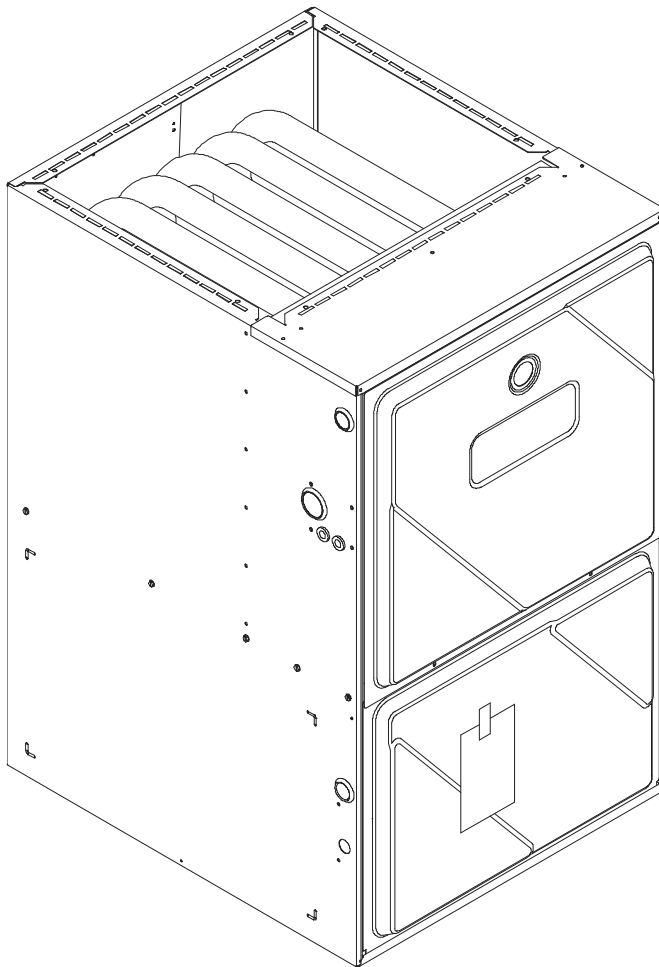


Models and manufacturing
numbers in this manual

GCCA045AX30	P1227601F
GCCA070AX30	P1227602F
GCCA070AX40	P1227603F
GCCA090AX40	P1227604F
GCCA090AX50	P1227605F
GCCA115AX50	P1227606F

Parts

GCCA Gas Furnace



This manual is to be used by qualified appliance technicians only. Amana does not assume any responsibility for property damage or personal injury for improper service procedures done by an unqualified person.

Amana

RP6610017
Revision 0
October 1998

Important Information

Amana is not responsible for personal injury or property damage resulting from improper service. Review all service information before beginning repairs.

Warranty service must be performed by an authorized technician, using authorized factory parts. If service is required after the warranty expires, Amana also recommends contacting an authorized technician and using authorized factory parts. Locate an authorized technician by calling 800-NATLSVC (800-628-5782).

For assistance within the U.S.A. contact:

Consumer Affairs Department
Amana
2800 220th Trail
Amana IA 52204-0001
319-622-5511--Telephone
319-622-2977--Facsimile

For assistance outside the U.S.A. contact:

International Division
Amana
2800 220th Trail
Amana IA 52204-0001
USA
319-622-5511--Telephone
319-622-8595--Facsimile

Index

Functional Parts List 5
Illustration and Parts 6 - 15

Views shown are for parts illustrations only, not servicing procedures.

Text Codes:

- AR - As Required
- 0000 - Not Shown
- QTY - Quantity Example (QTY 3) (If Quantity not shown, Quantity = 1)
- M - Model Example (M1) (If M Code not shown, then part is used on all Models)

Expanded Model and Color Nomenclature:

Example	
M1 - Model#1	P _____
M2 - Model#2	P _____
M3 - Model#3	P _____

Functional Parts

Part

No: Description:

10735102	BECKETT BURNER (QTY AR)
20190601	BLOWER-I.D.
D6879740	CAPACITOR (M6)
D6859332	CAPACITOR (M1, M5)
D6879746	CAPACITOR (M2, M3, M4)
11184504	CONTROL-IGNT
10735201	FLAME-SENSOR
20200908	HARNESS-WIRING (CIRCULATOR BLOWER)
20200906	HARNESS-WIRING (MAIN)
20165702	IGNITOR
20162904	LIMIT (M4)
20162906	LIMIT (M1, M2, M3, M5)
20162907	LIMIT (M6)
10123517	LIMIT (M1, M2, M3, M6) (QTY AR)
10123518	LIMIT-RESET MAN (M3, M5) (QTY 2)
10123515	LIMIT-RESET MAN (M4, M5) (QTY 2)
10123519	LIMIT-RESET MAN (M1, M2, M4, M6) (QTY 2)
10759309	MOTOR BLOWER 1/2 HP (M3, M4)
10759308	MOTOR BLOWER 1/2 HP (M2)
10759411	MOTOR-BLOW 3/4 HP (M5)
10759211	MOTOR-BLOWER 1/3 HP (M1)
10759412	MOTOR-BLOWER 3/4 HP (M6)
10716003	ORIFICE (QTY AR)
10690401	SWITCH-INTERLOCK
20197306	SWITCH-PRESSURE (QTY 2)
C6349703	TRANSFORMER
C6476907	VALVE-GAS

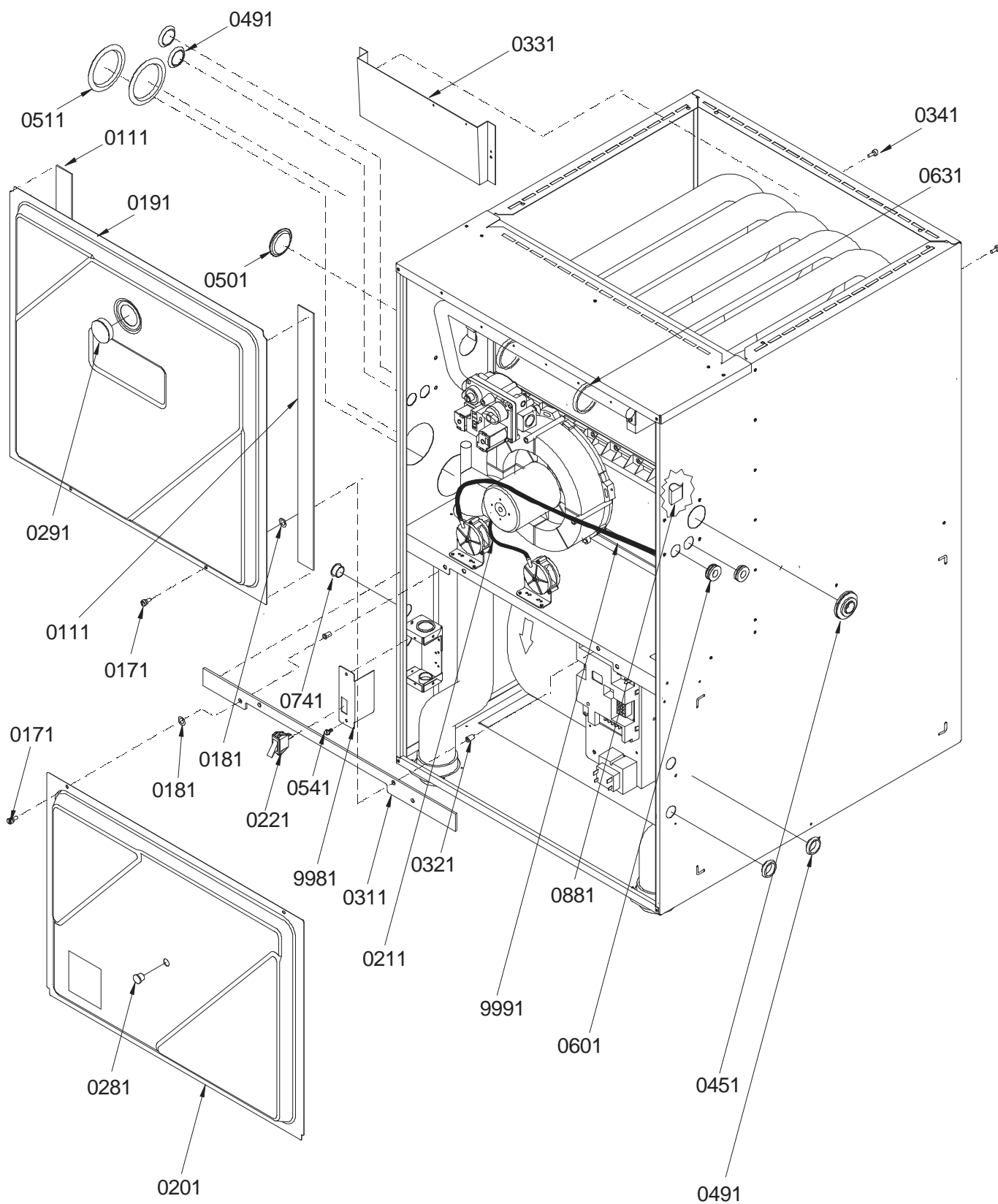
SPECIAL PARTS

11067349	INSTR-HI ALT FR
11067345	INSTR-INSTALL FR
11067348	INSTR-LP FR
10318721	INSTRUCT-INSTALL
RP6610017	MANUAL-PARTS
10318816	MANUAL-USERS
11067346	MANUAL-USERS FR
10195510	STNDPIPE BAG ASSY

Expanded Model and Color Nomenclature

M1 - GCCA045AX30	P1227601F
M2 - GCCA070AX30	P1227602F
M3 - GCCA070AX40	P1227603F
M4 - GCCA090AX40	P1227604F
M5 - GCCA090AX50	P1227605F
M6 - GCCA115AX50	P1227606F

Cabinet Assembly and Blower Mounting



Cabinet Assembly and Blower Mounting

Ref. Part No: No:	Description:	Ref. Part No: No:	Description:
<i>Image 1</i>			
0000 10368501	RAIL-FILTER		
0000 10261301	SCREEN-VENT		
0000 10261302	SCREEN-VENT		
0000 M0216716	SCREW-SM (QTY AR)		
0111 20179308	GASKET (QTY 2)		
0171 M0209716	SCREW-DECORATIVE (QTY AR)		
0181 M0273904	RETAINER-SCREW (QTY AR)		
0191 20240102	ACCESS DOOR-PNT (M1, M2)		
0191 20240104	ACCESS DOOR-PNT (M3, M4)		
0191 20240106	ACCESS DOOR-PNT (M5, M6)		
0201 20240202	BLOWER DOOR-PNT (M1, M2)		
0201 20240204	BLOWER DOOR-PNT (M3, M4)		
0201 20240206	BLOWER DOOR-PNT (M5, M6)		
0211 B1410311	HOSE-PRESSURE SW		
0221 10690401	SWITCH-INTERLOCK		
0281 11104001	SNAP-BUSHING CLR		
0291 11104002	SNAP-BUSHING CLR		
0311 20214101	GASKET-DECK (M1, M2)		
0311 20214102	GASKET-DECK (M3, M4)		
0311 20214103	GASKET-DECK (M5, M6)		
0321 M0294801	INSERT-KNURLED (QTY AR)		
0331 11165107	SHIELD ID BLOWER		
0341 M0219918	SCREW-SM (QTY AR)		
0451 M0501301	GROMMET-PIPE		
0491 M0570804	PLUG-BUTTON (QTY AR)		
0501 M0570802	PLUG-BUTTON		
0511 M0570803	PLUG-BUTTON (QTY AR)		
0541 M0216716	SCREW-SM (QTY AR)		
0601 A4691701	GROMMET (QTY AR)		
0631 M0321202	TIE-ELEC LG (QTY AR)		
0741 M0571002	BUSHING-SNAP (QTY AR)		
0881 M0104102	CLIP-CORD		
9981 10736202	COVER-HV BOX		
9991 B1410316	HOSE PRESSURE SW (M5, M6)		
9991 B1410301	HOSE-PRESSURE SW (M1, M2)		
9991 B1410304	HOSE-PRESSURE SW (M3, M4)		

Expanded Model and Color Nomenclature

M1 - GCCA045AX30	P1227601F
M2 - GCCA070AX30	P1227602F
M3 - GCCA070AX40	P1227603F
M4 - GCCA090AX40	P1227604F
M5 - GCCA090AX50	P1227605F
M6 - GCCA115AX50	P1227606F

Blower Assembly

Image 1

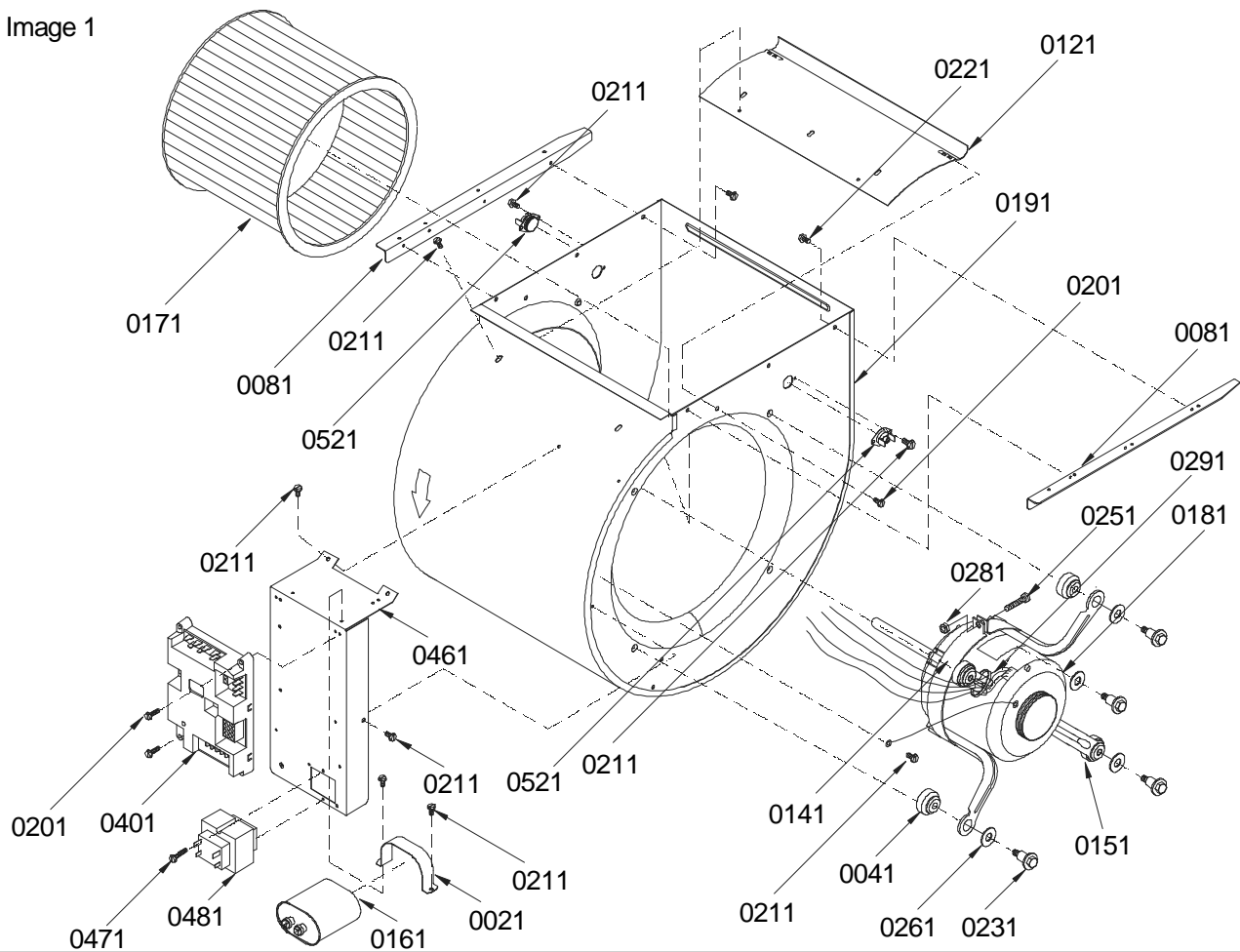
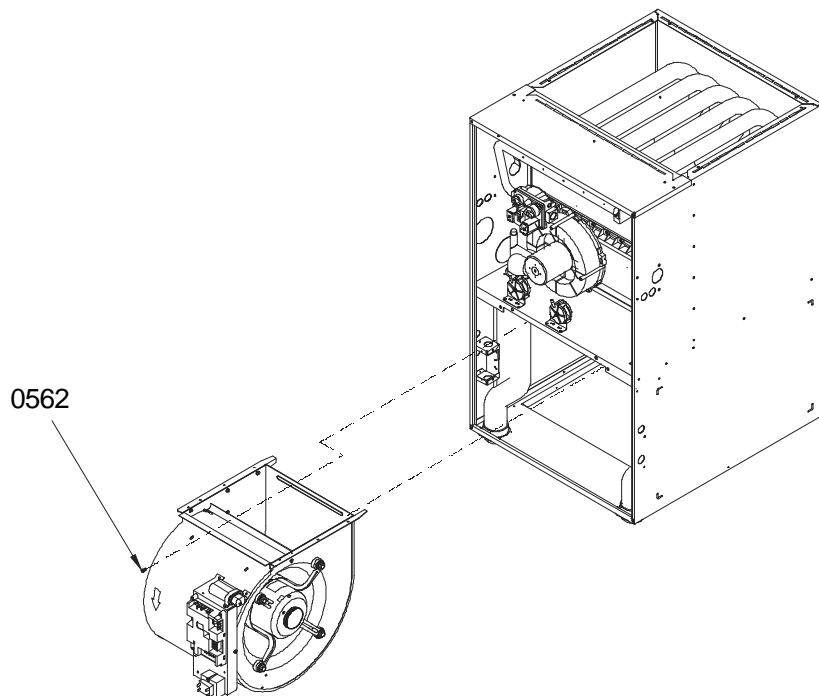


Image 2



Blower Assembly

Ref. Part No:	Ref. Part No:	Description:	Description:
<i>Image 1</i>			
0000	M0233716	SCREW-SD (QTY AR)	
0021	A3410501	STRAP-CAPACITOR (M2, M3, M4, M6)	
0021	A4055402	STRAP-CAPACITOR (M1, M5)	
0041	A4002701	GROMMET (QTY AR)	
0081	20175101	RAIL-BLWR SIDE (QTY 2)	
0121	C6121803	CUTOFF (M1, M2)	
0121	C6121806	CUTOFF (M3, M4)	
0121	C6121811	CUTOFF (M5, M6)	
0141	10441601	BAND-MTR MOUNT	
0151	10441501	ARM-MTR MOUNT (QTY 4)	
0161	D6859332	CAPACITOR (M1, M5)	
0161	D6879740	CAPACITOR (M6)	
0161	D6879746	CAPACITOR (M2, M3, M4)	
0171	D6723311	WHEEL-BLOWER (M6)	
0171	D6723319	WHEEL-BLOWER (M2)	
0171	D6723320	WHEEL-BLOWER (M3, M4, M5)	
0171	D6723321	WHEEL-BLOWER (M1)	
0181	10759308	MOTOR BLOWER 1/2 HP (M2)	
0181	10759309	MOTOR BLOWER 1/2 HP (M3, M4)	
0181	10759411	MOTOR-BLOW 3/4 HP (M5)	
0181	10759211	MOTOR-BLOWER 1/3 HP (M1)	
0181	10759412	MOTOR-BLOWER 3/4 HP (M6)	
0191	11185811	HOUSING WELD 11X10 (M5, M6)	
0191	11185809	HOUSING WELD 11X7 (M1, M2)	
0191	11185810	HOUSING WELD 11X9 (M3, M4)	
0201	M0211020	SCREW-SM (QTY AR)	
0211	M0219916	SCREW-SM (QTY AR)	
0221	M0253516	SCREW-TR (QTY AR)	
0231	M0221461	SCREW-TC (QTY AR)	
0251	M0267144	SCREW-MACH	
0261	M0274008	WASHER-FLAT (QTY AR)	
0281	M0282015	NUT-KEPS	
0291	M0321202	TIE-ELEC LG	
0401	11184504	CONTROL-IGNT	
0461	10746204	BRKT-CONTROL	
0471	M0216536	SCREW-SM (QTY AR)	
0481	C6349703	TRANSFORMER	
0521	10123518	LIMIT-RESET MAN (M3, M5) (QTY 2)	
0521	10123519	LIMIT-RESET MAN (M1, M2, M4, M6) (QTY 2)	

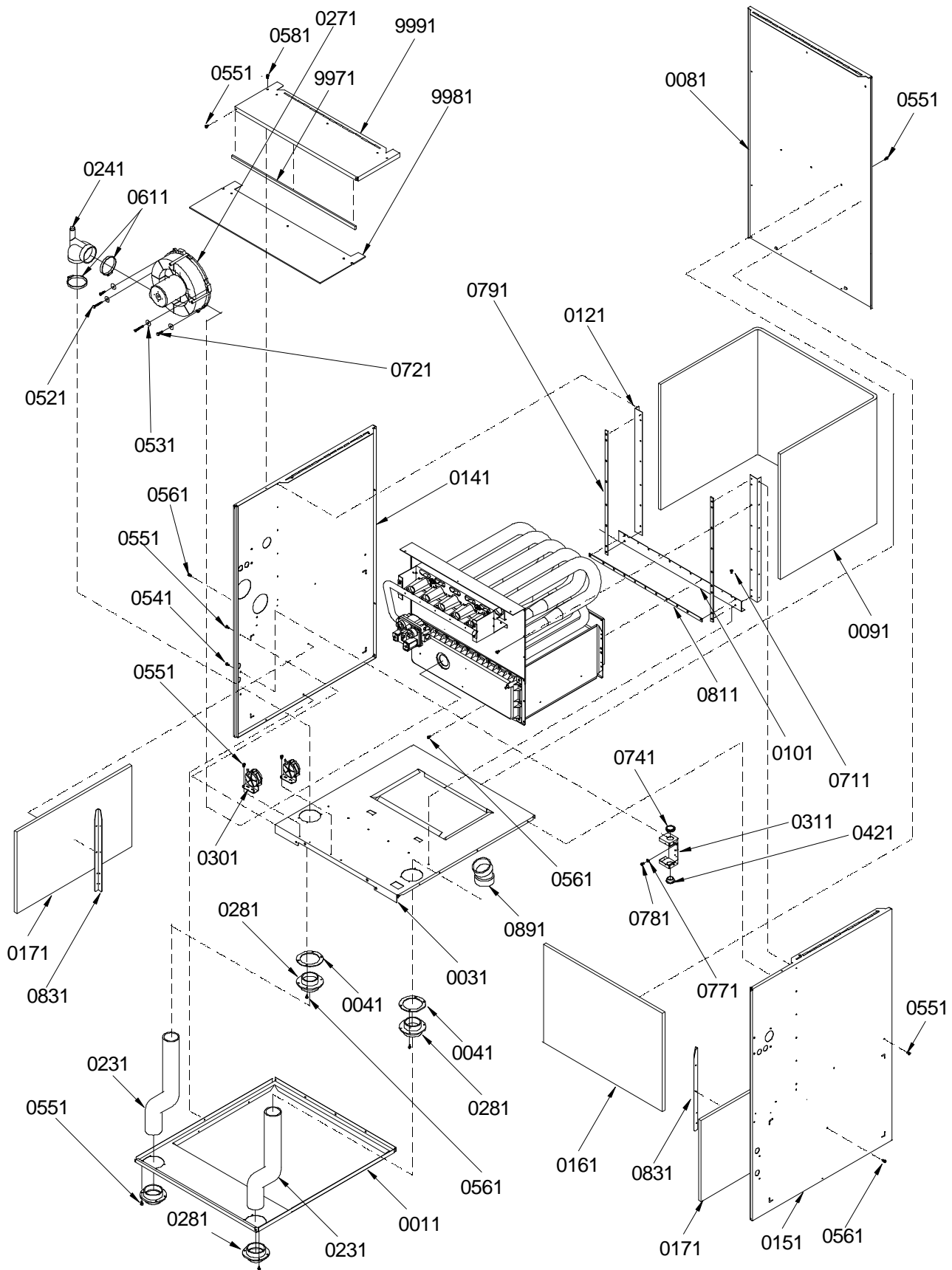
Image 2

0562	M0219918	SCREW-SM (QTY AR)
------	----------	-------------------

Expanded Model and Color Nomenclature

M1 - GCCA045AX30	P1227601F
M2 - GCCA070AX30	P1227602F
M3 - GCCA070AX40	P1227603F
M4 - GCCA090AX40	P1227604F
M5 - GCCA090AX50	P1227605F
M6 - GCCA115AX50	P1227606F

Cabinet Assembly



Cabinet Assembly

Ref. Part No: No:	Description:	Ref. Part No: No:	Description:
<i>Image 1</i>		9981 20192701	INSULATION (M1, M2)
0011 20239102	BASEPAN CF-PNT (M1, M2)	9981 20192702	INSULATION (M3, M4)
0011 20239104	BASEPAN CF-PNT (M3, M4)	9981 20192703	INSULATION (M5, M6)
0011 20239106	BASEPAN CF-PNT (M5, M6)	9991 20239308	COVER CF-PNT (M1, M2)
0031 20190207	DECK-BLOWER CF (M1, M2)	9991 20239310	COVER CF-PNT (M3, M4)
0031 20190208	DECK-BLOWER CF (M3, M4)	9991 20239312	COVER CF-PNT (M5, M6)
0031 20190209	DECK-BLOWER CF (M5, M6)		
0041 20215701	GASKET-COIL (M1, M2) (QTY 2)	Expanded Model and Color Nomenclature	
0041 20215702	GASKET-COIL (M3, M4) (QTY 2)	M1 - GCCA045AX30	P1227601F
0041 20215703	GASKET-COIL (M5, M6) (QTY 2)	M2 - GCCA070AX30	P1227602F
0081 20239208	BACK PANEL-PNT (M1, M2)	M3 - GCCA070AX40	P1227603F
0081 20239210	BACK PANEL-PNT (M3, M4)	M4 - GCCA090AX40	P1227604F
0081 20239212	BACK PANEL-PNT (M5, M6)	M5 - GCCA090AX50	P1227605F
0091 C6415907	INSUL-HT EX (M1, M2)	M6 - GCCA115AX50	P1227606F
0091 C6415908	INSUL-HT EX (M3, M4)		
0091 C6415909	INSUL-HT EX (M5, M6)		
0101 20191301	RAIL-DECK (M1, M2)		
0101 20191302	RAIL-DECK (M3, M4)		
0101 20191303	RAIL-DECK (M5, M6)		
0121 20191601	RAIL-SIDE (QTY 2)		
0141 20240404	L SIDE PANEL-PNT		
0151 20240304	R SIDE PANEL-PNT		
0161 20006601	INSULATION (M1, M2)		
0161 20006602	INSULATION (M3, M4)		
0161 20006603	INSULATION (M5, M6)		
0171 20006604	INSULATION-SIDE (QTY 2)		
0231 20190504	PIPE-FLUE FA (QTY 2)		
0241 20171801	ELBOW		
0271 20190601	BLOWER-I.D.		
0281 20049701	COUPLING-FA (QTY 4)		
0301 20197306	SWITCH-PRESSURE (QTY 2)		
0311 10736102	BOX-HIGH VOLTAGE		
0421 A4554801	BUSHING-SNAP		
0521 M0218154	SCREW-SM (QTY AR)		
0531 M0270544	WASHER-FLAT (QTY AR)		
0541 M0216716	SCREW-SM (QTY AR)		
0551 M0219916	SCREW-SM (QTY AR)		
0561 M0219918	SCREW-SM (QTY AR)		
0581 M0211530	SCREW-SM (QTY AR)		
0611 A3326008	CLAMP-HOSE (QTY AR)		
0711 M0216714	SCREW-SM (QTY AR)		
0721 M0218153	SCREW-SM (QTY AR)		
0741 M0571002	BUSHING-SNAP (QTY AR)		
0771 M0270001	WASHER-CUP		
0781 M0227803	SCREW-TC		
0791 20194604	GASKET (QTY 2)		
0811 20194601	GASKET (M1, M2)		
0811 20194602	GASKET (M3, M4)		
0811 20194603	GASKET (M5, M6)		
0831 20175101	RAIL-BLWR SIDE (QTY 2)		
0891 C6455901	ELBOW-22 1/2 ELL		
9971 20179305	GASKET (M1, M2)		
9971 20179306	GASKET (M3, M4)		
9971 20179307	GASKET (M5, M6)		

Heat Exchanger/Manifold Assembly

Image 1

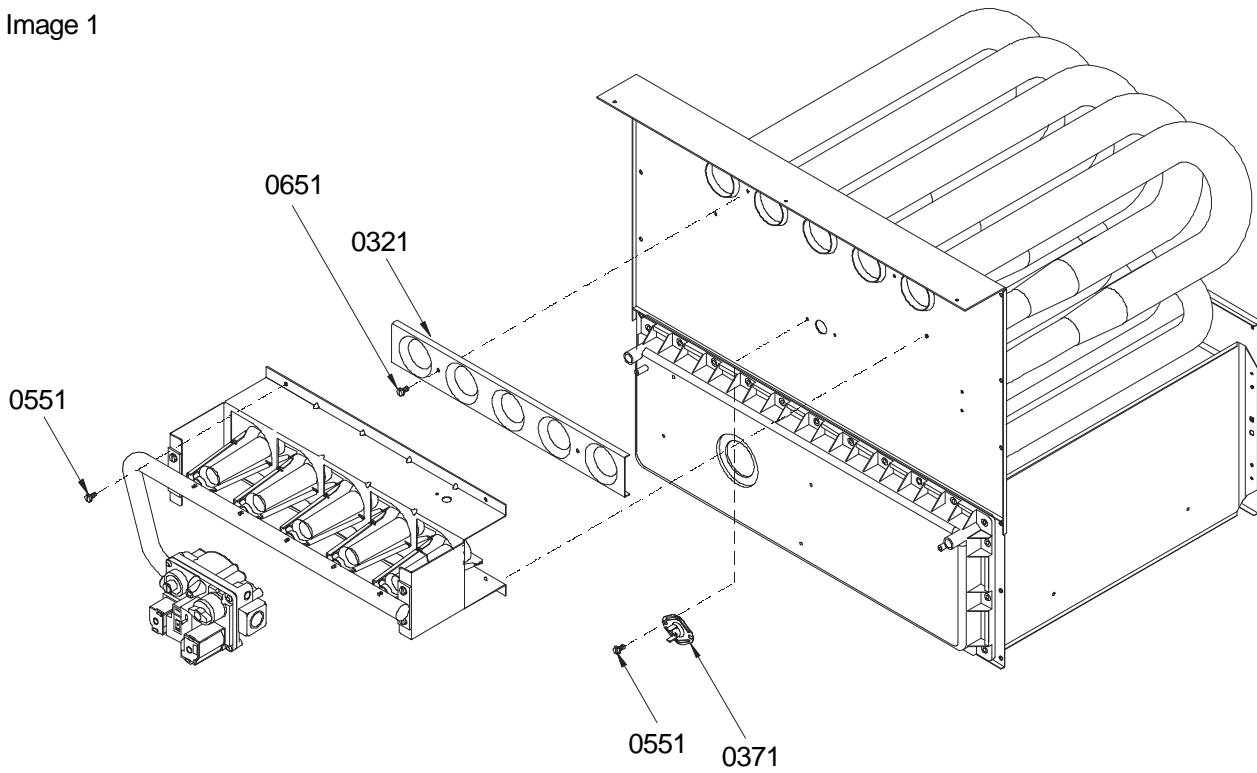
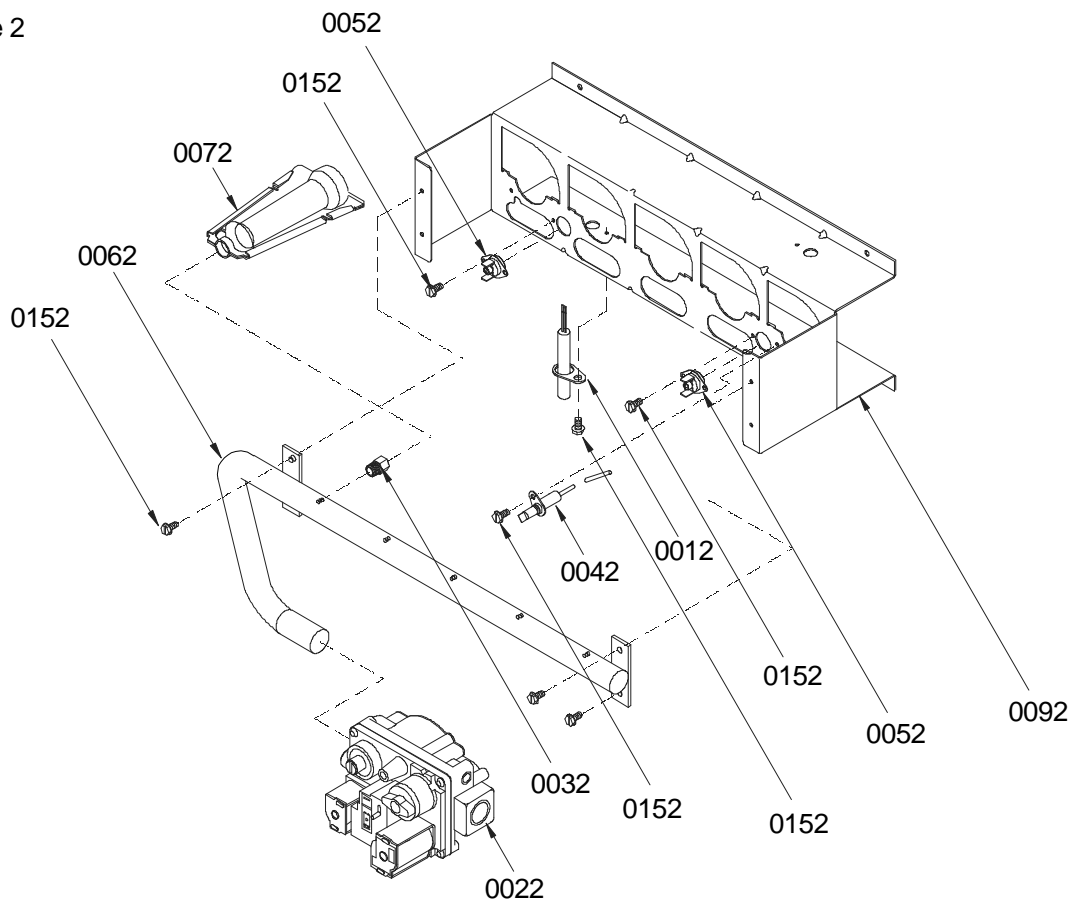


Image 2



Heat Exchanger/Manifold Assembly

Ref. Part No: No:	Description:	Ref. Part No: No:	Description:
-------------------	--------------	-------------------	--------------

Image 1

0151	M0219916	SCREW-SM (QTY AR)
0321	11072201	SHIELD-ORIFICE (M1)
0321	11072202	SHIELD-ORIFICE (M2, M3)
0321	11072203	SHIELD-ORIFICE (M4, M5)
0321	11072204	SHIELD-ORIFICE (M6)
0371	20162904	LIMIT (M4)
0371	20162906	LIMIT (M1, M2, M3, M5)
0371	20162907	LIMIT (M6)
0551	M0219916	SCREW-SM (QTY AR)
0651	M0211020	SCREW-SM (QTY AR)

Image 2

0012	20165702	IGNITOR
0022	C6476907	VALVE-GAS
0032	10716003	ORIFICE (QTY AR)
0042	10735201	FLAME-SENSOR
0052	10123517	LIMIT (M1, M2, M3, M6) (QTY AR)
0052	10123515	LIMIT-RESET MAN (M4, M5) (QTY 2)
0062	20196401	MANIFOLD (M1)
0062	20196402	MANIFOLD (M2, M3)
0062	20196403	MANIFOLD (M4, M5)
0062	20196404	MANIFOLD (M6)
0072	10735102	BECKETT BURNER (QTY AR)
0092	20190401	BRKT-BURNER (M1)
0092	20190402	BRKT-BURNER (M2, M3)
0092	20190403	BRKT-BURNER (M4, M5)
0092	20190404	BRKT-BURNER (M6)
0152	M0219916	SCREW-SM (QTY AR)

Expanded Model and Color Nomenclature

M1 - GCCA045AX30	P1227601F
M2 - GCCA070AX30	P1227602F
M3 - GCCA070AX40	P1227603F
M4 - GCCA090AX40	P1227604F
M5 - GCCA090AX50	P1227605F
M6 - GCCA115AX50	P1227606F

Recupe Coil Assembly

Image 1

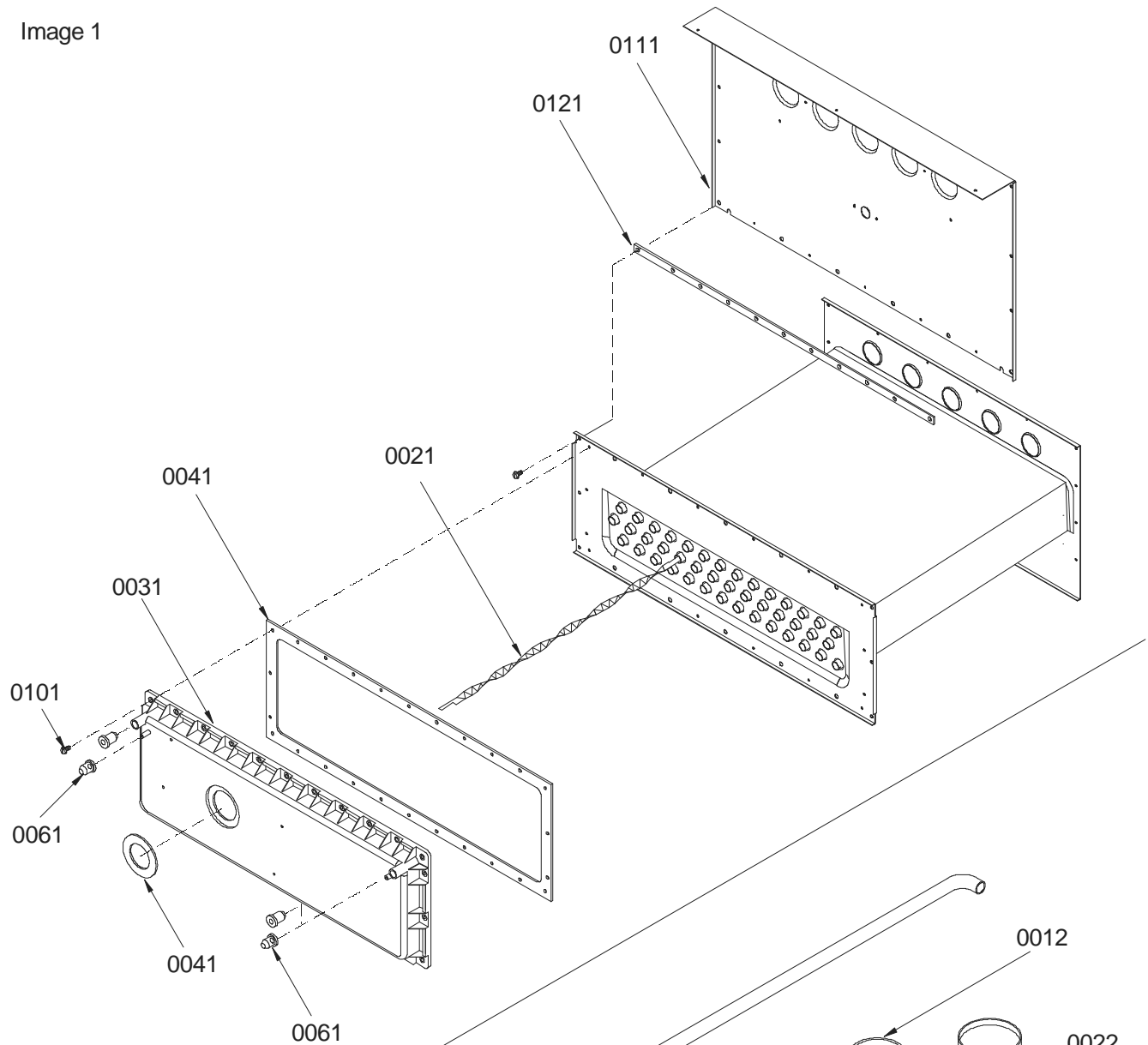
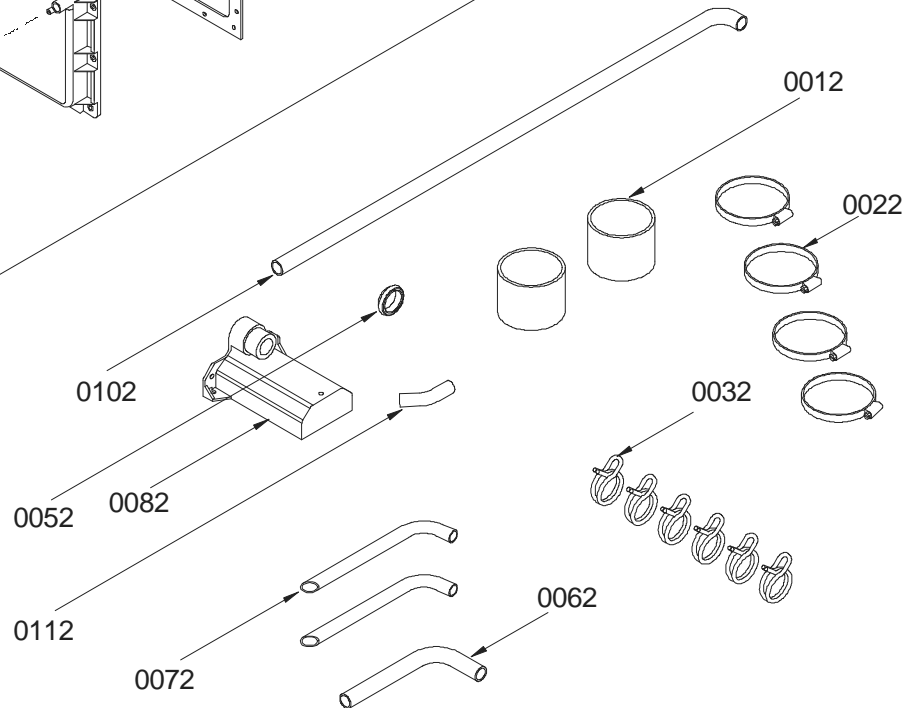


Image 2



Recupe Coil Assembly

Ref. Part No: No:	Description:	Ref. Part No: No:	Description:
-------------------	--------------	-------------------	--------------

Image 1

0021 11086005	TURBULATOR (QTY AR)
0031 20170801	COVER-FRONT (M1)
0031 20170802	COVER-FRONT (M2)
0031 20170901	COVER-FRONT (M3)
0031 20170902	COVER-FRONT (M4)
0031 20171001	COVER-FRONT (M5)
0031 20171002	COVER-FRONT (M6)
0041 20215701	GASKET-COIL (M1, M2)
0041 20215702	GASKET-COIL (M3, M4)
0041 20215703	GASKET-COIL (M5, M6)
0061 M0326804	PLUG-TUBE (QTY AR)
0101 M0211031	SCREW-SM (QTY AR)
0111 20191401	PANEL-PART 2B (M1)
0111 20191402	PANEL-PART 3B (M2)
0111 20191403	PANEL-PART 3B (M3)
0111 20191404	PANEL-PART 4B (M4)
0111 20191405	PANEL-PART 4B (M5)
0111 20191406	PANEL-PART 5B (M6)
0121 20194601	GASKET (M1, M2)
0121 20194602	GASKET (M3, M4)
0121 20194603	GASKET (M5, M6)

Image 2

0000 M0570803	PLUG-BUTTON (QTY AR)
0012 10254303	COUPLING-RUBBER (QTY 2)
0022 A3326008	CLAMP-HOSE (QTY AR)
0032 M0119207	CLAMP-HOSE (QTY AR)
0052 M0570804	PLUG-BUTTON
0062 20201901	HOSE-DRAIN
0072 20201801	TUBE-DRAIN (QTY 2)
0082 20171701	DRAIN TRAP
0102 20201902	HOSE-DRAIN
0112 20214201	DRAIN-ANGLE

Expanded Model and Color Nomenclature

M1 - GCCA045AX30	P1227601F
M2 - GCCA070AX30	P1227602F
M3 - GCCA070AX40	P1227603F
M4 - GCCA090AX40	P1227604F
M5 - GCCA090AX50	P1227605F
M6 - GCCA115AX50	P1227606F