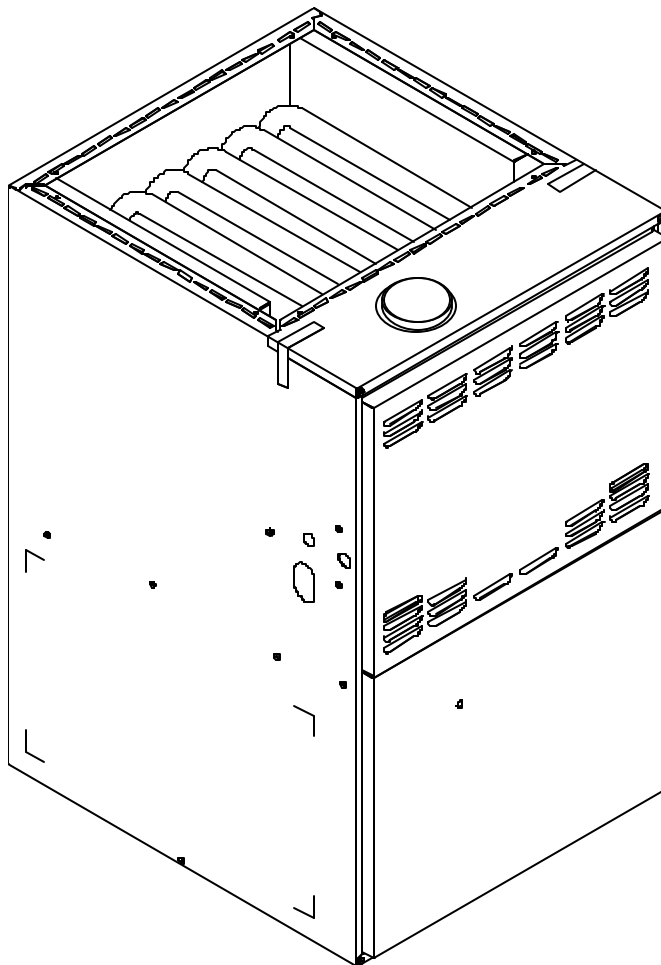


Parts

GUID Gas Furnace

This manual replaces RP6620025 Revision 1.



Models and manufacturing numbers in this manual

GUID045CA30	P1229501F
GUID045CX30	P1229701F
GUID045DA30	P1226901F
GUID045DX30	P1227001F
GUID070CA30	P1229502F
GUID070CA40	P1229503F
GUID070CX30	P1229702F
GUID070CX40	P1229703F
GUID070DA30	P1226902F
GUID070DA40	P1226903F
GUID070DA40	P1226909F
GUID070DX30	P1227002F
GUID070DX40	P1227003F
GUID070DX40	P1227009F
GUID090CA30	P1229504F
GUID090CA50	P1229505F
GUID090CX30	P1229704F
GUID090CX50	P1229705F
GUID090DA30	P1226904F
GUID090DA50	P1226905F
GUID090DA50	P1226910F
GUID090DX30	P1227004F
GUID090DX50	P1227005F
GUID090DX50	P1227010F
GUID115CA50	P1229507F
GUID115CX50	P1229707F
GUID115DA50	P1226907F
GUID115DA50	P1226911F
GUID115DX50	P1227007F
GUID115DX50	P1227011F

This manual is to be used by qualified appliance technicians only. Amana does not assume any responsibility for property damage or personal injury for improper service procedures done by an unqualified person.

Amana

RP6620025
Revision 2
April 2000

Important Information

Amana is not responsible for personal injury or property damage resulting from improper service. Review all service information before beginning repairs.

Warranty service must be performed by an authorized technician, using authorized factory parts. If service is required after the warranty expires, Amana also recommends contacting an authorized technician and using authorized factory parts. Locate an authorized technician by calling 800-NATLSVC (800-628-5782).

For assistance within the U.S.A. contact:

Consumer Affairs Department
Amana
2800 220th Trail
Amana IA 52204-0001
319-622-5511--Telephone
319-622-2977--Facsimile

For assistance outside the U.S.A. contact:

International Division
Amana
2800 220th Trail
Amana IA 52204-0001
USA
319-622-5511--Telephone
319-622-8595--Facsimile

Index

Functional Parts List	4 - 5
Illustration and Parts	6 - 15

Views shown are for parts illustrations only, not servicing procedures.

Revision 1: Added Mfg number(Model) P1229501F(GUID045CA30), P1229502F(GUID070CA30), P1229503F(GUID070CA40), P1229504F(GUID090CA30), P1229505F(GUID090CA50), P1229507F(GUID115CA50), P1229701F(GUID045CX30), P1229702F(GUID070CX30), P1229703F(GUID070CX40), P1229704F(GUID090CX30), P1229705F(GUID090CX50) and P1229707F(GUID115CX50).

Text Codes:

AR - As Required

NA - Not Available

NS - Not Shown

00000000 - See Note

QTY - Quantity Example (QTY 3) (If Quantity not shown, Quantity = 1)

M - Model Example (M1) (If M Code not shown, then part is used on all Models)

Expanded Model and Color Nomenclature:

Example	
M1 - Model#1	P _____
M2 - Model#2	P _____
M3 - Model#3	P _____

Functional Parts

Part

No: Description:

10735102	BECKETT BRNR (QTY AR)
20044401	BLOWER-ID
10099901	CAPACITOR (M2, M11, M20, M26)
D6879739	CAPACITOR (M4, M13, M22, M28)
D6879746	CAPACITOR (M5, M6, M14, M15)
D6859325	CAPACITOR (M1, M3, M7, M10, M12, M16, M19, M21, M25, M27)
D6879740	CAPACITOR (M8, M9, M17, M18, M23, M24, M29, M30)
10207709	CONTROL-INTEG
10735201	FLAME-SENSOR
11135203	HARNESS-WIRING
10735002	IGNITOR
10728338	LIMIT (PRIMARY) (M7, M16, M21, M27)
10728304	LIMIT (PRIMARY) (M6, M9, M15, M18)
10728326	LIMIT (PRIMARY) (M2, M11, M20, M26)
10728325	LIMIT (PRIMARY) (M3, M12)
10728331	LIMIT (PRIMARY) (M4, M5, M8, M13, M14, M17, M22, M23, M28, M29)
10728322	LIMIT (PRIMARY) (M1, M10, M19, M25)
10123525	LIMIT-RESET MAN (AUXILIARY)
10123529	LIMIT-RESET MAN (ROLLOUT) (M2, M3, M4, M5, M6, M7, M8, M9, M11, M12, M13, M14, M15, M16, M17, M18, M20, M21, M22, M23, M24, M26, M27, M28, M29, M30)
10123530	LIMIT-RESET MAN (ROLLOUT) (M1, M10, M19, M25)
20046603	MOTOR BLOW 1/2 HP (M3, M12)
20046604	MOTOR BLOW 1/3 HP (M1, M10, M19, M25)
20046602	MOTOR BLOW 1/3 HP (M2, M11, M20, M26)
20046613	MOTOR BLOW 3/4 HP (M9, M18, M24, M30)
20046606	MOTOR-BLOW 1/2 HP (M7, M16, M21, M27)
10759406	MOTOR-BLOW 1/2 HP (M5, M14)
20046609	MOTOR-BLOW 1/2 HP (M4, M13, M22, M28)
10759407	MOTOR-BLOW 3/4 HP (M6, M15)
10716003	ORIFICE (QTY AR)
10690401	SWITCH-INTERLOCK
10727920	SWITCH-PRESSURE
C6349703	TRANSFORMER
C6476907	VALVE-GAS

Functional Parts

Part

No: Description:

SPECIAL PARTS

11067325	INSTR-HI ALT FR
11067376	INSTR-INSTALL FR
11067324	INSTR-LP FR
10759823	INSTRUCT-INSTALL (M7, M8, M9, M16, M17, M18)
10759826	INSTRUCT-INSTALL (M1, M2, M4, M10, M11, M13, M19, M20, M21, M22, M23, M24, M25, M26, M27, M28, M29, M30)
10759821	INSTRUCT-INSTALL (M3, M5, M6, M12, M14, M15)
RP6620025	MANUAL-PARTS
10759619	MANUAL-USERS (M1, M2, M4, M10, M11, M13, M19, M20, M21, M22, M23, M24, M25, M26, M27, M28, M29, M30)
10759614	MANUAL-USERS (M3, M5, M6, M7, M8, M9, M12, M14, M15, M16, M17, M18)
11067378	MANUAL-USERS FR
11110609	SPEC-SHEET (M3, M6, M14, M15)
11110614	SPEC-SHEET (M7, M8, M9, M16, M17, M18)

Expanded Model and Color Nomenclature

M1 - GUID045DA30	P1226901F
M2 - GUID070DA30	P1226902F
M3 - GUID070DA40	P1226903F
M4 - GUID090DA30	P1226904F
M5 - GUID090DA50	P1226905F
M6 - GUID115DA50	P1226907F
M7 - GUID070DA40	P1226909F
M8 - GUID090DA50	P1226910F
M9 - GUID115DA50	P1226911F
M10 - GUID045DX30	P1227001F
M11 - GUID070DX30	P1227002F
M12 - GUID070DX40	P1227003F
M13 - GUID090DX30	P1227004F
M14 - GUID090DX50	P1227005F
M15 - GUID115DX50	P1227007F
M16 - GUID070DX40	P1227009F
M17 - GUID090DX50	P1227010F
M18 - GUID115DX50	P1227011F
M19 - GUID045CA30	P1229501F
M20 - GUID070CA30	P1229502F
M21 - GUID070CA40	P1229503F
M22 - GUID090CA30	P1229504F
M23 - GUID090CA50	P1229505F
M24 - GUID115CA50	P1229507F
M25 - GUID045CX30	P1229701F
M26 - GUID070CX30	P1229702F
M27 - GUID070CX40	P1229703F
M28 - GUID090CX30	P1229704F
M29 - GUID090CX50	P1229705F
M30 - GUID115CX50	P1229707F

Front Panels and Manifold

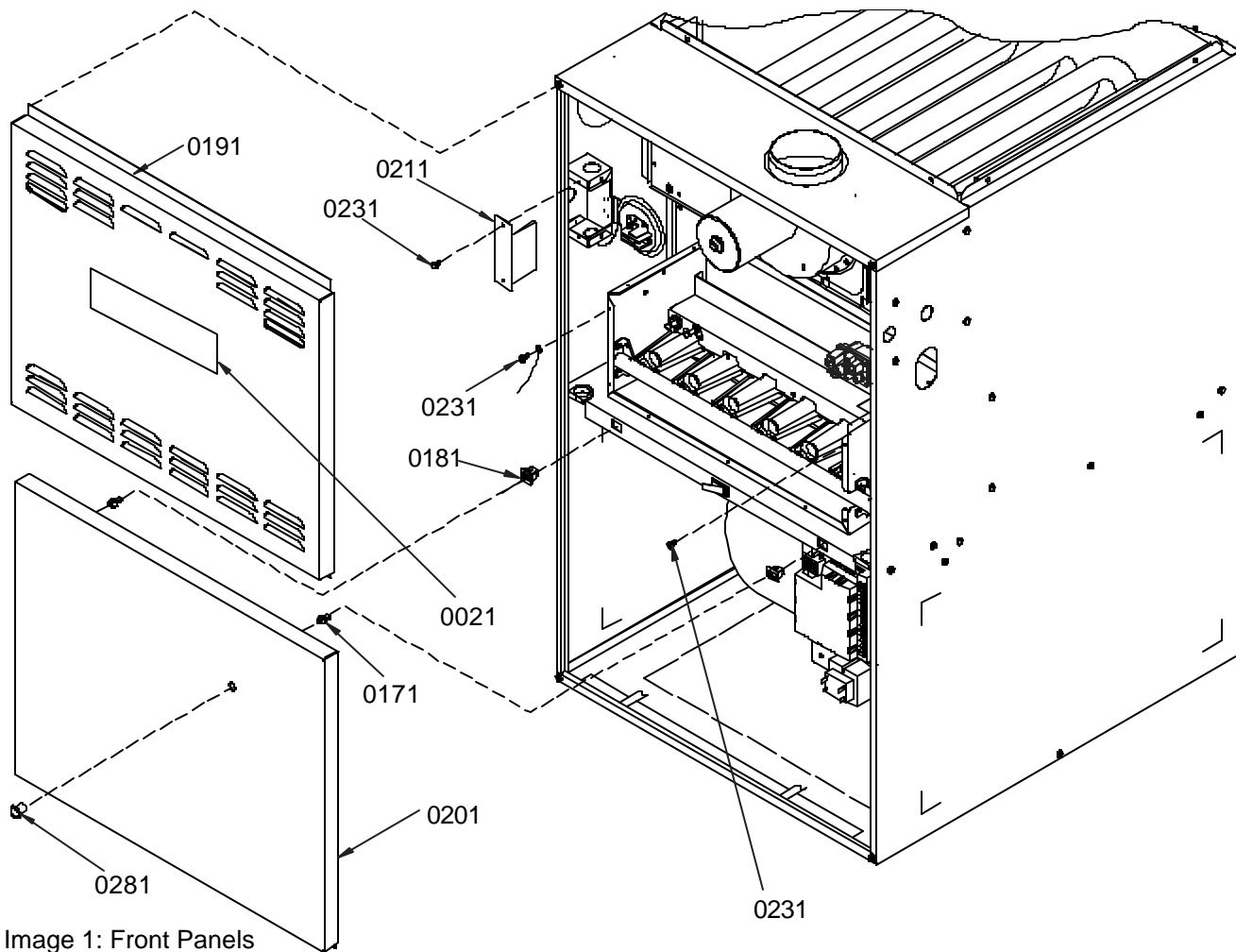
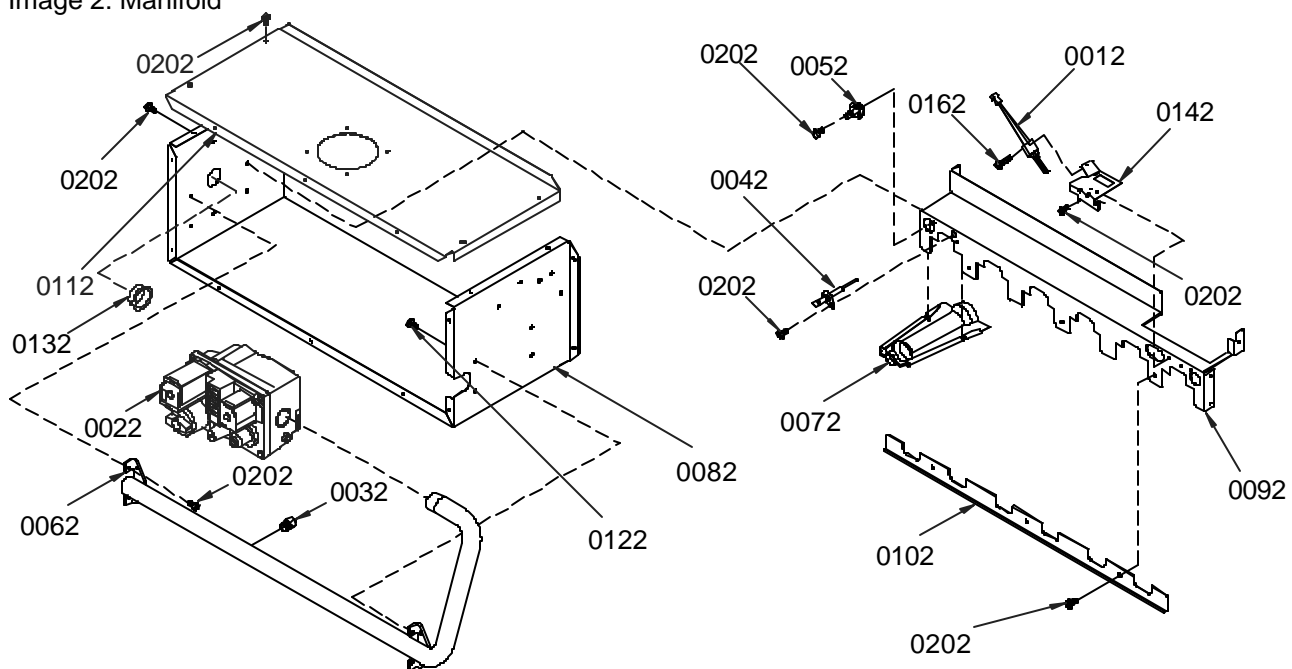


Image 1: Front Panels

Image 2: Manifold



Front Panels and Manifold

Ref Part

No:	Description:
<i>Image 1: Front Panels</i>	
0021 20213208	NAMEPLATE- AMANA
0171 10690101	STRIKE-DOOR (QTY 2)
0181 10690002	DOOR CATCH ASSY (QTY 2)
0191 20239702	DOOR-ACCESS PNT (M1, M2, M3, M7, M10, M11, M12, M16, M19, M20, M21, M25, M26, M27)
0191 20239704	DOOR-ACCESS PNT (M4, M5, M8, M13, M14, M17, M22, M23, M28, M29)
0191 20239706	DOOR-ACCESS PNT (M6, M9, M15, M18, M24, M30)
0201 20239604	BLOWER DOOR PNT (M4, M5, M8, M13, M14, M17, M22, M23, M28, M29)
0201 20239602	BLOWER DOOR-PNT (M1, M2, M3, M7, M10, M11, M12, M16, M19, M20, M21, M25, M26, M27)
0201 20239606	BLOWER DOOR-PNT (M6, M9, M15, M18, M24, M30)
0211 10736201	COVER-HV BOX
0231 M0216529	SCREW-SM (QTY 4)
0281 11104001	SNAP-BUSHING CLR

Image 2: Manifold

0012 10735002	IGNITOR
0022 C6476907	VALVE-GAS
0032 10716003	ORIFICE (QTY AR)
0042 10735201	FLAME-SENSOR
0052 10123529	LIMIT-RESET MAN (ROLLOUT) (M2, M3, M4, M5, M6, M7, M8, M9, M11, M12, M13, M14, M15, M16, M17, M18, M20, M21, M22, M23, M24, M26, M27, M28, M29, M30)
0052 10123530	LIMIT-RESET MAN (ROLLOUT) (M1, M10, M19, M25)
0062 10568801	MANIFOLD (M1, M10, M19, M25)
0062 10568802	MANIFOLD (M2, M3, M7, M11, M12, M16, M20, M21, M26, M27)
0062 10568803	MANIFOLD (M4, M5, M8, M13, M14, M17, M22, M23, M28, M29)
0062 10568804	MANIFOLD (M6, M9, M15, M18, M24, M30)
0072 10735102	BECKETT BRNR (QTY AR)
0082 10734410	BOX-BRNR (M1, M10, M19, M25)
0082 10734411	BOX-BRNR (M2, M3, M7, M11, M12, M16, M20, M21, M26, M27)
0082 10734412	BOX-BRNR (M4, M5, M8, M13, M14, M17, M22, M23, M28, M29)
0082 10734413	BOX-BRNR (M6, M9, M15, M18, M24, M30)
0092 11008101	BRKT-BRNR (M1, M10, M19, M25)
0092 11008102	BRKT-BRNR (M2, M3, M7, M11, M12, M16, M20, M21, M26, M27)
0092 11008103	BRKT-BRNR (M4, M5, M8, M13, M14, M17, M22, M23, M28, M29)
0092 11008104	BRKT-BRNR (M6, M9, M15, M18, M24, M30)
0102 10734701	BRKT-LOCK BRNR (M1, M10, M19, M25)
0102 10734702	BRKT-LOCK BRNR (M2, M3, M7, M11, M12, M16, M20, M21, M26, M27)
0102 10734703	BRKT-LOCK BRNR (M4, M5, M8, M13, M14, M17, M22, M23, M28, M29)
0102 10734704	BRKT-LOCK BRNR (M6, M9, M15, M18, M24, M30)
0112 10734501	TOP-BRNR BOX (M1, M10, M19, M25)
0112 10734503	TOP-BRNR BOX (M4, M5, M8, M13, M14, M17, M22, M23, M28, M29)

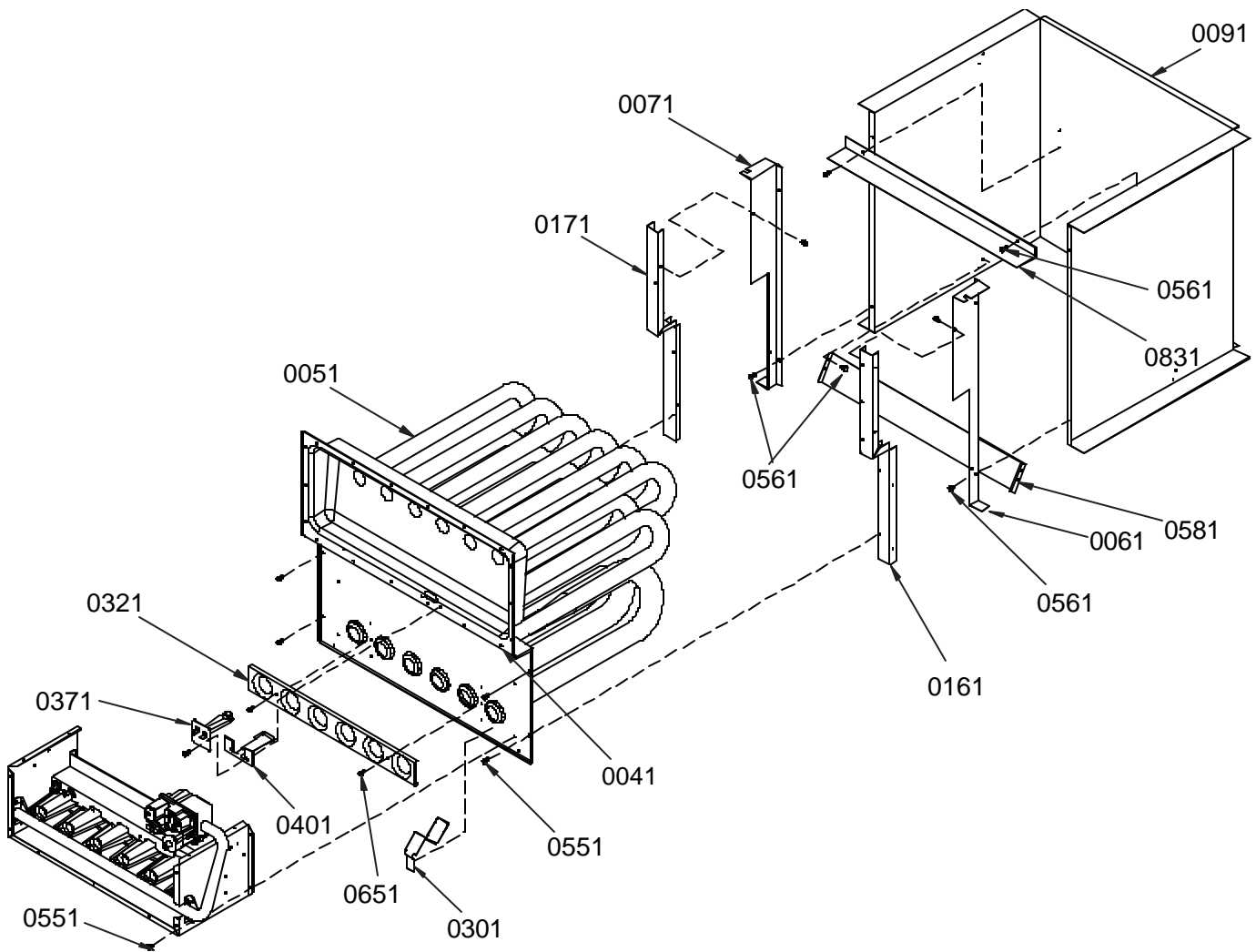
Ref. Part

No:	No:	Description:
0112	10734504	TOP-BRNR BOX (M6, M9, M15, M18, M24, M30)
0112	20177102	TOP-BRNR BOX (M2, M3, M7, M11, M12, M16, M20, M21, M26, M27)
0122	M0253516	SCREW-TR (QTY AR)
0132	A4554801	BUSHING-SNAP
0142	11008703	BRKT-SENSOR
0162	M0216519	SCREW-SM
0202	M0216529	SCREW-SM (QTY AR)

Expanded Model and Color Nomenclature

M1 - GUID045DA30	P1226901F
M2 - GUID070DA30	P1226902F
M3 - GUID070DA40	P1226903F
M4 - GUID090DA30	P1226904F
M5 - GUID090DA50	P1226905F
M6 - GUID115DA50	P1226907F
M7 - GUID070DA40	P1226909F
M8 - GUID090DA50	P1226910F
M9 - GUID115DA50	P1226911F
M10 - GUID045DX30	P1227001F
M11 - GUID070DX30	P1227002F
M12 - GUID070DX40	P1227003F
M13 - GUID090DX30	P1227004F
M14 - GUID090DX50	P1227005F
M15 - GUID115DX50	P1227007F
M16 - GUID070DX40	P1227009F
M17 - GUID090DX50	P1227010F
M18 - GUID115DX50	P1227011F
M19 - GUID045CA30	P1229501F
M20 - GUID070CA30	P1229502F
M21 - GUID070CA40	P1229503F
M22 - GUID090CA30	P1229504F
M23 - GUID090CA50	P1229505F
M24 - GUID115CA50	P1229507F
M25 - GUID045CX30	P1229701F
M26 - GUID070CX30	P1229702F
M27 - GUID070CX40	P1229703F
M28 - GUID090CX30	P1229704F
M29 - GUID090CX50	P1229705F
M30 - GUID115CX50	P1229707F

Partition Tube and Collector Box



Partition Tube and Collector Box

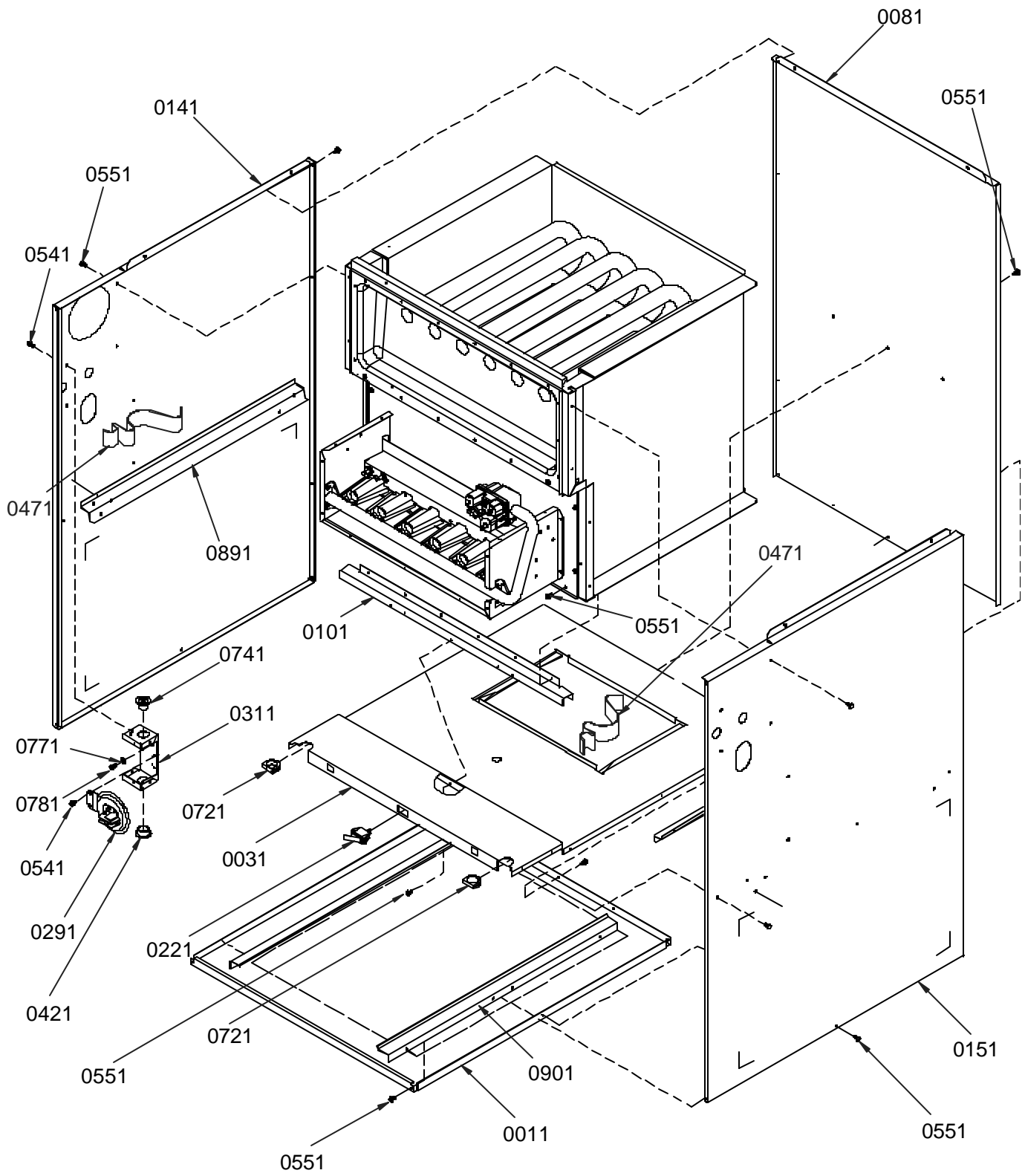
Ref Part No:	Description:
<i>Image 1:</i>	
0041 M0211021	SCREW-SM (QTY AR)
0051 11113105	PART/TUBE ASSY 2B (M1, M10, M19, M25)
0051 11113106	PART/TUBE ASSY 3B (M2, M3, M7, M11, M12, M16, M20, M21, M26, M27)
0051 11113107	PART/TUBE ASSY 4B (M4, M5, M8, M13, M14, M17, M22, M23, M28, M29)
0051 11113108	PART/TUBE ASSY 5B (M6, M9, M15, M18, M24, M30)
0061 10728601	BRKT-LINER MTG
0071 10728602	BRKT-LINER MTG
0091 10728707	LINER-CABINET (M1, M10, M19, M25)
0091 10728708	LINER-CABINET (M2, M3, M7, M11, M12, M16, M20, M21, M26, M27)
0091 10728709	LINER-CABINET (M4, M5, M8, M13, M14, M17, M22, M23, M28, M29)
0091 10728710	LINER-CABINET (M6, M9, M15, M18, M24, M30)
0161 10728503	RAIL-PART PANEL
0171 10728504	RAIL-PART PANEL
0301 10624002	INSERT-MESH TUBE (M10, M11, M12, M13, M14, M15, M16, M17, M18, M25, M26, M27, M28, M29, M30) (QTY AR)
0321 11072201	SHIELD-ORIFICE (M1, M10, M19, M25)
0321 11072202	SHIELD-ORIFICE (M2, M3, M7, M11, M12, M16, M20, M21, M26, M27)
0321 11072203	SHIELD-ORIFICE (M4, M5, M8, M13, M14, M17, M22, M23, M28, M29)
0321 11072204	SHIELD-ORIFICE (M6, M9, M15, M18, M24, M30)
0371 10728304	LIMIT (PRIMARY) (M6, M9, M15, M18)
0371 10728322	LIMIT (PRIMARY) (M1, M10, M19, M25)
0371 10728325	LIMIT (PRIMARY) (M3, M12)
0371 10728326	LIMIT (PRIMARY) (M2, M11, M20, M26)
0371 10728331	LIMIT (PRIMARY) (M4, M5, M8, M13, M14, M17, M22, M23, M28, M29)
0371 10728338	LIMIT (PRIMARY) (M7, M16, M21, M27)
0401 11094802	BAFFLE-LIMIT (M6, M9, M15, M18)
0551 M0219916	SCREW-SM (QTY AR)
0561 M0224303	SCREW-SM (QTY AR)
0581 11008801	BAFFLE-DECK (M3, M12)
0581 11008802	BAFFLE-DECK (M4, M13, M22, M28)
0651 M0211020	SCREW-SM (QTY AR)
0831 11008302	BAFFLE-LINER (M2, M3, M7, M11, M12, M16, M20, M21, M26, M27)
0831 11008303	BAFFLE-LINER (M4, M5, M8, M13, M14, M17, M22, M23, M28, M29)
0831 11008304	BAFFLE-LINER (M6, M9, M15, M18, M24, M30)
0831 11008306	BAFFLE-LINER (M1, M10, M19, M25)

Ref. Part No:	Description:
---------------	--------------

Expanded Model and Color Nomenclature

M1 - GUID045DA30	P1226901F
M2 - GUID070DA30	P1226902F
M3 - GUID070DA40	P1226903F
M4 - GUID090DA30	P1226904F
M5 - GUID090DA50	P1226905F
M6 - GUID115DA50	P1226907F
M7 - GUID070DA40	P1226909F
M8 - GUID090DA50	P1226910F
M9 - GUID115DA50	P1226911F
M10 - GUID045DX30	P1227001F
M11 - GUID070DX30	P1227002F
M12 - GUID070DX40	P1227003F
M13 - GUID090DX30	P1227004F
M14 - GUID090DX50	P1227005F
M15 - GUID115DX50	P1227007F
M16 - GUID070DX40	P1227009F
M17 - GUID090DX50	P1227010F
M18 - GUID115DX50	P1227011F
M19 - GUID045CA30	P1229501F
M20 - GUID070CA30	P1229502F
M21 - GUID070CA40	P1229503F
M22 - GUID090CA30	P1229504F
M23 - GUID090CA50	P1229505F
M24 - GUID115CA50	P1229507F
M25 - GUID045CX30	P1229701F
M26 - GUID070CX30	P1229702F
M27 - GUID070CX40	P1229703F
M28 - GUID090CX30	P1229704F
M29 - GUID090CX50	P1229705F
M30 - GUID115CX50	P1229707F

Outer Cabinet

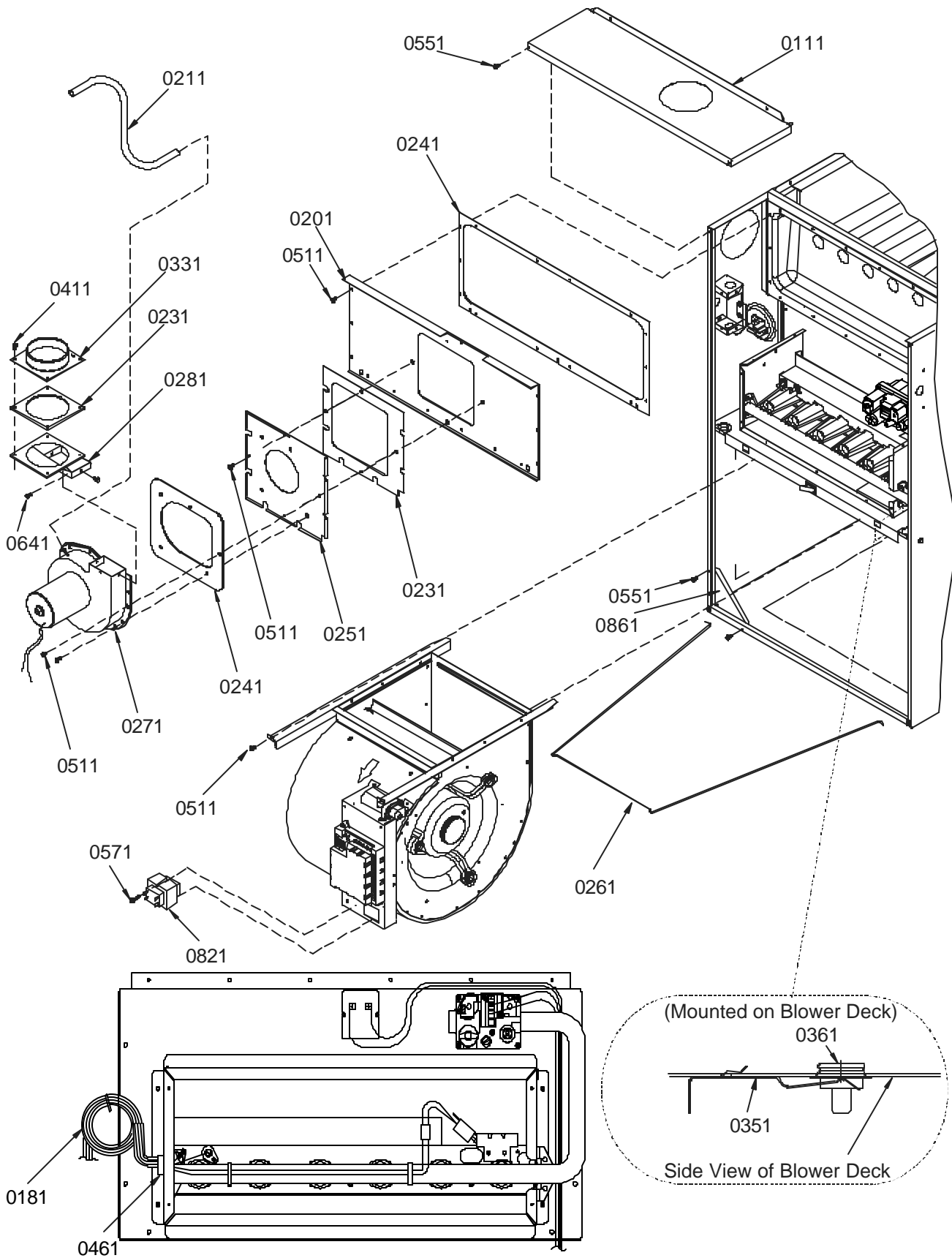


Outer Cabinet

Ref Part No:	Description:
<i>Image 1:</i>	
0011 20249808	BASEPAN-UF PNT (M1, M2, M3, M7, M10, M11, M12, M16, M19, M20, M21, M25, M26, M27)
0011 20249810	BASEPAN-UF PNT (M4, M5, M8, M13, M14, M17, M22, M23, M28, M29)
0011 20249812	BASEPAN-UF PNT (M6, M9, M15, M18, M24, M30)
0031 11034806	DECK-BLOWER (M1, M2, M7, M10, M11, M16, M19, M20, M21, M25, M26, M27)
0031 11034807	DECK-BLOWER (M3, M12)
0031 11034808	DECK-BLOWER (M4, M5, M8, M13, M14, M17, M22, M23, M28, M29)
0031 11034809	DECK-BLOWER (M6, M9, M15, M18, M24, M30)
0081 20239202	BACK PANEL-PNT (M1, M2, M3, M7, M10, M11, M12, M16, M19, M20, M21, M25, M26, M27)
0081 20239204	BACK PANEL-PNT (M4, M5, M8, M13, M14, M17, M22, M23, M28, M29)
0081 20239206	BACK PANEL-PNT (M6, M9, M15, M18, M24, M30)
0101 10728401	SUPPORT-PART PAN (M1, M2, M3, M7, M10, M11, M12, M16, M19, M20, M21, M25, M26, M27)
0101 10728402	SUPPORT-PART PAN (M4, M5, M8, M13, M14, M17, M22, M23, M28, M29)
0101 10728403	SUPPORT-PART PAN (M6, M9, M15, M18, M24, M30)
0141 20239502	L SIDE PANEL (M1, M2, M3, M4, M5, M6, M7, M8, M9, M10, M11, M12, M13, M14, M15, M16, M17, M18)
0141 20249402	L SIDE PANEL (M19, M20, M21, M22, M23, M24, M25, M26, M27, M28, M29, M30)
0151 20239402	R SIDE PANEL (M1, M2, M3, M4, M5, M6, M7, M8, M9, M10, M11, M12, M13, M14, M15, M16, M17, M18)
0151 20249302	R SIDE PANEL (M19, M20, M21, M22, M23, M24, M25, M26, M27, M28, M29, M30)
0221 10690401	SWITCH-INTERLOCK
0291 10727920	SWITCH-PRESSURE
0311 10736102	BOX-HIGH VOLTAGE
0421 A4554801	BUSHING-SNAP
0471 10833601	CLIP-WIRE
0541 M0216716	SCREW-SM (QTY AR)
0551 M0219916	SCREW-SM (QTY AR)
0721 A4568804	GROMMET-D (QTY AR)
0741 M0571002	BUSHING-SNAP
0771 M0270001	WASHER-CUP
0781 M0227803	SCREW-TC
0891 10690301	ANGLE-FILTER (M19, M20, M21, M22, M23, M24, M25, M26, M27, M28, M29, M30)
0901 20242801	RAIL-FILTER (M19, M20, M21, M22, M23, M24, M25, M26, M27, M28, M29, M30)

Ref. Part No:	Description:
Expanded Model and Color Nomenclature	
M1 - GUID045DA30	P1226901F
M2 - GUID070DA30	P1226902F
M3 - GUID070DA40	P1226903F
M4 - GUID090DA30	P1226904F
M5 - GUID090DA50	P1226905F
M6 - GUID115DA50	P1226907F
M7 - GUID070DA40	P1226909F
M8 - GUID090DA50	P1226910F
M9 - GUID115DA50	P1226911F
M10 - GUID045DX30	P1227001F
M11 - GUID070DX30	P1227002F
M12 - GUID070DX40	P1227003F
M13 - GUID090DX30	P1227004F
M14 - GUID090DX50	P1227005F
M15 - GUID115DX50	P1227007F
M16 - GUID070DX40	P1227009F
M17 - GUID090DX50	P1227010F
M18 - GUID115DX50	P1227011F
M19 - GUID045CA30	P1229501F
M20 - GUID070CA30	P1229502F
M21 - GUID070CA40	P1229503F
M22 - GUID090CA30	P1229504F
M23 - GUID090CA50	P1229505F
M24 - GUID115CA50	P1229507F
M25 - GUID045CX30	P1229701F
M26 - GUID070CX30	P1229702F
M27 - GUID070CX40	P1229703F
M28 - GUID090CX30	P1229704F
M29 - GUID090CX50	P1229705F
M30 - GUID115CX50	P1229707F

Vent Systems/Controls



Vent Systems/Controls

Ref Part No:	Description:
<i>Image 1:</i>	
0111 20239314	COVER UF-PNT (M1, M2, M3, M7, M10, M11, M12, M16, M19, M20, M21, M25, M26, M27)
0111 20239316	COVER UF-PNT (M4, M5, M8, M13, M14, M17, M22, M23, M28, M29)
0111 20239318	COVER UF-PNT (M6, M9, M15, M18, M24, M30)
0181 11135203	HARNES-WIRING
0201 10764404	PLATE-PARTITION (M1, M2, M3, M7, M10, M11, M12, M16, M19, M20, M21, M25, M26, M27)
0201 10764405	PLATE-PARTITION (M4, M5, M8, M13, M14, M17, M22, M23, M28, M29)
0201 10764406	PLATE-PARTITION (M6, M9, M15, M18, M24, M30)
0211 B1410303	HOSE-PRESSURE SW (M1, M2, M3, M7, M10, M11, M12, M16, M19, M20, M21, M25, M26, M27)
0211 B1410304	HOSE-PRESSURE SW (M4, M5, M6, M8, M9, M13, M14, M15, M17, M18, M22, M23, M24, M28, M29, M30)
0231 10764601	GASKET-ROTATE PLT
0241 11142201	GASKET-COLL/ID (M1, M2, M3, M7, M10, M11, M12, M16, M19, M20, M21, M25, M26, M27)
0241 11142202	GASKET-COLL/ID (M4, M5, M8, M13, M14, M17, M22, M23, M28, M29)
0241 11142203	GASKET-COLL/ID (M6, M9, M15, M18, M24, M30)
0251 10764301	PLATE-ROTATING (M1, M10, M19, M25)
0251 10764302	PLATE-ROTATING (M2, M3, M7, M11, M12, M16, M20, M21, M26, M27)
0251 10764304	PLATE-ROTATING (M4, M5, M8, M13, M14, M17, M22, M23, M28, M29)
0251 10764313	PLATE-ROTATING (M6, M9, M15, M18, M24, M30)
0261 20178501	RETAINER-FILTER
0271 20044401	BLOWER-ID
0281 11072301	TRAN-ID BLOW
0331 11009701	TOP-TRAN PLATE
0351 10861101	BRKT-AUX LIMIT
0361 10123525	LIMIT-RESET MAN (AUXILIARY)
0411 M0253516	SCREW-TR (QTY AR)
0461 A4554801	BUSHING-SNAP
0511 M0219918	SCREW-SM (QTY AR)
0551 M0219916	SCREW-SM (QTY AR)
0571 M0216536	SCREW-SM (QTY AR)
0641 M0211021	SCREW-SM (M10, M11, M12, M13, M14, M15, M16, M17, M18, M25, M26, M27, M28, M29, M30)
0821 C6349703	TRANSFORMER
0861 11094903	BRKT-CORNER (QTY 2)

Ref. Part No:	Description:
Expanded Model and Color Nomenclature	
M1 - GUID045DA30	P1226901F
M2 - GUID070DA30	P1226902F
M3 - GUID070DA40	P1226903F
M4 - GUID090DA30	P1226904F
M5 - GUID090DA50	P1226905F
M6 - GUID115DA50	P1226907F
M7 - GUID070DA40	P1226909F
M8 - GUID090DA50	P1226910F
M9 - GUID115DA50	P1226911F
M10 - GUID045DX30	P1227001F
M11 - GUID070DX30	P1227002F
M12 - GUID070DX40	P1227003F
M13 - GUID090DX30	P1227004F
M14 - GUID090DX50	P1227005F
M15 - GUID115DX50	P1227007F
M16 - GUID070DX40	P1227009F
M17 - GUID090DX50	P1227010F
M18 - GUID115DX50	P1227011F
M19 - GUID045CA30	P1229501F
M20 - GUID070CA30	P1229502F
M21 - GUID070CA40	P1229503F
M22 - GUID090CA30	P1229504F
M23 - GUID090CA50	P1229505F
M24 - GUID115CA50	P1229507F
M25 - GUID045CX30	P1229701F
M26 - GUID070CX30	P1229702F
M27 - GUID070CX40	P1229703F
M28 - GUID090CX30	P1229704F
M29 - GUID090CX50	P1229705F
M30 - GUID115CX50	P1229707F

Blower

Ref Part

No:	Description:
<i>Image 1:</i>	
0021 A3410501	STRAP-CAPACITOR (M4, M5, M6, M8, M9, M13, M14, M15, M17, M18, M22, M23, M24, M28, M29, M30)
0021 A4055402	STRAP-CAPACITOR (M1, M2, M3, M7, M10, M11, M12, M16, M19, M20, M21, M25, M26, M27)
0041 A4002702	GROMMET (M5, M6, M14, M15) (QTY 3)
0041 M0250558	SCREW-TC (M1, M2, M3, M4, M7, M8, M9, M10, M11, M12, M13, M16, M17, M18, M19, M20, M21, M22, M23, M24, M25, M26, M27, M28, M29, M30) (QTY 3)
0081 10744901	RAIL-SIDE BLOWER
0091 10744902	RAIL-SIDE BLOWER
0121 C6121802	CUTOFF (M3, M12)
0121 C6121806	CUTOFF (M6, M9, M15, M18, M24, M30)
0121 C6121810	CUTOFF (M1, M2, M4, M5, M7, M8, M10, M11, M13, M14, M16, M17, M19, M20, M21, M22, M23, M25, M26, M27, M28, M29)
0151 C9443701	BRKT-MOTOR MT (M6, M15)
0151 C9443702	BRKT-MOTOR MT (M5, M14)
0161 10099901	CAPACITOR (M2, M11, M20, M26)
0161 D6859325	CAPACITOR (M1, M3, M7, M10, M12, M16, M19, M21, M25, M27)
0161 D6879739	CAPACITOR (M4, M13, M22, M28)
0161 D6879740	CAPACITOR (M8, M9, M17, M18, M23, M24, M29, M30)
0161 D6879746	CAPACITOR (M5, M6, M14, M15)
0171 D6723301	WHEEL-BLOWER (M1, M2, M10, M11, M19, M20, M25, M26)
0171 D6723302	WHEEL-BLOWER (M4, M5, M7, M8, M13, M14, M16, M17, M21, M22, M23, M27, M28, M29)
0171 D6723303	WHEEL-BLOWER (M6, M9, M15, M18, M24, M30)
0171 D6723316	WHEEL-BLOWER (M3, M12)
0181 20046603	MOTOR BLOW 1/2 HP (M3, M12)
0181 20046602	MOTOR BLOW 1/3 HP (M2, M11, M20, M26)
0181 20046604	MOTOR BLOW 1/3 HP (M1, M10, M19, M25)
0181 20046613	MOTOR BLOW 3/4 HP (M9, M18, M24, M30)
0181 10759406	MOTOR-BLOW 1/2 HP (M5, M14)
0181 20046606	MOTOR-BLOW 1/2 HP (M7, M16, M21, M27)
0181 20046609	MOTOR-BLOW 1/2 HP (M4, M13, M22, M28)
0181 10759407	MOTOR-BLOW 3/4 HP (M6, M15)
0191 11185801	BLOWER HSG WELD (M1, M2, M10, M11, M19, M20, M25, M26)
0191 11185802	BLOWER HSG WELD (M3, M12)
0191 11185803	BLOWER HSG WELD (M4, M5, M7, M8, M13, M14, M16, M17, M21, M22, M23, M27, M28, M29)
0191 11185804	BLOWER HSG WELD (M6, M9, M15, M18, M24, M30)
0211 M0211016	SCREW-SM (QTY AR)
0221 M0253516	SCREW-TR (QTY AR)
0231 M0221461	SCREW-TC (M5, M6, M14, M15) (QTY 3)
0251 M0267144	SCREW-MACH (M5, M6, M14, M15)
0261 M0274008	WASHER-FLAT (M5, M6, M14, M15) (QTY 3)
0281 M0282015	NUT-KEPS (M5, M6, M14, M15)
0291 M0321202	TIE-ELEC LG
0401 10207709	CONTROL-INTEG
0461 10746204	BRKT-CONTROL

Ref. Part

No:	No:	Description:
0471	M0211020	SCREW-SM (QTY AR)
0501	M0219916	SCREW-SM (QTY AR)

Expanded Model and Color Nomenclature

M1 - GUID045DA30	P1226901F
M2 - GUID070DA30	P1226902F
M3 - GUID070DA40	P1226903F
M4 - GUID090DA30	P1226904F
M5 - GUID090DA50	P1226905F
M6 - GUID115DA50	P1226907F
M7 - GUID070DA40	P1226909F
M8 - GUID090DA50	P1226910F
M9 - GUID115DA50	P1226911F
M10 - GUID045DX30	P1227001F
M11 - GUID070DX30	P1227002F
M12 - GUID070DX40	P1227003F
M13 - GUID090DX30	P1227004F
M14 - GUID090DX50	P1227005F
M15 - GUID115DX50	P1227007F
M16 - GUID070DX40	P1227009F
M17 - GUID090DX50	P1227010F
M18 - GUID115DX50	P1227011F
M19 - GUID045CA30	P1229501F
M20 - GUID070CA30	P1229502F
M21 - GUID070CA40	P1229503F
M22 - GUID090CA30	P1229504F
M23 - GUID090CA50	P1229505F
M24 - GUID115CA50	P1229507F
M25 - GUID045CX30	P1229701F
M26 - GUID070CX30	P1229702F
M27 - GUID070CX40	P1229703F
M28 - GUID090CX30	P1229704F
M29 - GUID090CX50	P1229705F
M30 - GUID115CX50	P1229707F