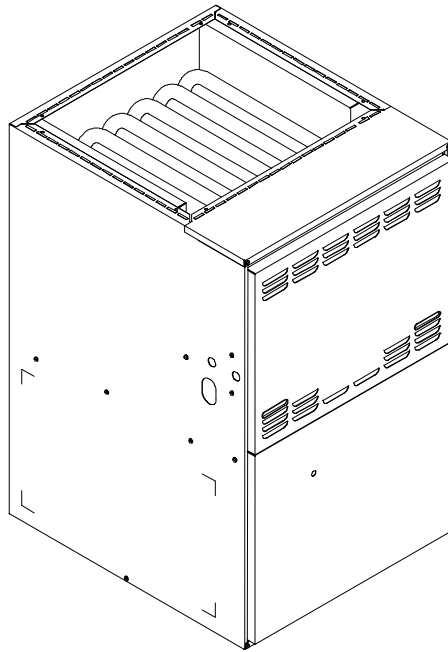


Parts

GCIC Gas Furnace

This manual replaces RP6620024 Revision 0.



Models and manufacturing numbers in this manual

GCIC045CX30	P1230501F
GCIC045DX30	P1226801F
GCIC070CX30	P1230502F
GCIC070CX40	P1230503F
GCIC070DX30	P1226802F
GCIC070DX40	P1226803F
GCIC070DX40	P1226809F
GCIC090CX30	P1230504F
GCIC090CX50	P1230505F
GCIC090DX30	P1226804F
GCIC090DX50	P1226805F
GCIC115CX40	P1230506F
GCIC115CX50	P1230507F
GCIC115DX40	P1226806F
GCIC115DX50	P1226807F
GCIC140CX50	P1230508F
GCIC140DX50	P1226808F

This manual is to be used by qualified appliance technicians only. Amana does not assume any responsibility for property damage or personal injury for improper service procedures done by an unqualified person.

Amana

RP6620024
Revision 1
October 1999

Important Information

Amana is not responsible for personal injury or property damage resulting from improper service. Review all service information before beginning repairs.

Warranty service must be performed by an authorized technician, using authorized factory parts. If service is required after the warranty expires, Amana also recommends contacting an authorized technician and using authorized factory parts. Locate an authorized technician by calling 800-NATLSVC (800-628-5782).

For assistance within the U.S.A. contact:

Consumer Affairs Department
Amana
2800 220th Trail
Amana IA 52204-0001
319-622-5511--Telephone
319-622-2977--Facsimile

For assistance outside the U.S.A. contact:

International Division
Amana
2800 220th Trail
Amana IA 52204-0001
USA
319-622-5511--Telephone
319-622-8595--Facsimile

Index

Functional Parts List	4 - 5
Illustration and Parts	6 - 13

Views shown are for parts illustrations only, not servicing procedures.

Revision 1: Added Models P1230501F (GCIC045CX30), P1230502F(GCIC070CX30), P1230503F(GCIC070CX40), P1230504F(GCIC090CX30), P1230505F(GCIC090CX50), P1230506F(GCIC115CX40), P1230507F(GCIC115CX50) and P1230508F(GCIC140CX50).

Text Codes:

AR - As Required

NA - Not Available

NS - Not Shown

00000000 - See Note

QTY - Quantity Example (QTY 3) (If Quantity not shown, Quantity = 1)

M - Model Example (M1) (If M Code not shown, then part is used on all Models)

Expanded Model and Color Nomenclature:

Example	
M1 - Model#1	P _____
M2 - Model#2	P _____
M3 - Model#3	P _____

Functional Parts

Part

No:

Description:

10585405	BLOWER-ID (M3)
20044401	BLOWER-ID (M1, M2, M4, M5, M6, M7, M8, M9, M10, M11, M12, M13, M14, M15, M16, M17)
D6859325	CAPACITOR (M1, M3, M6, M9, M10, M12, M15)
10099902	CAPACITOR (M2, M11)
D6879740	CAPACITOR (M5, M7, M8, M14, M16, M17)
D6879739	CAPACITOR (M4, M13)
10735201	FLAME-SENSOR
11135203	HARNESS-WIRING
10735002	IGNITOR
10728318	LIMIT(PRIMARY) (M1, M10)
10728319	LIMIT(PRIMARY) (M5, M14)
10728328	LIMIT(PRIMARY) (M2, M11)
10728329	LIMIT(PRIMARY) (M6, M8, M15, M17)
10728306	LIMIT(PRIMARY) (M3, M9, M12)
10728302	LIMIT(PRIMARY) (M7, M16)
10728312	LIMIT(PRIMARY) (M4, M13)
10123525	LIMIT-RESET MAN(AUXILIARY)
20046604	MOTOR BLOW 1/3 HP (M1, M10)
20046609	MOTOR-BLOW 1/2 HP (M4, M13)
20046611	MOTOR-BLOW 1/2 HP (M6, M15)
20046606	MOTOR-BLOW 1/2 HP (M3, M9, M12)
20046605	MOTOR-BLOW 1/3 HP (M2, M11)
10759409	MOTOR-BLOW 3/4 HP (M5, M14)
10759410	MOTOR-BLOW 3/4 HP (M7, M8, M16, M17)
10716003	ORIFICE (QTY 2)
10690401	SWITCH-INTERLOCK
10727920	SWITCH-PRESSURE
C6349703	TRANSFORMER
C6476907	VALVE-GAS

Functional Parts

Part

No: Description:

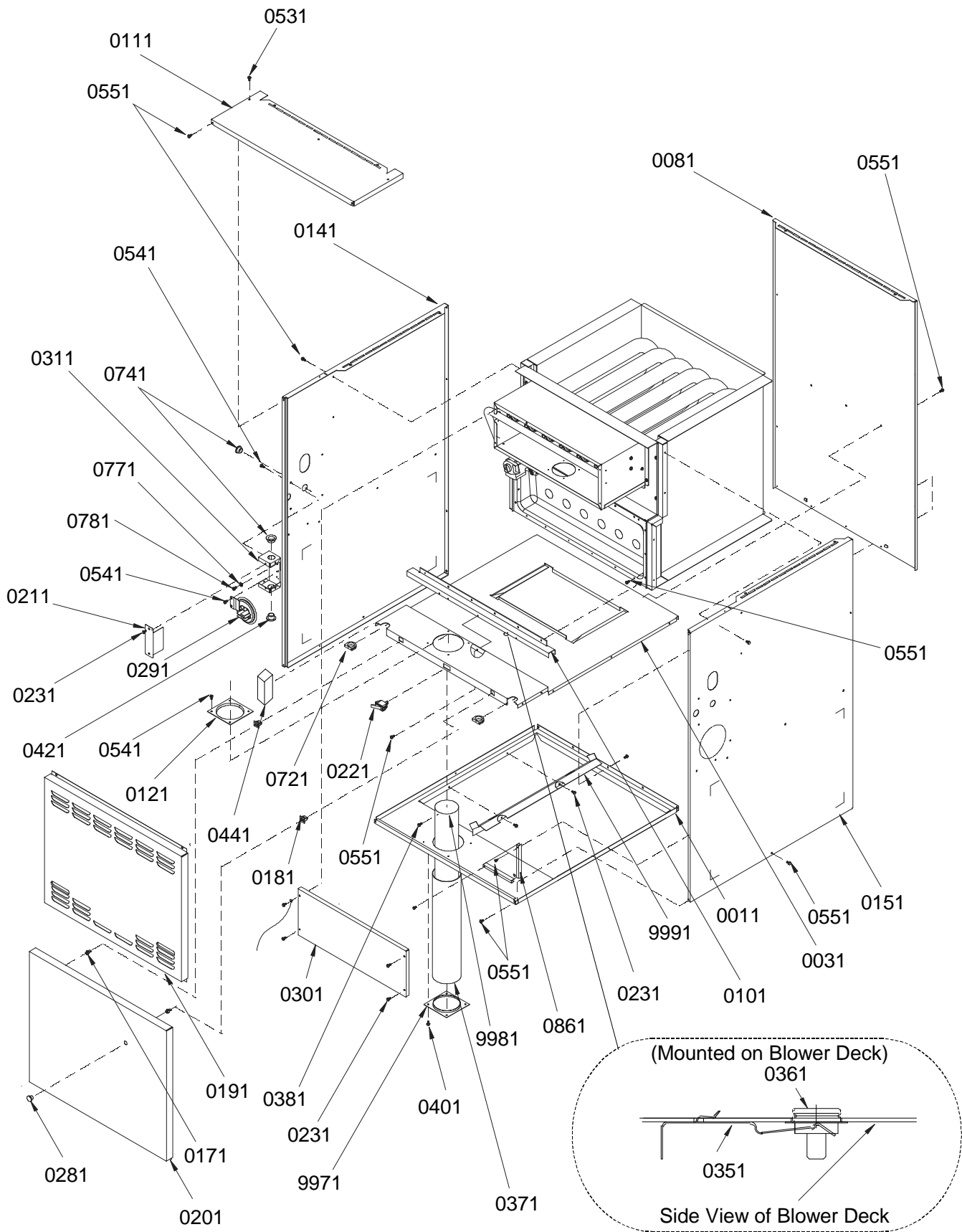
SPECIAL PARTS

11067325	INSTR-HI ALT FR
11067324	INSTR-LP FR
10759823	INSTRUCT-INSTALL (M9)
10759826	INSTRUCT-INSTALL (M1, M2, M4, M5, M6, M7, M8, M10, M11, M12, M13, M14, M15, M16, M17)
10759821	INSTRUCT-INSTALL (M3)
RP6620024	MANUAL-PARTS
10759614	MANUAL-USERS (M3, M9)
10759619	MANUAL-USERS (M1, M2, M4, M5, M6, M7, M8, M10, M11, M12, M13, M14, M15, M16, M17)

Expanded Model and Color Nomenclature

M1 - GCIC045DX30	P1226801F
M2 - GCIC070DX30	P1226802F
M3 - GCIC070DX40	P1226803F
M4 - GCIC090DX30	P1226804F
M5 - GCIC090DX50	P1226805F
M6 - GCIC115DX40	P1226806F
M7 - GCIC115DX50	P1226807F
M8 - GCIC140DX50	P1226808F
M9 - GCIC070DX40	P1226809F
M10 - GCIC045CX30	P1230501F
M11 - GCIC070CX30	P1230502F
M12 - GCIC070CX40	P1230503F
M13 - GCIC090CX30	P1230504F
M14 - GCIC090CX50	P1230505F
M15 - GCIC115CX40	P1230506F
M16 - GCIC115CX50	P1230507F
M17 - GCIC140CX50	P1230508F

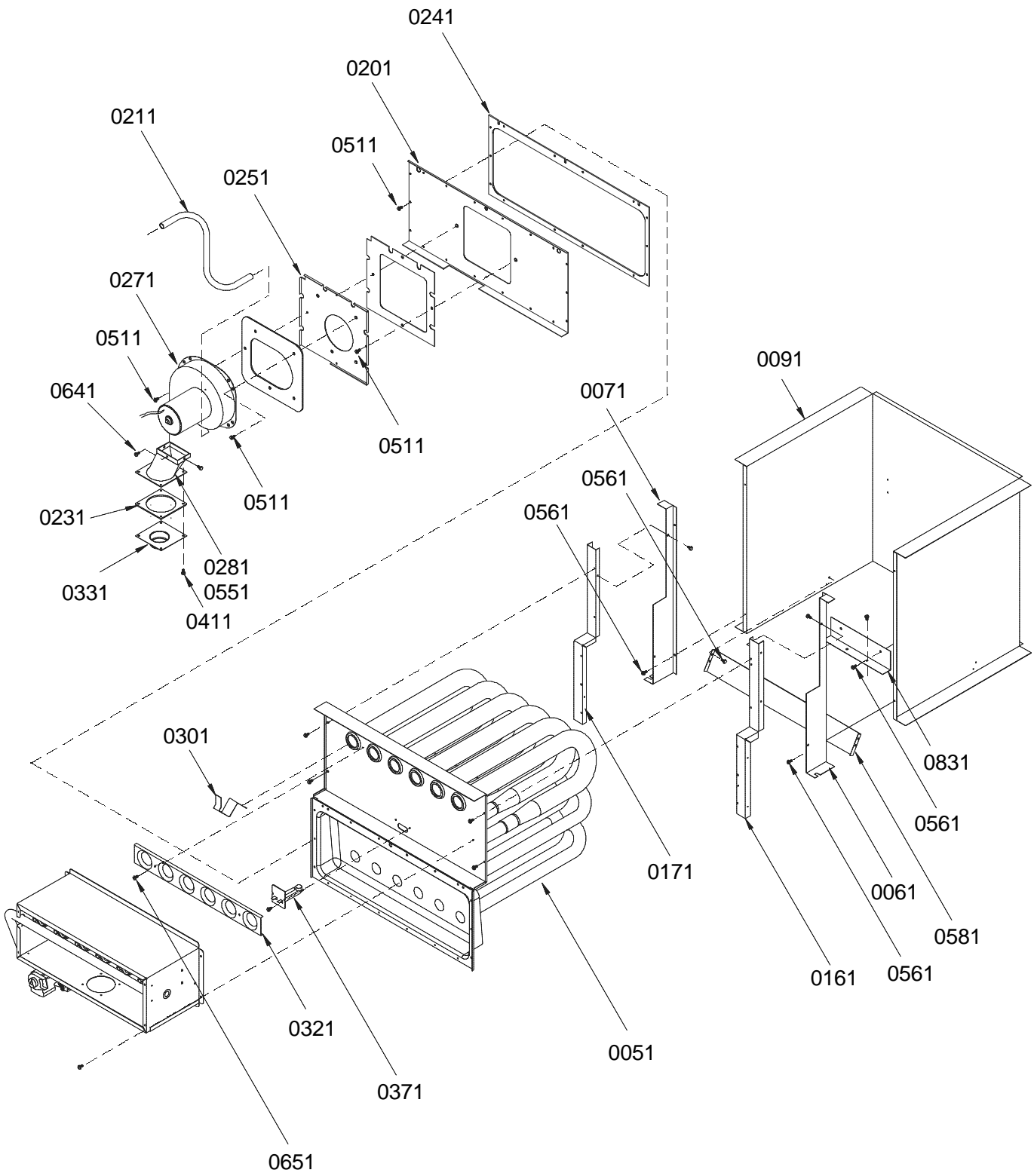
Cabinet Assembly



Cabinet Assembly

Ref. Part No: No:	Description:	Ref. Part No: No:	Description:
<i>Image 1:</i>		0401 M0216716	SCREW-SM (QTY 4)
0011 20239108	BASEPAN CF-PNT (M1, M2, M3, M9, M10, M11, M12)	0421 A4554801	BUSHING-SNAP
0011 20239110	BASEPAN CF-PNT (M4, M5, M13, M14)	0441 11001301	GASKET-COMPT (QTY 2)
0011 20239112	BASEPAN CF-PNT (M6, M7, M8, M15, M16, M17)	0531 M0211530	SCREW-SM (QTY 2)
0031 11024501	DECK-PIERCED BLWR (M3)	0541 M0216716	SCREW-SM (QTY 8)
0031 11024502	DECK-PIERCED BLWR (M4, M5, M13, M14)	0551 M0219916	SCREW-SM (QTY 59)
0031 11024503	DECK-PIERCED BLWR (M6, M15)	0721 A4568804	GROMMET-D (QTY 2)
0031 11024504	DECK-PIERCED BLWR (M1, M2, M9, M10, M11, M12)	0741 M0571002	BUSHING-SNAP (QTY 2)
0031 11024505	DECK-PIERCED BLWR (M7, M8, M16, M17)	0771 M0270001	WASHER-CUP
0081 20239208	BACK PANEL-PNT (M1, M2, M3, M9, M10, M11, M12)	0781 M0227803	SCREW-TC
0081 20239210	BACK PANEL-PNT (M4, M5, M13, M14)	0861 11094903	BRKT-CORNER (QTY 2)
0081 20239212	BACK PANEL-PNT (M6, M7, M8, M15, M16, M17)	9971 11034707	BRKT-VENT TUBE
0101 10728404	SUPPORT-PART PAN (M1, M2, M3, M9, M10, M11, M12)	9981 B9268909	PIPE-FLUE
0101 10728405	SUPPORT-PART PAN (M4, M5, M13, M14)	9991 10368501	RAIL-FILTER
0101 10728406	SUPPORT-PART PAN (M6, M7, M8, M15, M16, M17)	Expanded Model and Color Nomenclature	
0111 20239308	COVER CF-PNT (M1, M2, M3, M9, M10, M11, M12)	M1 - GCIC045DX30	P1226801F
0111 20239310	COVER CF-PNT (M4, M5, M13, M14)	M2 - GCIC070DX30	P1226802F
0111 20239312	COVER CF-PNT (M6, M7, M8, M15, M16, M17)	M3 - GCIC070DX40	P1226803F
0121 11034707	BRKT-VENT TUBE	M4 - GCIC090DX30	P1226804F
0141 20239504	L SIDE PANEL PNT	M5 - GCIC090DX50	P1226805F
0151 20239404	R SIDE PANEL-PNT	M6 - GCIC115DX40	P1226806F
0171 10690101	STRIKE-DOOR (QTY 2)	M7 - GCIC115DX50	P1226807F
0181 10690002	DOOR CATCH ASSY (QTY 2)	M8 - GCIC140DX50	P1226808F
0191 20239702	DOOR-ACCESS PNT (M1, M2, M3, M9, M10, M11, M12)	M9 - GCIC070DX40	P1226809F
0191 20239704	DOOR-ACCESS PNT (M4, M5, M13, M14)	M10 - GCIC045CX30	P1230501F
0191 20239706	DOOR-ACCESS PNT (M6, M7, M8, M15, M16, M17)	M11 - GCIC070CX30	P1230502F
0201 20239604	BLOWER DOOR PNT (M4, M5, M13, M14)	M12 - GCIC070CX40	P1230503F
0201 20239602	BLOWER DOOR-PNT (M1, M2, M3, M9, M10, M11, M12)	M13 - GCIC090CX30	P1230504F
0201 20239606	BLOWER DOOR-PNT (M6, M7, M8, M15, M16, M17)	M14 - GCIC090CX50	P1230505F
0211 10736201	COVER-HV BOX	M15 - GCIC115CX40	P1230506F
0221 10690401	SWITCH-INTERLOCK	M16 - GCIC115CX50	P1230507F
0231 M0216529	SCREW-SM (QTY 8)	M17 - GCIC140CX50	P1230508F
0281 11104001	SNAP-BUSHING CLR		
0291 10727920	SWITCH-PRESSURE		
0301 10734606	BOX-FRONT BNR (M1, M10)		
0301 10734607	BOX-FRONT BNR (M2, M3, M9, M11, M12)		
0301 10734608	BOX-FRONT BNR (M4, M5, M13, M14)		
0301 10734609	BOX-FRONT BNR (M6, M7, M15, M16)		
0301 10734610	BOX-FRONT BNR (M8, M17)		
0311 10736102	BOX-HIGH VOLTAGE		
0351 10861101	BRKT-AUX LIMIT		
0361 10123525	LIMIT-RESET MAN(AUXILIARY)		
0371 11022002	TUBE-VENT		
0381 M0233716	SCREW-SD		

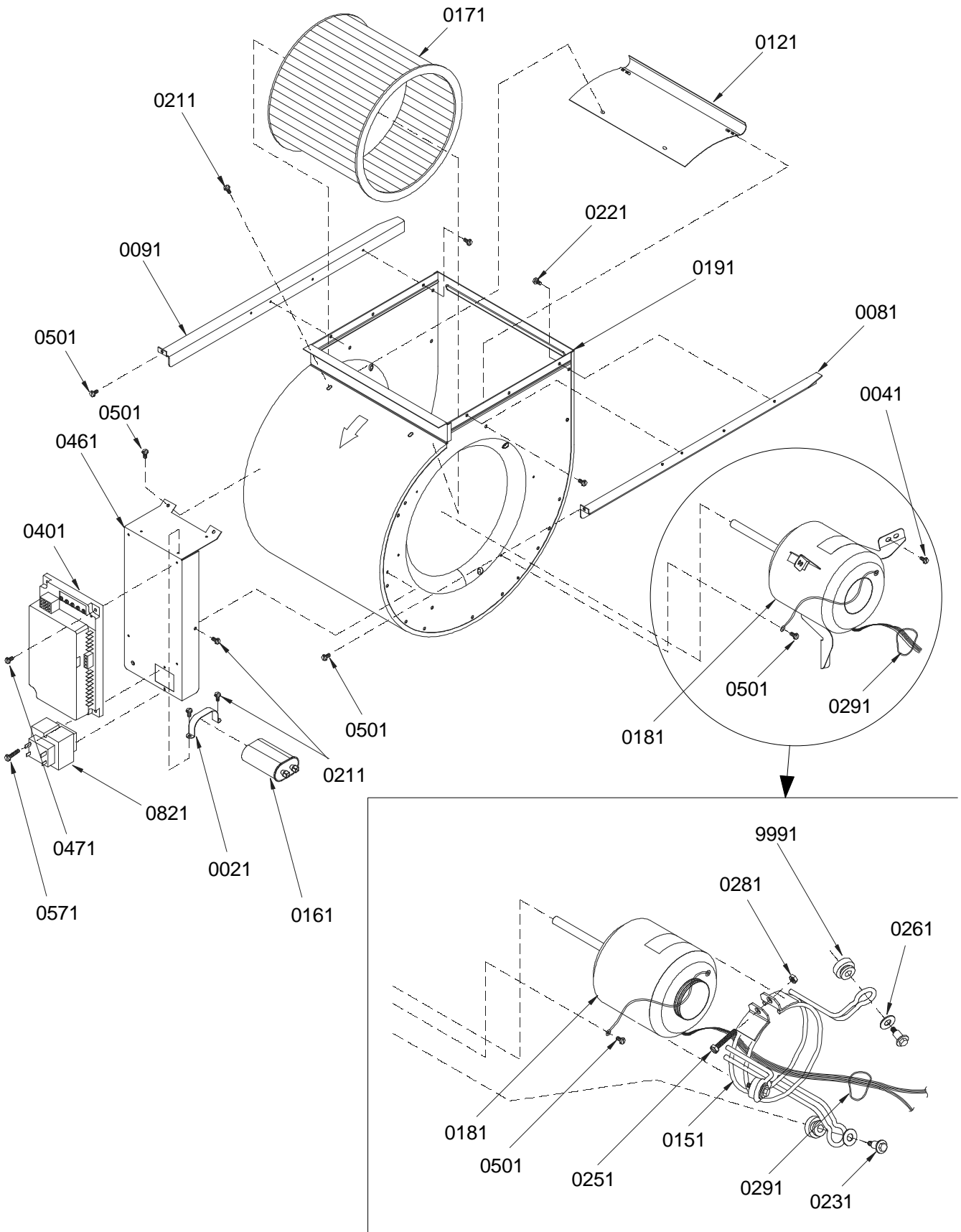
Partition Tube Assembly & Collector Box



Partition Tube Assembly & Collector Box

Ref. Part No: No:	Description:	Ref. Part No: No:	Description:
<i>Image 1:</i>		0581 11008801	BAFFLE-DECK (M2, M3, M11)
0051 11094106	PART/TUBE ASSY (M1, M10)	0581 11008802	BAFFLE-DECK (M4, M13)
0051 11094107	PART/TUBE ASSY (M2, M3, M9, M11, M12)	0581 11008803	BAFFLE-DECK (M6, M7, M15, M16)
0051 11094108	PART/TUBE ASSY (M4, M5, M13, M14)	0641 M0211021	SCREW-SM
0051 11094109	PART/TUBE ASSY (M6, M7, M15, M16)	0651 M0211020	SCREW-SM
0051 11094111	PART/TUBE ASSY (M8, M17)	0831 11008306	BAFFLE-LINER
0061 10728601	BRKT-LINER MTG	Expanded Model and Color Nomenclature	
0071 10728602	BRKT-LINER MTG	M1 - GCIC045DX30	P1226801F
0091 10728707	LINER-CABINET (M1, M10)	M2 - GCIC070DX30	P1226802F
0091 10728708	LINER-CABINET (M2, M3, M9, M11, M12)	M3 - GCIC070DX40	P1226803F
0091 10728709	LINER-CABINET (M4, M5, M13, M14)	M4 - GCIC090DX30	P1226804F
0091 10728710	LINER-CABINET (M6, M7, M15, M16)	M5 - GCIC090DX50	P1226805F
0091 10728711	LINER-CABINET (M8, M17)	M6 - GCIC115DX40	P1226806F
0161 10728503	RAIL-PART PANEL	M7 - GCIC115DX50	P1226807F
0171 10728504	RAIL-PART PANEL	M8 - GCIC140DX50	P1226808F
0201 10764404	PLATE-PARTITION (M1, M2, M3, M9, M10, M11, M12)	M9 - GCIC070DX40	P1226809F
0201 10764405	PLATE-PARTITION (M4, M5, M13, M14)	M10 - GCIC045CX30	P1230501F
0201 10764406	PLATE-PARTITION (M6, M7, M8, M15, M16, M17)	M11 - GCIC070CX30	P1230502F
0211 B1410303	HOSE-PRESSURE SW (M13, M14)	M12 - GCIC070CX40	P1230503F
0211 B1410304	HOSE-PRESSURE SW (M1, M2, M3, M4, M5, M6, M7, M8, M9, M15, M16, M17)	M13 - GCIC090CX30	P1230504F
0211 B1410311	HOSE-PRESSURE SW (M10, M11, M12)	M14 - GCIC090CX50	P1230505F
0231 10764601	GASKET-ROTATE PLT	M15 - GCIC115CX40	P1230506F
0241 11142201	GASKET-COLL/ID (M1, M2, M3, M9, M10, M11, M12)	M16 - GCIC115CX50	P1230507F
0241 11142202	GASKET-COLL/ID (M4, M5, M13, M14)	M17 - GCIC140CX50	P1230508F
0241 11142203	GASKET-COLL/ID (M6, M7, M8, M15, M16, M17)		
0251 10764309	PLATE-ROTATING (M2, M3, M9, M11, M12)		
0251 10764313	PLATE-ROTATING (M4, M5, M6, M7, M8, M13, M14, M15, M16, M17)		
0251 10764315	PLATE-ROTATING (M1, M10)		
0271 10585405	BLOWER-ID (M3)		
0271 20044401	BLOWER-ID (M1, M2, M4, M5, M6, M7, M8, M9, M10, M11, M12, M13, M14, M15, M16, M17)		
0281 11072301	TRAN-ID BLOW		
0301 10624002	INSERT-MESH TUBE (QTY 2)		
0321 11072201	SHIELD-ORIFICE (M1, M10)		
0321 11072202	SHIELD-ORIFICE (M2, M3, M9, M11, M12)		
0321 11072203	SHIELD-ORIFICE (M4, M5, M13, M14)		
0321 11072204	SHIELD-ORIFICE (M6, M7, M15, M16)		
0321 11072205	SHIELD-ORIFICE (M8, M17)		
0331 11009703	TOP-TRAN PLATE		
0371 10728302	LIMIT(PRIMARY) (M7, M16)		
0371 10728306	LIMIT(PRIMARY) (M3, M9, M12)		
0371 10728312	LIMIT(PRIMARY) (M4, M13)		
0371 10728318	LIMIT(PRIMARY) (M1, M10)		
0371 10728319	LIMIT(PRIMARY) (M5, M14)		
0371 10728328	LIMIT(PRIMARY) (M2, M11)		
0371 10728329	LIMIT(PRIMARY) (M6, M8, M15, M17)		
0411 M0253516	SCREW-TR (QTY 4)		
0511 M0219918	SCREW-SM (QTY 26)		
0551 M0219916	SCREW-SM (QTY 59)		
0561 M0224303	SCREW-SM (QTY 10)		

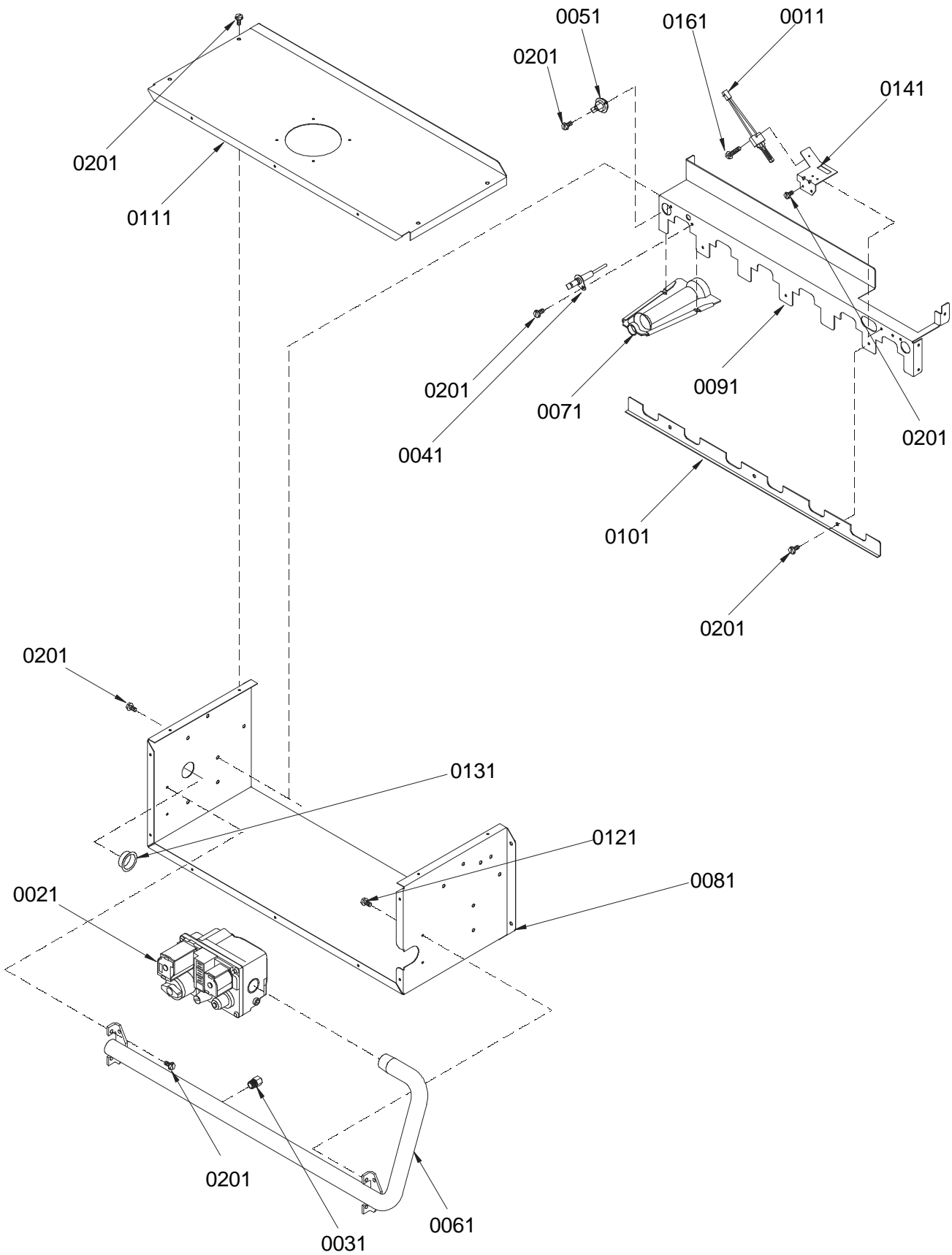
Blower Assembly & Integrated Control



Blower Assembly & Integrated Control

Ref. Part No: No:	Description:	Ref. Part No: No:	Description:
<i>Image 1:</i>		Expanded Model and Color Nomenclature	
0021 A3410501	STRAP-CAPACITOR (M4, M5, M7, M8, M13, M14, M16, M17)	M1 - GCIC045DX30	P1226801F
0021 A4055402	STRAP-CAPACITOR (M1, M2, M3, M6, M9, M10, M11, M12, M15)	M2 - GCIC070DX30	P1226802F
0041 M0250558	SCREW-TC (M1, M2, M3, M4, M6, M9, M10, M11, M12, M13, M15)	M3 - GCIC070DX40	P1226803F
0081 10744901	RAIL-SIDE BLOWER	M4 - GCIC090DX30	P1226804F
0091 10744902	RAIL-SIDE BLOWER	M5 - GCIC090DX50	P1226805F
0121 C6121802	CUTOFF (M3)	M6 - GCIC115DX40	P1226806F
0121 C6121803	CUTOFF (M6, M15)	M7 - GCIC115DX50	P1226807F
0121 C6121806	CUTOFF (M7, M8, M16, M17)	M8 - GCIC140DX50	P1226808F
0121 C6121810	CUTOFF (M1, M2, M4, M5, M9, M10, M11, M12, M13, M14)	M9 - GCIC070DX40	P1226809F
0151 C9443701	BRKT-MOTOR MT (M7, M8, M16, M17)	M10 - GCIC045CX30	P1230501F
0151 C9443702	BRKT-MOTOR MT (M5, M14)	M11 - GCIC070CX30	P1230502F
0161 10099902	CAPACITOR (M2, M11)	M12 - GCIC070CX40	P1230503F
0161 D6859325	CAPACITOR (M1, M3, M6, M9, M10, M12, M15)	M13 - GCIC090CX30	P1230504F
0161 D6879739	CAPACITOR (M4, M13)	M14 - GCIC090CX50	P1230505F
0161 D6879740	CAPACITOR (M5, M7, M8, M14, M16, M17)	M15 - GCIC115CX40	P1230506F
0171 D6723301	WHEEL-BLOWER (M1, M2, M10, M11)	M16 - GCIC115CX50	P1230507F
0171 D6723302	WHEEL-BLOWER (M4, M5, M9, M12, M13, M14)	M17 - GCIC140CX50	P1230508F
0171 D6723303	WHEEL-BLOWER (M7, M8, M16, M17)		
0171 D6723310	WHEEL-BLOWER (M6, M15)		
0171 D6723316	WHEEL-BLOWER (M3)		
0181 20046604	MOTOR BLOW 1/3 HP (M1, M10)		
0181 20046606	MOTOR-BLOW 1/2 HP (M3, M9, M12)		
0181 20046609	MOTOR-BLOW 1/2 HP (M4, M13)		
0181 20046611	MOTOR-BLOW 1/2 HP (M6, M15)		
0181 20046605	MOTOR-BLOW 1/3 HP (M2, M11)		
0181 10759409	MOTOR-BLOW 3/4 HP (M5, M14)		
0181 10759410	MOTOR-BLOW 3/4 HP (M7, M8, M16, M17)		
0191 11185801	BLOWER HSG WELD (M1, M2, M10, M11)		
0191 11185802	BLOWER HSG WELD (M3)		
0191 11185803	BLOWER HSG WELD (M4, M5, M9, M12, M13, M14)		
0191 11185804	BLOWER HSG WELD (M7, M8, M16, M17)		
0191 11185808	BLOWER HSG WELD (M6, M15)		
0211 M0211016	SCREW-SM (QTY AR)		
0221 M0253516	SCREW-TR (QTY 6)		
0231 M0221461	SCREW-TC (M5, M7, M8, M14, M16, M17)		
0251 M0267144	SCREW-MACH (M5, M7, M8, M14, M16, M17)		
0261 M0274008	WASHER-FLAT (M5, M7, M8, M14, M16, M17)		
0281 M0282015	NUT-KEPS (M5, M7, M8, M14, M16, M17)		
0291 M0321202	TIE-ELEC LG		
0401 10207709	CONTROL-INTEG		
0461 10746204	BRKT-CONTROL		
0471 M0211020	SCREW-SM (QTY 2)		
0501 M0219916	SCREW-SM (QTY 8)		
0521 M0216536	SCREW-SM (QTY 2)		
0571 M0216536	SCREW-SM (QTY AR)		
0821 C6349703	TRANSFORMER		
9991 A4002702	GROMMET (M5, M7, M8, M14, M16, M17)		

Manifold Assembly



Manifold Assembly

Ref. Part No:	Description:	Ref. Part No:	Description:
---------------	--------------	---------------	--------------

Image 1:

0011	10735002	IGNITOR
0021	C6476907	VALVE-GAS
0031	10716003	ORIFICE (QTY 2)
0041	10735201	FLAME-SENSOR
0051	10123528	LIMIT-RESET MAN(ROLLOUT) (M2, M3, M6, M7, M8, M11, M15, M16, M17)
0051	10123530	LIMIT-RESET MAN(ROLLOUT) (M1, M10)
0051	10123531	LIMIT-RESET MAN(ROLLOUT) (M4, M5, M9, M12, M13, M14)
0061	10568801	MANIFOLD (M1, M10)
0061	10568802	MANIFOLD (M2, M3, M9, M11, M12)
0061	10568803	MANIFOLD (M4, M5, M13, M14)
0061	10568804	MANIFOLD (M6, M7, M15, M16)
0061	10568805	MANIFOLD (M8, M17)
0071	10735102	BECKETT BURNER (QTY 2)
0081	10734410	BOX-BURNER (M1, M10)
0081	10734411	BOX-BURNER (M2, M3, M9, M11, M12)
0081	10734412	BOX-BURNER (M4, M5, M13, M14)
0081	10734413	BOX-BURNER (M6, M7, M15, M16)
0081	10734414	BOX-BURNER (M8, M17)
0091	11008101	BRKT-BURNER (M1, M10)
0091	11008102	BRKT-BURNER (M2, M3, M9, M11, M12)
0091	11008103	BRKT-BURNER (M4, M5, M13, M14)
0091	11008104	BRKT-BURNER (M6, M7, M15, M16)
0091	11008105	BRKT-BURNER (M8, M17)
0101	10734701	BRKT-LOCK BURNER (M1, M10)
0101	10734702	BRKT-LOCK BURNER (M2, M3, M9, M11, M12)
0101	10734703	BRKT-LOCK BURNER (M4, M5, M13, M14)
0101	10734704	BRKT-LOCK BURNER (M6, M7, M15, M16)
0101	10734705	BRKT-LOCK BURNER (M8, M17)
0111	10734501	TOP-BOX BURNER (M1, M10)
0111	10734503	TOP-BOX BURNER (M4, M5, M13, M14)
0111	10734504	TOP-BOX BURNER (M6, M7, M15, M16)
0111	10734505	TOP-BOX BURNER (M8, M17)
0111	20177102	TOP-BRNR BOX (M2, M3, M9, M11, M12)
0121	M0253516	SCREW-TR (QTY 2)
0131	A4554801	BUSHING-SNAP
0141	11008703	BRKT-SENSOR
0161	M0216519	SCREW-SM
0201	M0216529	SCREW-SM (QTY 17)

Expanded Model and Color Nomenclature

M1 - GCIC045DX30	P1226801F
M2 - GCIC070DX30	P1226802F
M3 - GCIC070DX40	P1226803F
M4 - GCIC090DX30	P1226804F
M5 - GCIC090DX50	P1226805F
M6 - GCIC115DX40	P1226806F
M7 - GCIC115DX50	P1226807F
M8 - GCIC140DX50	P1226808F
M9 - GCIC070DX40	P1226809F
M10 - GCIC045CX30	P1230501F
M11 - GCIC070CX30	P1230502F
M12 - GCIC070CX40	P1230503F
M13 - GCIC090CX30	P1230504F
M14 - GCIC090CX50	P1230505F
M15 - GCIC115CX40	P1230506F
M16 - GCIC115CX50	P1230507F
M17 - GCIC140CX50	P1230508F