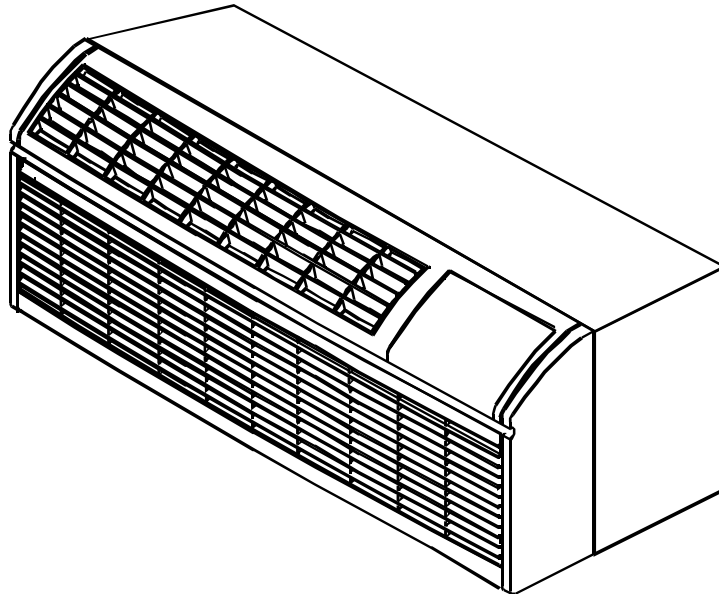


## Package Terminal Heat Pump

PTH094A35DC P1225312R  
PTH094A35KC P1225606R  
PTH094A35LC P1225806R



# Important Information

---

## Index

Functional Parts List .....	3
Illustration and Parts .....	4 - 19

*Views shown are for parts illustrations only, not servicing procedures*

### Text Codes:

AR - As Required

NA - Not Available

NS - Not Shown

00000000 - See Note

QTY - Quantity Example (QTY 3) (If Quantity not shown, Quantity = 1)

M - Model Example (M1) (If M Code not shown, then part is used on all Models)

### Expanded Model Nomenclature:

Example M1 - Model#1 M2 - Model#2 M3 - Model#3
---

Goodman Company, L.P. is not responsible for personal injury or property damage resulting from improper service. Review all service information before beginning repairs.

Warranty service must be performed by an authorized technician, using authorized factory parts. If service is required after the warranty expires, Goodman Company, L.P. also recommends contacting an authorized technician and using authorized factory parts.

Goodman Company, L.P. reserves the right to discontinue, or change at any time, specifications or designs without notice or without incurring obligations. Goodman® brand products are made proudly in the USA.

For assistance within the U.S.A. contact:

Consumer Affairs Department  
Goodman Company, L.P.  
7401 Security Way  
Houston, Texas 77040  
877-254-4729-Telephone  
713-863-2382-Facsimile

For assistance outside the U.S.A. contact:

International Division  
Goodman Company, L.P.  
7401 Security Way  
Houston, Texas 77040  
713-861-2500-Telephone  
713-863-2382-Facsimile

# Functional Parts

## Part

## No: Description:

---

B1160701	BOARD-TERM (M2, M3)
D6789063	CAPACITOR-ROUND
D6887712	COMP-PN 2R13S3R276A
20007503	CONDENSER ASSY
11121804	CONT PANEL ASSY (M2, M3)
11121604	CONT PANEL ASSY (M1)
11114701	CORD-277V-20A
11165703	EVAPORATOR ASSY
C6476002	HOLDER-BAYONET FUSE
20252008	HTR 4 3.7KW ASSY
20295704	INDOOR THERMISTOR
11172801	MOTOR (M2, M3)
11114908	MOTOR-FAN
20295701	OUTDOOR THERMISTOR
20295701	OUTDOOR THERMISTOR
20295502	PC BOARD
11125301	PUMP-CONDENSATE
C8873932	RELAY (M2, M3)
C8873917	RELAY
B1337701	SWITCH-PADDLE (M2, M3)
20295702	THERMISTOR (M1, M2)
11172101	TRANSFORMER (M2, M3)
11172101	TRANSFORMER (M1)
11044101	WHEEL-BLOWER

## SPECIAL PARTS

11113306	MANUAL-OWNERS
RP4220025	PARTS MANUAL
RS4210003	SERVICE MANUAL
11046401	WARRANTY

## Expanded Model Nomenclature

M1 - PTH094A35DC	P1225312R
M2 - PTH094A35KC	P1225606R
M3 - PTH094A35LC	P1225806R

# Front/Chassis

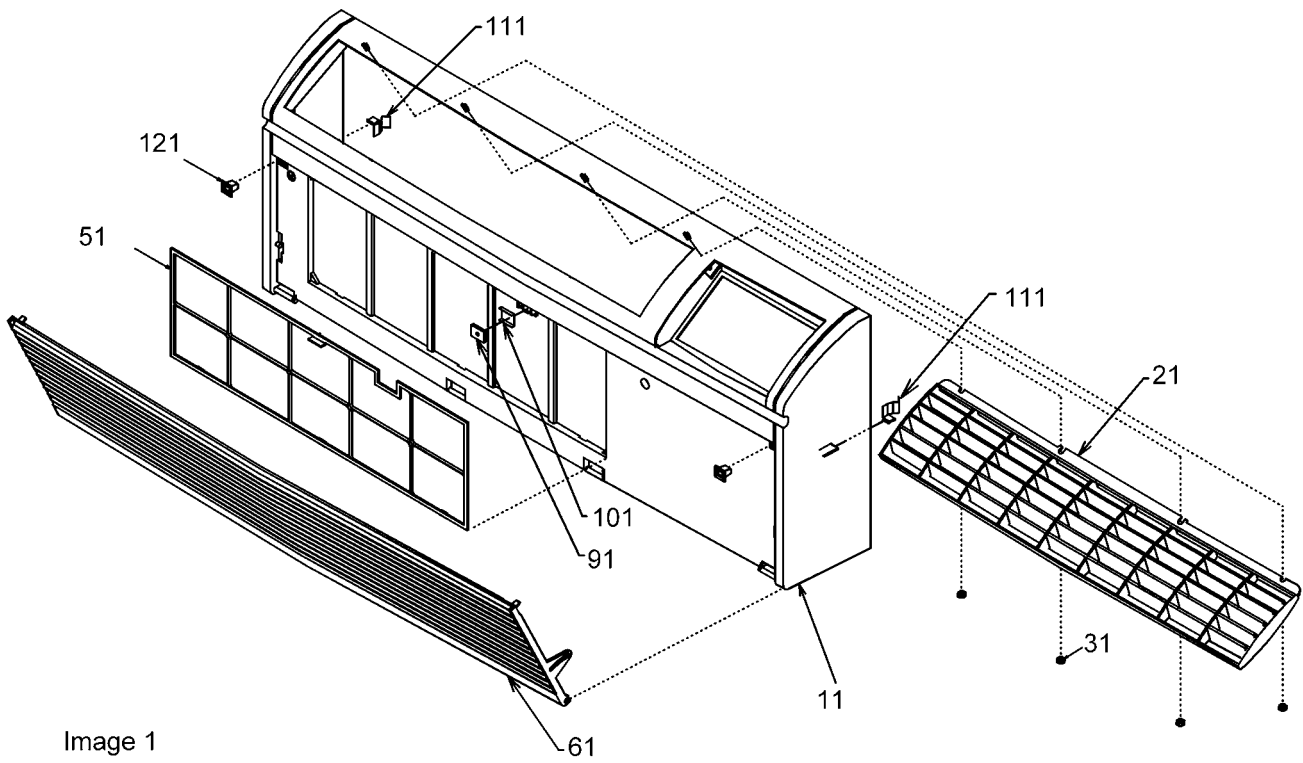
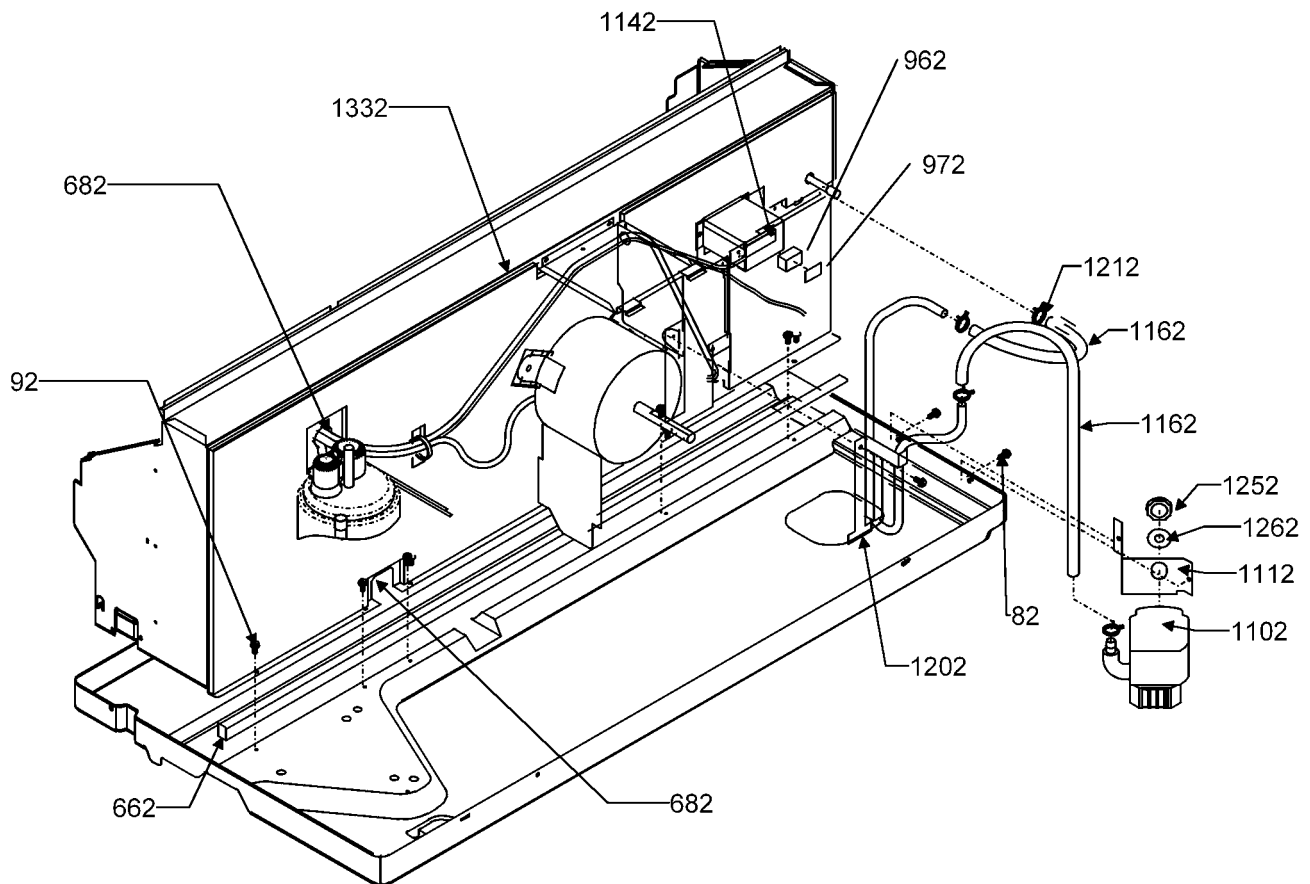


Image 1

Image 2



# Front/Chassis

Ref Part No:	Description:	Ref. Part No:	Description:
--------------	--------------	---------------	--------------

*Image 1:*

11	11042701A	FRONT
21	11167401	GRILLE-DISCHARGE
31	M0293604	PALNUT (QTY 4)
51	11045201	FILTER
61	20282501	GRILLE ASSY
91	11047301	MAGNET
101	11047201	HOLDER-MAGNET
111	11045102	CLIP-SIDE (QTY 2)
121	10690002	DOOR CATCH ASSY (QTY 2)

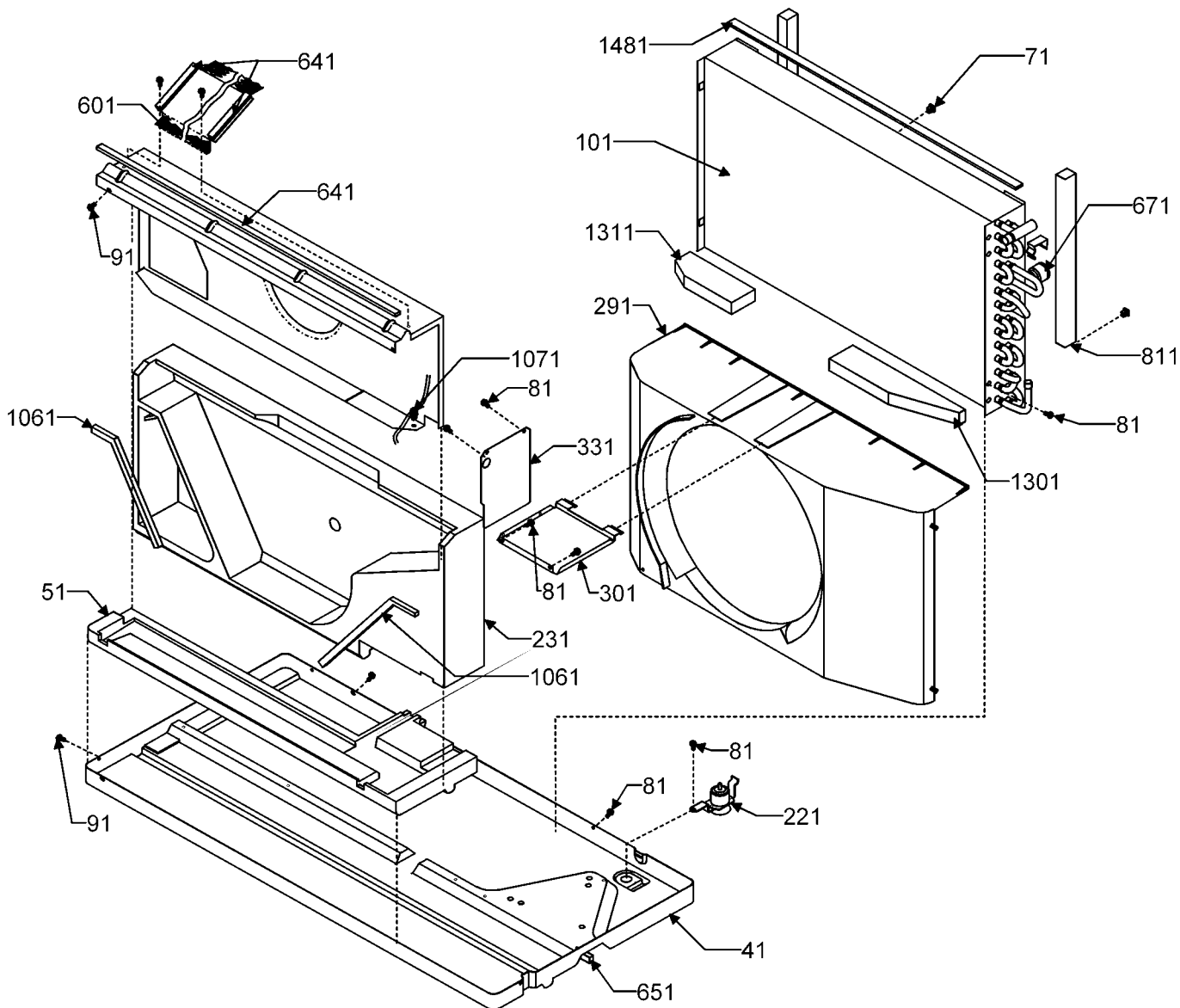
*Image 2:*

82	M0211216	SCREW-SM (M3)
92	M0216716	SCREW-SM (M1)
662	10839823	GASKET-.12X.50X41
682	M0275521	SEALER-PLASTIC (QTY AR)
962	11178201	INSUL (M2, M3)
972	11178301	BUMPER (M2, M3)
1102	11125301	PUMP-CONDENSATE
1112	20185701	BRKT-COND PUMP
1142	20011202	TUBE-CONDENSATE PTC
1162	A3435001	TUBE-VINYL (QTY AR)
1202	11135901	BRKT-RESTRICTOR
1212	M0119204	CLAMP-HOSE (QTY 4)
1252	10100401	NUT-COND PUMP
1262	M0270542	WASHER-FLAT
1332	20208601	INSUL-PARTITION PNL

Expanded Model Nomenclature

M1 - PTH094A35DC	P1225312R
M2 - PTH094A35KC	P1225606R
M3 - PTH094A35LC	P1225806R

# Chassis



# Chassis

Ref Part No:	Description:	Ref. Part No:	Description:
--------------	--------------	---------------	--------------

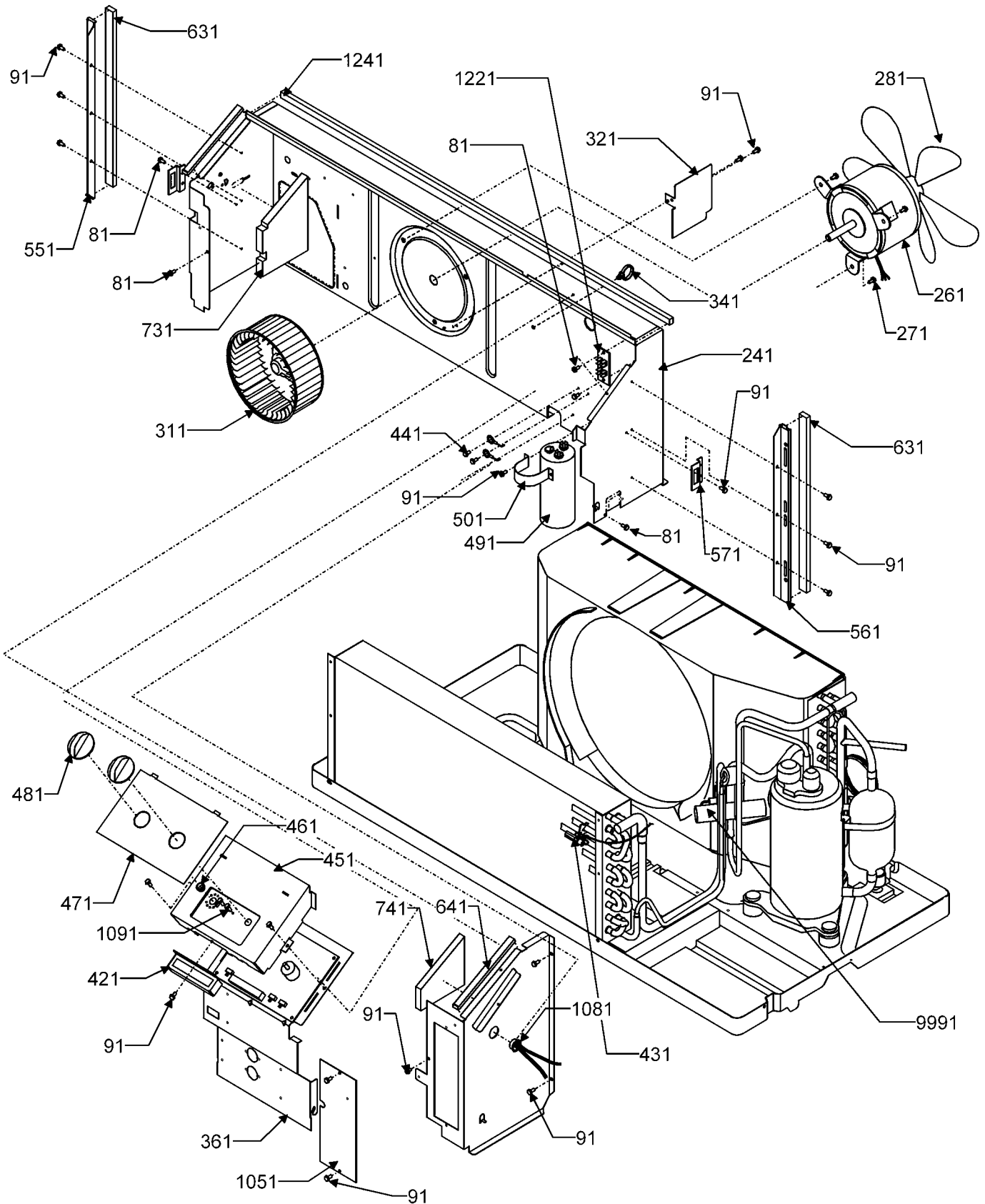
Image 1:

41	11042510	BASEPAN-PNT
51	11044702	PAD-EVAP
71	A3315701	GROMMET (QTY 4)
81	M0211216	SCREW-SM (M2)
91	M0216716	SCREW-SM (M1)
101	20007503	CONDENSER ASSY
221	11043402	VALVE-DRAIN PAN
231	11045802	SCROLL-BLOWER
291	11167301	SHROUD-COND
301	11044201	BRACE-TIE
331	11046501	BAFFLE-TOP
601	11123904	SCREEN-PNT DISCH
641	10839705	GASKET .50X.25 (QTY AR)
651	10839808	GASKET-.37X.50 (QTY AR)
671	20295701	OUTDOOR THERMISTOR
811	10839712	GASKET .62X.75 (QTY AR)
1061	10839706	GASKET .50X.50 (QTY AR)
1071	M0120801	CLIP-GUIDE
1301	20189701	INSUL-COND RH
1311	20189801	INSUL-COND LH
1481	10839822	GASKET-24.25X.50

Expanded Model Nomenclature

M1 - PTH094A35DC	P1225312R
M2 - PTH094A35KC	P1225606R
M3 - PTH094A35LC	P1225806R

# Chassis



# Chassis

Ref Part No:	Description:	Ref. Part No:	Description:
--------------	--------------	---------------	--------------

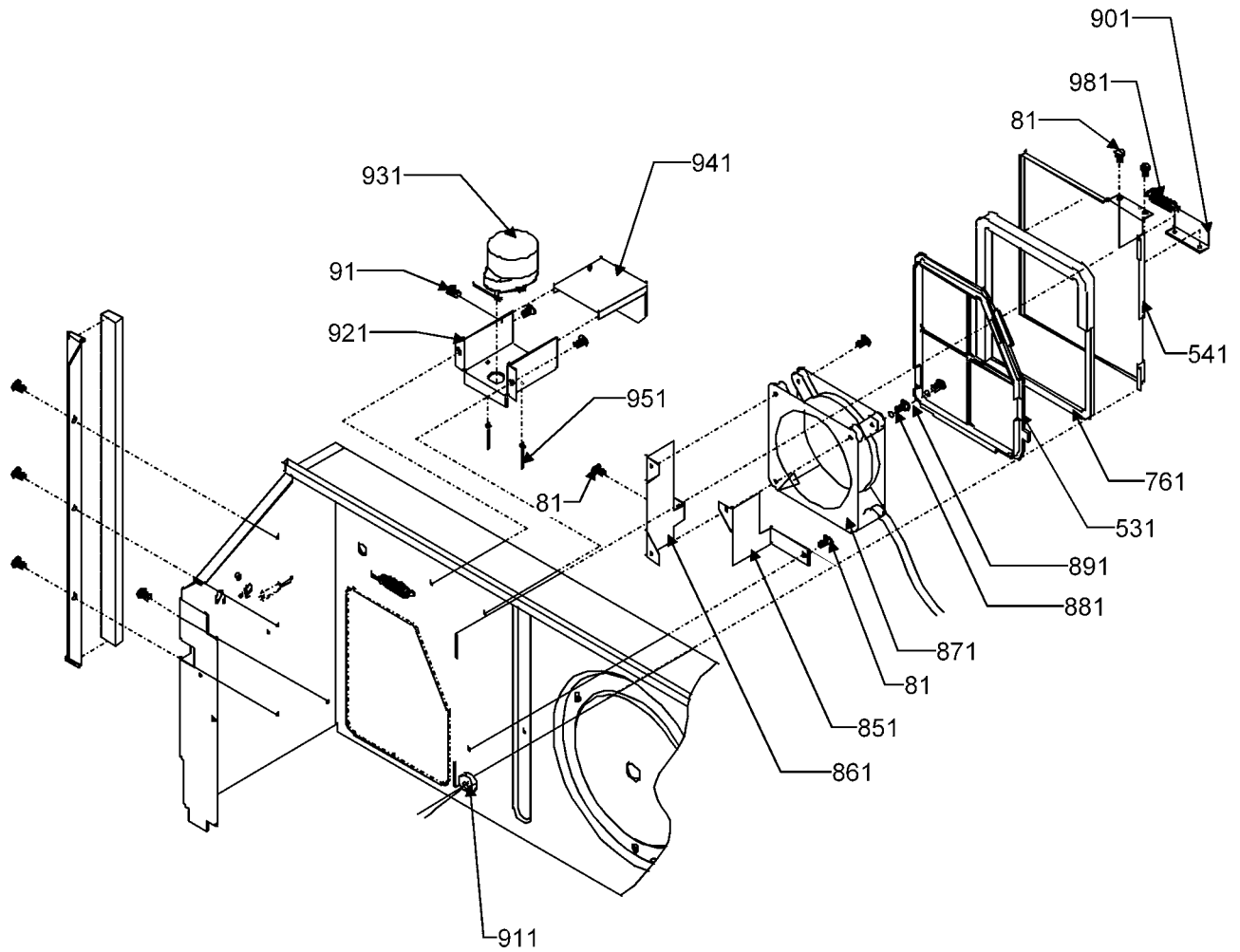
Image 1:

81	M0211216	SCREW-SM (QTY AR)
91	M0216716	SCREW-SM (QTY AR)
241	11045508	PANEL-PTN
261	11114908	MOTOR-FAN
271	M0224956	SCREW-TAP R (QTY 3)
281	20046501	FAN-PL. COND.
311	11044101	WHEEL-BLOWER
321	20245401	BAFFLE-COND INLT
341	M0118702	CLIP-GUIDE
361	11121604	CONT PANEL ASSY (M1)
361	11121804	CONT PANEL ASSY (M2, M3)
421	11045601	COVER-TERM BLK PTC
431	20075601	CLIP-T'STAT (QTY 2)
441	M0227803	SCREW-TC (QTY 2)
451	11044403	COVER-CONT PNL
461	M0117902	CLIP-TUBULAR
471	20005701	PLATE-ESC
481	11042902	KNOB-CONTROL (QTY 2)
491	D6789063	CAPACITOR-ROUND
501	C6300502	STRAP-CAP CO
551	11044902	SEAL-L SIDE
561	11044901	SEAL-R SIDE
571	11191702	BRACKET-PTN PNL (QTY 2)
631	10839807	GASKET-.37X.75 (QTY AR)
641	10839705	GASKET .50X.25 (QTY AR)
731	11122901	INSUL-LEFT
741	11123001	INSUL-RIGHT
1051	11167602	COVER-ACCESS
1091	M0216529	SCREW-SM (QTY 4)
1181	A4554812	BUSHING-SNAP
1221	B1160701	BOARD-TERM (M2, M3)
1241	10839814	GASKET-.50X.50 (QTY AR)
9991	20295702	THERMISTOR (M1, M2)

Expanded Model Nomenclature

M1 - PTH094A35DC	P1225312R
M2 - PTH094A35KC	P1225606R
M3 - PTH094A35LC	P1225806R

# Power Vent/Door



# Power Vent/Door

Ref Part No:	Description:	Ref. Part No: No:	Description:
-----------------	--------------	----------------------	--------------

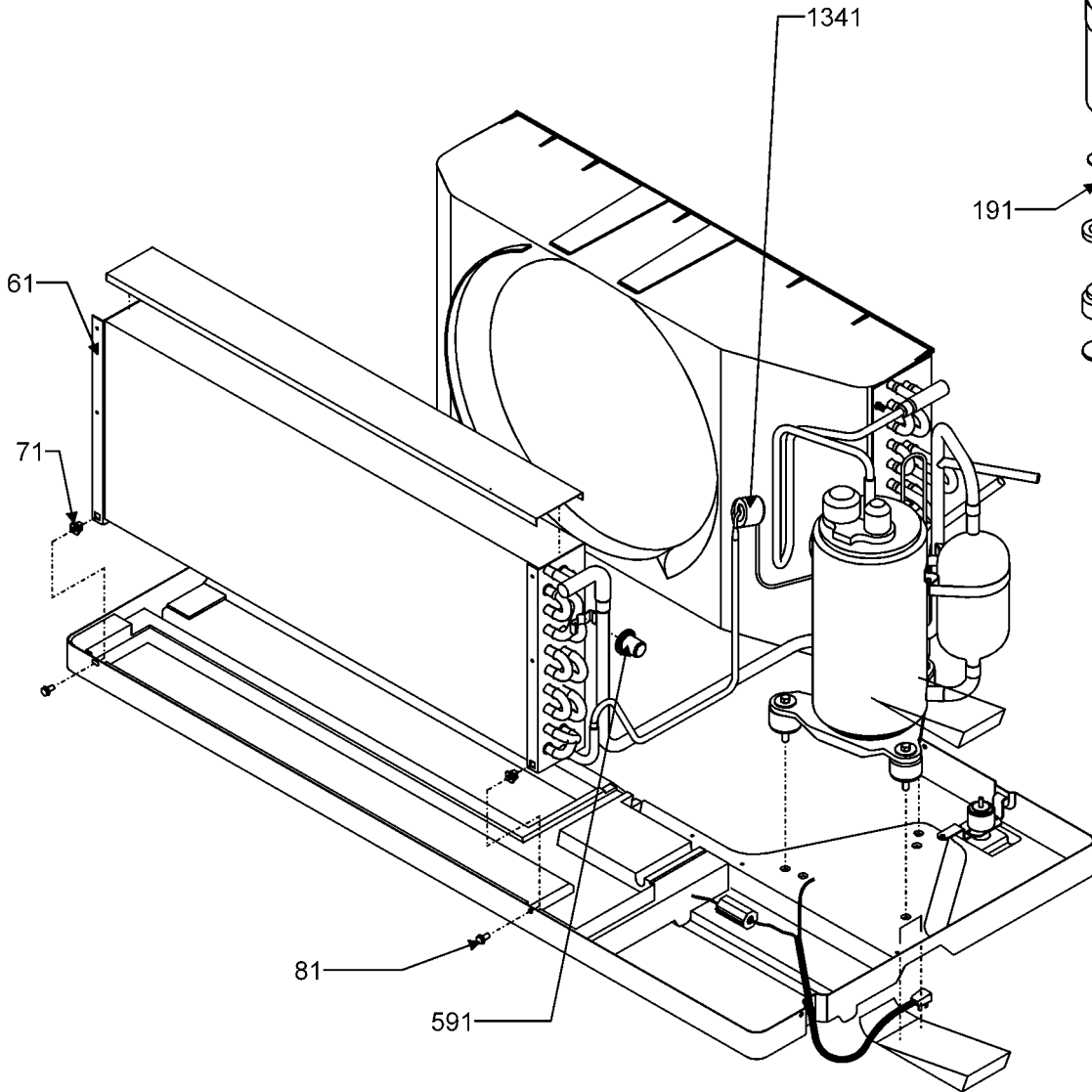
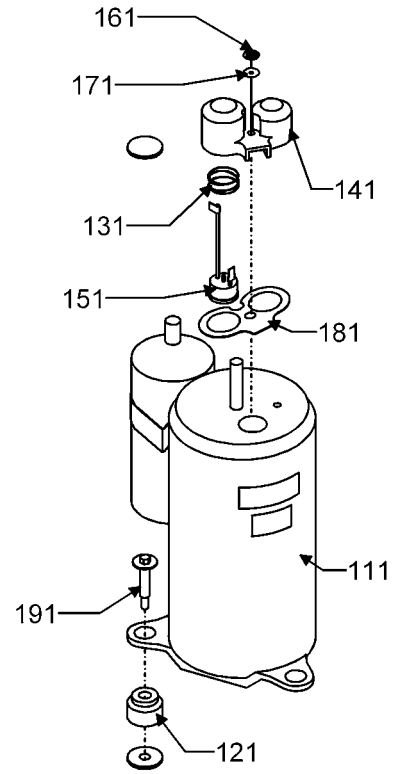
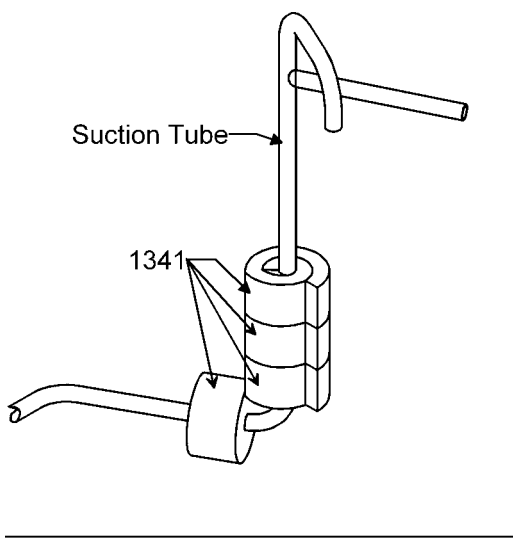
Image 1:

81	M0211216	SCREW-SM (M1)
91	M0216716	SCREW-SM (M1)
531	11046201	FILTER-VENT
541	11046105	DOOR-VENT
761	10839810	GASKET-.18X.38 (QTY AR)
851	11135801	BRKT-R FAN (M2)
861	11145801	BRKT-L FAN (M2)
871	11149201	FAN-MUFFIN (M2)
881	M0272802	WASHER-LOCK (M2)
891	M0211011	SCREW-SM (M2)
901	11166301	BRKT-PWR VENT (M2, M3)
911	M0370005	RELIEF-STRAIN (M2)
921	11166101	BRKT-MOTOR (M2, M3)
931	11172801	MOTOR (M2, M3)
941	11166201	BRKT-COVER (M2, M3)
951	A4539606	RIVET-POP (M2, M3)
981	11166401	SPRING-EXTENSION (M2, M3)

Expanded Model Nomenclature

M1 - PTH094A35DC	P1225312R
M2 - PTH094A35KC	P1225606R
M3 - PTH094A35LC	P1225806R

# Compressor/Tubing



# Compressor/Tubing

Ref Part No:	Description:	Ref. Part No: No:	Description:
-----------------	--------------	----------------------	--------------

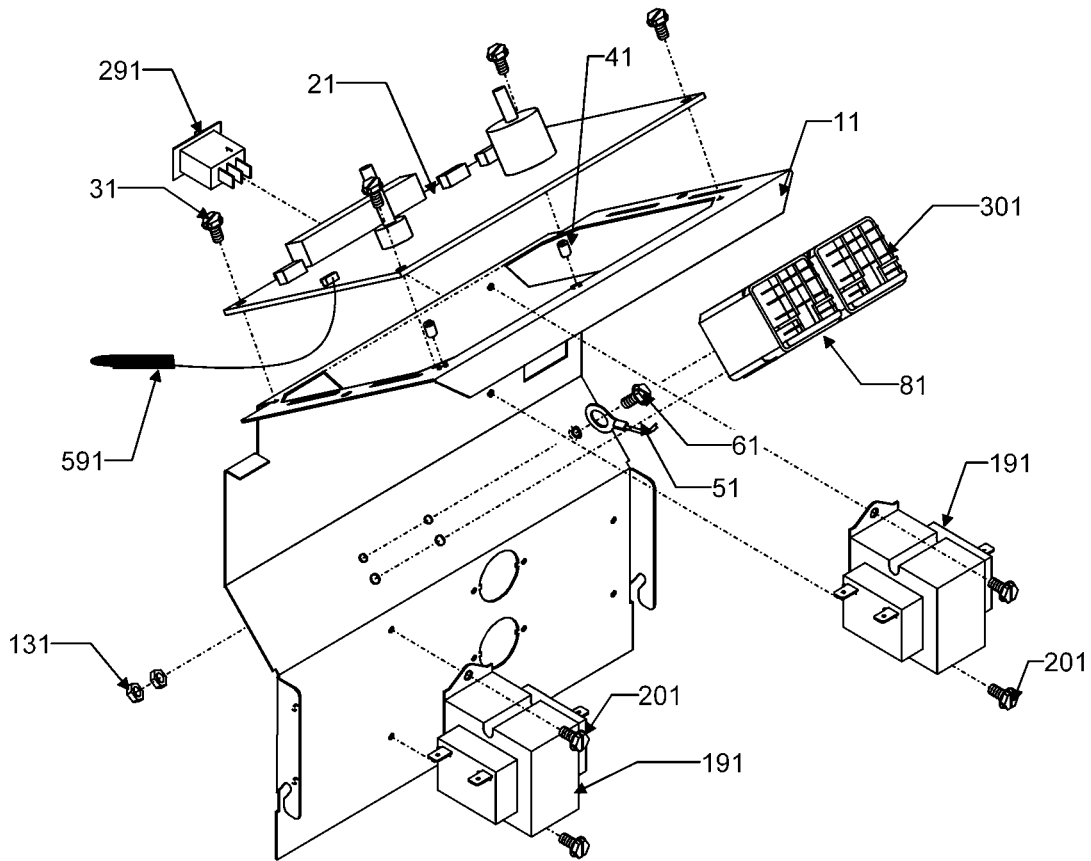
Image 1:

61	11165703	EVAPORATOR ASSY
71	A3315701	GROMMET (QTY 4)
81	M0211216	SCREW-SM (QTY AR)
111	D6887712	COMP-PN 2R13S3R276A
121	A4622801	GROMMET (QTY 3)
131	A3436901	SPRING-OVERLOAD
141	20120102	COVER-TERM
151	D6961642	OVERLOAD
161	A3436601	NUT-TERM COVER
171	A3436801	GASKET-NUT
181	A3436701	GASKET-TERM COVER
191	M0253661	SCREW-SHLDR (QTY 3)
201	M0216716	SCREW-SM (QTY AR)
591	20295701	OUTDOOR THERMISTOR
1341	11154803	SEALER-RUBBER BASED

Expanded Model Nomenclature

M1 - PTH094A35DC	P1225312R
M2 - PTH094A35KC	P1225606R
M3 - PTH094A35LC	P1225806R

# Control Panel



# Control Panel

Ref Part	Ref. Part
. No:	No: No:
Description:	Description:

---

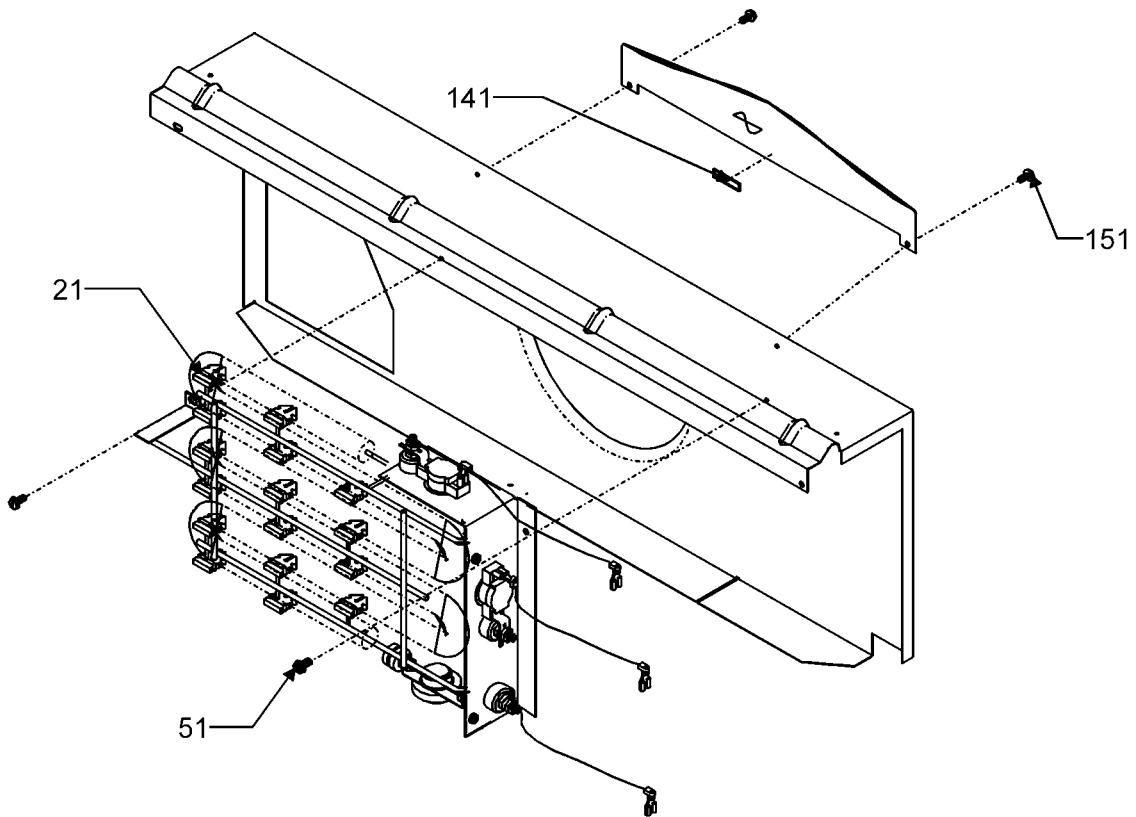
Image 1:

11	11044504	PANEL-CONTROL
21	20295502	PC BOARD
31	M0216529	SCREW-SM (QTY 4)
41	M0590702	SUPPORT (QTY 2)
51	10618849	WIRE-JUMPER GN1
61	M0227803	SCREW-TC
81	C8873917	RELAY
131	M0282005	NUT-KEPS (M1)
131	M0282005	NUT-KEPS (M2, M3)
191	11172101	TRANSFORMER (M2, M3)
191	11172101	TRANSFORMER (M1)
291	B1337701	SWITCH-PADDLE (M2, M3)
301	C8873932	RELAY (M2, M3)
591	20295704	INDOOR THERMISTOR

Expanded Model Nomenclature

M1 - PTH094A35DC	P1225312R
M2 - PTH094A35KC	P1225606R
M3 - PTH094A35LC	P1225806R

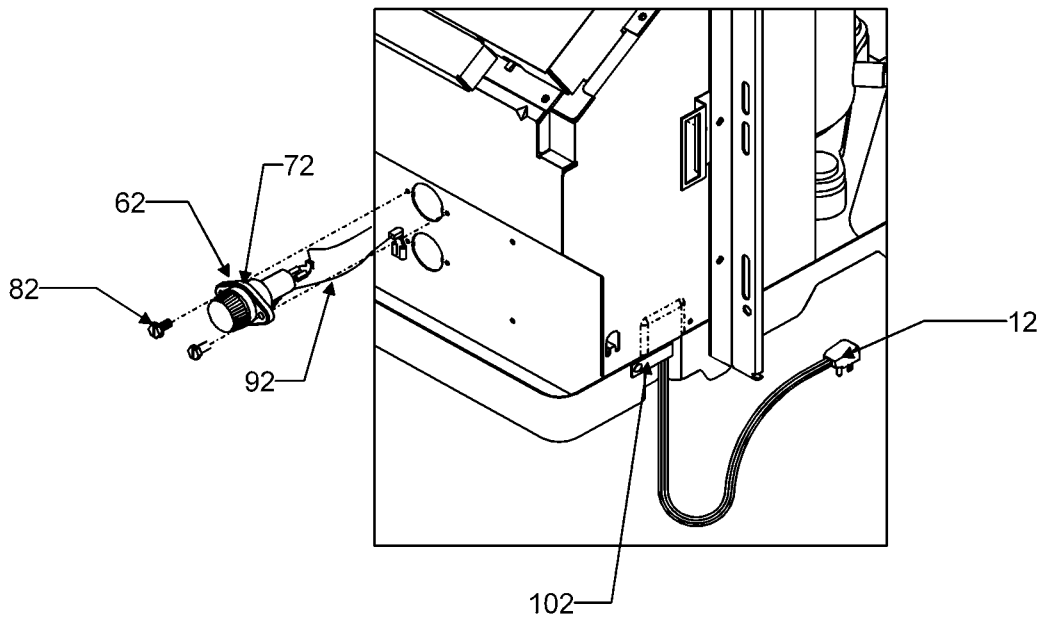
# Heater



SINGLE STAGE HEAT

Image 1

Image 2



# Heater

Ref Part No:	Description:	Ref. Part No:	Description:
--------------	--------------	---------------	--------------

---

*Image 1:*

21	20252008	HTR 4 3.7KW ASSY
51	M0216716	SCREW-SM (QTY 2)
141	10839722	GASKET .25X.06
151	M0216716	SCREW-SM (QTY 2)

*Image 2:*

12	11114701	CORD-277V-20A
62	C6476002	HOLDER-BAYONET FUSE
72	A3410403	FUSE-20A
82	M0213817	SCREW-SM (QTY 2)
92	10618850	WIRE-JUMPER BK18
102	M0103906	CLAMP-SPEED

Expanded Model Nomenclature

M1 - PTH094A35DC	P1225312R
M2 - PTH094A35KC	P1225606R
M3 - PTH094A35LC	P1225806R

# Filter-Drier

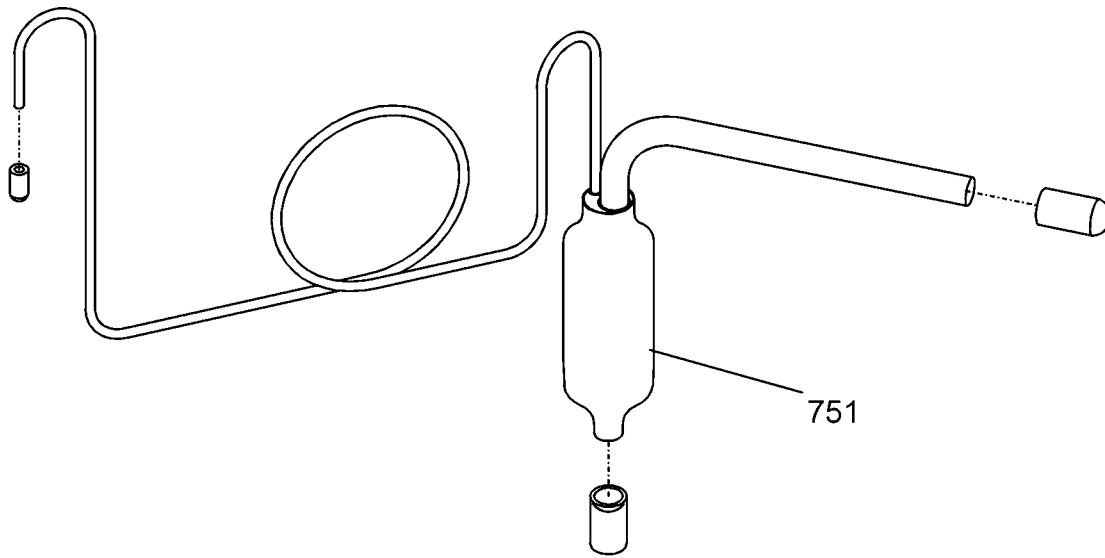
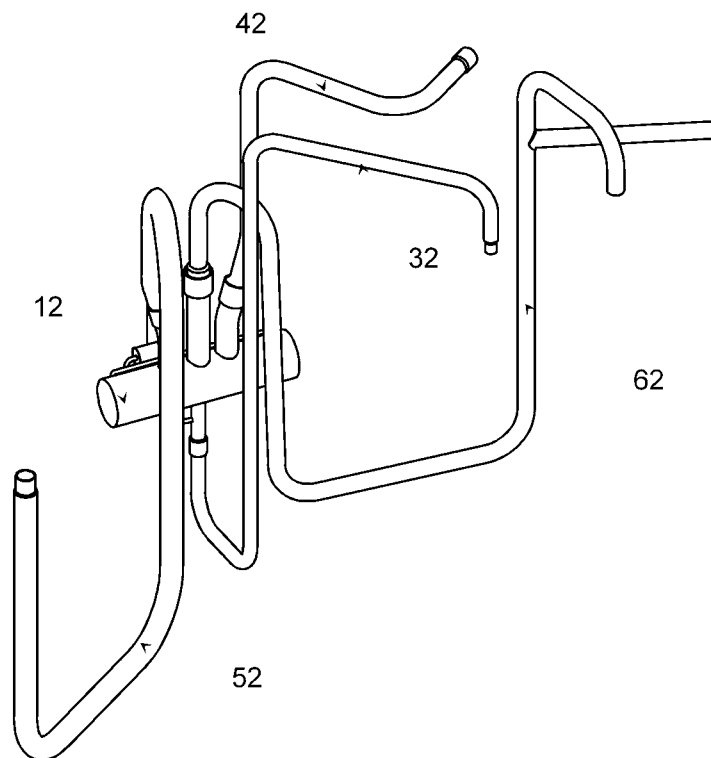


Image 1

Image 2



# Filter-Drier

Ref Part			Ref. Part		
.	No:	Description:	No:	No:	Description:

---

*Image 1:*

751	20284908	DRYER-FILTER
-----	----------	--------------

*Image 2:*

12	20329802	REV VLV ASSY
32	11192202	TUBE-DISCH PTC
42	20329202	TUBE-COND
52	20329102	TUBE-EVAP
62	20042303	TUBE WELD-SUCT

Expanded Model Nomenclature

M1 - PTH094A35DC	P1225312R
M2 - PTH094A35KC	P1225606R
M3 - PTH094A35LC	P1225806R