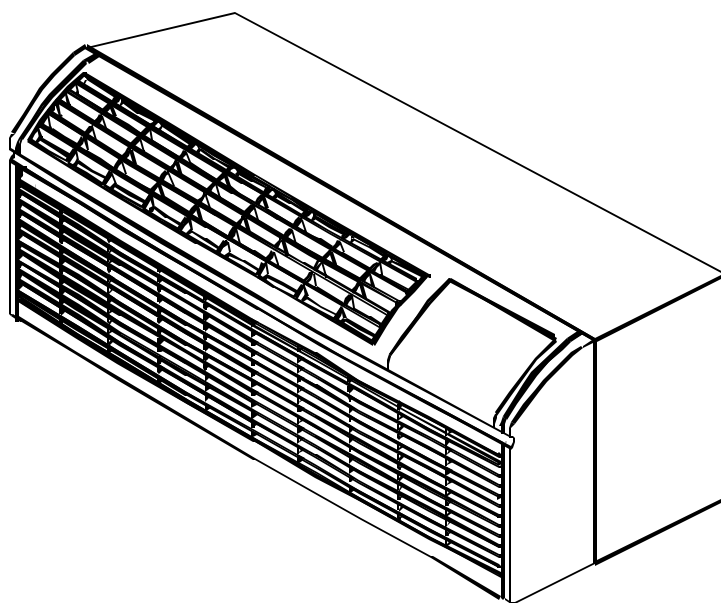


Models and manufacturing numbers in this manual

PTH073A25BC	P1225524R
PTH073A35BC	P1225525R
PTH093A35BC	P1225516R
PTH093A35JC	P1225711R
PTH094A35BC	P1225520R
PTH094A35JC	P1225716R
PTH123A35BC	P1225521R
PTH123A35JC	P1225714R
PTH123A50BC	P1225517R
PTH123A50CC	P1225287R
PTH123A50JC	P1225712R
PTH124A35BC	P1225523R
PTH153A35BC	P1225526R
PTH153A35BC	P1225530R
PTH153A50BC	P1225522R
PTH153A50BC	P1225718R
PTH153A50JC	P1225529R
PTH153A50JC	P1225715R

Parts

Package Terminal Heat Pump



This manual is to be used by qualified appliance technicians only. Amana does not assume any responsibility for property damage or personal injury for improper service procedures performed by an unqualified person.

Amana
Heating, Air Conditioning
Comfort. Quality. Trust.

RP4220026
Revision 1
March 2002

Important Information

Amana is not responsible for personal injury or property damage resulting from improper service. Review all service information before beginning repairs.

Warranty service must be performed by an authorized technician, using authorized factory parts. If service is required after the warranty expires, Amana also recommends contacting an authorized technician and using authorized factory parts.

For assistance within the U.S.A. contact:

Consumer Affairs Department
Amana Heating and Air Conditioning
1810 Wilson Parkway
Fayetteville, TN 37334
877-254-4729-Telephone
931-438-2922-Facsimile

For assistance outside the U.S.A. contact:

International Division
Amana Heating and Air Conditioning
1810 Wilson Parkway
Fayetteville, TN 37334
931-438-3632-Telephone
931-438-2922-Facsimile

Index

Functional Parts List	4 - 5
Illustration and Parts	6 - 21

Views shown are for parts illustrations only, not servicing procedures.

Text Codes:

AR - As Required

NA - Not Available

NS - Not Shown

00000000 - See Note

QTY - Quantity Example (QTY 3) (If Quantity not shown, Quantity = 1)

M - Model Example (M1) (If M Code not shown, then part is used on all Models)

Expanded Model and Color Nomenclature:

Example	
M1 - Model#1	P _____
M2 - Model#2	P _____
M3 - Model#3	P _____

Functional Parts

Part

No: Description:

D6789051	CAPACITOR (M5, M6, M12, M13, M15)
D6789024	CAPACITOR-DUAL
D6789049	CAPACITOR-POLY (M7, M10, M14)
D6789054	CAPACITOR-ROUND (M4, M8, M9, M11)
D6789063	CAPACITOR-ROUND (M1, M3)
D6789060	CAPACITOR-ROUND (M2)
D6926120	COMP 2K21S236C-7A
D6926116	COMP 2K21S3R236A (M7, M10, M14)
D6985807	COMP-PN 2P17S3R236A (M5, M6, M12, M13, M15)
D6985810	COMP-PN 2P17S3R276A (M2)
D6887709	COMP-PN 2R10S3R236A (M8, M9)
D6887711	COMP-PN 2R13S3R236A (M4, M11)
D6887712	COMP-PN 2R13S3R276A (M1, M3)
20007504	COND ASSY (M2, M5, M6, M7, M10, M12, M13, M15, M16, M17, M18)
20007503	COND ASSY (M1, M3, M4, M11)
20007702	COND ASSY (M8, M9, M14)
11114401	CORD-250V 15A (M8)
11114501	CORD-250V 20A (M4, M6, M9, M10, M11, M13, M17)
11114601	CORD-250V 30A (M5, M7, M12, M14, M15, M16, M18)
11114701	CORD-277V-20A (M1, M2, M3)
11165703	EVAP ASSY (M1, M3, M4, M11)
11165803	EVAP ASSY (M2, M5, M6, M7, M8, M9, M10, M12, M13, M14)
11165603	EVAP ASSY (M15, M16, M17, M18)
20284908	FILTER DRYER (M1, M3, M4, M11)
20284907	FILTER DRYER (M8, M9)
20284910	FILTER DRYER (M2, M5, M6, M12, M13, M15)
20284912	FILTER DRYER (M7, M10, M14, M16, M17, M18)
RF000034	FILTER DRYER ASSEMBLY (M7, M10, M14, M15, M16, M17, M18)
A3410403	FUSE-20A (M1, M2, M3)
10685008	HARNESS-COIL
20252002	HTR 3 2.5KW ASSY (M8)
20252003	HTR 3 3.5KW ASSY (M4, M6, M9, M10, M11, M13, M16)
20252005	HTR 3 5.0KW ASSY (M5, M7, M12, M14, M15, M17, M18)
20252008	HTR 4 3.7KW ASSY (M1, M2, M3)
11172801	MOTOR (M1, M2, M3, M4, M5, M6, M7, M8, M9, M10, M11, M12, M13, M14, M16, M17, M18)
11114910	MOTOR-FAN (M2)
11114908	MOTOR-FAN (M1, M3)
11114907	MOTOR-FAN (M4, M8, M9, M11)
11114909	MOTOR-FAN (M5, M6, M7, M10, M12, M13, M14, M15, M16, M17, M18)
20295502	PC BOARD
20329702	REV VLV WELD (M2)
20329701	REV VLV WELD (M5, M6, M12, M13, M15)
20329703	REV VLV WELD (M7, M10, M14, M16, M17, M18)
20295702	THERMISTOR
20295701	THERMISTOR
11172101	TRANSFORMER (M1, M2, M3, M15)
B1378501	TRANSFORMER (M4, M5, M6, M7, M8, M9, M10, M11, M12, M13, M14, M16, M17, M18)
11044101	WHEEL-BLOWER

Functional Parts

Part

No: Description:

SPECIAL PARTS

11113306 MANUAL-OWNERS
RP4220026 PARTS MANUAL
RS4200003 SERVICE MANUAL
11046401 WARRANTY

Expanded Model and Color Nomenclature

M1 - PTH094A35BC	P1225520R
M2 - PTH124A35BC	P1225523R
M3 - PTH094A35JC	P1225716R
M4 - PTH093A35BC	P1225516R
M5 - PTH123A50BC	P1225517R
M6 - PTH123A35BC	P1225521R
M7 - PTH153A50BC	P1225522R
M8 - PTH073A25BC	P1225524R
M9 - PTH073A35BC	P1225525R
M10 - PTH153A35BC	P1225526R
M11 - PTH093A35JC	P1225711R
M12 - PTH123A50JC	P1225712R
M13 - PTH123A35JC	P1225714R
M14 - PTH153A50JC	P1225715R
M15 - PTH123A50CC	P1225287R
M16 - PTH153A50JC	P1225529R
M17 - PTH153A35BC	P1225530R
M18 - PTH153A50BC	P1225718R

Front/Chassis

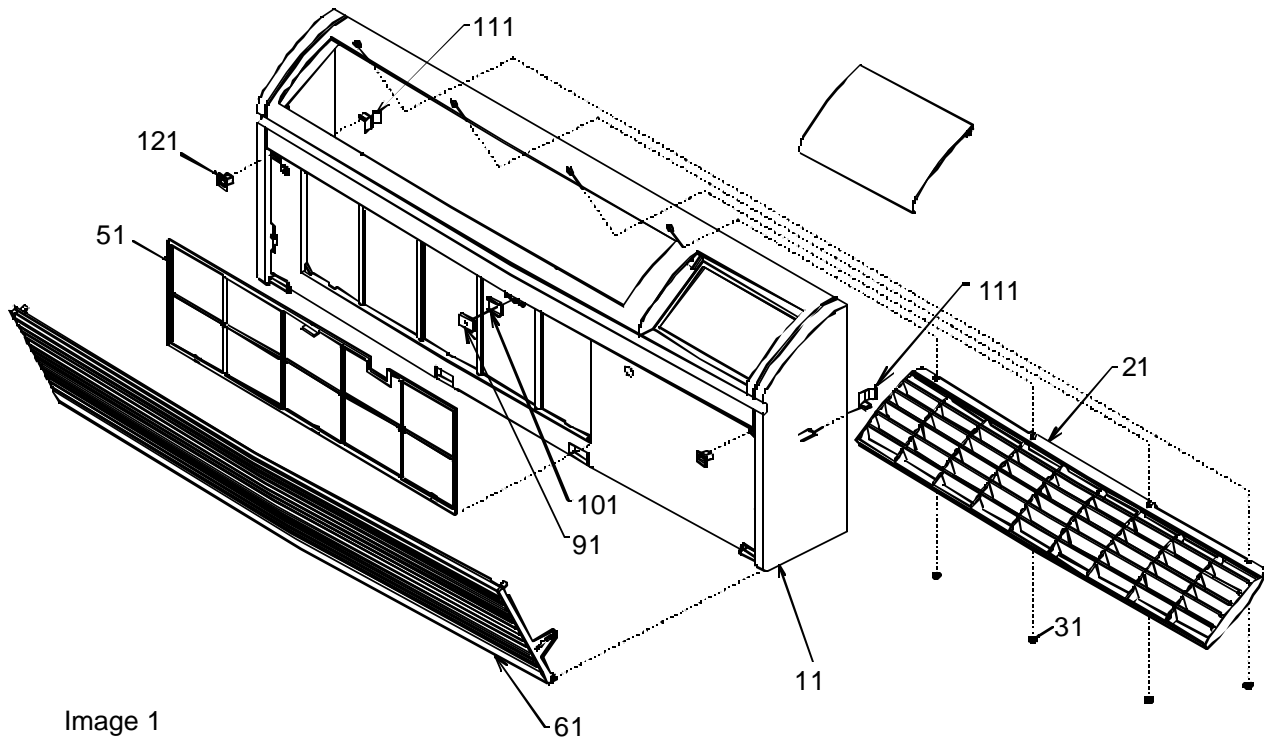
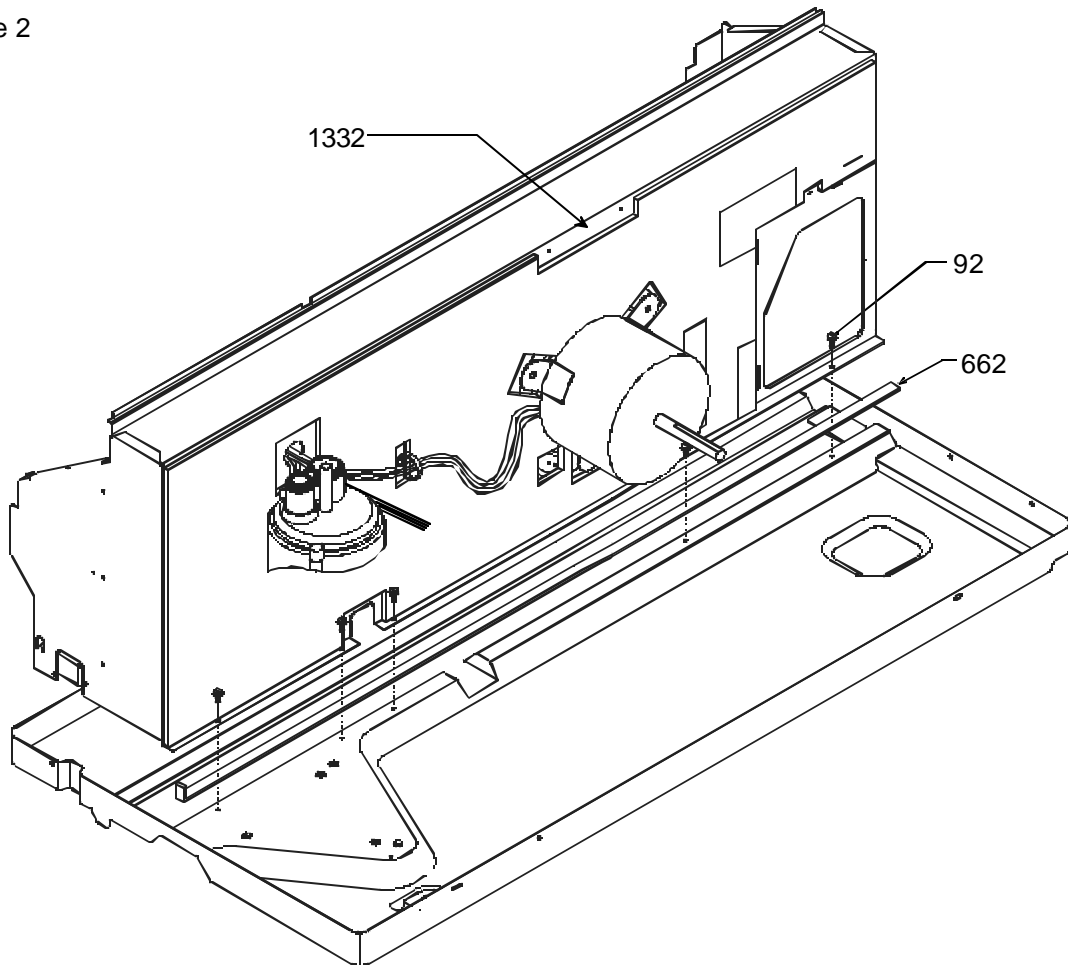


Image 1

Image 2



Front/Chassis

Ref. Part No:	Ref. Part No:	Description:	Description:
---------------	---------------	--------------	--------------

Image 1:

11	11042701A	FRONT
21	11167401	GRILLE-DISCHARGE
31	M0293604	PALNUT (QTY 4)
51	11045201	FILTER
61	20282501	GRILLE ASSY
91	M0216716	SCREW-SM (QTY AR)
101	11047201	HOLDER-MAGNET
111	11045102	CLIP-SIDE (QTY 2)
121	10690002	DOOR CATCH ASSY (QTY 2)

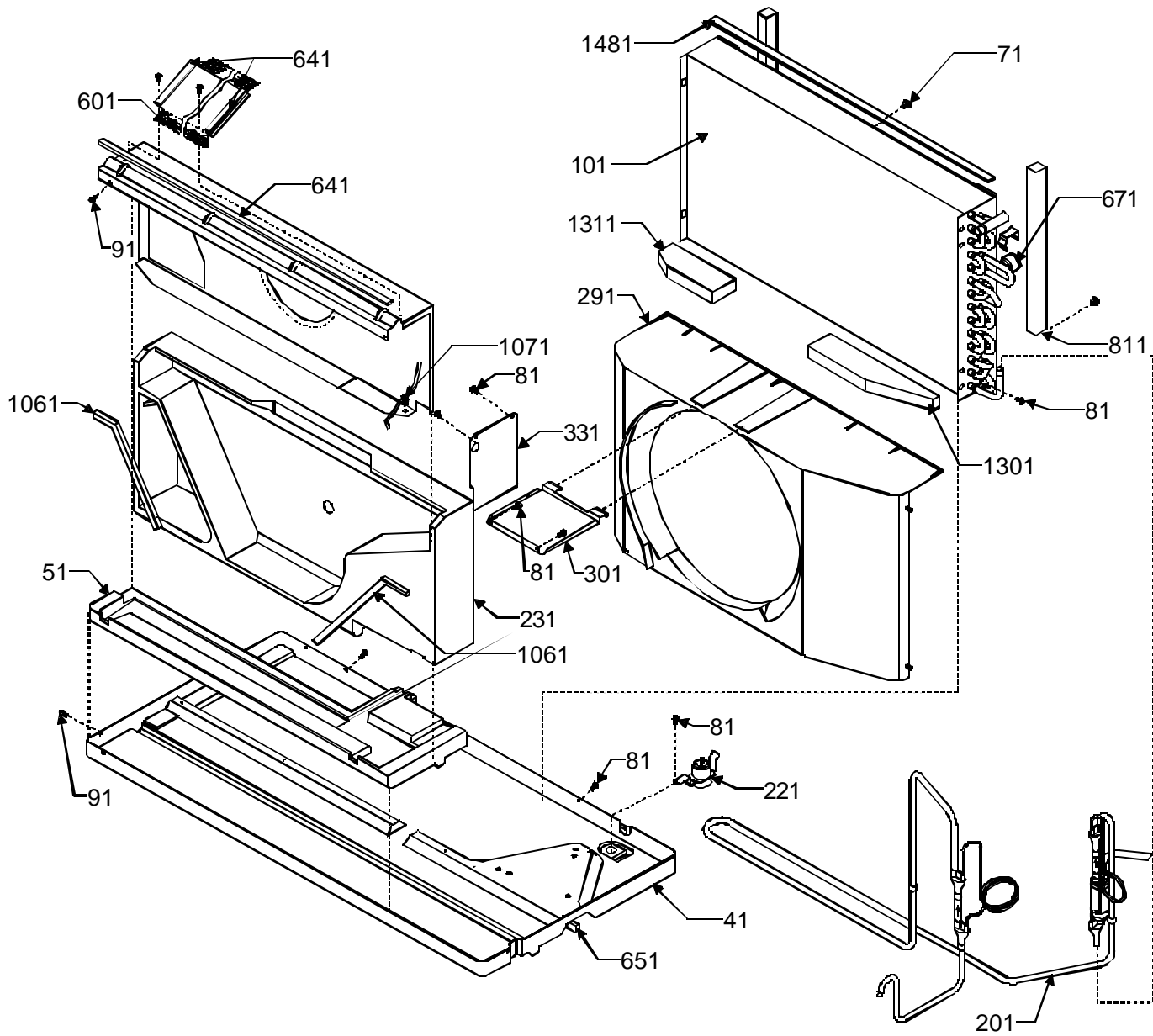
Image 2:

92	M0216716	SCREW-SM (QTY AR)
662	10839823	GASKET-.12X.50X41
1332	20208601	INSUL-PARTITION PNL
9992	11178301	BUMPER (M1, M2, M3, M4, M5, M6, M7, M8, M9, M10, M11, M12, M13, M14, M16, M17, M18)

Expanded Model and Color Nomenclature

M1 - PTH094A35BC	P1225520R
M2 - PTH124A35BC	P1225523R
M3 - PTH094A35JC	P1225716R
M4 - PTH093A35BC	P1225516R
M5 - PTH123A50BC	P1225517R
M6 - PTH123A35BC	P1225521R
M7 - PTH153A50BC	P1225522R
M8 - PTH073A25BC	P1225524R
M9 - PTH073A35BC	P1225525R
M10 - PTH153A35BC	P1225526R
M11 - PTH093A35JC	P1225711R
M12 - PTH123A50JC	P1225712R
M13 - PTH123A35JC	P1225714R
M14 - PTH153A50JC	P1225715R
M15 - PTH123A50CC	P1225287R
M16 - PTH153A50JC	P1225529R
M17 - PTH153A35BC	P1225530R
M18 - PTH153A50BC	P1225718R

Chassis



Chassis

Ref. Part No:	Part No:	Description:	Ref. Part No:	Part No:	Description:
---------------	----------	--------------	---------------	----------	--------------

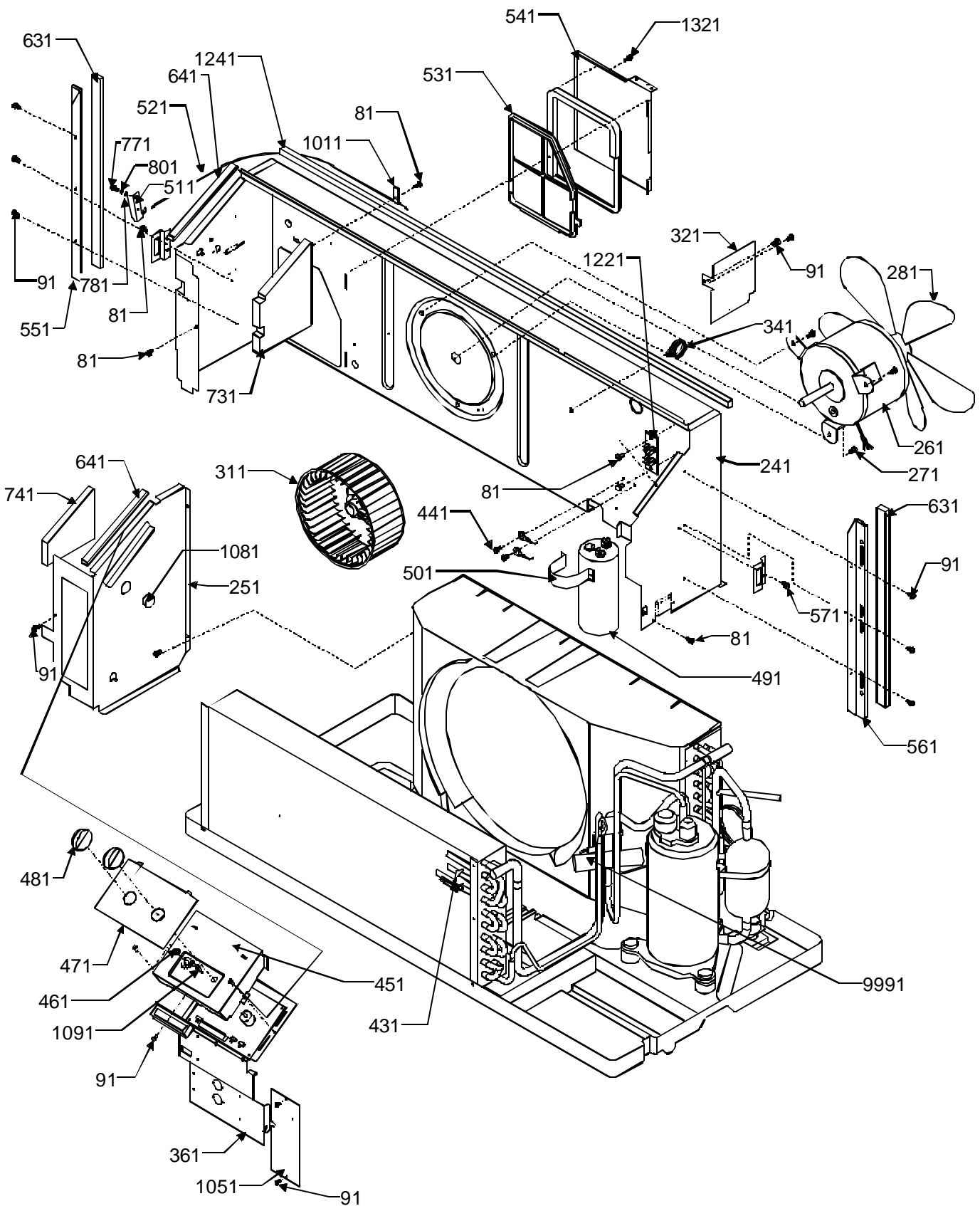
Image 1:

41	11042510	BASEPAN-PNT (M1, M2, M3, M4, M5, M6, M7, M8, M9, M10, M11, M12, M13, M14, M16, M17, M18)
41	11042511	BASEPAN-PNT (M15)
51	11044702	PAD-EVAP
71	A3315701	GROMMET (QTY 4)
81	M0213817	SCREW-SM (M1, M2, M3)
91	M0216716	SCREW-SM (QTY AR)
101	20007503	COND ASSY (M1, M3, M4, M11)
101	20007504	COND ASSY (M2, M5, M6, M7, M10, M12, M13, M15, M16, M17, M18)
101	20007702	COND ASSY (M8, M9, M14)
201	RF000034	FILTER DRYER ASSEMBLY (M7, M10, M14, M15, M16, M17, M18)
221	11043402	VALVE-DRAIN PAN
231	11045802	SCROLL-BLOWER
291	11167301	SHROUD-COND
301	11044201	BRACE-TIE
331	11046501	BAFFLE-TOP
601	11123904	SCREEN-PNT DISCH
641	10839705	GASKET .50X.25 (QTY AR)
651	10839808	GASKET-.37X.50 (QTY AR)
671	20295704	OUTDOOR THERMISTOR
811	10839712	GASKET .62X.75 (QTY AR)
1061	10839706	GASKET .50X.50 (QTY AR)
1071	M0120801	CLIP-GUIDE
1301	20189701	INSUL-COND RH
1311	20189801	INSUL-COND LH
1481	10839822	GASKET-24.25X.50

Expanded Model and Color Nomenclature

M1 - PTH094A35BC	P1225520R
M2 - PTH124A35BC	P1225523R
M3 - PTH094A35JC	P1225716R
M4 - PTH093A35BC	P1225516R
M5 - PTH123A50BC	P1225517R
M6 - PTH123A35BC	P1225521R
M7 - PTH153A50BC	P1225522R
M8 - PTH073A25BC	P1225524R
M9 - PTH073A35BC	P1225525R
M10 - PTH153A35BC	P1225526R
M11 - PTH093A35JC	P1225711R
M12 - PTH123A50JC	P1225712R
M13 - PTH123A35JC	P1225714R
M14 - PTH153A50JC	P1225715R
M15 - PTH123A50CC	P1225287R
M16 - PTH153A50JC	P1225529R
M17 - PTH153A35BC	P1225530R
M18 - PTH153A50BC	P1225718R

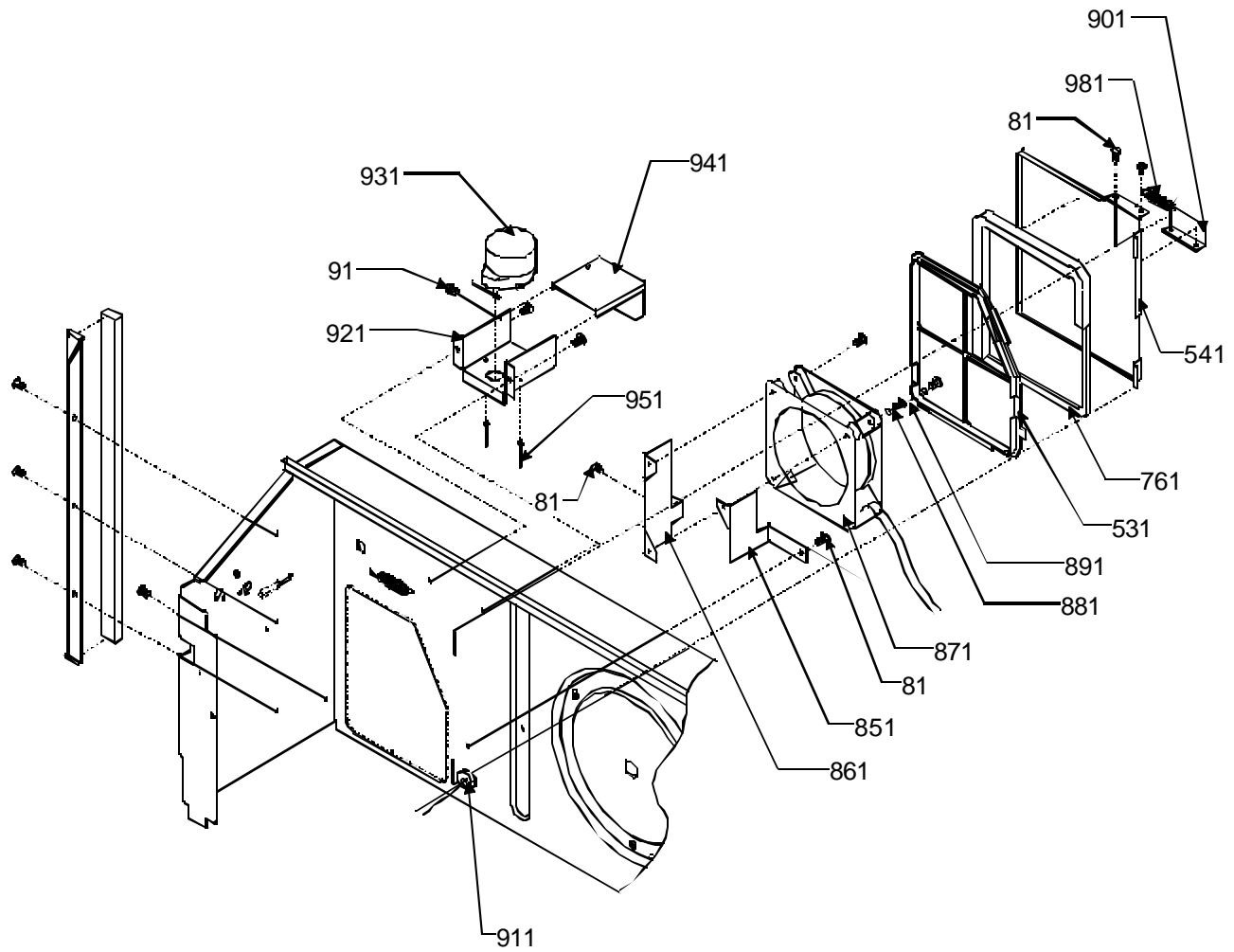
Chassis



Chassis

Ref. Part No:	Ref. Part No:	Description:	Description:	
<i>Image 1:</i>				
81	M0211216	SCREW-SM (QTY AR)	1011 M0108103 CLAMP-TUBE (M15)	
91	11047301	MAGNET	1051 11167602 COVER-ACCESS	
241	11045508	PANEL-PTN (M1, M2, M3, M4, M5, M6, M7, M8, M9, M10, M11, M12, M13, M14, M16, M17, M18)	1081 A4554801 BUSHING-SNAP (M1, M2)	
241	11045509	PANEL-PTN PNT (M15)	1091 M0216529 SCREW-SM (QTY 4)	
251	11167504	PANEL-MID PART	1221 B1160701 BOARD-TERM (M1, M2, M3, M4, M5, M6, M7, M8, M9, M10, M11, M12, M13, M14, M16, M17, M18)	
261	11114907	MOTOR-FAN (M4, M8, M9, M11)	1241 10839814 GASKET-.50X.50 (QTY AR)	
261	11114908	MOTOR-FAN (M1, M3)	1321 M0238833 SCREW-SHLDR (M15)	
261	11114909	MOTOR-FAN (M5, M6, M7, M10, M12, M13, M14, M15, M16, M17, M18)	NS 20329701 REV VLV WELD (M5, M6, M12, M13, M15)	
261	11114910	MOTOR-FAN (M2)	NS 20329702 REV VLV WELD (M2)	
271	M0224956	SCREW-TAP R (QTY 3)	NS 20329703 REV VLV WELD (M7, M10, M14, M16, M17, M18)	
281	20046501	FAN-PL. COND.	Expanded Model and Color Nomenclature	
311	11044101	WHEEL-BLOWER	M1 - PTH094A35BC	P1225520R
321	20245401	BAFFLE-COND INLT	M2 - PTH124A35BC	P1225523R
321	20245402	BAFFLE-PNT COND (M15)	M3 - PTH094A35JC	P1225716R
341	M0118702	CLIP-GUIDE	M4 - PTH093A35BC	P1225516R
361	11121505	CONT PANEL ASSY (M15)	M5 - PTH123A50BC	P1225517R
361	11121703	CONT PANEL ASSY (M4, M5, M6, M7, M8, M9, M10, M11, M12, M13, M14, M16, M17, M18)	M6 - PTH123A35BC	P1225521R
361	11121704	CONT PANEL ASSY (M1, M2, M3)	M7 - PTH153A50BC	P1225522R
431	20075601	CLIP-T-STAT (QTY AR)	M8 - PTH073A25BC	P1225524R
441	M0227803	SCREW-TC (QTY 2)	M9 - PTH073A35BC	P1225525R
451	11044403	COVER-CONT PNL	M10 - PTH153A35BC	P1225526R
461	M0117902	CLIP-TUBULAR	M11 - PTH093A35JC	P1225711R
471	20005701	PLATE-ESC	M12 - PTH123A50JC	P1225712R
481	11042902	KNOB-CONTROL (QTY 2)	M13 - PTH123A35JC	P1225714R
491	D6789051	CAPACITOR (M5, M6, M12, M13, M15)	M14 - PTH153A50JC	P1225715R
491	D6789024	CAPACITOR-DUAL (M16, M17, M18)	M15 - PTH123A50CC	P1225287R
491	D6789049	CAPACITOR-POLY (M7, M10, M14)	M16 - PTH153A50JC	P1225529R
491	D6789054	CAPACITOR-ROUND (M4, M8, M9, M11)	M17 - PTH153A35BC	P1225530R
491	D6789060	CAPACITOR-ROUND (M2)	M18 - PTH153A50BC	P1225718R
491	D6789063	CAPACITOR-ROUND (M1, M3)		
501	C6300502	STRAP-CAP CO (M1, M2, M3, M4, M5, M6, M7, M8, M9, M10, M11, M12, M13, M14, M15)		
501	C6300503	STRAP-CAP CO (M16, M17, M18)		
511	11046302	LEVER ARM (M15)		
521	11115401	CABLE (M15)		
531	11046201	FILTER-VENT		
541	11046106	DOOR-PNT VENT (M15)		
551	11044902	SEAL-L SIDE		
561	11044901	SEAL-R SIDE		
571	11191702	BRACKET-PTN PNL (QTY 2)		
631	10839807	GASKET-.37X.75 (QTY AR)		
641	10839705	GASKET .50X.25 (QTY AR)		
731	11122901	INSUL-LEFT		
741	11123001	INSUL-RIGHT		
771	M0220757	SCREW-SHLDR (M15)		
781	M0273701	WASHER-SPRING (M15)		
801	M0270529	WASHER-FLAT (M15)		

Power Vent/Door



Power Vent/Door

Ref. Part

No: No: Description:

Image 1:

81	M0211216	SCREW-SM (QTY AR)
91	M0216716	SCREW-SM (QTY AR)
531	11046201	FILTER-VENT
541	11046105	DOOR-VENT
761	10839810	GASKET-.18X.38 (QTY AR)
851	11135801	BRKT-R FAN (M1, M2, M4, M5, M6, M7, M8, M9, M10, M16, M17)
861	11145801	BRKT-L FAN (M1, M2, M4, M5, M6, M7, M8, M9, M10, M16, M17)
871	11149201	FAN-MUFFIN (M1, M2, M4, M5, M6, M7, M8, M9, M10, M16, M17)
881	M0272802	WASHER-LOCK (M1, M2, M4, M5, M6, M7, M8, M9, M10, M16, M17)
891	M0211011	SCREW-SM (M1, M2, M4, M5, M6, M7, M8, M9, M10, M16, M17)
901	11166301	BRKT-PWR VENT (M1, M2, M3, M4, M5, M6, M7, M8, M9, M10, M11, M12, M13, M14, M16, M17, M18)
911	M0370005	RELIEF-STRAIN (M1, M2, M4, M5, M6, M7, M8, M9, M10, M16, M17, M18)
921	11166101	BRKT-MOTOR (M1, M2, M3, M4, M5, M6, M7, M8, M9, M10, M11, M12, M13, M14, M16, M17, M18)
931	11172801	MOTOR (M1, M2, M3, M4, M5, M6, M7, M8, M9, M10, M11, M12, M13, M14, M16, M17, M18)
941	11166201	BRKT-COVER (M1, M2, M3, M4, M5, M6, M7, M8, M9, M10, M11, M12, M13, M14, M16, M17, M18)
951	A4539606	RIVET-POP (M1, M2, M3, M4, M5, M6, M7, M8, M9, M10, M11, M12, M13, M14, M16, M17, M18)
981	11166401	SPRING-EXTENSION (M1, M2, M3, M4, M5, M6, M7, M8, M9, M10, M11, M12, M13, M14, M16, M17, M18)

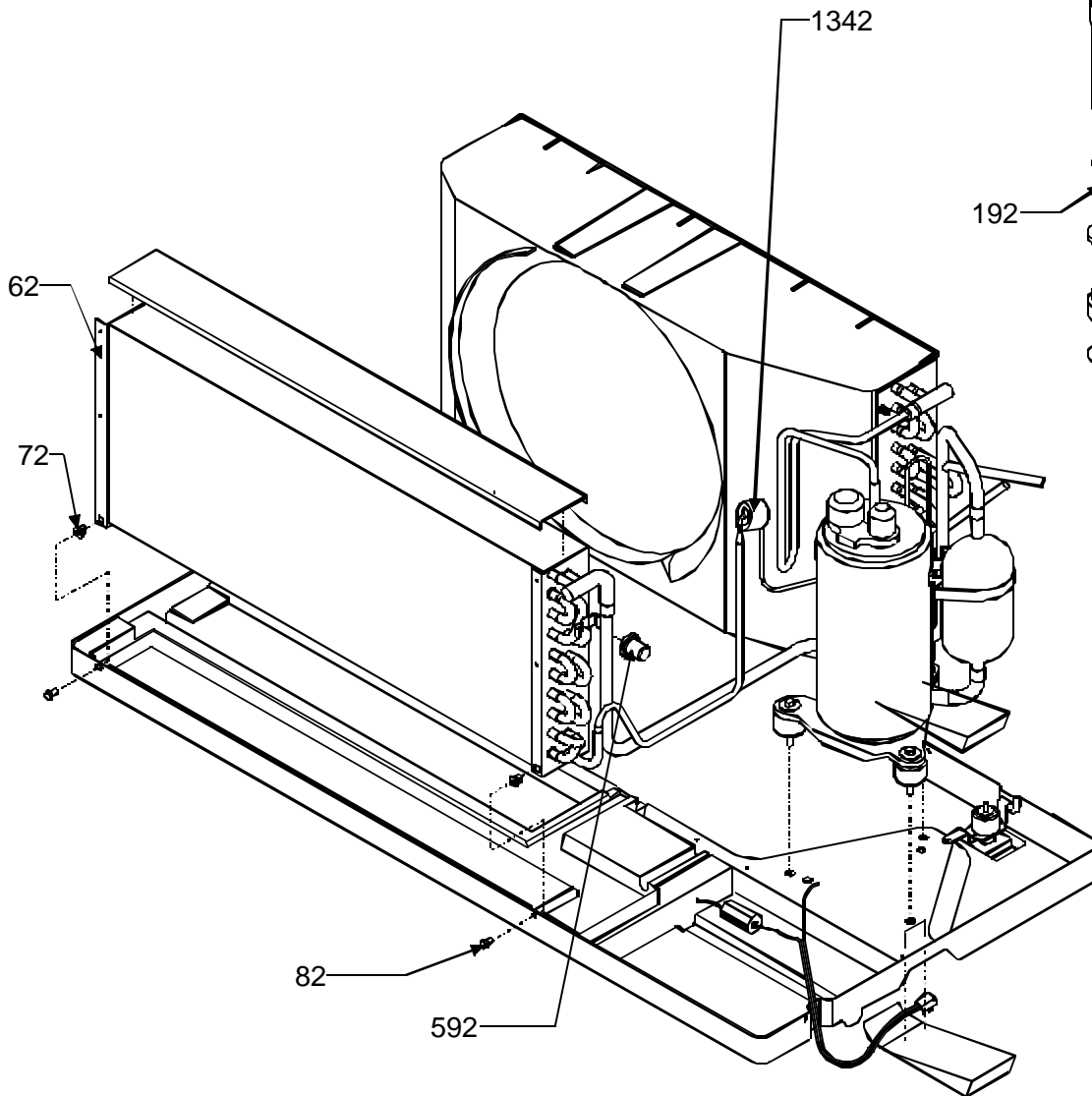
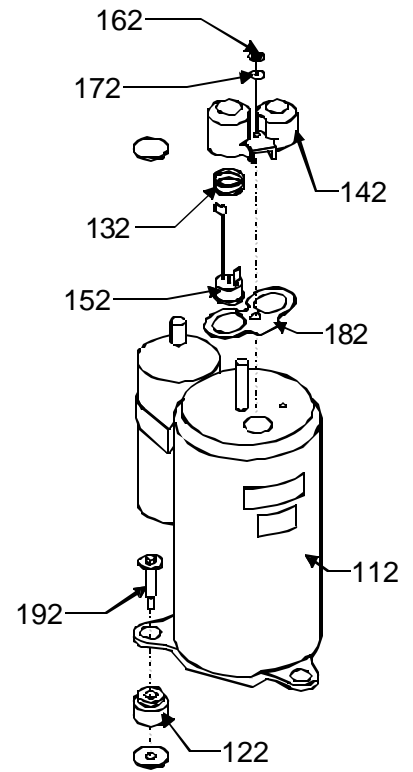
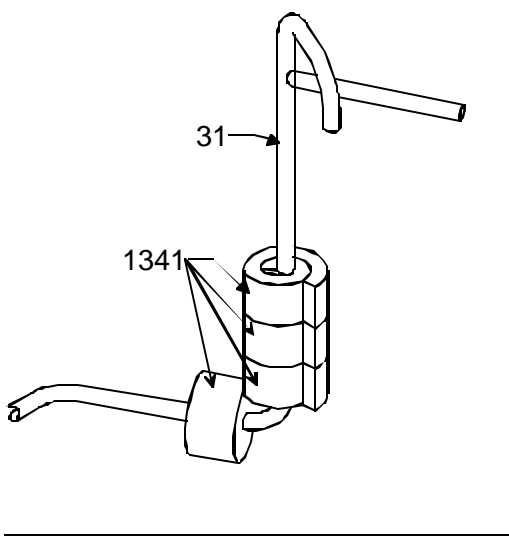
Ref. Part

No: No: Description:

Expanded Model and Color Nomenclature

M1 - PTH094A35BC	P1225520R
M2 - PTH124A35BC	P1225523R
M3 - PTH094A35JC	P1225716R
M4 - PTH093A35BC	P1225516R
M5 - PTH123A50BC	P1225517R
M6 - PTH123A35BC	P1225521R
M7 - PTH153A50BC	P1225522R
M8 - PTH073A25BC	P1225524R
M9 - PTH073A35BC	P1225525R
M10 - PTH153A35BC	P1225526R
M11 - PTH093A35JC	P1225711R
M12 - PTH123A50JC	P1225712R
M13 - PTH123A35JC	P1225714R
M14 - PTH153A50JC	P1225715R
M15 - PTH123A50CC	P1225287R
M16 - PTH153A50JC	P1225529R
M17 - PTH153A35BC	P1225530R
M18 - PTH153A50BC	P1225718R

Compressor/Tubing



Compressor/Tubing

Ref. Part

No: No: Description:

Image 1:

31	20042003	TUBE-SUCTION (M8, M9)
31	20210802	TUBE-SUCTION (M16, M17, M18)
31	20042203	TUBE-SUCTION SRV (M1, M3, M4, M11)
1341	11154803	SEALER-RUBBER BASED

Image 2:

62	11165603	EVAP ASSY (M15, M16, M17, M18)
62	11165703	EVAP ASSY (M1, M3, M4, M11)
62	11165803	EVAP ASSY (M2, M5, M6, M7, M8, M9, M10, M12, M13, M14)
72	A3315701	GROMMET (QTY 4)
82	M0211216	SCREW-SM (QTY AR)
112	D6926120	COMP 2K21S236C-7A (M16, M17, M18)
112	D6926116	COMP 2K21S3R236A-7A (M7, M10, M14)
112	D6985807	COMP-PN 2P17S3R236A (M5, M6, M12, M13, M15)
112	D6985810	COMP-PN 2P17S3R276A (M2)
112	D6887709	COMP-PN 2R10S3R236A (M8, M9)
112	D6887711	COMP-PN 2R13S3R236A (M4, M11)
112	D6887712	COMP-PN 2R13S3R276A (M1, M3)
122	A3448601	GROMMET (M2, M5, M6, M7, M10, M12, M13, M14, M15, M16, M17, M18)
122	A4622801	GROMMET (M1, M3, M4, M8, M9, M11)
132	A3436901	SPRING-OVERLOAD
142	20120102	COVER-TERM (M1, M2, M3, M4, M5, M6, M7, M8, M9, M10, M11, M12, M13, M14)
142	20120103	COVER-TERM (M15, M16, M17, M18)
152	D4976682	OVERLOAD (M16, M17, M18)
152	D6961607	OVERLOAD (M7, M10, M14)
152	D6961612	OVERLOAD (M5, M6, M12, M13, M15)
152	D6961636	OVERLOAD (M8, M9)
152	D6961639	OVERLOAD (M4, M11)
152	D6961642	OVERLOAD (M1, M3)
152	D6961643	OVERLOAD (M2)
162	A3436601	NUT-TERM COVER
172	A3436801	GASKET-NUT
182	A3436701	GASKET-TERM COVER
192	M0253610	SCREW-SHLDR (M2, M5, M6, M7, M10, M12, M13, M14, M15, M16, M17, M18)
192	M0253661	SCREW-SHLDR (M1, M3, M4, M8, M9, M11)
592	20295702	THERMISTOR
1342	11154803	SEALER-RUBBER BASED

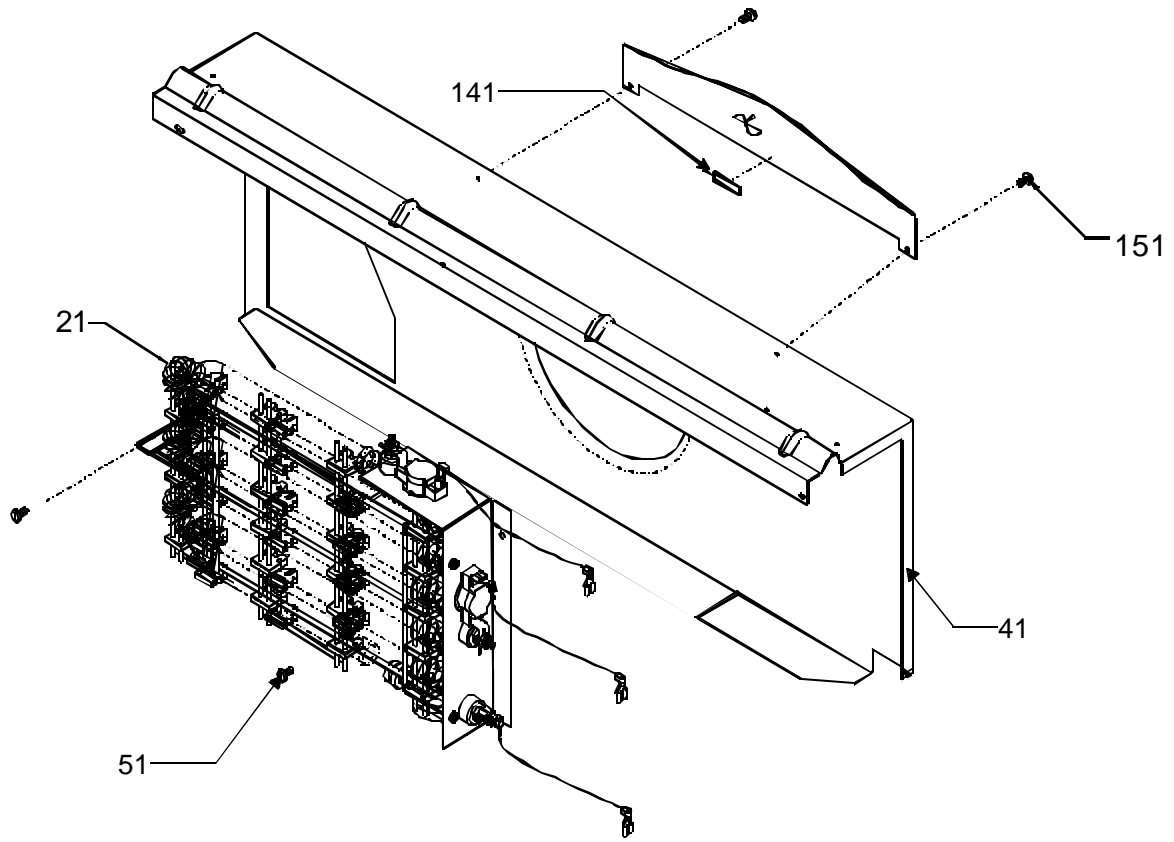
Ref. Part

No: No: Description:

Expanded Model and Color Nomenclature

M1 - PTH094A35BC	P1225520R
M2 - PTH124A35BC	P1225523R
M3 - PTH094A35JC	P1225716R
M4 - PTH093A35BC	P1225516R
M5 - PTH123A50BC	P1225517R
M6 - PTH123A35BC	P1225521R
M7 - PTH153A50BC	P1225522R
M8 - PTH073A25BC	P1225524R
M9 - PTH073A35BC	P1225525R
M10 - PTH153A35BC	P1225526R
M11 - PTH093A35JC	P1225711R
M12 - PTH123A50JC	P1225712R
M13 - PTH123A35JC	P1225714R
M14 - PTH153A50JC	P1225715R
M15 - PTH123A50CC	P1225287R
M16 - PTH153A50JC	P1225529R
M17 - PTH153A35BC	P1225530R
M18 - PTH153A50BC	P1225718R

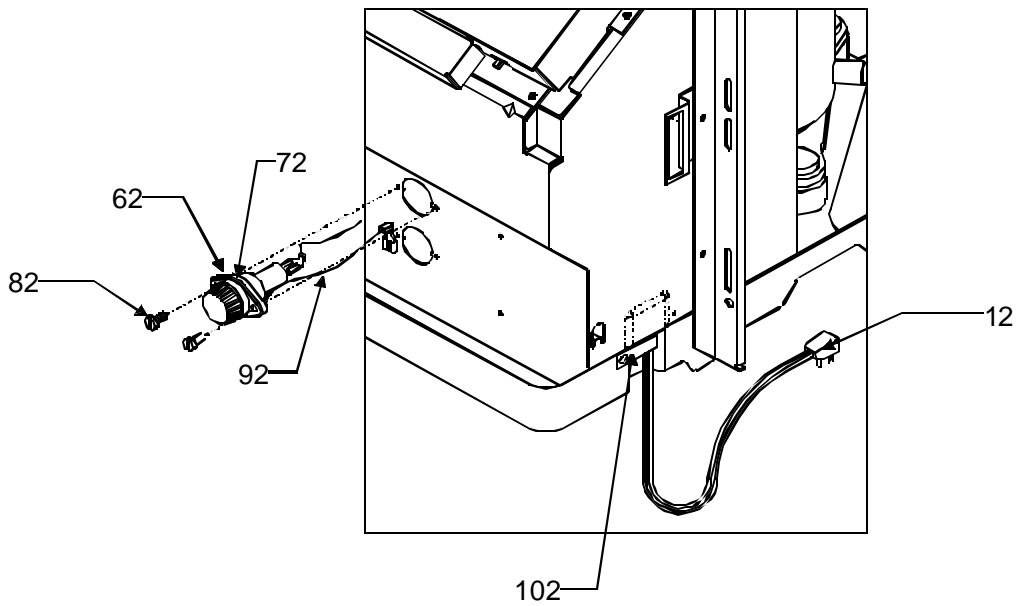
Heater



2 STAGE HEAT

Image 1

Image 2



Heater

Ref. Part No:	Part No:	Description:	Ref. Part No:	Part No:	Description:
---------------	----------	--------------	---------------	----------	--------------

Image 1:

21	20252002	HTR 3 2.5KW ASSY (M8)
21	20252003	HTR 3 3.5KW ASSY (M4, M6, M9, M10, M11, M13, M16)
21	20252005	HTR 3 5.0KW ASSY (M5, M7, M12, M14, M15, M17, M18)
21	20252008	HTR 4 3.7KW ASSY (M1, M2, M3)
41	11044304	BLOWER-INT PNT
51	M0216716	SCREW-SM (QTY 2)
141	10839722	GASKET .25X.06
151	M0216716	SCREW-SM (QTY 2)

Image 2:

12	11114401	CORD-250V 15A (M8)
12	11114501	CORD-250V 20A (M4, M6, M9, M10, M11, M13, M17)
12	11114601	CORD-250V 30A (M5, M7, M12, M14, M15, M16, M18)
12	11114701	CORD-277V-20A (M1, M2, M3)
62	C6476002	HOLDER-BAYONET FUSE (M1, M2, M3)
72	A3410403	FUSE-20A (M1, M2, M3)
82	M0213817	SCREW-SM (M1, M2, M3)
92	10618850	WIRE-JUMPER BK18 (M1, M2, M3)
102	M0103905	CLAMP-SPEED (M8)
102	M0103906	CLAMP-SPEED (M1, M2, M3, M4, M5, M6, M7, M9, M10, M11, M12, M13, M14, M15, M16, M17, M18)

Expanded Model and Color Nomenclature

M1 - PTH094A35BC	P1225520R
M2 - PTH124A35BC	P1225523R
M3 - PTH094A35JC	P1225716R
M4 - PTH093A35BC	P1225516R
M5 - PTH123A50BC	P1225517R
M6 - PTH123A35BC	P1225521R
M7 - PTH153A50BC	P1225522R
M8 - PTH073A25BC	P1225524R
M9 - PTH073A35BC	P1225525R
M10 - PTH153A35BC	P1225526R
M11 - PTH093A35JC	P1225711R
M12 - PTH123A50JC	P1225712R
M13 - PTH123A35JC	P1225714R
M14 - PTH153A50JC	P1225715R
M15 - PTH123A50CC	P1225287R
M16 - PTH153A50JC	P1225529R
M17 - PTH153A35BC	P1225530R
M18 - PTH153A50BC	P1225718R

Control Panel

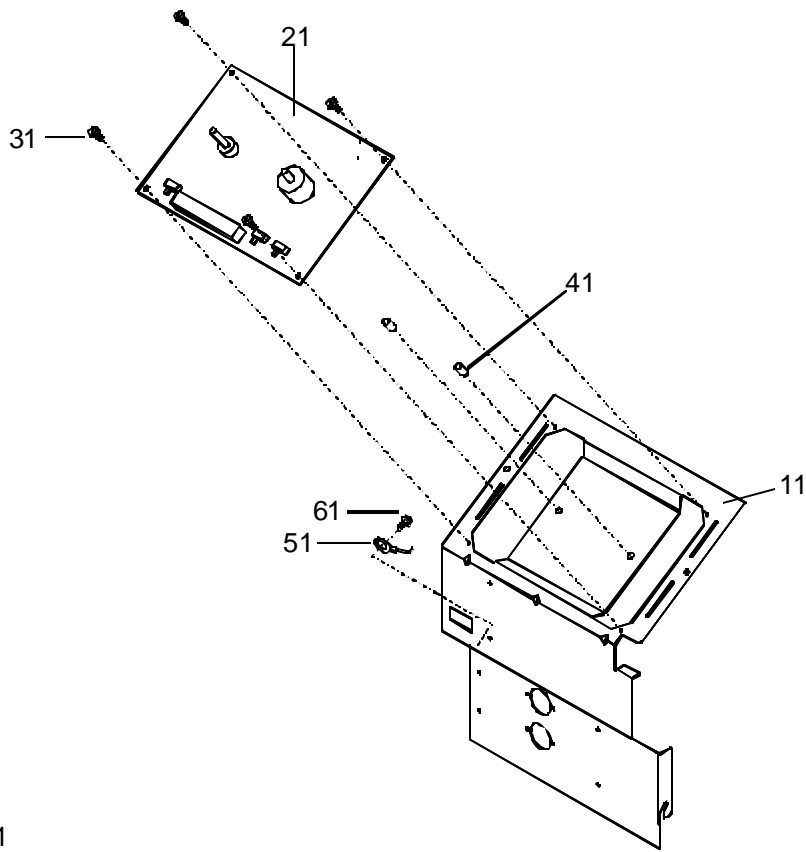
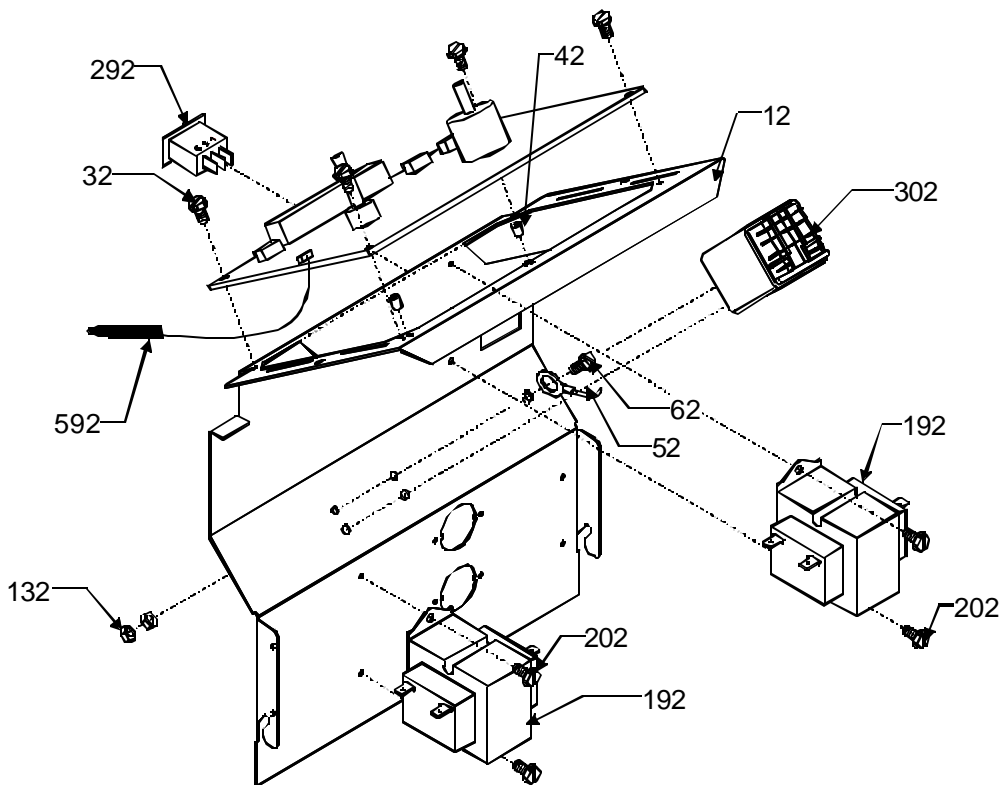


Image 1

Image 2



Control Panel

Ref. Part No:	Part No:	Description:	Ref. Part No:	Part No:	Description:
---------------	----------	--------------	---------------	----------	--------------

Image 1:

11	11044504	PANEL-CONTROL
21	20295502	PC BOARD
31	M0216529	SCREW-SM (QTY 4)
41	M0590702	SUPPORT (QTY 2)
51	10618849	WIRE-JUMPER GN1
61	M0227803	SCREW-TC
131	M0282005	NUT-KEPS (M1, M2, M3, M4, M5, M6, M7, M8, M9, M10, M11, M12, M13, M14, M16, M17, M18)

Image 2:

12	11044504	PANEL-CONTROL
32	M0216529	SCREW-SM (QTY 4)
52	10618849	WIRE-JUMPER GN1
62	M0227803	SCREW-TC
132	M0282005	NUT-KEPS (M1, M2, M3, M4, M5, M6, M7, M8, M9, M10, M11, M12, M13, M14, M16, M17, M18)
192	11172101	TRANSFORMER (M1, M2, M3, M15)
192	B1378501	TRANSFORMER (M4, M5, M6, M7, M8, M9, M10, M11, M12, M13, M14, M16, M17, M18)
202	M0216716	SCREW-SM (QTY 2)
292	B1337701	SWITCH-PADDLE (M1, M2, M3, M4, M5, M6, M7, M8, M9, M10, M11, M12, M13, M14, M16, M17, M18)
302	C8873932	RELAY (M1, M2, M3, M4, M5, M6, M7, M8, M9, M10, M11, M12, M13, M14, M16, M17, M18)
592	20295701	THERMISTOR

Expanded Model and Color Nomenclature

M1 - PTH094A35BC	P1225520R
M2 - PTH124A35BC	P1225523R
M3 - PTH094A35JC	P1225716R
M4 - PTH093A35BC	P1225516R
M5 - PTH123A50BC	P1225517R
M6 - PTH123A35BC	P1225521R
M7 - PTH153A50BC	P1225522R
M8 - PTH073A25BC	P1225524R
M9 - PTH073A35BC	P1225525R
M10 - PTH153A35BC	P1225526R
M11 - PTH093A35JC	P1225711R
M12 - PTH123A50JC	P1225712R
M13 - PTH123A35JC	P1225714R
M14 - PTH153A50JC	P1225715R
M15 - PTH123A50CC	P1225287R
M16 - PTH153A50JC	P1225529R
M17 - PTH153A35BC	P1225530R
M18 - PTH153A50BC	P1225718R

Filter Dryer/Reversing Valve

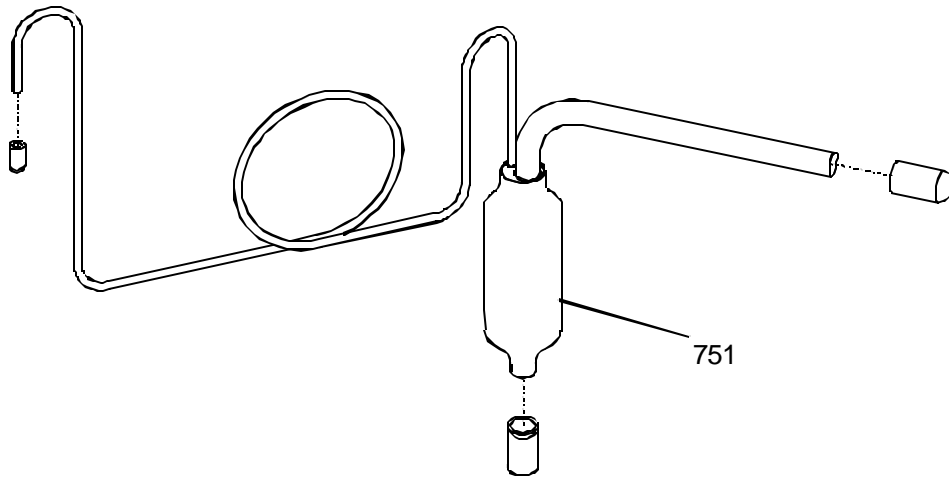


Image 1

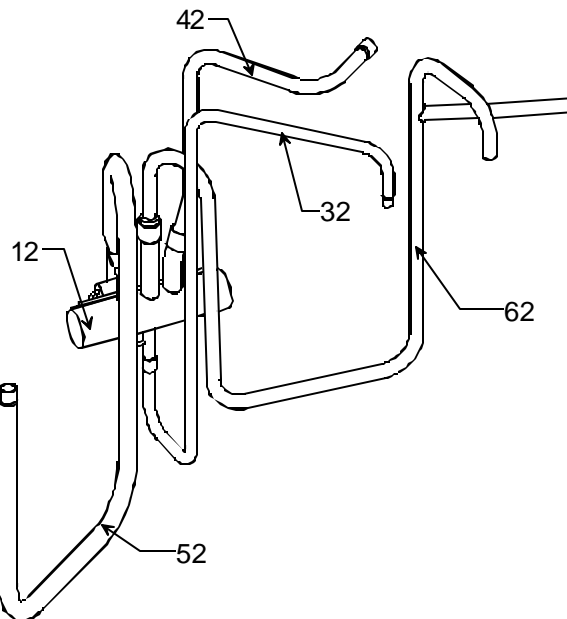


Image 2

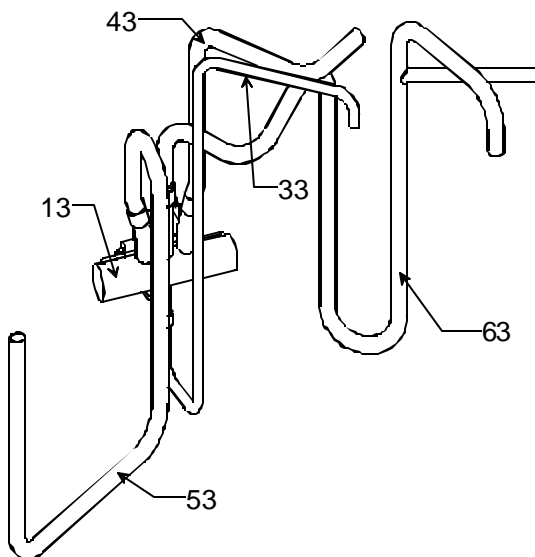


Image 3

Filter Dryer/Reversing Valve

Ref. Part

No: No: Description:

Ref. Part

No: No: Description:

Image 1:

751	20284907	FILTER DRYER (M8, M9)
751	20284908	FILTER DRYER (M1, M3, M4, M11)
751	20284910	FILTER DRYER (M2, M5, M6, M12, M13, M15)
751	20284912	FILTER DRYER (M7, M10, M14, M16, M17, M18)

Image 2:

12	20329802	REV VLV ASSY (M1, M3, M8, M9, M11)
32	11192202	TUBE-DISCH (M1, M3, M8, M9, M11)
42	20329202	TUBE-COND (M1, M3, M8, M9, M11)
52	20329102	TUBE-EVAP (M1, M3, M8, M9, M11)
62	20042303	TUBE WELD-SUCT (M1, M3, M8, M9, M11)

Image 3:

3	11177902	TUBE-DISCH (M16, M17, M18)
13	20329801	REV VLV ASSY (M2, M4, M5, M6, M7, M10, M12, M13, M14, M15, M16, M17, M18)
33	11116902	TUBE-DISCH (M2, M4, M5, M6, M7, M10, M12, M13, M14, M15, M16, M17, M18)
43	20329301	TUBE-COND (M2, M4, M5, M6, M7, M10, M12, M13, M14, M15, M16, M17, M18)
53	20329102	TUBE-EVAP (M2, M4, M5, M6, M7, M10, M12, M13, M14, M15, M16, M17, M18)
63	11192703	TUBE WELD-SUCT (M2, M4, M5, M6, M7, M10, M12, M13, M14, M15, M16, M17, M18)

Expanded Model and Color Nomenclature

M1 - PTH094A35BC	P1225520R
M2 - PTH124A35BC	P1225523R
M3 - PTH094A35JC	P1225716R
M4 - PTH093A35BC	P1225516R
M5 - PTH123A50BC	P1225517R
M6 - PTH123A35BC	P1225521R
M7 - PTH153A50BC	P1225522R
M8 - PTH073A25BC	P1225524R
M9 - PTH073A35BC	P1225525R
M10 - PTH153A35BC	P1225526R
M11 - PTH093A35JC	P1225711R
M12 - PTH123A50JC	P1225712R
M13 - PTH123A35JC	P1225714R
M14 - PTH153A50JC	P1225715R
M15 - PTH123A50CC	P1225287R
M16 - PTH153A50JC	P1225529R
M17 - PTH153A35BC	P1225530R
M18 - PTH153A50BC	P1225718R