

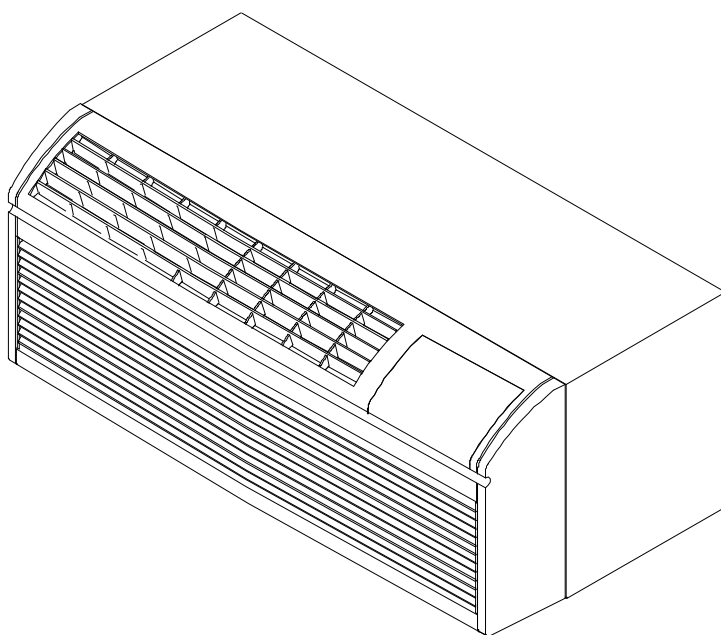
Parts

(P.T.A.C) Heat Pump with Power Vent

Models and manufacturing numbers in this manual

PTH073A25BB	P1225511R
PTH073A35BB	P1225512R
PTH093A35BB	P1225503R
PTH094A35BB	P1225507R
PTH123A35BB	P1225508R
PTH123A50BB	P1225504R
PTH124A35BB	P1225510R
PTH153A35BB	P1225513R
PTH153A50BB	P1225509R

This manual replaces RP4220012 Rev. 1.



This manual is to be used by qualified appliance technicians only. Amana does not assume any responsibility for property damage or personal injury for improper service procedures done by an unqualified person.

Amana

RP4220012
Revision 2
April 1999

Important Information

Amana is not responsible for personal injury or property damage resulting from improper service. Review all service information before beginning repairs.

Warranty service must be performed by an authorized technician, using authorized factory parts. If service is required after the warranty expires, Amana also recommends contacting an authorized technician and using authorized factory parts. Locate an authorized technician by calling 800-NATLSVC (800-628-5782).

For assistance within the U.S.A. contact:

Consumer Affairs Department
Amana
2800 220th Trail
Amana IA 52204-0001
319-622-5511--Telephone
319-622-2977--Facsimile

For assistance outside the U.S.A. contact:

International Division
Amana
2800 220th Trail
Amana IA 52204-0001
USA
319-622-5511--Telephone
319-622-8595--Facsimile

Index

Functional Parts List 4 - 5
Illustration and Parts 6 - 17

Views shown are for parts illustrations only, not servicing procedures.

ADD MODELS P1225511R PTH073A25BB, P1225512R PTH073A35BB, P1225513R PTH153A35BB.

Text Codes:

AR - As Required

0000 - Not Shown

QTY - Quantity Example (QTY 3) (If Quantity not shown, Quantity = 1)

M - Model Example (M1) (If M Code not shown, then part is used on all Models)

NA - Not Available

Expanded Model and Color Nomenclature:

Example	
M1 - Model#1	P _____
M2 - Model#2	P _____
M3 - Model#3	P _____

Functional Parts

Part

No: Description:

B1160701	BOARD-TERM
D6879821	CAPACITOR (M1, M7, M8)
D6789051	CAPACITOR (M2, M4)
D6789049	CAPACITOR-POLY (M5, M9)
D6879842	CAPACITOR-ROUND (M6)
D6879847	CAPACITOR-ROUND (M3)
D6926116	COMP-PN 2K21S3R236A (M5, M9)
D6985807	COMP-PN 2P17S3R236A (M2, M4)
D6985810	COMP-PN 2P17S3R276A (M6)
D6887709	COMP-PN 2R10S3R236A (M7, M8)
D6887711	COMP-PN 2R13S3R236A (M1)
D6887712	COMP-PN 2R13S3R276A (M3)
11114401	CORD-250V 15A (M7)
11114501	CORD-250V 20A (M1, M4, M8, M9)
11114601	CORD-250V 30A (M2, M5)
11114701	CORD-277V-20A (M3, M6)
11046705	DISC-THERMOSTAT
11046702	DISC-THERMOSTAT
11149201	FAN-MUFFIN
M0804204	FUSE-GLASS
10685008	HARNESS-COIL
20252002	HTR 3 2.5KW ASSY (M7)
20252003	HTR 3 3.5KW ASSY (M1, M4, M8, M9)
20252005	HTR 3 5.0 KW ASSY (M5)
11177801	HTR 3 5.0 KW ASSY (M2)
20252008	HTR 4 3.7KW ASSY (M3, M6)
11172801	MOTOR
11114910	MOTOR-FAN (M6)
11114907	MOTOR-FAN (M1, M7, M8)
11114909	MOTOR-FAN (M2, M4, M5, M9)
11114908	MOTOR-FAN (M3)
D6961642	OVERLOAD (M3)
D6961607	OVERLOAD (M5, M9)
D6961612	OVERLOAD (M2, M4)
D6961639	OVERLOAD (M1)
D6961643	OVERLOAD (M6)
D6961636	OVERLOAD (M7, M8)
11043301	PC BOARD
C8873917	RELAY (M2)
C8873932	RELAY
B1337701	SWITCH-PADDLE
B1340113	THERMOSTAT-HEATER (M3, M6)
B1340114	TSTAT DISC TYPE (M7)
B1340115	TSTAT DISC TYPE (M5)
B1158418	TSTAT-DISC TYPE (M2)
B1158417	TSTAT-DISC TYPE (M2)
B1340112	TSTAT-DISC TYPE (M1, M4, M8, M9)
B1340111	TSTAT-DISC TYPE (M1, M3, M4, M6, M7, M8, M9)
B1378501	XFMR (M1, M2, M4, M5, M7, M8, M9)
11172101	XFMR (M3, M6)

Functional Parts

Part

No: Description:

SPECIAL PARTS

11115801 INSTR-CHAS INSTAL
11113301 MANUAL-OWNERS
RP4220012 MANUAL-PARTS

Expanded Model and Color Nomenclature

M1 - PTH093A35BB	P1225503R
M2 - PTH123A50BB	P1225504R
M3 - PTH094A35BB	P1225507R
M4 - PTH123A35BB	P1225508R
M5 - PTH153A50BB	P1225509R
M6 - PTH124A35BB	P1225510R
M7 - PTH073A25BB	P1225511R
M8 - PTH073A35BB	P1225512R
M9 - PTH153A35BB	P1225513R

Front/Chassis

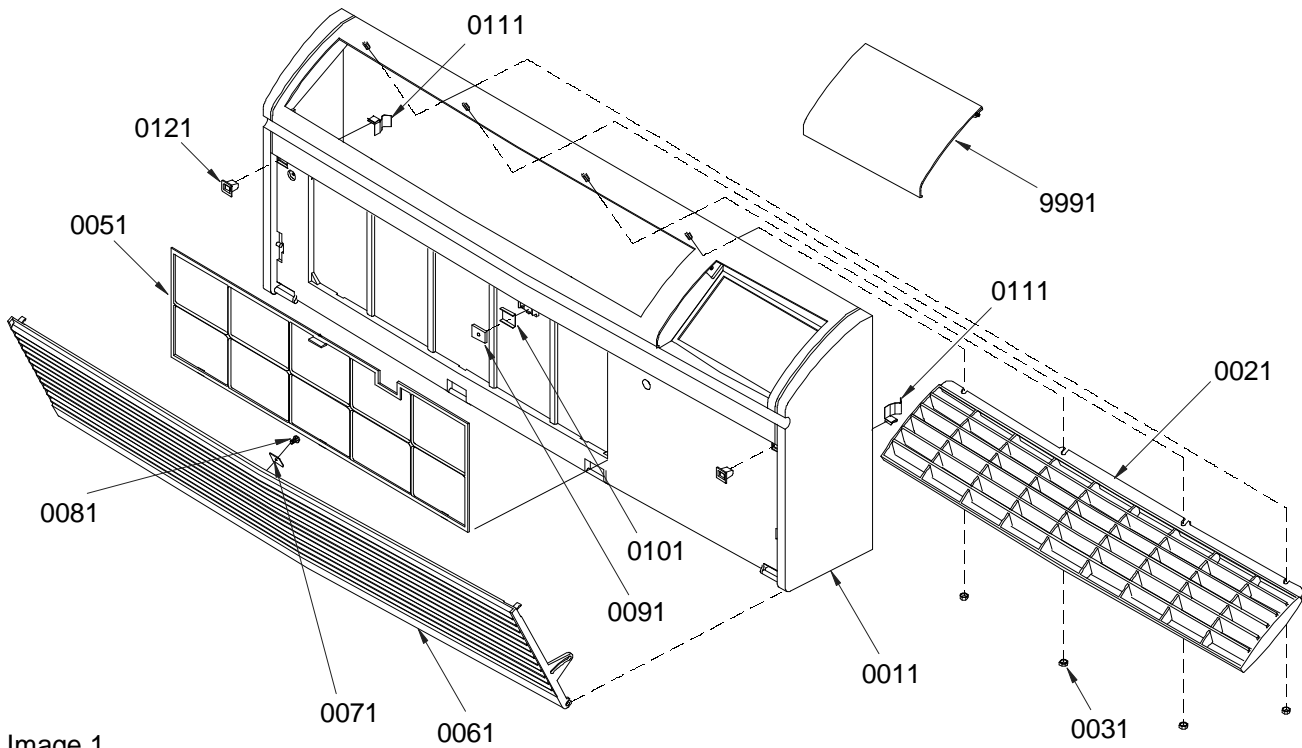
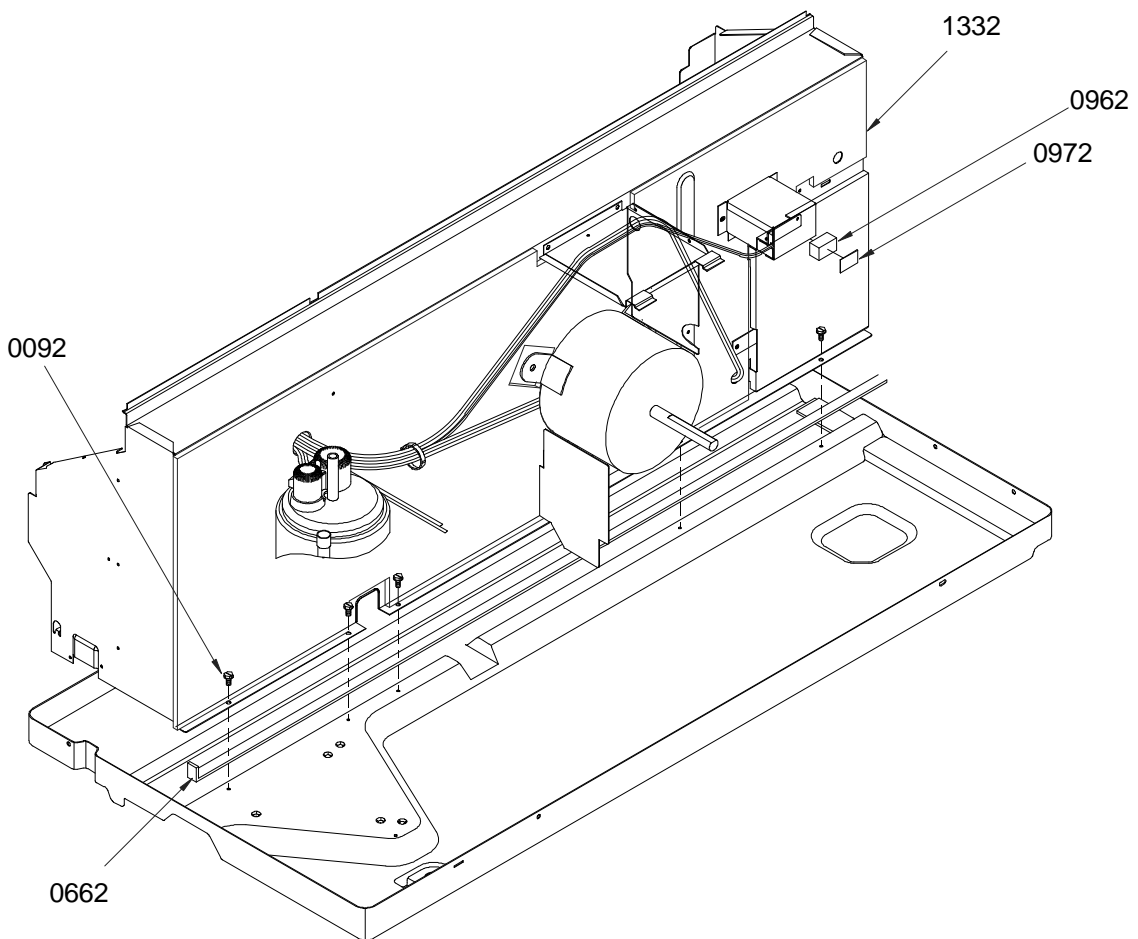


Image 1

Image 2



Front/Chassis

Ref. Part No:	Ref. Part No:	Description:	Description:
---------------	---------------	--------------	--------------

Image 1:

0011	11042701	FRONT
0021	11167401	GRILLE-DISCHARGE
0031	M0293604	PALNUT (QTY AR)
0051	11045201	FILTER
0061	11042602	GRILLE-INTAKE
0071	11047101	STRIKE
0081	M0253217	SCREW-TF
0091	11047301	MAGNET
0101	11047201	HOLDER-MAGNET
0111	11045102	CLIP-SIDE (QTY 2)
0121	10690002	DOOR CATCH ASSY (QTY 2)
9991	11143301	DOOR ASSY-AMANA

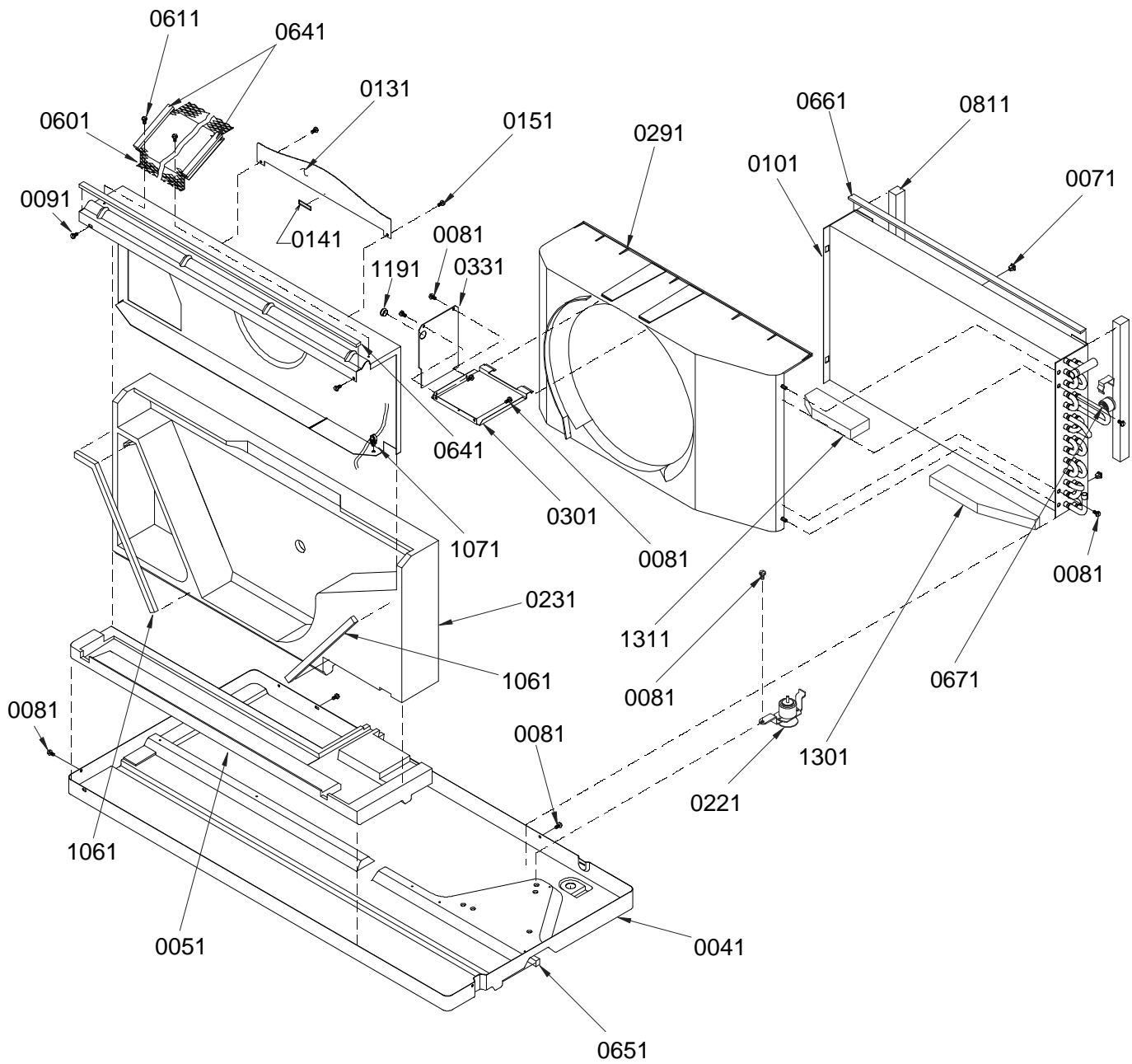
Image 2:

0092	M0216716	SCREW-SM (QTY AR)
0662	10839803	GASKET-CROSS LINK (QTY AR)
0962	11178201	INSUL
0972	11178301	BUMPER
1332	20208601	INSUL-PARTITION PNL

Expanded Model and Color Nomenclature

M1 - PTH093A35BB	P1225503R
M2 - PTH123A50BB	P1225504R
M3 - PTH094A35BB	P1225507R
M4 - PTH123A35BB	P1225508R
M5 - PTH153A50BB	P1225509R
M6 - PTH124A35BB	P1225510R
M7 - PTH073A25BB	P1225511R
M8 - PTH073A35BB	P1225512R
M9 - PTH153A35BB	P1225513R

Chassis



Chassis

Ref. Part No:	Ref. Part No:	Description:	Description:
---------------	---------------	--------------	--------------

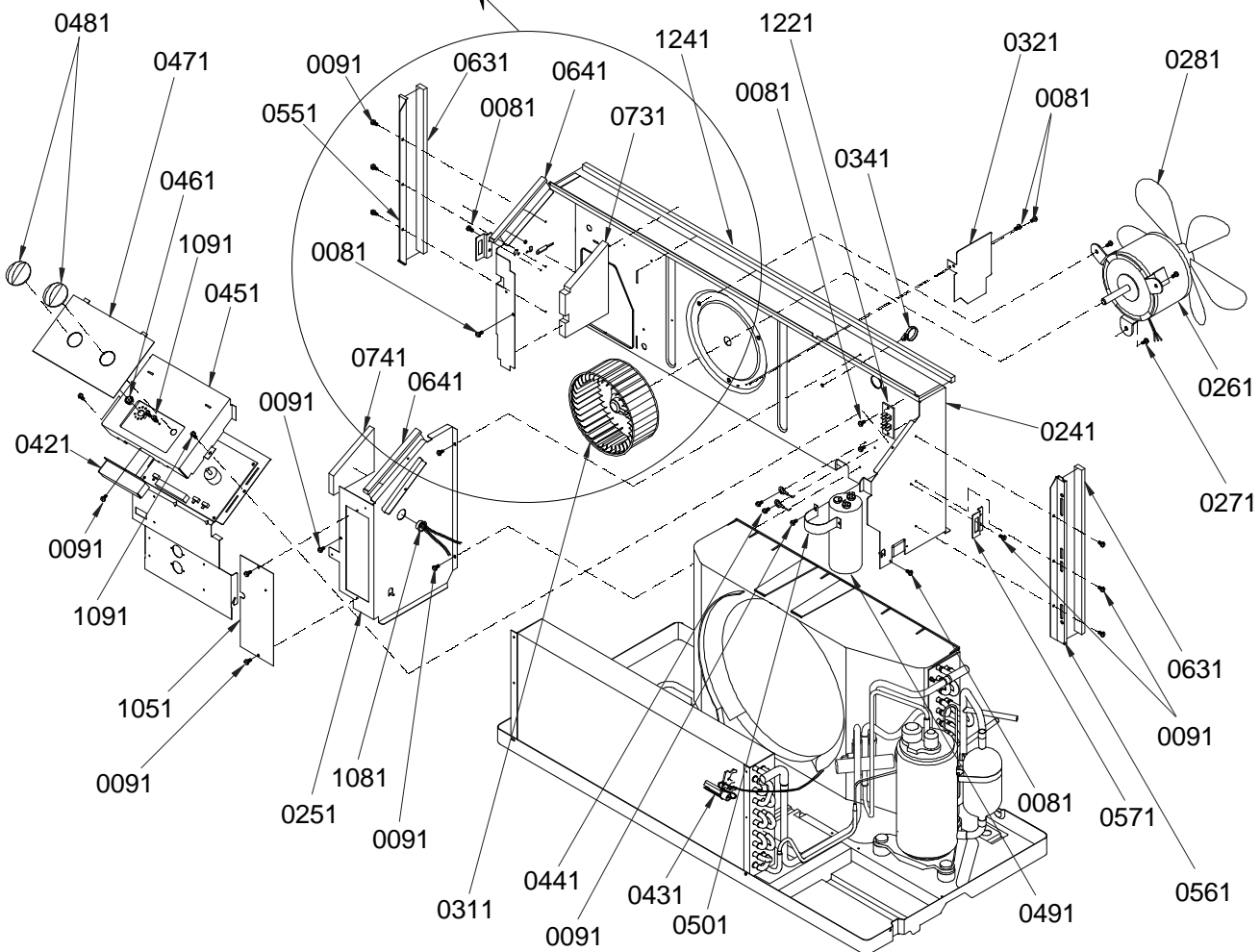
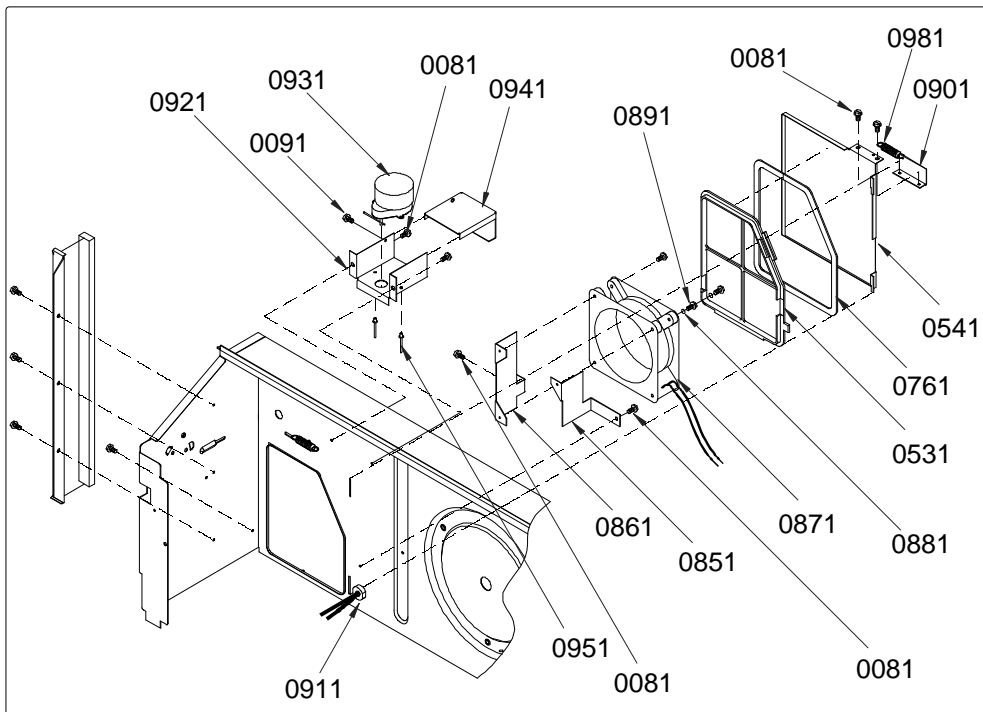
Image 1:

0041	11042507	BASEPAN-PNT
0051	11044702	PAD-EVAPORATOR
0071	A3315701	GROMMET (QTY AR)
0081	M0211216	SCREW-SM (QTY AR)
0091	M0216716	SCREW-SM (QTY AR)
0101	20007502	COND ASSY (M2, M4, M5, M6, M9)
0101	20007503	COND ASSY (M1, M3)
0101	20007702	COND ASSY (M7, M8)
0131	11043902	BLW IN EX PNT
0141	10839722	GASKET-URETHANE
0151	M0216716	SCREW-SM (QTY AR)
0221	11043402	VALVE-DRAIN PAN
0231	11045801	SCROLL-BLOWER (M1, M2, M3, M4, M5, M6)
0231	11045802	SCROLL-BLOWER (M6, M7, M8, M9)
0291	11167301	SHROUD-CONDENSER
0301	11044201	BRACE-TIE
0331	11046501	BAFFLE-TOP
0601	11123904	DISCH-SCREEN-PNT
0611	M0204517	SCREW-SM STL ZINC (QTY AR)
0641	10839705	GASKET-URETHANE (QTY AR)
0651	10839808	GASKET-FOAM (QTY AR)
0661	10839803	GASKET-CROSS LINK (QTY AR)
0671	11046705	DISC-THERMOSTAT
0811	10839712	GASKET-URETHANE (QTY AR)
1061	10839706	GASKET-URETHANE (QTY AR)
1071	M0120801	CLIP-GUIDE
1191	A4554812	SNAP BUSHING
1301	20189701	INSUL-COND RH
1311	20189801	INSUL-COND LH

Expanded Model and Color Nomenclature

M1 - PTH093A35BB	P1225503R
M2 - PTH123A50BB	P1225504R
M3 - PTH094A35BB	P1225507R
M4 - PTH123A35BB	P1225508R
M5 - PTH153A50BB	P1225509R
M6 - PTH124A35BB	P1225510R
M7 - PTH073A25BB	P1225511R
M8 - PTH073A35BB	P1225512R
M9 - PTH153A35BB	P1225513R

Chassis



Chassis

Ref. Part No:	Ref. Part No:	Description:	Description:
<i>Image 1:</i>		Expanded Model and Color Nomenclature	
0081	M0211216	SCREW-SM (QTY AR)	M1 - PTH093A35BB P1225503R
0091	M0216716	SCREW-SM (QTY AR)	M2 - PTH123A50BB P1225504R
0241	11045504	PARTITION PANEL	M3 - PTH094A35BB P1225507R
0251	11167503	PANEL-MID PART	M4 - PTH123A35BB P1225508R
0261	11114907	MOTOR-FAN (M1, M7, M8)	M5 - PTH153A50BB P1225509R
0261	11114908	MOTOR-FAN (M3)	M6 - PTH124A35BB P1225510R
0261	11114909	MOTOR-FAN (M2, M4, M5, M9)	M7 - PTH073A25BB P1225511R
0261	11114910	MOTOR-FAN (M6)	M8 - PTH073A35BB P1225512R
0271	M0224956	SCREW-TAP R (QTY 3)	M9 - PTH153A35BB P1225513R
0281	20046501	FAN-PL. COND.	
0311	11044101	WHEEL-BLOWER	
0321	20245401	BAFFLE-COND INLET	
0341	M0118702	CLIP-GUIDE	
0421	11045601	COVER-TERM BLOCK	
0431	20075601	CLIP-T'STAT	
0441	M0227803	SCREW-TC (QTY AR)	
0451	11044401	COVER-CONTROL PANEL	
0461	M0117902	CLIP-TUBULAR	
0471	20005701	PLATE-ESC	
0481	11042902	KNOB-CONTROL (QTY 2)	
0491	D6789051	CAPACITOR (M2, M4)	
0491	D6879821	CAPACITOR (M1, M7, M8)	
0491	D6789049	CAPACITOR-POLY (M5, M9)	
0491	D6879842	CAPACITOR-ROUND (M6)	
0491	D6879847	CAPACITOR-ROUND (M3)	
0501	C6300502	STRAP-CAPACITOR	
0531	11046201	FILTER-VENT	
0541	11046102	DOOR-VENT	
0551	11044902	SEAL-L SIDE	
0561	11044901	SEAL-R SIDE	
0571	11191702	BRKT-PART PAN (QTY 2)	
0631	10839807	GASKET-CROSS LINK (QTY AR)	
0641	10839705	GASKET-URETHANE (QTY AR)	
0731	11122901	INSUL-LEFT	
0741	11123001	INSUL-RIGHT	
0761	10839810	GASKET-CROSS LINK (QTY AR)	
0851	11135801	BRKT-R FAN	
0861	11145801	BRKT-L FAN	
0871	11149201	FAN-MUFFIN	
0881	M0272802	WASHER-LOCK (QTY AR)	
0891	M0211011	SCREW-SM (QTY 3)	
0901	11166301	BRKT-POWER VENT	
0911	M0370005	RELIEF-STRAIN	
0921	11166101	BRKT-MOTOR	
0931	11172801	MOTOR	
0941	11166201	COVER-BRKT	
0951	A4539606	RIVET-POP (QTY AR)	
0981	11166401	SPRING-EXTENSION	
1051	11167602	COVER-ACCESS	
1081	A4554801	BUSHING-SNAP	
1091	M0216529	SCREW-SM (QTY AR)	
1221	B1160701	BOARD-TERM	
1241	10839814	GASKET-FOAM (QTY AR)	

Compressor/Tubing

Image 1

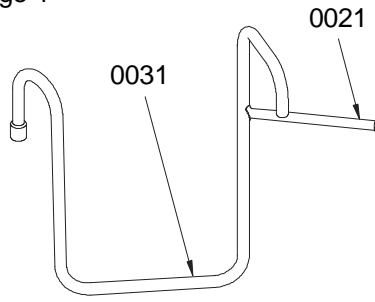


Image 2

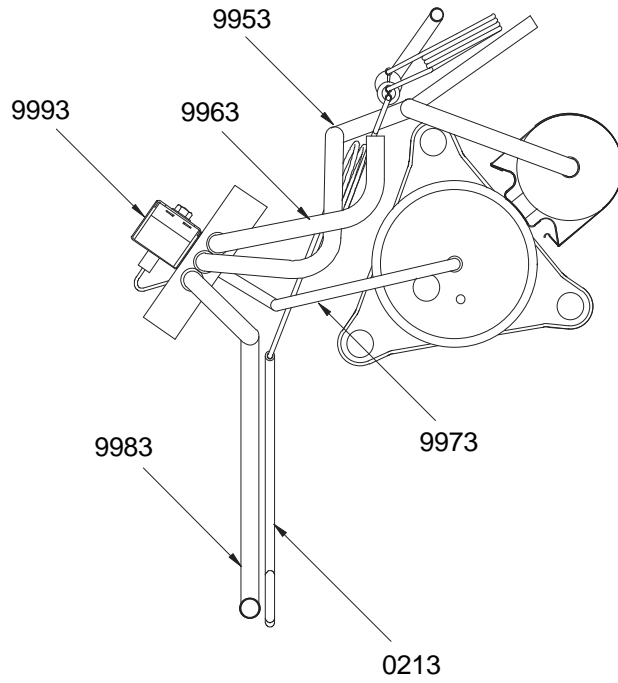
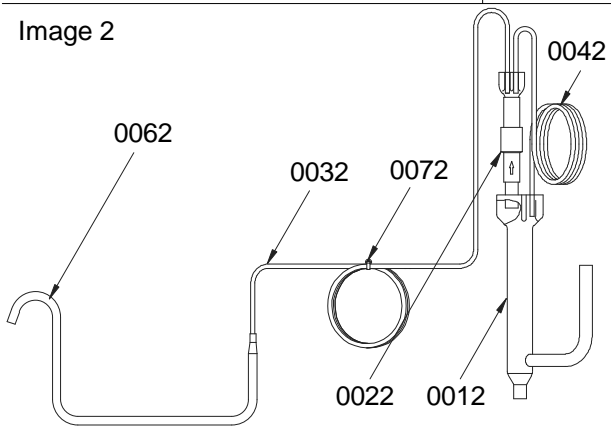
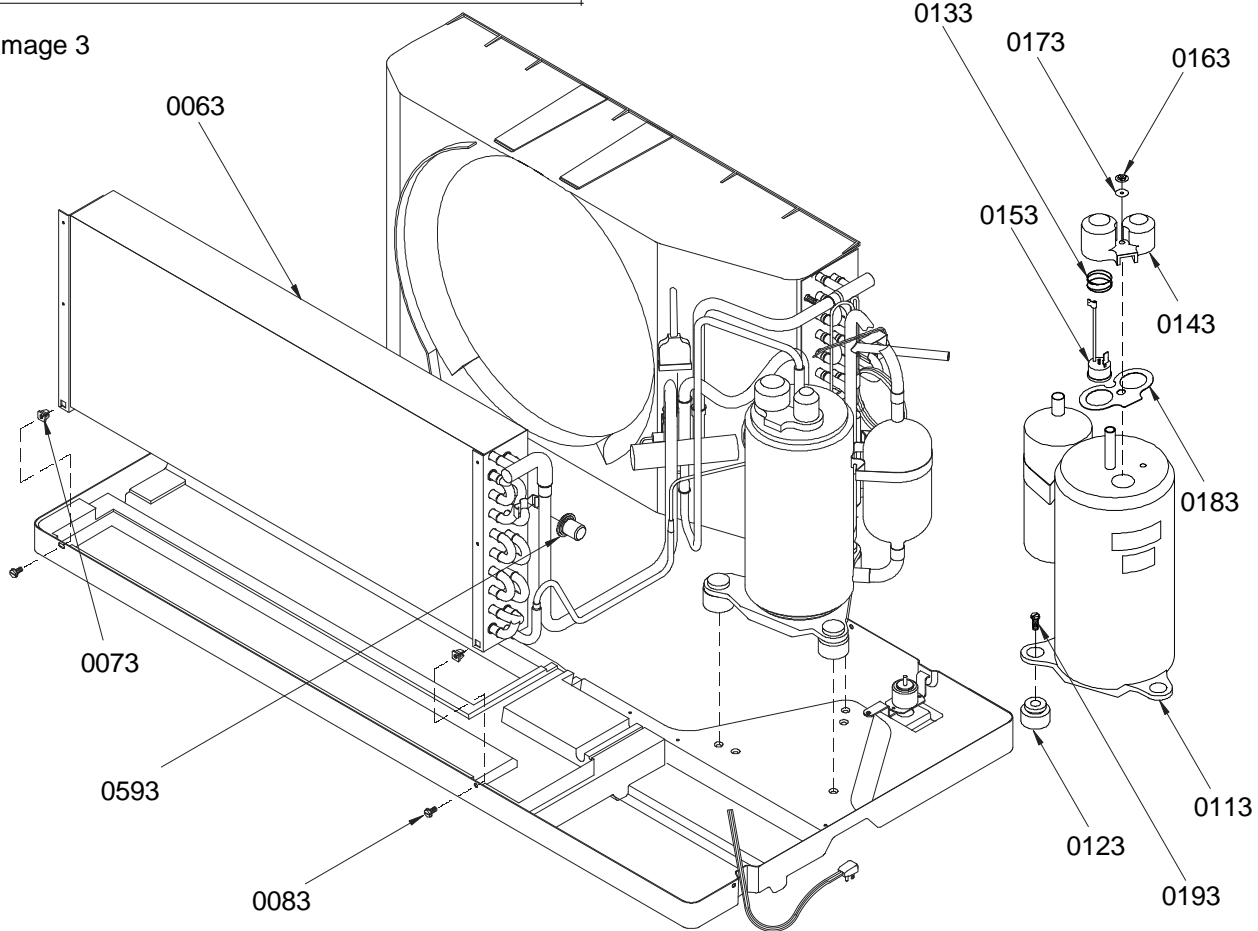


Image 3



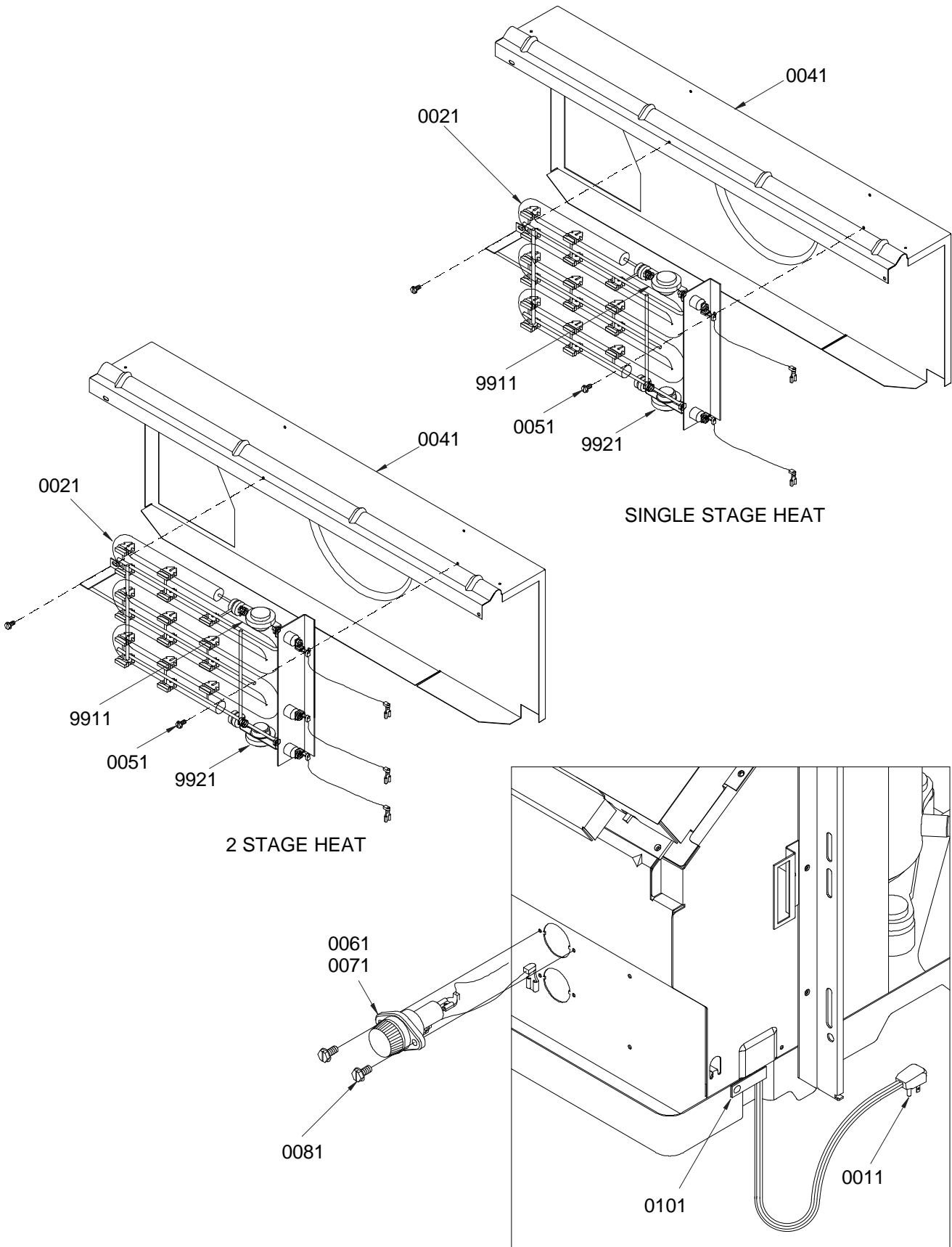
Compressor/Tubing

Ref. Part No:	Ref. Part No:	Description:	Description:
<i>Image 1:</i>			
0021 A4528920	9953 20042101	TUBE-PROCESS (M1, M3, M7, M8)	SUCTION TUBE WELD (M7, M8)
0021 A4528927	9953 20042301	TUBE-PROCESS (M2, M4, M5, M6, M9)	SUCTION TUBE WELD (M1, M3)
0031 20042001	9963 11117101	TUBE-SUCTION (M7, M8)	TUBE-CONDENSER (M2, M4, M5, M6, M9)
0031 20042201	9963 11145001	TUBE-SUCTION (M1, M3)	TUBE-CONDENSER (M7, M8)
0031 20210801	9963 11180001	TUBE-SUCTION (M2, M4, M5, M6, M9)	TUBE-CONDENSER (M1, M3)
<i>Image 2:</i>			
0012 B1257808	9973 11116902	STRAINER	TUBE-DISCH (M2, M4, M6)
0022 C6469901	9973 11177902	VALVE-CHECK	TUBE-DISCH (M5, M9)
0032 20208502	9973 11192202	TUBE-CAPILLARY (M1, M3)	TUBE-DISCH (M1, M3, M7, M8)
0032 20208503	9983 11117001	TUBE-CAPILLARY (M7, M8)	TUBE-EVAPORATOR (M1, M2, M3, M4, M5, M6, M9)
0032 20215002	9983 11117002	TUBE-CAPILLARY (M5, M9)	TUBE-EVAPORATOR (M7, M8)
0032 20215004	9993 20097701	TUBE-CAPILLARY (M2, M4, M6)	REV VALVE ASSY (M1, M2, M4, M5, M7, M8, M9)
0042 11194701	9993 20097702	TUBE-CAPILLARY (M1, M3)	REV VALVE ASSY (M3, M6)
0042 11195001		TUBE-CAPILLARY (M2, M4, M6)	
0042 11195002		TUBE-CAPILLARY (M7, M8)	
0042 11195101		TUBE-CAPILLARY (M5, M9)	
0062 11177502		ELBOW	
0072 M0322801		TIE-ELEC	
<i>Image 3:</i>			
0000 M0211345		SCREW-SM (QTY AR)	
0063 11165603		EVAP ASSY (M2, M4, M5, M6, M9)	
0063 11165703		EVAP ASSY (M1, M3)	
0063 11165803		EVAP ASSY (M7, M8)	
0073 A3315701		GROMMET (QTY AR)	
0083 M0211216		SCREW-SM (QTY AR)	
0113 D6926116		COMP-PN 2K21S3R236A (M5, M9)	
0113 D6985807		COMP-PN 2P17S3R236A (M2, M4)	
0113 D6985810		COMP-PN 2P17S3R276A (M6)	
0113 D6887709		COMP-PN 2R10S3R236A (M7, M8)	
0113 D6887711		COMP-PN 2R13S3R236A (M1)	
0113 D6887712		COMP-PN 2R13S3R276A (M3)	
0123 A3448601		GROMMET (M2, M4, M5, M6, M9) (QTY 3)	
0123 A4622801		GROMMET (M1, M3, M7, M8) (QTY 3)	
0133 A3436901		SPRING-OVERLOAD	
0143 10329001		COVER-TERM	
0153 D6961607		OVERLOAD (M5, M9)	
0153 D6961612		OVERLOAD (M2, M4)	
0153 D6961636		OVERLOAD (M7, M8)	
0153 D6961639		OVERLOAD (M1)	
0153 D6961642		OVERLOAD (M3)	
0153 D6961643		OVERLOAD (M6)	
0163 A3436601		NUT-TERM COVER	
0173 A3436801		GASKET-NUT	
0183 A3436701		GASKET-TERM COVER	
0193 M0253610		SCREW-SHLDR (M2, M4, M5, M6, M9) (QTY 3)	
0193 M0253661		SCREW-SHLDR (M1, M3, M7, M8) (QTY 3)	
0213 11194602		CAPILLARY WELD (M1, M3)	
0213 11194802		CAPILLARY WELD (M5, M9)	
0213 11195202		CAPILLARY WELD (M7, M8)	
0213 11195305		CAPILLARY WELD (M2, M4, M6)	
0593 11046702		DISC-THERMOSTAT	
9953 11192702		SUCTION TUBE WELD (M2, M4, M5, M6, M9)	

Expanded Model and Color Nomenclature

M1 - PTH093A35BB	P1225503R
M2 - PTH123A50BB	P1225504R
M3 - PTH094A35BB	P1225507R
M4 - PTH123A35BB	P1225508R
M5 - PTH153A50BB	P1225509R
M6 - PTH124A35BB	P1225510R
M7 - PTH073A25BB	P1225511R
M8 - PTH073A35BB	P1225512R
M9 - PTH153A35BB	P1225513R

Heater



Heater

Ref. Part No:	Ref. Part No:	Description:	Description:
---------------	---------------	--------------	--------------

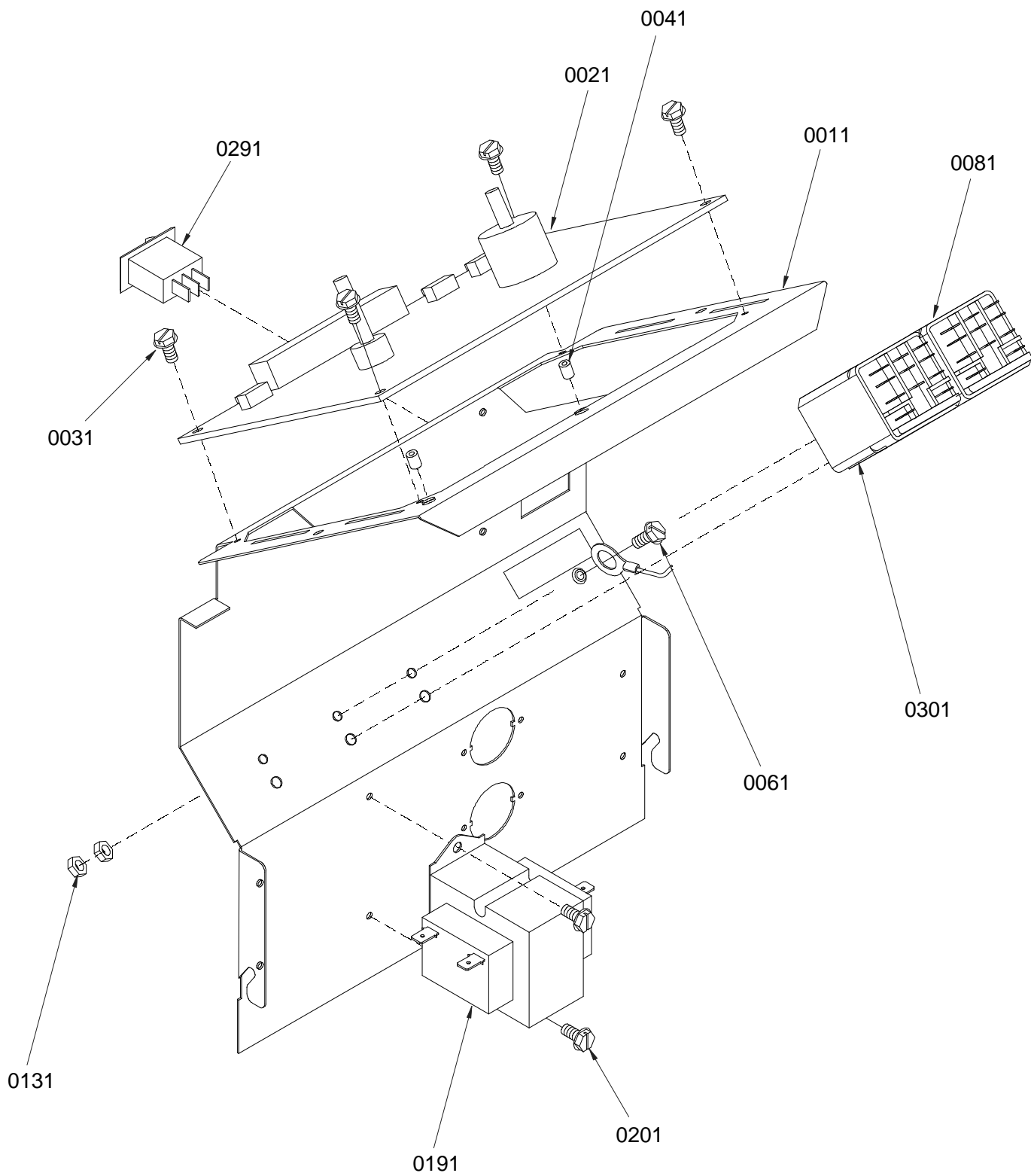
Image 1:

0011 11114401	CORD-250V 15A (M7)
0011 11114501	CORD-250V 20A (M1, M4, M8, M9)
0011 11114601	CORD-250V 30A (M2, M5)
0011 11114701	CORD-277V-20A (M3, M6)
0021 20252002	HTR 3 2.5KW ASSY (M7)
0021 20252003	HTR 3 3.5KW ASSY (M1, M4, M8, M9)
0021 11177801	HTR 3 5.0 KW ASSY (M2)
0021 20252005	HTR 3 5.0 KW ASSY (M5)
0021 20252008	HTR 4 3.7KW ASSY (M3, M6)
0041 11044304	BLWR INTK-PNT
0051 M0216716	SCREW-SM (QTY AR)
0061 C6476002	HOLDER-BAYONET FUSE (M3, M6)
0071 A3410403	FUSE-20A (M3, M6)
0081 M0213817	SCREW-SM (M3, M6) (QTY AR)
0101 M0103905	CLAMP-SPEED (M7)
0101 M0103906	CLAMP-SPEED (M1, M2, M3, M4, M5, M6, M8, M9)
9911 B1340115	TSTAT DISC TYPE (M5)
9911 B1158417	TSTAT-DISC TYPE (M2)
9911 B1340111	TSTAT-DISC TYPE (M1, M3, M4, M6, M7, M8, M9)
9921 B1340113	THERMOSTAT-HEATER (M3, M6)
9921 B1340114	TSTAT DISC TYPE (M7)
9921 B1340115	TSTAT DISC TYPE (M5)
9921 B1158418	TSTAT-DISC TYPE (M2)
9921 B1340112	TSTAT-DISC TYPE (M1, M4, M8, M9)

Expanded Model and Color Nomenclature

M1 - PTH093A35BB	P1225503R
M2 - PTH123A50BB	P1225504R
M3 - PTH094A35BB	P1225507R
M4 - PTH123A35BB	P1225508R
M5 - PTH153A50BB	P1225509R
M6 - PTH124A35BB	P1225510R
M7 - PTH073A25BB	P1225511R
M8 - PTH073A35BB	P1225512R
M9 - PTH153A35BB	P1225513R

Control Panel



Control Panel

Ref. Part No:	Description:	Ref. Part No:	Description:
---------------	--------------	---------------	--------------

Image 1:

0000	M0804204	FUSE-GLASS
0011	11044501	PANEL-CONTROL
0021	11043301	PC BOARD
0031	M0216529	SCREW-SM (QTY AR)
0041	M0590702	SUPPORT (QTY 2)
0061	M0227803	SCREW-TC
0081	C8873917	RELAY (M2)
0131	M0282005	NUT-KEPS (QTY AR)
0191	11172101	XFMR (M3, M6)
0191	B1378501	XFMR (M1, M2, M4, M5, M7, M8, M9)
0201	M0216716	SCREW-SM (QTY AR)
0291	B1337701	SWITCH-PADDLE
0301	C8873932	RELAY

Expanded Model and Color Nomenclature

M1 - PTH093A35BB	P1225503R
M2 - PTH123A50BB	P1225504R
M3 - PTH094A35BB	P1225507R
M4 - PTH123A35BB	P1225508R
M5 - PTH153A50BB	P1225509R
M6 - PTH124A35BB	P1225510R
M7 - PTH073A25BB	P1225511R
M8 - PTH073A35BB	P1225512R
M9 - PTH153A35BB	P1225513R