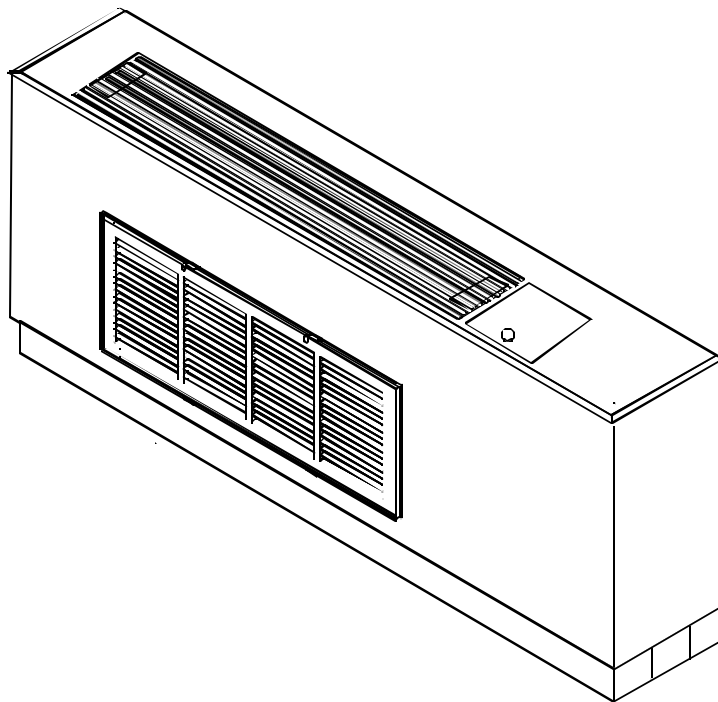


Models and manufacturing
numbers in this manual

PTC094A00FC	P1225433R
PTC094A00GC	P1225434R
PTC094A00HC	P1225432R
PTC124A00FC	P1225436R
PTC124A00GC	P1225437R
PTC124A00HC	P1225435R
PTC154A00FC	P1225439R
PTC154A00GC	P1225440R
PTC154A00HC	P1225438R

Parts

Hydronic Package Terminal Air Conditioners



This manual is to be used by qualified appliance technicians only. Amana does not assume any responsibility for property damage or personal injury for improper service procedures performed by an unqualified person.


Heating & Air Conditioning
Amana
Comfort. Quality. Trust.

RP4210022
Revision 0
June 2001

Important Information

Amana is not responsible for personal injury or property damage resulting from improper service. Review all service information before beginning repairs.

Warranty service must be performed by an authorized technician, using authorized factory parts. If service is required after the warranty expires, Amana also recommends contacting an authorized technician and using authorized factory parts.

For assistance within the U.S.A. contact:

Consumer Affairs Department
Amana Heating and Air Conditioning
1810 Wilson Parkway
Fayetteville, TN 37334
877-254-4729-Telephone
931-438-2922-Facsimile

For assistance outside the U.S.A. contact:

International Division
Amana Heating and Air Conditioning
1810 Wilson Parkway
Fayetteville, TN 37334
931-438-3632-Telephone
931-438-2922-Facsimile

Index

Functional Parts List 5
Illustration and Parts 6 - 19

Views shown are for parts illustrations only, not servicing procedures.

Text Codes:

- AR - As Required
- NA - Not Available
- NS - Not Shown
- 00000000 - See Note
- QTY - Quantity Example (QTY 3) (If Quantity not shown, Quantity = 1)
- M - Model Example (M1) (If M Code not shown, then part is used on all Models)

Expanded Model and Color Nomenclature:

Example	
M1 - Model#1	P _____
M2 - Model#2	P _____
M3 - Model#3	P _____

Functional Parts

Part

No: Description:

D6789025	CAPACITOR-METAL (M7, M8, M9)
D6789063	CAPACITOR-ROUND (M1, M2, M3)
D6789060	CAPACITOR-ROUND (M4, M5, M6)
D6926117	COMP-PN 2K21S3R276A (M7, M8, M9)
D6985810	COMP-PN 2P17S3R276A (M4, M5, M6)
D6887712	COMP-PN 2R13S3R276A (M1, M2, M3)
11114701	CORD-277V-20A
11165603	EVAP ASSY PTC
20284908	FILTER DRIER (M7, M8, M9)
20284910	FILTER DRIER (M4, M5, M6)
20284807	FILTER DRIER (M1, M2, M3)
A3410402	FUSE-15A
11172801	MOTOR (M2, M3, M5, M6, M8, M9)
11114908	MOTOR-FAN (M1, M2, M3)
11114910	MOTOR-FAN (M4, M5, M6, M7, M8, M9)
D6961657	OVERLOAD (M7, M8, M9)
D6961643	OVERLOAD (M4, M5, M6)
D6961642	OVERLOAD (M1, M2, M3)
20295502	PC BOARD
C8873917	RELAY
C8873932	RELAY (M2, M3, M5, M6, M8, M9)
20295701	THERMISTOR
20295702	THERMISTOR
11172101	TRANSFORMER (QTY AR)
11044101	WHEEL-BLOWER

SPECIAL PARTS

11113306	MANUAL-OWNERS
RP4210022	PARTS MANUAL
RS4200003	SERVICE MANUAL
11046401	WARRANTY

Expanded Model and Color Nomenclature

M1 - PTC094A00HC	P1225432R
M2 - PTC094A00FC	P1225433R
M3 - PTC094A00GC	P1225434R
M4 - PTC124A00HC	P1225435R
M5 - PTC124A00FC	P1225436R
M6 - PTC124A00GC	P1225437R
M7 - PTC154A00HC	P1225438R
M8 - PTC154A00FC	P1225439R
M9 - PTC154A00GC	P1225440R

Shroud/Inside Front

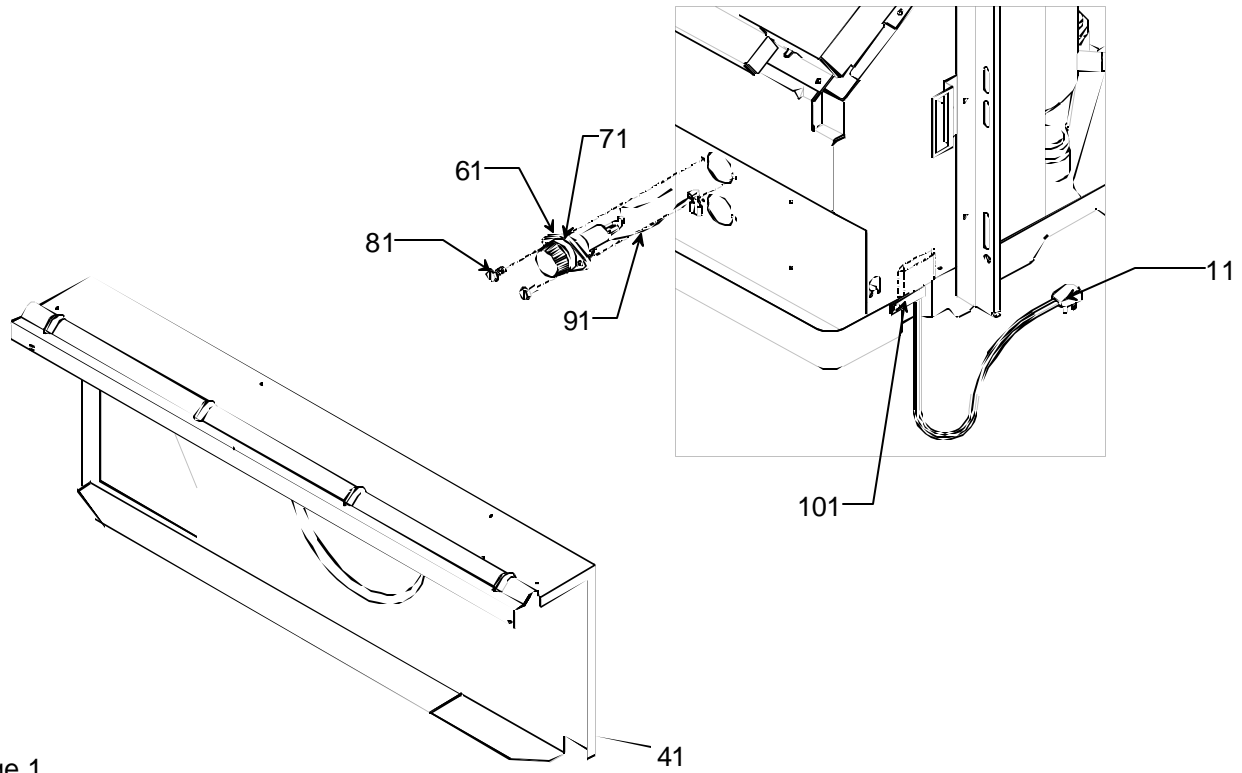
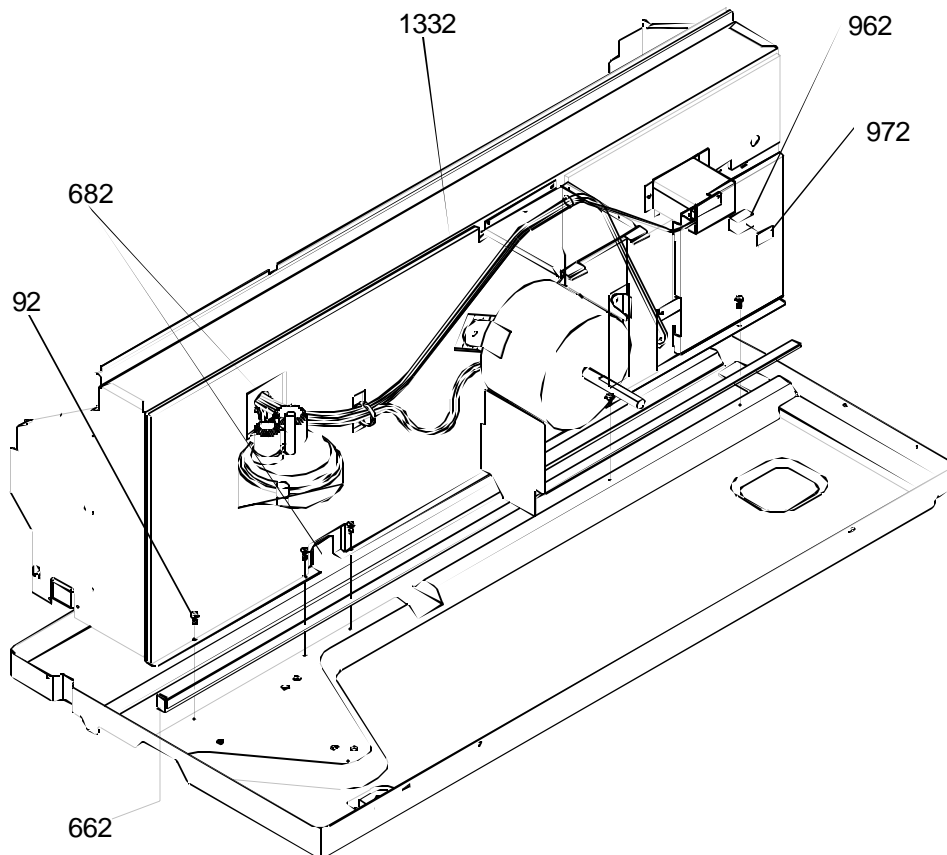


Image 1

Image 2



Shroud/Inside Front

Ref. Part No:	Part No:	Description:	Ref. Part No:	Part No:	Description:
---------------	----------	--------------	---------------	----------	--------------

Image 1:

11	11114701	CORD-277V-20A
41	11044304	BLOWER-INT PNT PTC
61	C6476001	HOLDER-BAYONET FUSE
61	C6476002	HOLDER-BAYONET FUSE
71	A3410402	FUSE-15A
81	M0213817	SCREW-SM (QTY AR)
91	10618850	WIRE-JUMPER BK18
101	M0103906	CLAMP-SPEED

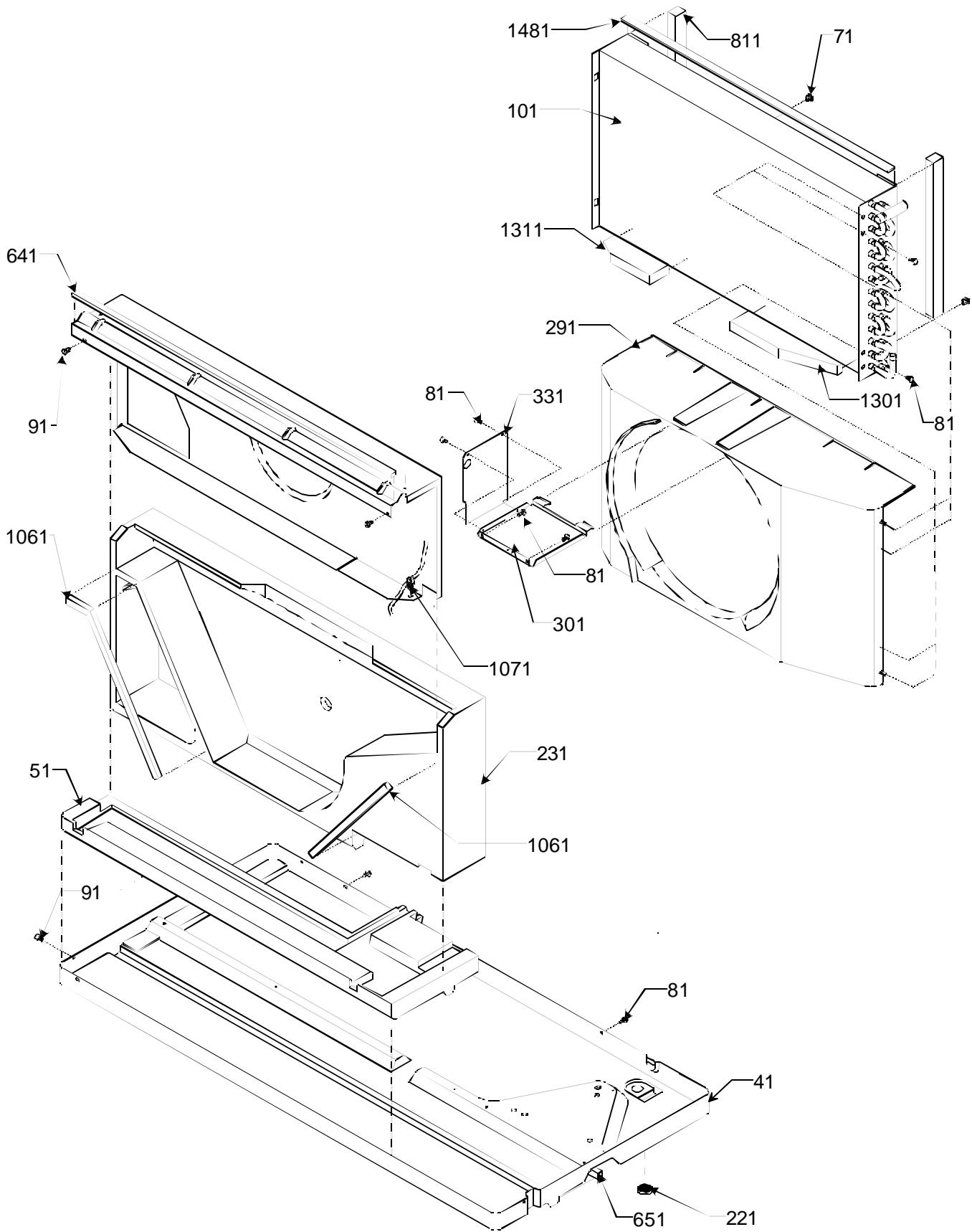
Image 2:

92	M0216716	SCREW-SM (QTY AR)
662	10839823	GASKET-.12X.50X41 (QTY AR)
682	M0275521	SEALER-PLASTIC (QTY AR)
962	11178201	INSUL (M2, M3, M5, M6, M8, M9)
972	11178301	BUMPER PTC (M2, M3, M5, M6, M8, M9)
1332	20208601	INSUL-PARTITION PNL

Expanded Model and Color Nomenclature

M1 - PTC094A00HC	P1225432R
M2 - PTC094A00FC	P1225433R
M3 - PTC094A00GC	P1225434R
M4 - PTC124A00HC	P1225435R
M5 - PTC124A00FC	P1225436R
M6 - PTC124A00GC	P1225437R
M7 - PTC154A00HC	P1225438R
M8 - PTC154A00FC	P1225439R
M9 - PTC154A00GC	P1225440R

Chassis



Chassis

Ref. Part No:	Ref. Part No:	Description:	Description:
---------------	---------------	--------------	--------------

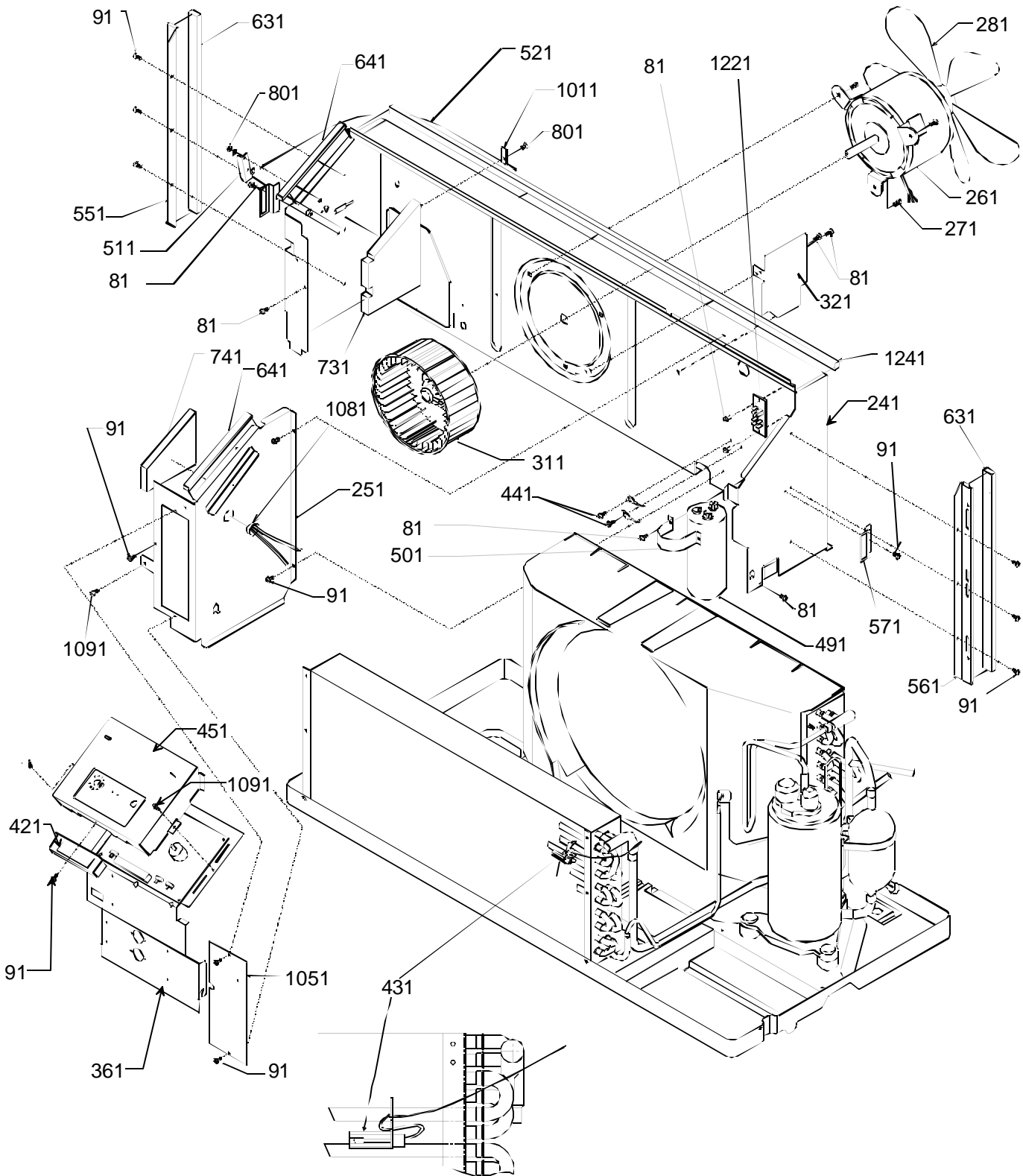
Image 1:

41	11042510	BASEPAN-PNT PTC
51	11044702	PAD-EVAP PTC
71	A3315701	GROMMET (QTY 4)
81	M0211216	SCREW-SM (QTY AR)
91	M0216716	SCREW-SM (QTY AR)
101	20007503	COND ASSY PTC
221	A3080003	PLUG-BUTTON
231	11045802	SCROLL-BLOWER
291	11167301	SHROUD-COND PTC
301	11044201	BRACE-TIE PTC
331	11046501	BAFFLE-TOP PTC
641	10839705	GASKET .50X.25 (QTY AR)
651	10839808	GASKET-.37X.50 (QTY AR)
811	10839712	GASKET .62X.75 (QTY AR)
1061	10839706	GASKET .50X.50 (QTY AR)
1071	M0120801	CLIP-GUIDE
1301	20189701	INSUL-COND RH
1311	20189801	INSUL-COND LH
1481	10839822	GASKET-24.25X.50 (QTY AR)

Expanded Model and Color Nomenclature

M1 - PTC094A00HC	P1225432R
M2 - PTC094A00FC	P1225433R
M3 - PTC094A00GC	P1225434R
M4 - PTC124A00HC	P1225435R
M5 - PTC124A00FC	P1225436R
M6 - PTC124A00GC	P1225437R
M7 - PTC154A00HC	P1225438R
M8 - PTC154A00FC	P1225439R
M9 - PTC154A00GC	P1225440R

Chassis



Chassis

Ref. Part No:	Part No:	Description:	Ref. Part No:	Part No:	Description:
---------------	----------	--------------	---------------	----------	--------------

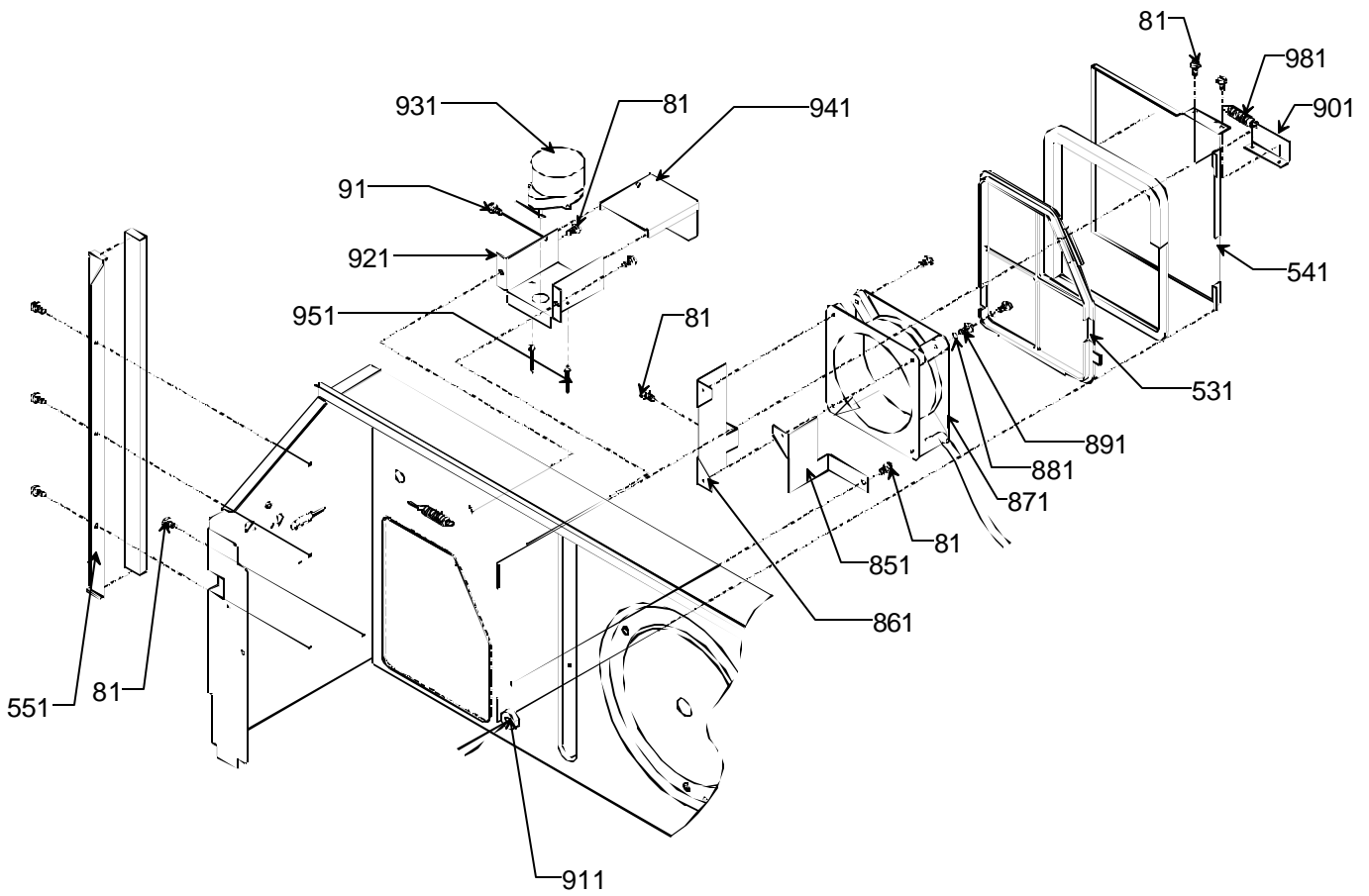
Image 1:

81	M0211216	SCREW-SM (QTY AR)
91	M0216716	SCREW-SM (QTY AR)
241	11045508	PANEL-PTN PTC
251	11167504	PANEL-MID PTN PTC
261	11114908	MOTOR-FAN (M1, M2, M3)
261	11114910	MOTOR-FAN (M4, M5, M6, M7, M8, M9)
271	M0224956	SCREW-TAP R (QTY AR)
281	20046501	FAN-PL. COND.
311	11044101	WHEEL-BLOWER
321	20245401	BAFFLE-COND INLT PTC
361	20010906	CONT PANEL ASSY (M1, M4, M7)
361	20018604	CONT PANEL ASSY (M2, M3, M5, M6, M8, M9)
421	11045601	COVER-TERM BLK PTC
431	20075601	CLIP-T'STAT PTC (QTY 2)
441	M0227803	SCREW-TC (QTY AR)
451	11044403	COVER-CONT PNL PTC
491	D6789025	CAPACITOR-METAL (M7, M8, M9)
491	D6789060	CAPACITOR-ROUND (M4, M5, M6)
491	D6789063	CAPACITOR-ROUND (M1, M2, M3)
501	C6300502	STRAP-CAP CO PTC (M1, M2, M3, M4, M5, M6)
501	C6300503	STRAP-CAP CO PTC (M7, M8, M9)
511	11046302	LEVER ARM PTC (M1, M4, M7)
521	11115401	CABLE (M1, M4, M7)
551	11044902	SEAL-L SIDE PTC
561	11044901	SEAL-R SIDE PTC
571	11191702	BRACKET-PTN PNL PTC (QTY 2)
631	10839807	GASKET-.37X.75 (QTY AR)
641	10839705	GASKET .50X.25 (QTY AR)
731	11122901	INSUL-LEFT
741	11123001	INSUL-RIGHT
801	M0270529	WASHER-FLAT (M1, M4, M7)
1011	M0108103	CLAMP-TUBE (M1, M4, M7)
1051	11167602	COVER-ACCESS PTC
1081	A4554801	BUSHING-SNAP
1091	M0216529	SCREW-SM (QTY AR)
1221	B1160701	BOARD-TERM (M2, M3, M5, M6, M8, M9)
1241	10839814	GASKET-.50X.50 (QTY AR)

Expanded Model and Color Nomenclature

M1 - PTC094A00HC	P1225432R
M2 - PTC094A00FC	P1225433R
M3 - PTC094A00GC	P1225434R
M4 - PTC124A00HC	P1225435R
M5 - PTC124A00FC	P1225436R
M6 - PTC124A00GC	P1225437R
M7 - PTC154A00HC	P1225438R
M8 - PTC154A00FC	P1225439R
M9 - PTC154A00GC	P1225440R

Power Vent/Door



Power Vent/Door

Ref. Part No:	Part No:	Description:	Ref. Part No:	Part No:	Description:
---------------	----------	--------------	---------------	----------	--------------

Image 1:

81	M0211216	SCREW-SM (QTY AR)
91	M0216716	SCREW-SM (QTY AR)
531	11046201	FILTER-VENT
541	11046105	DOOR-VENT PTC
551	11044902	SEAL-L SIDE PTC
851	11135801	BRKT-R FAN PTC (M2, M5, M8)
861	11145801	BRKT-L FAN PTC (M2, M5, M8)
871	11149201	FAN-MUFFIN (M2, M5, M8)
881	M0272802	WASHER-LOCK (M2, M5, M8) (QTY 2)
891	M0211011	SCREW-SM (M2, M5, M8) (QTY AR)
901	11166301	BRACKET-PWR VENT PTC (M2, M3, M5, M6, M8, M9)
911	M0370005	RELIEF-STRAIN (M2, M5, M8)
921	11166101	BRACKET-MOTOR PTC (M2, M3, M5, M6, M8, M9)
931	11172801	MOTOR (M2, M3, M5, M6, M8, M9)
941	11166201	COVER-BRKT PTC (M2, M3, M5, M6, M8, M9)
951	A4539606	RIVET-POP (M2, M3, M5, M6, M8, M9) (QTY 2)
981	11166401	SPRING-EXTENSION (M2, M3, M5, M6, M8, M9)

Expanded Model and Color Nomenclature

M1 - PTC094A00HC	P1225432R
M2 - PTC094A00FC	P1225433R
M3 - PTC094A00GC	P1225434R
M4 - PTC124A00HC	P1225435R
M5 - PTC124A00FC	P1225436R
M6 - PTC124A00GC	P1225437R
M7 - PTC154A00HC	P1225438R
M8 - PTC154A00FC	P1225439R
M9 - PTC154A00GC	P1225440R

Tubing/Compressor

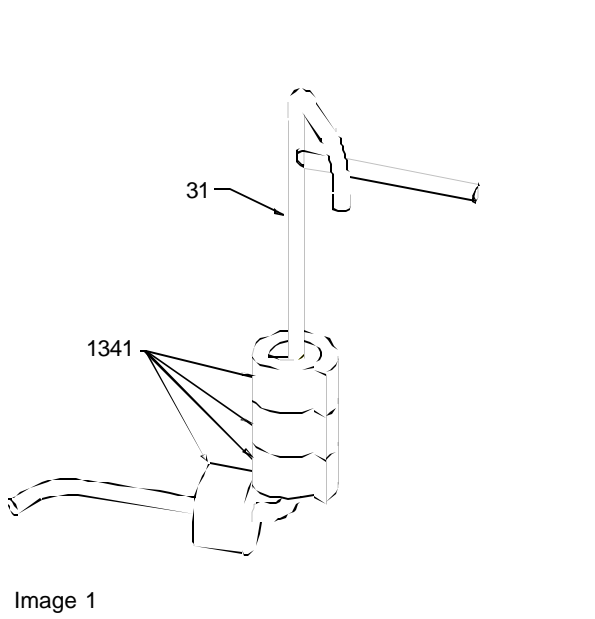
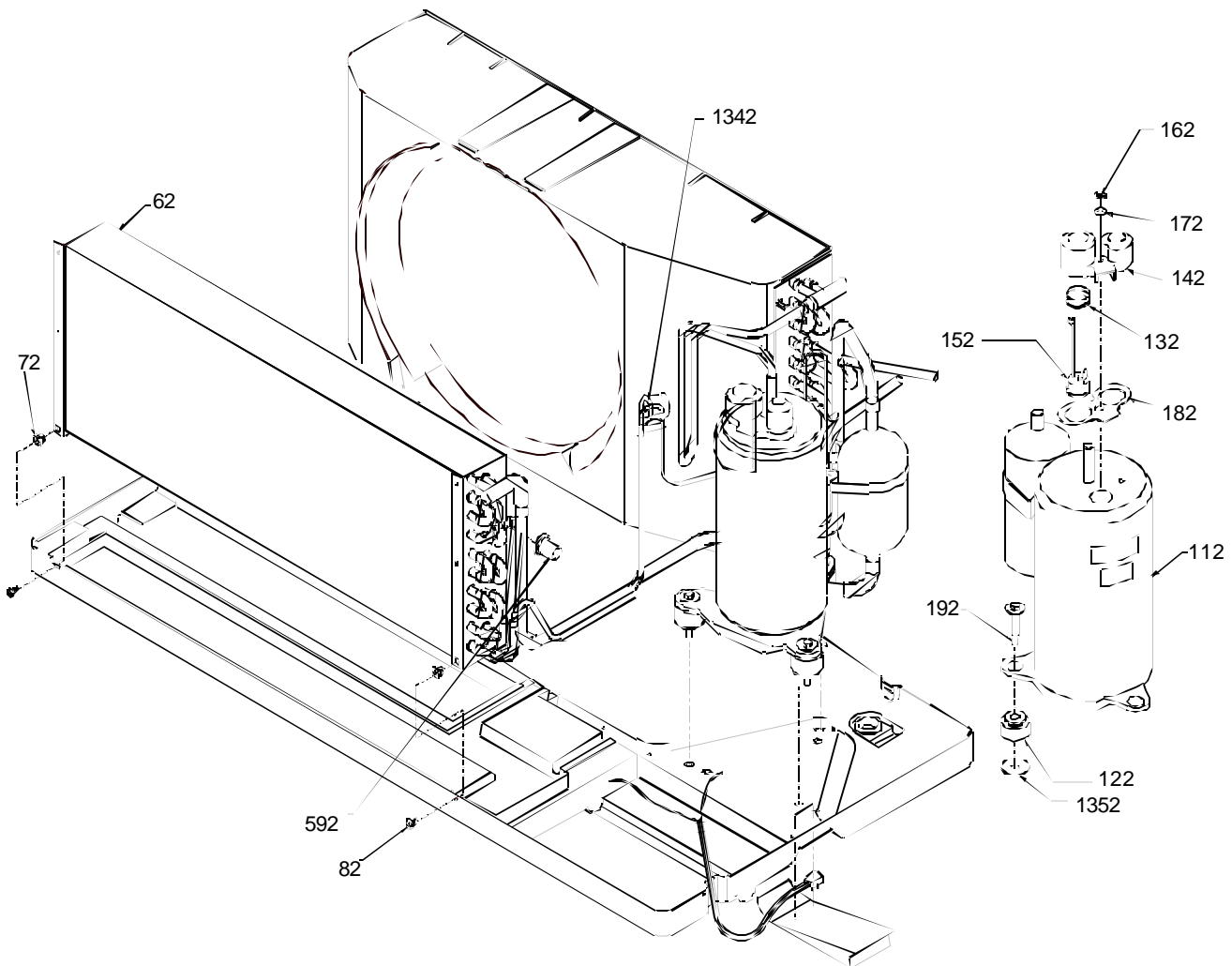


Image 1

Image 2



Tubing/Compressor

Ref. Part No:	Part No:	Description:	Ref. Part No:	Part No:	Description:
---------------	----------	--------------	---------------	----------	--------------

Image 1:

31	11194301	TUBE-SUCT PTC (M1, M2, M3)
31	11144601	TUBE-SUCTION (M4, M5, M6, M7, M8, M9)
1341	11154803	SEALER-RUBBER BASED (M1, M2, M3) (QTY AR)
1341	11154803	SEALER-RUBBER BASED (M4, M5, M6, M7, M8, M9)

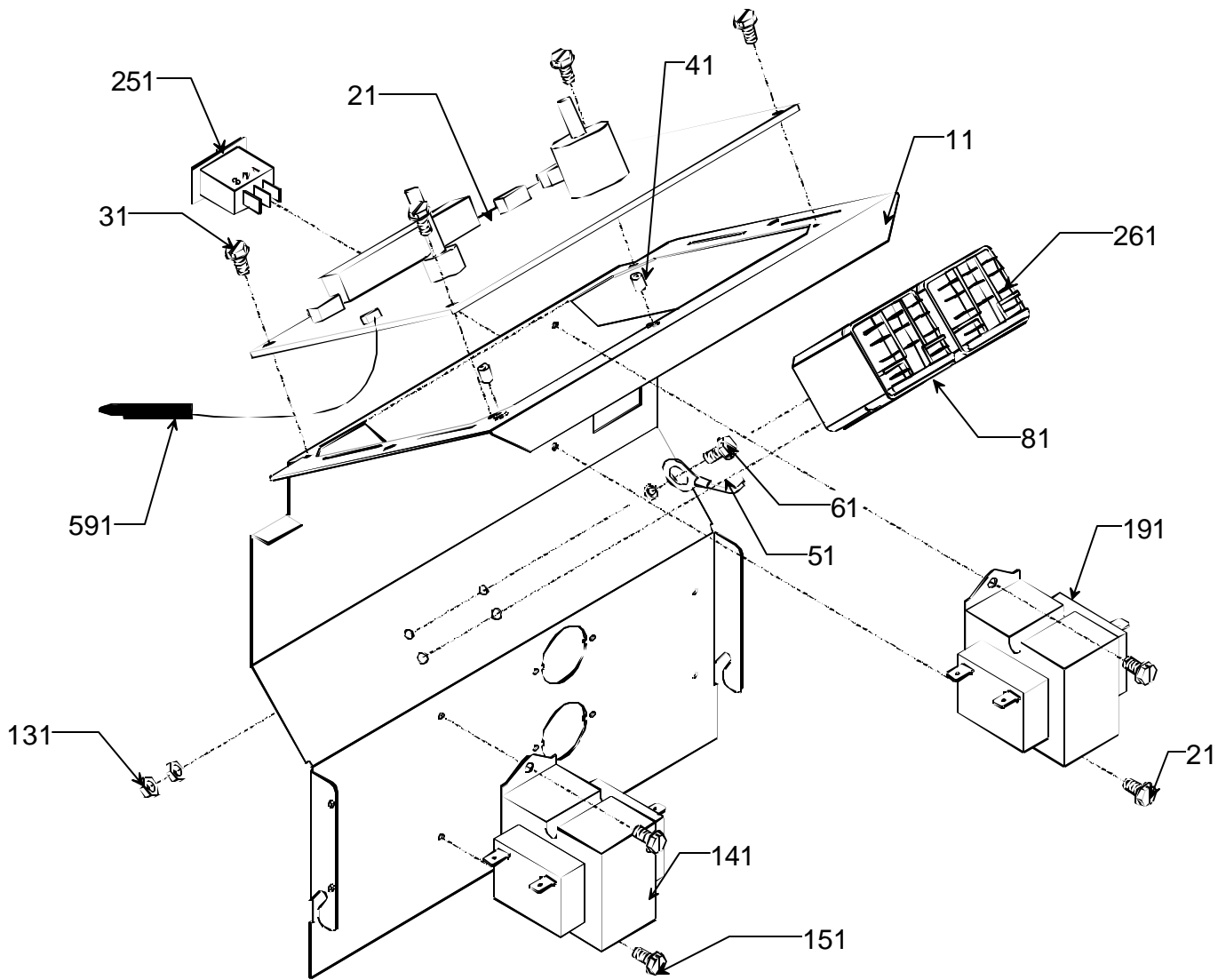
Image 2:

62	11165603	EVAP ASSY PTC
72	A3315701	GROMMET (QTY AR)
82	M0211216	SCREW-SM (QTY AR)
112	D6926117	COMP-PN 2K21S3R276A (M7, M8, M9)
112	D6985810	COMP-PN 2P17S3R276A (M4, M5, M6)
112	D6887712	COMP-PN 2R13S3R276A (M1, M2, M3)
122	A3448601	GROMMET (M4, M5, M6, M7, M8, M9) (QTY 3)
122	A4622801	GROMMET (M1, M2, M3) (QTY 3)
132	A3436901	SPRING-OVERLOAD
142	20120102	COVER-TERM
152	D6961642	OVERLOAD (M1, M2, M3)
152	D6961643	OVERLOAD (M4, M5, M6)
152	D6961657	OVERLOAD (M7, M8, M9)
162	A3436601	NUT-TERM COVER
172	A3436801	GASKET-NUT
182	A3436701	GASKET-TERM COVER
192	M0253610	SCREW-SHLDR (QTY AR)
592	20295702	THERMISTOR
1342	11154803	SEALER-RUBBER BASED (M4, M5, M6, M7, M8, M9)
1352	20103202	WASHER-FLAT (M7, M8, M9)

Expanded Model and Color Nomenclature

M1 - PTC094A00HC	P1225432R
M2 - PTC094A00FC	P1225433R
M3 - PTC094A00GC	P1225434R
M4 - PTC124A00HC	P1225435R
M5 - PTC124A00FC	P1225436R
M6 - PTC124A00GC	P1225437R
M7 - PTC154A00HC	P1225438R
M8 - PTC154A00FC	P1225439R
M9 - PTC154A00GC	P1225440R

Control Panel



Control Panel

Ref. Part No:	Part No:	Description:	Ref. Part No:	Part No:	Description:
---------------	----------	--------------	---------------	----------	--------------

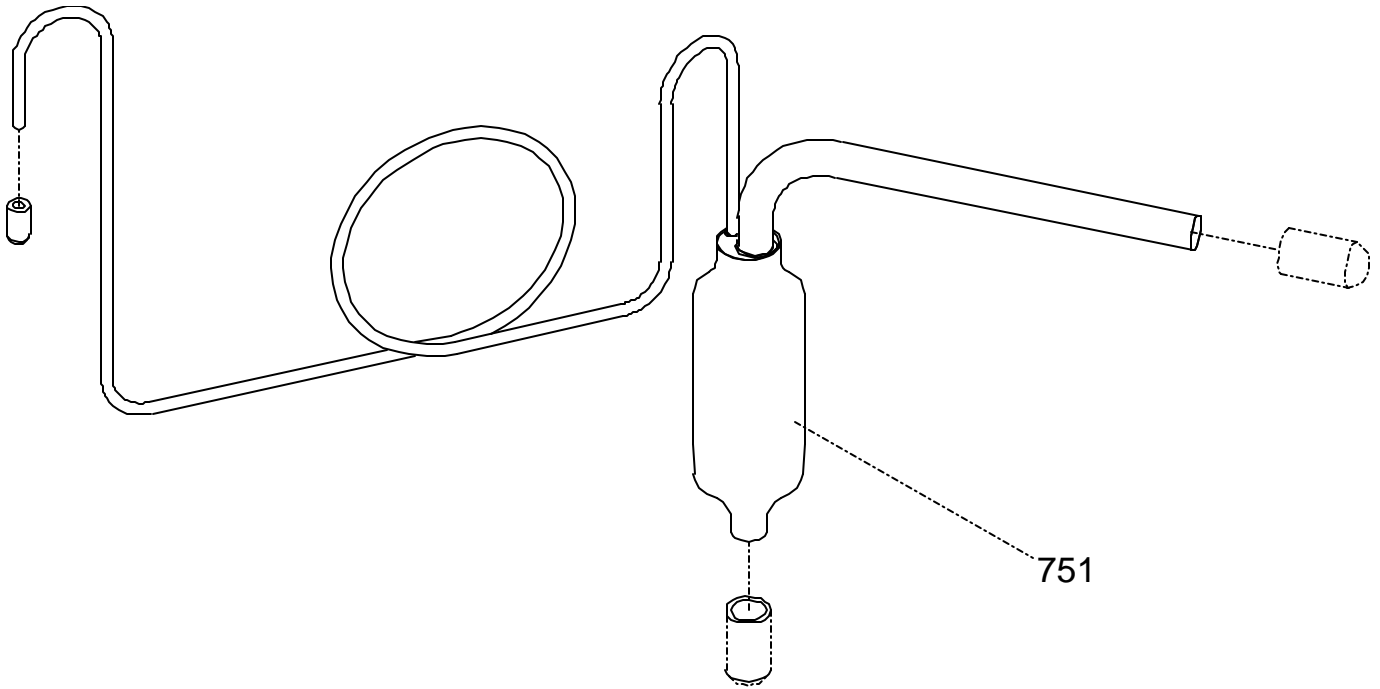
Image 1:

11	11044504	PANEL-CONTROL PTC
21	20295502	PC BOARD
31	M0216529	SCREW-SM (QTY AR)
41	M0590702	SUPPORT (QTY 2)
51	10618849	WIRE-JUMPER GN1
61	M0227803	SCREW-TC (QTY AR)
81	C8873917	RELAY
131	M0282005	NUT-KEPS (M2, M3, M5, M6, M8, M9) (QTY 2)
141	11172101	TRANSFORMER (QTY AR)
151	M0216716	SCREW-SM (QTY AR)
191	10382323	WIRE ASSEMBLY (M2, M3, M5, M6, M8, M9)
251	B1337701	SWITCH-PADDLE (M2, M3, M5, M6, M8, M9)
261	C8873932	RELAY (M2, M3, M5, M6, M8, M9)
591	20295701	THERMISTOR

Expanded Model and Color Nomenclature

M1 - PTC094A00HC	P1225432R
M2 - PTC094A00FC	P1225433R
M3 - PTC094A00GC	P1225434R
M4 - PTC124A00HC	P1225435R
M5 - PTC124A00FC	P1225436R
M6 - PTC124A00GC	P1225437R
M7 - PTC154A00HC	P1225438R
M8 - PTC154A00FC	P1225439R
M9 - PTC154A00GC	P1225440R

Filter Drier



Filter Drier

Ref. Part

No: No:

Description:

Ref. Part

No: No:

Description:

Image 1:

751	20284807	FILTER DRIER (M1, M2, M3)
751	20284908	FILTER DRIER (M7, M8, M9)
751	20284910	FILTER DRIER (M4, M5, M6)

Expanded Model and Color Nomenclature

M1 - PTC094A00HC	P1225432R
M2 - PTC094A00FC	P1225433R
M3 - PTC094A00GC	P1225434R
M4 - PTC124A00HC	P1225435R
M5 - PTC124A00FC	P1225436R
M6 - PTC124A00GC	P1225437R
M7 - PTC154A00HC	P1225438R
M8 - PTC154A00FC	P1225439R
M9 - PTC154A00GC	P1225440R