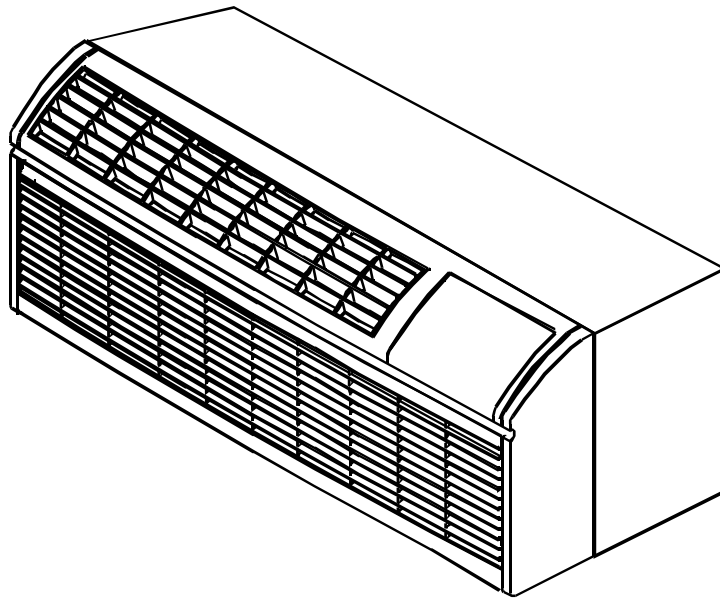


## Package Terminal Heat Pump

PTH073A15DC	P1225313R
PTH093A15DC	P1225314R
PTH093A35DC	P1225309R
PTH093A35KC	P1225604R
PTH093A35LC	P1225804R
PTH123A15DC	P1225315R
PTH123A25DC	P1225316R
PTH123A35DC	P1225310R
PTH123A50KC	P1225605R
PTH123A50LC	P1225805R
PTH153A50DB	P1225319R



# Important Information

---

## Index

Functional Parts List .....	3
Illustration and Parts .....	4 - 19

*Views shown are for parts illustrations only, not servicing procedures*

### Text Codes:

AR - As Required

NA - Not Available

NS - Not Shown

00000000 - See Note

QTY - Quantity Example (QTY 3) (If Quantity not shown, Quantity = 1)

M - Model Example (M1) (If M Code not shown, then part is used on all Models)

### Expanded Model Nomenclature:

Example
---------

M1 - Model#1
--------------

M2 - Model#2
--------------

M3 - Model#3
--------------

Goodman Company, L.P. is not responsible for personal injury or property damage resulting from improper service. Review all service information before beginning repairs.

Warranty service must be performed by an authorized technician, using authorized factory parts. If service is required after the warranty expires, Goodman Company, L.P. also recommends contacting an authorized technician and using authorized factory parts.

Goodman Company, L.P. reserves the right to discontinue, or change at any time, specifications or designs without notice or without incurring obligations. Goodman® brand products are made proudly in the USA.

For assistance within the U.S.A. contact:

Consumer Affairs Department

Goodman Company, L.P.

7401 Security Way

Houston, Texas 77040

877-254-4729-Telephone

713-863-2382-Facsimile

For assistance outside the U.S.A. contact:

International Division

Goodman Company, L.P.

7401 Security Way

Houston, Texas 77040

713-861-2500-Telephone

713-863-2382-Facsimile

# Functional Parts

**Part No:**      **Description:**

Expanded Model Nomenclature

B1160701	BOARD-TERM (M8, M9, M10, M11)
D6926116	COMP 2K21S3R236A-7A (M7)
D6985807	COMP-PN 2P17S3R236A (M2, M5, M6, M9, M11)
D6887709	COMP-PN 2R10S3R236A (M3)
D6887711	COMP-PN 2R13S3R236A (M1, M4, M8, M10)
20007504	COND ASSY (M2, M5, M6, M7, M9, M11)
20007702	COND ASSY (M3)
20007503	COND ASSY (M1, M4, M8, M10)
11114401	CORD-250V 15A (M3, M4, M5, M6)
11114501	CORD-250V 20A (M1, M2, M8, M10)
11114601	CORD-250V 30A (M7, M9, M11)
11165803	EVAP ASSY (M3)
11165703	EVAP ASSY (M1, M4, M8, M10)
11165603	EVAP ASSY (M2, M5, M6, M7, M9, M11)
20284910	FILTER DRYER (M2, M5, M6, M9, M11)
20284912	FILTER DRYER (M7)
20284909	FILTER DRYER (M1, M4, M8, M10)
20284907	FILTER DRYER (M3)
RF000034	FILTER DRYER ASSEMBLY (M7)
11116201	HTR 3 1.5KW ASSY (M3, M4, M5)
20252002	HTR 3 2.5KW ASSY (M6)
20252003	HTR 3 3.5KW ASSY (M1, M2, M8, M10)
20252005	HTR 3 5.0KW ASSY (M7, M9, M11)
20295701	INDOOR THERMISTOR (M7)
11172801	MOTOR (M8, M9, M10, M11)
11114909	MOTOR-FAN (M2, M5, M6, M7, M9, M11)
11114907	MOTOR-FAN (M1, M3, M4, M8, M10)
20295704	OUTDOOR THERMISTOR (M1, M2, M3, M4, M5, M6, M8, M9, M10, M11)
20295502	PC BOARD (M1, M2, M3, M4, M5, M6, M8, M9, M10, M11)
11043305	PC BOARD (M7)
11125301	PUMP-CONDENSATE
C8873917	RELAY (M1, M2, M3, M4, M5, M6, M7, M8, M10, M11)
C8873932	RELAY (M8, M10, M11)
20295702	THERMISTOR
B1378501	TRANSFORMER
11044101	WHEEL-BLOWER

M1 - PTH093A35DC	P1225309R
M2 - PTH123A35DC	P1225310R
M3 - PTH073A15DC	P1225313R
M4 - PTH093A15DC	P1225314R
M5 - PTH123A15DC	P1225315R
M6 - PTH123A25DC	P1225316R
M7 - PTH153A50DB	P1225319R
M8 - PTH093A35KC	P1225604R
M9 - PTH123A50KC	P1225605R
M10 - PTH093A35LC	P1225804R
M11 - PTH123A50LC	P1225805R

**SPECIAL PARTS**

11113301	MANUAL-OWNERS (M7)
11113306	MANUAL-OWNERS (M1, M2, M3, M4, M5, M6, M8, M9, M10, M11)
RP4220023	PARTS MANUAL
RS4210003	SERVICE MANUAL
11046401	WARRANTY

# Front/Chassis

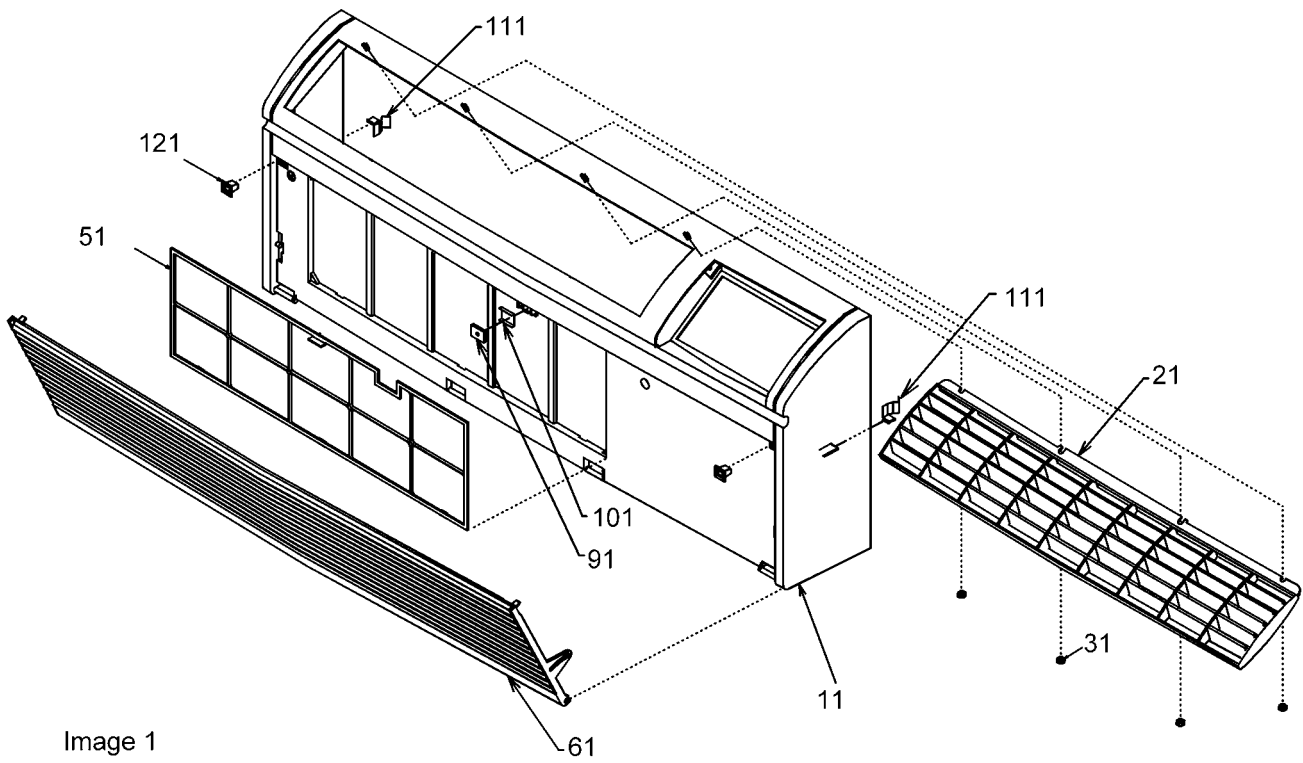
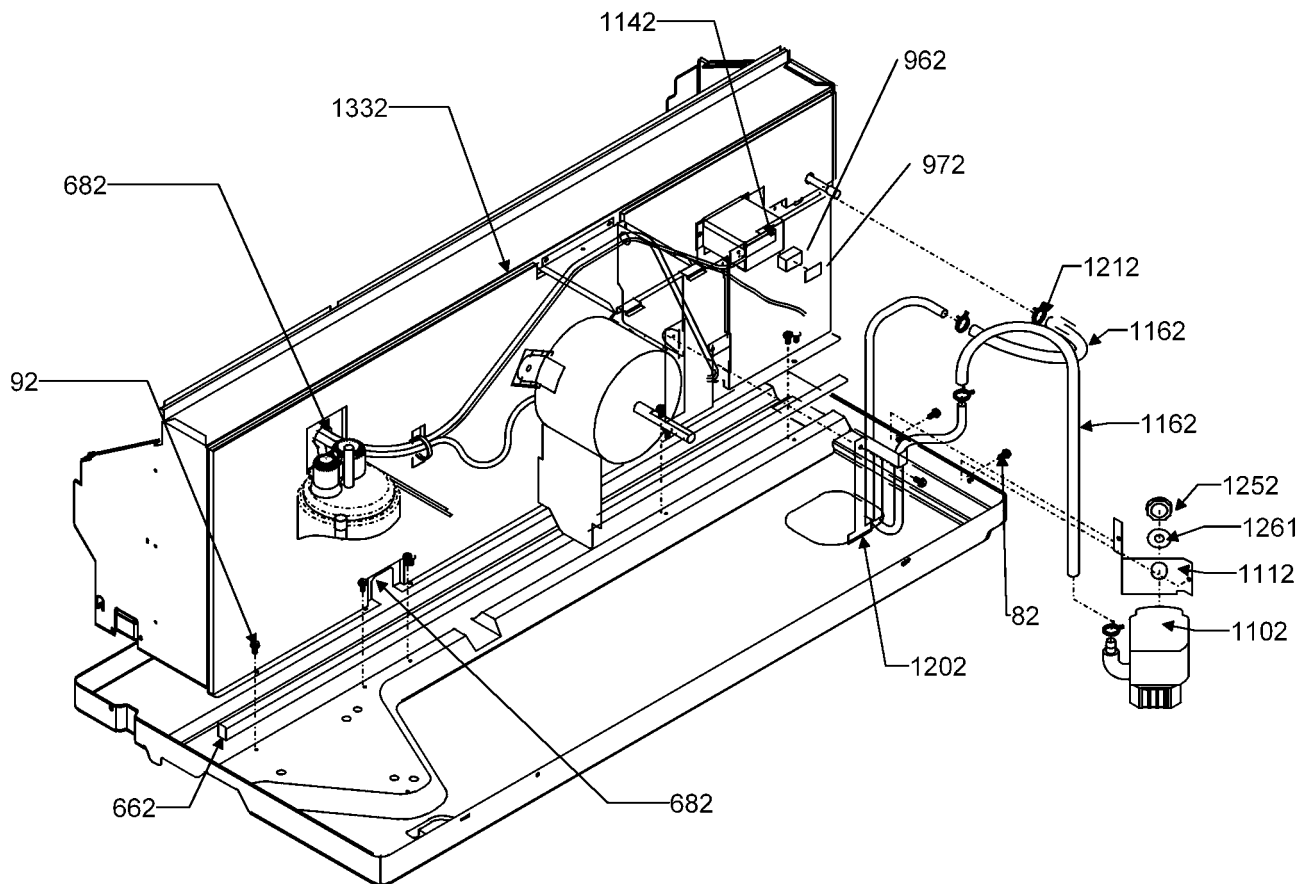


Image 1

Image 2



# Front/Chassis

Ref Part No:	Description:	Ref. Part No:	Description:
--------------	--------------	---------------	--------------

*Image 1:*

11	11042701A	FRONT
21	11167401	GRILLE-DISCHARGE
31	M0293604	PALNUT (QTY 4)
51	11045201	FILTER
61	20282501	GRILLE ASSY
91	11047301	MAGNET
101	11047201	HOLDER-MAGNET
111	11045102	CLIP-SIDE (QTY 2)
121	10690002	DOOR CATCH ASSY (QTY 2)
1261	M0270542	WASHER-FLAT

*Image 2:*

12	20168901	TUBE-CONDENSATE
82	M0211216	SCREW-SM (QTY AR)
92	M0216716	SCREW-SM (QTY AR)
662	10839823	GASKET-.12X.50X41 (QTY AR)
682	M0275521	SEALER-PLASTIC (QTY 8)
962	11178201	INSUL (M8, M9, M10, M11)
972	11178301	BUMPER PTC (M8, M9, M10, M11)
1102	11125301	PUMP-CONDENSATE
1112	20185701	BRKT-COND PUMP
1162	A3435001	TUBE-VINYL (QTY AR)
1202	11135901	BRKT-RESTRICTOR
1212	M0119204	CLAMP-HOSE (QTY 4)
1252	10100401	NUT-COND PUMP
1332	20208601	INSUL-PARTITION PNL

Expanded Model Nomenclature

M1 - PTH093A35DC	P1225309R
M2 - PTH123A35DC	P1225310R
M3 - PTH073A15DC	P1225313R
M4 - PTH093A15DC	P1225314R
M5 - PTH123A15DC	P1225315R
M6 - PTH123A25DC	P1225316R
M7 - PTH153A50DB	P1225319R
M8 - PTH093A35KC	P1225604R
M9 - PTH123A50KC	P1225605R
M10 - PTH093A35LC	P1225804R
M11 - PTH123A50LC	P1225805R



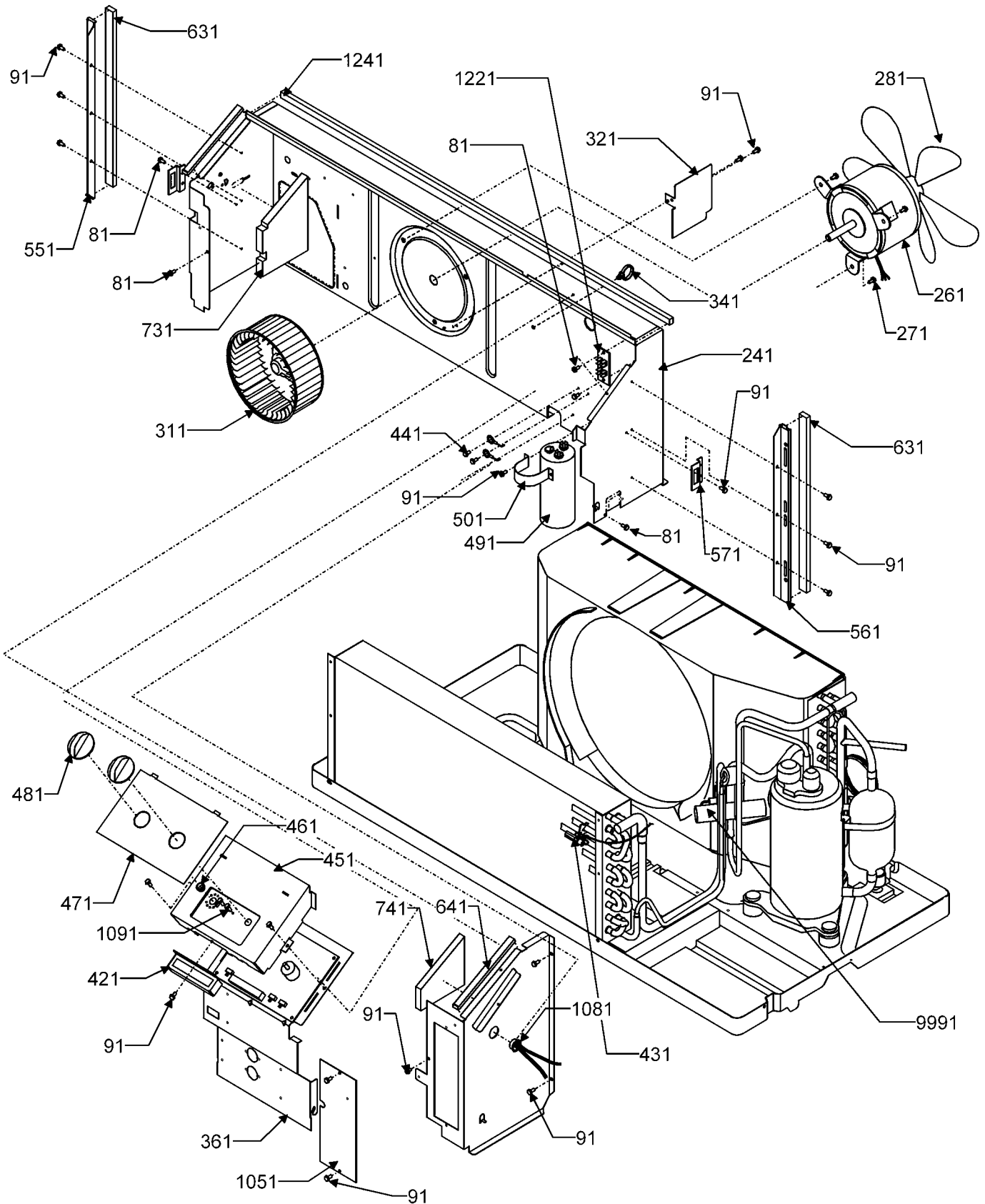
# Chassis

Ref Part No:	Description:	Ref. Part No:	Description:
<i>Image 1:</i>			
41	11042510		BASEPAN-PNT
51	11044702		PAD-EVAP
71	A3315701		GROMMET (QTY 4)
81	M0211216		SCREW-SM (M1, M2, M3, M4, M5, M6, M7, M8, M9)
91	M0216716		SCREW-SM (M8, M9, M10, M11)
101	20007503		COND ASSY (M1, M4, M8, M10)
101	20007504		COND ASSY (M2, M5, M6, M7, M9, M11)
101	20007702		COND ASSY (M3)
201	RF000034		FILTER DRYER ASSEMBLY (M7)
221	11043402		VALVE-DRAIN PAN
231	11045802		SCROLL-BLOWER
291	11167301		SHROUD-COND
301	11044201		BRACE-TIE
331	11046501		BAFFLE-TOP
601	11123904		SCREEN-PNT DISCH
641	10839705		GASKET .50X.25 (QTY AR)
651	10839808		GASKET-.37X.50 (QTY AR)
671	20295704		OUTDOOR THERMISTOR (M1, M2, M3, M4, M5, M6, M8, M9, M10, M11)
811	10839712		GASKET .62X.75 (QTY AR)
1061	10839706		GASKET .50X.50 (QTY AR)
1071	M0120801		CLIP-GUIDE
1301	20189701		INSUL-COND RH
1311	20189801		INSUL-COND LH
1481	10839822		GASKET-24.25X.50

## Expanded Model Nomenclature

M1 - PTH093A35DC	P1225309R
M2 - PTH123A35DC	P1225310R
M3 - PTH073A15DC	P1225313R
M4 - PTH093A15DC	P1225314R
M5 - PTH123A15DC	P1225315R
M6 - PTH123A25DC	P1225316R
M7 - PTH153A50DB	P1225319R
M8 - PTH093A35KC	P1225604R
M9 - PTH123A50KC	P1225605R
M10 - PTH093A35LC	P1225804R
M11 - PTH123A50LC	P1225805R

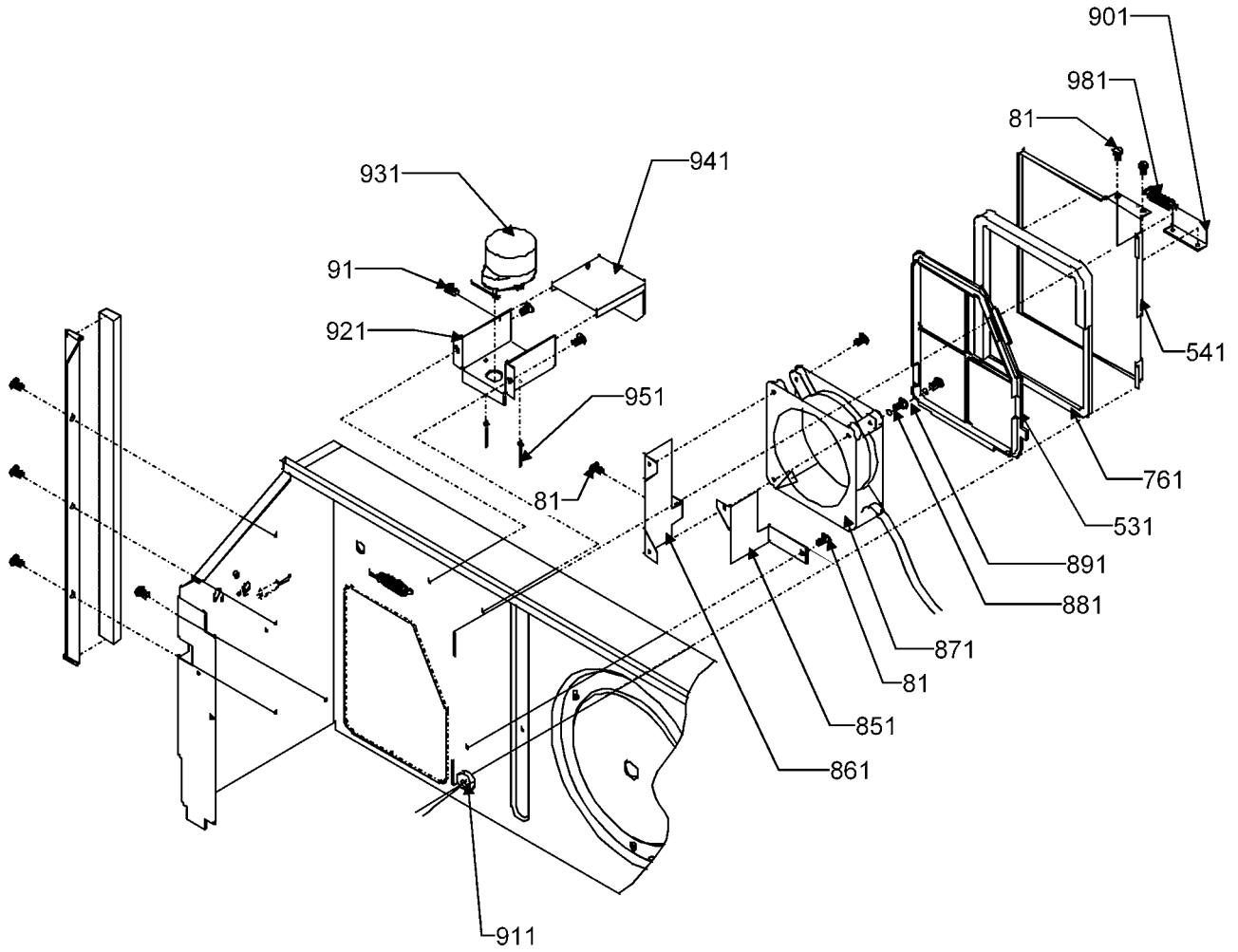
# Chassis



# Chassis

Ref Part No:	Description:	Ref. Part No:	Description:
<i>Image 1:</i>		Expanded Model Nomenclature	
81	M0211216	SCREW-SM (M1, M2, M3, M4, M5, M6, M7, M8, M9)	M1 - PTH093A35DC P1225309R
91	11047301	MAGNET	M2 - PTH123A35DC P1225310R
241	11045508	PANEL-PTN	M3 - PTH073A15DC P1225313R
261	11114907	MOTOR-FAN (M1, M3, M4, M8, M10)	M4 - PTH093A15DC P1225314R
261	11114909	MOTOR-FAN (M2, M5, M6, M7, M9, M11)	M5 - PTH123A15DC P1225315R
271	M0224956	SCREW-TAP R (QTY 3)	M6 - PTH123A25DC P1225316R
281	20046501	FAN-PL. COND.	M7 - PTH153A50DB P1225319R
311	11044101	WHEEL-BLOWER	M8 - PTH093A35KC P1225604R
321	20245401	BAFFLE-COND INLT	M9 - PTH123A50KC P1225605R
341	M0118702	CLIP-GUIDE	M10 - PTH093A35LC P1225804R
361	11121505	CONT PANEL ASSY (M9)	M11 - PTH123A50LC P1225805R
361	11121601	CONT PANEL ASSY (M7)	
361	11121603	CONT PANEL ASSY (M1, M2, M3, M4, M5, M6)	
361	11121803	CONT PANEL ASSY (M8, M10)	
361	11121803	CONT PANEL ASSY (M11)	
421	11045601	COVER-TERM BLK (M7)	
431	20075601	CLIP-T'STAT (QTY 2)	
441	M0227803	SCREW-TC (QTY 2)	
451	11044401	COVER-CONT PANEL (M7)	
451	11044403	COVER-CONT PNL (M1, M2, M3, M4, M5, M6, M8, M9, M10, M11)	
461	M0117902	CLIP-TUBULAR	
471	20005701	PLATE-ESC	
481	11042902	KNOB-CONTROL (QTY 2)	
491	D6789051	CAPACITOR (M2, M5, M6, M9, M11)	
491	D6789049	CAPACITOR-POLY (M7)	
491	D6789054	CAPACITOR-ROUND (M1, M3, M4, M8, M10)	
501	C6300502	STRAP-CAP CO	
551	11044902	SEAL-L SIDE	
561	11044901	SEAL-R SIDE	
571	11191702	BRACKET-PTN PNL (QTY 2)	
631	10839807	GASKET-.37X.75 (QTY AR)	
641	10839705	GASKET .50X.25 (QTY AR)	
731	11122901	INSUL-LEFT	
741	11123001	INSUL-RIGHT	
1051	11167602	COVER-ACCESS	
1081	A4554801	BUSHING-SNAP	
1091	M0216529	SCREW-SM (QTY 4)	
1221	B1160701	BOARD-TERM (M8, M9, M10, M11)	
1241	10839814	GASKET-.50X.50 (QTY AR)	
9991	20295702	THERMISTOR	

# Power Vent/Door



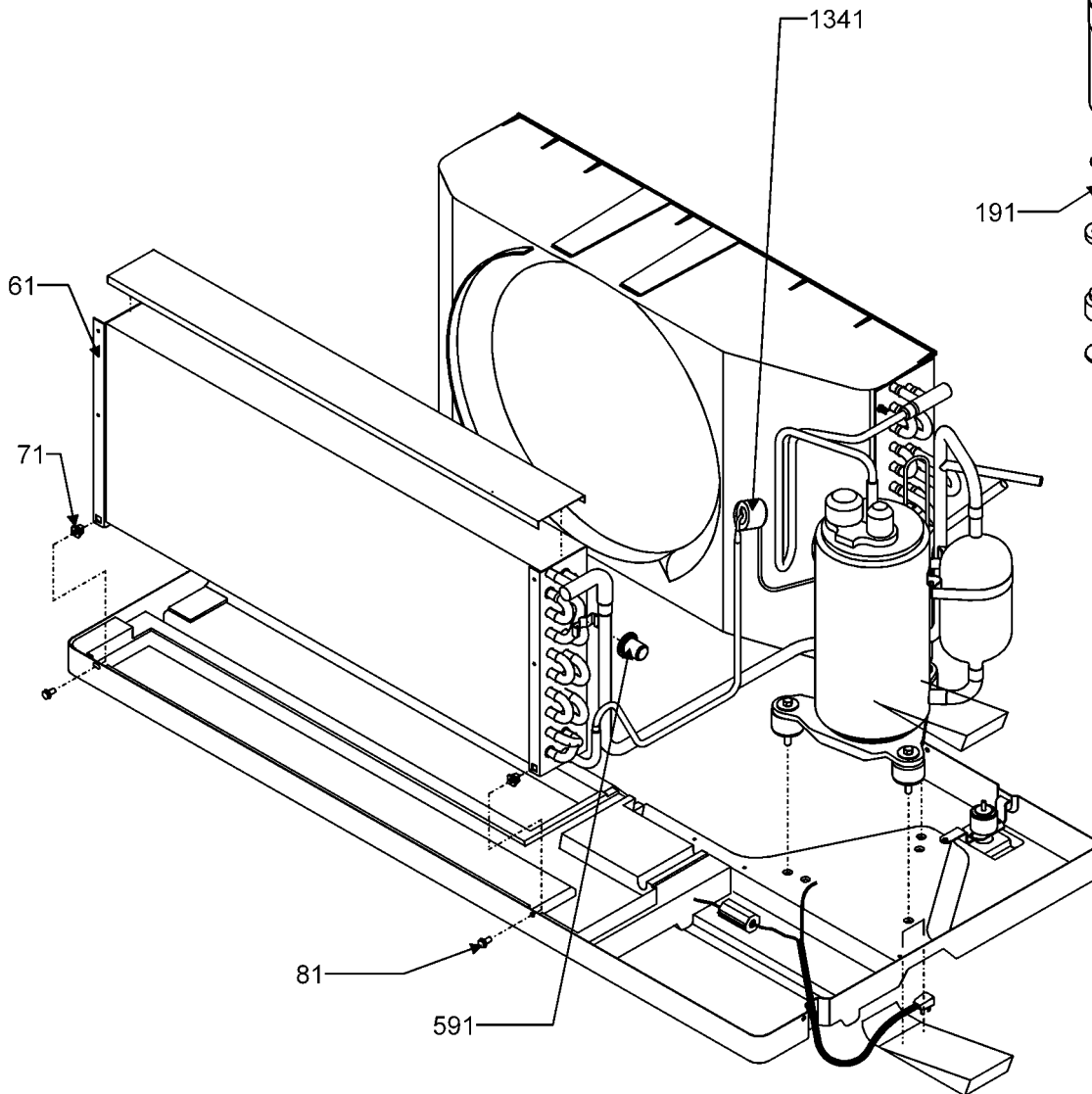
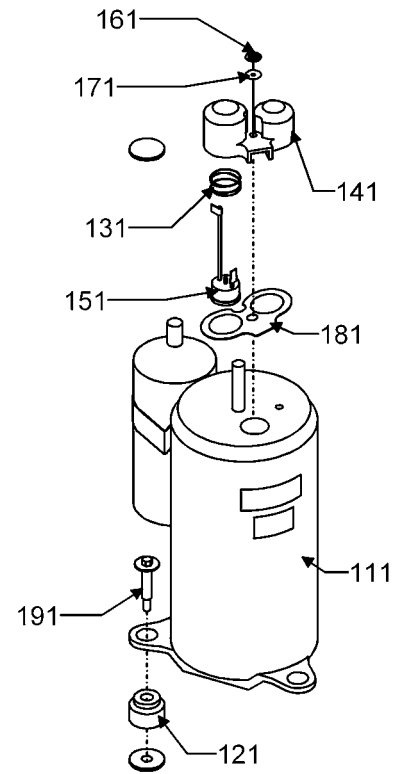
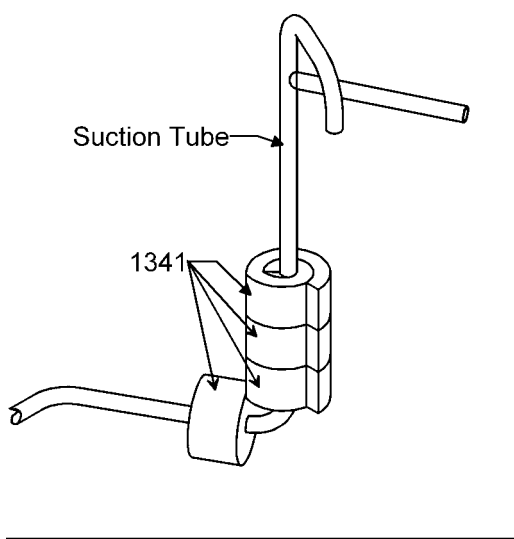
# Power Vent/Door

Ref. Part No:	Description:	Ref. Part No:	Description:
<i>Image 1:</i>			
81	M0211216		SCREW-SM (QTY AR)
91	M0216716		SCREW-SM (QTY AR)
531	11046201		FILTER-VENT
541	11046105		DOOR-VENT
761	10839810		GASKET-.18X.38 (QTY AR)
851	11135801		BRKT-R FAN (M8, M9)
861	11145801		BRKT-L FAN (M8, M9)
871	11149201		FAN-MUFFIN (M8, M9)
881	M0272802		WASHER-LOCK (M8, M9)
891	M0211011		SCREW-SM (M8, M9, M10, M11)
901	11166301		BRKT-PWR VENT (M8, M9)
911	M0370005		RELIEF-STRAIN (M8, M9, M10, M11)
921	11166101		BRKT-MOTOR (M8, M9, M10, M11)
931	11172801		MOTOR (M8, M9, M10, M11)
941	11166201		BRKT-COVER (M8, M9, M10, M11)
951	A4539606		RIVET-POP (M8, M9, M10, M11)
981	11166401		SPRING-EXTENSION (M8, M9, M10, M11)

## Expanded Model Nomenclature

M1 - PTH093A35DC	P1225309R
M2 - PTH123A35DC	P1225310R
M3 - PTH073A15DC	P1225313R
M4 - PTH093A15DC	P1225314R
M5 - PTH123A15DC	P1225315R
M6 - PTH123A25DC	P1225316R
M7 - PTH153A50DB	P1225319R
M8 - PTH093A35KC	P1225604R
M9 - PTH123A50KC	P1225605R
M10 - PTH093A35LC	P1225804R
M11 - PTH123A50LC	P1225805R

# Compressor/Tubing



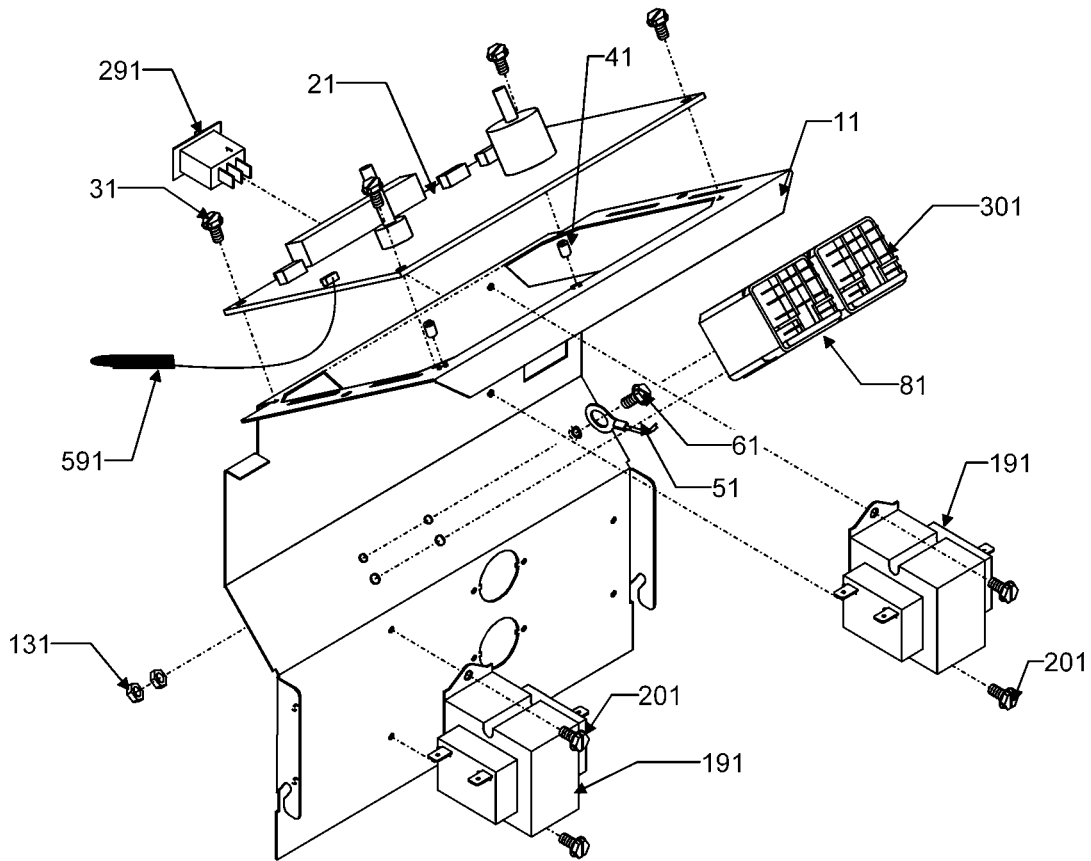
# Compressor/Tubing

Ref Part No:	Description:	Ref. Part No:	Description:
<i>Image 1:</i>			
61 11165603	EVAP ASSY (M2, M5, M6, M7, M9, M11)		
61 11165703	EVAP ASSY (M1, M4, M8, M10)		
61 11165803	EVAP ASSY (M3)		
71 A3315701	GROMMET (QTY 4)		
81 M0211216	SCREW-SM (M10, M11)		
111 D6926116	COMP 2K21S3R236A-7A (M7)		
111 D6985807	COMP-PN 2P17S3R236A (M2, M5, M6, M9, M11)		
111 D6887709	COMP-PN 2R10S3R236A (M3)		
111 D6887711	COMP-PN 2R13S3R236A (M1, M4, M8, M10)		
121 A3448601	GROMMET (M2, M5, M6, M7, M9, M11)		
121 A4622801	GROMMET (M1, M3, M4, M8, M10)		
131 A3436901	SPRING-OVERLOAD		
141 20120103	COVER-TERM		
151 D6961607	OVERLOAD (M7)		
151 D6961612	OVERLOAD (M2, M5, M6, M9, M11)		
151 D6961636	OVERLOAD (M3)		
151 D6961639	OVERLOAD (M1, M4, M8, M10)		
161 A3436601	NUT-TERM COVER		
171 A3436801	GASKET-NUT		
181 A3436701	GASKET-TERM COVER		
191 M0253610	SCREW-SHLDR (M2, M5, M6, M7, M9, M11)		
191 M0253661	SCREW-SHLDR (M1, M3, M4, M8, M10)		
1341 11154803	SEALER-RUBBER BASED		

## Expanded Model Nomenclature

M1 - PTH093A35DC	P1225309R
M2 - PTH123A35DC	P1225310R
M3 - PTH073A15DC	P1225313R
M4 - PTH093A15DC	P1225314R
M5 - PTH123A15DC	P1225315R
M6 - PTH123A25DC	P1225316R
M7 - PTH153A50DB	P1225319R
M8 - PTH093A35KC	P1225604R
M9 - PTH123A50KC	P1225605R
M10 - PTH093A35LC	P1225804R
M11 - PTH123A50LC	P1225805R

# Control Panel



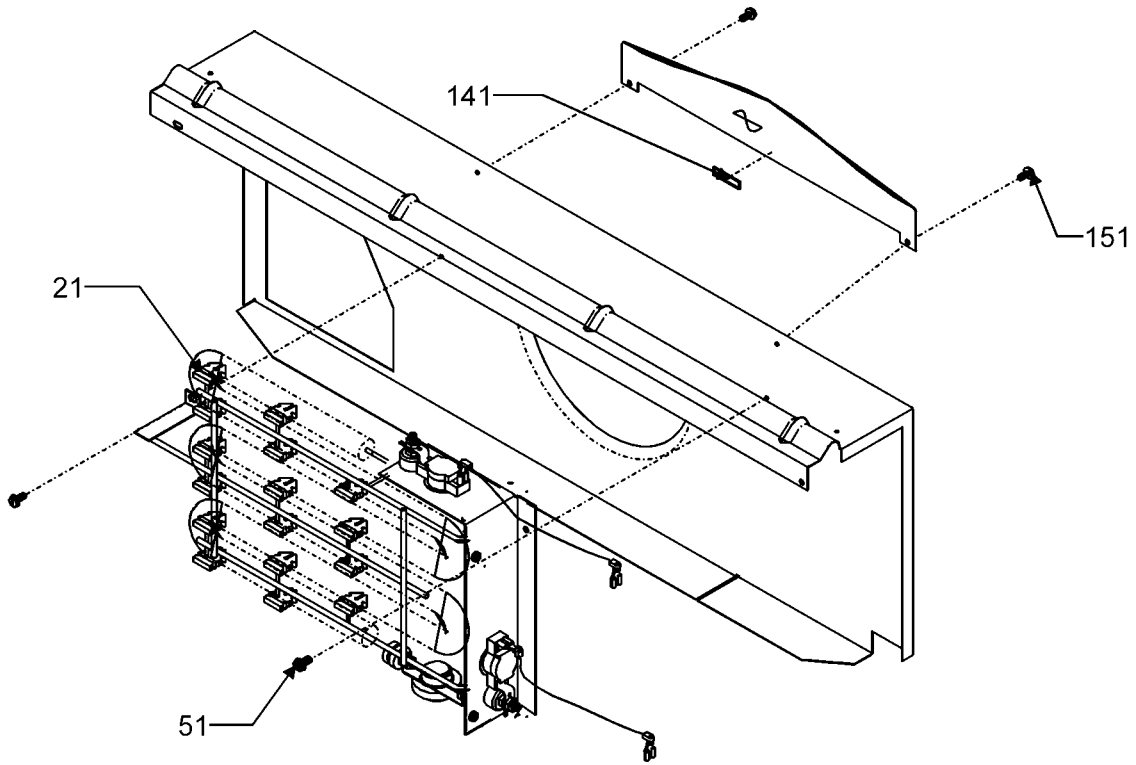
# Control Panel

Ref Part			Ref. Part	
.	No:	Description:	No: No:	Description:
<i>Image 1:</i>				
11	11044504	PANEL-CONTROL		
21	11043305	PC BOARD (M7)		
21	20295502	PC BOARD (M1, M2, M3, M4, M5, M6, M8, M9, M10, M11)		
31	M0216529	SCREW-SM (QTY 4)		
41	M0590702	SUPPORT (QTY 2)		
51	10618849	WIRE-JUMPER GN1		
61	M0227803	SCREW-TC		
81	C8873917	RELAY (M1, M2, M3, M4, M5, M6, M7, M8, M10, M11)		
131	M0282005	NUT-KEPS (M1, M2, M3, M4, M5, M6, M7)		
191	B1378501	TRANSFORMER (M8, M10, M11)		
191	B1378501	TRANSFORMER (M1, M2, M3, M4, M5, M6, M7)		
201	M0216716	SCREW-SM (M1, M2, M3, M4, M5, M6, M7, M8, M10, M11)		
291	B1337701	SWITCH-PADDLE (M8, M10, M11)		
301	C8873932	RELAY (M8, M10, M11)		
591	20295701	INDOOR THERMISTOR (M7)		

## Expanded Model Nomenclature

M1 - PTH093A35DC	P1225309R
M2 - PTH123A35DC	P1225310R
M3 - PTH073A15DC	P1225313R
M4 - PTH093A15DC	P1225314R
M5 - PTH123A15DC	P1225315R
M6 - PTH123A25DC	P1225316R
M7 - PTH153A50DB	P1225319R
M8 - PTH093A35KC	P1225604R
M9 - PTH123A50KC	P1225605R
M10 - PTH093A35LC	P1225804R
M11 - PTH123A50LC	P1225805R

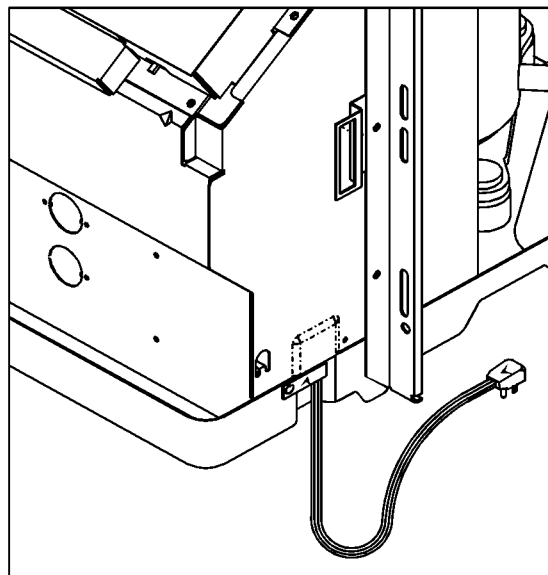
# Heater



## SINGLE STAGE HEAT

Image 1

Image 2



12

102

# Heater

Ref Part No:	Description:	Ref. Part No:	Description:
--------------	--------------	---------------	--------------

*Image 1:*

21	11116201	HTR 3 1.5KW ASSY (M3, M4, M5)
21	20252002	HTR 3 2.5KW ASSY (M6)
21	20252003	HTR 3 3.5KW ASSY (M1, M2, M8, M10)
21	20252005	HTR 3 5.0KW ASSY (M7, M9, M11)
51	M0216716	SCREW-SM (QTY 2)
141	10839722	GASKET .25X.06
151	M0216716	SCREW-SM (QTY 2)

*Image 2:*

12	11114401	CORD-250V 15A (M3, M4, M5, M6)
12	11114501	CORD-250V 20A (M1, M2, M8, M10)
12	11114601	CORD-250V 30A (M7, M9, M11)
102	M0103905	CLAMP-SPEED (M3, M4, M5, M6)
102	M0103906	CLAMP-SPEED (M1, M2, M7, M8, M9, M10, M11)

Expanded Model Nomenclature

M1 - PTH093A35DC	P1225309R
M2 - PTH123A35DC	P1225310R
M3 - PTH073A15DC	P1225313R
M4 - PTH093A15DC	P1225314R
M5 - PTH123A15DC	P1225315R
M6 - PTH123A25DC	P1225316R
M7 - PTH153A50DB	P1225319R
M8 - PTH093A35KC	P1225604R
M9 - PTH123A50KC	P1225605R
M10 - PTH093A35LC	P1225804R
M11 - PTH123A50LC	P1225805R

# Filter-Drier

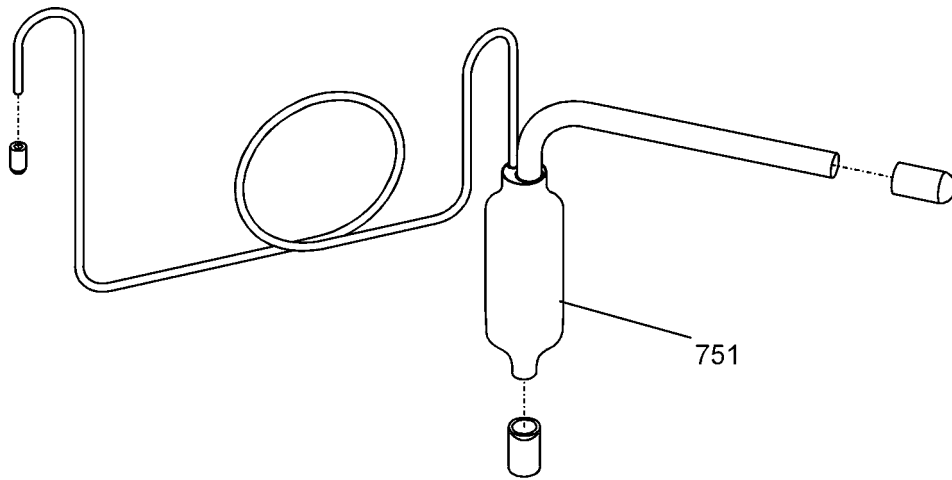


Image 1

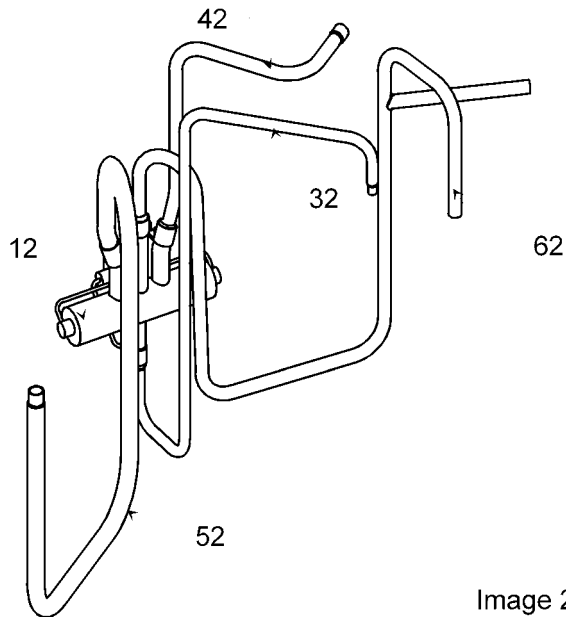


Image 2

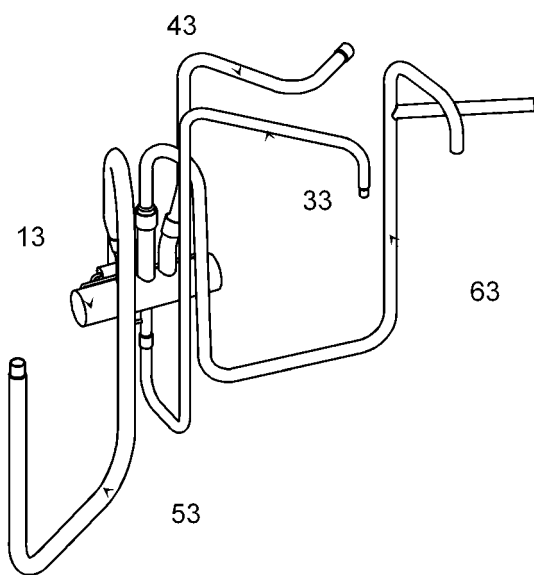


Image 3

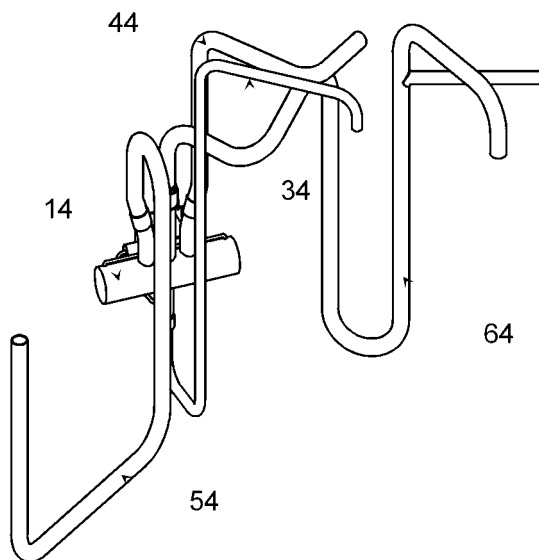


Image 4

# Filter-Drier

Ref Part No:	Description:	Ref. Part No:	Description:
--------------	--------------	---------------	--------------

*Image 1:*

751	20284907	FILTER DRYER (M3)
751	20284909	FILTER DRYER (M1, M4, M8, M10)
751	20284910	FILTER DRYER (M2, M5, M6, M9, M11)
751	20284912	FILTER DRYER (M7)

*Image 2:*

12	20329801	REV VLV ASSY (M3)
32	11192202	TUBE-DISCH (M3)
42	20329201	TUBE-COND (M3)
52	20329101	TUBE-EVAP (M3)
62	20042103	TUBE WELD-SUCT (M3)

*Image 3:*

13	20329801	REV VLV ASSY (M1, M4, M8, M10)
33	11192202	TUBE-DISCH (M1, M4, M8, M10)
43	11192202	TUBE-COND (M1, M4, M8, M10)
53	20329101	TUBE-EVAP (M1, M4, M8, M10)
63	20042303	TUBE WELD-SUCT (M1, M4, M8, M10)

*Image 4:*

14	20329801	REV VLV ASSY (M2, M5, M6, M7, M9, M11)
34	11177902	TUBE-DISCH (M2, M5, M6, M7, M9, M11)
44	20329301	TUBE-COND (M2, M5, M6, M7, M9, M11)
54	20329102	TUBE-EVAP (M2, M5, M6, M7, M9, M11)
64	11192703	TUBE WELD-SUCT (M2, M5, M6, M7, M9, M11)

Expanded Model Nomenclature

M1 - PTH093A35DC	P1225309R
M2 - PTH123A35DC	P1225310R
M3 - PTH073A15DC	P1225313R
M4 - PTH093A15DC	P1225314R
M5 - PTH123A15DC	P1225315R
M6 - PTH123A25DC	P1225316R
M7 - PTH153A50DB	P1225319R
M8 - PTH093A35KC	P1225604R
M9 - PTH123A50KC	P1225605R
M10 - PTH093A35LC	P1225804R
M11 - PTH123A50LC	P1225805R