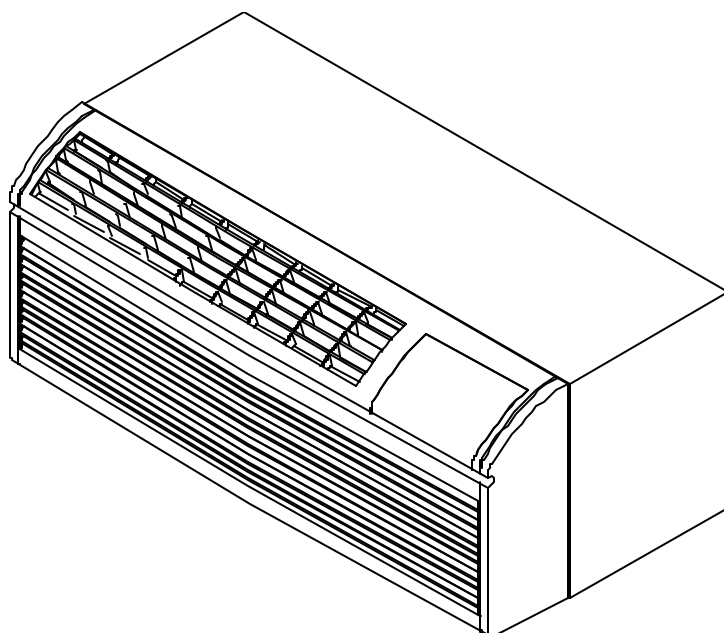


Service Parts

Package Terminal Air Conditioners (Sea Coast Protected Standard)

This manual replaces RP4210009 Rev. 3.

This manual is to be used by qualified appliance technicians only.



Models and manufacturing
numbers in this manual

PTC073A25CB	P1225209R
PTC073A35CB	P1225210R
PTC074A00CB	P1225231R
PTC074A35CB	P1225214R
PTC093A25CB	P1225201R
PTC093A35CB	P1225202R
PTC094A00CB	P1225232R
PTC094A35CB	P1225215R
PTC123A00CB	P1225203R
PTC123A25CB	P1225271R
PTC123A35CB	P1225204R
PTC123A50CB	P1225205R
PTC124A00CB	P1225265R
PTC124A35CB	P1225216R
PTC153A00CB	P1225212R
PTC153A25CB	P1225267R
PTC153A35CB	P1225211R
PTC153A50CB	P1225213R
PTC154A00CB	P1225217R
PTC154A35CB	P1225218R



Amana is a trademark of Maytag Worldwide N.V. and used under license to Goodman Company, L.P. All rights reserved.

RP4210009
Revision 4
August 2003

Copyright © 2003 Goodman Company, L.P.

Important Information

Amana is not responsible for personal injury or property damage resulting from improper service. Review all service information before beginning repairs.

Warranty service must be performed by an authorized technician, using authorized factory parts. If service is required after the warranty expires, Amana also recommends contacting an authorized technician and using authorized factory parts.

For assistance within the U.S.A. contact:

Consumer Affairs Department
Goodman Company, L.P.
7401 Security Way
Houston, Texas 77040
877-254-4729-Telephone
713-863-2382-Facsimile

For assistance outside the U.S.A. contact:

International Division
Goodman Company, L.P.
7401 Security Way
Houston, Texas 77040
713-861-2500-Telephone
713-863-2382-Facsimile

Index

Functional Parts List	4 - 5
Illustration and Parts	6 - 19

Views shown are for parts illustrations only, not servicing procedures.

Rev. 1 added models P1225232R PTC094A00CB, P1225231R PTC074A00CB
Rev. 2 added model PTC124A00CB P1225265R
Rev. 3 added model PTC123A25CB P1225271R
Rev. 4 added model PTC153A25CB P1225267R

Text Codes:

- AR - As Required
- NA - Not Available
- NS - Not Shown
- 00000000 - See Note
- QTY - Quantity Example (QTY 3) (If Quantity not shown, Quantity = 1)
- M - Model Example (M1) (If M Code not shown, then part is used on all Models)

Expanded Model Nomenclature:

Example	
M1 - Model#1	P _____
M2 - Model#2	P _____
M3 - Model#3	P _____

Functional Parts

Part

No: Description:

D6789051	CAPACITOR (M3, M4, M5, M19)
D6879821	CAPACITOR (M1, M2, M6, M7)
D6789025	CAPACITOR-METAL (M14, M15)
D6789049	CAPACITOR-POLY (M8, M9, M10, M20)
D6879847	CAPACITOR-ROUND (M11, M12, M16, M17)
D6879842	CAPACITOR-ROUND (M13, M18)
D6926116	COMP-PN 2K21S3R236A (M8, M9, M10, M20)
D6926117	COMP-PN 2K21S3R276A (M14, M15)
D6985807	COMP-PN 2P17S3R236A (M3, M4, M5, M19)
D6985810	COMP-PN 2P17S3R276A (M13, M18)
D6887709	COMP-PN 2R10S3R236A (M6, M7)
D6887710	COMP-PN 2R10S3R276A (M11, M16)
D6887711	COMP-PN 2R13S3R236A (M1, M2)
D6887712	COMP-PN 2R13S3R276A (M12, M17)
D9871922	COND ASSY-PNT (M1, M6, M7, M11, M12, M16, M17)
D9871923	COND ASSY-PNT (M2, M3, M4, M5, M8, M9, M10, M13, M14, M15, M18, M19, M20)
11114401	CORD-250V 15A (M1, M3, M6, M9, M19, M20)
11114501	CORD-250V 20A (M2, M4, M7, M8)
11114601	CORD-250V 30A (M5, M10)
11114701	CORD-277V-20A (M11, M12, M13, M14, M15, M16, M17, M18)
11165603	EVAP ASSY (M3, M4, M5, M8, M9, M10, M13, M14, M15, M18, M19, M20)
11165703	EVAP ASSY (M1, M2, M12, M17)
11165803	EVAP ASSY (M6, M7, M11, M16)
A3410402	FUSE-15A (M14, M16, M17, M18)
A3410403	FUSE-20A (M11, M12, M13, M15)
M0804204	FUSE-GLASS (M1, M2, M3, M4, M5, M6, M7, M8, M9, M10, M11, M12, M13, M14, M15, M16, M17, M18)
20252002	HTR 3 2.5KW ASSY (M1, M6, M19)
20252003	HTR 3 3.5KW ASSY (M2, M4, M7, M8)
20252005	HTR 3 5.0 KW ASSY (M10)
11177801	HTR 3 5.0 KW ASSY (M5)
11116205	HTR 3 5.0KW ASSY (M10)
20252008	HTR 4 3.7KW ASSY (M11, M12, M13, M15)
11114910	MOTOR-FAN (M13, M14, M15, M18)
11114907	MOTOR-FAN (M1, M2, M6, M7)
11114908	MOTOR-FAN (M11, M12, M16, M17)
11114909	MOTOR-FAN (M3, M4, M5, M8, M9, M10, M19, M20)
D6961636	OVERLOAD (M6, M7)
D6961639	OVERLOAD (M1, M2)
D6961642	OVERLOAD (M12, M17)
D6961643	OVERLOAD (M13, M18)
D6961657	OVERLOAD (M14, M15)
D6961637	OVERLOAD (M11, M16)
D6961612	OVERLOAD (M3, M4, M5, M19)
D6961607	OVERLOAD (M8, M9, M10, M20)
11043305	PC BOARD (M19, M20)
11043304	PC BOARD (M1, M2, M3, M4, M5, M6, M7, M8, M9, M10, M11, M12, M13, M14, M15, M16, M17, M18)
C8873917	RELAY (M5, M19)
11044101	WHEEL-BLOWER

Functional Parts

Part

No: **Description:**

SPECIAL PARTS

11113306 MANUAL-OWNERS (M20)
11113301 MANUAL-OWNERS (M1, M2, M3, M4, M5, M6, M7, M8, M9, M10, M11, M12, M13, M14, M15, M16, M17, M18, M19)
RP4210009 MANUAL-PARTS
11046401 WARRANTY (M20)

Expanded Model and Color Nomenclature

M1 - PTC093A25CB	P1225201R
M2 - PTC093A35CB	P1225202R
M3 - PTC123A00CB	P1225203R
M4 - PTC123A35CB	P1225204R
M5 - PTC123A50CB	P1225205R
M6 - PTC073A25CB	P1225209R
M7 - PTC073A35CB	P1225210R
M8 - PTC153A35CB	P1225211R
M9 - PTC153A00CB	P1225212R
M10 - PTC153A50CB	P1225213R
M11 - PTC074A35CB	P1225214R
M12 - PTC094A35CB	P1225215R
M13 - PTC124A35CB	P1225216R
M14 - PTC154A00CB	P1225217R
M15 - PTC154A35CB	P1225218R
M16 - PTC074A00CB	P1225231R
M17 - PTC094A00CB	P1225232R
M18 - PTC124A00CB	P1225265R
M19 - PTC123A25CB	P1225271R
M20 - PTC153A25CB	P1225267R

Front/Chassis

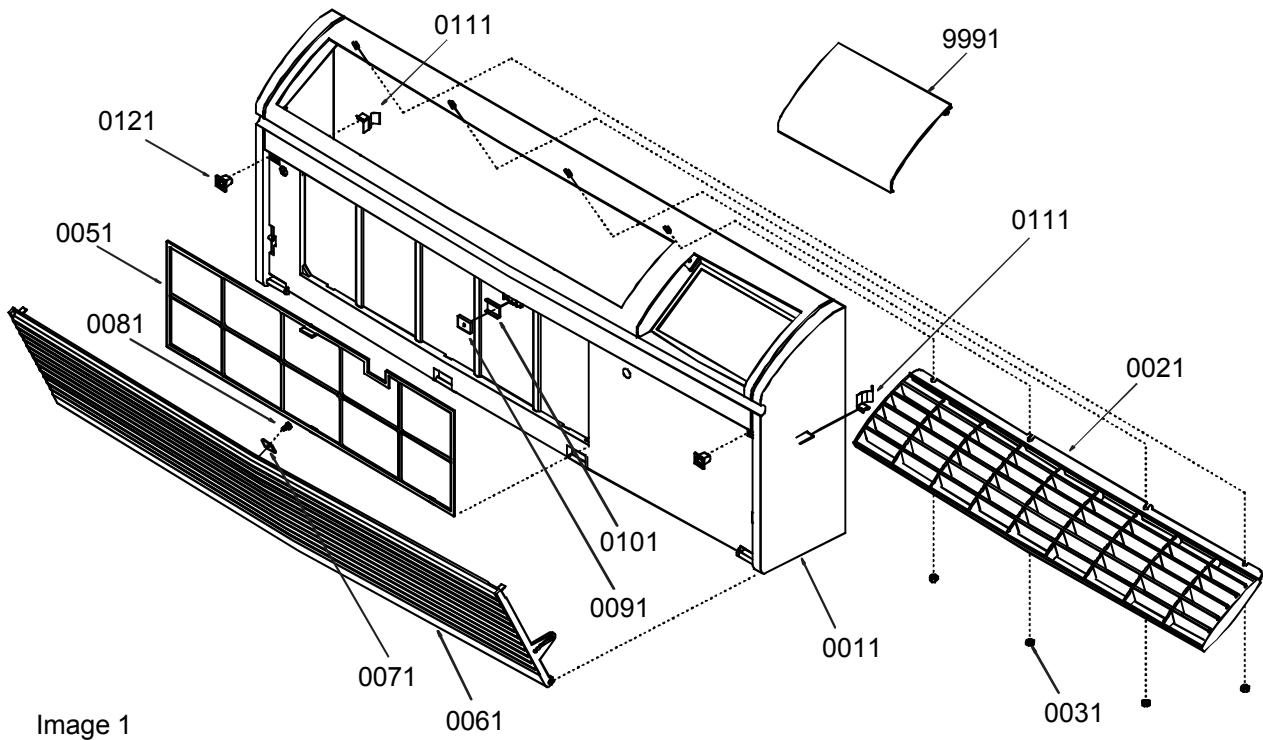
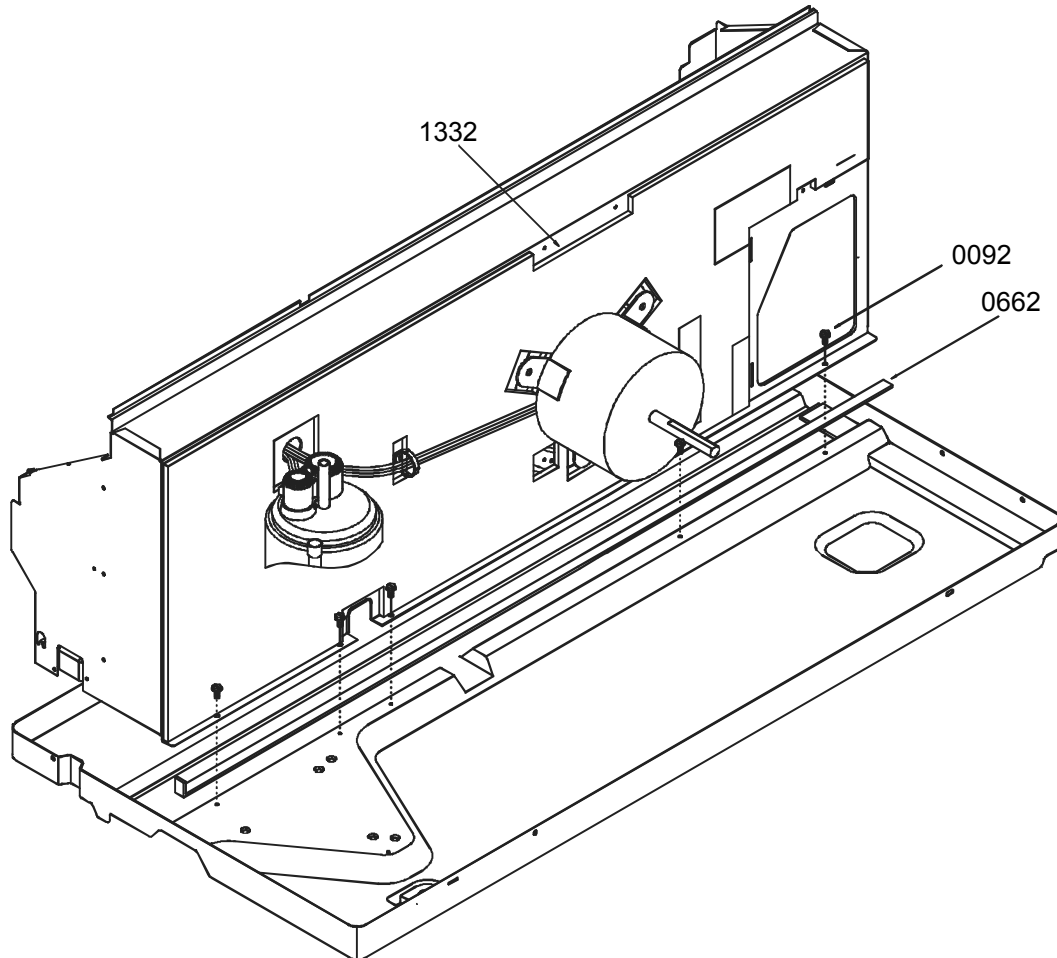


Image 1

Image 2



Front/Chassis

Ref. Part No: No:	Description:	Ref. Part No: No:	Description:
-------------------	--------------	-------------------	--------------

Image 1:

0011	11042701A	FRONT
0021	11167401	GRILLE-DISCHARGE
0031	M0293604	PALNUT (QTY AR)
0051	11045201	FILTER
0061	11042602A	GRILLE-INTAKE
0071	11047101	STRIKE
0081	M0253217	SCREW-TF
0091	11047301	MAGNET
0101	11047201	HOLDER-MAGNET
0111	11045102	CLIP-SIDE (QTY 2)
0121	10690002	DOOR CATCH ASSY (QTY 2)
9991	11143301	DOOR ASSY-AMANA

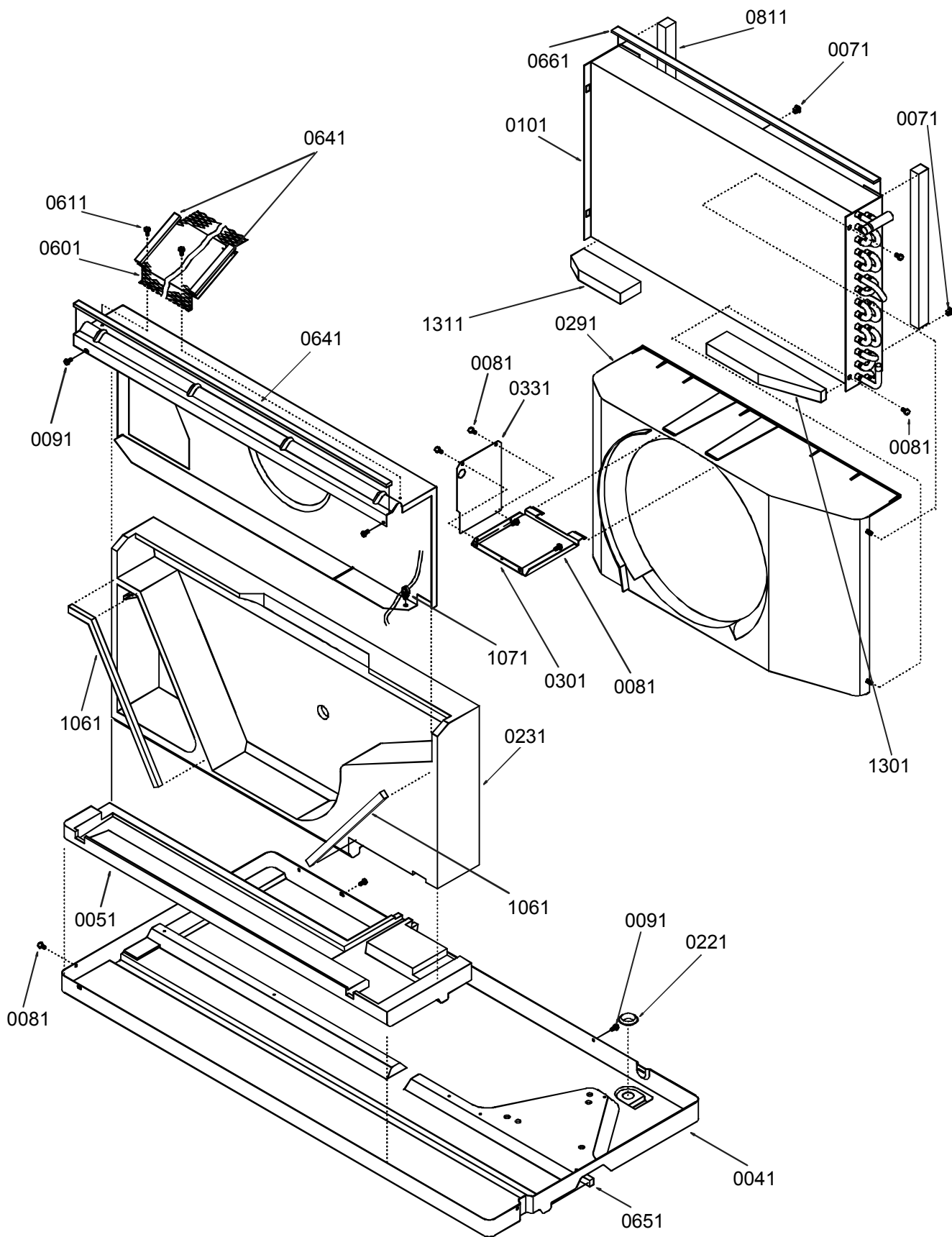
Image 2:

0092	M0216716	SCREW-SM (QTY AR)
0662	10839803	GASKET-CROSS LINK (QTY AR)
1332	20208601	INSUL-PARTITION PNL

Expanded Model and Color Nomenclature

M1 - PTC093A25CB	P1225201R
M2 - PTC093A35CB	P1225202R
M3 - PTC123A00CB	P1225203R
M4 - PTC123A35CB	P1225204R
M5 - PTC123A50CB	P1225205R
M6 - PTC073A25CB	P1225209R
M7 - PTC073A35CB	P1225210R
M8 - PTC153A35CB	P1225211R
M9 - PTC153A00CB	P1225212R
M10 - PTC153A50CB	P1225213R
M11 - PTC074A35CB	P1225214R
M12 - PTC094A35CB	P1225215R
M13 - PTC124A35CB	P1225216R
M14 - PTC154A00CB	P1225217R
M15 - PTC154A35CB	P1225218R
M16 - PTC074A00CB	P1225231R
M17 - PTC094A00CB	P1225232R
M18 - PTC124A00CB	P1225265R
M19 - PTC123A25CB	P1225271R
M20 - PTC153A25CB	P1225267R

Chassis



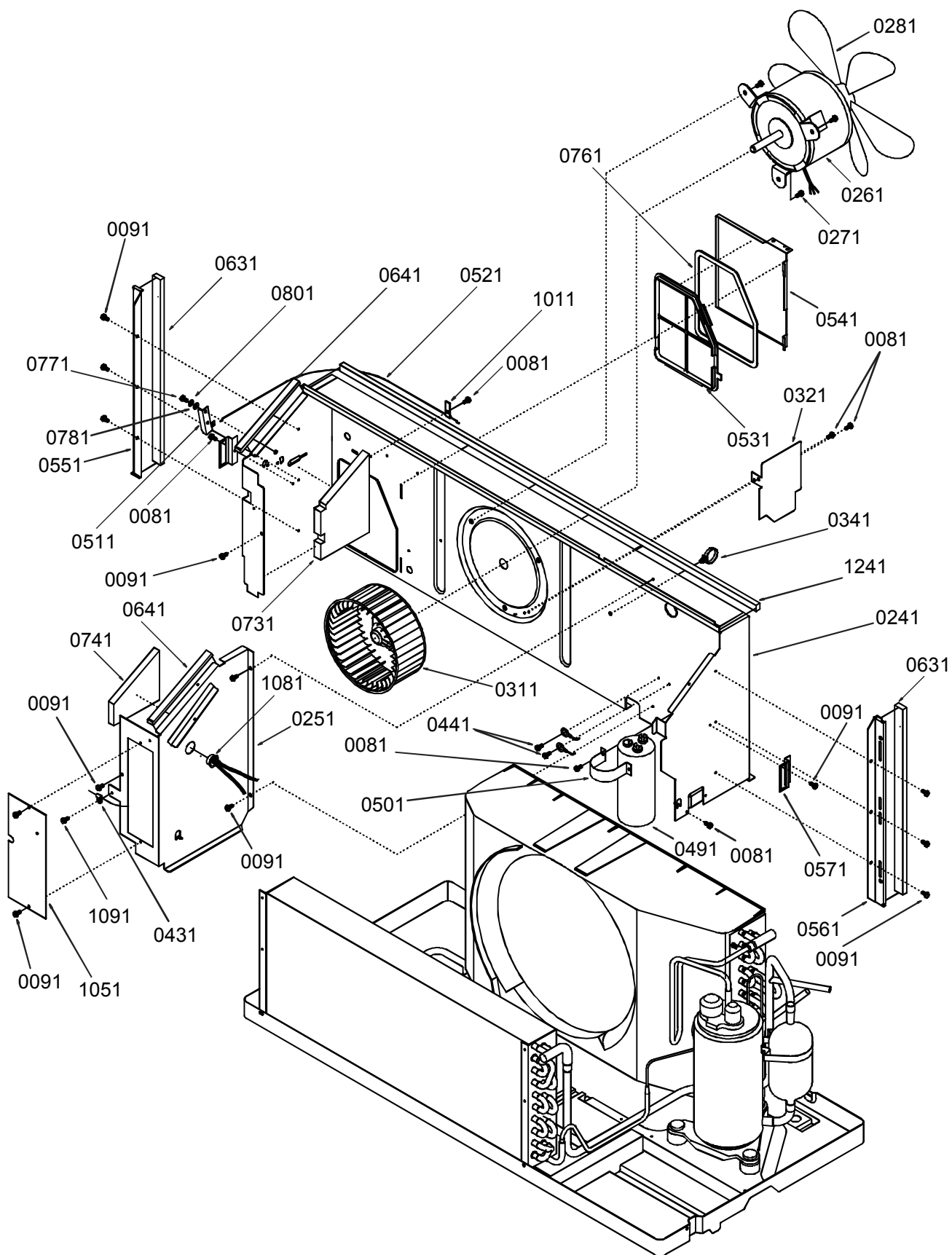
Chassis

Ref. Part No:	No:	Description:	Ref. Part No:	No:	Description:
<i>Image 1:</i>					
0041	11042511	BASEPAN-PNT			
0051	11044702	PAD-EVAPORATOR			
0071	A3315701	GROMMET (QTY AR)			
0081	M0211216	SCREW-SM (QTY AR)			
0091	M0216716	SCREW-SM (QTY AR)			
0101	D9871922	COND ASSY-PNT (M1, M6, M7, M11, M12, M16, M17)			
0101	D9871923	COND ASSY-PNT (M2, M3, M4, M5, M8, M9, M10, M13, M14, M15, M18, M19, M20)			
0221	A3080003	PLUG-BUTTON			
0231	11045802	SCROLL-BLOWER (M1, M2, M3, M4, M5, M6, M7, M8, M9, M10, M11, M12, M13, M14, M15, M16, M17, M18, M19)			
0231	11045803	SCROLL-BLOWER (M20)			
0291	11167301	SHROUD-CONDENSER			
0301	11044202	TIE BRACE-PNT			
0331	11046502	TOP BAFF-PNT			
0601	11123904	DISCH-SCREEN-PNT			
0611	M0204517	SCREW-SM STL ZINC (QTY AR)			
0641	10839705	GASKET-URETHANE (QTY AR)			
0651	10839808	GASKET-FOAM (QTY AR)			
0661	10839803	GASKET-CROSS LINK (QTY AR)			
0811	10839712	GASKET-URETHANE (QTY AR)			
1061	10839706	GASKET-URETHANE (QTY AR)			
1071	M0120801	CLIP-GUIDE			
1301	20189701	INSUL-COND RH			
1311	20189801	INSUL-COND LH			

Expanded Model and Color Nomenclature

M1 - PTC093A25CB	P1225201R
M2 - PTC093A35CB	P1225202R
M3 - PTC123A00CB	P1225203R
M4 - PTC123A35CB	P1225204R
M5 - PTC123A50CB	P1225205R
M6 - PTC073A25CB	P1225209R
M7 - PTC073A35CB	P1225210R
M8 - PTC153A35CB	P1225211R
M9 - PTC153A00CB	P1225212R
M10 - PTC153A50CB	P1225213R
M11 - PTC074A35CB	P1225214R
M12 - PTC094A35CB	P1225215R
M13 - PTC124A35CB	P1225216R
M14 - PTC154A00CB	P1225217R
M15 - PTC154A35CB	P1225218R
M16 - PTC074A00CB	P1225231R
M17 - PTC094A00CB	P1225232R
M18 - PTC124A00CB	P1225265R
M19 - PTC123A25CB	P1225271R
M20 - PTC153A25CB	P1225267R

Chassis



Chassis

**Ref. Part
No: No:**

Description:

**Ref. Part
No: No:**

Description:

Image 1:

0081	M0211216	SCREW-SM (QTY AR)
0091	M0216716	SCREW-SM (QTY AR)
0241	11045509	PANEL-PTN PNT PTC (M20)
0241	11045505	PARTITION PANEL-PNT (M1, M2, M3, M4, M5, M6, M7, M8, M9, M10, M11, M12, M13, M14, M15, M16, M17, M18, M19)
0251	11167503	PANEL-MID PART (M1, M2, M3, M4, M5, M6, M7, M8, M9, M10, M11, M12, M13, M14, M15, M16, M17, M18, M19)
0251	11167504	PANEL-MID PTN PTC (M20)
0261	11114907	MOTOR-FAN (M1, M2, M6, M7)
0261	11114908	MOTOR-FAN (M11, M12, M16, M17)
0261	11114909	MOTOR-FAN (M3, M4, M5, M8, M9, M10, M19, M20)
0261	11114910	MOTOR-FAN (M13, M14, M15, M18)
0271	M0224956	SCREW-TAP R (QTY 3)
0281	20046501	FAN-PL. COND.
0311	11044101	WHEEL-BLOWER
0321	20245402	COND INLET BAFF-PNT (M1, M2, M3, M4, M5, M6, M7, M8, M9, M10, M11, M12, M13, M14, M15, M16, M17, M18, M19)
0341	M0118702	CLIP-GUIDE
0431	20075601	CLIP-T'STAT
0441	M0227803	SCREW-TC (QTY AR)
0491	D6789051	CAPACITOR (M3, M4, M5, M19)
0491	D6879821	CAPACITOR (M1, M2, M6, M7)
0491	D6789025	CAPACITOR-METAL (M14, M15)
0491	D6789049	CAPACITOR-POLY (M8, M9, M10, M20)
0491	D6879842	CAPACITOR-ROUND (M13, M18)
0491	D6879847	CAPACITOR-ROUND (M11, M12, M16, M17)
0501	C6300502	STRAP-CAPACITOR (M1, M2, M3, M4, M5, M6, M7, M8, M9, M10, M11, M12, M13, M16, M17, M18, M19, M20)
0501	C6300503	STRAP-CAPACITOR (M14, M15)
0511	11046302	LEVER ARM
0521	11115401	CABLE
0531	11046201	FILTER-VENT
0541	11046106	DOOR-PNT VENT (M19, M20)
0541	11046103	VENT DOOR-PNT (M1, M2, M3, M4, M5, M6, M7, M8, M9, M10, M11, M12, M13, M14, M15, M16, M17, M18)
0551	11044902	SEAL-L SIDE
0561	11044901	SEAL-R SIDE
0571	11191702	BRKT-PART PAN (QTY 2)
0631	10839807	GASKET-CROSS LINK (QTY AR)
0641	10839705	GASKET-URETHANE (QTY AR)
0731	11122901	INSUL-LEFT
0741	11123001	INSUL-RIGHT
0761	10839810	GASKET-CROSS LINK (QTY AR)
0771	M0220757	SCREW-SHLDR
0781	M0273701	WASHER-SPRING
0801	M0270529	WASHER-FLAT
1011	M0108103	CLAMP-TUBE
1051	11167602	COVER-ACCESS
1081	A4554801	BUSHING-SNAP (M1, M2, M3, M4, M5, M6, M7, M8, M9, M10, M11, M12, M13, M14, M15, M16, M17, M18)

1091	M0216529	SCREW-SM (QTY AR)
1241	10839814	GASKET-FOAM (QTY AR)

Expanded Model and Color Nomenclature

M1 - PTC093A25CB	P1225201R
M2 - PTC093A35CB	P1225202R
M3 - PTC123A00CB	P1225203R
M4 - PTC123A35CB	P1225204R
M5 - PTC123A50CB	P1225205R
M6 - PTC073A25CB	P1225209R
M7 - PTC073A35CB	P1225210R
M8 - PTC153A35CB	P1225211R
M9 - PTC153A00CB	P1225212R
M10 - PTC153A50CB	P1225213R
M11 - PTC074A35CB	P1225214R
M12 - PTC094A35CB	P1225215R
M13 - PTC124A35CB	P1225216R
M14 - PTC154A00CB	P1225217R
M15 - PTC154A35CB	P1225218R
M16 - PTC074A00CB	P1225231R
M17 - PTC094A00CB	P1225232R
M18 - PTC124A00CB	P1225265R
M19 - PTC123A25CB	P1225271R
M20 - PTC153A25CB	P1225267R

Compressor/Tubing

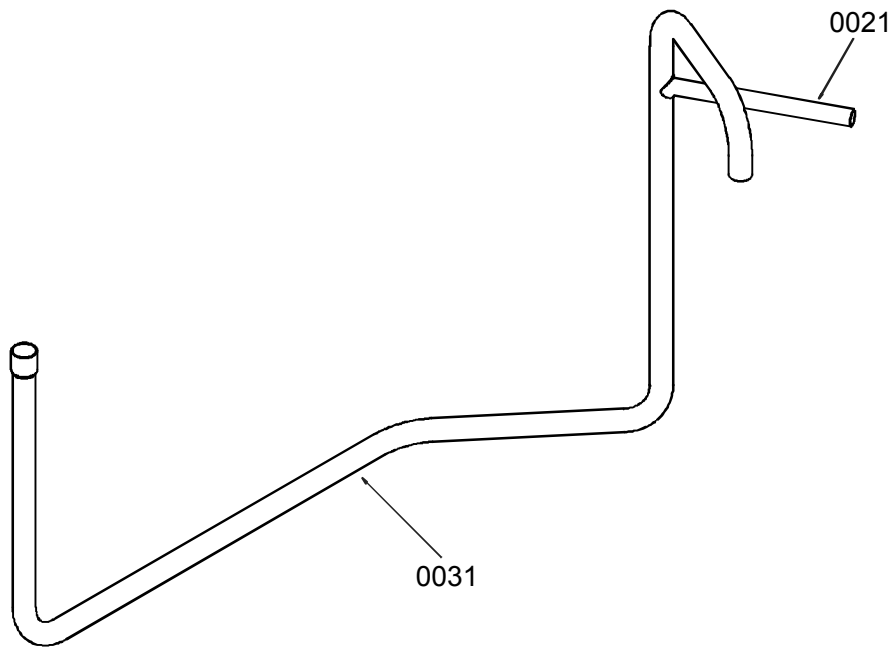
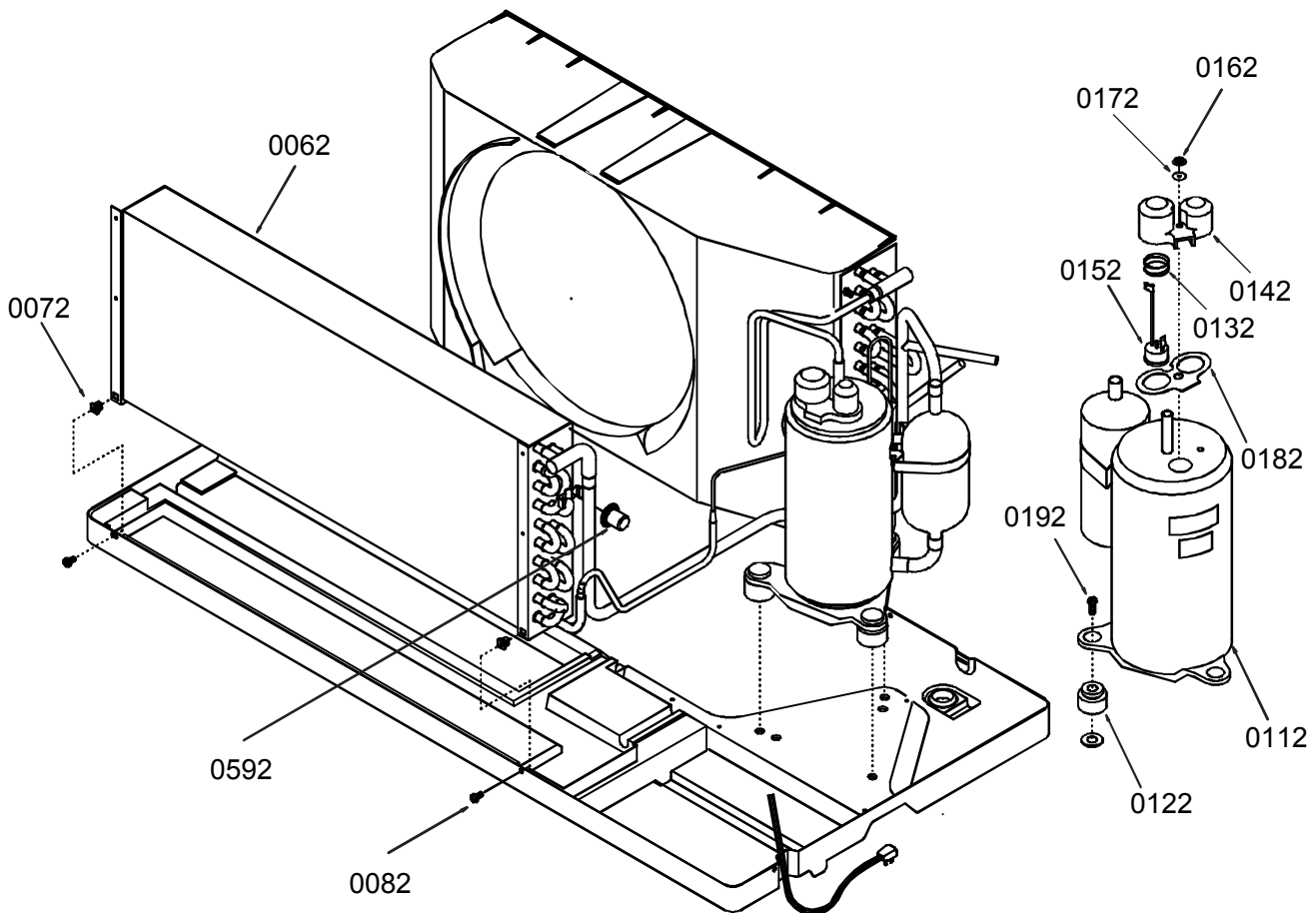


Image 1

Image 2



Compressor/Tubing

Ref. Part

No: No: Description:

Image 1:

0021	A4528917	TUBE-PROCESS (M3, M4, M5, M8, M9, M10, M13, M14, M15, M18, M19)
0021	A4528918	TUBE-PROCESS (M1, M2, M6, M7, M11, M12, M16, M17)
0021	A4643702	TUBE-PROCESS (M19)
0021	A4528927	TUBE-PROCESS PTC (M20)
0031	11144601	TUBE-SUCTION (M20)
0031	11144601	TUBE-SUCTION (M3, M4, M5, M8, M9, M10, M13, M14, M15, M18, M19)
0031	11194101	TUBE-SUCTION (M6, M7, M11, M16)
0031	11194301	TUBE-SUCTION (M1, M2, M12, M17)

Image 2:

0062	11165603	EVAP ASSY (M3, M4, M5, M8, M9, M10, M13, M14, M15, M18, M19, M20)
0062	11165703	EVAP ASSY (M1, M2, M12, M17)
0062	11165803	EVAP ASSY (M6, M7, M11, M16)
0072	A3315701	GROMMET (QTY AR)
0082	M0211216	SCREW-SM (QTY AR)
0112	D6926116	COMP-PN 2K21S3R236A (M8, M9, M10, M20)
0112	D6926117	COMP-PN 2K21S3R276A (M14, M15)
0112	D6985807	COMP-PN 2P17S3R236A (M3, M4, M5, M19)
0112	D6985810	COMP-PN 2P17S3R276A (M13, M18)
0112	D6887709	COMP-PN 2R10S3R236A (M6, M7)
0112	D6887710	COMP-PN 2R10S3R276A (M11, M16)
0112	D6887711	COMP-PN 2R13S3R236A (M1, M2)
0112	D6887712	COMP-PN 2R13S3R276A (M12, M17)
0122	A3448601	GROMMET (M3, M4, M5, M8, M9, M10, M13, M14, M15, M18, M19, M20)
0122	A4622801	GROMMET (M1, M2, M6, M7, M11, M12, M16, M17)
0132	A3436901	SPRING-OVERLOAD
0142	10329001	COVER-TERM (M1, M2, M3, M4, M5, M6, M7, M8, M9, M10, M11, M12, M13, M14, M15, M16, M17, M18)
0142	20120103	COVER-TERM (M19, M20)
0152	D6961607	OVERLOAD (M8, M9, M10, M20)
0152	D6961612	OVERLOAD (M3, M4, M5, M19)
0152	D6961636	OVERLOAD (M6, M7)
0152	D6961637	OVERLOAD (M11, M16)
0152	D6961639	OVERLOAD (M1, M2)
0152	D6961642	OVERLOAD (M12, M17)
0152	D6961643	OVERLOAD (M13, M18)
0152	D6961657	OVERLOAD (M14, M15)
0162	A3436601	NUT-TERM COVER
0172	A3436801	GASKET-NUT
0182	A3436701	GASKET-TERM COVER
0192	M0253610	SCREW-SHLDR (M3, M4, M5, M8, M9, M10, M13, M14, M15, M18, M19, M20)
0192	M0253661	SCREW-SHLDR (M1, M2, M6, M7, M11, M12, M16, M17)
NS	M0211345	SCREW-SM (QTY AR)

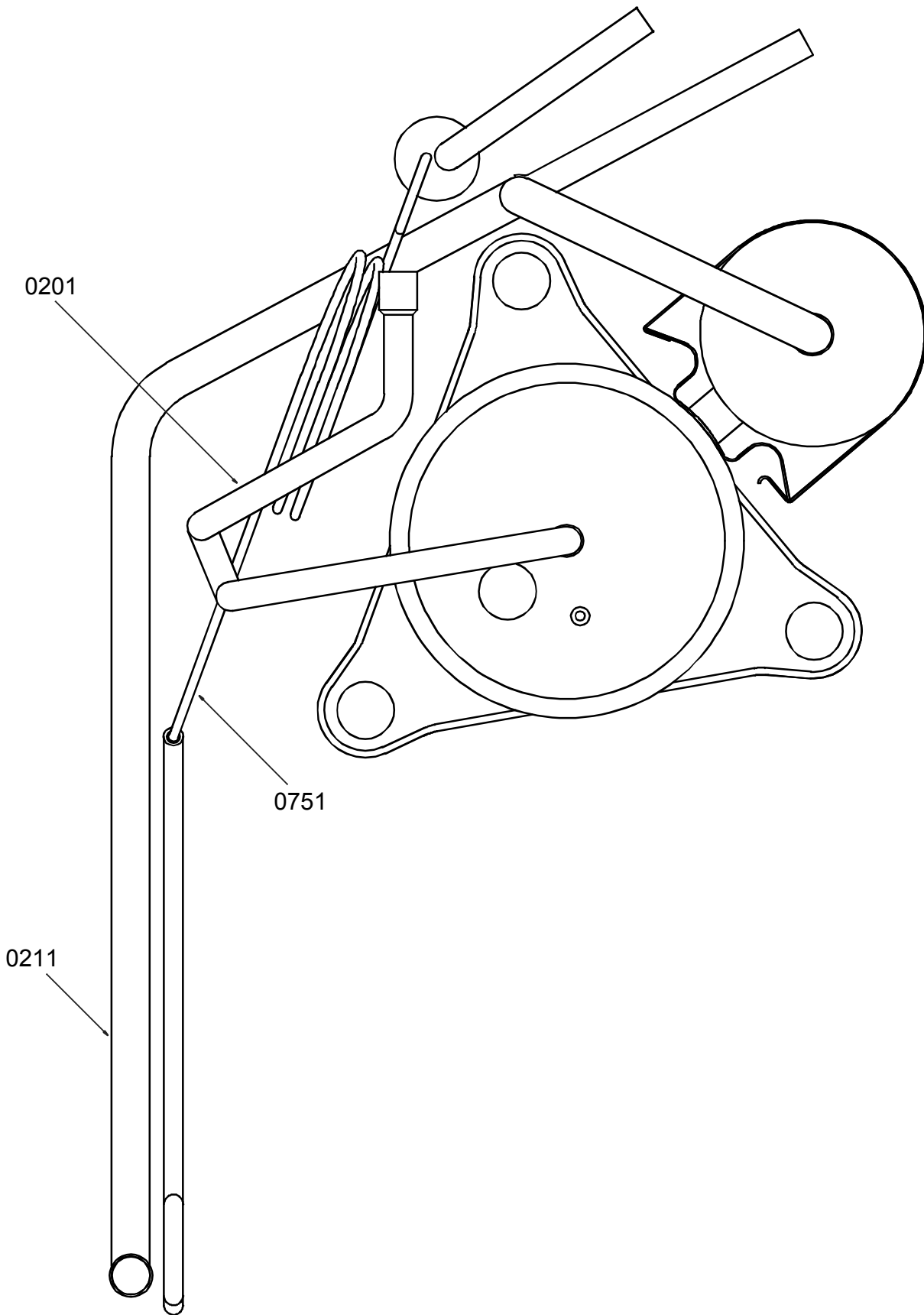
Ref. Part

No: No: Description:

Expanded Model and Color Nomenclature

M1 - PTC093A25CB	P1225201R
M2 - PTC093A35CB	P1225202R
M3 - PTC123A00CB	P1225203R
M4 - PTC123A35CB	P1225204R
M5 - PTC123A50CB	P1225205R
M6 - PTC073A25CB	P1225209R
M7 - PTC073A35CB	P1225210R
M8 - PTC153A35CB	P1225211R
M9 - PTC153A00CB	P1225212R
M10 - PTC153A50CB	P1225213R
M11 - PTC074A35CB	P1225214R
M12 - PTC094A35CB	P1225215R
M13 - PTC124A35CB	P1225216R
M14 - PTC154A00CB	P1225217R
M15 - PTC154A35CB	P1225218R
M16 - PTC074A00CB	P1225231R
M17 - PTC094A00CB	P1225232R
M18 - PTC124A00CB	P1225265R
M19 - PTC123A25CB	P1225271R
M20 - PTC153A25CB	P1225267R

Tubing



Tubing

Ref. Part No:	Description:	Ref. Part No:	Description:
---------------	--------------	---------------	--------------

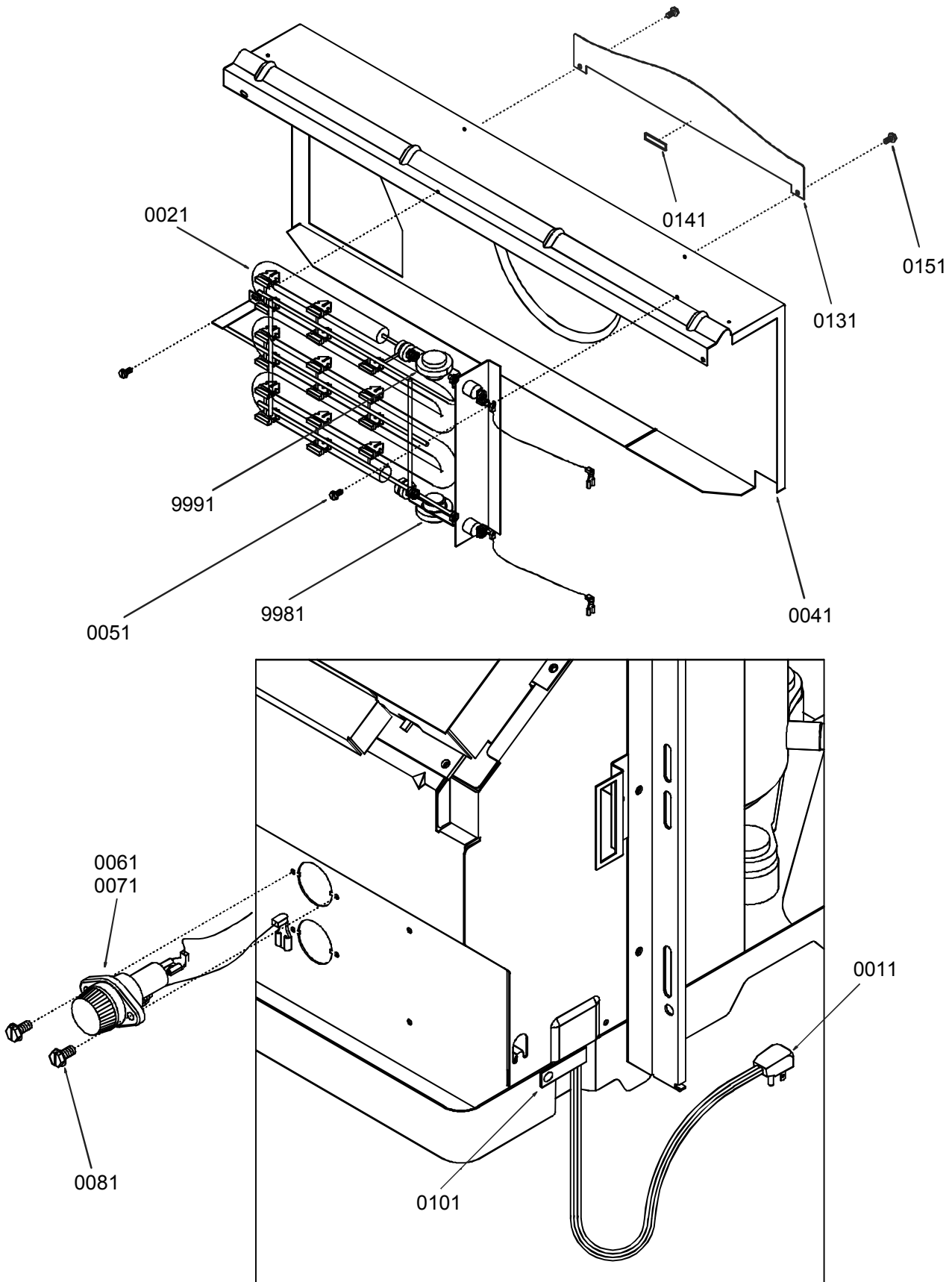
Image 1:

0201 11178502	TUBE-DISCH (M8, M9, M10, M14, M15)
0201 11194201	TUBE-DISCH (M6, M7, M11, M16)
0201 20228501	TUBE-DISCH (M1, M2, M12, M17, M19)
0201 20335601	TUBE-DISCH (M20)
0201 11180101	TUBE-DISCHARGE (M3, M4, M5, M13, M18)
0211 11144501	SUCTION TUBE WELD (M3, M4, M5, M8, M9, M10, M13, M14, M15, M18, M19)
0211 11194401	SUCTION TUBE WELD (M6, M7, M11, M16)
0211 11194501	SUCTION TUBE WELD (M1, M2, M12, M17)
0751 20284901	CAPILLARY WELD (M6, M7, M11, M16)
0751 20284902	CAPILLARY WELD (M1, M2, M12, M17)
0751 20284904	CAPILLARY WELD (M3, M4, M5, M13, M18, M19)
0751 20284906	CAPILLARY WELD (M8, M9, M10, M14, M15, M20)

Expanded Model and Color Nomenclature

M1 - PTC093A25CB	P1225201R
M2 - PTC093A35CB	P1225202R
M3 - PTC123A00CB	P1225203R
M4 - PTC123A35CB	P1225204R
M5 - PTC123A50CB	P1225205R
M6 - PTC073A25CB	P1225209R
M7 - PTC073A35CB	P1225210R
M8 - PTC153A35CB	P1225211R
M9 - PTC153A00CB	P1225212R
M10 - PTC153A50CB	P1225213R
M11 - PTC074A35CB	P1225214R
M12 - PTC094A35CB	P1225215R
M13 - PTC124A35CB	P1225216R
M14 - PTC154A00CB	P1225217R
M15 - PTC154A35CB	P1225218R
M16 - PTC074A00CB	P1225231R
M17 - PTC094A00CB	P1225232R
M18 - PTC124A00CB	P1225265R
M19 - PTC123A25CB	P1225271R
M20 - PTC153A25CB	P1225267R

Heater



Heater

Ref. Part No:	No:	Description:	Ref. Part No:	No:	Description:
<i>Image 1:</i>					
0011	11114401	CORD-250V 15A (M1, M3, M6, M9, M19, M20)			
0011	11114501	CORD-250V 20A (M2, M4, M7, M8)			
0011	11114601	CORD-250V 30A (M5, M10)			
0011	11114701	CORD-277V-20A (M11, M12, M13, M14, M15, M16, M17, M18)			
0021	20252002	HTR 3 2.5KW ASSY (M1, M6, M19)			
0021	20460602	HTR 3 2.5KW ASSY (M20)			
0021	20252003	HTR 3 3.5KW ASSY (M2, M4, M7, M8)			
0021	11177801	HTR 3 5.0 KW ASSY (M5)			
0021	20252005	HTR 3 5.0 KW ASSY (M10)			
0021	11116205	HTR 3 5.0KW ASSY (M10)			
0021	20252008	HTR 4 3.7KW ASSY (M11, M12, M13, M15)			
0041	11044304	BLWR INTAKE			
0051	M0216716	SCREW-SM (QTY AR)			
0061	C6476002	HOLDER-BAYONET FUSE (M11, M12, M13, M14, M15, M16, M17, M18)			
0071	A3410402	FUSE-15A (M14, M16, M17, M18)			
0071	A3410403	FUSE-20A (M11, M12, M13, M15)			
0081	M0213817	SCREW-SM (M11, M12, M13, M14, M15, M16, M17, M18, M19, M20)			
0101	M0103905	CLAMP-SPEED (M1, M3, M6, M9, M19, M20)			
0101	M0103906	CLAMP-SPEED (M2, M4, M5, M7, M8, M10, M11, M12, M13, M14, M15, M16, M17, M18)			
0131	11043902	BLW IN EX			
0141	10839722	GASKET-URETHANE			
0151	M0216716	SCREW-SM (QTY AR)			

Expanded Model and Color Nomenclature

M1 - PTC093A25CB	P1225201R
M2 - PTC093A35CB	P1225202R
M3 - PTC123A00CB	P1225203R
M4 - PTC123A35CB	P1225204R
M5 - PTC123A50CB	P1225205R
M6 - PTC073A25CB	P1225209R
M7 - PTC073A35CB	P1225210R
M8 - PTC153A35CB	P1225211R
M9 - PTC153A00CB	P1225212R
M10 - PTC153A50CB	P1225213R
M11 - PTC074A35CB	P1225214R
M12 - PTC094A35CB	P1225215R
M13 - PTC124A35CB	P1225216R
M14 - PTC154A00CB	P1225217R
M15 - PTC154A35CB	P1225218R
M16 - PTC074A00CB	P1225231R
M17 - PTC094A00CB	P1225232R
M18 - PTC124A00CB	P1225265R
M19 - PTC123A25CB	P1225271R
M20 - PTC153A25CB	P1225267R

Control Panels

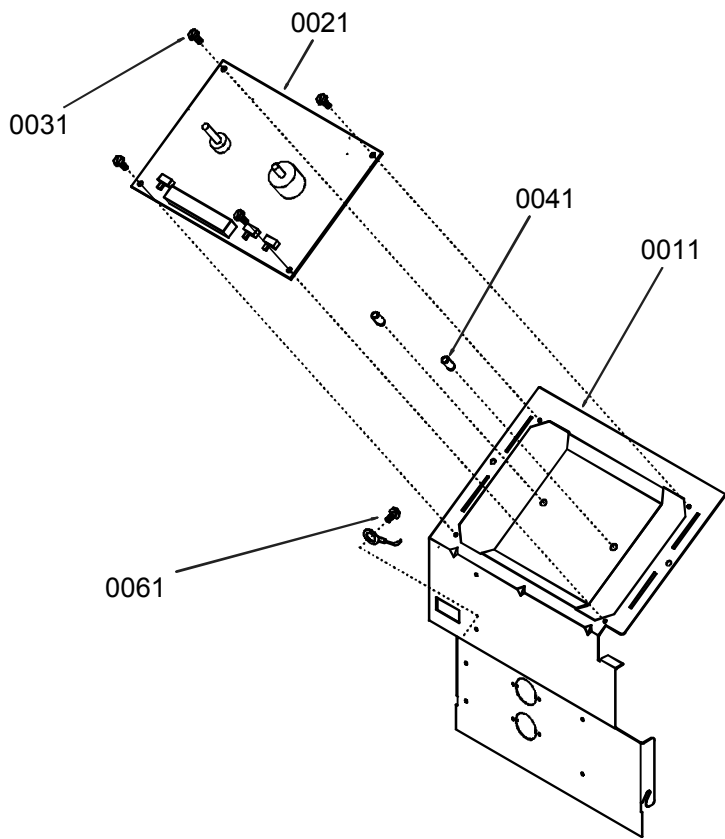
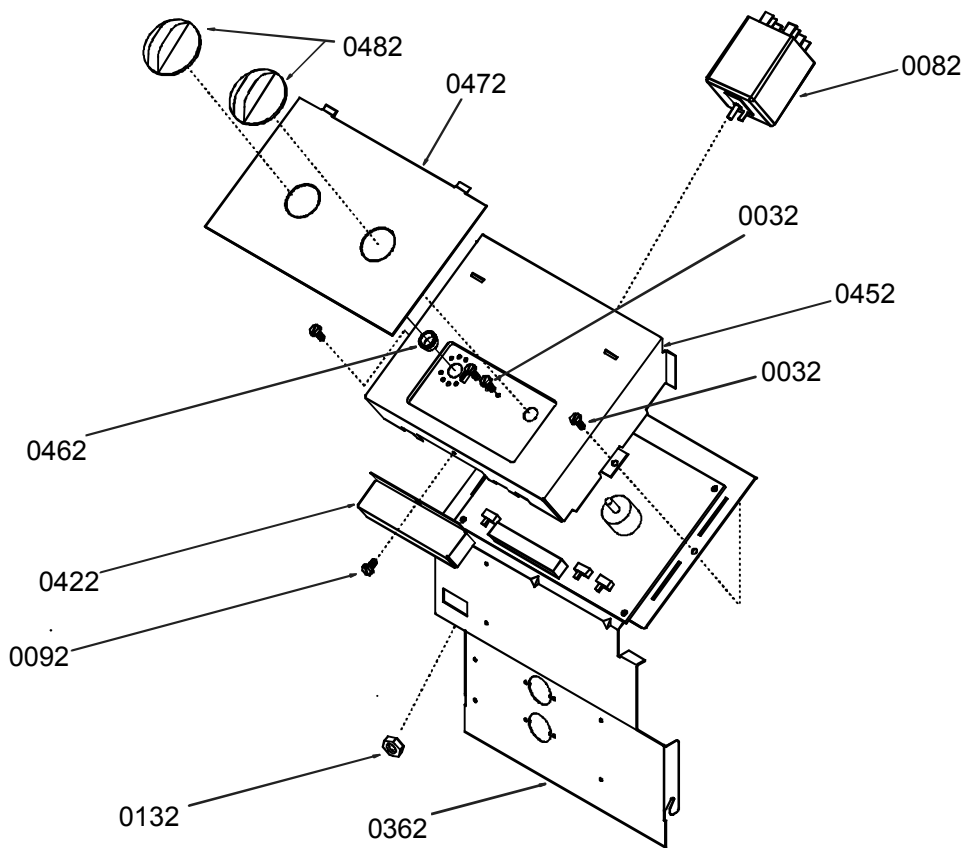


Image 1

Image 2



Control Panels

Ref. Part No:	Ref. Part No:	Description:	Description:
---------------	---------------	--------------	--------------

Image 1:

0011 11044501	PANEL-CONTROL (M1, M2, M3, M4, M5, M6, M7, M8, M9, M10, M11, M12, M13, M14, M15, M16, M17, M18)
0011 11044504	PANEL-CONTROL PTC (M19)
0011 11044505	PANEL-CONTROL PTC (M20)
0021 11043304	PC BOARD (M1, M2, M3, M4, M5, M6, M7, M8, M9, M10, M11, M12, M13, M14, M15, M16, M17, M18)
0021 11043305	PC BOARD (M19, M20)
0031 M0804204	FUSE-GLASS (M1, M2, M3, M4, M5, M6, M7, M8, M9, M10, M11, M12, M13, M14, M15, M16, M17, M18)
0041 M0590702	SUPPORT (QTY 2)
0061 M0227803	SCREW-TC

Image 2:

0032 M0216529	SCREW-SM (QTY AR)
0082 C8873917	RELAY (M5, M19)
0092 M0216716	SCREW-SM (QTY AR)
0132 M0282005	NUT-KEPS (M5)
0362 11121501	CONT PANEL ASSY (M1, M2, M3, M4, M6, M7, M8, M9, M10, M11, M12, M13, M14, M15, M16, M17, M18, M19, M20)
0362 11191301	CONT PANEL ASSY (M5)
0422 11045601	COVER-TERM BLOCK
0452 11044401	COVER-CONTROL PANEL
0462 M0117902	CLIP-TUBULAR
0472 20005701	PLATE-ESC
0482 11042902	KNOB-CONTROL (QTY 2)

Expanded Model and Color Nomenclature

M1 - PTC093A25CB	P1225201R
M2 - PTC093A35CB	P1225202R
M3 - PTC123A00CB	P1225203R
M4 - PTC123A35CB	P1225204R
M5 - PTC123A50CB	P1225205R
M6 - PTC073A25CB	P1225209R
M7 - PTC073A35CB	P1225210R
M8 - PTC153A35CB	P1225211R
M9 - PTC153A00CB	P1225212R
M10 - PTC153A50CB	P1225213R
M11 - PTC074A35CB	P1225214R
M12 - PTC094A35CB	P1225215R
M13 - PTC124A35CB	P1225216R
M14 - PTC154A00CB	P1225217R
M15 - PTC154A35CB	P1225218R
M16 - PTC074A00CB	P1225231R
M17 - PTC094A00CB	P1225232R
M18 - PTC124A00CB	P1225265R
M19 - PTC123A25CB	P1225271R
M20 - PTC153A25CB	P1225267R