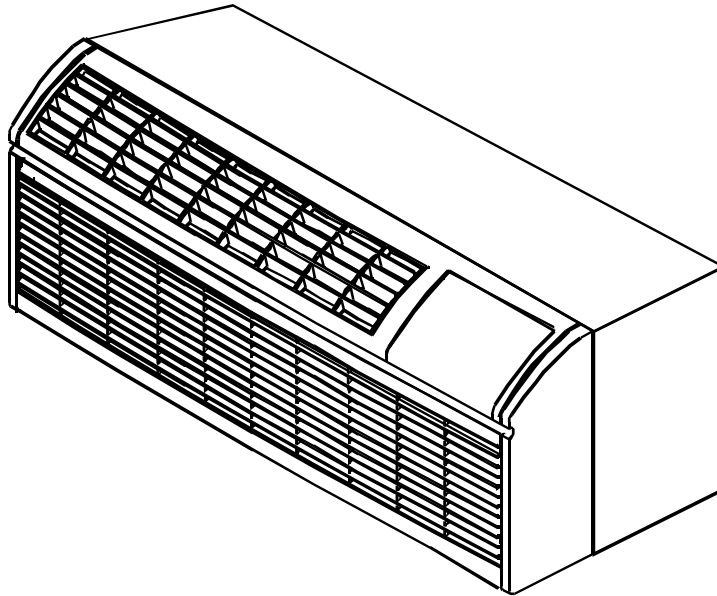


## Package Terminal Air Conditioner

PTH073A25CC	P1225251R
PTH073A35CC	P1225252R
PTH074A25CC	P1225255R
PTH074A35CC	P1225256R
PTH093A25CC	P1225238R
PTH093A35CC	P1225239R
PTH094A35CC	P1225257R
PTH123A25CC	P1225261R
PTH124A25CC	P1225260R
PTH124A35CC	P1225258R
PTH153A35CC	P1225253R
PTH153A50CC	P1225254R
PTH154A25CC	P1225262R
PTH154A35CC	P1225259R



RP4220022  
Revision 0  
June 2001

# Important Information

---

## Index

Functional Parts List .....	3
Illustration and Parts .....	4 - 17

*Views shown are for parts illustrations only, not servicing procedures*

### Text Codes:

AR - As Required

NA - Not Available

NS - Not Shown

00000000 - See Note

QTY - Quantity Example (QTY 3) (If Quantity not shown, Quantity = 1)

M - Model Example (M1) (If M Code not shown, then part is used on all Models)

### Expanded Model Nomenclature:

Example

M1 - Model#1

M2 - Model#2

M3 - Model#3

Goodman Company, L.P. is not responsible for personal injury or property damage resulting from improper service. Review all service information before beginning repairs.

Warranty service must be performed by an authorized technician, using authorized factory parts. If service is required after the warranty expires, Goodman Company, L.P. also recommends contacting an authorized technician and using authorized factory parts.

Goodman Company, L.P. reserves the right to discontinue, or change at any time, specifications or designs without notice or without incurring obligations. Goodman® brand products are made proudly in the USA.

For assistance within the U.S.A. contact:

Consumer Affairs Department

Goodman Company, L.P.

7401 Security Way

Houston, Texas 77040

877-254-4729-Telephone

713-863-2382-Facsimile

For assistance outside the U.S.A. contact:

International Division

Goodman Company, L.P.

7401 Security Way

Houston, Texas 77040

713-861-2500-Telephone

713-863-2382-Facsimile

# Functional Parts

**Part  
No:**

**Description:**

Part No:	Description:		
		20295704	THERMISTOR
D6789051	CAPACITOR (M7)	11044101	WHEEL-BLOWER
D6789025	CAPACITOR-METAL (M12, M14)		
D6789049	CAPACITOR-POLY (M5, M6)		
D6789060	CAPACITOR-ROUND (M11, M13)		
D6789063	CAPACITOR-ROUND (M8, M9, M10)		
D6789054	CAPACITOR-ROUND (M1, M2, M3, M4)		
D6926116	COMP 2K21S3R236A-7A (M5, M6)		
D6926117	COMP-PN 2K21S3R276A (M12, M14)		
D6985807	COMP-PN 2P17S3R236A (M7)		
D6985810	COMP-PN 2P17S3R276A (M11, M13)		
D6887709	COMP-PN 2R10S3R236A (M3, M4)		
D6887710	COMP-PN 2R10S3R276A (M8, M9)		
D6887711	COMP-PN 2R13S3R236A (M1, M2)		
D6887712	COMP-PN 2R13S3R276A (M10)		
D9871922	COND ASSY-PNT (M3, M4, M8, M9)		
D9871920	COND ASSY-PNT (M5, M6, M7, M11, M12, M13, M14)		
D9871923	COND ASSY-PNT (M1, M2, M10)		
11114401	CORD-250V 15A (M1, M3, M7)		
11114501	CORD-250V 20A (M2, M4, M5)		
11114601	CORD-250V 30A (M6)		
11114701	CORD-277V-20A (M8, M9, M10, M11, M12, M13, M14)		
20284908	DRYER-FILTER (M1, M2, M10)		
20284910	DRYER-FILTER (M7, M11, M13)		
20284907	DRYER-FILTER (M3, M4, M8, M9)		
11165803	EVAP ASSY (M3, M4, M8, M9)		
11165703	EVAP ASSY (M1, M2, M10)		
11165603	EVAP ASSY (M5, M6, M7, M11, M12, M13, M14)		
RF000034	FILTER DRIER ASSEMBLY (M5, M6, M12, M14)		
A3410402	FUSE-15A (M8, M13, M14)		
A3410403	FUSE-20A (M9, M10, M11, M12)		
20252002	HTR 3 2.5KW ASSY (M1, M3, M7)		
20252003	HTR 3 3.5KW ASSY (M2, M4, M5)		
20252005	HTR 3 5.0KW ASSY (M6)		
20252007	HTR 4 2.5KW ASSY (M8, M13, M14)		
20252008	HTR 4 3.7KW ASSY (M9, M10, M11, M12)		
11114909	MOTOR-FAN (M5, M6, M7)		
11114908	MOTOR-FAN (M8, M9, M10)		
11114910	MOTOR-FAN (M11, M12, M13, M14)		
11114907	MOTOR-FAN (M1, M2, M3, M4)		
20295502	PC BOARD		
20329802	REV VLV WELD (M8, M9, M10, M11, M12, M13, M14)		
20329801	REV VLV WELD (M1, M2, M3, M4, M5, M6, M7)		
11045802	SCROLL-BLOWER		
20295702	THERMISTOR		
20295702	THERMISTOR		
20295701	THERMISTOR		

**SPECIAL PARTS**

11113306	MANUAL-OWNERS
RP4220022	PARTS MANUAL
RS4200003	SERVICE MANUAL

Expanded Model Nomenclature

M1 - PTH093A25CC	P1225238R
M2 - PTH093A35CC	P1225239R
M3 - PTH073A25CC	P1225251R
M4 - PTH073A35CC	P1225252R
M5 - PTH153A35CC	P1225253R
M6 - PTH153A50CC	P1225254R
M7 - PTH123A25CC	P1225261R
M8 - PTH074A25CC	P1225255R
M9 - PTH074A35CC	P1225256R
M10 - PTH094A35CC	P1225257R
M11 - PTH124A35CC	P1225258R
M12 - PTH154A35CC	P1225259R
M13 - PTH124A25CC	P1225260R
M14 - PTH154A25CC	P1225262R

# Front/Chassis

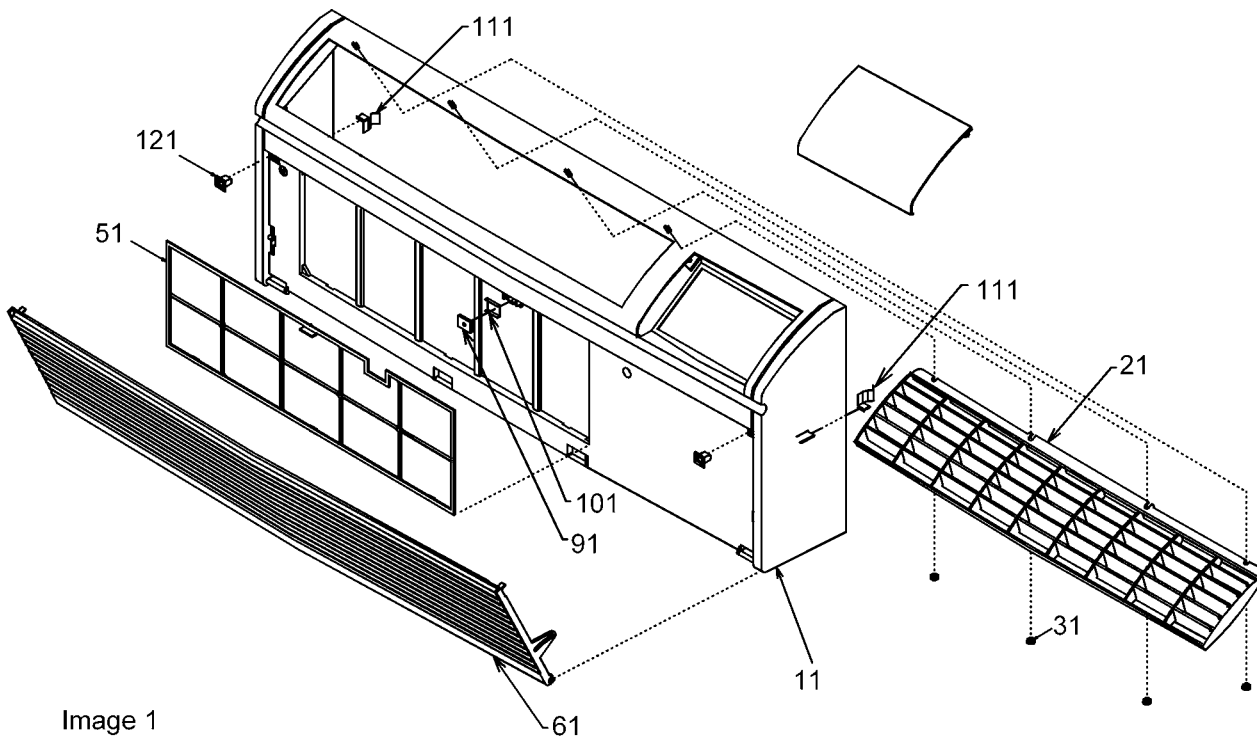
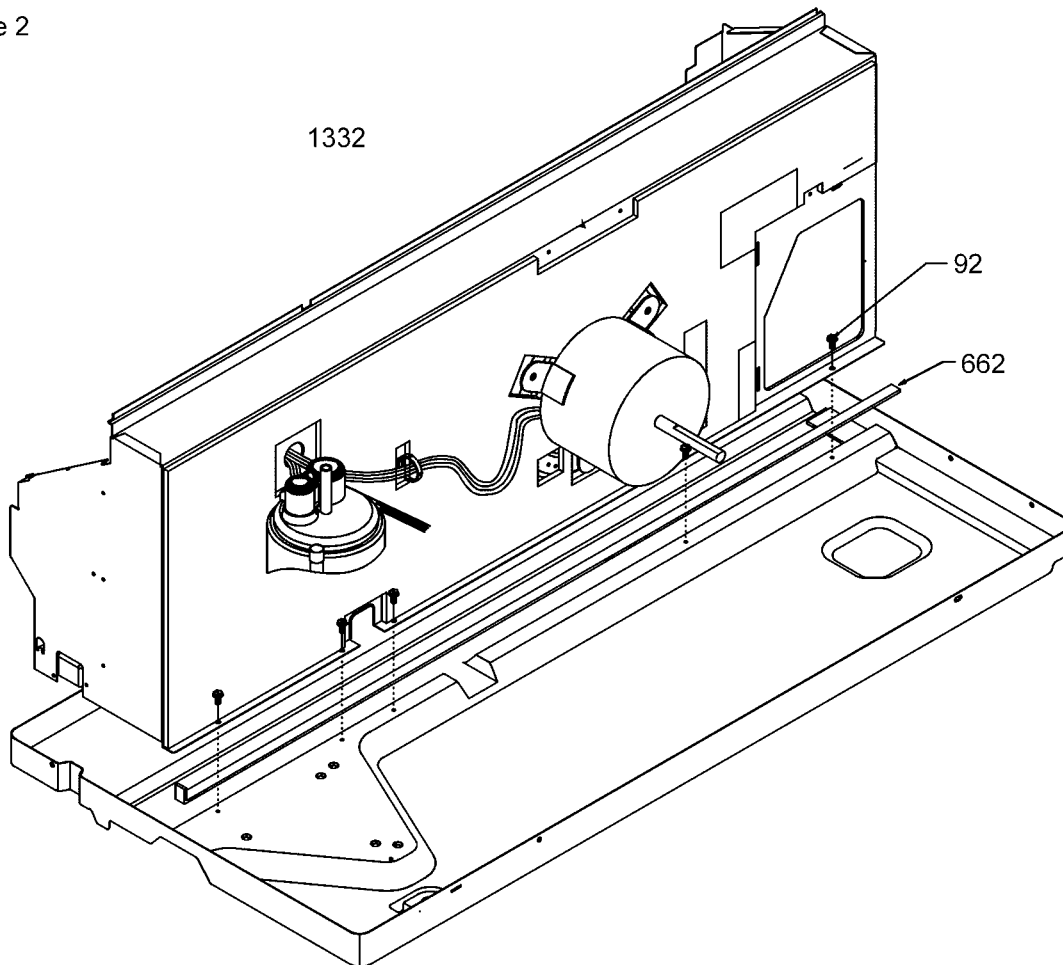


Image 1

Image 2



# Front/Chassis

Ref Part No:	Description:	Ref. Part No: No:	Description:
-----------------	--------------	----------------------	--------------

*Image 1:*

11	11042701	FRONT
21	11167401	GRILLE-DISCHARGE
31	M0293604	PALNUT (QTY 4)
51	11045201	FILTER
61	20282501	GRILLE ASSY
91	11047301	MAGNET
101	11047201	HOLDER-MAGNET
111	11045102	CLIP-SIDE (QTY 2)
121	10690002	DOOR CATCH ASSY (QTY 2)

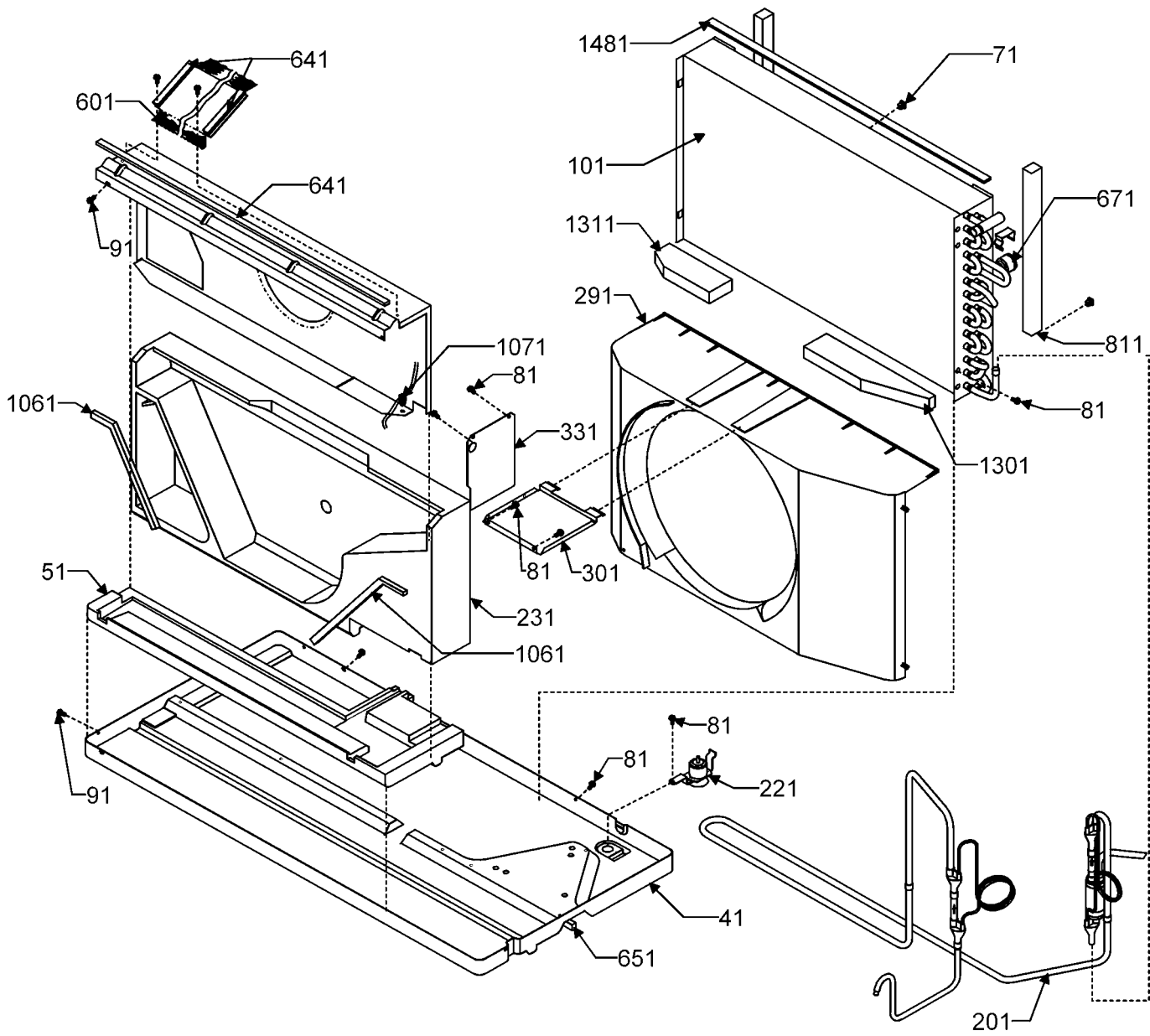
*Image 2:*

92	M0216716	SCREW-SM (QTY AR)
662	10839823	GASKET-.12X.50X41 (QTY AR)
1332	20208601	INSUL-PARTITION PNL

Expanded Model Nomenclature

M1 - PTH093A25CC	P1225238R
M2 - PTH093A35CC	P1225239R
M3 - PTH073A25CC	P1225251R
M4 - PTH073A35CC	P1225252R
M5 - PTH153A35CC	P1225253R
M6 - PTH153A50CC	P1225254R
M7 - PTH123A25CC	P1225261R
M8 - PTH074A25CC	P1225255R
M9 - PTH074A35CC	P1225256R
M10 - PTH094A35CC	P1225257R
M11 - PTH124A35CC	P1225258R
M12 - PTH154A35CC	P1225259R
M13 - PTH124A25CC	P1225260R
M14 - PTH154A25CC	P1225262R

# Chassis



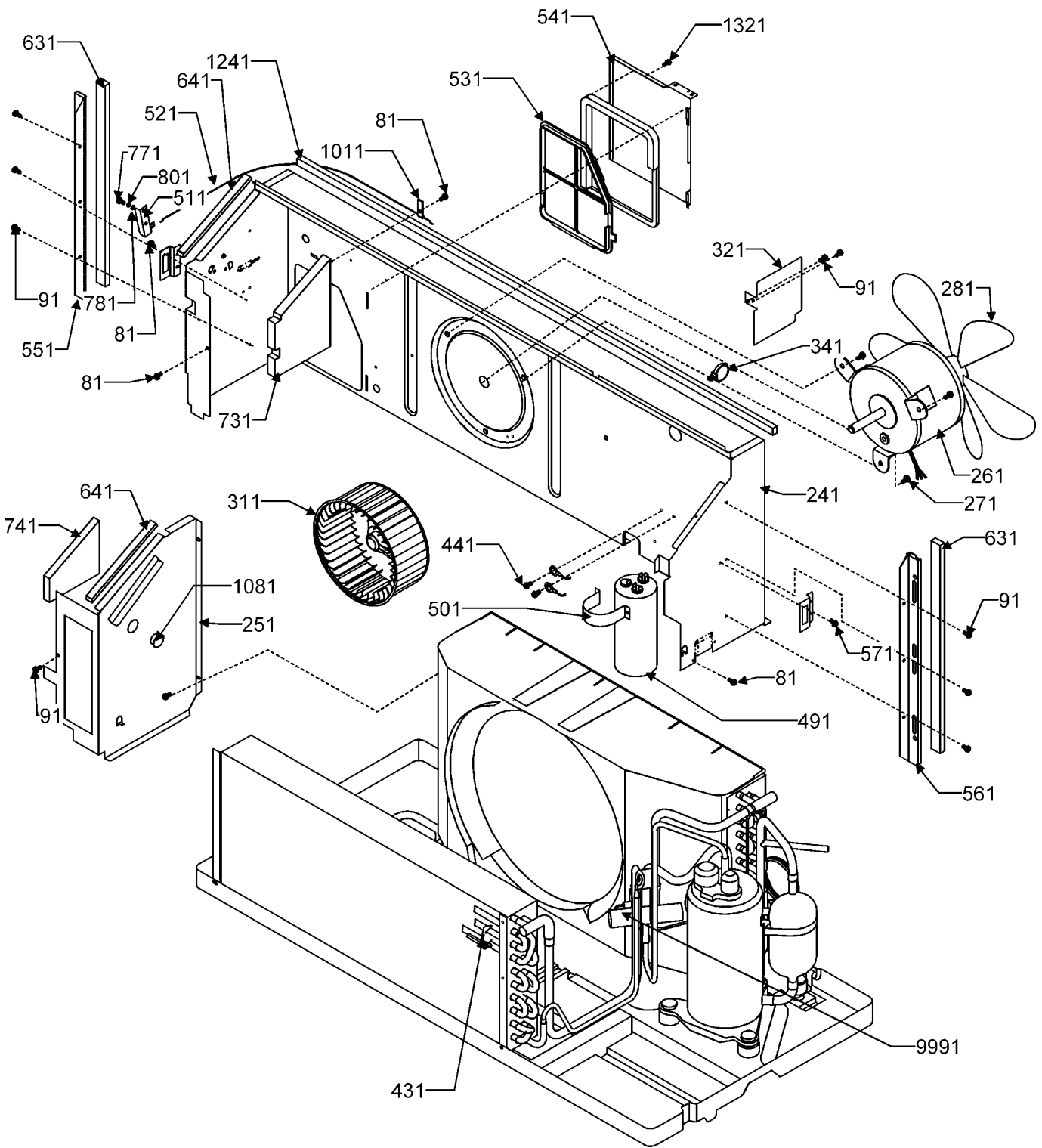
# Chassis

Ref. Part No:	Description:	Ref. Part No:	Description:
<i>Image 1:</i>			
41	11042511		BASEPAN-PNT
51	11044702		PAD-EVAP
71	A3315701		GROMMET (QTY 4)
81	M0211216		SCREW-SM (M1, M2, M3, M4, M5, M6, M7, M8, M9, M10, M11, M13)
91	M0216716		SCREW-SM (M1, M2, M3, M4, M5, M6, M7)
101	D9871920		COND ASSY-PNT (M5, M6, M7, M11, M12, M13, M14)
101	D9871922		COND ASSY-PNT (M3, M4, M8, M9)
101	D9871923		COND ASSY-PNT (M1, M2, M10)
201	RF000034		FILTER DRIER ASSEMBLY (M5, M6, M12, M14)
221	11043402		VALVE-DRAIN PAN
231	11045802		SCROLL-BLOWER
291	11167301		SHROUD-COND
301	11044202		TIE BRACE-PNT
331	11046502		BAFFLE-PNT TOP
601	11123904		SCREEN-PNT DISCH
641	10839705		GASKET .50X.25 (QTY AR)
651	10839808		GASKET-.37X.50 (QTY AR)
671	20295704		THERMISTOR
811	10839712		GASKET .62X.75 (QTY AR)
1061	10839706		GASKET .50X.50 (QTY AR)
1071	M0120801		CLIP-GUIDE
1481	10839822		GASKET-24.25X.50 (QTY AR)

## Expanded Model Nomenclature

M1 - PTH093A25CC	P1225238R
M2 - PTH093A35CC	P1225239R
M3 - PTH073A25CC	P1225251R
M4 - PTH073A35CC	P1225252R
M5 - PTH153A35CC	P1225253R
M6 - PTH153A50CC	P1225254R
M7 - PTH123A25CC	P1225261R
M8 - PTH074A25CC	P1225255R
M9 - PTH074A35CC	P1225256R
M10 - PTH094A35CC	P1225257R
M11 - PTH124A35CC	P1225258R
M12 - PTH154A35CC	P1225259R
M13 - PTH124A25CC	P1225260R
M14 - PTH154A25CC	P1225262R

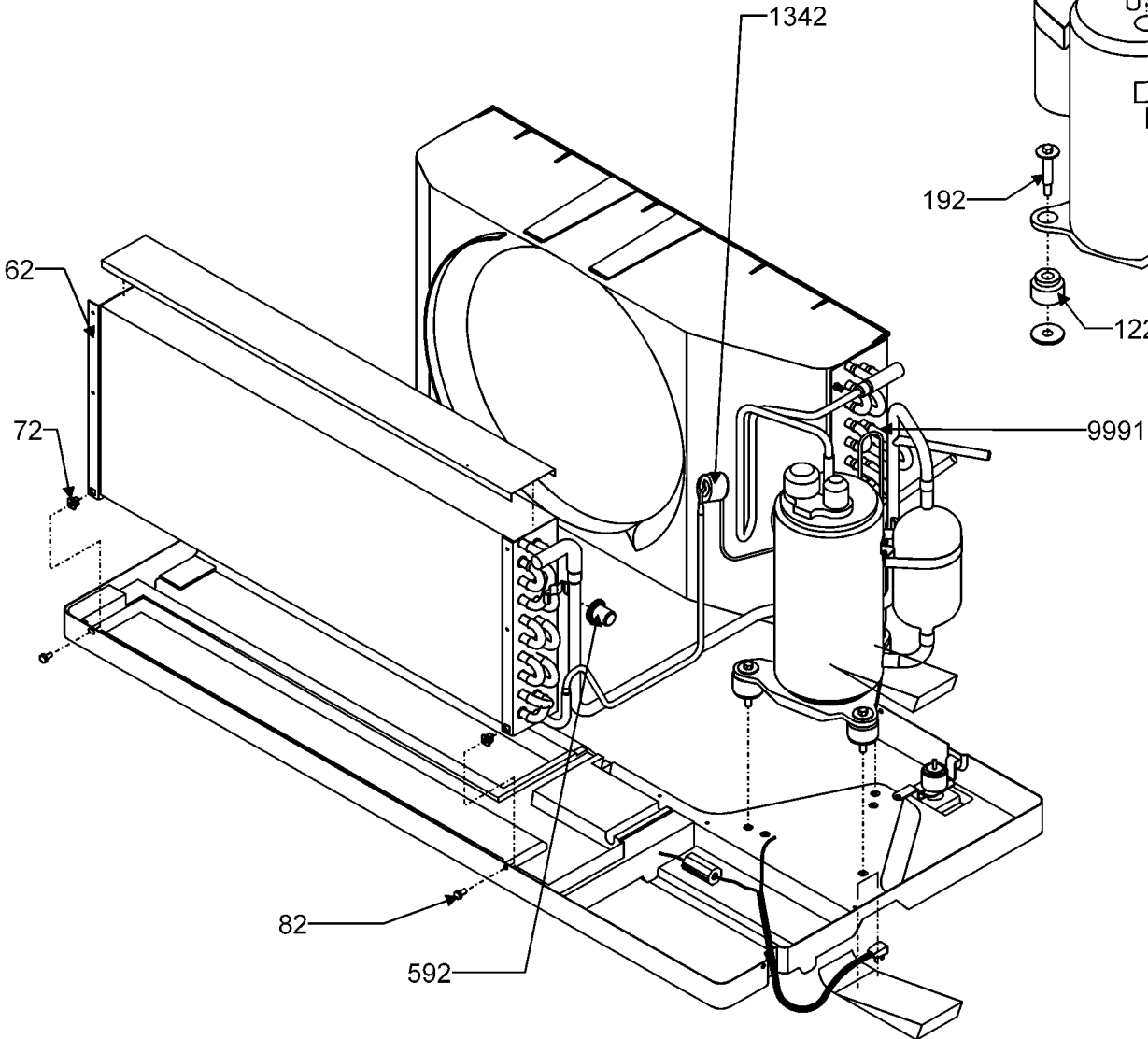
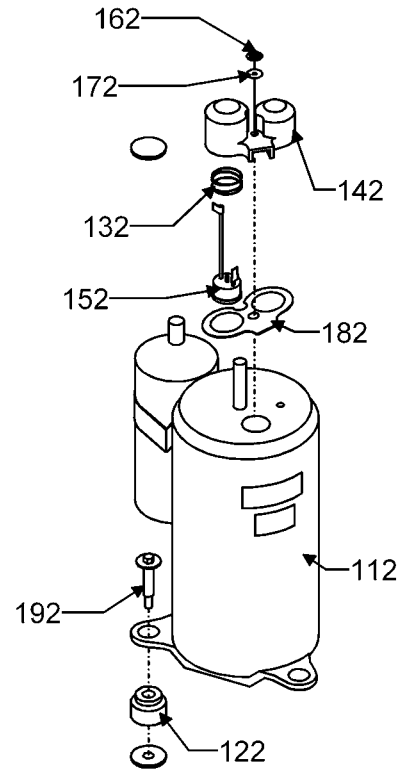
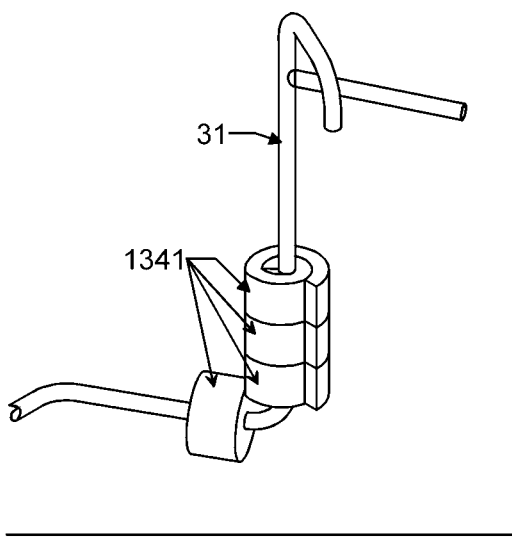
# Chassis



# Chassis

Ref Part No:	Description:	Ref. Part No:	Description:
<i>Image 1:</i>		9991 20329802	REV VLV WELD (M8, M9, M10, M11, M12, M13, M14)
81	M0211216	Expanded Model Nomenclature	
91	M0216716	M1 - PTH093A25CC	P1225238R
241	11045507	M2 - PTH093A35CC	P1225239R
251	11167504	M3 - PTH073A25CC	P1225251R
261	11114907	M4 - PTH073A35CC	P1225252R
261	11114908	M5 - PTH153A35CC	P1225253R
261	11114909	M6 - PTH153A50CC	P1225254R
261	11114910	M7 - PTH123A25CC	P1225261R
271	M0224956	M8 - PTH074A25CC	P1225255R
281	20046501	M9 - PTH074A35CC	P1225256R
311	11044101	M10 - PTH094A35CC	P1225257R
321	20245402	M11 - PTH124A35CC	P1225258R
341	M0118702	M12 - PTH154A35CC	P1225259R
431	20075601	M13 - PTH124A25CC	P1225260R
441	M0227803	M14 - PTH154A25CC	P1225262R
491	D6789051		
491	D6789025		
491	D6789049		
491	D6789054		
491	D6789060		
491	D6789063		
501	C6300502		
501	C6300503		
511	11046302		
521	11115401		
531	11046201		
541	11046106		
551	11044902		
561	11044901		
571	11191702		
631	10839807		
641	10839705		
641	10839705		
731	11122901		
741	11123001		
771	M0220757		
781	M0273701		
801	M0270529		
1011	M0108103		
1081	A4554801		
1241	10839814		
1301	20189701		
1311	20189801		
1321	M0238833		
9991	20329801		

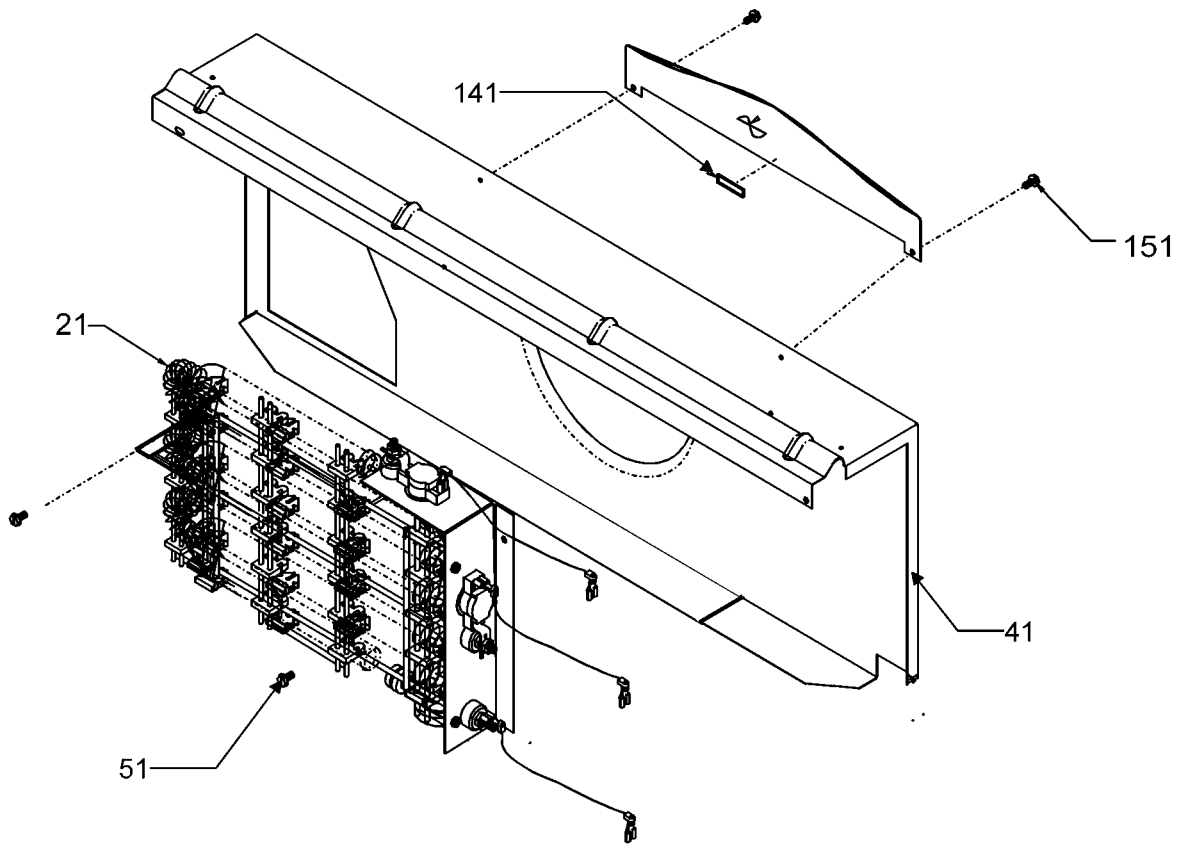
# Compressor/Tubing



# Compressor/Tubing

Ref Part No:	Description:	Ref. Part No:	Description:
<i>Image 1:</i>		Expanded Model Nomenclature	
31	20042003	TUBE-SUCTION (M3, M4)	M1 - PTH093A25CC P1225238R
31	20210802	TUBE-SUCTION (M5, M6, M7)	M2 - PTH093A35CC P1225239R
31	20042203	TUBE-SUCTION SRV (M1, M2)	M3 - PTH073A25CC P1225251R
1341	11154803	SEALER-RUBBER BASED	M4 - PTH073A35CC P1225252R
<i>Image 2:</i>		M5 - PTH153A35CC	P1225253R
62	11165603	EVAP ASSY (M5, M6, M7, M11, M12, M13, M14)	M6 - PTH153A50CC P1225254R
62	11165703	EVAP ASSY (M1, M2, M10)	M7 - PTH123A25CC P1225261R
62	11165803	EVAP ASSY (M3, M4, M8, M9)	M8 - PTH074A25CC P1225255R
72	A3315701	GROMMET (QTY 4)	M9 - PTH074A35CC P1225256R
82	M0211216	SCREW-SM (QTY 5)	M10 - PTH094A35CC P1225257R
112	D6926116	COMP 2K21S3R236A-7A (M5, M6)	M11 - PTH124A35CC P1225258R
112	D6926117	COMP-PN 2K21S3R276A (M12, M14)	M12 - PTH154A35CC P1225259R
112	D6985807	COMP-PN 2P17S3R236A (M7)	M13 - PTH124A25CC P1225260R
112	D6985810	COMP-PN 2P17S3R276A (M11, M13)	M14 - PTH154A25CC P1225262R
112	D6887709	COMP-PN 2R10S3R236A (M3, M4)	
112	D6887710	COMP-PN 2R10S3R276A (M8, M9)	
112	D6887711	COMP-PN 2R13S3R236A (M1, M2)	
112	D6887712	COMP-PN 2R13S3R276A (M10)	
122	A3448601	GROMMET (M5, M6, M7, M11, M12, M13, M14)	
122	A4622801	GROMMET (M1, M2, M3, M4, M8, M9, M10)	
132	A3436901	SPRING-OVERLOAD (M1, M2, M3, M4, M5, M6, M7)	
142	20120102	COVER-TERM	
152	D6961607	OVERLOAD (M5, M6)	
152	D6961612	OVERLOAD (M7)	
152	D6961636	OVERLOAD (M3, M4)	
152	D6961637	OVERLOAD (M8, M9)	
152	D6961639	OVERLOAD (M1, M2)	
152	D6961642	OVERLOAD (M10)	
152	D6961643	OVERLOAD (M11, M13)	
152	D6961657	OVERLOAD (M12, M14)	
162	A3436601	NUT-TERM COVER	
172	A3436801	GASKET-NUT	
182	A3436701	GASKET-TERM COVER	
592	20295702	THERMISTOR	
1342	11154803	SEALER-RUBBER BASED	
9992	20295704	THERMISTOR	

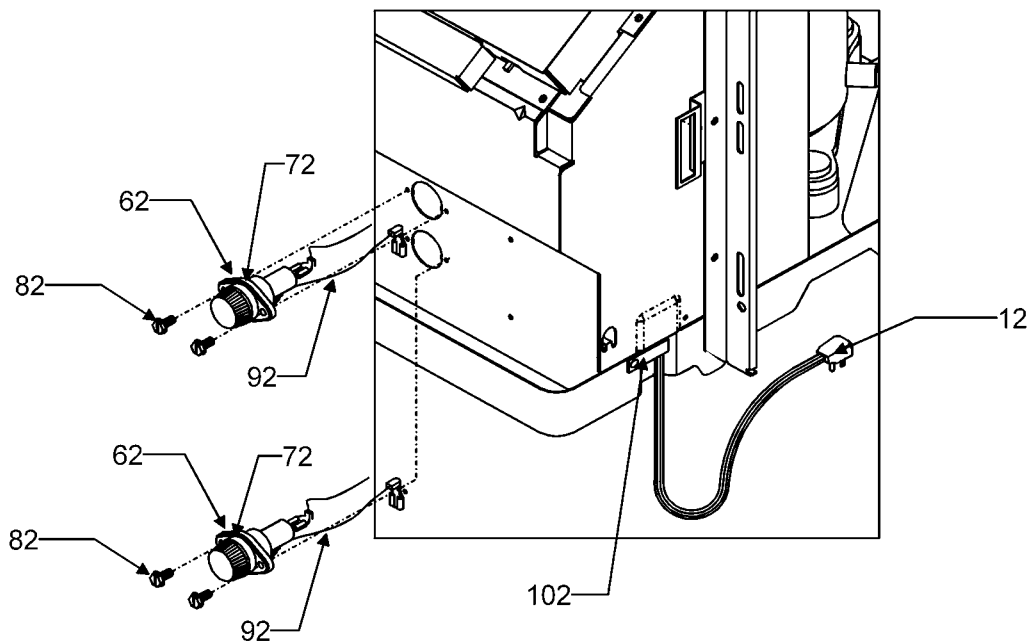
# Heater



2 STAGE HEAT

Image 1

Image 2



# Heater

Ref Part No:	Description:	Ref. Part No:	Description:
--------------	--------------	---------------	--------------

*Image 1:*

21	20252002	HTR 3 2.5KW ASSY (M1, M3, M7)
21	20252003	HTR 3 3.5KW ASSY (M2, M4, M5)
21	20252005	HTR 3 5.0KW ASSY (M6)
21	20252007	HTR 4 2.5KW ASSY (M8, M13, M14)
21	20252008	HTR 4 3.7KW ASSY (M9, M10, M11, M12)
41	11044304	BLOWER-INT PNT
51	M0216716	SCREW-SM (QTY AR)
141	10839722	GASKET .25X.06 (QTY AR)
151	M0216716	SCREW-SM (QTY AR)

*Image 2:*

12	11114401	CORD-250V 15A (M1, M3, M7)
12	11114501	CORD-250V 20A (M2, M4, M5)
12	11114601	CORD-250V 30A (M6)
12	11114701	CORD-277V-20A (M8, M9, M10, M11, M12, M13, M14)
62	C6476001	HOLDER-BAYONET FUSE (M8, M13, M14)
62	C6476002	HOLDER-BAYONET FUSE (M9, M10, M11, M12)
72	A3410402	FUSE-15A (M8, M13, M14)
72	A3410403	FUSE-20A (M9, M10, M11, M12)
82	M0213817	SCREW-SM (QTY AR)
92	M0216716	SCREW-SM (QTY AR)
92	10618850	WIRE-JUMPER BK18 (M1, M2, M3, M4, M5, M6, M7)
102	M0103905	CLAMP-SPEED (M1, M3, M7)
102	M0103906	CLAMP-SPEED (M2, M4, M5, M6, M8, M9, M10, M11, M12, M13, M14)

Expanded Model Nomenclature

M1 - PTH093A25CC	P1225238R
M2 - PTH093A35CC	P1225239R
M3 - PTH073A25CC	P1225251R
M4 - PTH073A35CC	P1225252R
M5 - PTH153A35CC	P1225253R
M6 - PTH153A50CC	P1225254R
M7 - PTH123A25CC	P1225261R
M8 - PTH074A25CC	P1225255R
M9 - PTH074A35CC	P1225256R
M10 - PTH094A35CC	P1225257R
M11 - PTH124A35CC	P1225258R
M12 - PTH154A35CC	P1225259R
M13 - PTH124A25CC	P1225260R
M14 - PTH154A25CC	P1225262R

# Control Panel

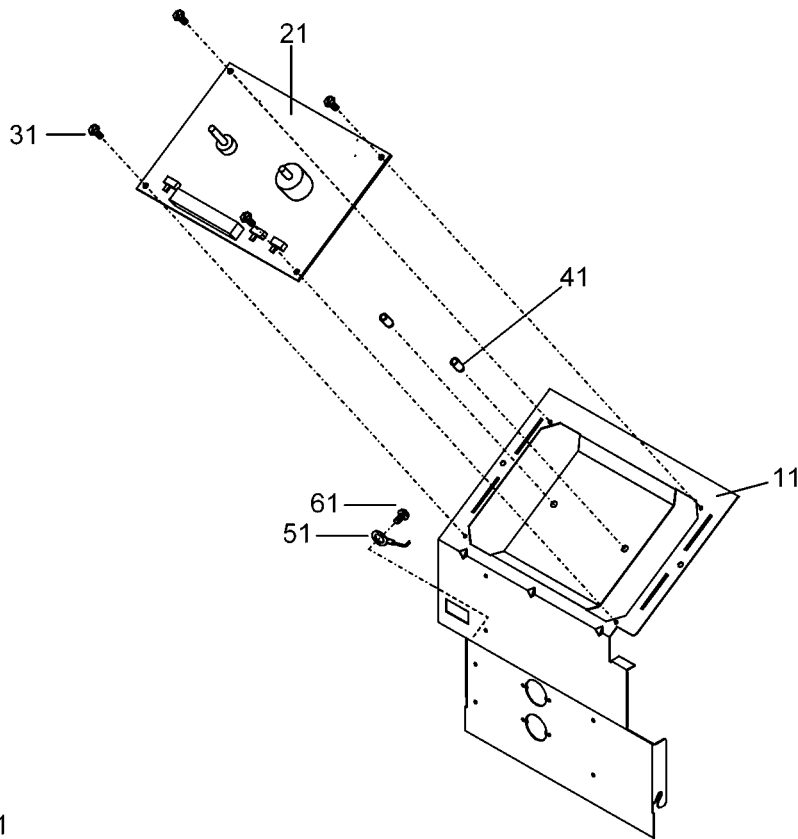
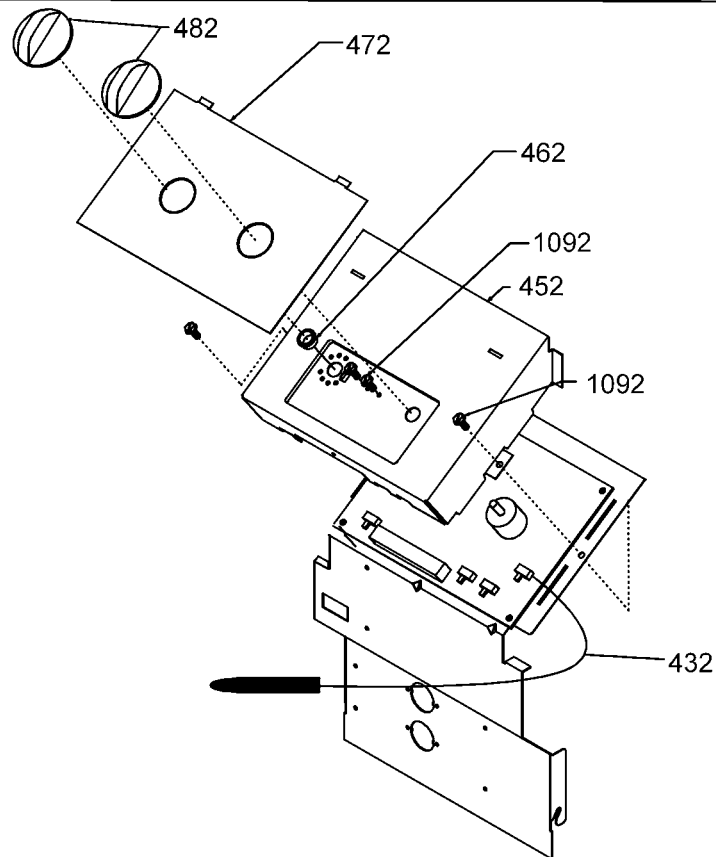


Image 1

Image 2



# Control Panel

Ref Part No:	Description:	Ref. Part No: No:	Description:
-----------------	--------------	----------------------	--------------

*Image 1:*

11	11044504	PANEL-CONTROL
21	20295502	PC BOARD
31	M0216529	SCREW-SM (QTY AR)
41	M0590702	SUPPORT (QTY 2)
51	10618849	WIRE-JUMPER GN1
61	M0227803	SCREW-TC (QTY AR)

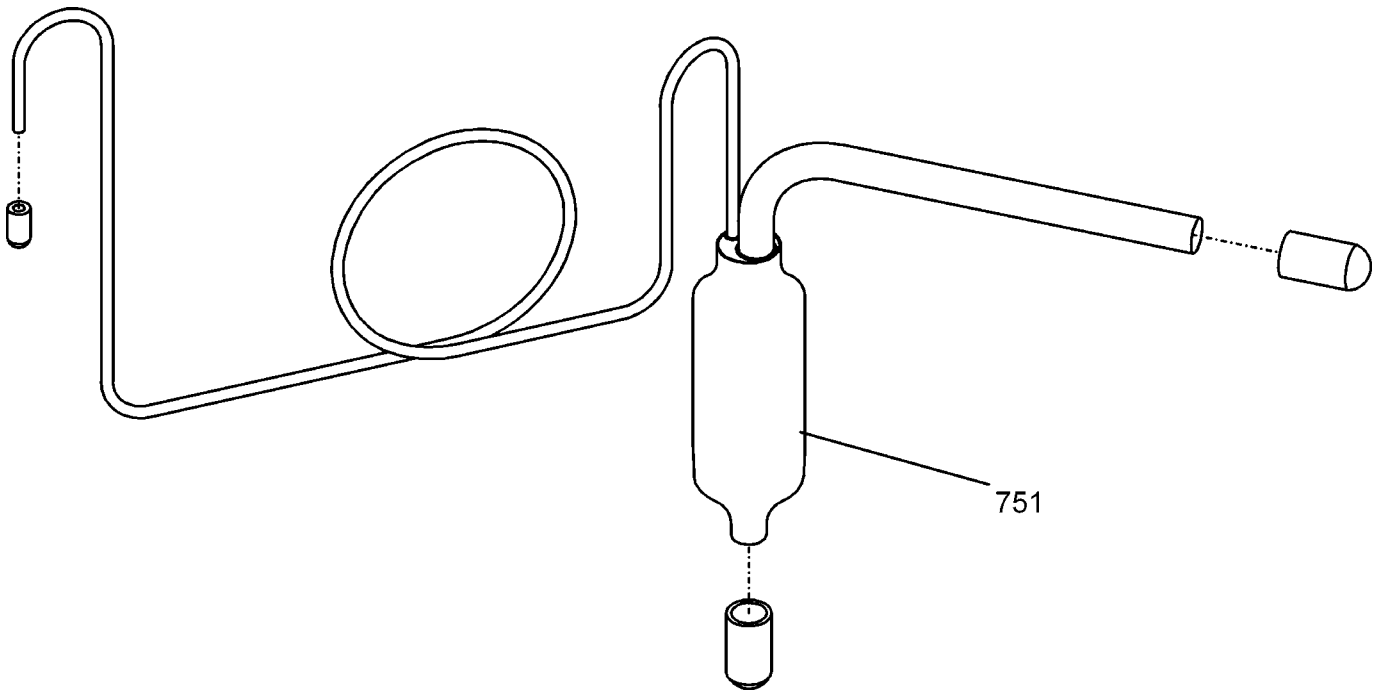
*Image 2:*

432	20295701	THERMISTOR
452	11044403	COVER-CONT PNL
462	M0117902	CLIP-TUBULAR
472	20005701	PLATE-ESC
482	11042902	KNOB-CONTROL (QTY 2)
1092	M0216529	SCREW-SM (QTY AR)

Expanded Model Nomenclature

M1 - PTH093A25CC	P1225238R
M2 - PTH093A35CC	P1225239R
M3 - PTH073A25CC	P1225251R
M4 - PTH073A35CC	P1225252R
M5 - PTH153A35CC	P1225253R
M6 - PTH153A50CC	P1225254R
M7 - PTH123A25CC	P1225261R
M8 - PTH074A25CC	P1225255R
M9 - PTH074A35CC	P1225256R
M10 - PTH094A35CC	P1225257R
M11 - PTH124A35CC	P1225258R
M12 - PTH154A35CC	P1225259R
M13 - PTH124A25CC	P1225260R
M14 - PTH154A25CC	P1225262R

# Filter-Drier



# Filter-Drier

Ref Part			Ref. Part	
No:	Description:		No: No:	Description:

---

Image 1:

751	20284907	DRYER-FILTER (M3, M4, M8, M9)
751	20284908	DRYER-FILTER (M1, M2, M10)
751	20284910	DRYER-FILTER (M7, M11, M13)

Expanded Model Nomenclature

M1 - PTH093A25CC	P1225238R
M2 - PTH093A35CC	P1225239R
M3 - PTH073A25CC	P1225251R
M4 - PTH073A35CC	P1225252R
M5 - PTH153A35CC	P1225253R
M6 - PTH153A50CC	P1225254R
M7 - PTH123A25CC	P1225261R
M8 - PTH074A25CC	P1225255R
M9 - PTH074A35CC	P1225256R
M10 - PTH094A35CC	P1225257R
M11 - PTH124A35CC	P1225258R
M12 - PTH154A35CC	P1225259R
M13 - PTH124A25CC	P1225260R
M14 - PTH154A25CC	P1225262R