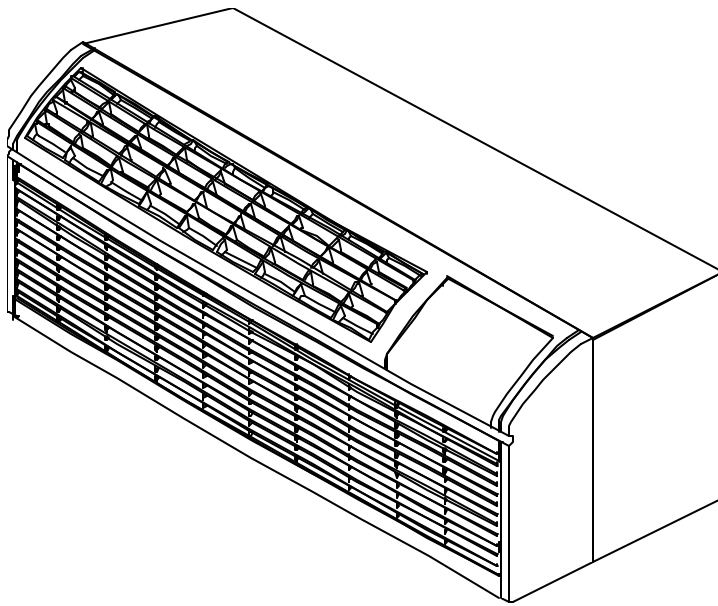


# Parts

## Package Terminal Air Conditioner

Models and manufacturing  
numbers in this manual

PTC073A00CC	P1225277R
PTC074A00CC	P1225263R
PTC074A35CC	P1225246R
PTC094A00CC	P1225264R
PTC094A35CC	P1225247R
PTC124A35CC	P1225248R
PTC154A00CC	P1225249R
PTC154A35CC	P1225250R



This manual is to be used by qualified appliance technicians only. Amana does not assume any responsibility for property damage or personal injury for improper service procedures performed by an unqualified person.

**Amana**

RP42100021  
Revision 0  
April 2001

## **Important Information**

---

Amana is not responsible for personal injury or property damage resulting from improper service. Review all service information before beginning repairs.

Warranty service must be performed by an authorized technician, using authorized factory parts. If service is required after the warranty expires, Amana also recommends contacting an authorized technician and using authorized factory parts. Locate an authorized technician by calling 800-NATLSVC (800-628-5782).

For assistance within the U.S.A. contact:

Consumer Affairs Department  
Amana Heating and Air Conditioning  
1810 Wilson Parkway  
Fayetteville, TN 37334  
877-254-4729-Telephone  
931-438-2922-Facsimile

For assistance outside the U.S.A. contact:

International Division  
Amana Heating and Air Conditioning  
1810 Wilson Parkway  
Fayetteville, TN 37334  
931-438-3632-Telephone  
931-438-2922-Facsimile

# Index

Functional Parts List .....	5
Illustration and Parts .....	6 - 19

*Views shown are for parts illustrations only, not servicing procedures.*

## Text Codes:

AR - As Required

NA - Not Available

NS - Not Shown

00000000 - See Note

QTY - Quantity Example (QTY 3) (If Quantity not shown, Quantity = 1)

M - Model Example (M1) (If M Code not shown, then part is used on all Models)

## Expanded Model and Color Nomenclature:

Example	
M1 - Model#1	P _____
M2 - Model#2	P _____
M3 - Model#3	P _____



# Functional Parts

## Part

## No: Description:

---

D6789025	CAPACITOR-METAL (M4, M5)
D6789054	CAPACITOR-ROUND (M8)
D6789060	CAPACITOR-ROUND (M3)
D6789063	CAPACITOR-ROUND (M1, M2, M6, M7)
D6926117	COMP-PN 2K21S3R276A (M4, M5)
D6985810	COMP-PN 2P17S3R276A (M3)
D6887709	COMP-PN 2R10S3R236A (M8)
D6887710	COMP-PN 2R10S3R276A (M1, M6)
D6887712	COMP-PN 2R13S3R276A (M2, M7)
11114401	CORD-250V 15A (M8)
11114701	CORD-277V-20A (M1, M2, M3, M4, M5, M6, M7)
11165703	EVAP ASSY (M2, M7)
11165603	EVAP ASSY (M3, M4, M5)
11165603	EVAP ASSY (M3, M4, M5)
11165803	EVAP ASSY (M1, M6, M8)
11165703	EVAP ASSY (M2, M7)
11165803	EVAP ASSY (M1, M6, M8)
20284906	FILTER DRIER (M4, M5)
20284901	FILTER DRIER (M1, M6, M8)
20284902	FILTER DRIER (M2, M7)
20284904	FILTER DRIER (M3)
11115501	HEATER MODULE (M8)
11115508	HEATER MODULE (M4, M6, M7)
20253522	HEATER MODULE (M1, M2, M3, M5)
11114910	MOTOR-FAN (M3, M4, M5)
11114907	MOTOR-FAN (M8)
11114908	MOTOR-FAN (M1, M2, M6, M7)
11044504	PANEL-CONTROL
20295502	PC BOARD
20295701	THERMISTOR
11044101	WHEEL-BLOWER

## SPECIAL PARTS

11113303	MANUAL-OWNERS
RP4210021	PARTS MANUAL
RP4210021	PARTS MANUAL
RS4200003	SERVICE MANUAL
RS4210003	SERVICE MANUAL

## Expanded Model and Color Nomenclature

M1 - PTC074A35CC	P1225246R
M2 - PTC094A35CC	P1225247R
M3 - PTC124A35CC	P1225248R
M4 - PTC154A00CC	P1225249R
M5 - PTC154A35CC	P1225250R
M6 - PTC074A00CC	P1225263R
M7 - PTC094A00CC	P1225264R
M8 - PTC073A00CC	P1225277R

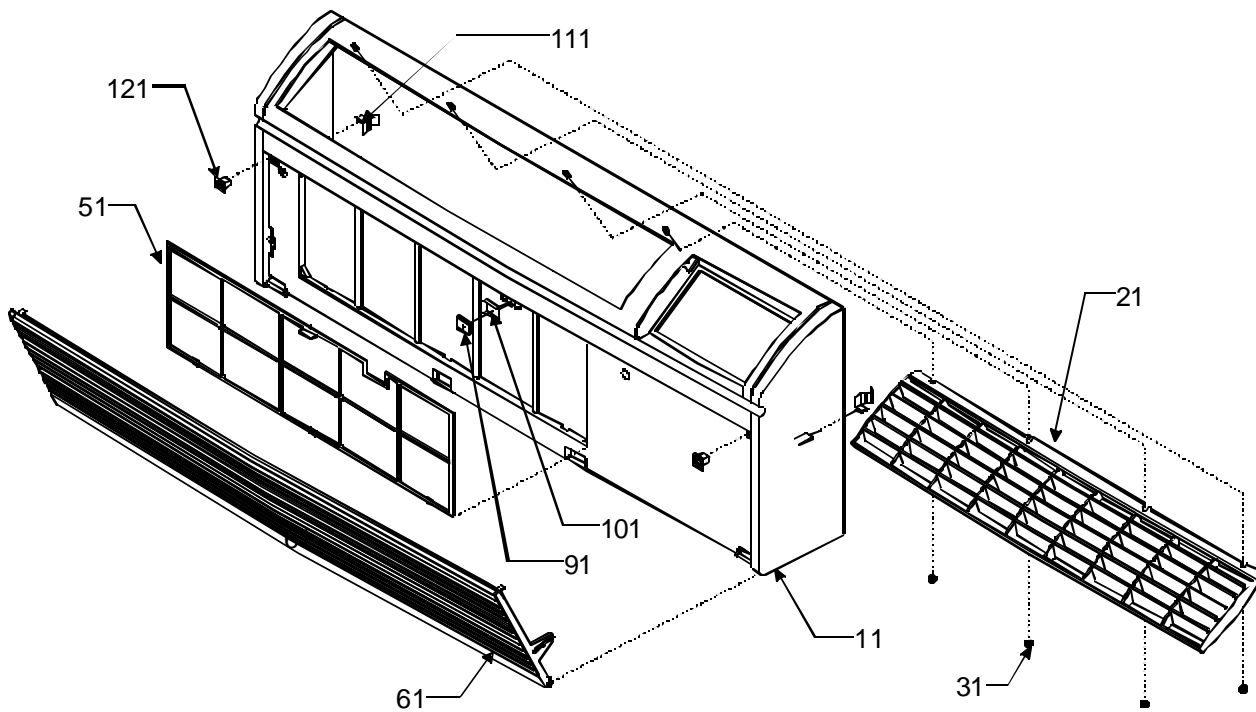
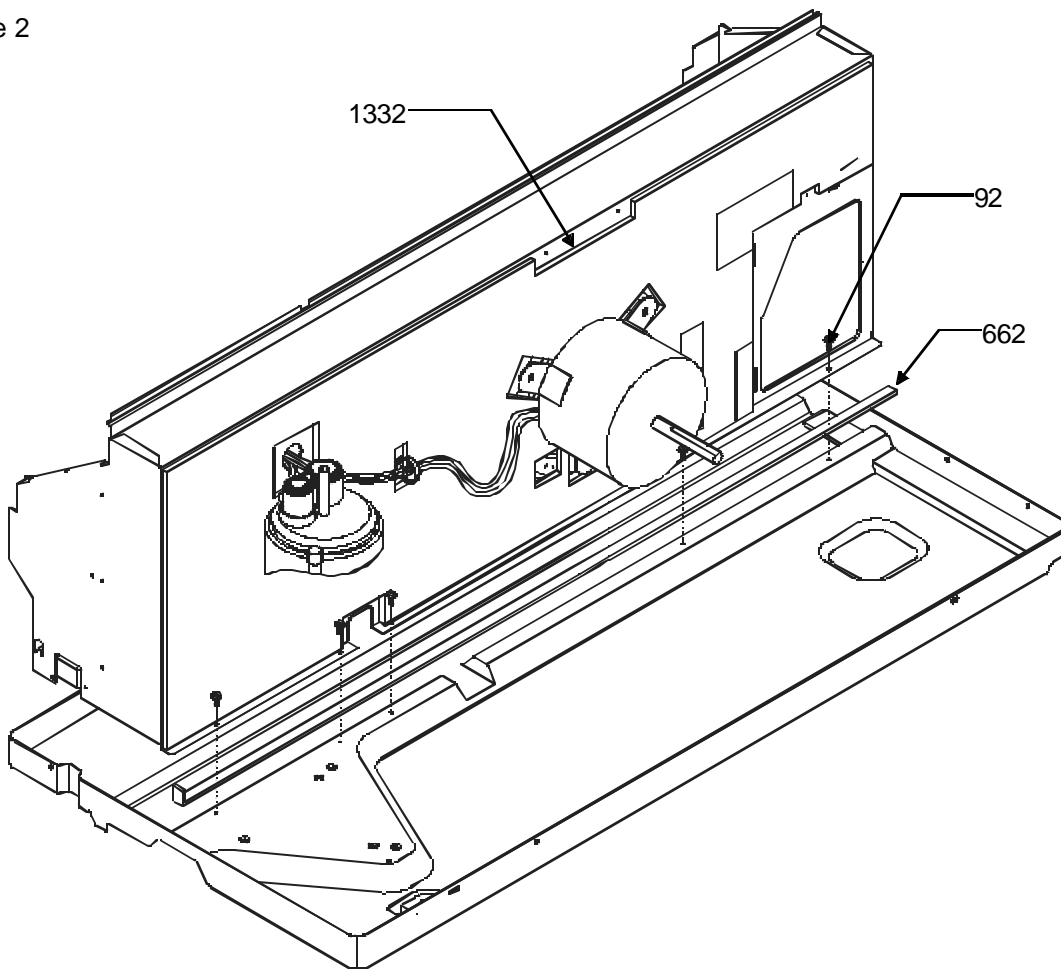


Image 1

Image 2



Ref. Part No:	Part No:	Description:	Ref. Part No:	Part No:	Description:
---------------	----------	--------------	---------------	----------	--------------

*Image 1:*

11	11042701A	FRONT
21	11167401	GRILLE-DISCHARGE
31	M0293604	PALNUT (QTY 4)
51	11045201	FILTER
61	20282501	GRILLE ASSY
91	11047301	MAGNET
101	11047201	HOLDER-MAGNET
111	11045102	CLIP-SIDE (QTY 2)
121	10690002	DOOR CATCH ASSY (QTY 2)

*Image 2:*

92	M0216716	SCREW-SM (QTY 24)
662	10839823	GASKET 41.00X.50
1332	20208601	INSUL-PARTITION PNL

Expanded Model and Color Nomenclature

M1 - PTC074A35CC	P1225246R
M2 - PTC094A35CC	P1225247R
M3 - PTC124A35CC	P1225248R
M4 - PTC154A00CC	P1225249R
M5 - PTC154A35CC	P1225250R
M6 - PTC074A00CC	P1225263R
M7 - PTC094A00CC	P1225264R
M8 - PTC073A00CC	P1225277R



# Chassis

Ref. Part No:	Part No:	Description:	Ref. Part No:	Part No:	Description:
---------------	----------	--------------	---------------	----------	--------------

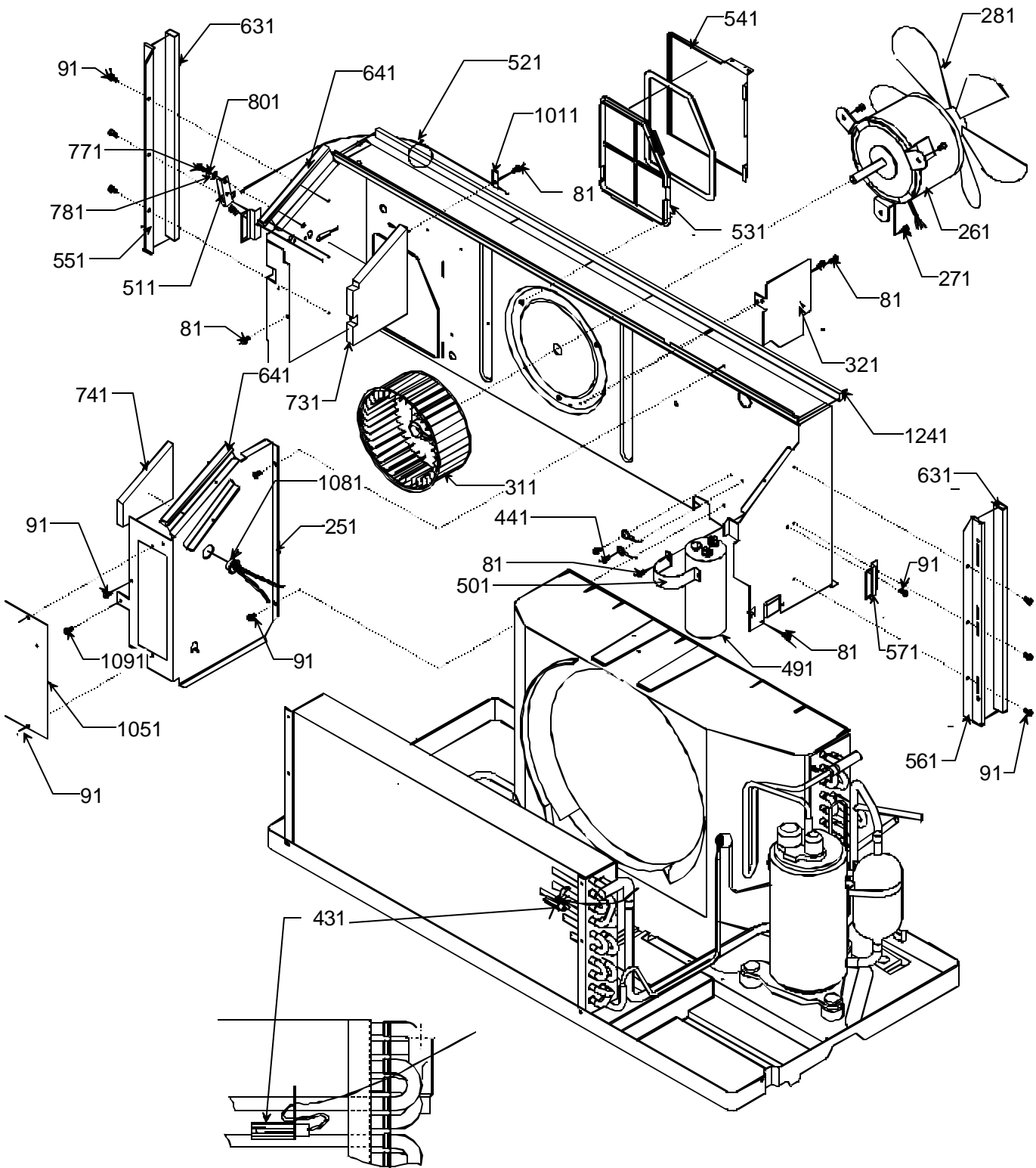
Image 1:

51	11044702	PAD-EVAPORATOR
71	A3315701	GROMMET (QTY 4)
71	A3315701	GROMMET (QTY 4)
81	M0211216	SCREW-SM (QTY AR)
91	M0216716	SCREW-SM (QTY AR)
101	D9871922	COND ASSY-PNT
101	D9871923	COND ASSY-PNT
221	A3080003	PLUG-BUTTON
231	11045802	SCROLL-BLOWER
291	11167301	SHROUD-CONDENSER
301	11044202	TIE BRACE-PNT
331	11046502	TOP BAFF-PNT
611	M0204517	SCREW-SM STL ZINC (QTY 2)
641	10839705	GASKET .500 X .250 (QTY AR)
651	10839808	GASKET-CROSS LINK (QTY AR)
811	10839712	GASKET .625 X .750 (QTY AR)
1061	10839706	GASKET .500 X .500 (QTY AR)
1071	M0120801	CLIP-GUIDE
1301	20189701	INSUL-COND RH
1311	20189801	INSUL-COND LH
1481	10839822	GASKET 24.25X.50

## Expanded Model and Color Nomenclature

M1 - PTC074A35CC	P1225246R
M2 - PTC094A35CC	P1225247R
M3 - PTC124A35CC	P1225248R
M4 - PTC154A00CC	P1225249R
M5 - PTC154A35CC	P1225250R
M6 - PTC074A00CC	P1225263R
M7 - PTC094A00CC	P1225264R
M8 - PTC073A00CC	P1225277R

# Chassis



# Chassis

**Ref. Part  
No: No:**

**Description:**

**Ref. Part  
No: No:**

**Description:**

*Image 1:*

81	M0211206	SCREW-SM (QTY AR)
91	M0216716	SCREW-SM (QTY AR)
241	11045509	PARTITION PANEL-PNT
251	11167504	PANEL-MID PART
261	11114907	MOTOR-FAN (M8)
261	11114908	MOTOR-FAN (M1, M2, M6, M7)
261	11114910	MOTOR-FAN (M3, M4, M5)
271	M0224956	SCREW-TAP R (QTY 3)
281	20046501	FAN-PL. COND.
301	11044202	TIE BRACE-PNT
311	11044101	WHEEL-BLOWER
321	20245402	COND INLET BAFF-PNT
331	11046502	TOP BAFF-PNT
431	20075601	CLIP-T'STAT (QTY 2)
441	M0227803	SCREW-TC (QTY 2)
491	D6789025	CAPACITOR-METAL (M4, M5)
491	D6789054	CAPACITOR-ROUND (M8)
491	D6789060	CAPACITOR-ROUND (M3)
491	D6789063	CAPACITOR-ROUND (M1, M2, M6, M7)
501	C6300502	STRAP-CAPACITOR CO (M1, M2, M3, M6, M7, M8)
501	C6300503	STRAP-CAPACITOR CO (M4, M5)
511	11046302	LEVER ARM
521	11115401	CABLE
531	11046201	FILTER-VENT
541	11046106	VENT DOOR-PNT
551	11044902	SEAL-L SIDE
561	11044901	SEAL-R SIDE
571	11191702	BRKT-PART PAN (QTY 2)
601	11123904	DISCH-SCREEN-PNT
631	10839807	GASKET-CROSS LINK (QTY 31)
641	10839705	GASKET .500 X .250 (QTY 55)
731	11122901	INSUL-LEFT
741	11123001	INSUL-RIGHT
771	M0220757	SCREW-SHLDR
781	M0273701	WASHER-SPRING
801	M0270529	WASHER-FLAT
1011	M0108103	CLAMP-TUBE
1051	11167602	COVER-ACCESS
1081	A4554801	BUSHING-SNAP
1091	M0216529	SCREW-SM (QTY 4)
1241	10839814	GASKET-CROSS LINK (QTY 40)
1321	M0238833	SCREW-SHLDR

*Image 2:*

342	M0118702	CLIP-GUIDE
-----	----------	------------

## Expanded Model and Color Nomenclature

M1 - PTC074A35CC	P1225246R
M2 - PTC094A35CC	P1225247R
M3 - PTC124A35CC	P1225248R
M4 - PTC154A00CC	P1225249R
M5 - PTC154A35CC	P1225250R
M6 - PTC074A00CC	P1225263R
M7 - PTC094A00CC	P1225264R
M8 - PTC073A00CC	P1225277R

# Compressor/Tubing

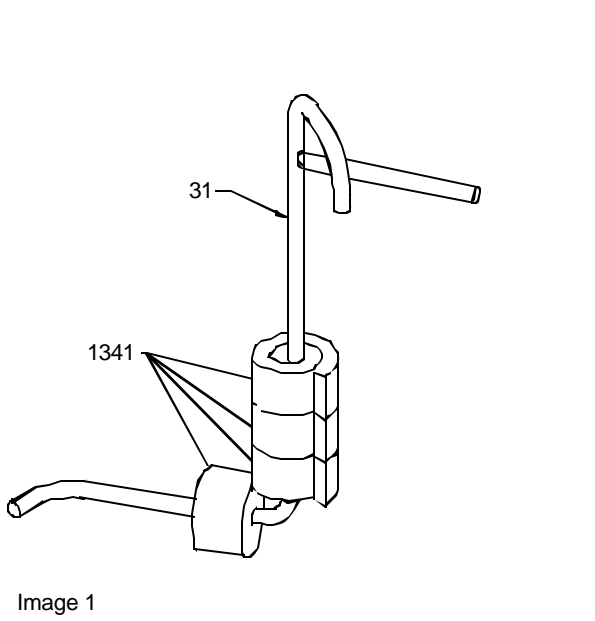
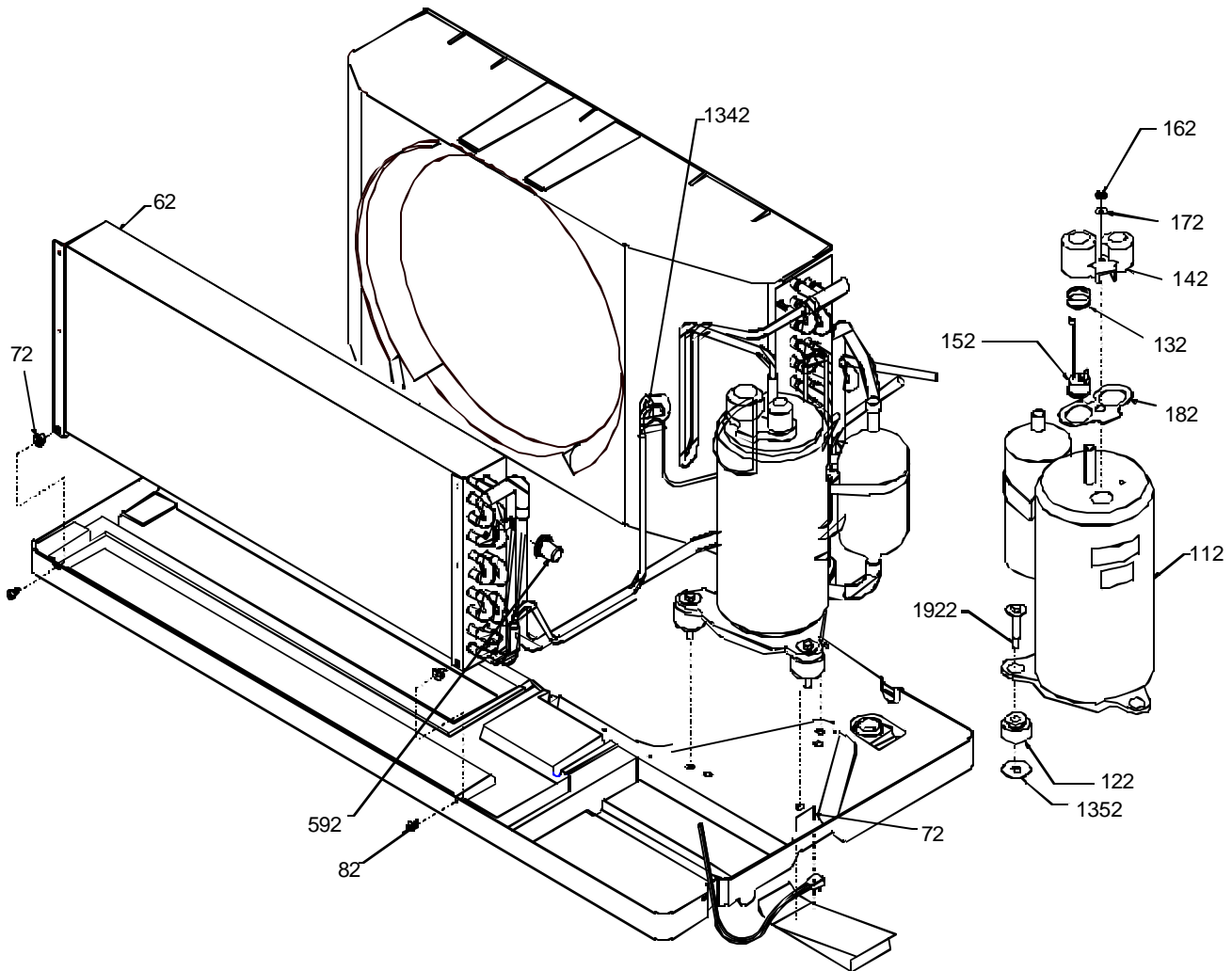


Image 2



# Compressor/Tubing

Ref. Part No:	Part No:	Description:	Ref. Part No:	Part No:	Description:
---------------	----------	--------------	---------------	----------	--------------

*Image 1:*

31	11144601	TUBE-SUCTION (M3, M4, M5)
31	11194101	TUBE-SUCTION (M1, M6, M8)
31	11194301	TUBE-SUCTION (M2, M7)
1341	11154803	SEALER-RUBBER BASED (M1, M2, M6, M7, M8)
1341	11154803	SEALER-RUBBER BASED (M3, M4, M5)

*Image 2:*

62	11165603	EVAP ASSY (M3, M4, M5)
62	11165703	EVAP ASSY (M2, M7)
62	11165803	EVAP ASSY (M1, M6, M8)
82	M0211206	SCREW-SM (QTY AR)
92	M0216716	SCREW-SM (QTY AR)
102	D9871922	COND ASSY-PNT (M1, M6, M8)
102	D9871923	COND ASSY-PNT (M2, M3, M4, M5, M7)
112	D6926117	COMP-PN 2K21S3R276A (M4, M5)
112	D6985810	COMP-PN 2P17S3R276A (M3)
112	D6887709	COMP-PN 2R10S3R236A (M8)
112	D6887710	COMP-PN 2R10S3R276A (M1, M6)
112	D6887712	COMP-PN 2R13S3R276A (M2, M7)
122	A3448601	GROMMET (M3, M4, M5)
122	A4622801	GROMMET (M1, M2, M6, M7, M8)
132	A3436901	SPRING-OVERLOAD
142	20120101	CAP-COMP TERM COVER
152	D6961636	OVERLOAD (M8)
152	D6961637	OVERLOAD (M1, M6)
152	D6961642	OVERLOAD (M2, M7)
152	D6961643	OVERLOAD (M3)
152	D6961657	OVERLOAD (M4, M5)
162	A3436601	NUT-TERM COVER
172	A3436801	GASKET-NUT
182	A3436701	GASKET-TERM COVER
192	M0253610	SCREW-SHLDR (M3)
192	M0253610	SCREW-SHLDR (M4, M5)
192	M0253661	SCREW-SHLDR (M1, M2, M6, M7, M8)

Expanded Model and Color Nomenclature

M1 - PTC074A35CC	P1225246R
M2 - PTC094A35CC	P1225247R
M3 - PTC124A35CC	P1225248R
M4 - PTC154A00CC	P1225249R
M5 - PTC154A35CC	P1225250R
M6 - PTC074A00CC	P1225263R
M7 - PTC094A00CC	P1225264R
M8 - PTC073A00CC	P1225277R

# Heater

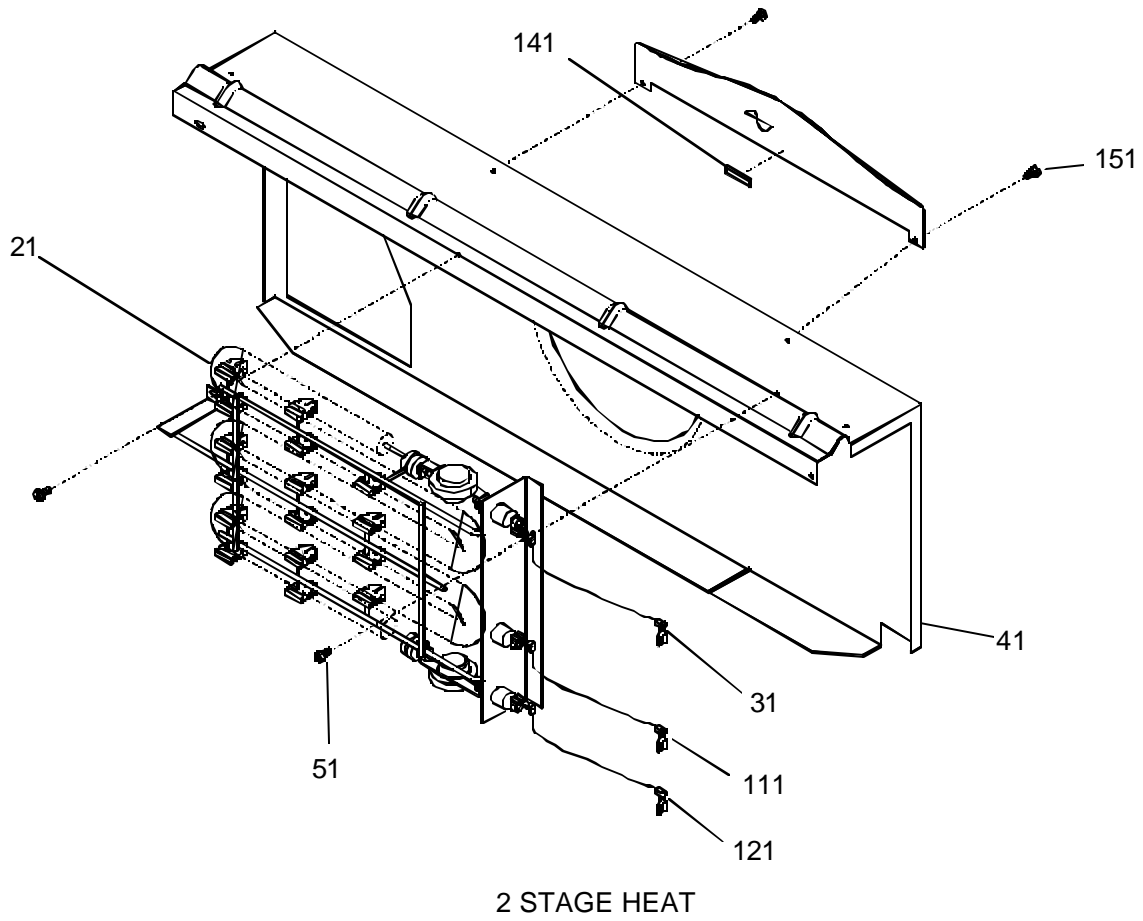
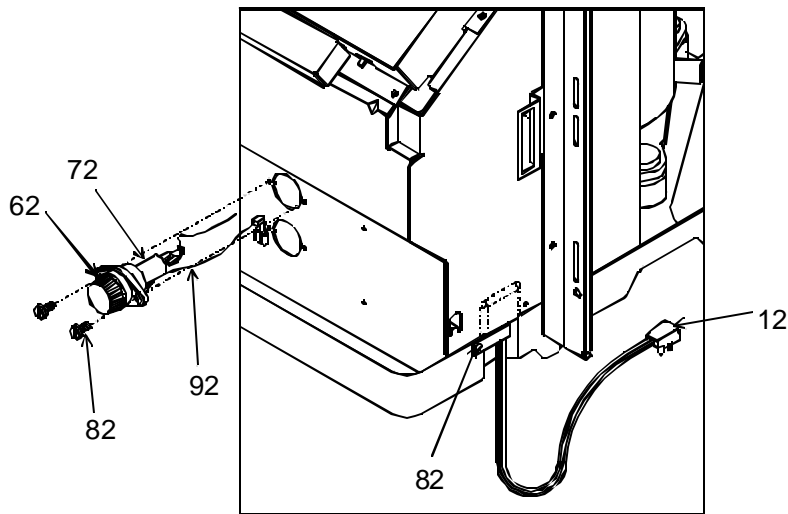


Image 1

Image 2



# Heater

Ref. Part No:	Part No:	Description:	Ref. Part No:	Part No:	Description:
---------------	----------	--------------	---------------	----------	--------------

*Image 1:*

21	20252008	HTR 4 3.7KW ASSY (M1, M2, M3, M5)
31	20260805	WIRE-JUMPER BR34 (M1, M2, M3, M5)
41	11044304	BLWR INTK-PNT PTAC01 (M1, M2, M3, M5)
41	11044304	BLWR INTK-PNT PTAC01 (M4, M6, M7, M8)
51	M0216716	SCREW-SM (QTY 2)
81	M0213817	SCREW-SM (M4, M6, M7)
101	M0103905	CLAMP-SPEED (M8)
101	M0103906	CLAMP-SPEED (M1, M2, M3, M4, M5, M6, M7)
141	10839722	GASKET .250 X .062
151	M0216716	SCREW-SM (QTY 2)

*Image 2:*

12	11114401	CORD-250V 15A (M8)
12	11114701	CORD-277V-20A (M1, M2, M3, M4, M5, M6, M7)
62	C6476001	HOLDER-BAYONET FUSE (M4, M6, M7)
62	C6476002	HOLDER-BAYONET FUSE (M1, M2, M3, M5)
72	A3410402	FUSE-15A (M4, M6, M7)
72	A3410403	FUSE-20A (M1, M2, M3, M5)
82	M0213817	SCREW-SM (M1, M2, M3, M5)
92	10618850	WIRE-JUMPER BK18 (M1, M2, M3, M4, M5, M6, M7)

### Expanded Model and Color Nomenclature

M1 - PTC074A35CC	P1225246R
M2 - PTC094A35CC	P1225247R
M3 - PTC124A35CC	P1225248R
M4 - PTC154A00CC	P1225249R
M5 - PTC154A35CC	P1225250R
M6 - PTC074A00CC	P1225263R
M7 - PTC094A00CC	P1225264R
M8 - PTC073A00CC	P1225277R

# Control Panel

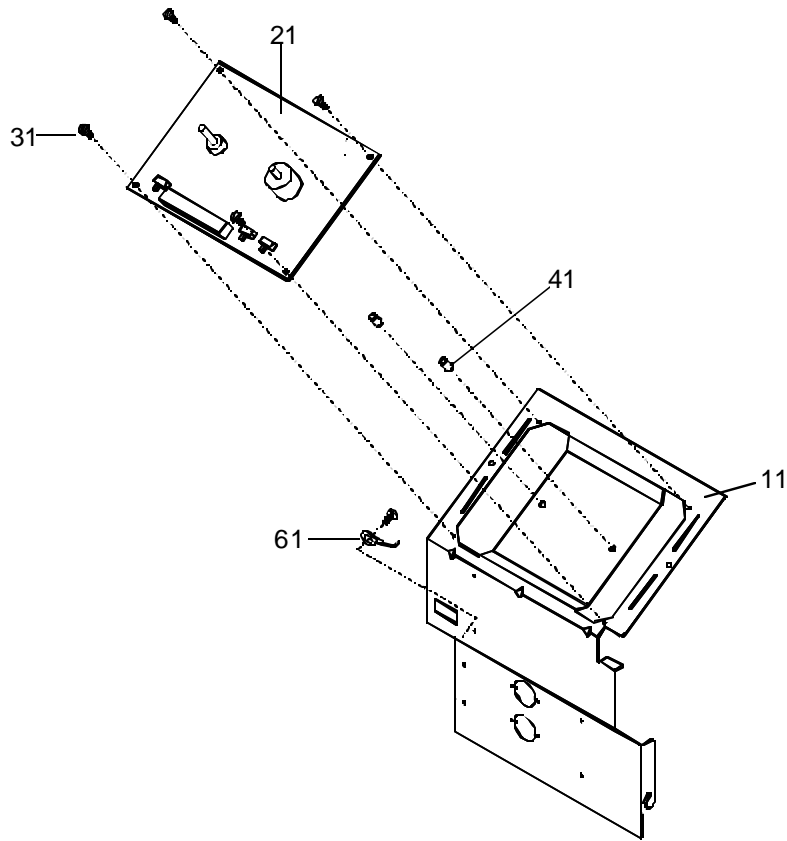
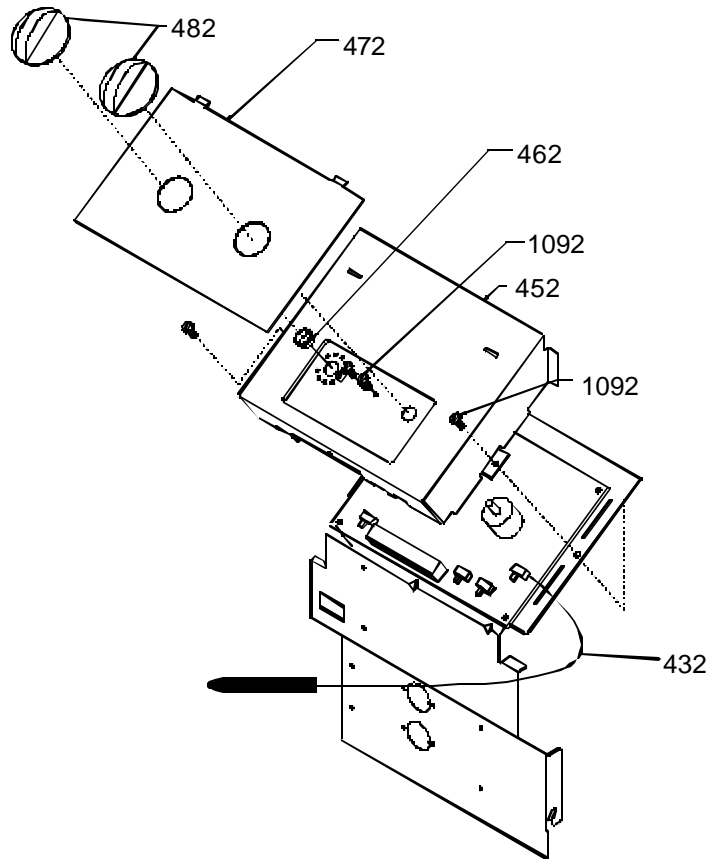


Image 1

Image 2



# Control Panel

Ref. Part No:	Ref. Part No:	Description:	Description:
---------------	---------------	--------------	--------------

Image 1:

11	11044504	PANEL-CONTROL
21	20295502	PC BOARD
31	M0216529	SCREW-SM (QTY 4)
41	M0590702	SUPPORT (QTY 2)
51	10618849	WIRE-JUMPER GN1
61	M0227803	SCREW-TC

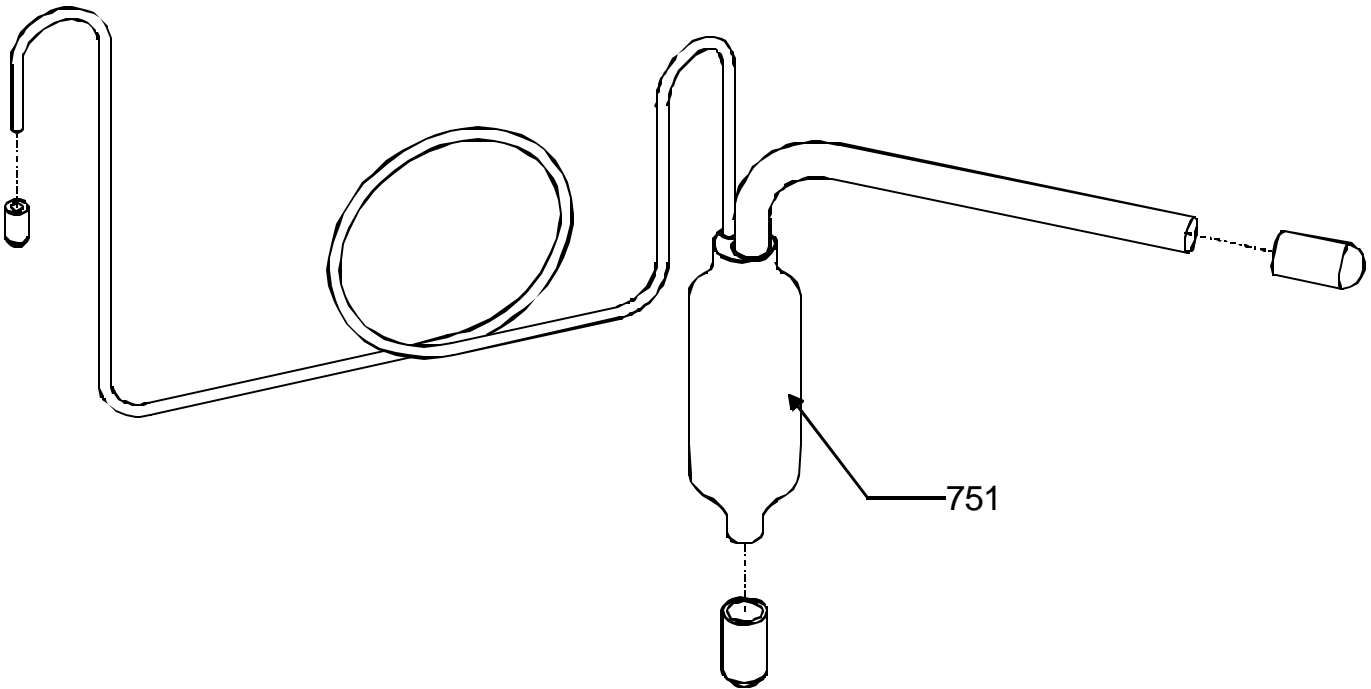
Image 2:

362	11121505	CONT PANEL ASSY
432	20295701	THERMISTOR
452	11044403	COVER-CONT PANEL
462	M0117902	CLIP-TUBULAR
472	20005701	PLATE-ESC
482	11042902	KNOB-CONTROL (QTY 2)
1092	M0216529	SCREW-SM (QTY AR)

## Expanded Model and Color Nomenclature

M1 - PTC074A35CC	P1225246R
M2 - PTC094A35CC	P1225247R
M3 - PTC124A35CC	P1225248R
M4 - PTC154A00CC	P1225249R
M5 - PTC154A35CC	P1225250R
M6 - PTC074A00CC	P1225263R
M7 - PTC094A00CC	P1225264R
M8 - PTC073A00CC	P1225277R

# Capillary Tubing



# Capillary Tubing

**Ref. Part**

**No: No:**

**Description:**

**Ref. Part**

**No: No:**

**Description:**

---

*Image 1:*

751	20284901	FILTER DRIER (M1, M6, M8)
751	20284902	FILTER DRIER (M2, M7)
751	20284904	FILTER DRIER (M3)
751	20284906	FILTER DRIER (M4, M5)

## Expanded Model and Color Nomenclature

M1 - PTC074A35CC	P1225246R
M2 - PTC094A35CC	P1225247R
M3 - PTC124A35CC	P1225248R
M4 - PTC154A00CC	P1225249R
M5 - PTC154A35CC	P1225250R
M6 - PTC074A00CC	P1225263R
M7 - PTC094A00CC	P1225264R
M8 - PTC073A00CC	P1225277R