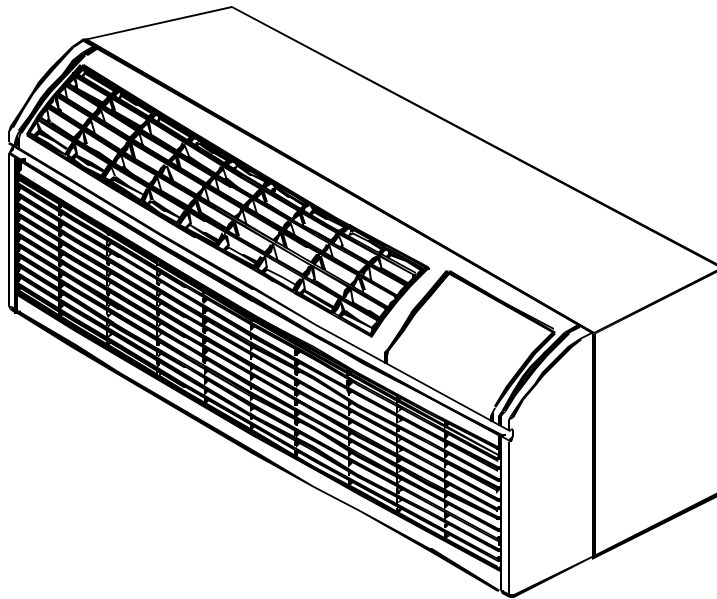


# Service Parts

## Package Terminal Air Conditioners (Sea Coast Protected Heat Pumps)

This manual replaces RP4220010 Rev. 3.

This manual is to be used by qualified appliance technicians only.



Models and manufacturing  
numbers in this manual

PTC153A25CB	P1225267R
PTC153A25CC	P1225268R
PTH073A25CB	P1225219R
PTH073A35CB	P1225220R
PTH074A25CB	P1225223R
PTH074A35CB	P1225224R
PTH093A25CB	P1225206R
PTH093A35CB	P1225207R
PTH094A35CB	P1225225R
PTH123A25CB	P1225229R
PTH123A35CB	P1225208R
PTH123A50CC	P1225287R
PTH124A25CB	P1225228R
PTH124A35CB	P1225226R
PTH153A25CB	P1225269R
PTH153A25CC	P1225270R
PTH153A25CC	P1225273R
PTH153A25CC	P1225284R
PTH153A35CB	P1225221R
PTH153A35CC	P1225274R
PTH153A35CC	P1225285R
PTH153A50CB	P1225222R
PTH153A50CC	P1225275R
PTH153A50CC	P1225286R
PTH154A25CB	P1225230R
PTH154A35CB	P1225227R



Amana is a trademark of Maytag Worldwide N.V. and used under license to Goodman Company, L.P. All rights reserved.

RP4220010  
Revision 4  
July 2003

Copyright © 2003 Goodman Company, L.P.

## Important Information

---

Amana is not responsible for personal injury or property damage resulting from improper service. Review all service information before beginning repairs.

Warranty service must be performed by an authorized technician, using authorized factory parts. If service is required after the warranty expires, Amana also recommends contacting an authorized technician and using authorized factory parts.

For assistance within the U.S.A. contact:

Consumer Affairs Department  
Goodman Company, L.P.  
7401 Security Way  
Houston, Texas 77040  
877-254-4729-Telephone  
713-863-2382-Facsimile

For assistance outside the U.S.A. contact:

International Division  
Goodman Company, L.P.  
7401 Security Way  
Houston, Texas 77040  
713-861-2500-Telephone  
713-863-2382-Facsimile

# Index

Functional Parts List .....	4 - 5
Illustration and Parts .....	6 - 19

*Views shown are for parts illustrations only, not servicing procedures.*

- Revision 1: Added model PTH124A25CB (P1225228R)
- Revision 2: Added models PTH123A25CB (P1225229R) and PTH154A25CB (P1225230R)
- Revision 3: Added models PTH074A35CB (P1225224R), PTH124A25CB (P1225228R), PTH123A25CB (P1225229R), PTH154A25CB (P1225230R), PTC153A25CB (P1225267R), PTC153A25CC (P1225268R), PTH153A25CB (P1225269R), PTH153A25CC (P1225270R).
- Revision 4: Added P1225284R.

### Text Codes:

- AR - As Required
- NA - Not Available
- NS - Not Shown
- 00000000 - See Note
- QTY - Quantity Example (QTY 3) (If Quantity not shown, Quantity = 1)
- M - Model Example (M1) (If M Code not shown, then part is used on all Models)

### Expanded Model Nomenclature:

Example	
M1 - Model#1	P _____
M2 - Model#2	P _____
M3 - Model#3	P _____

# Functional Parts

## Part

## No: Description:

---

D6879821	CAPACITOR (M1, M2, M4, M5)
D6789051	CAPACITOR (M3, M14, M18)
D6789024	CAPACITOR-DUAL (M26)
D6789025	CAPACITOR-METAL (M12, M15, M19)
D6789049	CAPACITOR-POLY (M6, M7, M20, M21, M22, M23)
D6789049	CAPACITOR-POLY (M24, M25)
D6789063	CAPACITOR-ROUND (M16)
D6789060	CAPACITOR-ROUND (M17)
D6879847	CAPACITOR-ROUND (M8, M9, M10)
D6879842	CAPACITOR-ROUND (M11, M13)
D6926120	COMP 2K21S236C-7A (M26)
D6926116	COMP-PN 2K21S3R236A (M6, M7, M20, M21, M22, M23, M24, M25)
D6926117	COMP-PN 2K21S3R276A (M12, M15, M19)
D6985807	COMP-PN 2P17S3R236A (M3, M14, M18)
D6985810	COMP-PN 2P17S3R276A (M11, M13, M17)
D6887709	COMP-PN 2R10S3R236A (M4, M5)
D6887710	COMP-PN 2R10S3R276A (M8, M9, M16)
D6887711	COMP-PN 2R13S3R236A (M1, M2)
D6887712	COMP-PN 2R13S3R276A (M10)
11046702	DISC-THERMOSTAT (M1, M2, M3, M4, M5, M6, M7, M8, M9, M10, M11, M12, M13, M14, M15, M16, M17, M18, M19, M20, M22, M26)
11046705	DISC-THERMOSTAT (M1, M2, M3, M4, M5, M6, M7, M8, M9, M10, M11, M12, M13, M14, M15, M16, M17, M18, M19, M22, M24, M25, M26)
20295702	DISC-THERMOSTAT (M21, M23, M24, M25)
A3410402	FUSE-15A (M8, M13, M15, M17, M19)
A3410403	FUSE-20A (M9, M10, M11, M12, M16)
10685008	HARNESS-COIL (M26)
20252002	HTR 3 2.5KW ASSY (M1, M4, M14, M18, M20, M21, M22, M23, M24)
20460602	HTR 3 2.5KW ASSY (M26)
20252003	HTR 3 3.5KW ASSY (M2, M3, M5, M6, M25)
20252007	HTR 4 2.5KW ASSY (M17, M19)
20252008	HTR 4 3.7KW ASSY (M9, M10, M11, M12, M16)
11114907	MOTOR-FAN (M1, M2, M4, M5)
11114909	MOTOR-FAN (M3, M6, M7, M14, M18, M20, M21, M22, M23, M24, M25, M26)
11114908	MOTOR-FAN (M8, M9, M10, M16)
11114910	MOTOR-FAN (M11, M12, M13, M15, M17, M19)
D4976682	OVERLOAD
D6961607	OVERLOAD (M6, M7, M20, M21, M22, M23, M24, M25)
D6961612	OVERLOAD (M3, M14, M18)
D6961636	OVERLOAD (M4, M5)
D6961637	OVERLOAD (M8, M9, M16)
D6961639	OVERLOAD (M1, M2)
D6961642	OVERLOAD (M10)
D6961643	OVERLOAD (M11, M13, M17)
D6961657	OVERLOAD (M12, M15, M19)
RF000001	PC BOARD
11045801	SCROLL-BLOWER (M1, M2, M3, M4, M5, M6, M7, M8, M9, M10, M11, M12, M13)
11045802	SCROLL-BLOWER (M14, M15, M16, M17, M18, M19, M20, M21, M22, M23, M24, M25)
20295704	THERMISTOR (M26)
20295701	THERMISTOR (M21, M23, M24, M25)
11044101	WHEEL-BLOWER

# Functional Parts

## Part

**No:**            **Description:**

---

### SPECIAL PARTS

11113301      MANUAL-OWNERS (M1, M2, M3, M4, M5, M6, M7, M8, M9, M10, M11, M12, M13, M14, M15, M16, M17, M18, M19)  
11113306      MANUAL-OWNERS (M20, M21, M22, M23, M24, M25, M26)  
RP4220010    MANUAL-PARTS  
RS4200003    SERVICE MANUAL  
11046401      WARRANTY

### Expanded Model Nomenclature

M1 - PTH093A25CB	P1225206R
M2 - PTH093A35CB	P1225207R
M3 - PTH123A35CB	P1225208R
M4 - PTH073A25CB	P1225219R
M5 - PTH073A35CB	P1225220R
M6 - PTH153A35CB	P1225221R
M7 - PTH153A50CB	P1225222R
M8 - PTH074A25CB	P1225223R
M9 - PTH074A35CB	P1225224R
M10 - PTH094A35CB	P1225225R
M11 - PTH124A35CB	P1225226R
M12 - PTH154A35CB	P1225227R
M13 - PTH124A25CB	P1225228R
M14 - PTH123A25CB	P1225229R
M15 - PTH154A25CB	P1225230R
M16 - PTC153A25CB	P1225267R
M17 - PTC153A25CC	P1225268R
M18 - PTH153A25CB	P1225269R
M19 - PTH153A25CC	P1225270R
M20 - PTH153A25CC	P1225273R
M21 - PTH153A35CC	P1225274R
M22 - PTH153A50CC	P1225275R
M23 - PTH153A35CC	P1225285R
M24 - PTH153A50CC	P1225286R
M25 - PTH123A50CC	P1225287R
M26 - PTH153A25CC	P1225284R

# Front/Chassis

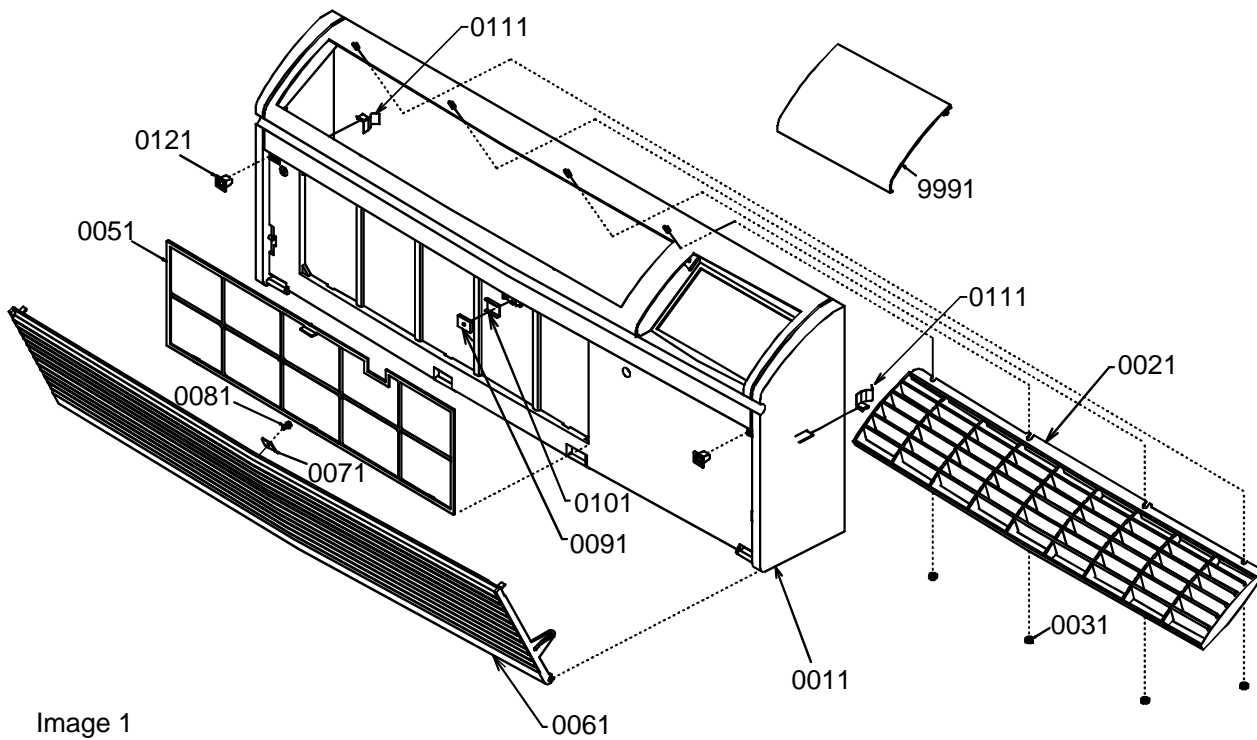
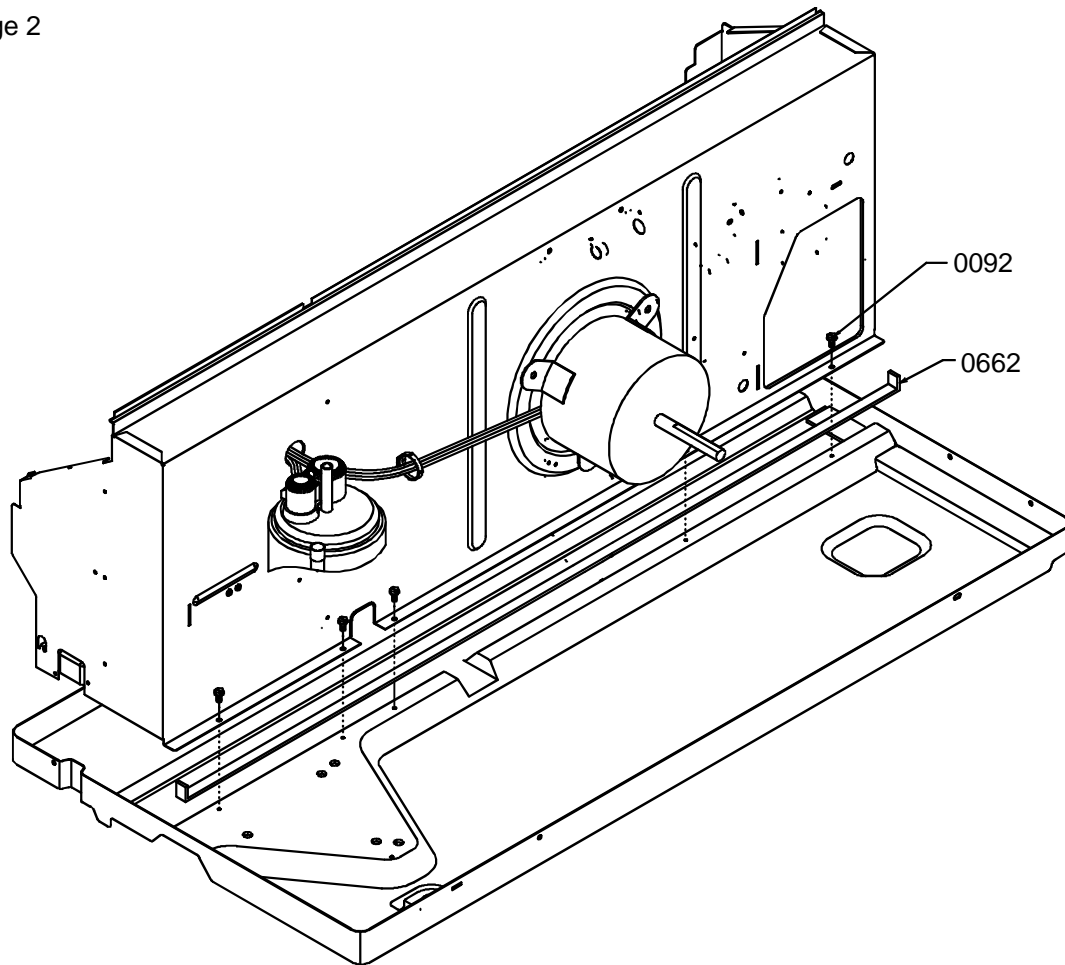


Image 1

Image 2



# Front/Chassis

Ref. Part No:	Ref. Part No:	Description:	Description:
---------------	---------------	--------------	--------------

*Image 1:*

11	11042701	FRONT
21	11167401	GRILLE-DISCHARGE
31	M0293604	PALNUT (QTY 4)
51	11045201	FILTER
61	11042602	GRILLE-INTAKE
71	11047101	STRIKE
81	M0253217	SCREW-TF (QTY AR)
91	11047301	MAGNET
101	11047201	HOLDER-MAGNET
111	11045102	CLIP-SIDE (QTY 2)
121	10690002	DOOR CATCH ASSY (QTY 2)
9991	11143301	DOOR ASSY-AMANA
NS	20208601	INSUL-PARTITION PNL (M26)

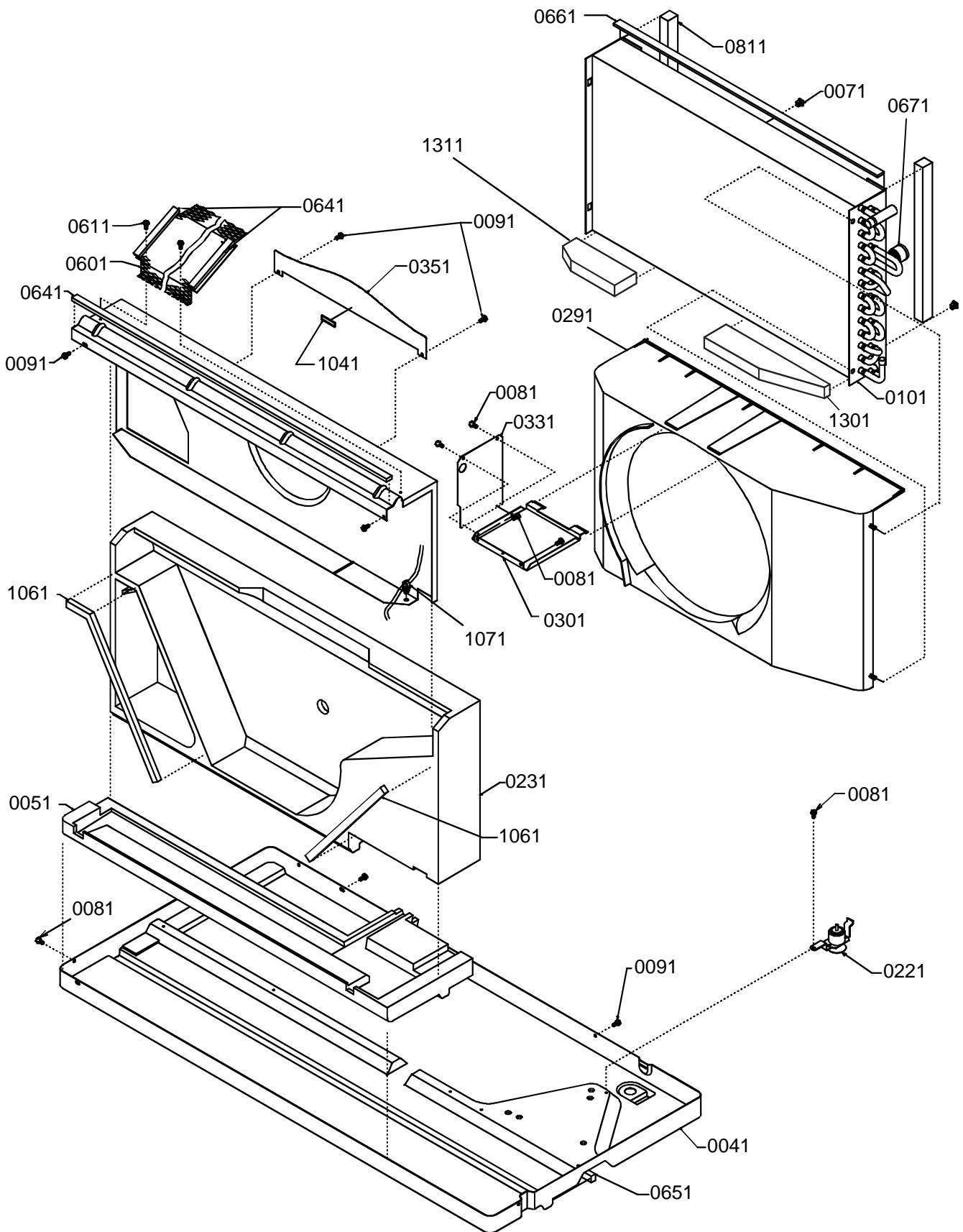
*Image 2:*

92	M0216716	SCREW-SM (QTY AR)
662	10839803	GASKET-CROSS LINK (QTY AR)

### Expanded Model Nomenclature

M1 - PTH093A25CB	P1225206R
M2 - PTH093A35CB	P1225207R
M3 - PTH123A35CB	P1225208R
M4 - PTH073A25CB	P1225219R
M5 - PTH073A35CB	P1225220R
M6 - PTH153A35CB	P1225221R
M7 - PTH153A50CB	P1225222R
M8 - PTH074A25CB	P1225223R
M9 - PTH074A35CB	P1225224R
M10 - PTH094A35CB	P1225225R
M11 - PTH124A35CB	P1225226R
M12 - PTH154A35CB	P1225227R
M13 - PTH124A25CB	P1225228R
M14 - PTH123A25CB	P1225229R
M15 - PTH154A25CB	P1225230R
M16 - PTC153A25CB	P1225267R
M17 - PTC153A25CC	P1225268R
M18 - PTH153A25CB	P1225269R
M19 - PTH153A25CC	P1225270R
M20 - PTH153A25CC	P1225273R
M21 - PTH153A35CC	P1225274R
M22 - PTH153A50CC	P1225275R
M23 - PTH153A35CC	P1225285R
M24 - PTH153A50CC	P1225286R
M25 - PTH123A50CC	P1225287R
M26 - PTH153A25CC	P1225284R

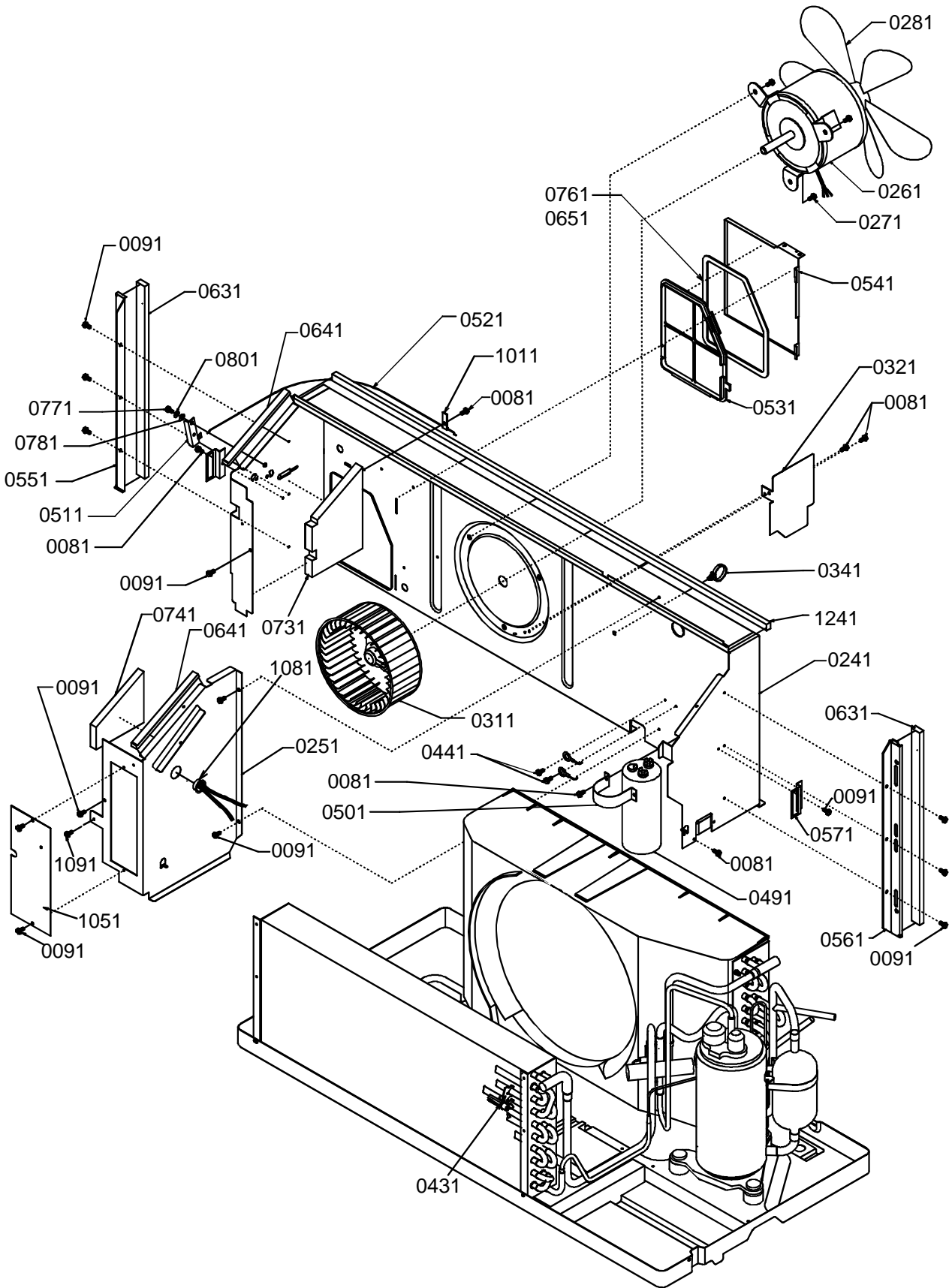
# Chassis



# Chassis

Ref. Part No:	Description:	Ref. Part No:	Description:
<i>Image 1:</i>		<b>Expanded Model Nomenclature</b>	
41	11042508	BASEPAN (M1, M2, M3, M4, M5, M6, M7, M8, M9, M10, M11, M12, M13, M14, M15, M16, M17, M18, M19, M20, M21, M22, M23)	M1 - PTH093A25CB P1225206R
41	11042511	BASEPAN-PNT (M24, M25, M26)	M2 - PTH093A35CB P1225207R
51	11044702	PAD-EVAPORATOR	M3 - PTH123A35CB P1225208R
71	A3315701	GROMMET (QTY 4)	M4 - PTH073A25CB P1225219R
81	M0211216	SCREW-SM (QTY AR)	M5 - PTH073A35CB P1225220R
91	M0216716	SCREW-SM (QTY AR)	M6 - PTH153A35CB P1225221R
101	D9871920	COND ASSY (M3, M6, M7, M11, M12, M13, M14, M15, M17, M18, M19, M22, M23, M24, M25, M26)	M7 - PTH153A50CB P1225222R
101	D9871922	COND ASSY (M4, M5, M8, M9, M16)	M8 - PTH074A25CB P1225223R
101	D9871923	COND ASSY (M1, M2, M10, M20, M21)	M9 - PTH074A35CB P1225224R
221	11043402	VALVE-DRAIN PAN (M1, M2, M3, M4, M5, M6, M7, M8, M9, M10, M11, M12, M13, M14, M15, M16, M17, M18, M19, M20, M21, M22, M23, M24, M25)	M10 - PTH094A35CB P1225225R
221	20417902	VALVE-DRAIN PAN (M26)	M11 - PTH124A35CB P1225226R
231	11045801	SCROLL-BLOWER (M1, M2, M3, M4, M5, M6, M7, M8, M9, M10, M11, M12, M13)	M12 - PTH154A35CB P1225227R
231	11045802	SCROLL-BLOWER (M14, M15, M16, M17, M18, M19, M20, M21, M22, M23, M24, M25)	M13 - PTH124A25CB P1225228R
231	11045803	SCROLL-BLOWER (M26)	M14 - PTH123A25CB P1225229R
291	11167301	SHROUD-CONDENSER	M15 - PTH154A25CB P1225230R
301	11044202	TIE BRACE	M16 - PTC153A25CB P1225267R
331	11046502	TOP BAFF	M17 - PTC153A25CC P1225268R
351	11043902	BLW IN EX PNT (M1, M2, M3, M4, M5, M6, M7, M9, M10, M11, M12, M14, M16, M17, M18, M19, M20, M21, M22, M23)	M18 - PTH153A25CB P1225269R
351	11043901	INTAKE EXT-BLWR (M24, M25, M26)	M19 - PTH153A25CC P1225270R
601	11123904	DISCH-SCREEN	M20 - PTH153A25CC P1225273R
611	M0204517	SCREW-SM STL ZINC (QTY AR)	M21 - PTH153A35CC P1225274R
641	10839705	GASKET-URETHANE (QTY AR)	M22 - PTH153A50CC P1225275R
651	10839808	GASKET-FOAM (QTY AR)	M23 - PTH153A35CC P1225285R
661	10839823	GASKET-.12X.50X41 (M21, M23, M24, M25, M26)	M24 - PTH153A50CC P1225286R
661	10839803	GASKET-CROSS LINK (QTY AR)	M25 - PTH123A50CC P1225287R
671	11046705	DISC-THERMOSTAT (M1, M2, M3, M4, M5, M6, M7, M8, M9, M10, M11, M12, M13, M14, M15, M16, M17, M18, M19, M22, M24, M25, M26)	M26 - PTH153A25CC P1225284R
811	10839712	GASKET-URETHANE (QTY AR)	
1041	10839722	GASKET-URETHANE (QTY AR)	
1061	10839706	GASKET-URETHANE (QTY AR)	
1071	M0120801	CLIP-GUIDE	
1301	20189701	INSUL-COND RH	
1311	20189801	INSUL-COND LH	

# Chassis



# Chassis

Ref. Part No:	Ref. Part No:	Description:	Description:
<i>Image 1:</i>			
81	M0211216	SCREW-SM (QTY AR)	771 M0220757 SCREW-SHLDR (QTY AR)
91	M0216716	SCREW-SM (QTY AR)	781 M0273701 WASHER-SPRING
241	11045509	PANEL-PTN PNT (M16, M17, M18, M19, M20, M21, M22, M23, M24, M25, M26)	801 M0270529 WASHER-FLAT
241	11045505	PARTITION PANEL (M1, M2, M3, M4, M5, M6, M7, M8, M9, M10, M11, M12, M13, M14, M15)	1011 M0108103 CLAMP-TUBE
251	11167503	PANEL-MID PART (M1, M2, M3, M4, M5, M6, M7, M8, M9, M10, M11, M12, M13, M14, M15, M16, M17, M18, M19, M20, M21, M22, M23)	1051 11167602 COVER-ACCESS
251	11167504	PANEL-MID PART (M24, M25, M26)	1081 A4554801 BUSHING-SNAP (M1, M2, M3, M4, M5, M6, M7, M8, M9, M10, M11, M12, M13, M14, M15)
261	11114907	MOTOR-FAN (M1, M2, M4, M5)	1091 M0216529 SCREW-SM (QTY AR)
261	11114908	MOTOR-FAN (M8, M9, M10, M16)	1241 10839814 GASKET-FOAM (QTY AR)
261	11114909	MOTOR-FAN (M3, M6, M7, M14, M18, M20, M21, M22, M23, M24, M25, M26)	
261	11114910	MOTOR-FAN (M11, M12, M13, M15, M17, M19)	
271	M0224956	SCREW-TAP R (QTY AR)	
281	20046501	FAN-PL. COND.	
311	11044101	WHEEL-BLOWER	
321	20245402	COND INLET BAFF	
341	M0118702	CLIP-GUIDE	
431	M0108104	CLAMP-TUBE (M1, M2, M3, M4, M5, M6, M7, M8, M9, M10, M11, M12, M13, M16, M17, M18, M19, M20, M21, M22, M23)	
431	20075601	CLIP-T'STAT (QTY AR)	
441	M0227803	SCREW-TC (QTY AR)	
491	D6789051	CAPACITOR (M3, M14, M18)	
491	D6879821	CAPACITOR (M1, M2, M4, M5)	
491	D6789024	CAPACITOR-DUAL (M26)	
491	D6789025	CAPACITOR-METAL (M12, M15, M19)	
491	D6789049	CAPACITOR-POLY (M6, M7, M20, M21, M22, M23)	
491	D6789049	CAPACITOR-POLY (M24, M25)	
491	D6789060	CAPACITOR-ROUND (M17)	
491	D6789063	CAPACITOR-ROUND (M16)	
491	D6879842	CAPACITOR-ROUND (M11, M13)	
491	D6879847	CAPACITOR-ROUND (M8, M9, M10)	
501	C6300502	STRAP-CAPACITOR (M1, M2, M3, M4, M5, M6, M7, M8, M9, M10, M11, M13, M14, M16, M17, M18, M20, M21, M22, M23, M24, M25)	
501	C6300503	STRAP-CAPACITOR (M12, M15, M19, M26)	
511	11046302	LEVER ARM	
521	11115401	CABLE	
531	11046201	FILTER-VENT	
541	11046106	DOOR-PNT VENT (M16, M17, M18, M19, M20, M21, M22, M23, M24, M25, M26)	
541	11046103	VENT DOOR (M1, M2, M3, M4, M5, M6, M7, M8, M9, M10, M11, M12, M13, M14, M15)	
551	11044902	SEAL-L SIDE	
561	11044901	SEAL-R SIDE	
571	11191702	BRKT-PART PAN (QTY 2)	
631	10839807	GASKET-CROSS LINK (QTY AR)	
641	10839705	GASKET-URETHANE (QTY AR)	
651	10839808	GASKET-FOAM (QTY AR)	
731	11122901	INSUL-LEFT	
741	11123001	INSUL-RIGHT	
761	10839810	GASKET-CROSS LINK (QTY AR)	

## Expanded Model Nomenclature

M1 - PTH093A25CB	P1225206R
M2 - PTH093A35CB	P1225207R
M3 - PTH123A35CB	P1225208R
M4 - PTH073A25CB	P1225219R
M5 - PTH073A35CB	P1225220R
M6 - PTH153A35CB	P1225221R
M7 - PTH153A50CB	P1225222R
M8 - PTH074A25CB	P1225223R
M9 - PTH074A35CB	P1225224R
M10 - PTH094A35CB	P1225225R
M11 - PTH124A35CB	P1225226R
M12 - PTH154A35CB	P1225227R
M13 - PTH124A25CB	P1225228R
M14 - PTH123A25CB	P1225229R
M15 - PTH154A25CB	P1225230R
M16 - PTC153A25CB	P1225267R
M17 - PTC153A25CC	P1225268R
M18 - PTH153A25CB	P1225269R
M19 - PTH153A25CC	P1225270R
M20 - PTH153A25CC	P1225273R
M21 - PTH153A35CC	P1225274R
M22 - PTH153A50CC	P1225275R
M23 - PTH153A35CC	P1225285R
M24 - PTH153A50CC	P1225286R
M25 - PTH123A50CC	P1225287R
M26 - PTH153A25CC	P1225284R

# Compressor/Tubing

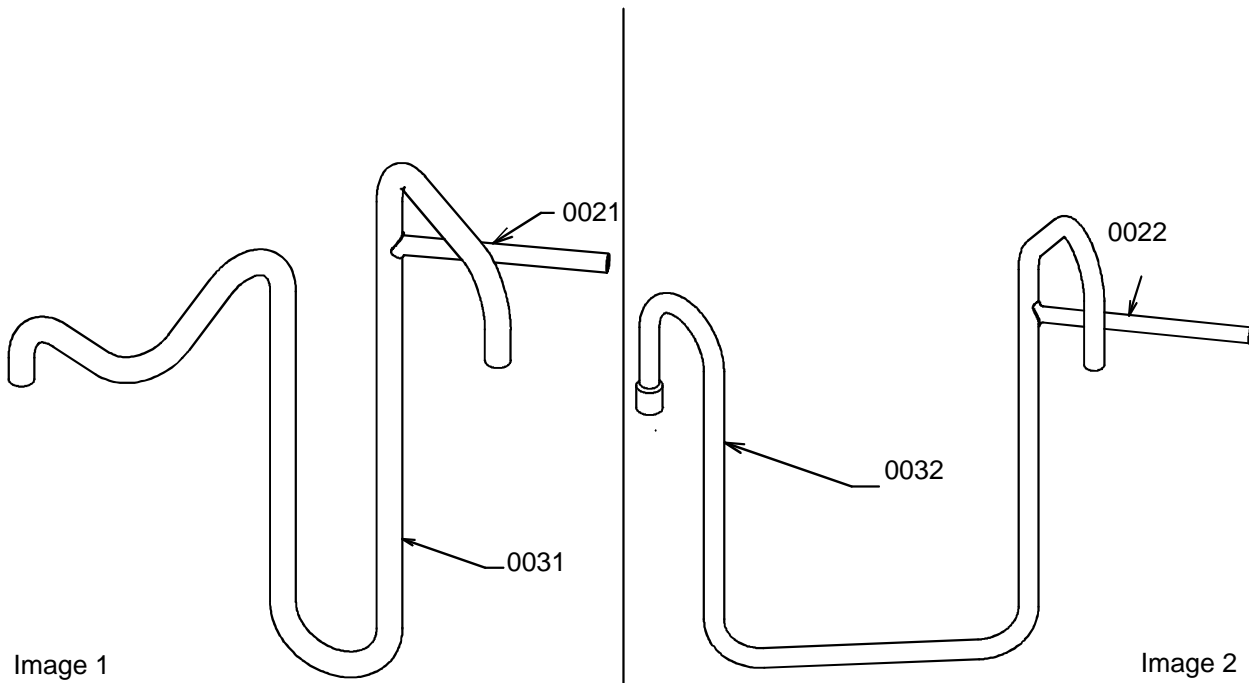
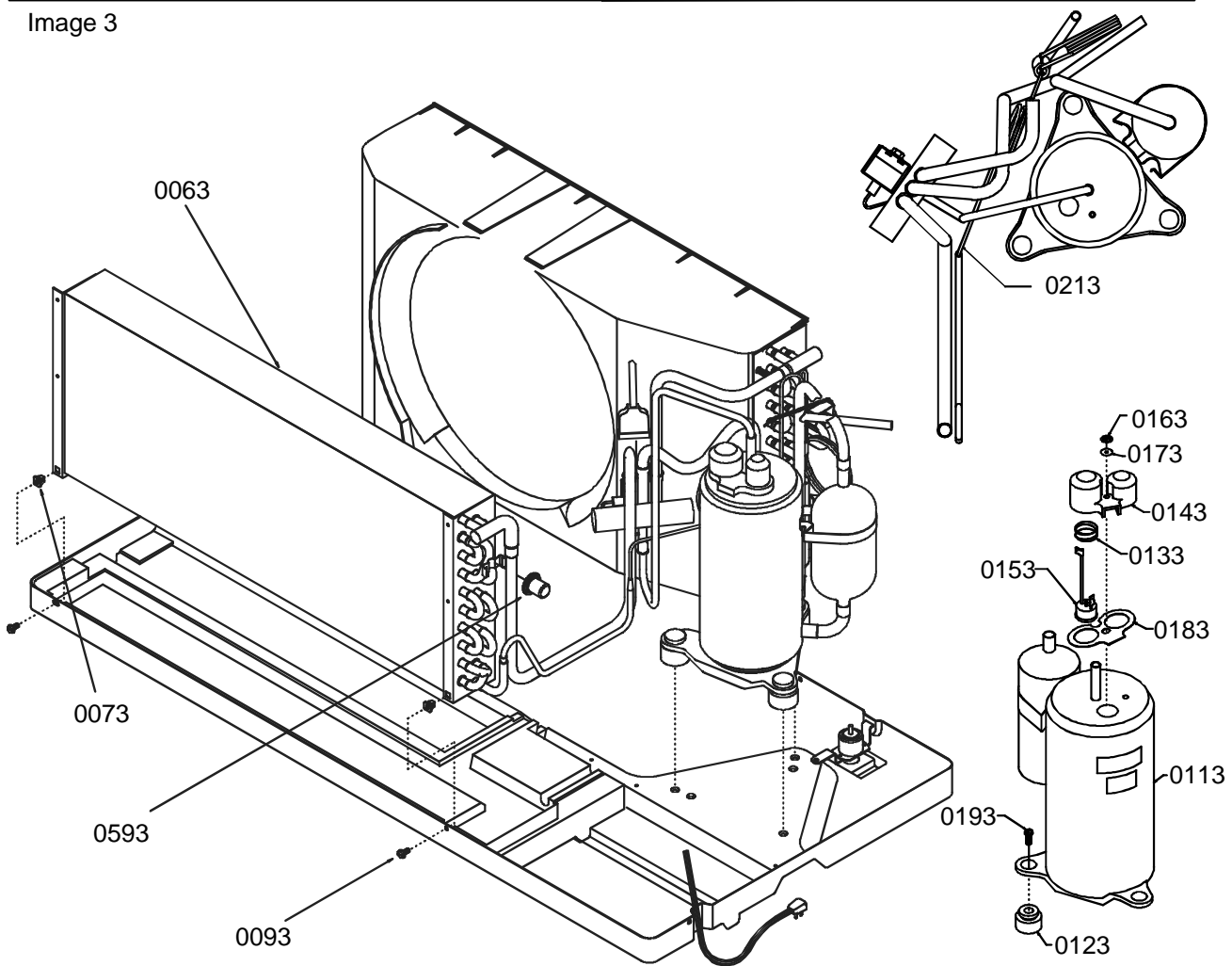


Image 3



# Compressor/Tubing

**Ref. Part  
No: No:**

**Description:**

*Image 1:*

21	A4528927	TUBE-PROCESS (M3, M6, M7, M11, M12, M13, M14, M15, M17, M18, M19, M20, M21, M22, M23)
31	11144601	TUBE-SUCTION (M20, M21)
31	20210801	TUBE-SUCTION (M3, M6, M7, M11, M12, M13, M14, M15)
31	20210802	TUBE-SUCTION (M17, M18, M19, M22, M23, M24, M25, M26)

*Image 2:*

22	A4528920	TUBE-PROCESS (M1, M2, M4, M5, M8, M9, M10, M16, M24, M25, M26)
32	20042001	TUBE-SUCTION (M4, M5, M8, M9)
32	20042003	TUBE-SUCTION (M16)
32	20042201	TUBE-SUCTION (M1, M2, M10)

*Image 3:*

63	11165603	EVAP ASSY (M3, M6, M7, M11, M12, M13, M14, M15, M17, M18, M19, M20, M21, M22, M23, M24, M25, M26)
63	11165703	EVAP ASSY (M1, M2, M10)
63	11165803	EVAP ASSY (M4, M5, M8, M9, M16)
73	A3315701	GROMMET (QTY 4)
93	M0216716	SCREW-SM (QTY AR)
113	D6926120	COMP 2K21S236C-7A (M26)
113	D6926116	COMP-PN 2K21S3R236A (M6, M7, M20, M21, M22, M23, M24, M25)
113	D6926117	COMP-PN 2K21S3R276A (M12, M15, M19)
113	D6985807	COMP-PN 2P17S3R236A (M3, M14, M18)
113	D6985810	COMP-PN 2P17S3R276A (M11, M13, M17)
113	D6887709	COMP-PN 2R10S3R236A (M4, M5)
113	D6887710	COMP-PN 2R10S3R276A (M8, M9, M16)
113	D6887711	COMP-PN 2R13S3R236A (M1, M2)
113	D6887712	COMP-PN 2R13S3R276A (M10)
123	A3448601	GROMMET (M3, M6, M7, M11, M12, M13, M14, M15, M17, M18, M19, M20, M21, M22, M23, M24, M25, M26)
123	A4622801	GROMMET (M1, M2, M4, M5, M8, M9, M10, M16)
133	A3436901	SPRING-OVERLOAD
143	10329001	COVER-TERM (M1, M2, M3, M4, M5, M6, M7, M8, M9, M10, M11, M12, M13, M14, M15)
143	20120102	COVER-TERM (M16, M17, M18, M19, M20, M21, M22, M23)
143	20120103	COVER-TERM (M24, M25, M26)
153	D4976682	OVERLOAD
153	D6961607	OVERLOAD (M6, M7, M20, M21, M22, M23, M24, M25)
153	D6961612	OVERLOAD (M3, M14, M18)
153	D6961636	OVERLOAD (M4, M5)
153	D6961637	OVERLOAD (M8, M9, M16)
153	D6961639	OVERLOAD (M1, M2)
153	D6961642	OVERLOAD (M10)
153	D6961643	OVERLOAD (M11, M13, M17)
153	D6961657	OVERLOAD (M12, M15, M19)
163	A3436601	NUT-TERM COVER
173	A3436801	GASKET-NUT (QTY AR)
183	A3436701	GASKET-TERM COVER (QTY AR)
193	M0253610	SCREW-SHLDR (M17, M18, M19, M20, M21, M22, M23, M24, M25, M26)

**Ref. Part  
No: No:**

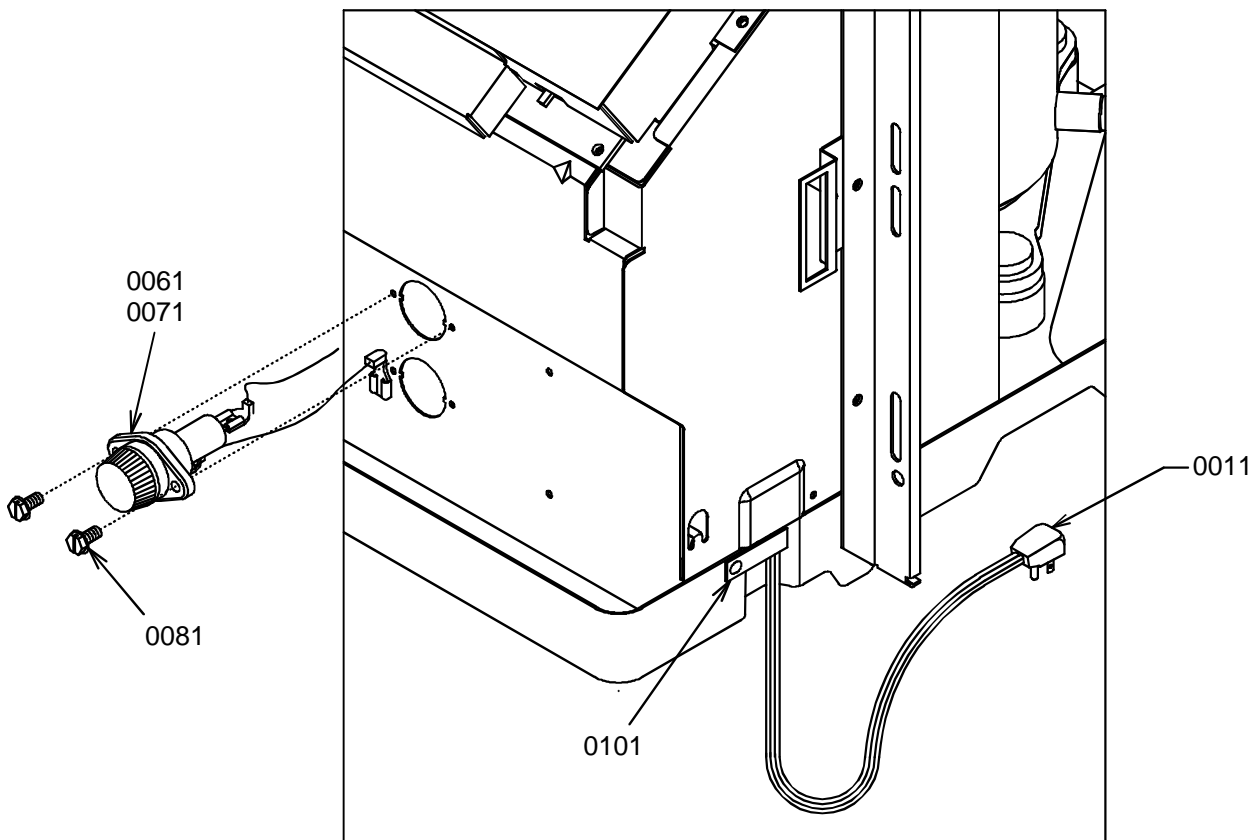
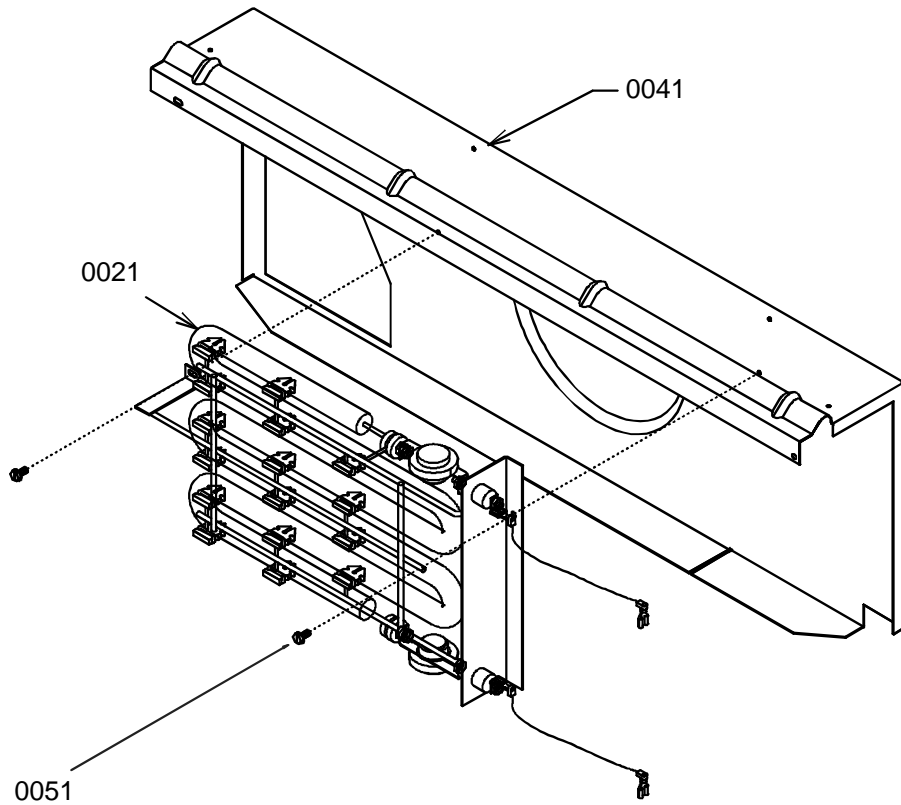
**Description:**

193	M0253661	SCREW-SHLDR (M1, M2, M3, M4, M5, M6, M7, M8, M9, M10, M11, M12, M13, M14, M15, M16)
213	C6219044	CAPILLARY (M26)
213	11194602	CAPILLARY WELD (M1, M2, M10)
213	11194802	CAPILLARY WELD (M6, M7, M12, M15)
213	11194804	CAPILLARY WELD
213	11195202	CAPILLARY WELD (M4, M5, M8, M9)
213	11195305	CAPILLARY WELD (M3, M11, M13, M14)
213	11195310	CAPILLARY WELD
593	11046702	DISC-THERMOSTAT (M1, M2, M3, M4, M5, M6, M7, M8, M9, M10, M11, M12, M13, M14, M15, M16, M17, M18, M19, M20, M22, M26)
593	20295702	DISC-THERMOSTAT (M21, M23, M24, M25)

## Expanded Model Nomenclature

M1 - PTH093A25CB	P1225206R
M2 - PTH093A35CB	P1225207R
M3 - PTH123A35CB	P1225208R
M4 - PTH073A25CB	P1225219R
M5 - PTH073A35CB	P1225220R
M6 - PTH153A35CB	P1225221R
M7 - PTH153A50CB	P1225222R
M8 - PTH074A25CB	P1225223R
M9 - PTH074A35CB	P1225224R
M10 - PTH094A35CB	P1225225R
M11 - PTH124A35CB	P1225226R
M12 - PTH154A35CB	P1225227R
M13 - PTH124A25CB	P1225228R
M14 - PTH123A25CB	P1225229R
M15 - PTH154A25CB	P1225230R
M16 - PTC153A25CB	P1225267R
M17 - PTC153A25CC	P1225268R
M18 - PTH153A25CB	P1225269R
M19 - PTH153A25CC	P1225270R
M20 - PTH153A25CC	P1225273R
M21 - PTH153A35CC	P1225274R
M22 - PTH153A50CC	P1225275R
M23 - PTH153A35CC	P1225285R
M24 - PTH153A50CC	P1225286R
M25 - PTH123A50CC	P1225287R
M26 - PTH153A25CC	P1225284R

# Heater



# Heater

Ref. Part No:	Description:	Ref. Part No:	Description:
---------------	--------------	---------------	--------------

Image 1:

11	11114401	CORD-250V 15A (M1, M4, M14, M18, M20, M21, M22, M23, M24, M26)
11	11114501	CORD-250V 20A (M2, M3, M5, M6, M25)
11	11114601	CORD-250V 30A (M7)
11	11114701	CORD-277V-20A (M8, M9, M10, M11, M12, M13, M15, M16, M17, M19)
21	20252002	HTR 3 2.5KW ASSY (M1, M4, M14, M18, M20, M21, M22, M23, M24)
21	20460602	HTR 3 2.5KW ASSY (M26)
21	20252003	HTR 3 3.5KW ASSY (M2, M3, M5, M6, M25)
21	20252007	HTR 4 2.5KW ASSY (M17, M19)
21	20252008	HTR 4 3.7KW ASSY (M9, M10, M11, M12, M16)
41	11044304	BLWR INTK
51	M0216716	SCREW-SM (QTY AR)
61	C6476001	HOLDER-BAYONET FUSE (M17, M19)
61	C6476002	HOLDER-BAYONET FUSE (M8, M9, M10, M11, M12, M13, M15, M16)
71	A3410402	FUSE-15A (M8, M13, M15, M17, M19)
71	A3410403	FUSE-20A (M9, M10, M11, M12, M16)
81	M0213817	SCREW-SM (M1, M2, M3, M4, M5, M6, M7, M8, M9, M10, M11, M12, M13, M14, M15, M16, M17, M19)
101	M0103905	CLAMP-SPEED (M1, M4, M14, M18, M20, M21, M22, M23, M24, M25, M26)
101	M0103906	CLAMP-SPEED (M2, M3, M5, M6, M7, M8, M9, M10, M11, M12, M13, M15, M16, M17, M19)

## Expanded Model Nomenclature

M1 - PTH093A25CB	P1225206R
M2 - PTH093A35CB	P1225207R
M3 - PTH123A35CB	P1225208R
M4 - PTH073A25CB	P1225219R
M5 - PTH073A35CB	P1225220R
M6 - PTH153A35CB	P1225221R
M7 - PTH153A50CB	P1225222R
M8 - PTH074A25CB	P1225223R
M9 - PTH074A35CB	P1225224R
M10 - PTH094A35CB	P1225225R
M11 - PTH124A35CB	P1225226R
M12 - PTH154A35CB	P1225227R
M13 - PTH124A25CB	P1225228R
M14 - PTH123A25CB	P1225229R
M15 - PTH154A25CB	P1225230R
M16 - PTC153A25CB	P1225267R
M17 - PTC153A25CC	P1225268R
M18 - PTH153A25CB	P1225269R
M19 - PTH153A25CC	P1225270R
M20 - PTH153A25CC	P1225273R
M21 - PTH153A35CC	P1225274R
M22 - PTH153A50CC	P1225275R
M23 - PTH153A35CC	P1225285R
M24 - PTH153A50CC	P1225286R
M25 - PTH123A50CC	P1225287R
M26 - PTH153A25CC	P1225284R

# Control Panel

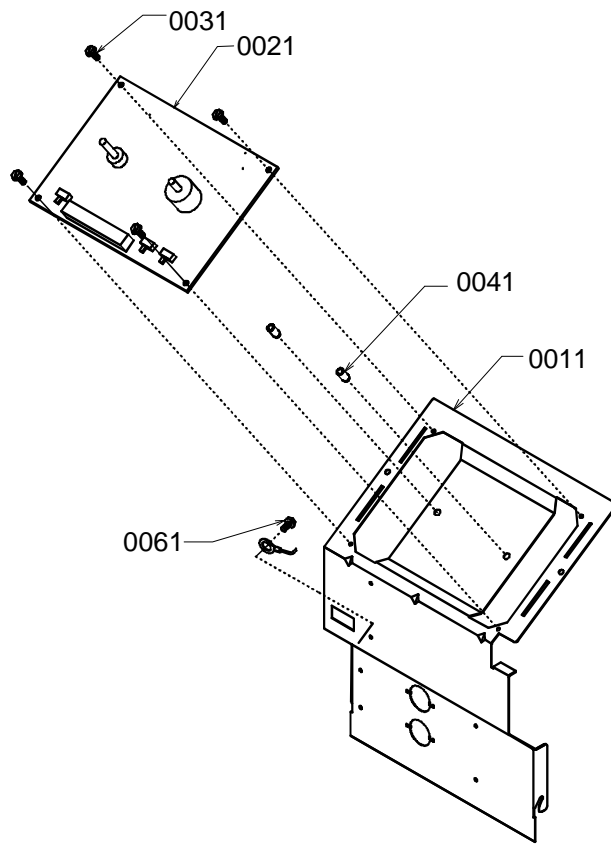
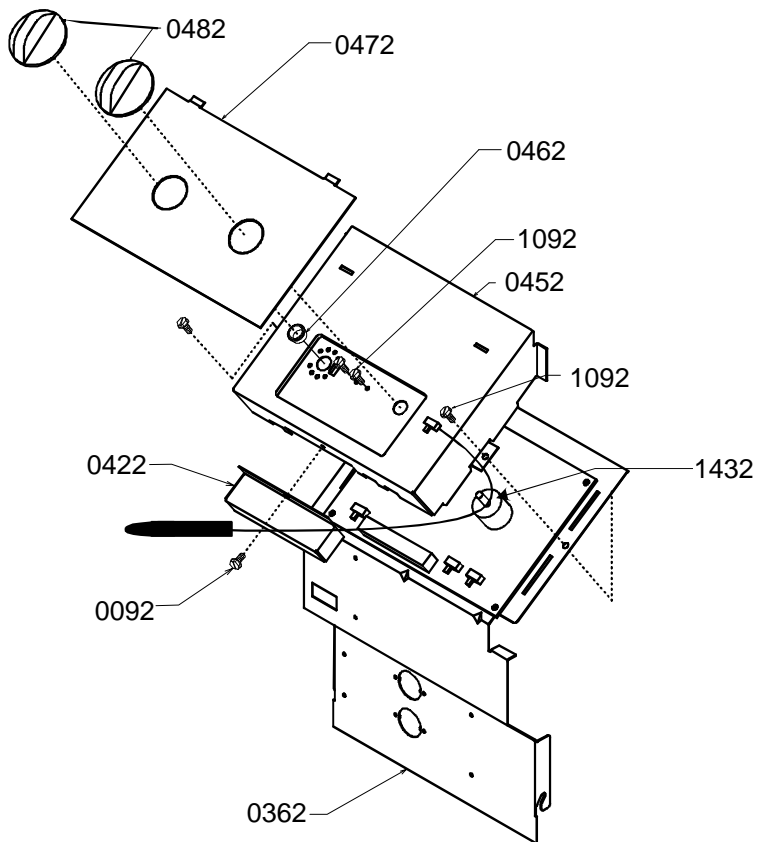


Image 1

Image 2



# Control Panel

Ref. Part No:	No:	Description:	Ref. Part No:	No:	Description:
<i>Image 1:</i>			<b>Expanded Model Nomenclature</b>		
11	11044501	PANEL-CONTROL (M1, M2, M3, M4, M5, M6, M7, M8, M9, M10, M11, M12, M13, M14, M15)	M1 - PTH093A25CB		P1225206R
11	11044504	PANEL-CONTROL (M16, M17, M18, M19, M20, M21, M22, M23, M24, M25)	M2 - PTH093A35CB		P1225207R
21	RF000001	PC BOARD	M3 - PTH123A35CB		P1225208R
31	M0216529	SCREW-SM (QTY AR)	M4 - PTH073A25CB		P1225219R
41	M0590702	SUPPORT (QTY 2)	M5 - PTH073A35CB		P1225220R
61	M0227803	SCREW-TC (QTY AR)	M6 - PTH153A35CB		P1225221R
<i>Image 2:</i>			M7 - PTH153A50CB		P1225222R
92	M0216716	SCREW-SM (QTY AR)	M8 - PTH074A25CB		P1225223R
362	11121501	CONT PANEL ASSY (M1, M2, M3, M4, M5, M6, M7, M8, M9, M10, M11, M12, M13, M14, M15, M16, M17, M18, M19, M20, M22)	M9 - PTH074A35CB		P1225224R
362	11121505	CONT PANEL ASSY (M21, M23, M24, M25, M26)	M10 - PTH094A35CB		P1225225R
422	11045601	COVER-TERM BLOCK (M1, M2, M3, M4, M5, M6, M7, M8, M9, M10, M11, M12, M13, M14, M15, M16, M17, M18, M19, M20, M22)	M11 - PTH124A35CB		P1225226R
452	11044403	COVER-CONT PNL (M21, M23, M24, M25, M26)	M12 - PTH154A35CB		P1225227R
452	11044401	COVER-CONTROL PANEL (M1, M2, M3, M4, M5, M6, M7, M8, M9, M10, M11, M12, M13, M14, M15, M16, M17, M18, M19, M20, M22)	M13 - PTH124A25CB		P1225228R
462	M0117902	CLIP-TUBULAR	M14 - PTH123A25CB		P1225229R
472	20005701	PLATE-ESC	M15 - PTH154A25CB		P1225230R
482	11042902	KNOB-CONTROL (QTY 2)	M16 - PTC153A25CB		P1225267R
1092	M0216529	SCREW-SM (QTY AR)	M17 - PTC153A25CC		P1225268R
1432	20295701	THERMISTOR (M21, M23, M24, M25)	M18 - PTH153A25CB		P1225269R
1432	20295704	THERMISTOR (M26)	M19 - PTH153A25CC		P1225270R
			M20 - PTH153A25CC		P1225273R
			M21 - PTH153A35CC		P1225274R
			M22 - PTH153A50CC		P1225275R
			M23 - PTH153A35CC		P1225285R
			M24 - PTH153A50CC		P1225286R
			M25 - PTH123A50CC		P1225287R
			M26 - PTH153A25CC		P1225284R

# Capillary Tubing/Sweat Valve

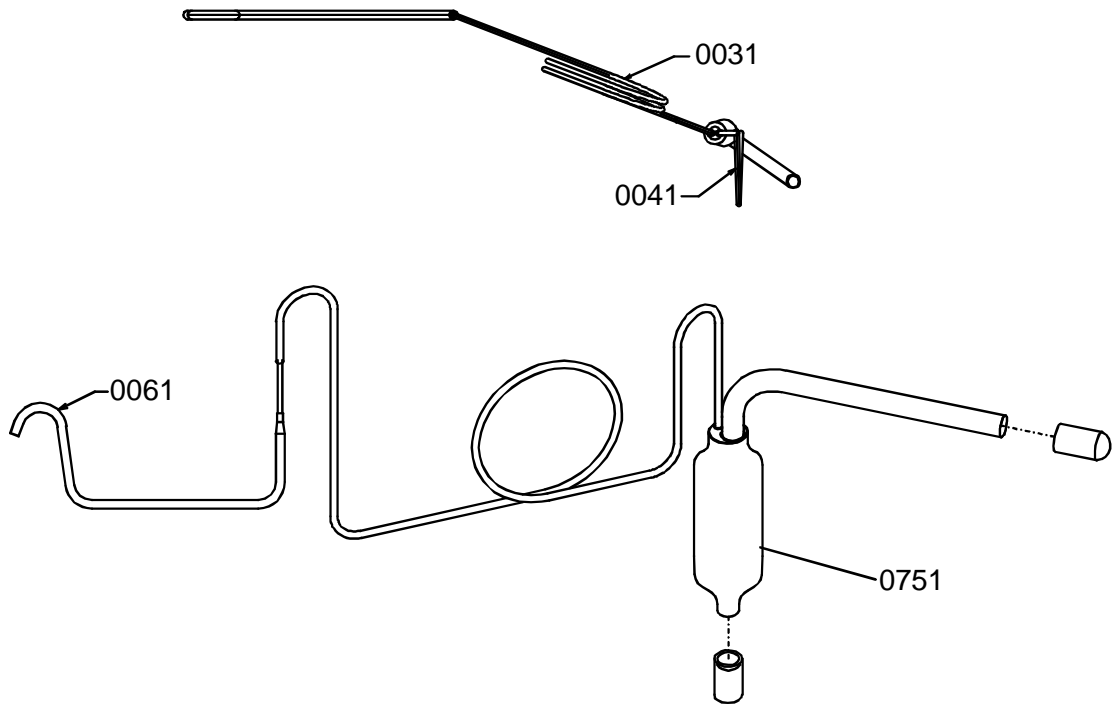
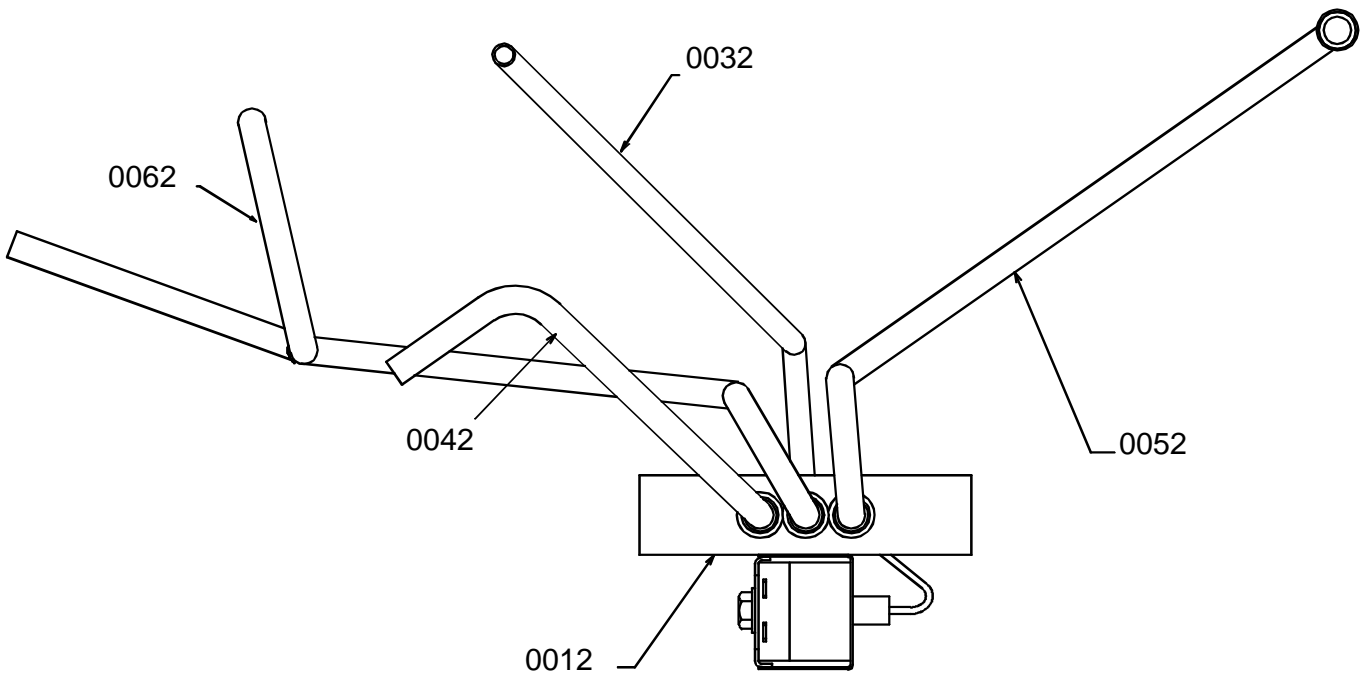


Image 1

Image 2



# Capillary Tubing/Sweat Valve

**Ref. Part  
No: No:**

**Description:**

**Ref. Part  
No: No:**

**Description:**

*Image 1:*

61	11177502	ELBOW (M1, M2, M3, M4, M5, M6, M7, M8, M9, M10, M11, M12, M13, M14, M15, M16, M17, M18, M19, M22, M23, M26)
61	20335401	ELBOW (M17, M18, M19, M22, M23, M24, M25)
61	D9818904	ELBOW (M16, M20, M21)
71	M0322801	TIE-ELEC (QTY AR)
751	20284907	FILTER DRIER (M4, M5, M8, M9, M16)
751	20284908	FILTER DRIER (M1, M2, M10)
751	20284910	FILTER DRIER (M3, M11, M13, M14, M17, M18)
751	20284912	FILTER DRIER (M6, M7, M12, M15, M19, M20, M21, M22, M23, M24, M25, M26)

*Image 2:*

12	20210905	REV VALVE WELD (M6, M7)
12	20210906	REV VALVE WELD (M12, M15)
12	20210907	REV VALVE WELD (M3, M14)
12	20210908	REV VALVE WELD (M11, M13)
12	20329501	REV VLV WELD (M16)
12	20329701	REV VLV WELD (M18)
12	20329702	REV VLV WELD (M17)
12	20329703	REV VLV WELD (M22, M23, M24, M25, M26)
12	20329704	REV VLV WELD (M19)
32	11116902	TUBE-DISCH (M3, M11, M13, M14, M17, M18)
32	11177902	TUBE-DISCH (M6, M7, M12, M15, M19, M22, M23, M24, M25, M26)
32	11192202	TUBE-DISCH (M1, M2, M4, M5, M8, M9, M10, M16)
32	20335601	TUBE-DISCH (M20, M21)
42	20329201	TUBE-COND (M16)
42	20329301	TUBE-COND (M17, M18, M19, M22, M23, M24, M25, M26)
42	11117101	TUBE-CONDENSER (M3, M6, M7, M11, M12, M13, M14, M15)
42	11145001	TUBE-CONDENSER (M4, M5, M8, M9)
42	11180001	TUBE-CONDENSER (M1, M2, M10)
52	20329101	TUBE-EVAP (M16)
52	20329102	TUBE-EVAP (M17, M18, M19, M22, M23, M24, M25, M26)
52	11117001	TUBE-EVAPORATOR (M1, M2, M3, M6, M7, M10, M11, M12, M13, M14, M15)
52	11117002	TUBE-EVAPORATOR (M4, M5, M8, M9)
62	11192702	SUCTION TUBE WELD (M3, M6, M7, M11, M12, M13, M14, M15)
62	20042101	SUCTION TUBE WELD (M4, M5, M8, M9)
62	20042301	SUCTION TUBE WELD (M1, M2, M10)
62	11192703	TUBE WELD-SUCT (M17, M18, M19, M22, M23, M24, M25)
62	20042103	TUBE WELD-SUCT (M16)

## Expanded Model Nomenclature

M1 - PTH093A25CB	P1225206R
M2 - PTH093A35CB	P1225207R
M3 - PTH123A35CB	P1225208R
M4 - PTH073A25CB	P1225219R
M5 - PTH073A35CB	P1225220R
M6 - PTH153A35CB	P1225221R
M7 - PTH153A50CB	P1225222R
M8 - PTH074A25CB	P1225223R
M9 - PTH074A35CB	P1225224R
M10 - PTH094A35CB	P1225225R
M11 - PTH124A35CB	P1225226R
M12 - PTH154A35CB	P1225227R
M13 - PTH124A25CB	P1225228R
M14 - PTH123A25CB	P1225229R
M15 - PTH154A25CB	P1225230R
M16 - PTC153A25CB	P1225267R
M17 - PTC153A25CC	P1225268R
M18 - PTH153A25CB	P1225269R
M19 - PTH153A25CC	P1225270R
M20 - PTH153A25CC	P1225273R
M21 - PTH153A35CC	P1225274R
M22 - PTH153A50CC	P1225275R
M23 - PTH153A35CC	P1225285R
M24 - PTH153A50CC	P1225286R
M25 - PTH123A50CC	P1225287R
M26 - PTH153A25CC	P1225284R