

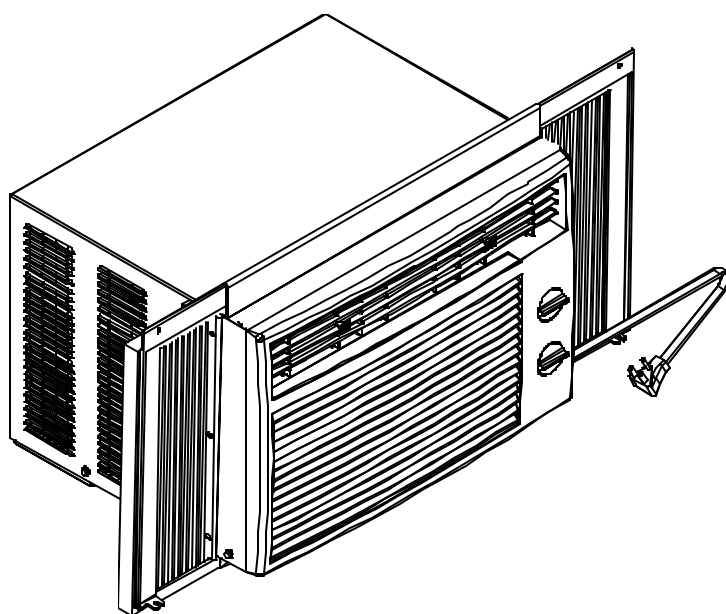
Parts

Room Air Conditioners

This manual replaces RP4110005 Revision 1.

Models and manufacturing numbers in this manual

| | |
|------------|-----------|
| AC05080M1D | P1225001R |
| AC05080M1D | P1225013R |
| AC05090M1D | P1225034R |
| AC06087M1D | P1225002R |
| AC06087M1D | P1225017R |
| AC06090M1D | P1225020R |
| AC07087M1D | P1225003R |
| AC07087M1D | P1225018R |
| AC07087M1D | P1225021R |
| AC07087M1D | P1225027R |



This manual is to be used by qualified appliance technicians only. Amana does not assume any responsibility for property damage or personal injury for improper service procedures done by an unqualified person.

Amana

RP4110005
Revision 2
November 1999

Important Information

Amana is not responsible for personal injury or property damage resulting from improper service. Review all service information before beginning repairs.

Warranty service must be performed by an authorized technician, using authorized factory parts. If service is required after the warranty expires, Amana also recommends contacting an authorized technician and using authorized factory parts. Locate an authorized technician by calling 800-NATLSVC (800-628-5782).

For assistance within the U.S.A. contact:

Consumer Affairs Department
Amana
2800 220th Trail
Amana IA 52204-0001
319-622-5511--Telephone
319-622-2977--Facsimile

For assistance outside the U.S.A. contact:

International Division
Amana
2800 220th Trail
Amana IA 52204-0001
USA
319-622-5511--Telephone
319-622-8595--Facsimile

Index

| | |
|------------------------------|--------|
| Functional Parts List | 5 |
| Illustration and Parts | 6 - 11 |

Views shown are for parts illustrations only, not servicing procedures.

Revision 1: Added AC07087M1D (P1225027R) and updated manual.

Revision 2: Added AC05090M1D (P1225034R) to manual.

Text Codes:

AR - As Required

NA - Not Available

NS - Not Shown

00000000 - See Note

QTY - Quantity Example (QTY 3) (If Quantity not shown, Quantity = 1)

M - Model Example (M1) (If M Code not shown, then part is used on all Models)

Expanded Model and Color Nomenclature:

| | |
|--------------|---------|
| Example | |
| M1 - Model#1 | P _____ |
| M2 - Model#2 | P _____ |
| M3 - Model#3 | P _____ |

Functional Parts

Part

No: **Description:**

| | |
|-----------|--|
| BT9457003 | CAPACITOR, 25/10/370 (M5) |
| BT9457001 | CAPACITOR, 35/10/370 (M1, M2, M3, M6, M7, M8, M9, M10) |
| BT9457000 | CAPACITOR,20/10/370 (M4) |
| BT9266112 | COMPRESSOR (M3) |
| BT9266116 | COMPRESSOR (M2) |
| BT9266302 | COMPRESSOR (M4) |
| BT9266308 | COMPRESSOR (M7) |
| BT9266220 | COMPRESSOR (M6, M8, M9) |
| BT9266219 | COMPRESSOR (M5) |
| BT9266100 | COMPRESSOR (M1) |
| BT1340022 | MOTOR |
| BT1243723 | OVERLOAD SWITCH, MRA (M2) |
| BT1243726 | OVERLOAD SWITCH, MRA (M4) |
| BT1243714 | OVERLOAD SWITCH, MRA (M3) |
| BT1243708 | OVERLOAD SWITCH,MSP2 (M1) |
| BT1243728 | OVERLOAD; COMPRESSOR (M6, M8, M9) |
| BT1243727 | OVERLOAD; COMPRESSOR (M5) |
| BT1210007 | POWER CORD, 115V, 10 |
| BT1370803 | POWER SWITCH,5 POSITION |
| 3593804 | STRAINER ASSEMBLY (M4, M5, M6) |
| 3593803 | STRAINER ASSEMBLY (M1, M2, M3) |
| 3593805 | STRAINER ASSEMBLY (M7, M8, M9, M10) |
| BT1370801 | THERMOSTAT |

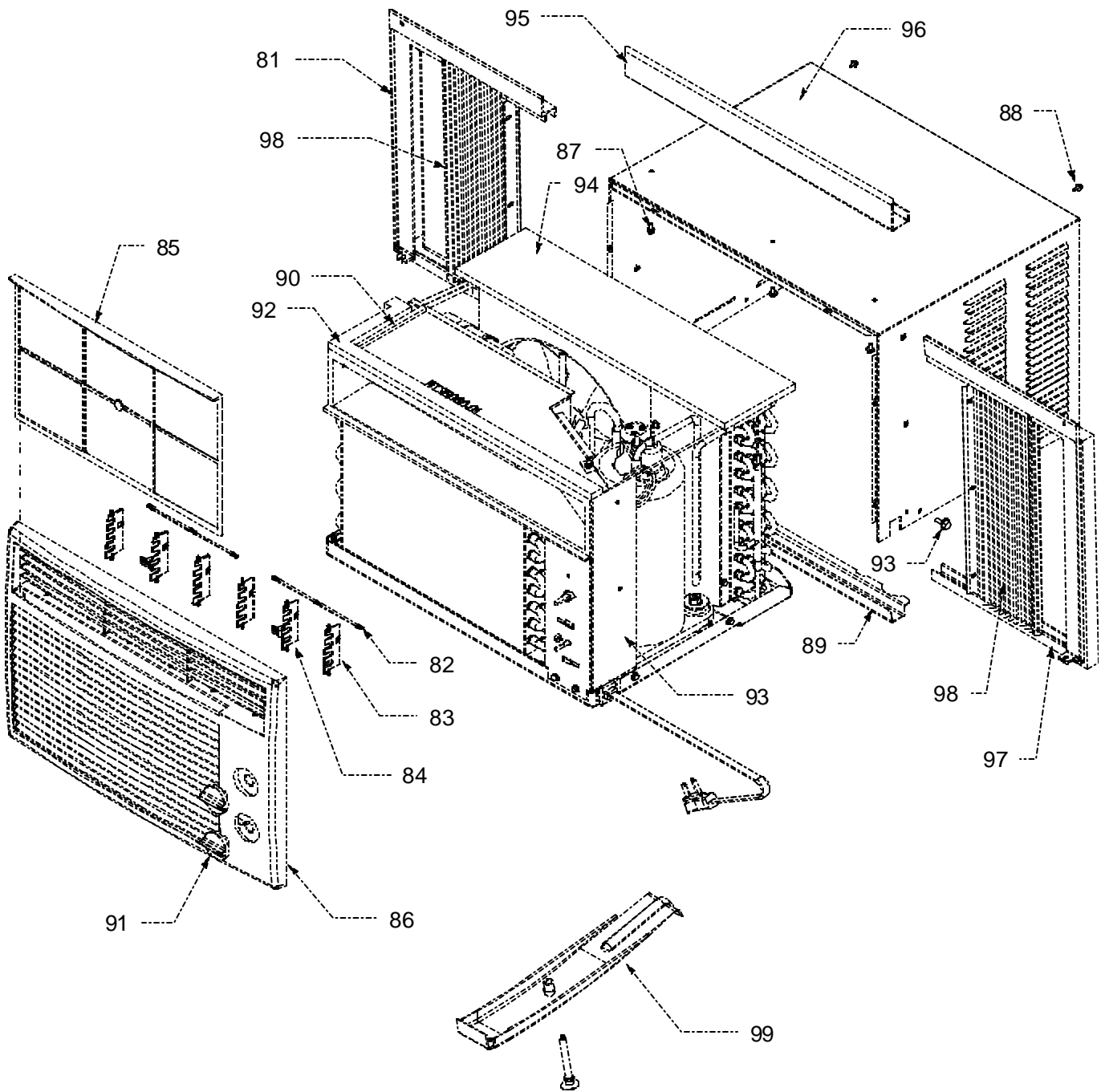
SPECIAL PARTS

| | |
|-----------|------------------------|
| BT3575101 | FILTER |
| 3084005 | INSTALLATION BRKT ASSY |
| BT1393207 | INSTALLATION HARDWARE |
| RP4110005 | MANUAL-PARTS |
| RS4110002 | MANUAL-SERVICE |
| RACIO21 | MI/SM CH. I&O |
| RACOM06A | USE & CARE |

Expanded Model and Color Nomenclature

| | |
|------------------|-----------|
| M1 - AC05080M1D | P1225001R |
| M2 - AC06087M1D | P1225002R |
| M3 - AC07087M1D | P1225003R |
| M4 - AC05080M1D | P1225013R |
| M5 - AC06087M1D | P1225017R |
| M6 - AC07087M1D | P1225018R |
| M7 - AC06090M1D | P1225020R |
| M8 - AC07087M1D | P1225021R |
| M9 - AC07087M1D | P1225027R |
| M10 - AC05090M1D | P1225034R |

Outer Case and Front



Outer Case and Front

| Ref. Part No: | Part No: | Description: | Ref. Part No: | Part No: | Description: |
|---------------|----------|--------------|---------------|----------|--------------|
|---------------|----------|--------------|---------------|----------|--------------|

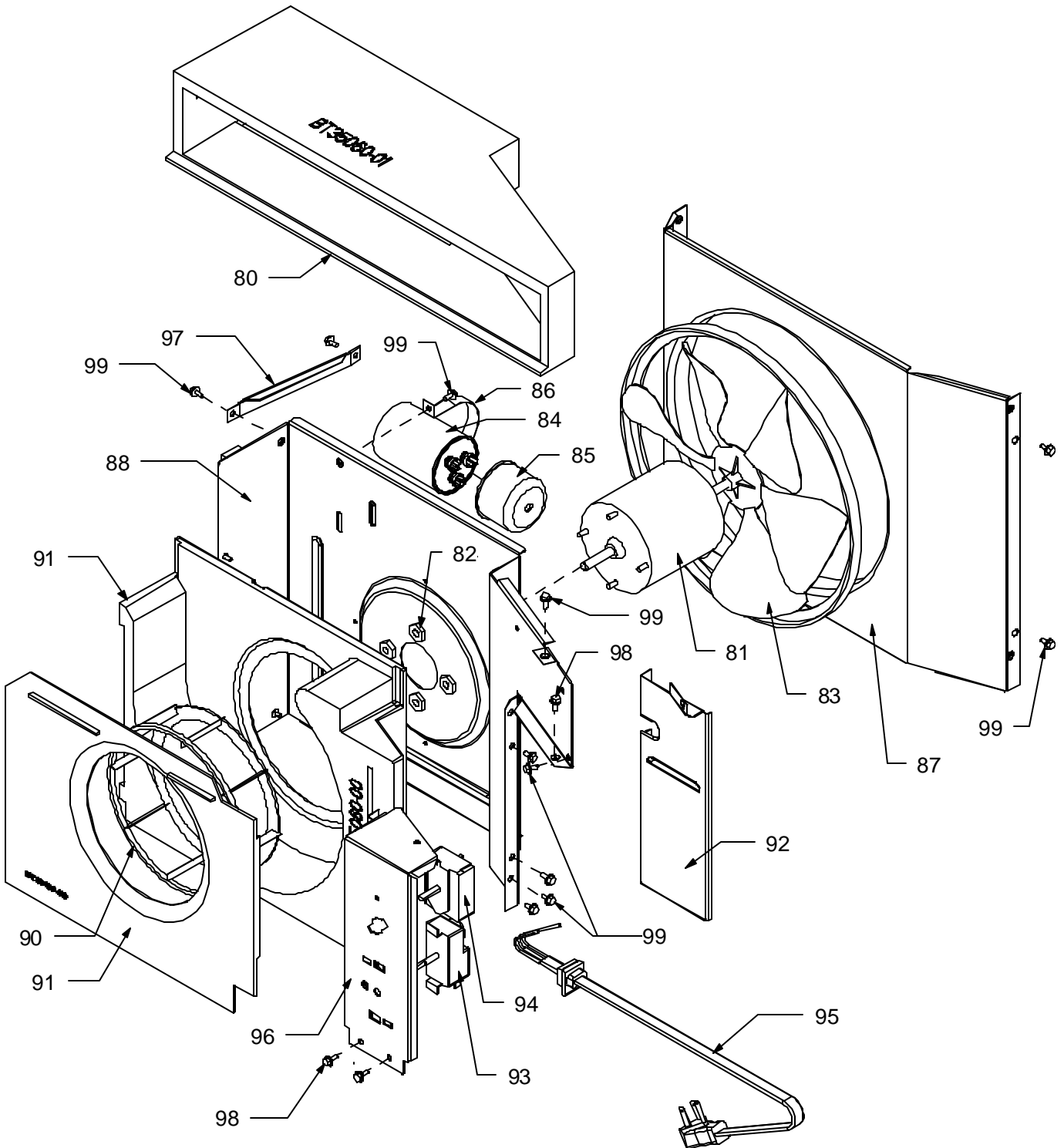
Image 1:

| | | | | | |
|----|------------|---|--|--|--|
| 81 | BT3574101 | FRAME, SHUTTER LH | | | |
| 82 | BT35755602 | GUIDE BAR (QTY 2) | | | |
| 83 | BT3575601 | LOUVER W/O THUMB CONTROL (QTY 2) | | | |
| 84 | BT3575600 | LOUVER W/THUMB CONTROL (QTY 4) | | | |
| 85 | BT3575101 | FILTER | | | |
| 86 | BT3575100 | FRAME-FRONT Control Graphics are printed on Frame | | | |
| 87 | BT1393500 | SCREW,#8 X 3/8,1/4 (QTY AR) | | | |
| 88 | BT1393501 | SCREW,#8 X 3/8,BLUNT (QTY AR) | | | |
| 89 | 3003104 | GUIDE, BOTTOM | | | |
| 90 | BT1392602 | FOAM GASKET, .250 (QTY 3) | | | |
| 91 | BT3075631 | RAC KNOB COOL GRY (QTY 2) | | | |
| 92 | BT1392603 | FOAM GASKET, .375 | | | |
| 93 | BT1392627 | GASKET 11.300 X 3.00 | | | |
| 94 | BT1392626 | GASKET 18.388 X 4.75 | | | |
| 95 | 3003005P | TOP GUIDE, PAINTED | | | |
| 96 | 3550800 | WRAPPER ASSEMBLY | | | |
| 96 | 3502000P | WRAPPER, PAINTED | | | |
| 97 | BT3574100 | FRAME, SHUTTER RH | | | |
| 98 | BT3574200 | SHUTTER | | | |
| 99 | 3084005 | INSTALLATION BRKT ASSY Includes: Insert and Bracket | | | |
| NS | BT1393207 | INSTALLATION HARDWARE Includes: Leveler Guide(1), #8x3/8" Screw(6), #8x3/4 Slot Screw(6), #8x3/4" Slot Screw(2) and Support Bracket(2) | | | |

Expanded Model and Color Nomenclature

| | |
|------------------|-----------|
| M1 - AC05080M1D | P1225001R |
| M2 - AC06087M1D | P1225002R |
| M3 - AC07087M1D | P1225003R |
| M4 - AC05080M1D | P1225013R |
| M5 - AC06087M1D | P1225017R |
| M6 - AC07087M1D | P1225018R |
| M7 - AC06090M1D | P1225020R |
| M8 - AC07087M1D | P1225021R |
| M9 - AC07087M1D | P1225027R |
| M10 - AC05090M1D | P1225034R |

Center Partition Assy



Center Partition Assy

| Ref. Part No: | Part No: | Description: | Ref. Part No: | Part No: | Description: |
|---------------|----------|--------------|---------------|----------|--------------|
|---------------|----------|--------------|---------------|----------|--------------|

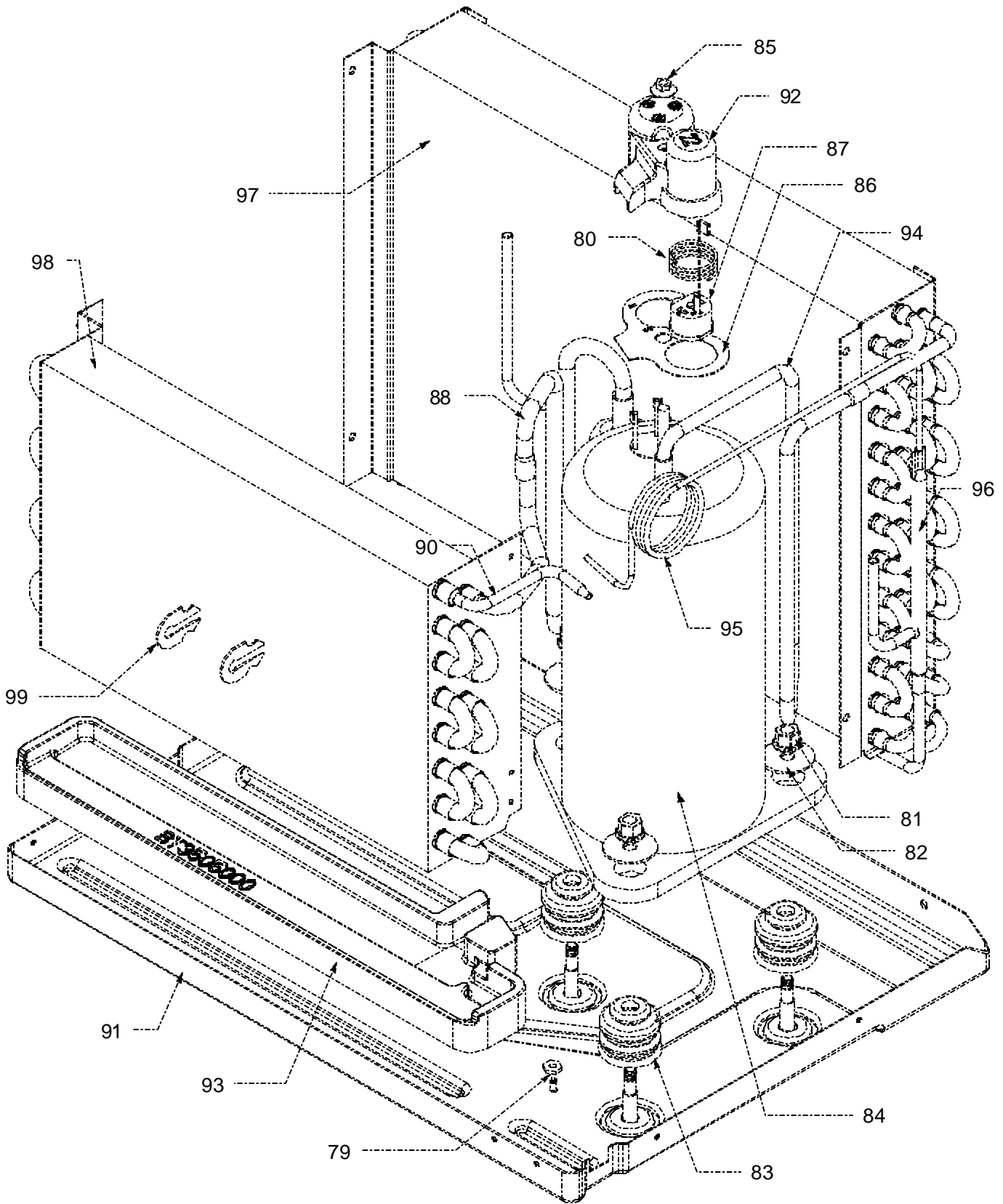
Image 1:

| | | |
|----|-----------|--|
| 80 | BT3506001 | BLOWER TOP |
| 81 | BT1340022 | MOTOR |
| 82 | BT1393001 | LOCKNUT NYLON, #8, 8 (QTY 4) |
| 83 | BT1086707 | FAN BLADE, 11.25" |
| 84 | BT9457003 | CAPACITOR, 25/10/370 (M5) |
| 84 | BT9457001 | CAPACITOR, 35/10/370 (M1, M2, M3, M6, M7, M8, M9, M10) |
| 84 | BT9457000 | CAPACITOR,20/10/370 (M4) |
| 85 | BT1392623 | BOOT, CAPACITOR |
| 86 | 3084801 | CAPACITOR STRAP |
| 87 | 3511000P | SHROUD, FAN |
| 88 | 3501000 | PARTITION, CENTER |
| 90 | BT1368015 | BLWR WHEEL 7.5X2 CW |
| 91 | BT3506000 | BLOWER HOUSING |
| 91 | BT3510000 | BLOWER PARTITION |
| 92 | 3504001 | SHIELD CONTROL |
| 93 | BT1370801 | THERMOSTAT |
| 94 | BT1370803 | POWER SWITCH,5 POSITION |
| 95 | BT1210007 | POWER CORD, 115V, 10 |
| 96 | 3520000 | PANEL, CONTROL |
| 97 | 3501001 | BRACE |
| 98 | BT1393501 | SCREW,#8 X 3/8,BLUNT (QTY AR) |
| 99 | BT1393500 | SCREW,#8 X 3/8,1/4 (QTY AR) |

Expanded Model and Color Nomenclature

| | |
|------------------|-----------|
| M1 - AC05080M1D | P1225001R |
| M2 - AC06087M1D | P1225002R |
| M3 - AC07087M1D | P1225003R |
| M4 - AC05080M1D | P1225013R |
| M5 - AC06087M1D | P1225017R |
| M6 - AC07087M1D | P1225018R |
| M7 - AC06090M1D | P1225020R |
| M8 - AC07087M1D | P1225021R |
| M9 - AC07087M1D | P1225027R |
| M10 - AC05090M1D | P1225034R |

Compressor and Tubing



Compressor and Tubing

| Ref. Part No: | Part No: | Description: | Ref. Part No: | Part No: | Description: |
|-----------------|-----------|---------------------------------------|--|-----------|---|
| <i>Image 1:</i> | | | 96 | 3593804 | STRAINER ASSEMBLY (M4, M5, M6) |
| 79 | BT1393001 | LOCKNUT NYLON, #8, 8 | 96 | 3593805 | STRAINER ASSEMBLY (M7, M8, M9, M10) |
| 80 | BT1393705 | SPRING (M5, M6, M8, M9, M10) | 97 | 3596500 | CONDENSOR COIL (M4) |
| 80 | BT1393708 | SPRING (M4, M7) | 97 | 3596501 | CONDENSOR COIL (M3, M6) |
| 81 | BT1393007 | NYLON LOCKNUT (QTY 3) | 97 | 3596502 | CONDENSOR COIL (M2) |
| 82 | BT1392904 | WASHER, FENDER 1.25 (QTY 3) | 97 | 3596503 | CONDENSOR COIL (M1) |
| 83 | BT1339500 | GROMMET, COMPRESSOR (QTY 3) | 97 | 3596504 | CONDENSOR COIL (M5) |
| 84 | BT9266100 | COMPRESSOR (M1) | 97 | 3596505 | CONDENSOR COIL (M8, M9) |
| 84 | BT9266112 | COMPRESSOR (M3) | 97 | 3596506 | CONDENSOR COIL (M7) |
| 84 | BT9266116 | COMPRESSOR (M2) | 97 | 3596507 | CONDENSOR COIL (M10) |
| 84 | BT9266219 | COMPRESSOR (M5) | 98 | 3596000 | EVAPORATOR COIL (M1, M3, M4, M6, M8, M9, M10) |
| 84 | BT9266220 | COMPRESSOR (M6, M8, M9) | 98 | 3596001 | EVAPORATOR COIL (M2, M7) |
| 84 | BT9266302 | COMPRESSOR (M4) | 98 | 3596003 | EVAPORATOR COIL (M5) |
| 84 | BT9266308 | COMPRESSOR (M7) | 99 | BT1531802 | CLIP, BULB (QTY 2) |
| 84 | BT9266309 | COMPRESSOR (M10) | Expanded Model and Color Nomenclature | | |
| 85 | BT1393000 | NUT (M1, M2, M3) | M1 - AC05080M1D | P1225001R | |
| 85 | BT1393010 | NUT (M4, M7) | M2 - AC06087M1D | P1225002R | |
| 85 | BT1393008 | NUT (METRIC) (M5, M6, M8, M9, M10) | M3 - AC07087M1D | P1225003R | |
| 86 | BT1392604 | GASKET (M1, M2, M3) | M4 - AC05080M1D | P1225013R | |
| 86 | BT1392619 | GASKET (M5, M6, M8, M9, M10) | M5 - AC06087M1D | P1225017R | |
| 86 | BT1392629 | GASKET (M4, M7) | M6 - AC07087M1D | P1225018R | |
| 87 | BT1243714 | OVERLOAD SWITCH, MRA (M3) | M7 - AC06090M1D | P1225020R | |
| 87 | BT1243723 | OVERLOAD SWITCH, MRA (M2) | M8 - AC07087M1D | P1225021R | |
| 87 | BT1243726 | OVERLOAD SWITCH, MRA (M4) | M9 - AC07087M1D | P1225027R | |
| 87 | BT1243708 | OVERLOAD SWITCH, MSP2 (M1) | M10 - AC05090M1D | P1225034R | |
| 87 | BT1243742 | OVERLOAD, MRA99811-1 (M10) | | | |
| 87 | BT1243727 | OVERLOAD; COMPRESSOR (M5) | | | |
| 87 | BT1243728 | OVERLOAD; COMPRESSOR (M6, M8, M9) | | | |
| 87 | BT1243739 | SWITCH, OVERLOAD (M7) | | | |
| 88 | 3593708 | ASM., SUCTION LINE (M10) | | | |
| 88 | 3593700 | SUCTION LINE ASSY (M1, M2, M3) | | | |
| 88 | 3593705 | SUCTION LINE ASSY (M5, M6, M8, M9) | | | |
| 88 | 3593706 | SUCTION LINE ASSY (M4) | | | |
| 88 | 3593707 | SUCTION LINE ASSY (M7) | | | |
| 90 | 3593600 | LIQUID LINE | | | |
| 91 | 3500000P | BASE PAN Includes Compressor Studs | | | |
| 92 | BT3055504 | CAP, COMPRESSOR (M5, M6, M8, M9, M10) | | | |
| 92 | BT3055502 | CAP-COMP (M4, M7) | | | |
| 92 | BT3055505 | PLASTIC COVER (M1, M2, M3) | | | |
| 93 | BT3505000 | STYROFOAM DRAIN PAN | | | |
| 94 | 3593606 | DISCHARGE TUBING (M3) | | | |
| 94 | 3593622 | DISCHARGE TUBING (M1, M2) | | | |
| 94 | 3593625 | DISCHARGE TUBING (M6) | | | |
| 94 | 3593628 | DISCHARGE TUBING (M5) | | | |
| 94 | 3593634 | DISCHARGE TUBING (M4) | | | |
| 94 | 3593636 | DISCHARGE TUBING (M8, M9) | | | |
| 94 | 3593638 | DISCHARGE TUBING (M7) | | | |
| 94 | 3593640 | DISCHARGE TUBING (M10) | | | |
| 95 | 3593608 | CAPILLARY TUBE (M3) | | | |
| 95 | 3593612 | CAPILLARY TUBE (M2) | | | |
| 95 | 3593616 | CAPILLARY TUBE (M1) | | | |
| 95 | 3593629 | CAPILLARY TUBE (M5, M7) | | | |
| 95 | 3593631 | CAPILLARY TUBE (M6, M8, M9) | | | |
| 95 | 3593633 | CAPILLARY TUBE (M4) | | | |
| 95 | 3593644 | CAPILLARY TUBE (M10) | | | |
| 96 | 3593803 | STRAINER ASSEMBLY (M1, M2, M3) | | | |