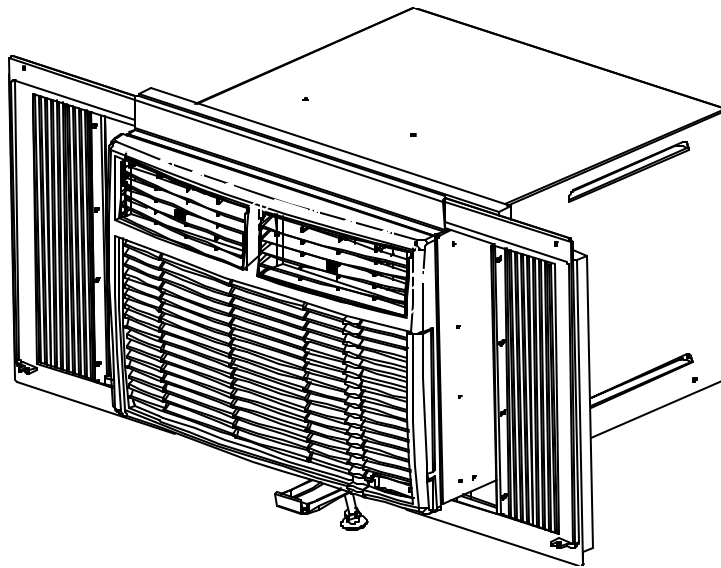


Models and manufacturing  
numbers in this manual

AC08090A1D	P1225022R
AC08090A1D	P1225036R
AE08090A1D	P1225035R

# Parts

## 8000 Btu Room Air Conditioners



This manual is to be used by qualified appliance technicians only. Amana does not assume any responsibility for property damage or personal injury for improper service procedures done by an unqualified person.

**Amana**

RP4110014  
Revision 0  
June 2000

## Important Information

---

Amana is not responsible for personal injury or property damage resulting from improper service. Review all service information before beginning repairs.

Warranty service must be performed by an authorized technician, using authorized factory parts. If service is required after the warranty expires, Amana also recommends contacting an authorized technician and using authorized factory parts. Locate an authorized technician by calling 800-NATLSVC (800-628-5782).

For assistance within the U.S.A. contact:

Consumer Affairs Department  
Amana  
2800 220th Trail  
Amana IA 52204-0001  
319-622-5511--Telephone  
319-622-2977--Facsimile

For assistance outside the U.S.A. contact:

International Division  
Amana  
2800 220th Trail  
Amana IA 52204-0001  
USA  
319-622-5511--Telephone  
319-622-8595--Facsimile

# Index

Functional Parts List	.....	5
Illustration and Parts	.....	6 - 11

*Views shown are for parts illustrations only, not servicing procedures.*

### Text Codes:

AR - As Required

NA - Not Available

NS - Not Shown

00000000 - See Note

QTY - Quantity Example (QTY 3) (If Quantity not shown, Quantity = 1)

M - Model Example (M1) (If M Code not shown, then part is used on all Models)

### Expanded Model and Color Nomenclature:

Example	
M1 - Model#1	P _____
M2 - Model#2	P _____
M3 - Model#3	P _____



# Functional Parts

## Part

**No:**            **Description:**

---

BT9457001	CAPACITOR (M1)
BT9457005	CAPACITOR (M2, M3)
BT1243747	FUSELINK (M3)
BT1420021	HEATER ASSY (M3) WHEN ORDERING HEATER ASSY IT IS NOT NECESSARY TO ORDER LIMIT SWITCH AND FUSELINK.
BT1243735	LIMIT SWITCH (M3)
BT1340026	MOTOR (M1)
BT1340001C	MOTOR (M2, M3)
BT1210003	POWER CORD
BT1370803	POWER SWITCH (M1, M2)
BT1370832	POWER SWITCH (M3)
BT1370807	THERMOSTAT (M3)
BT1370801	THERMOSTAT (M1, M2)

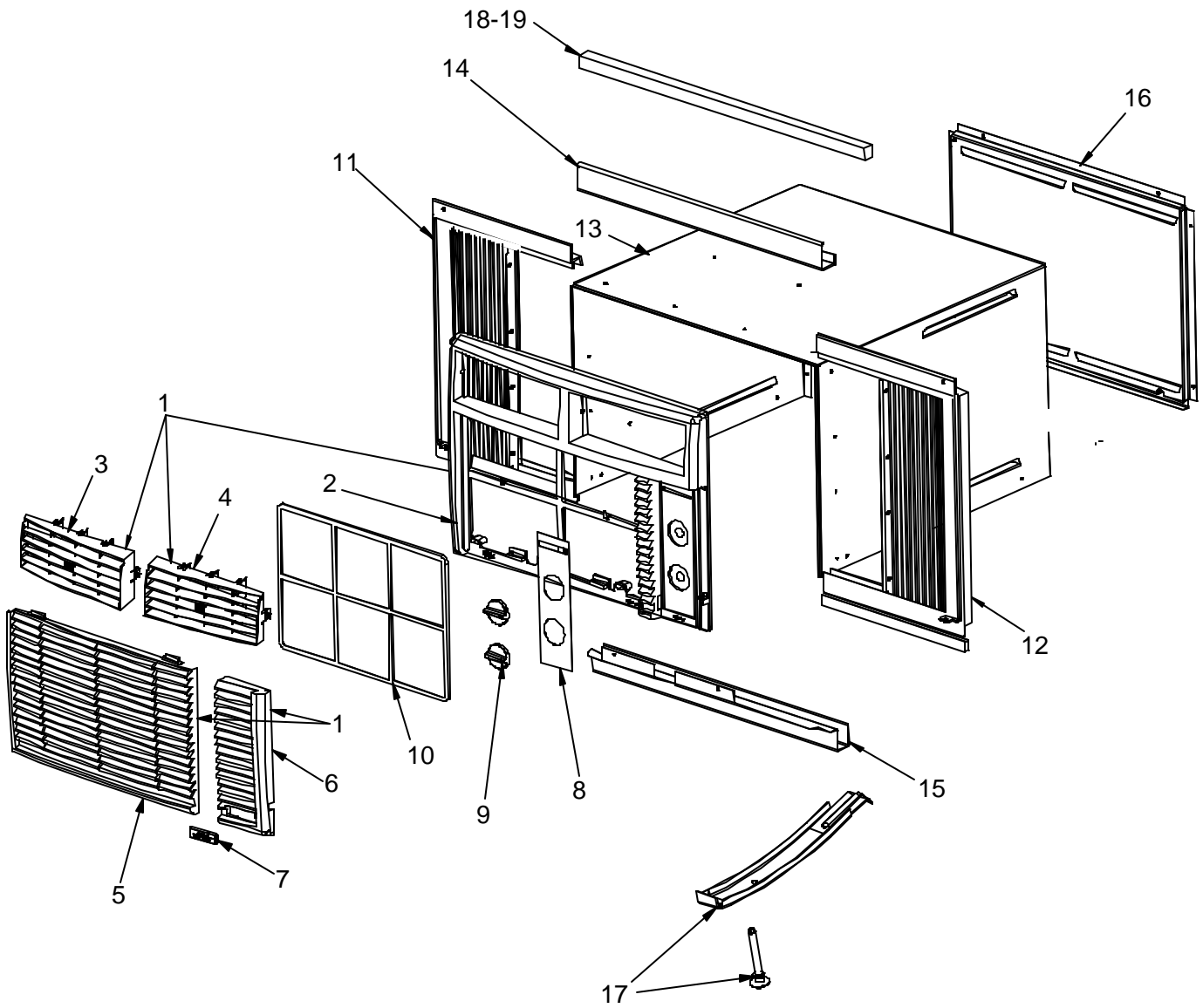
## SPECIAL PARTS

3093200S	HARDSTART KIT
RACIO21	INSTALLATION INSTRUCTION
BT1393204	KIT HARDWARE
RP4110014	MANUAL, PARTS
RS4110003	MANUAL, SERVICE
RACOM06A	USE & CARE MANUAL

## Expanded Model and Color Nomenclature

M1 - AC08090A1D	P1225022R
M2 - AC08090A1D	P1225036R
M3 - AE08090A1D	P1225035R

# Outer Case Assy



# Outer Case Assy

Ref. Part No:	Ref. Part No:	Description:	Description:
---------------	---------------	--------------	--------------

Image 1:

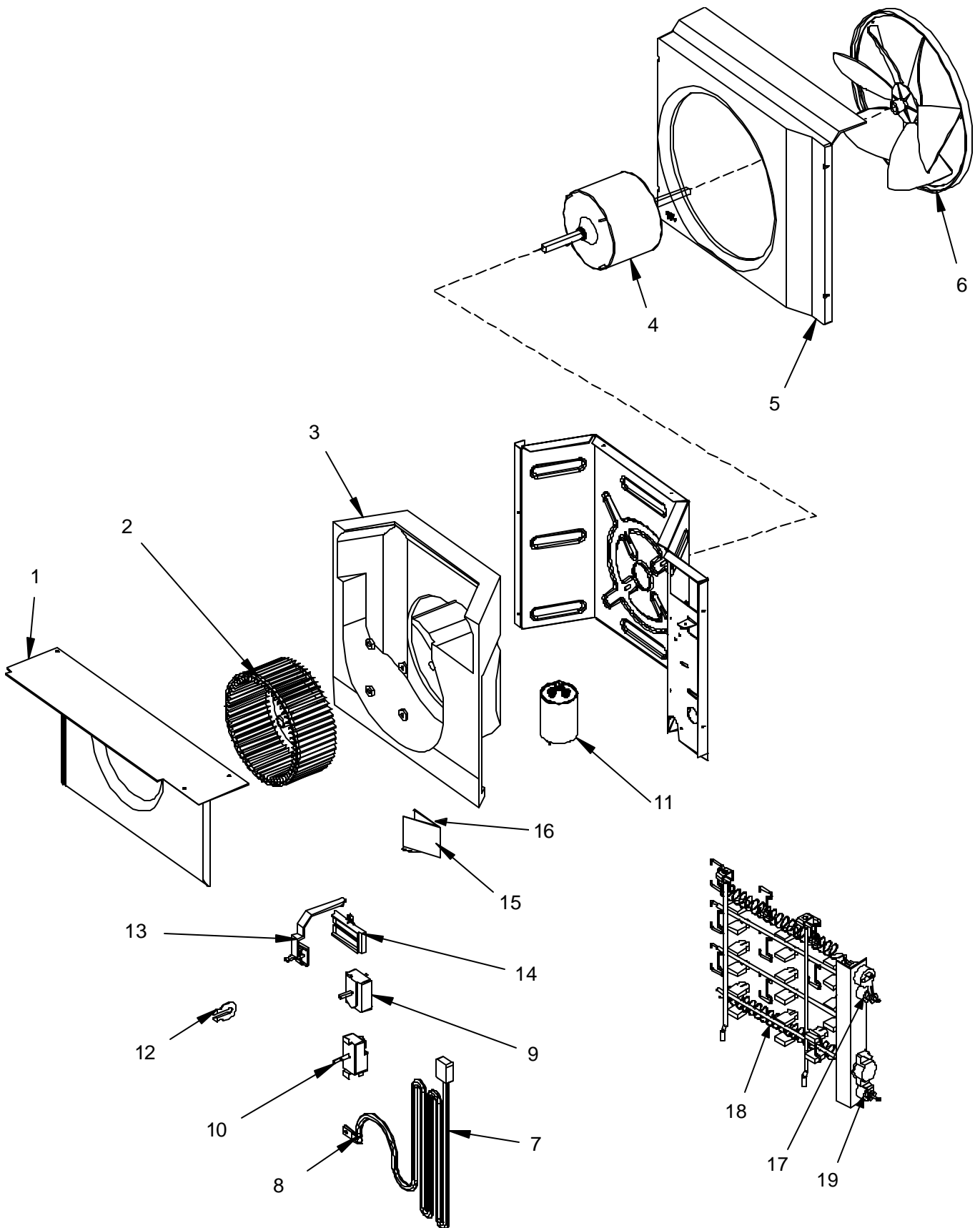
1	BT3075025	FRONT ASSY INCLUDES 2, 3, 4, 5, AND 6 ONLY.
2	BT3075100	FRAME - FRONT ORDER CONTROL LABEL ALSO
3	BT3075412	LEFT VENT ASSY
4	BT3075410	RIGHT VENT ASSY
5	BT3075200	GRILL - FRONT
6	BT3075300	DOOR - CONTROL ORDER LOGO ALSO
7	BT3075920	LOGO
8	BT14933281	CONTROL LABEL (M1, M2)
8	BT14933356	CONTROL LABEL (M3)
9	BT3075631	KNOB
10	BT1419202	AIR FILTER
11	BT3074117	LEFT SHUTTER ASSY
12	BT3074116	RIGHT SHUTTER ASSY
13	3050800	WRAPPER ASSY
14	3003003P	TOP GUIDE
15	3003103P	BOTTOM GUIDE
16	3002200P	REAR LOUVERED PANEL
17	3084003	SUPPORT BRACKET
18	BT1392600	FOAM .75 X 1.50 (3.5 FT)
19	BT1392601	FOAM .25 X .50 (7.0 FT)

## Expanded Model and Color Nomenclature

M1 - AC08090A1D	P1225022R
M2 - AC08090A1D	P1225036R
M3 - AE08090A1D	P1225035R

Note: If adjusting hardware is required when ordering support bracket, order hardware kit also.

# Fan and Control Assy



# Fan and Control Assy

Ref. Part No:	Ref. Part No:	Description:	Description:
---------------	---------------	--------------	--------------

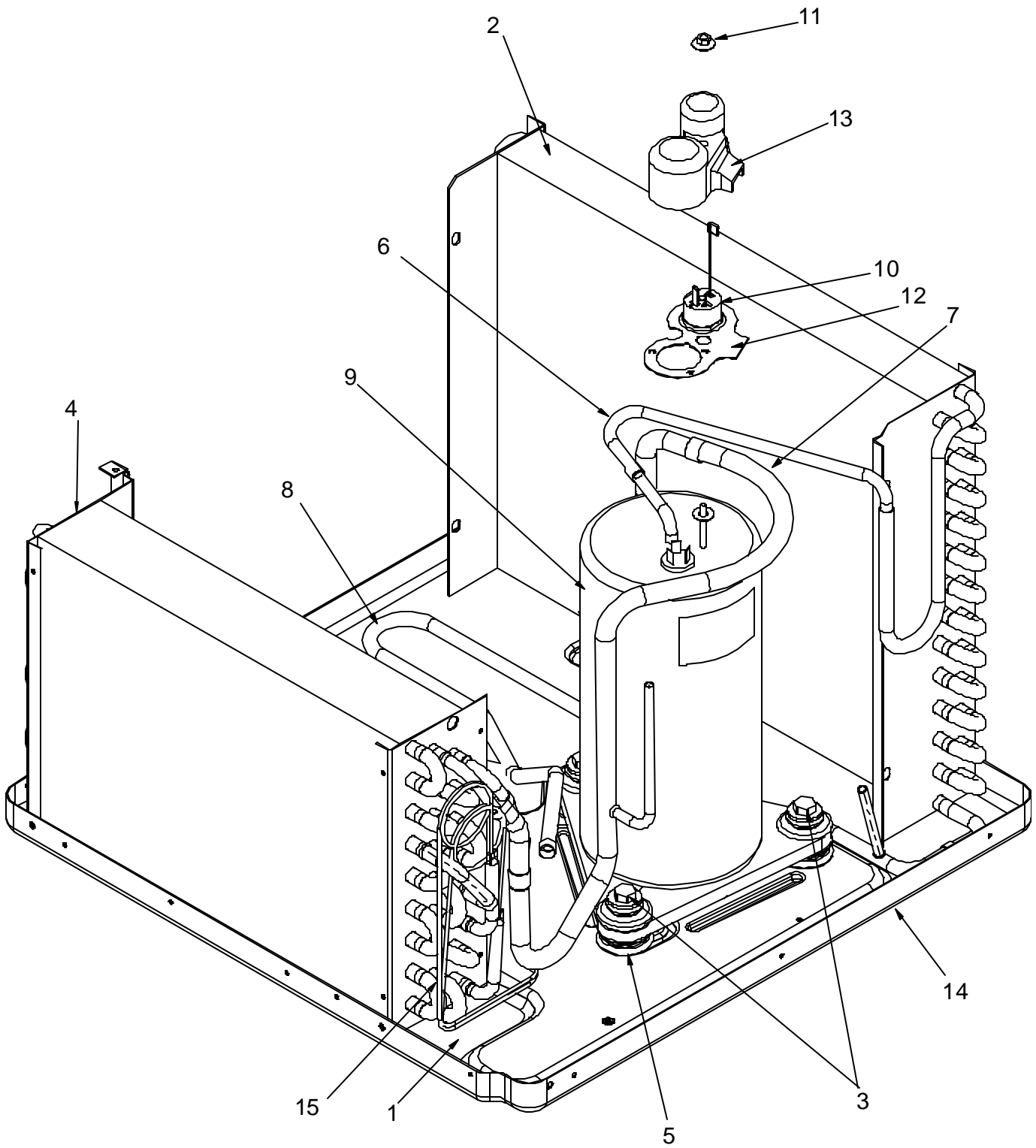
Image 1:

1	BT3010000	BLOWER PARTITION
2	BT1368000	BLOWER WHEEL
3	BT3006000	BLOWER SCROLL
4	BT1340001C	MOTOR (M2, M3)
4	BT1340026	MOTOR (M1)
5	BT3011000	FAN SHROUD
6	BT1086700	FAN BLADE (M2, M3)
6	BT1086705	FAN BLADE (M1)
7	BT1210003	POWER CORD
8	BT1393401	STRAIN RELIEF
9	BT1370803	POWER SWITCH (M1, M2)
9	BT1370832	POWER SWITCH (M3)
10	BT1370801	THERMOSTAT (M1, M2)
10	BT1370807	THERMOSTAT (M3)
11	BT9457001	CAPACITOR (M1)
11	BT9457005	CAPACITOR (M2, M3)
12	BT1531802	BULB CLIP (QTY 2)
13	BT3076220	LEVER FRESH AIR DOOR ORDER SLIDE ALSO
14	BT3076302	SLIDE FRESH AIR DOOR ORDER LEVER ALSO
15	BT3076100	FRESH AIR DOOR ORDER GASKET ALSO
16	BT1392611	GASKET FRESH AIR DOOR
17	BT1243747	FUSELINK (M3)
18	BT1420021	HEATER ASSY (M3) WHEN ORDERING HEATER ASSY IT IS NOT NECESSARY TO ORDER LIMIT SWITCH AND FUSELINK.
19	BT1243735	LIMIT SWITCH (M3)
NS	3093200S	HARDSTART KIT

## Expanded Model and Color Nomenclature

M1 - AC08090A1D	P1225022R
M2 - AC08090A1D	P1225036R
M3 - AE08090A1D	P1225035R

# Compressor Assy



# Compressor Assy

Ref. Part No:	Ref. Part No:	Description:	Description:
---------------	---------------	--------------	--------------

Image 1:

1	BT3005000	DRAIN PAN
2	3096509	COND COIL TUBING ASSY
3	BT1393704	BOLT - COMP (QTY 3)
4	3096038	EVAP COIL TUBING ASSY (M1, M2)
5	3096043	EVAP COIL TUBING ASSY (M3)
5	BT1339509	GROMMET - COMP (QTY 3)
6	30936211	DISCHARGE LINE
7	3093722	SUCTION LINE ASSY
8	3093859	LIQUID LINE ASSY
9	BT9266112	COMPRESSOR
10	BT1243714	OVERLOAD
11	BT1393000	NUT
12	BT1392604	GASKET COMP CAP
13	BT3055505	CAP COMPRESSOR
14	3050210S	BASE PAN ASSY
15	3093852	CAP TUBE ASSY

## Expanded Model and Color Nomenclature

M1 - AC08090A1D	P1225022R
M2 - AC08090A1D	P1225036R
M3 - AE08090A1D	P1225035R

Note: If replacing basepan on older models it will be necessary to order new compressor bolts. Evap coil tubing assy includes cap tube assy. For models with no cap tube assy listed cap tube is located in the liquid line assy.