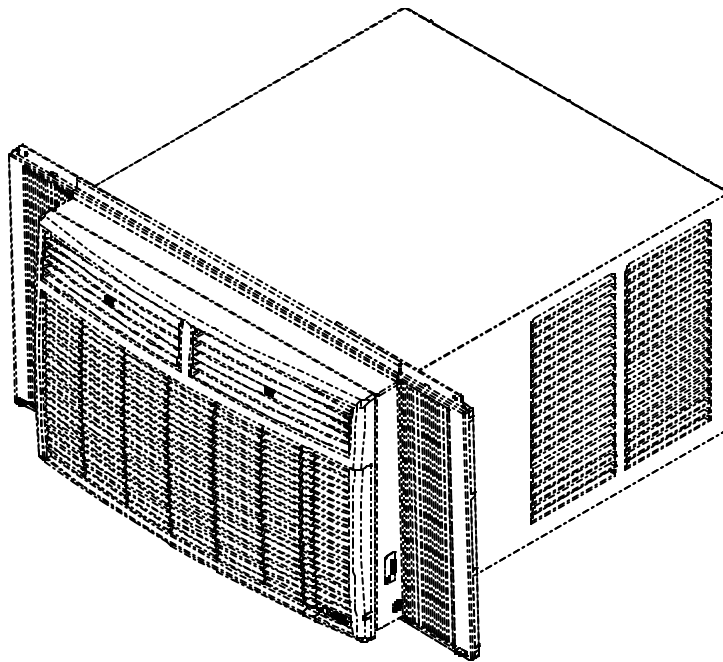


Models and manufacturing
numbers in this manual

AC12090C1D	P1225006R
AC12090C1D	P1225023R
AE12090C2D	P1225026R

Parts

12000 Btu Room Air Conditioners



This manual is to be used by qualified appliance technicians only. Amana does not assume any responsibility for property damage or personal injury for improper service procedures done by an unqualified person.

Amana

RP4110017
Revision 0
June 2000

Important Information

Amana is not responsible for personal injury or property damage resulting from improper service. Review all service information before beginning repairs.

Warranty service must be performed by an authorized technician, using authorized factory parts. If service is required after the warranty expires, Amana also recommends contacting an authorized technician and using authorized factory parts. Locate an authorized technician by calling 800-NATLSVC (800-628-5782).

For assistance within the U.S.A. contact:

Consumer Affairs Department
Amana
2800 220th Trail
Amana IA 52204-0001
319-622-5511--Telephone
319-622-2977--Facsimile

For assistance outside the U.S.A. contact:

International Division
Amana
2800 220th Trail
Amana IA 52204-0001
USA
319-622-5511--Telephone
319-622-8595--Facsimile

Index

Functional Parts List	5
Illustration and Parts	6 - 11

Views shown are for parts illustrations only, not servicing procedures.

Text Codes:

AR - As Required

NA - Not Available

NS - Not Shown

00000000 - See Note

QTY - Quantity Example (QTY 3) (If Quantity not shown, Quantity = 1)

M - Model Example (M1) (If M Code not shown, then part is used on all Models)

Expanded Model and Color Nomenclature:

Example	
M1 - Model#1	P _____
M2 - Model#2	P _____
M3 - Model#3	P _____

Functional Parts

Part

No: **Description:**

BT9457003	CAPACITOR (M1)
BT9457001	CAPACITOR (M2)
BT9457014	CAPACITOR (M3)
BT9266104	COMPRESSOR (M1)
BT9266118	COMPRESSOR (M2)
BT9266119	COMPRESSOR (M3)
BT1243734	FUSE LINK (M3)
BT1420007	HEATER ASSY (M3)
BT1243735	LIMIT SWITCH (M3)
BT1340002	MOTOR (M1, M2)
BT1340003	MOTOR (M3)
BT1243702	OVERLOAD (M1)
BT1243740	OVERLOAD (M2)
BT1243741	OVERLOAD (M3)
BT1210003	POWER CORD (M1, M2)
BT1210006	POWER CORD (M3)
BT1370803	POWER SWITCH (M1, M2)
BT1370831	POWER SWITCH (M3)
BT1370801	THERMOSTAT (M1, M2)
BT1370807	THERMOSTAT (M3)

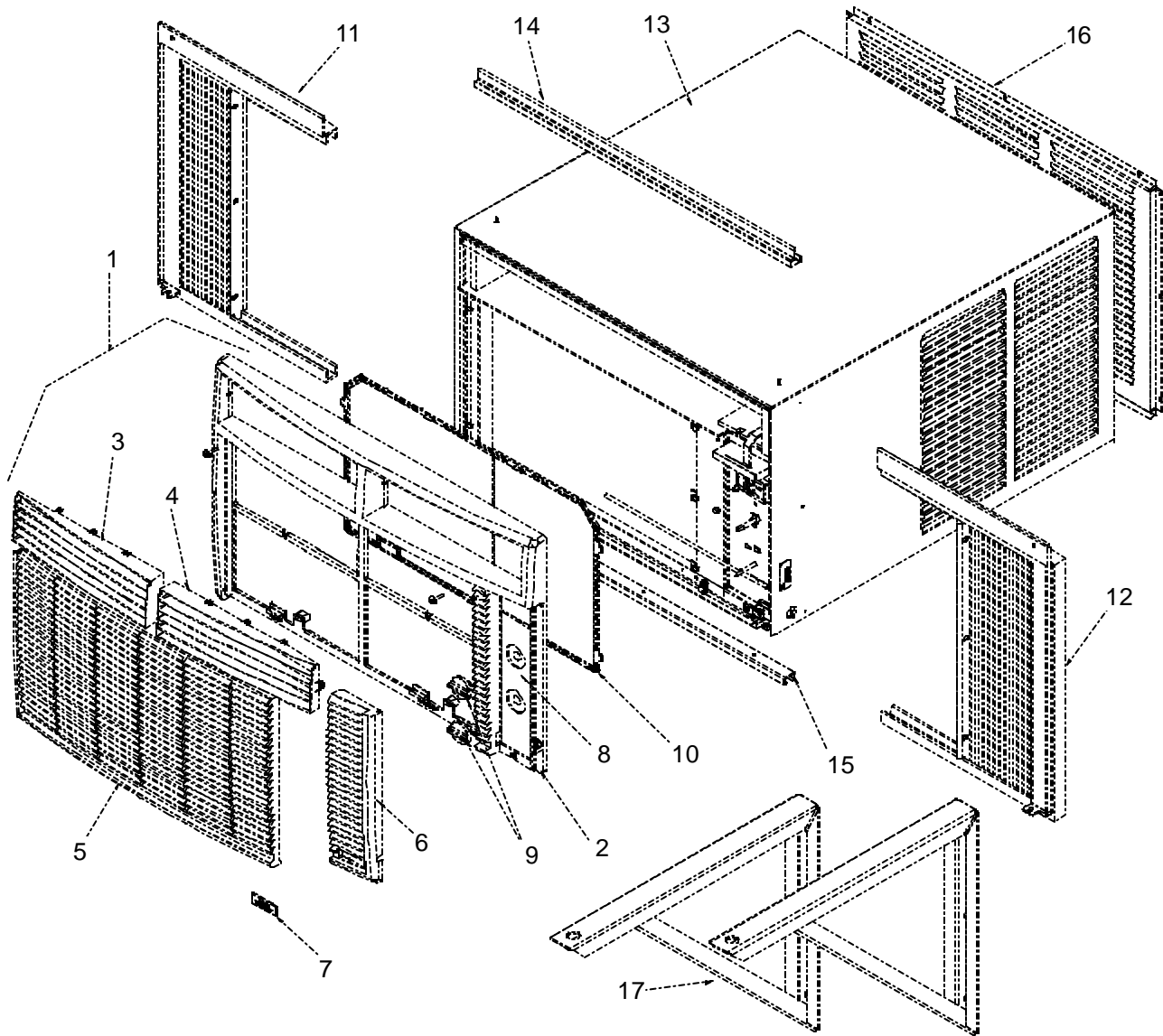
SPECIAL PARTS

RP4110017	MANUAL-PARTS
RS4110004	MANUAL-SERVICE
RAC-OM-06-	MANUAL-USE AND CARE
RT4110008	SHEET-TECH

Expanded Model and Color Nomenclature

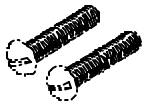
M1 - AC12090C1D	P1225006R
M2 - AC12090C1D	P1225023R
M3 - AE12090C2D	P1225026R

Outer Case Assy

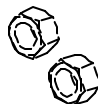
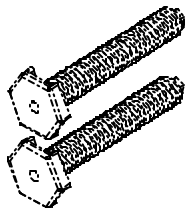
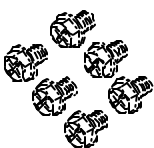


REF NO 18 HARDWARE KIT

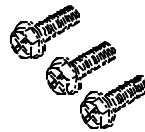
#8x1 1/4



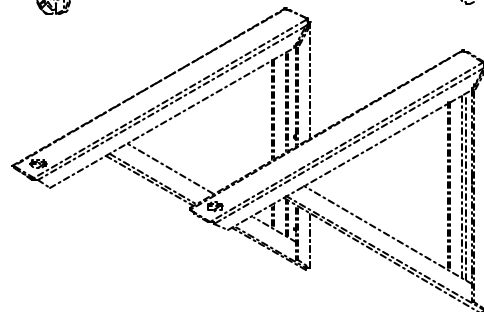
#8x1/4



#8x7/8



1/4 20 x 1/2



Outer Case Assy

Ref. Part No:	Ref. Part No:	Description:	Description:
---------------	---------------	--------------	--------------

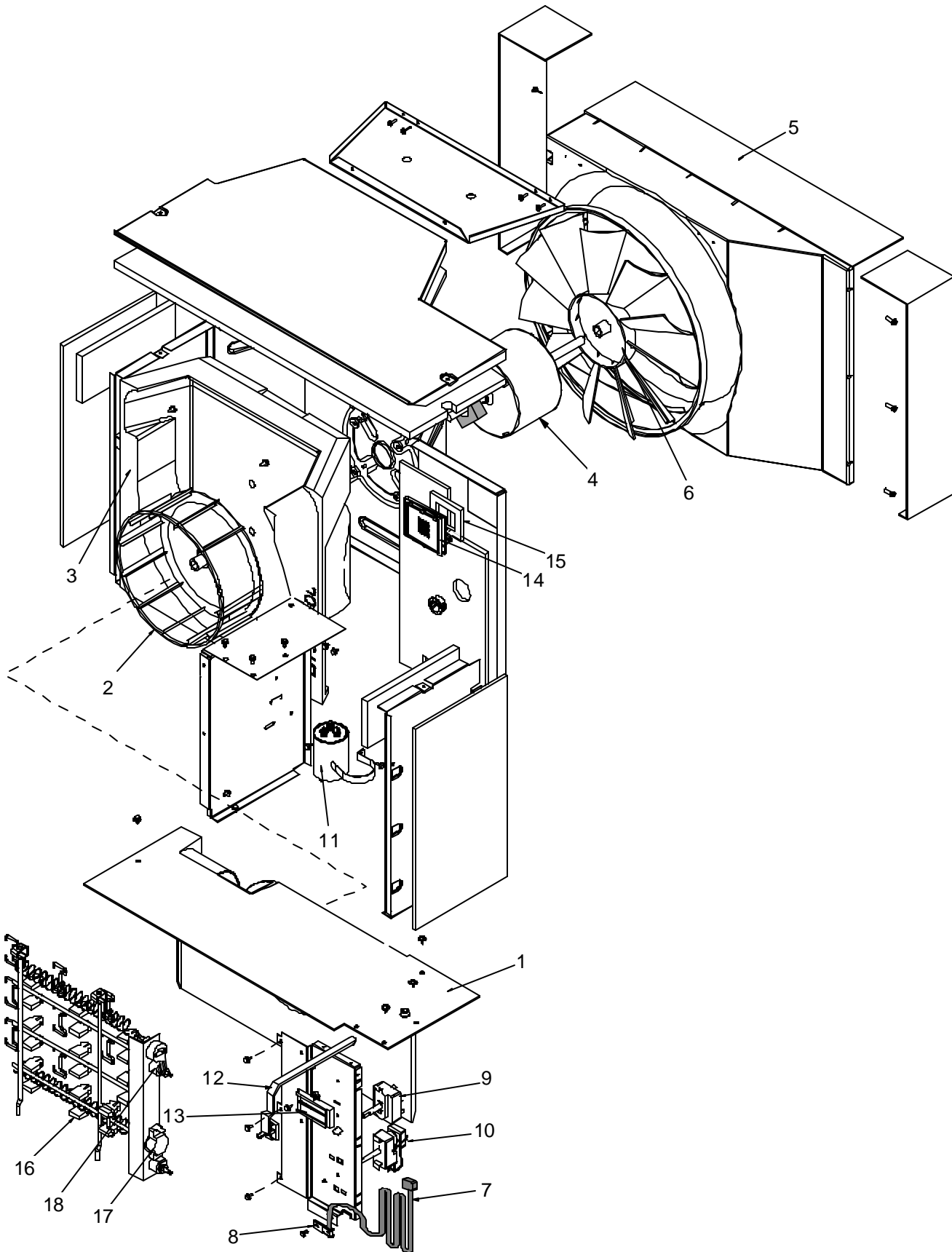
Image 1:

1	BT3075029	FRONT ASSY IF COMPLETE FRONT IS REQUIRED, ORDER FRONT ASSY, CONTROL LABEL, LOGO AND FILTER.
2	BT3075102	FRAME - FRONT WHEN ORDERING FRONT FRAME ONLY, ORDER CONTROL LABEL ALSO.
3	BT3075413	LEFT VENT ASSY
4	BT3075411	RIGHT VENT ASSY
5	BT3075202	GRILL - FRONT
6	BT3075302	DOOR - CONTROL WHEN ORDERING CONTROL DOOR ONLY, ORDER LOGO ALSO.
7	BT3075920	LOGO
8	BT14933282	CONTROL LABEL (M1, M2)
8	BT14933283	CONTROL LABEL (M3)
9	BT3075631	KNOB (QTY 2)
10	BT1419201	AIR FILTER
11	BT3074113	LEFT SHUTTER ASSY
12	BT3074112	RIGHT SHUTTER ASSY
13	3050801S	WRAPPER ASSY INCLUDES WRAPPER, REAR LOUVRED PANEL, INSULATION AND TOP GUIDE.
14	3003002P	TOP GUIDE
15	3003102P	BOTTOM GUIDE
16	3002206P	REAR LOUVERED PANEL
17	3084002S	SUPPORT BRACKET IF ADJUSTING HARDWARE IS REQUIRED FOR SUPPORT BRACKET, ORDER SUPPORT BRACKET AND HARDWARE KIT.
18	BT1393205	KIT HARDWARE
NS	BT1392601	FOAM .25 X .50 (7.0 FT) (QTY AR)
NS	BT1392600	FOAM .75 X 1.50 (3.5 FT) (QTY AR)
NS	RACIO22	INSTALLATION INSTRUCTION
NS	RACOM06A	USE & CARE MANUAL

Expanded Model and Color Nomenclature

M1 - AC12090C1D	P1225006R
M2 - AC12090C1D	P1225023R
M3 - AE12090C2D	P1225026R

Fan and Control Assy



Fan and Control Assy

Ref. Part No:	Ref. Part No:	Description:	Description:
---------------	---------------	--------------	--------------

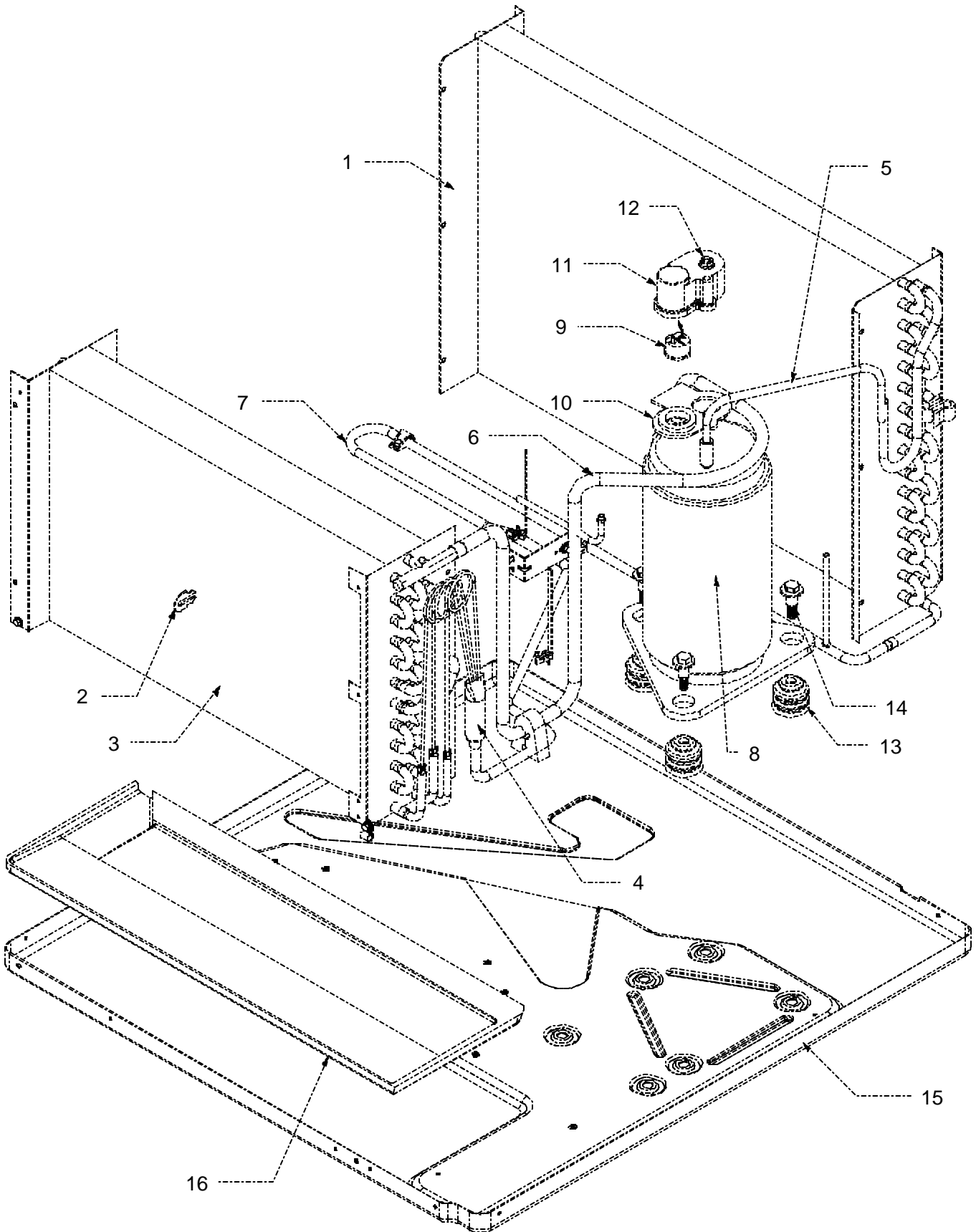
Image 1:

1	BT3010004	BLOWER PARTITION
2	BT1368002	BLOWER WHEEL
3	BT3006005	BLOWER SCROLL
4	BT1340002	MOTOR (M1, M2)
4	BT1340003	MOTOR (M3)
5	BT3011002	FAN SHROUD
6	BT1086706	FAN BLADE
7	BT1210003	POWER CORD (M1, M2)
7	BT1210006	POWER CORD (M3)
8	BT1393401	STRAIN RELIEF
9	BT1370803	POWER SWITCH (M1, M2)
9	BT1370831	POWER SWITCH (M3)
10	BT1370801	THERMOSTAT (M1, M2)
10	BT1370807	THERMOSTAT (M3)
11	BT9457001	CAPACITOR (M2)
11	BT9457003	CAPACITOR (M1)
11	BT9457014	CAPACITOR (M3)
12	BT3076219	LEVER FRESH AIR DOOR WHEN ORDERING FRESH AIR DOOR LEVER, ORDER SLIDE ALSO.
13	BT3076302	SLIDE FRESH AIR DOOR
14	BT3076100	FRESH AIR DOOR WHEN ORDERING FRESH AIR DOOR ALSO ORDER BT1392611 GASKET.
15	BT1392611	GASKET FRESH AIR DOOR
16	BT1420007	HEATER ASSY (M3)
17	BT1243735	LIMIT SWITCH (M3)
18	BT1243734	FUSE LINK (M3)
NS	3093200S	HARDSTART KIT

Expanded Model and Color Nomenclature

M1 - AC12090C1D	P1225006R
M2 - AC12090C1D	P1225023R
M3 - AE12090C2D	P1225026R

Compressor Assy



Compressor Assy

Ref. Part No:	Part No:	Description:	Ref. Part No:	Part No:	Description:
---------------	----------	--------------	---------------	----------	--------------

Image 1:

1	3096511	COND COIL TUBING ASSY (M1)
1	3096525	COND COIL TUBING ASSY (M2, M3)
2	BT1531802	BULB CLIP (QTY 2)
3	3096018	EVAP COIL TUBING ASSY (M1) EVAP COIL TUBING ASSY INCLUDES CAP TUBE ASSY.
3	3096037	EVAP COIL TUBING ASSY (M2, M3) EVAP COIL TUBING ASSY INCLUDES CAP TUBE ASSY.
4	3093854	CAP TUBE ASSY
5	30936257	DISCHARGE LINE (M1)
5	30936318	DISCHARGE LINE (M2, M3)
6	3093861	SUCTION LINE ASSY
7	3093860	LIQUID LINE ASSY FOR MODELS WITH NO CAP TUBE ASSY LISTED CAP TUBE IS LOCATED IN LIQUID LINE ASSY.
8	BT9266104	COMPRESSOR (M1)
8	BT9266118	COMPRESSOR (M2)
8	BT9266119	COMPRESSOR (M3)
9	BT1243702	OVERLOAD (M1)
9	BT1243740	OVERLOAD (M2)
9	BT1243741	OVERLOAD (M3)
10	BT1392604	GASKET COMP CAP
11	BT3055505	CAP COMPRESSOR
12	BT1393000	NUT
13	BT1339500	GROMMET - COMP (QTY 3)
14	BT1393704	BOLT - COMP (QTY 3)
15	3050209S	BASE PAN ASSY REPLACE COMPRESSOR BOLTS ON MODELS USING BT1393701 BOLTS.
16	BT3005002	DRAIN PAN

Expanded Model and Color Nomenclature

M1 - AC12090C1D	P1225006R
M2 - AC12090C1D	P1225023R
M3 - AE12090C2D	P1225026R