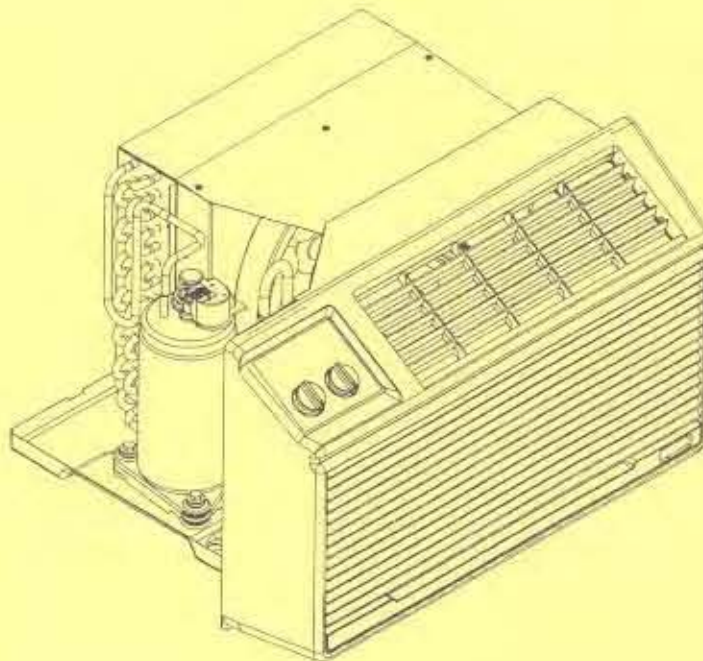


Parts

Through the Wall Room Air Conditioner

Models and manufacturing
numbers in this manual

PBC071A00A	P1224901R
PBC081A00A	P1224902R
PBC092A00A	P1224905R
PBC101A00A	P1224903R
PBC102A00A	P1224906R
PBC111A00A	P1224904R
PBC112A00A	P1224907R
PBE081A15A	P1224909R
PBE092A35A	P1224910R
PBE102A35A	P1224911R
PBE112A35A	P1224912R



This manual is to be used by qualified appliance technicians only. Amana does not assume any responsibility for property damage or personal injury for improper service procedures done by an unqualified person.

Amana

RP4110008
Revision 0
August 1999

Important Information

Amana is not responsible for personal injury or property damage resulting from improper service. Review all service information before beginning repairs.

Warranty service must be performed by an authorized technician, using authorized factory parts. If service is required after the warranty expires, Amana also recommends contacting an authorized technician and using authorized factory parts. Locate an authorized technician by calling 800-NATLSVC (800-628-5782).

For assistance within the U.S.A. contact:

Consumer Affairs Department
Amana
2800 220th Trail
Amana IA 52204-0001
319-622-5511--Telephone
319-622-2977--Facsimile

For assistance outside the U.S.A. contact:

International Division
Amana
2800 220th Trail
Amana IA 52204-0001
USA
319-622-5511--Telephone
319-622-8595--Facsimile

Index

Functional Parts List	4 - 5
Illustration and Parts	6 - 11

Views shown are for parts illustrations only, not servicing procedures.

Text Codes:

AR - As Required

NA - Not Available

NS - Not Shown

00000000 - See Note

QTY - Quantity Example (QTY 3) (If Quantity not shown, Quantity = 1)

M - Model Example (M1) (if M Code not shown, then part is used on all Models)

Expanded Model and Color Nomenclature:

Example

M1 - Model#1 P _____

M2 - Model#2 P _____

M3 - Model#3 P _____

Functional Parts

Part No:	Description:
BT9457004	CAPACITOR, 25/5/370 (M7, M11)
BT9457002	CAPACITOR, 25/7.5/37 (M1, M4)
BT9457011	CAPACITOR, 30/5/370 (M6, M10)
BT9457005	CAPACITOR, 35/7.5/37 (M2, M8)
BT9457007	CAPACITOR, 45/7.5/37 (M3)
BT9457013	CAPACITOR; 5/15/370 (M5, M9)
BT9266218	COMPRESSOR PANASONIC (M6, M10)
BT9266217	COMPRESSOR PANASONIC (M3)
BT9266112	COMPRESSOR TECUMSEH (M2, M8)
BT9266117	COMPRESSOR TECUMSEH (M5, M9)
BT9266113	COMPRESSOR TECUMSEH (M1)
BT9266105	COMPRESSOR TECUMSEH (M7, M11)
BT9266104	COMPRESSOR TECUMSEH (M4)
BT1420008	ELEMENT,HEAT 3.4KW 2 (M9, M10, M11)
BT1340009	MOTOR, 1/8HP, 115V (M1, M2, M3, M4)
BT1340013	MOTOR, 1/8HP, 115V (M8)
BT1340012	MOTOR, 1/6 HP, 230V (M9, M10, M11)
BT1340010	MOTOR, 1/6 HP, 230V (M5, M6, M7)
BT1243738	OVERLOAD SWITCH (M5, M9)
BT1243702	OVERLOAD SWITCH (M4)
BT1243725	OVERLOAD SWITCH (M6, M10)
BT1243724	OVERLOAD SWITCH (M3)
BT1243714	OVERLOAD SWITCH (M2, M8)
BT1243712	OVERLOAD SWITCH (M1)
BT1243703	OVERLOAD SWITCH (M7, M11)
BT1210003	POWER CORD, 115V, 15 (M1, M2, M3, M4, M8)
BT1210004	POWER CORD, 230V, 10 (M5, M6, M7)
BT1210006	POWER CORD,230V,20AM (M9, M10, M11)
BT1370814	POWER SWITCH, 5-POS. (M1, M2, M3, M4, M5, M6, M7)
BT1370812	SWITCH, ROCKER
BT1370833	SWITCH; 6-POS., ROTA (M8, M9, M10, M11)
BT1370829	THERMOSTAT (M9, M10, M11)
BT1370828	THERMOSTAT (M8)
BT1370826	THERMOSTAT; 115V (M1, M2, M3, M4)
BT1370827	THERMOSTAT; 230V (M5, M6, M7)

Functional Parts

Part

No: Description:

SPECIAL PARTS

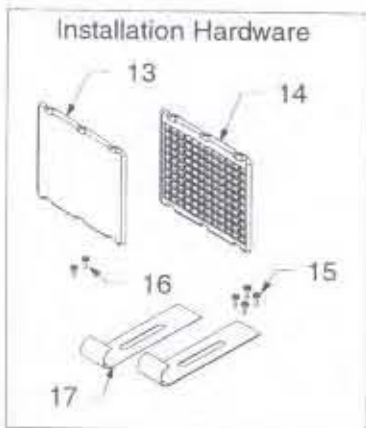
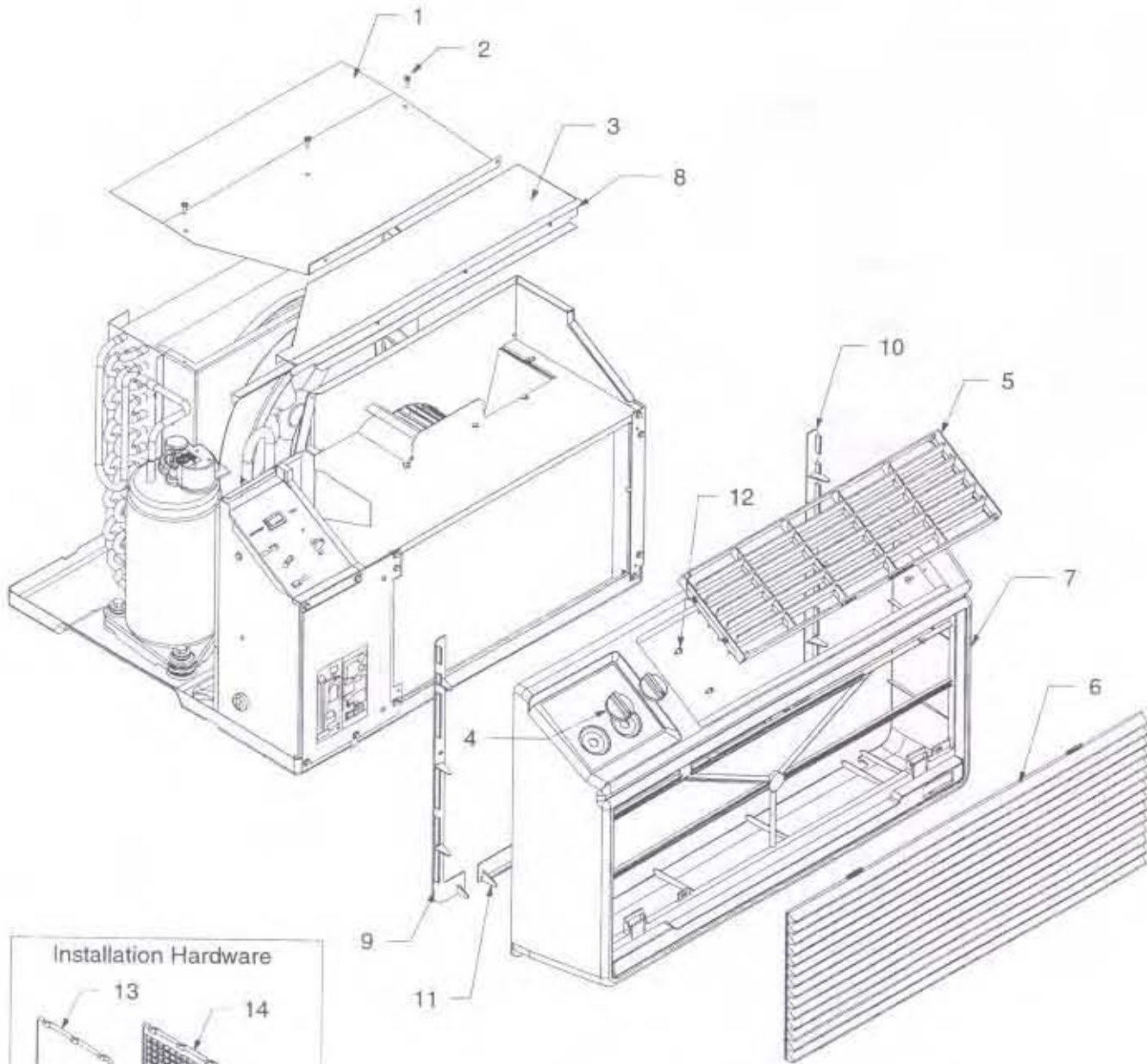
RP4110008 MANUAL-PARTS

RACIO23 MANUAL; TTW, I & O

Expanded Model and Color Nomenclature

M1 - PBC071A00A	P1224901R
M2 - PBC081A00A	P1224902R
M3 - PBC101A00A	P1224903R
M4 - PBC111A00A	P1224904R
M5 - PBC092A00A	P1224905R
M6 - PBC102A00A	P1224906R
M7 - PBC112A00A	P1224907R
M8 - PBE081A15A	P1224909R
M9 - PBE092A35A	P1224910R
M10 - PBE102A35A	P1224911R
M11 - PBE112A35A	P1224912R

Front Assembly



Front Assembly

Ref. Part

No: No:

Description:

Ref. Part

No: No:

Description:

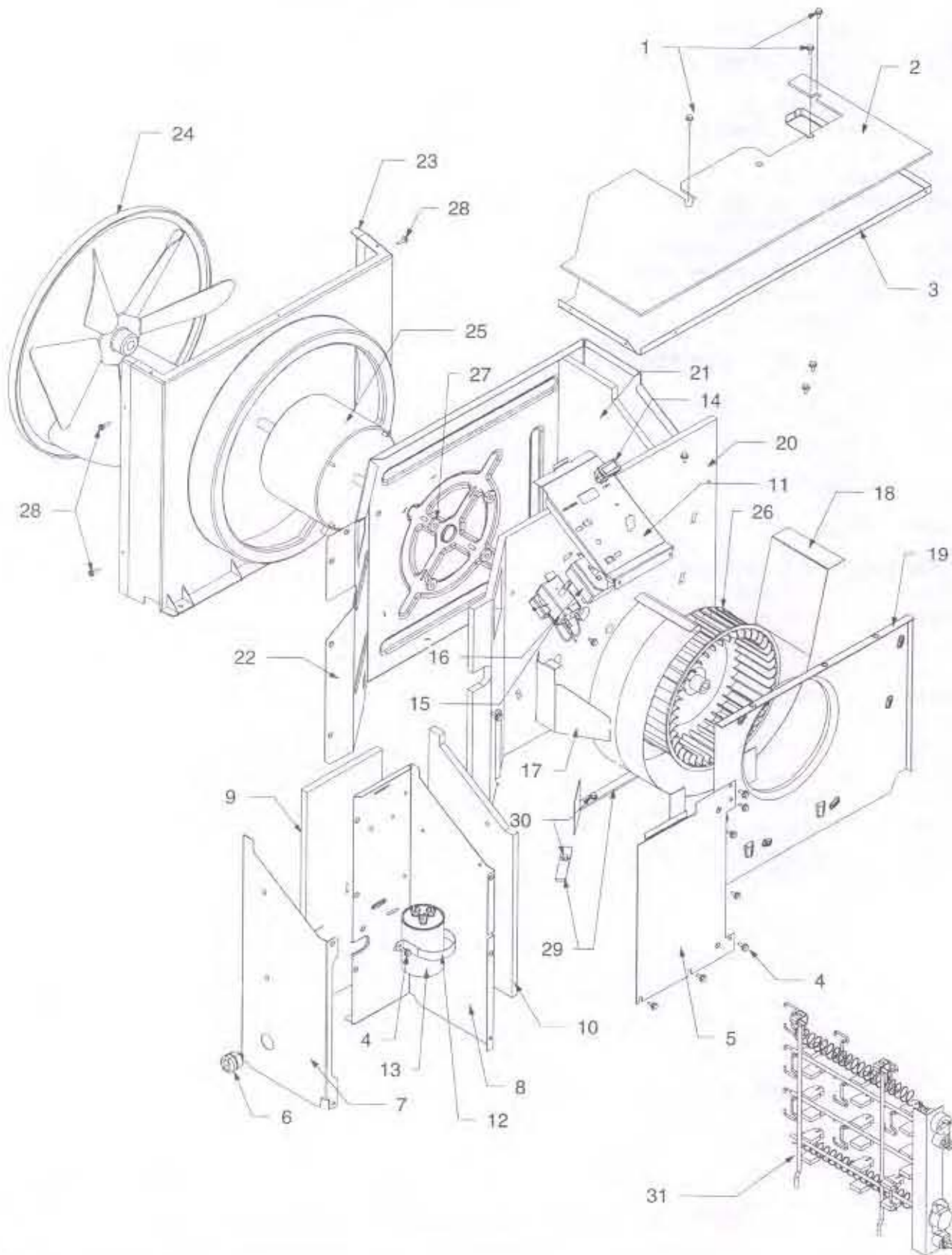
Image 1:

1	3301202	TOP BRACE
2	BT1393502	SCREW,#8 X 1/2,THREA (QTY AR)
3	3301208	TOP, TTW, UNIT
4	BT3075631	RAC KNOB (QTY 2)
5	BT3375600	LOUVERS-DISCHARGE AIR
6	BT3375200	GRILL
7	BT3375103	FRONT FRAME
8	3301207	BRACKET, U-CHANNEL,
9	BT3375304	BRACKET-FRONT MTG (LEFT)
10	BT3375305	BRACKET-FRONT MTG (RIGHT)
11	BT3375303	BRACKET-FRONT MTG (BOTTOM)
12	BT1393515	SCREW (QTY AR)
13	BT3076001	FRESH AIR PLUG For Installation
14	BT3076003	FRESH AIR PLUG-PERFORATED For Installation
15	BT1393509	SCREW,#8 X 3/8,1/2 W (QTY 4) For Installation
16	BT1393501	SCREW,#8 X 3/8,BLUNT (QTY 2) For Installation
17	3384003	CLIP ANGLE,SLEEVE (QTY 2) For Installation
NS	BT1369603	AIR FILTER

Expanded Model and Color Nomenclature

M1 - PBC071A00A	P1224901R
M2 - PBC081A00A	P1224902R
M3 - PBC101A00A	P1224903R
M4 - PBC111A00A	P1224904R
M5 - PBC092A00A	P1224905R
M6 - PBC102A00A	P1224906R
M7 - PBC112A00A	P1224907R
M8 - PBE081A15A	P1224909R
M9 - PBE092A35A	P1224910R
M10 - PBE102A35A	P1224911R
M11 - PBE112A35A	P1224912R

Center Partition Assembly



Center Partition Assembly

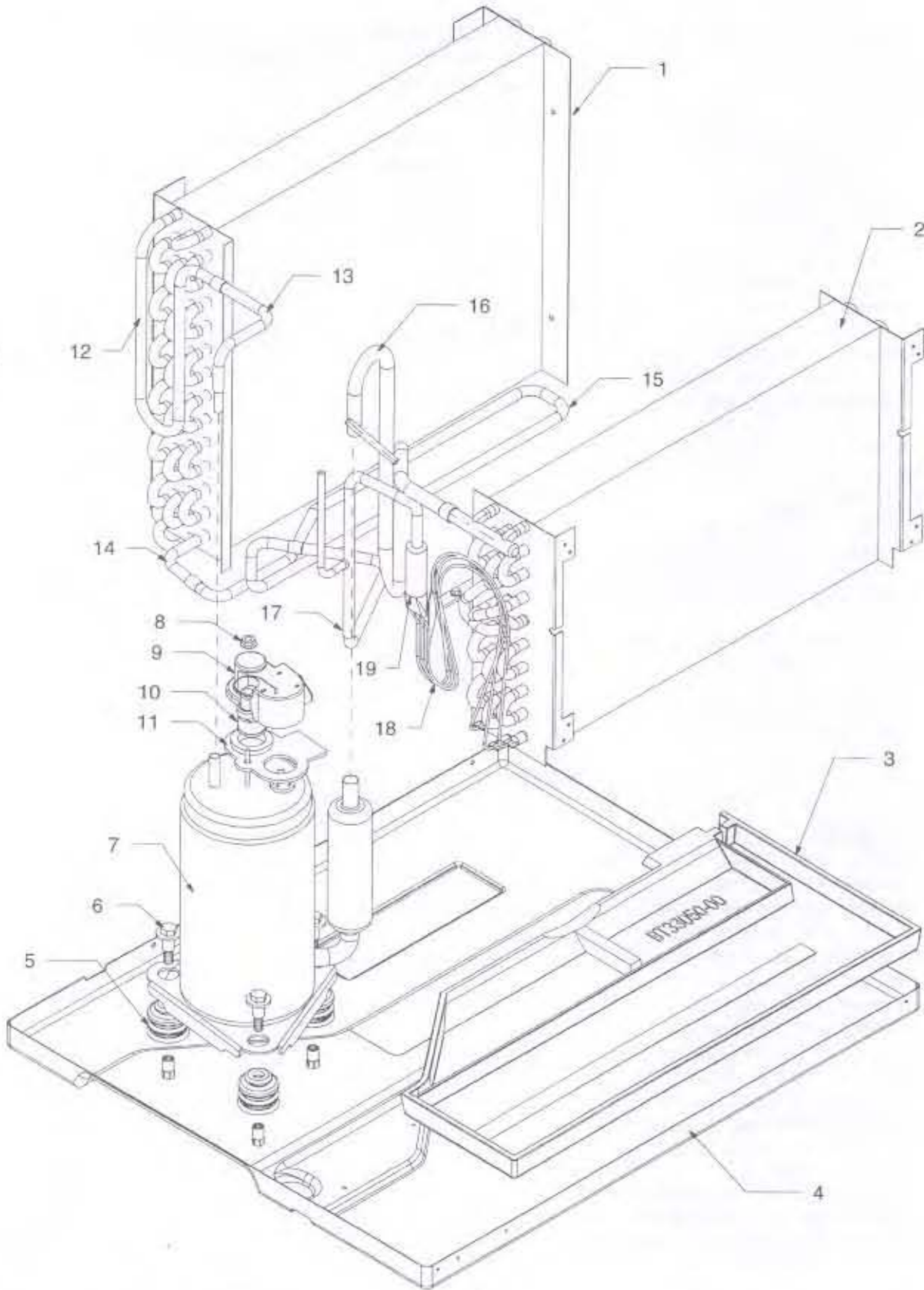
Ref. Part No: No:	Description:
<i>Image 1:</i>	
1	BT1393500 SCREW,#8 X 3/8,1/4HE (QTY AR)
2	BT3393010 INSUL., EVAP. TOP
3	3301206 TOP; EVAP., TTW
4	BT1393501 SCREW,#8 X 3/8,BLUNT (QTY AR)
5	3320002 ELECTRICAL PANEL, FR
6	BT1392107 RELIEF; STRAIN
7	3320006 PANEL; SIDE, TTW
8	3320003 ELECTRICAL PARTITION
9	BT3393005 INSULATION
10	BT3393000 INSUL LEFT SIDE
11	3320005 PANEL; TTW, E/S CONT
12	3084801 CAPACITOR STRAP
13	BT9457004 CAPACITOR, 25/5/370 (M7, M11)
13	BT9457002 CAPACITOR, 25/7.5/37 (M1, M4)
13	BT9457011 CAPACITOR, 30/5/370 (M6, M10)
13	BT9457005 CAPACITOR, 35/7.5/37 (M2, M8)
13	BT9457007 CAPACITOR, 45/7.5/37 (M3)
13	BT9457013 CAPACITOR; 5/15/370 (M5, M9)
14	BT1370812 SWITCH, ROCKER
15	BT1370828 THERMOSTAT (M8)
15	BT1370829 THERMOSTAT (M9, M10, M11)
15	BT1370826 THERMOSTAT; 115V (M1, M2, M3, M4)
15	BT1370827 THERMOSTAT; 230V (M5, M6, M7)
16	BT1370814 POWER SWITCH, 5-POS. (M1, M2, M3, M4, M5, M6, M7)
16	BT1370833 SWITCH; 6-POS., ROTA (M8, M9, M10, M11)
17	3302101 BAFFLE; AIR, TTW
18	3306000 BLOWER SCROLL
19	3306003 BLOWER PARTITION
20	BT3393007 INSUL BACK
21	BT3393001 INSUL RIGHT SIDE
22	3301002 PARTITION; CENTER
23	BT3311000 FAN SHROUD
24	BT1086703 FAN BLADE
25	BT1340009 MOTOR, 1/8HP, 115V (M1, M2, M3, M4)
25	BT1340013 MOTOR, 1/8HP, 115V (M8)
25	BT1340010 MOTOR, 1/6 HP, 230V (M5, M6, M7)
25	BT1340012 MOTOR, 1/6 HP, 230V (M9, M10, M11)
26	BT1368005 BLWR WHEEL (M3, M5, M6, M9, M10)
26	BT1368006 BLWR WHEEL (M1, M2, M8)
26	BT1368017 BLWR WHEEL (M4, M7, M11)
27	BT1393001 LOCKNUT NYLON, #8, 8 (QTY 4)
28	BT1393502 SCREW,#8 X 1/2,THREA (QTY AR)
29	BT1392610 SEAL STRIP 1/8 X 1/2 (QTY AR)
30	BT1393510 SCREW,#8 X 1/4,BLUNT (QTY AR)
31	BT1420008 ELEMENT,HEAT 3.4KW 2 (M9, M10, M11)
NS	BT1393001 LOCKNUT NYLON, #8, 8 (QTY 2) CENTER PARTITION
NS	BT1210003 POWER CORD, 115V, 15 (M1, M2, M3, M4, M8)
NS	BT1210004 POWER CORD, 230V, 10 (M5, M6, M7)
NS	BT1210006 POWER CORD,230V,20AM (M9, M10, M11)

Ref. Part No: No: Description:

Expanded Model and Color Nomenclature

M1 - PBC071A00A	P1224901R
M2 - PBC081A00A	P1224902R
M3 - PBC101A00A	P1224903R
M4 - PBC111A00A	P1224904R
M5 - PBC092A00A	P1224905R
M6 - PBC102A00A	P1224906R
M7 - PBC112A00A	P1224907R
M8 - PBE081A15A	P1224909R
M9 - PBE092A35A	P1224910R
M10 - PBE102A35A	P1224911R
M11 - PBE112A35A	P1224912R

Compressor, Tubing and Basepan



[The page contains extremely faint, illegible text, likely bleed-through from the reverse side of the paper. The text is arranged in several columns and paragraphs, but no specific words or phrases can be discerned.]