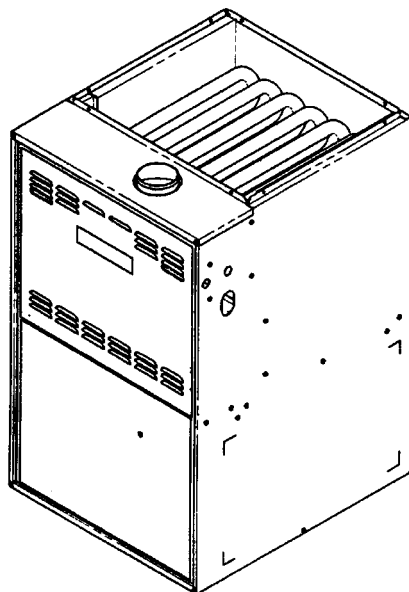


Parts

GUIC Gas Furnace

Models and manufacturing numbers in this manual

GUIC045DA30	P1222501F
GUIC045DX30	P1222601F
GUIC070DA30	P1222502F
GUIC070DA40	P1222503F
GUIC070DX30	P1222602F
GUIC070DX40	P1222603F
GUIC090DA30	P1222504F
GUIC090DA50	P1222505F
GUIC090DX30	P1222604F
GUIC090DX50	P1222605F
GUIC115DA40	P1222506F
GUIC115DA50	P1222507F
GUIC115DX40	P1222606F
GUIC115DX50	P1222607F
GUIC140DA50	P1222508F
GUIC140DX50	P1222608F



This manual is to be used by qualified appliance technicians only. Amana does not assume any responsibility for property damage or personal injury for improper service procedures done by an unqualified person.

Amana

RP6620019
Revision 0
July 1998

Important Information

Amana is not responsible for personal injury or property damage resulting from improper service. Review all service information before beginning repairs.

Warranty service must be performed by an authorized technician, using authorized factory parts. If service is required after the warranty expires, Amana also recommends contacting an authorized technician and using authorized factory parts. Locate an authorized technician by calling 800-NATLSVC (800-628-5782).

For assistance within the U.S.A. contact:

Consumer Affairs Department
Amana
2800 220th Trail
PO Box 8901
Amana IA 52204-0001
319-622-5511--Telephone
319-622-2977--Facsimile

For assistance outside the U.S.A. contact:

International Division
Amana
2800 220th Trail
PO Box 8901
Amana IA 52204-0001
USA
319-622-5511--Telephone
319-622-8595--Facsimile

Index

Functional Parts List	4 - 5
Illustration and Parts	6 - 13

Views shown are for parts illustrations only, not servicing procedures

Text Codes:

AR - As Required

0000 - Not Shown

QTY - Quantity Example (QTY 3) (If Quantity not shown, Quantity = 1)

M - Model Example (M1) (If M Code not shown, then part is used on all Models)

Expanded Model and Color Nomenclature:

Example

M1 - Model#1 P _____

M2 - Model#2 P _____

M3 - Model#3 P _____

Functional Parts

Part

No:

Description:

10585405	BLOWER-ID
D6879746	CAPACITOR (M5, M7, M13, M15)
10099901	CAPACITOR (M2, M10)
D6879739	CAPACITOR (M4, M12)
D6859325	CAPACITOR (M1, M3, M6, M9, M11, M14)
D6879740	CAPACITOR (M8, M16)
10207710	CONTROL-INTEG
10735201	FLAME-SENSOR
11135202	HARNESS-WIRING
10735002	IGNITOR
10728304	LIMIT (M7, M15)
10728322	LIMIT (M1, M9)
10728331	LIMIT (M5, M13)
10728324	LIMIT (M8, M16)
10728326	LIMIT (M2, M10)
10728332	LIMIT (M4, M6, M12, M14)
10728325	LIMIT (M3, M11)
10123509	LIMIT-RESET MAN (M1, M9)
10123510	LIMIT-RESET MAN (M2, M3, M4, M5, M10, M11, M12, M13)
10123513	LIMIT-RESET MAN (M6, M7, M14, M15)
10123506	LIMIT-RESET MAN
10123512	LIMIT-RESET MAN (M8, M16)
20046603	MOTOR BLOW 1/2 HP (M3, M11)
20046602	MOTOR BLOW 1/3 HP (M2, M10)
20046604	MOTOR BLOW 1/3 HP (M1, M9)
20046609	MOTOR-BLOW 1/2 HP (M4, M12)
20046610	MOTOR-BLOW 1/2 HP (M6, M14)
10759406	MOTOR-BLOW 1/2 HP (M5, M13)
10759407	MOTOR-BLOW 3/4 HP (M7, M15)
10759408	MOTOR-BLOW 3/4 HP (M8, M16)
10716003	ORIFICE (QTY AR)
10690401	SWITCH-INTERLOCK
10727920	SWITCH-PRESSURE
C6349702	TRANSFORMER
C6476907	VALVE-GAS

Functional Parts

Part

No: **Description:**

SPECIAL PARTS

11067325	INSTR-HI ALT FR
11067324	INSTR-LP FR
10759821	INSTRUCT-INSTALL
11067356	INSTRUCT-INSTALL FR
RP6620019	MANUAL-PARTS
11067354	MANUAL-USER FR
10759614	MANUAL-USERS

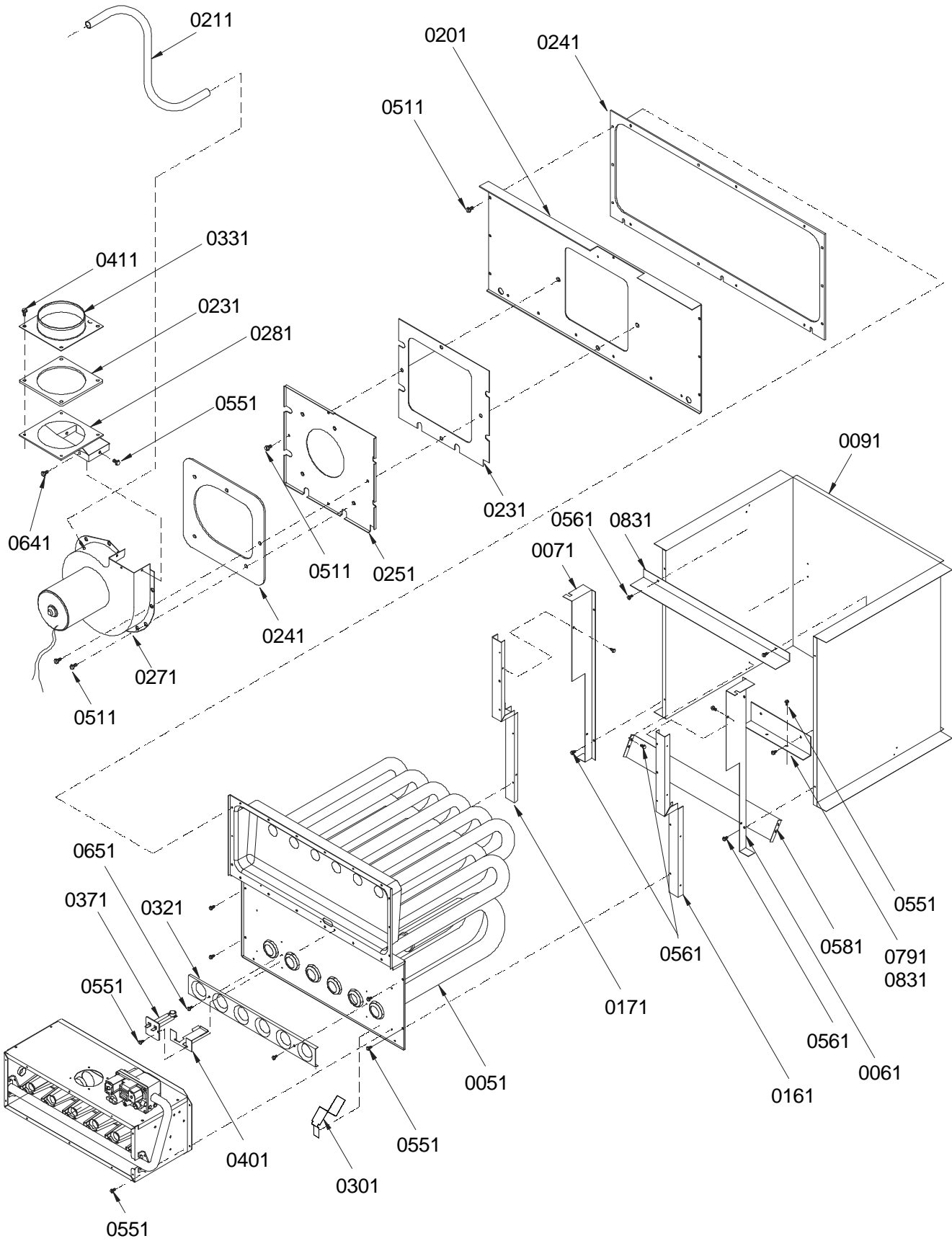
Expanded Model and Color Nomenclature

M1 - GUIC045DA30	P1222501F
M2 - GUIC070DA30	P1222502F
M3 - GUIC070DA40	P1222503F
M4 - GUIC090DA30	P1222504F
M5 - GUIC090DA50	P1222505F
M6 - GUIC115DA40	P1222506F
M7 - GUIC115DA50	P1222507F
M8 - GUIC140DA50	P1222508F
M9 - GUIC045DX30	P1222601F
M10 - GUIC070DX30	P1222602F
M11 - GUIC070DX40	P1222603F
M12 - GUIC090DX30	P1222604F
M13 - GUIC090DX50	P1222605F
M14 - GUIC115DX40	P1222606F
M15 - GUIC115DX50	P1222607F
M16 - GUIC140DX50	P1222608F

Cabinet Assembly

Ref. Part No:	Part No:	Description:	Ref. Part No:	Part No:	Description:
<i>Image 1</i>			Expanded Model and Color Nomenclature		
0011	20174701	BASEPAN-UPFLOW (M1, M2, M3, M9, M10, M11)	M1 - GUIC045DA30		P1222501F
0011	20174702	BASEPAN-UPFLOW (M4, M5, M12, M13)	M2 - GUIC070DA30		P1222502F
0011	20174703	BASEPAN-UPFLOW (M6, M7, M8, M14, M15, M16)	M3 - GUIC070DA40		P1222503F
0031	11034806	DECK-BLOWER (M1, M2, M9, M10)	M4 - GUIC090DA30		P1222504F
0031	11034807	DECK-BLOWER (M3, M11)	M5 - GUIC090DA50		P1222505F
0031	11034808	DECK-BLOWER (M4, M5, M12, M13)	M6 - GUIC115DA40		P1222506F
0031	11034809	DECK-BLOWER (M7, M8, M15, M16)	M7 - GUIC115DA50		P1222507F
0031	11034810	DECK-BLOWER (M6, M14)	M8 - GUIC140DA50		P1222508F
0081	20166001	PANEL-BACK (M1, M2, M3, M9, M10, M11)	M9 - GUIC045DX30		P1222601F
0081	20166002	PANEL-BACK (M4, M5, M12, M13)	M10 - GUIC070DX30		P1222602F
0081	20166003	PANEL-BACK (M6, M7, M8, M14, M15, M16)	M11 - GUIC070DX40		P1222603F
0101	10728401	SUPPORT-PART PAN (M1, M2, M3, M9, M10, M11)	M12 - GUIC090DX30		P1222604F
0101	10728402	SUPPORT-PART PAN (M4, M5, M12, M13)	M13 - GUIC090DX50		P1222605F
0101	10728403	SUPPORT-PART PAN (M6, M7, M8, M14, M15, M16)	M14 - GUIC115DX40		P1222606F
0111	20192807	COVER-FLUE (M1, M2, M3, M9, M10, M11)	M15 - GUIC115DX50		P1222607F
0111	20192808	COVER-FLUE (M4, M5, M12, M13)	M16 - GUIC140DX50		P1222608F
0111	20192809	COVER-FLUE (M6, M7, M8, M14, M15, M16)			
0131	A4554801	BUSHING-SNAP			
0141	20200801	PANEL-LEFT SIDE			
0151	20200701	PANEL-RIGHT SIDE			
0171	10690101	STRIKE-DOOR (QTY 2)			
0181	10690002	DOOR CATCH ASSY (QTY 2)			
0191	10727808	DOOR-ACCESS (M1, M2, M3, M9, M10, M11)			
0191	10727809	DOOR-ACCESS (M4, M5, M12, M13)			
0191	10727810	DOOR-ACCESS (M6, M7, M8, M14, M15, M16)			
0201	10727726	DOOR-BLOWER (M1, M2, M3, M9, M10, M11)			
0201	10727727	DOOR-BLOWER (M4, M5, M12, M13)			
0201	10727728	DOOR-BLOWER (M6, M7, M8, M14, M15, M16)			
0211	10736201	COVER-HV BOX			
0221	10690401	SWITCH-INTERLOCK			
0231	M0216529	SCREW-SM (QTY AR)			
0261	20178501	RETAINER-FILTER			
0281	11104001	SNAP-BUSHING CLR			
0291	10727920	SWITCH-PRESSURE			
0301	10734606	BOX-FRONT BNR (M1, M9)			
0301	10734607	BOX-FRONT BNR (M2, M3, M10, M11)			
0301	10734608	BOX-FRONT BNR (M4, M5, M12, M13)			
0301	10734609	BOX-FRONT BNR (M6, M7, M14, M15)			
0301	10734610	BOX-FRONT BNR (M8, M16)			
0311	10736102	BOX-HIGH VOLTAGE			
0351	10861101	BRKT-AUX LIMIT			
0361	10123506	LIMIT-RESET MAN			
0441	11001301	GASKET-COMPT (QTY 2)			
0541	M0216716	SCREW-SM (QTY AR)			
0551	M0219916	SCREW-SM (QTY AR)			
0721	A4568804	GROMMET-D (QTY AR)			
0741	M0571002	BUSHING-SNAP (QTY AR)			
0771	M0270001	WASHER-CUP			
0781	M0227803	SCREW-TC (QTY AR)			
0861	11094903	BRKT-CORNER (QTY 2)			

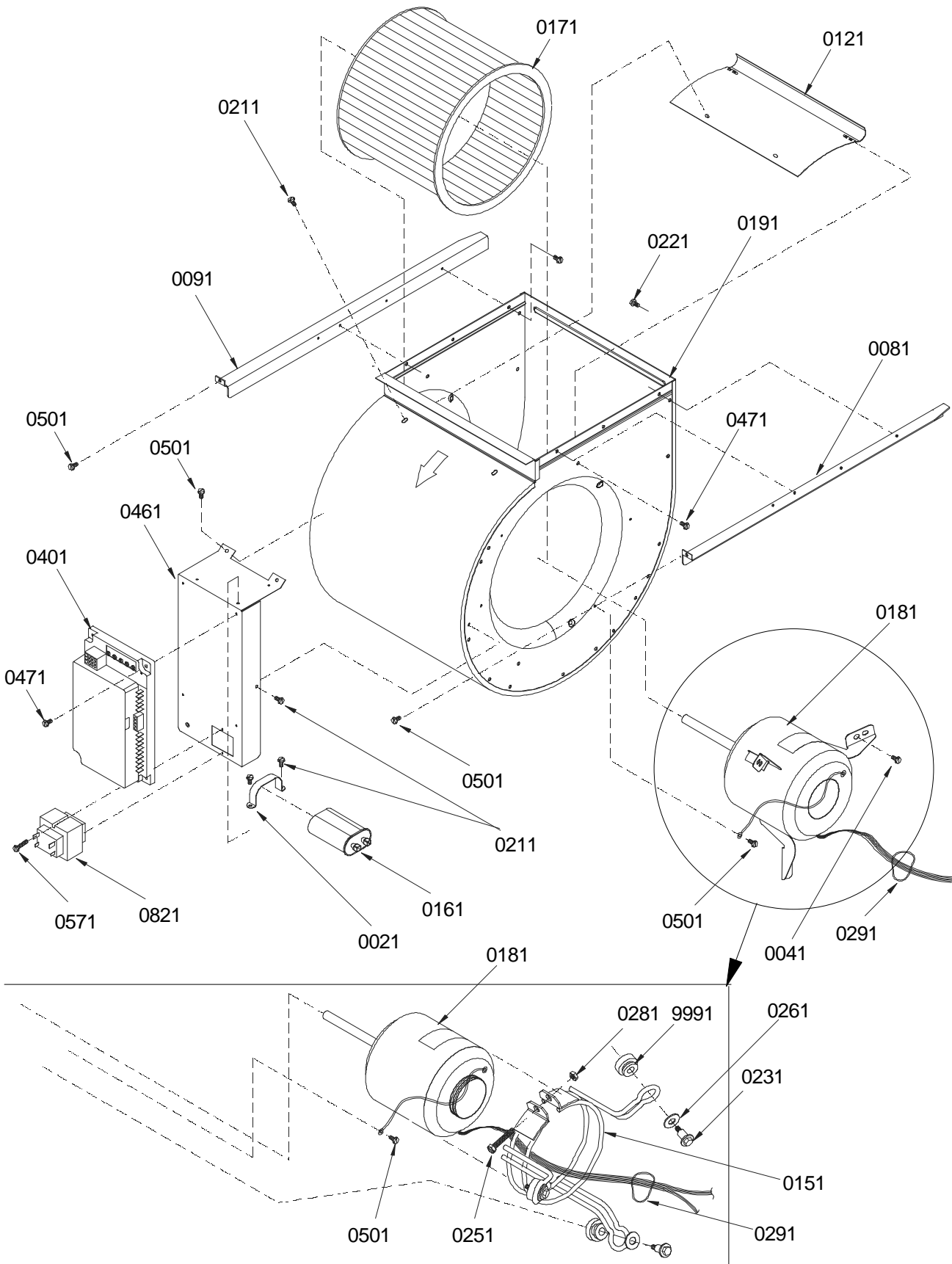
Partition Tube Assembly & Collector Box



Partition Tube Assembly & Collector Box

Ref. Part No:	Part No:	Description:	Ref. Part No:	Part No:	Description:
<i>Image 1</i>			0831	11008302	BAFFLE-LINER (M2, M3, M10, M11)
0051	11094106	PART/TUBE ASSY (M1, M9)	0831	11008303	BAFFLE-LINER (M4, M5, M12, M13)
0051	11094107	PART/TUBE ASSY (M2, M3, M10, M11)	0831	11008304	BAFFLE-LINER (M6, M7, M14, M15)
0051	11094108	PART/TUBE ASSY (M4, M5, M12, M13)	0831	11008305	BAFFLE-LINER (M8, M16)
0051	11094109	PART/TUBE ASSY (M6, M7, M14, M15)	0831	11008306	BAFFLE-LINER (M1, M9) (QTY 2)
0051	11094110	PART/TUBE ASSY (M8, M16)	Expanded Model and Color Nomenclature		
0061	10728601	BRKT-LINER MTG	M1 - GUIC045DA30	P1222501F	
0071	10728602	BRKT-LINER MTG	M2 - GUIC070DA30	P1222502F	
0091	10728707	LINER-CABINET (M1, M9)	M3 - GUIC070DA40	P1222503F	
0091	10728708	LINER-CABINET (M2, M3, M10, M11)	M4 - GUIC090DA30	P1222504F	
0091	10728709	LINER-CABINET (M4, M5, M12, M13)	M5 - GUIC090DA50	P1222505F	
0091	10728710	LINER-CABINET (M6, M7, M14, M15)	M6 - GUIC115DA40	P1222506F	
0091	10728711	LINER-CABINET (M8, M16)	M7 - GUIC115DA50	P1222507F	
0161	10728503	RAIL-PART PANEL	M8 - GUIC140DA50	P1222508F	
0171	10728504	RAIL-PART PANEL	M9 - GUIC045DX30	P1222601F	
0201	10764404	PLATE-PARTITION (M1, M2, M3, M9, M10, M11)	M10 - GUIC070DX30	P1222602F	
0201	10764405	PLATE-PARTITION (M4, M5, M12, M13)	M11 - GUIC070DX40	P1222603F	
0201	10764406	PLATE-PARTITION (M6, M7, M8, M14, M15, M16)	M12 - GUIC090DX30	P1222604F	
0211	B1410304	HOSE-PRESSURE SW	M13 - GUIC090DX50	P1222605F	
0231	10764601	GASKET-ROTATE PLT	M14 - GUIC115DX40	P1222606F	
0241	11142201	GASKET-COLL/ID (M1, M2, M3, M9, M10, M11)	M15 - GUIC115DX50	P1222607F	
0241	11142202	GASKET-COLL/ID (M4, M5, M12, M13)	M16 - GUIC140DX50	P1222608F	
0241	11142203	GASKET-COLL/ID (M6, M7, M8, M14, M15, M16)			
0251	10764301	PLATE-ROTATING (M1, M9)			
0251	10764302	PLATE-ROTATING (M2, M3, M10, M11)			
0251	10764304	PLATE-ROTATING (M4, M5, M12, M13)			
0251	10764313	PLATE-ROTATING (M6, M7, M8, M14, M15, M16)			
0271	10585405	BLOWER-ID			
0281	11072301	TRAN-ID BLOW			
0301	10624002	INSERT-MESH TUBE (M9, M10, M11, M12, M13, M14, M15, M16) (QTY AR)			
0321	11072201	SHIELD-ORIFICE (M1, M9)			
0321	11072202	SHIELD-ORIFICE (M2, M3, M10, M11)			
0321	11072203	SHIELD-ORIFICE (M4, M5, M12, M13)			
0321	11072204	SHIELD-ORIFICE (M6, M7, M14, M15)			
0321	11072205	SHIELD-ORIFICE (M8, M16)			
0331	11009701	TOP-TRAN PLATE			
0371	10728304	LIMIT (M7, M15)			
0371	10728322	LIMIT (M1, M9)			
0371	10728324	LIMIT (M8, M16)			
0371	10728325	LIMIT (M3, M11)			
0371	10728326	LIMIT (M2, M10)			
0371	10728331	LIMIT (M5, M13)			
0371	10728332	LIMIT (M4, M6, M12, M14)			
0401	11094802	BAFFLE-LIMIT (M7, M8)			
0411	M0253516	SCREW-TR (QTY AR)			
0511	M0219918	SCREW-SM (QTY AR)			
0551	M0219916	SCREW-SM (QTY AR)			
0561	M0224303	SCREW-SM (QTY AR)			
0581	11008801	BAFFLE-DECK (M3, M11)			
0581	11008802	BAFFLE-DECK (M4, M12)			
0641	M0211021	SCREW-SM			
0651	M0211020	SCREW-SM (QTY AR)			
0791	11008306	BAFFLE-LINER (M2, M3, M4, M5, M6, M7, M8, M10, M11, M12, M13, M14, M15, M16)			

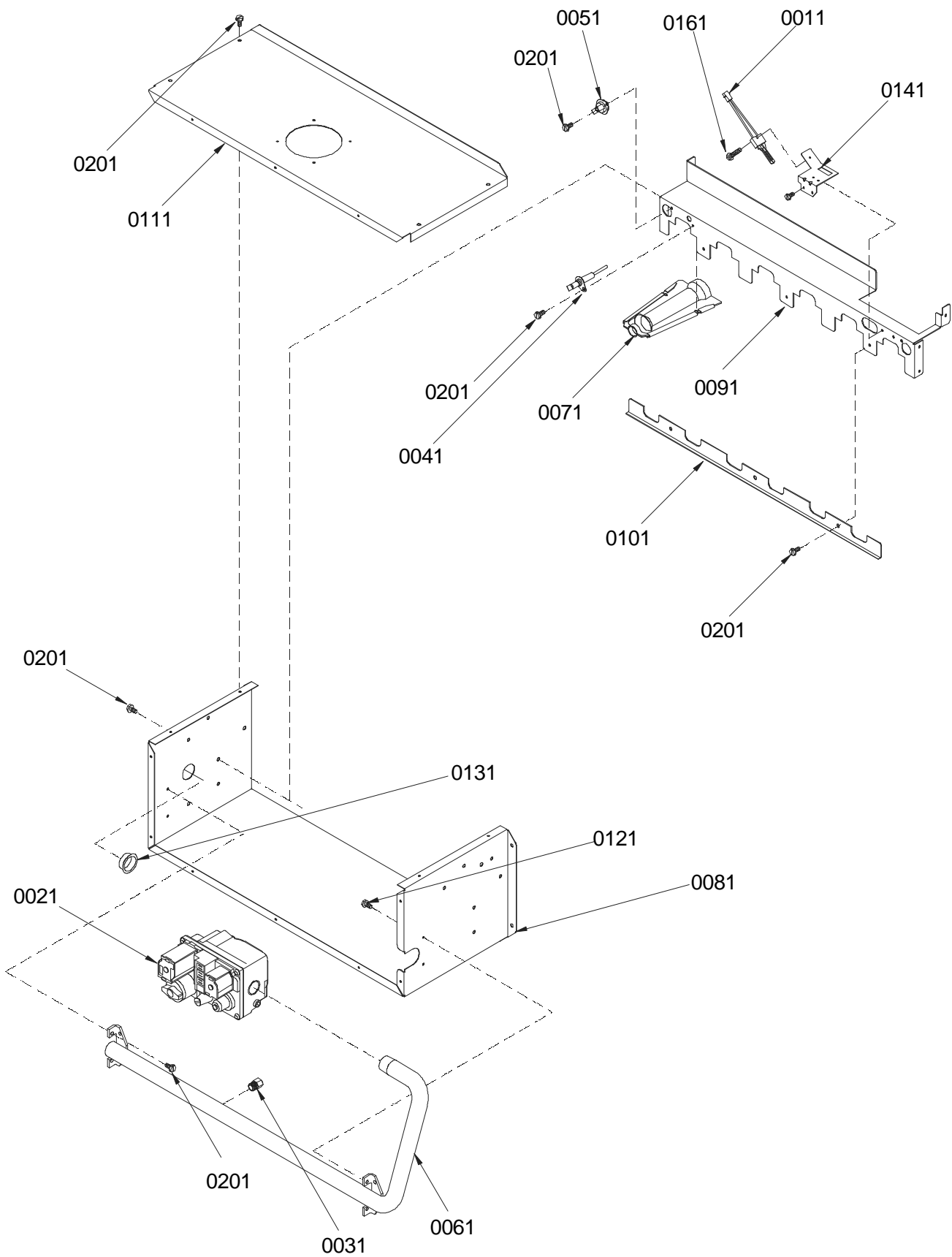
Blower Assembly & Integrated Control



Blower Assembly & Integrated Control

Ref. Part No:	Part No:	Description:	Ref. Part No:	Part No:	Description:
<i>Image 1</i>			Expanded Model and Color Nomenclature		
0021	A3410501	STRAP-CAPACITOR (M4, M5, M7, M8, M12, M13, M15, M16) (QTY AR)	M1 -	GUIC045DA30	P1222501F
0021	A4055402	STRAP-CAPACITOR (M1, M2, M3, M6, M9, M10, M11, M14) (QTY AR)	M2 -	GUIC070DA30	P1222502F
0041	M0250558	SCREW-TC (M1, M2, M3, M4, M6, M9, M10, M11, M12, M14) (QTY AR)	M3 -	GUIC070DA40	P1222503F
0081	10744901	RAIL-SIDE BLOWER	M4 -	GUIC090DA30	P1222504F
0091	10744902	RAIL-SIDE BLOWER	M5 -	GUIC090DA50	P1222505F
0121	C6121802	CUTOFF (M3, M11)	M6 -	GUIC115DA40	P1222506F
0121	C6121803	CUTOFF (M6, M14)	M7 -	GUIC115DA50	P1222507F
0121	C6121806	CUTOFF (M7, M8, M15, M16)	M8 -	GUIC140DA50	P1222508F
0121	C6121810	CUTOFF (M1, M2, M4, M5, M9, M10, M12, M13)	M9 -	GUIC045DX30	P1222601F
0151	C9443701	BRKT-MOTOR MT (M7, M8, M15, M16)	M10 -	GUIC070DX30	P1222602F
0151	C9443702	BRKT-MOTOR MT (M5, M13)	M11 -	GUIC070DX40	P1222603F
0161	10099901	CAPACITOR (M2, M10)	M12 -	GUIC090DX30	P1222604F
0161	D6859325	CAPACITOR (M1, M3, M6, M9, M11, M14)	M13 -	GUIC090DX50	P1222605F
0161	D6879739	CAPACITOR (M4, M12)	M14 -	GUIC115DX40	P1222606F
0161	D6879740	CAPACITOR (M8, M16)	M15 -	GUIC115DX50	P1222607F
0161	D6879746	CAPACITOR (M5, M7, M13, M15)	M16 -	GUIC140DX50	P1222608F
0171	D6723301	WHEEL-BLOWER (M1, M2, M9, M10)			
0171	D6723302	WHEEL-BLOWER (M4, M5, M12, M13)			
0171	D6723303	WHEEL-BLOWER (M7, M8, M15, M16)			
0171	D6723310	WHEEL-BLOWER (M6, M14)			
0171	D6723316	WHEEL-BLOWER (M3, M11)			
0181	20046603	MOTOR BLOW 1/2 HP (M3, M11)			
0181	20046602	MOTOR BLOW 1/3 HP (M2, M10)			
0181	20046604	MOTOR BLOW 1/3 HP (M1, M9)			
0181	10759406	MOTOR-BLOW 1/2 HP (M5, M13)			
0181	20046609	MOTOR-BLOW 1/2 HP (M4, M12)			
0181	20046610	MOTOR-BLOW 1/2 HP (M6, M14)			
0181	10759407	MOTOR-BLOW 3/4 HP (M7, M15)			
0181	10759408	MOTOR-BLOW 3/4 HP (M8, M16)			
0191	11185801	BLOWER HSG WELD (M1, M2, M9, M10)			
0191	11185802	BLOWER HSG WELD (M3, M11)			
0191	11185803	BLOWER HSG WELD (M4, M5, M12, M13)			
0191	11185804	BLOWER HSG WELD (M7, M8, M15, M16)			
0191	11185808	BLOWER HSG WELD (M6, M14)			
0211	M0211016	SCREW-SM (QTY AR)			
0221	M0253516	SCREW-TR (QTY AR)			
0231	M0221461	SCREW-TC (M5, M7, M13, M15) (QTY AR)			
0251	M0267144	SCREW-MACH (M5, M7, M13, M15)			
0261	M0274008	WASHER-FLAT (M5, M7, M13, M15) (QTY AR)			
0281	M0282015	NUT-KEPS (M5, M7, M8, M13, M15, M16)			
0291	M0321202	TIE-ELEC LG			
0401	10207710	CONTROL-INTEG			
0461	10746204	BRKT-CONTROL			
0471	M0211020	SCREW-SM (QTY AR)			
0501	M0219916	SCREW-SM (QTY AR)			
0571	M0216536	SCREW-SM (QTY AR)			
0821	C6349702	TRANSFORMER			
9991	A4002702	GROMMET (M5, M7, M8, M13, M15, M16) (QTY AR)			

Manifold Assembly



Manifold Assembly

Ref. Part No:	Part No:	Description:	Ref. Part No:	Part No:	Description:
<i>Image 1</i>			Expanded Model and Color Nomenclature		
0011	10735002	IGNITOR	M1 -	GUIC045DA30	P1222501F
0021	C6476907	VALVE-GAS	M2 -	GUIC070DA30	P1222502F
0031	10716003	ORIFICE (QTY AR)	M3 -	GUIC070DA40	P1222503F
0041	10735201	FLAME-SENSOR	M4 -	GUIC090DA30	P1222504F
0051	10123509	LIMIT-RESET MAN (M1, M9)	M5 -	GUIC090DA50	P1222505F
0051	10123510	LIMIT-RESET MAN (M2, M3, M4, M5, M10, M11, M12, M13)	M6 -	GUIC115DA40	P1222506F
0051	10123512	LIMIT-RESET MAN (M8, M16)	M7 -	GUIC115DA50	P1222507F
0051	10123513	LIMIT-RESET MAN (M6, M7, M14, M15)	M8 -	GUIC140DA50	P1222508F
0061	10568801	MANIFOLD (M1, M9)	M9 -	GUIC045DX30	P1222601F
0061	10568802	MANIFOLD (M2, M3, M10, M11)	M10 -	GUIC070DX30	P1222602F
0061	10568803	MANIFOLD (M4, M5, M12, M13)	M11 -	GUIC070DX40	P1222603F
0061	10568804	MANIFOLD (M6, M7, M14, M15)	M12 -	GUIC090DX30	P1222604F
0061	10568805	MANIFOLD (M8, M16)	M13 -	GUIC090DX50	P1222605F
0071	10735102	BECKETT BURNER (QTY AR)	M14 -	GUIC115DX40	P1222606F
0081	10734410	BOX-BURNER (M1, M9)	M15 -	GUIC115DX50	P1222607F
0081	10734411	BOX-BURNER (M2, M3, M10, M11)	M16 -	GUIC140DX50	P1222608F
0081	10734412	BOX-BURNER (M4, M5, M12, M13)			
0081	10734413	BOX-BURNER (M6, M7, M14, M15)			
0081	10734414	BOX-BURNER (M8, M16)			
0091	11008101	BRKT-BURNER (M1, M9)			
0091	11008102	BRKT-BURNER (M2, M3, M10, M11)			
0091	11008103	BRKT-BURNER (M4, M5, M12, M13)			
0091	11008104	BRKT-BURNER (M6, M7, M14, M15)			
0091	11008105	BRKT-BURNER (M8, M16)			
0101	10734701	BRKT-LOCK BURNER (M1, M9)			
0101	10734702	BRKT-LOCK BURNER (M2, M3, M10, M11)			
0101	10734703	BRKT-LOCK BURNER (M4, M5, M12, M13)			
0101	10734704	BRKT-LOCK BURNER (M6, M7, M14, M15)			
0101	10734705	BRKT-LOCK BURNER (M8, M16)			
0111	10734501	TOP-BOX BURNER (M1, M9)			
0111	10734503	TOP-BOX BURNER (M4, M5, M12, M13)			
0111	10734504	TOP-BOX BURNER (M6, M7, M14, M15)			
0111	10734505	TOP-BOX BURNER (M8, M16)			
0111	20177102	TOP-BRNR BOX (M2, M3, M10, M11)			
0121	M0253516	SCREW-TR (QTY AR)			
0131	A4554801	BUSHING-SNAP			
0141	11008703	BRKT-SENSOR			
0161	M0216519	SCREW-SM			
0201	M0216529	SCREW-SM (QTY AR)			