

Service Parts

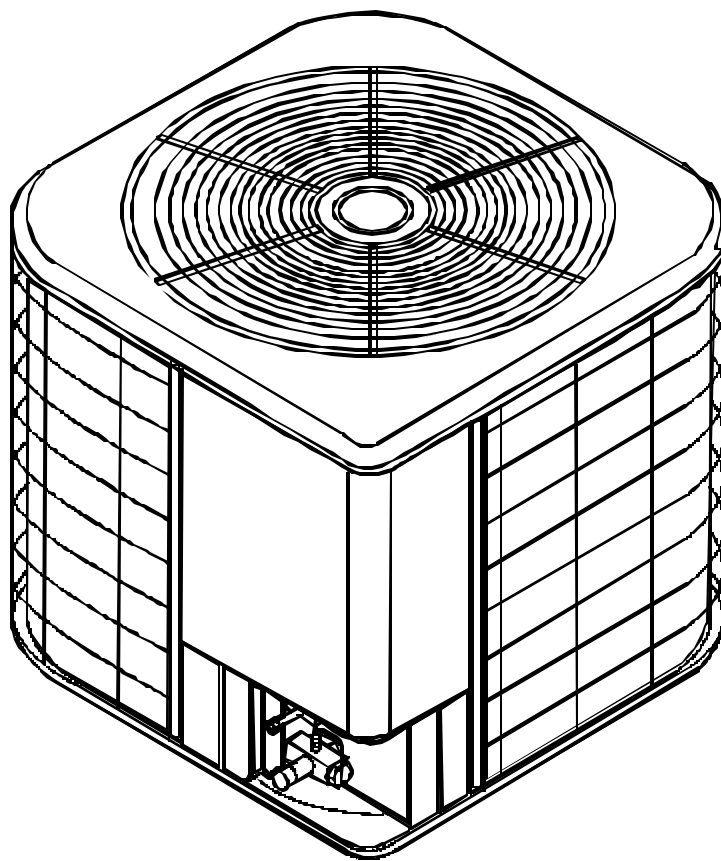
VCA*C2A Remote Condensing Units

Models and manufacturing numbers in this manual

VCA18C2A	P1221349C
VCA24C2A	P1221350C
VCA30C2A	P1221351C
VCA36C2A	P1221352C
VCA42C2A	P1221353C
VCA48C2A	P1246103C
VCA60C2A	P1246104C

This manual replaces RP6111002.

This manual is to be used by qualified appliance technicians only.



Amana
Heating & Air Conditioning
LASTS AND LASTS AND LASTS.™

Amana is a trademark of Maytag Corporation and used under license to Goodman Company, L.P. All rights reserved.

RP6111002
Revision 0
August 2004

Copyright © 2004 Goodman Company, L.P.

Important Information

Goodman Company, L.P. is not responsible for personal injury or property damage resulting from improper service. Review all service information before beginning repairs.

Warranty service must be performed by an authorized technician, using authorized factory parts. If service is required after the warranty expires, Goodman Company, L.P. also recommends contacting an authorized technician and using authorized factory parts.

For assistance within the U.S.A. contact:
Consumer Affairs Department
Goodman Company, L.P.
7401 Security Way
Houston, Texas 77040
877-254-4729-Telephone
713-863-2382-Facsimile

For assistance outside the U.S.A. contact:
International Division
Goodman Company, L.P.
7401 Security Way
Houston, Texas 77040
713-861-2500-Telephone
713-863-2382-Facsimile

Index

Functional Parts List	4 - 5
Illustration and Parts	6 - 11

Views shown are for parts illustrations only, not servicing procedures.

Revision 1: Corrects the capacitor part number for VCA60C2A, P1246104C.

Text Codes:

AR - As Required

NA - Not Available

NS - Not Shown

00000000 - See Note

QTY - Quantity Example (QTY 3) (If Quantity not shown, Quantity = 1)

M - Model Example (M1) (If M Code not shown, then part is used on all Models)

Expanded Model Nomenclature:

Example	
M1 - Model#1	P _____
M2 - Model#2	P _____
M3 - Model#3	P _____

Functional Parts

Part

No: Description:

D6789028	CAPACITOR (M6)
D6789031	CAPACITOR-METAL (M4)
D6789046	CAPACITOR-METAL (M7)
D6789025	CAPACITOR-METAL (M5)
D6789048	CAPACITOR-POLY (M1, M2)
D6789049	CAPACITOR-POLY (M3)
B9266219A	COMP-BR H23A383ABCA (M5)
B9266647A	COMP-BR H23A423ABCA (M6)
B9266234A	COMP-BR H23B153ABCA (M1)
B9266214A	COMP-BR H23B223ABCA (M2)
B9266830A	COMP-BR H29B28UABCA (M3)
20330904	COMP-BRISTOL (M4)
B9266355	COMP-CP ZR57KC PFV (M7)
20410001	CONDENSER ASSY (M1)
20424801	CONDENSER ASSY (M5)
20178904	CONDENSER ASSY (M2)
20411401	CONDENSER ASSY (M4)
20411001	CONDENSER ASSY (M3)
20422001	CONDENSER ASSY (M6)
11163805	CONDENSER ASSY-PPNT (M7)
10651509	HARNESS-COMP (M7)
10651508	HARNESS-COMP (M5, M6)
10651507	HARNESS-COMP (M1, M2, M3, M4)
B13400247	MOTOR-COND (M6, M7)
B13400251	MOTOR-COND (M1, M2, M3, M4, M5)
20272601	PISTON 0512 BAG ASSY (M1)
20272603	PISTON 0591 BAG ASSY (M2)
20272611	PISTON 0650 BAG ASSY (M3)
20272612	PISTON 0710 BAG ASSY (M4)
20272607	PISTON 0760 BAG ASSY (M5)
20272608	PISTON 0846 BAG ASSY (M6)
20272609	PISTON 0925 BAG ASSY (M7)
B1443809	RESTRICTOR 051 (M1)
B1443823	RESTRICTOR 059 (M2)
B1443821	RESTRICTOR 065 (M3)
B1443822	RESTRICTOR 071 (M4)
B1443817	RESTRICTOR 076 (M5)
B1443805	RESTRICTOR 084 (M6)
B1443810	RESTRICTOR 092 (M7)

Functional Parts

Part

No: **Description:**

SPECIAL PARTS

RP6111002	MANUAL PARTS
RS6200003	MANUAL SERVICE
RT6111004	MANUAL TECHNICAL
10652404	MANUAL-INSTAL
10659202	MANUAL-OWNERS
20438401	VCA18C2A SPEC SHT (M1)
20438402	VCA24C2A SPEC SHT (M2)
20438403	VCA30C2A SPEC SHT (M3)
20438404	VCA36C2A SPEC SHT (M4)
20438405	VCA42C2A SPEC SHT (M5)
20438406	VCA48C2A SPEC SHT (M6)
20438407	VCA60C2A SPEC SHT (M7)
20315605	WARRANTY-5 YR

Expanded Model Nomenclature

M1 - VCA18C2A	P1221349C
M2 - VCA24C2A	P1221350C
M3 - VCA30C2A	P1221351C
M4 - VCA36C2A	P1221352C
M5 - VCA42C2A	P1221353C
M6 - VCA48C2A	P1246103C
M7 - VCA60C2A	P1246104C

Control Cover/Cabinet/Top

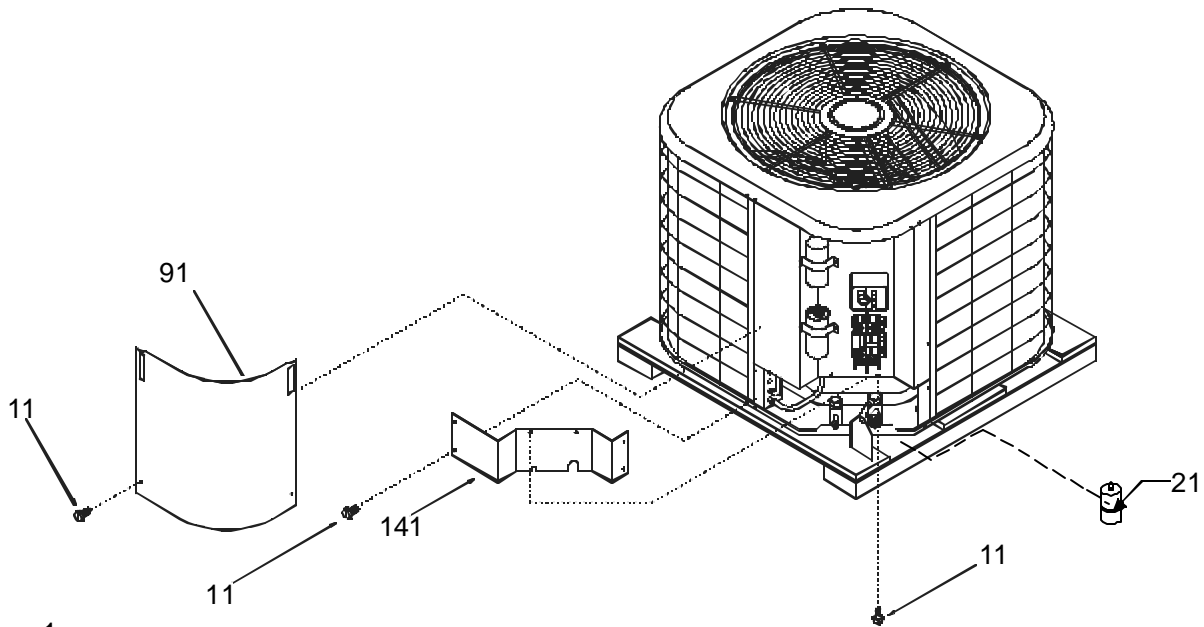
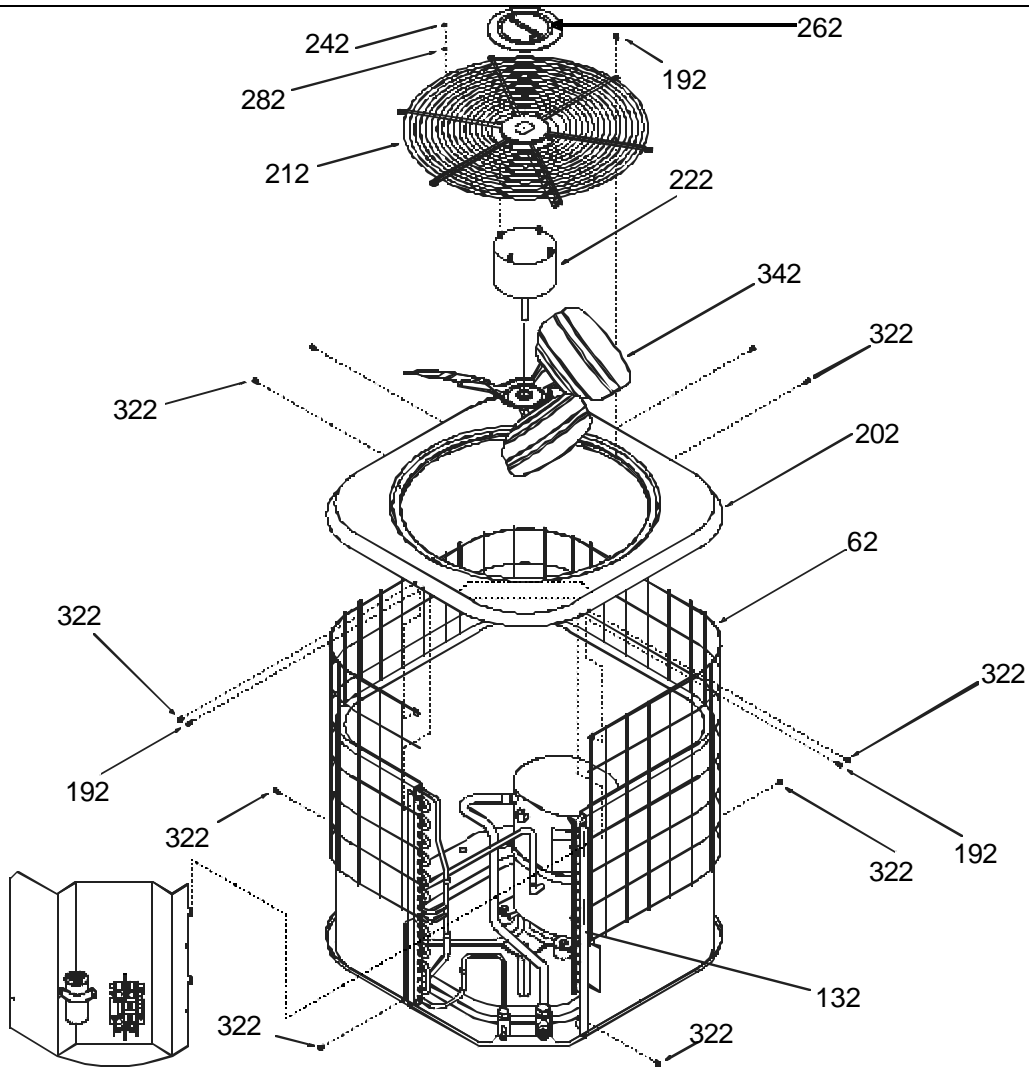


Image1

Image2



Control Cover/Cabinet/Top

Ref. Part No:	Part No:	Description:	Ref. Part No:	Part No:	Description:
---------------	----------	--------------	---------------	----------	--------------

Image 1:

21	B1219212	FILTER-DRIER (M1, M2, M3, M4)
21	B1219225	FILTER-DRIER (M5, M6, M7)
91	10589920	COVER CONTROL (M6, M7)
91	20187204	PANEL-CONT 14.5 (M1, M2, M5)
91	20187304	PANEL-CONT 16.5 (M3, M4)
141	20160201	PANEL-SRVC VLV (M1, M2, M3, M4)
141	20160203	PANEL-SRVC VLV (M5)
141	20280004	PANEL-VALVE (M6)
141	20289707	PANEL-VALVE (M7)
NS	20164001	GASKET-CONT PANEL (M1, M2, M3, M4, M5)
NS	M0321202	TIE-ELEC LG (QTY 2)

Image 2:

62	20030528	GRILLE-FORMED (M6)
62	20030529	GRILLE-FORMED (M7)
62	20182520	GRILLE-FORMED (M4)
62	20182521	GRILLE-FORMED (M5)
62	20182525	GRILLE-FORMED (M1, M2, M3)
132	M0280301	TIE-ELECTRICAL
192	M0220816	SCREW-SM (QTY 7)
202	20027901	COVER-TOP (M6, M7)
202	20160501	TOP (M1, M2, M3, M4, M5)
212	20228202	GRILLE-FAN (M1, M2, M3, M4, M5)
212	20228302	GRILLE-FAN (M6, M7)
222	B13400247	MOTOR-COND (M6, M7)
222	B13400251	MOTOR-COND (M1, M2, M3, M4, M5)
242	91000601	NUT-ACORN (QTY 4)
262	20353301	NAMEPLATE-DISC AMANA
282	M0216517	SCREW-SM (QTY AR)
322	M0229303	SCREW-SM (QTY AR)
342	B1086750	FAN-COND (M6, M7)
342	B1086756	FAN-COND (M1, M2, M3, M4, M5)
NS	20161701	HANGER-CLIP (M4, M5, M6, M7)

Expanded Model Nomenclature

M1 - VCA18C2A	P1221349C
M2 - VCA24C2A	P1221350C
M3 - VCA30C2A	P1221351C
M4 - VCA36C2A	P1221352C
M5 - VCA42C2A	P1221353C
M6 - VCA48C2A	P1246103C
M7 - VCA60C2A	P1246104C

Tubing

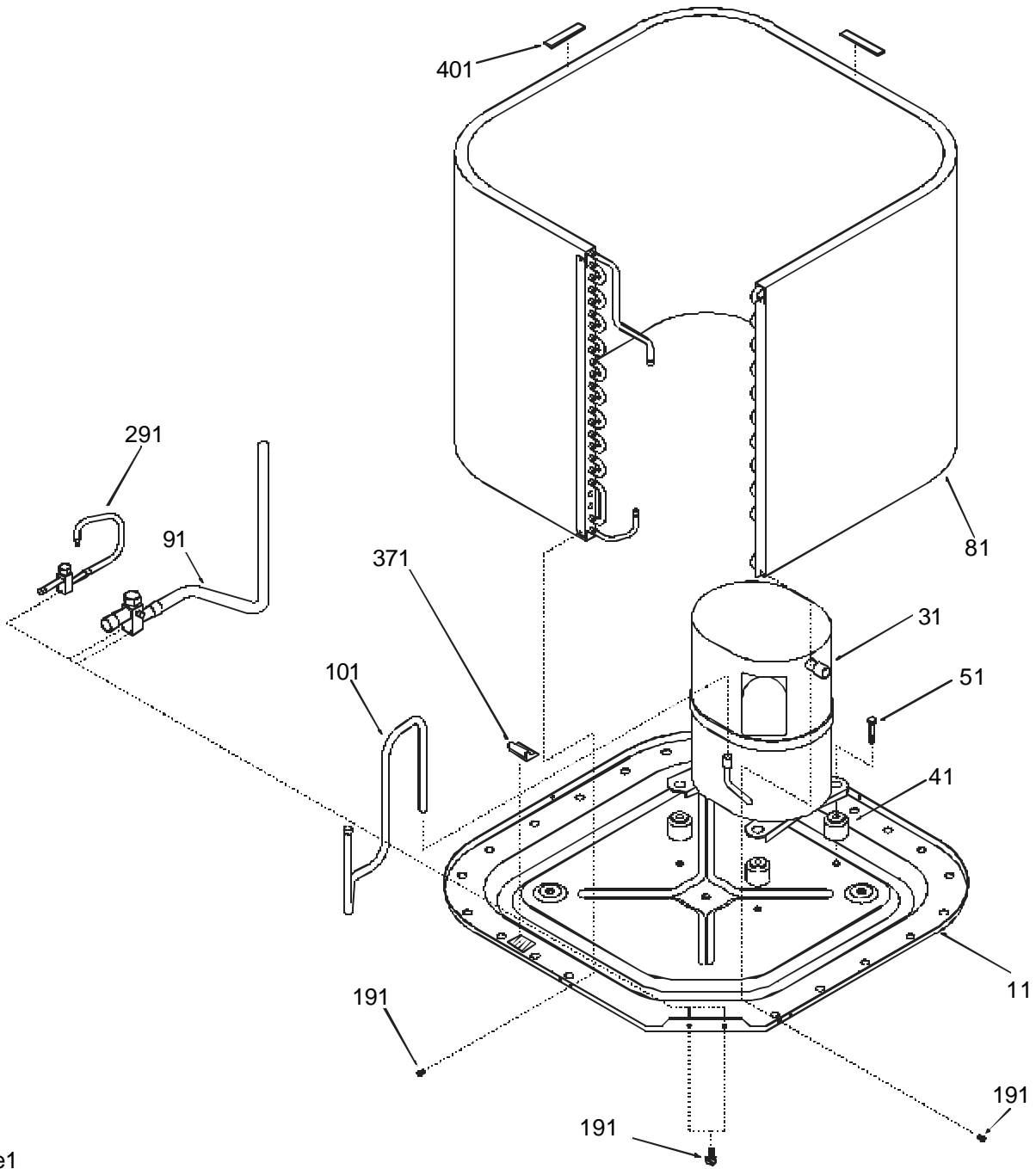


Image1

Image2

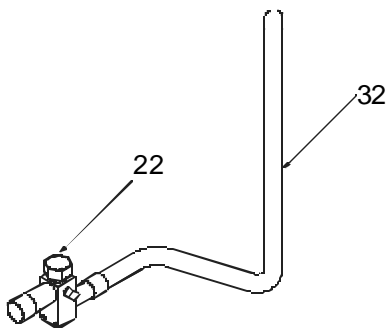
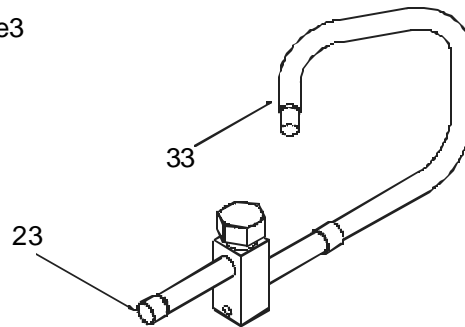


Image3



Tubing

**Ref. Part
No: No:**

Description:

Image 1:

11	10258303	BASEPAN (M6, M7)
11	20159901	BASEPAN (M1, M2, M3, M4, M5)
31	B9266219A	COMP-BR H23A383ABCA (M5)
31	B9266647A	COMP-BR H23A423ABCA (M6)
31	B9266234A	COMP-BR H23B153ABCA (M1)
31	B9266214A	COMP-BR H23B223ABCA (M2)
31	B9266830A	COMP-BR H29B28UABCA (M3)
31	20330904	COMP-BRISTOL (M4)
31	B9266355	COMP-CP ZR57KC PFV (M7)
41	C6466001	GROMMET-COMP (M5, M6, M7)
41	B1315401	GROMMET-COMP FOOT (M1, M2, M3, M4)
51	A9015201	LUG-GROUND
81	20178904	CONDENSER ASSY (M2)
81	20410001	CONDENSER ASSY (M1)
81	20411001	CONDENSER ASSY (M3)
81	20411401	CONDENSER ASSY (M4)
81	20422001	CONDENSER ASSY (M6)
81	20424801	CONDENSER ASSY (M5)
81	11163805	CONDENSER ASSY-PPNT (M7)
91	20410101	TUBE ASSY-SUCT (M1)
91	20410102	TUBE ASSY-SUCT (M2)
91	20410103	TUBE ASSY-SUCT (M3)
91	20410104	TUBE ASSY-SUCT (M4)
91	20422501	TUBE ASSY-SUCT (M6)
91	20423301	TUBE ASSY-SUCT (M7)
91	20425401	TUBE ASSY-SUCT (M5)
101	20410201	TUBE-DISCH REM (M1)
101	20410202	TUBE-DISCH REM (M2)
101	20410203	TUBE-DISCH REM (M3)
101	20410205	TUBE-DISCH REM (M4)
101	20422601	TUBE-DISCH REM (M6)
101	20423101	TUBE-DISCH REM (M7)
101	20425501	TUBE-DISCHARGE (M5)
191	M0220816	SCREW-SM (QTY 7)
291	20414901	TUBE WELD-LVLV (M1, M2, M3, M4)
291	20414904	TUBE WELD-LVLV (M5)
291	20422701	TUBE WELD-LVLV (M6, M7)
371	20206601	SUPPORT-COIL (M1, M2, M3, M4, M5)
371	20328901	SUPPORT-COIL (M6, M7)
401	10839819	GASKET-.062X.50

Image 2:

22	20163902	VALVE-SERVICE 3/4 (M3, M4)
22	20163901	VALVE-SERVICE 5/8 (M1, M2)
22	20163903	VALVE-SERVICE 7/8 (M5, M6, M7)
32	20410301	TUBE-SUCTION (M1)
32	20410302	TUBE-SUCTION (M2)
32	20410303	TUBE-SUCTION (M3)
32	20410304	TUBE-SUCTION (M4)
32	20422401	TUBE-SUCTION (M6)
32	20423201	TUBE-SUCTION (M7)
32	20425301	TUBE-SUCTION (M5)

Image 3:

23	20163801	VALVE-SERVICE (M5, M6, M7)
23	20163801	VALVE-SERVICE (M1, M2, M3, M4)
33	20415101	TUBE-FILTER DRIER (M1, M2, M3, M4)

**Ref. Part
No: No:**

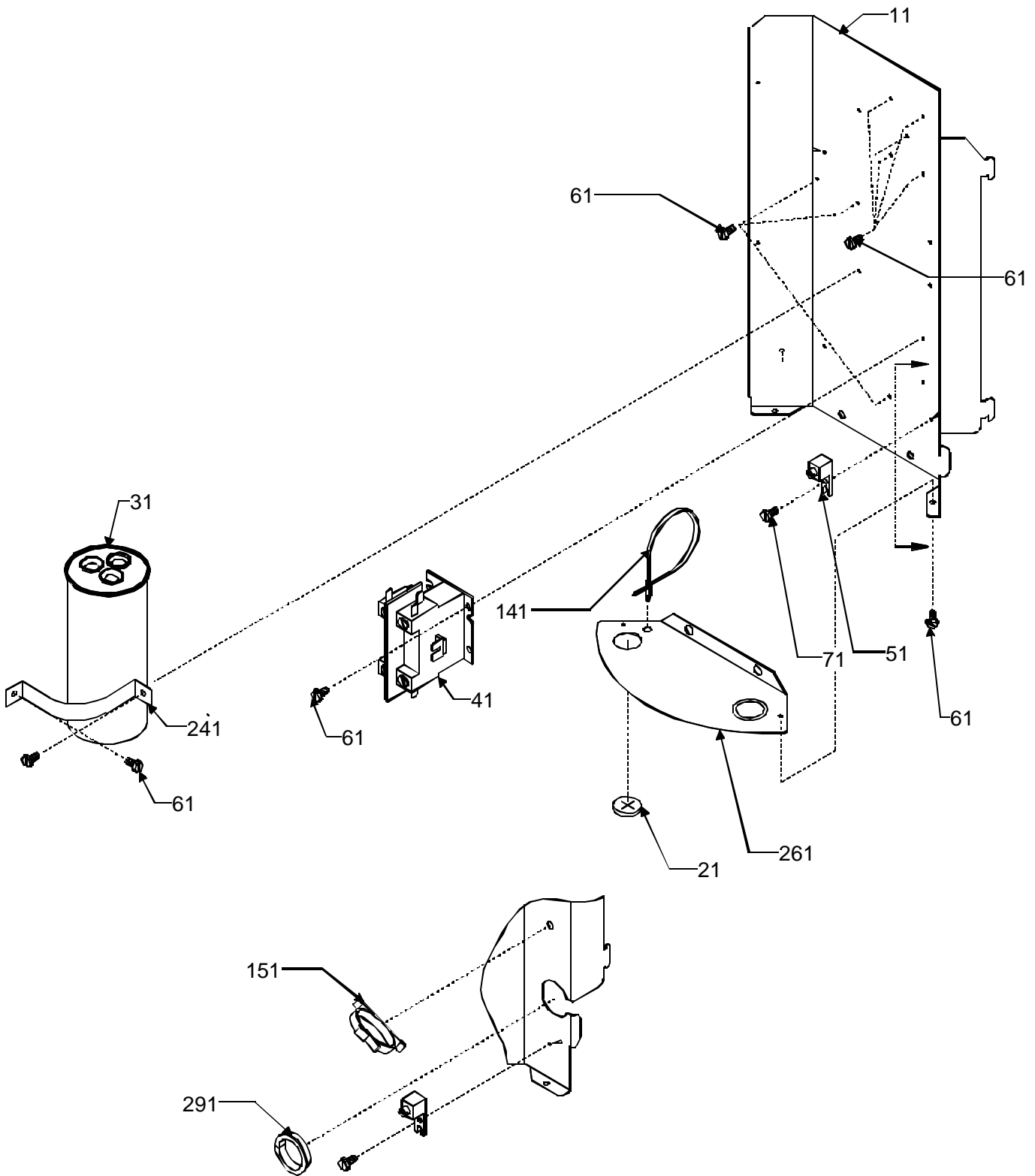
Description:

33	20415103	TUBE-FILTER DRIER (M5)
33	20422801	TUBE-FILTER DRIER (M6, M7)

Expanded Model Nomenclature

M1 - VCA18C2A	P1221349C
M2 - VCA24C2A	P1221350C
M3 - VCA30C2A	P1221351C
M4 - VCA36C2A	P1221352C
M5 - VCA42C2A	P1221353C
M6 - VCA48C2A	P1246103C
M7 - VCA60C2A	P1246104C

Control Box/Outer Fan Cabinet



Control Box/Outer Fan Cabinet

Ref. Part No:	Part No:	Description:	Ref. Part No:	Part No:	Description:
---------------	----------	--------------	---------------	----------	--------------

Image 1:

11	20180927	CONT PANEL ASSY (M4)
11	20180929	CONT PANEL ASSY (M1, M2)
11	20180930	CONT PANEL ASSY (M3)
11	20180935	CONT PANEL ASSY (M5)
11	11174704	CONTROL BOX-1PC (M6, M7)
21	A4603801	GROMMET
31	D6789028	CAPACITOR (M6)
31	D6789025	CAPACITOR-METAL (M5)
31	D6789031	CAPACITOR-METAL (M4)
31	D6789046	CAPACITOR-METAL (M7)
31	D6789048	CAPACITOR-POLY (M1, M2)
31	D6789049	CAPACITOR-POLY (M3)
41	C6170004	CONTACTOR-25A (M1, M2, M3, M4, M5, M6)
41	C6170005	CONTACTOR-40A (M7)
51	A9015201	LUG-GROUND
61	M0216515	SCREW-SM (QTY AR)
71	M0216529	SCREW-SM
141	M0322201	TIE-ELEC (M1, M2, M3, M4, M5)
151	M0118702	CLIP-GUIDE (M1, M2, M3, M4, M5)
241	C6300508	STRAP-CAPACITOR (M1, M2, M6)
241	C6300513	STRAP-CAPACITOR (M3, M4, M5, M7)
261	20161101	BOTTOM-CNTRL PNL (M1, M2, M3, M4, M5)
291	A4554807	BUSHING-SNAP

Expanded Model Nomenclature

M1 - VCA18C2A	P1221349C
M2 - VCA24C2A	P1221350C
M3 - VCA30C2A	P1221351C
M4 - VCA36C2A	P1221352C
M5 - VCA42C2A	P1221353C
M6 - VCA48C2A	P1246103C
M7 - VCA60C2A	P1246104C