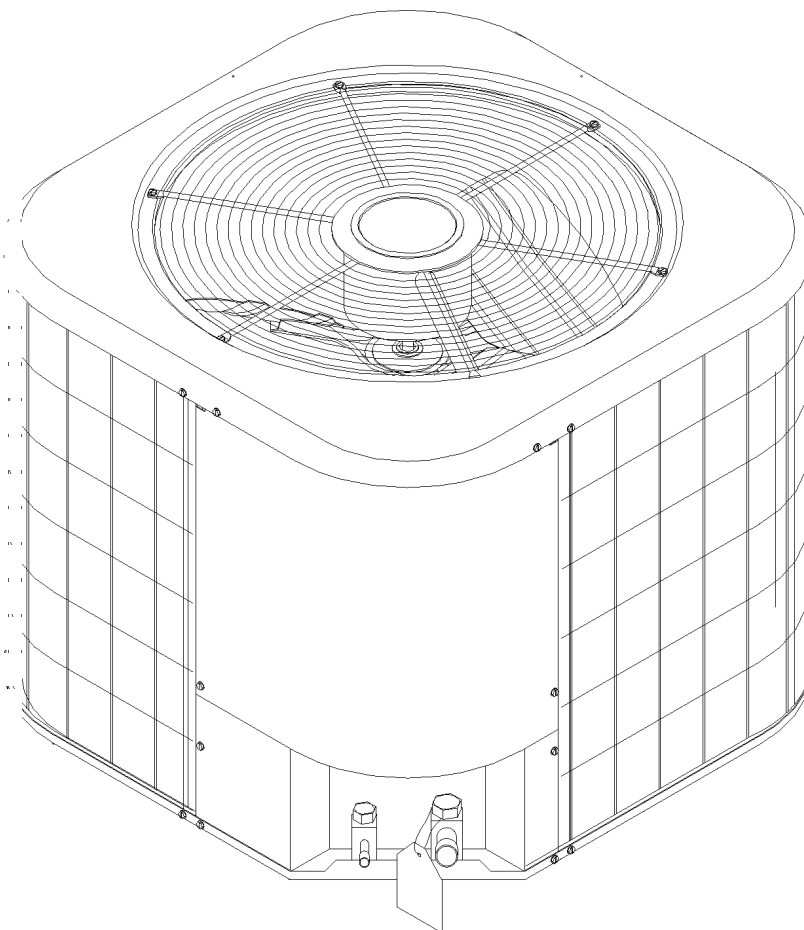


VCA 10 SEER Remote Condensing Units

VCA18B2D	P1221320C
VCA18B2E	P1221330C
VCA24B2D	P1221321C
VCA24B2E	P1221331C
VCA30B2D	P1221322C
VCA30B2E	P1221332C
VCA36B2D	P1221323C
VCA36B2E	P1221333C
VCA36B2E	P1221340C
VCA36B3D	P1221327C
VCA36B3E	P1221337C
VCA42B2D	P1221324C
VCA42B2E	P1221334C
VCA48B2D	P1221325C
VCA48B2E	P1221335C
VCA48B3D	P1221328C
VCA48B3E	P1221338C
VCA60B2D	P1221326C
VCA60B2E	P1221336C
VCA60B3D	P1221329C
VCA60B3E	P1221339C



Amana is a trademark of Maytag Corporation and used under license to Goodman Company, L.P. All rights reserved.

This manual is to be used by qualified technicians only.

This manual replaces RP6111001 Rev. 2.

© 2001-2008 Goodman Company, L.P. ♦ 5151 San Felipe, Suite 500 ♦ Houston, TX 77056

Important Information

Index

Functional Parts List	3
Illustration and Parts	4 - 9

Views shown are for parts illustrations only, not servicing procedures.

Rev. 3: Corrected cond motors and updated layout.

Text Codes:

AR - As Required

NA - Not Available

NS - Not Shown

00000000 - See Note

QTY - Quantity Example (QTY 3) (If Quantity not shown, Quantity = 1)

M - Model Example (M1) (If M Code not shown, then part is used on all Models)

Expanded Model Nomenclature:

Example M1 - Model#1 M2 - Model#2 M3 - Model#3

Goodman Company, L.P. is not responsible for personal injury or property damage resulting from improper service. Review all service information before beginning repairs.

Warranty service must be performed by an authorized technician, using authorized factory parts. If service is required after the warranty expires, Goodman Company, L.P. also recommends contacting an authorized technician and using authorized factory parts.

Goodman Company, L.P. reserves the right to discontinue, or change at any time, specifications or designs without notice or without incurring obligations.

For assistance within the U.S.A. contact:

Consumer Affairs Department
Goodman Company, L.P.
7401 Security Way
Houston, Texas 77040
877-254-4729-Telephone
713-863-2382-Facsimile

For assistance outside the U.S.A. contact:

International Division
Goodman Company, L.P.
7401 Security Way
Houston, Texas 77040
713-861-2500-Telephone
713-863-2382-Facsimile

Functional Parts

Part No: **Description:**

Expanded Model Nomenclature

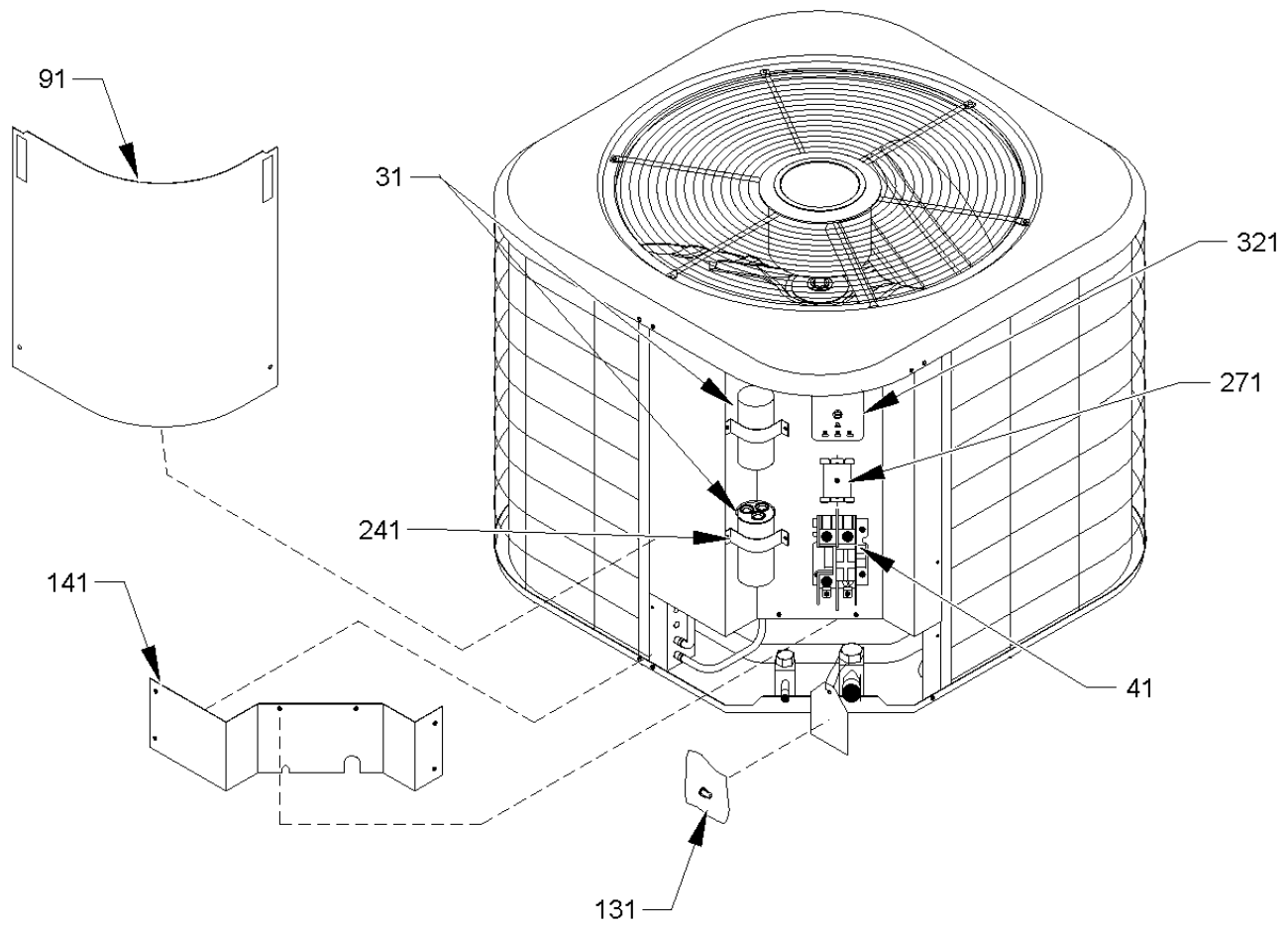
CAP030350370RSS	CAPACITOR 3/35/370V (M1, M2, M11, M12)
CAP050000370VAS	CAPACITOR 5/370V (M8, M9, M10, M18, M19, M20)
CAP050450370RSS	CAPACITOR 5/45/370V [CONTROL BOX] (M3, M4, M13, M14, M21)
CAP050450440RTS	CAPACITOR 5/45/440V (M5, M15)
CAP050500370RS	CAPACITOR 5/50/370V (M6, M16)
CAP050800370RTS	CAPACITOR 5/80/370V [CONTROL BOX] (M7, M17)
CR22K6PFV960	COMPRESSOR 22100, 208/230/60/1 (M2, M12)
CR28K6PFV960	COMPRESSOR 28200, 208/230/60/1 (M3, M13)
10679716	COMPRESSOR AVB5538EXN (M5, M15)
10679711	COMPRESSOR AVD5545EXT (M9, M19)
10679724	COMPRESSOR AVD5558EXN (M7, M17)
10679725	COMPRESSOR AVD5558EXT (M10, M20)
10611917	COMPRESSOR AWF5516EXN (M1, M11)
10611923	COMPRESSOR AWF5532EXN (M4, M14)
10611927	COMPRESSOR AWF5532EXT (M8, M18)
10611931	COMPRESSOR AWF5533EXN (M21)
B9266206S	COMPRESSOR H23A463ABCA (M6, M16)
10584321S	COND MOTOR (M4, M5, M6, M7, M8, M9, M10, M14, M15, M16, M17, M18, M19, M20)
20181704S	COND MOTOR (M1, M2, M3, M11, M12, M13, M21)
C6333501	CONTACTOR 25 AMP (M8, M9, M10, M18, M19, M20)
CONT2P025024VS	CONTACTOR 25 AMP, 2P, 24V (M1, M2, M3, M5, M6, M11, M12, M13, M15, M16, M21)
CONT2P030024VS	CONTACTOR 30 AMP, 2P, 24V (M4, M14)
CONT2P040024VS	CONTACTOR 40 AMP, 2P, 24V (M7, M17)
11154402	START DEVICE (M6, M7, M16, M17)
B1370772	TIME DELAY (ICM) 180 SEC DELAY (M6, M7, M16, M17)

M1 - VCA18B2D	P1221320C
M2 - VCA24B2D	P1221321C
M3 - VCA30B2D	P1221322C
M4 - VCA36B2D	P1221323C
M5 - VCA42B2D	P1221324C
M6 - VCA48B2D	P1221325C
M7 - VCA60B2D	P1221326C
M8 - VCA36B3D	P1221327C
M9 - VCA48B3D	P1221328C
M10 - VCA60B3D	P1221329C
M11 - VCA18B2E	P1221330C
M12 - VCA24B2E	P1221331C
M13 - VCA30B2E	P1221332C
M14 - VCA36B2E	P1221333C
M15 - VCA42B2E	P1221334C
M16 - VCA48B2E	P1221335C
M17 - VCA60B2E	P1221336C
M18 - VCA36B3E	P1221337C
M19 - VCA48B3E	P1221338C
M20 - VCA60B3E	P1221339C
M21 - VCA36B2E	P1221340C

SPECIAL PARTS

10652423S	INSTALLATION INSTRUCTIONS
RP6111001	REPAIR PARTS MANUAL
10659202S	USERS MANUAL

Control Cover/Control Box



Control Cover/Control Box

**Ref. Part
No: No:**

Description:

**Ref. Part
No: No:**

Description:

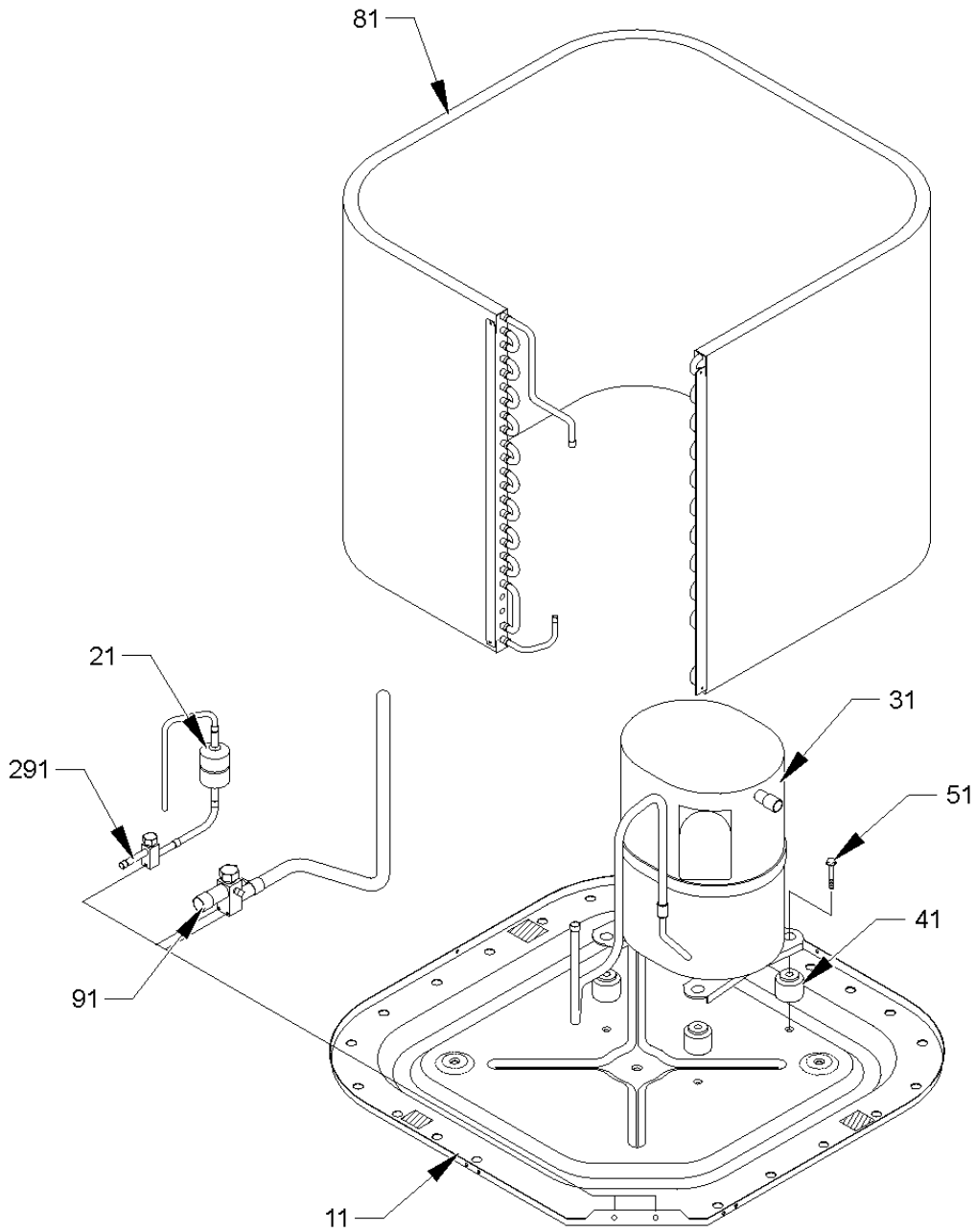
Image 1:

31	CAP030350370RSS	CAPACITOR 3/35/370V (M1, M2, M11, M12)
31	CAP050000370VAS	CAPACITOR 5/370V (M8, M9, M10, M18, M19, M20)
31	CAP050450370RSS	CAPACITOR 5/45/370V [CONTROL BOX] (M3, M4, M13, M14, M21)
31	CAP050450440RTS	CAPACITOR 5/45/440V (M5, M15)
31	CAP050500370RS	CAPACITOR 5/50/370V (M6, M16)
31	CAP050800370RTS	CAPACITOR 5/80/370V [CONTROL BOX] (M7, M17)
41	C6333501	CONTACTOR 25 AMP (M8, M9, M10, M18, M19, M20)
41	CONT2P025024VS	CONTACTOR 25 AMP, 2P, 24V (M1, M2, M3, M5, M6, M11, M12, M13, M15, M16, M21)
41	CONT2P030024VS	CONTACTOR 30 AMP, 2P, 24V (M4, M14)
41	CONT2P040024VS	CONTACTOR 40 AMP, 2P, 24V (M7, M17)
91	20160403BND	COVER-BENT CONTROL (M1, M2)
91	20160404BND	COVER-BENT CONTROL (M3, M4, M5, M6, M7, M8, M9, M10)
91	20160405BND	COVER-BENT CONTROL (M11, M12)
91	20160406BND	COVER-BENT CONTROL (M13, M14, M15, M16, M17, M18, M19, M20, M21)
131	B1789851	FLOW CHECK PISTON KIT .051 (M1, M11)
131	B1789859	FLOW CHECK PISTON KIT .059 (M2, M12)
131	B1789865	FLOW CHECK PISTON KIT .065 (M3, M13)
131	B1789871	FLOW CHECK PISTON KIT .071 (M4, M8, M14, M18)
131	11076307	FLOW CHECK PISTON KIT .072 (M21)
131	B1789876	FLOW CHECK PISTON KIT .076 (M5, M15)
131	B1789884	FLOW CHECK PISTON KIT .084 (M6, M9, M16, M19)
131	B1789892	FLOW CHECK PISTON KIT .092 (M7, M10, M17, M20)
141	20160206	SERVICE VALVE PANEL (M3)
141	20160207	SERVICE VALVE PANEL (M6, M7, M9, M10)
141	20160209	SERVICE VALVE PANEL (M11, M12, M14, M15, M18, M21)
141	20160210	SERVICE VALVE PANEL (M13)
141	20160211	SERVICE VALVE PANEL (M16, M17, M19, M20)
141	20160205	SERVICE VALVE PANEL [OBSOLETE] (M1, M2, M4, M5, M8)
241	A4055402	CAPACITOR STRAP (M8, M9, M10, M18, M19, M20)
241	C6300508	CAPACITOR STRAP [OBSOLETE] (M1, M2, M11, M12)
241	C6300513	CAPACITOR STRAP [OBSOLETE] (M3, M4, M5, M6, M7, M13, M14, M15, M16, M17, M21)
271	11154402	START DEVICE (M6, M7, M16, M17)
321	B1370772	TIME DELAY (ICM) 180 SEC DELAY (M6, M7, M16, M17)
NS	11180601	WIRE HARNESS (M8, M9, M18, M19)
NS	11180701	WIRE HARNESS (M10, M20)

Expanded Model Nomenclature

M1 - VCA18B2D	P1221320C
M2 - VCA24B2D	P1221321C
M3 - VCA30B2D	P1221322C
M4 - VCA36B2D	P1221323C
M5 - VCA42B2D	P1221324C
M6 - VCA48B2D	P1221325C
M7 - VCA60B2D	P1221326C
M8 - VCA36B3D	P1221327C
M9 - VCA48B3D	P1221328C
M10 - VCA60B3D	P1221329C
M11 - VCA18B2E	P1221330C
M12 - VCA24B2E	P1221331C
M13 - VCA30B2E	P1221332C
M14 - VCA36B2E	P1221333C
M15 - VCA42B2E	P1221334C
M16 - VCA48B2E	P1221335C
M17 - VCA60B2E	P1221336C
M18 - VCA36B3E	P1221337C
M19 - VCA48B3E	P1221338C
M20 - VCA60B3E	P1221339C
M21 - VCA36B2E	P1221340C

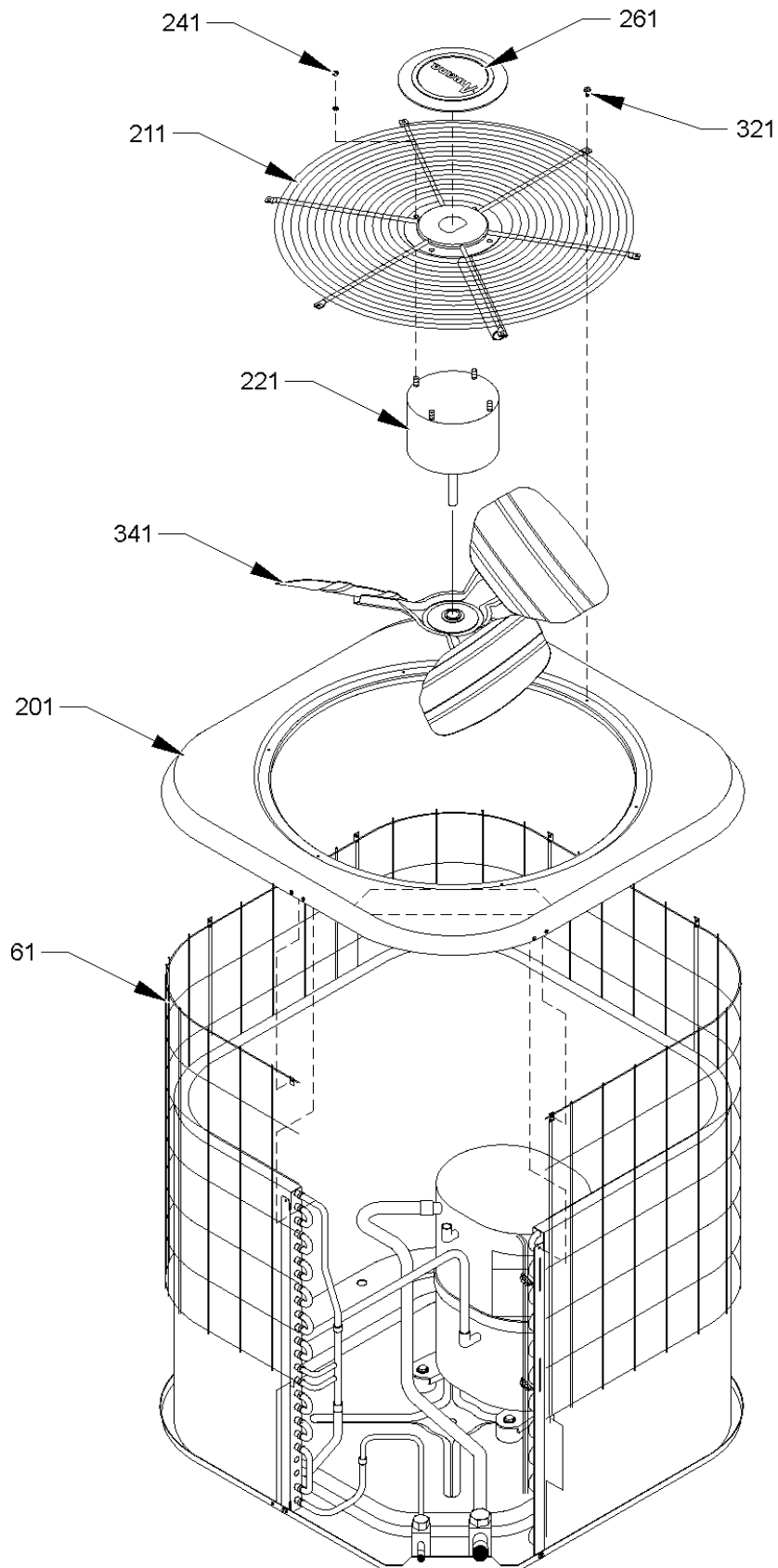
Coil/Compressor/Tubing Assembly



Coil/Compressor/Tubing Assembly

Ref. Part No:	No:	Description:	Ref. Part No:	No:	Description:
<i>Image 1:</i>			Expanded Model Nomenclature		
11	20159902	BASE PAN (M1, M2, M3)	M1 - VCA18B2D		P1221320C
11	20159903	BASE PAN (M11, M12, M13, M21)	M2 - VCA24B2D		P1221321C
11	20160003	BASE PAN (M14, M15, M16, M17, M18, M19, M20)	M3 - VCA30B2D		P1221322C
11	20160002	BASE PAN [OBSOLETE] (M4, M5, M6, M7, M8, M9, M10)	M4 - VCA36B2D		P1221323C
21	20361101	FILTER DRIER (M1, M2, M3, M11, M12, M13)	M5 - VCA42B2D		P1221324C
21	20361102	FILTER DRIER (M4, M5, M6, M7, M8, M9, M10, M14, M15, M16, M17, M18, M19, M20, M21)	M6 - VCA48B2D		P1221325C
31	CR22K6PFV960	COMPRESSOR 22100, 208/230/60/1 (M2, M12)	M7 - VCA60B2D		P1221326C
31	CR28K6PFV960	COMPRESSOR 28200, 208/230/60/1 (M3, M13)	M8 - VCA36B3D		P1221327C
31	10679716	COMPRESSOR AVB5538EXN (M5, M15)	M9 - VCA48B3D		P1221328C
31	10679711	COMPRESSOR AVD5545EXT (M9, M19)	M10 - VCA60B3D		P1221329C
31	10679724	COMPRESSOR AVD5558EXN (M7, M17)	M11 - VCA18B2E		P1221330C
31	10679725	COMPRESSOR AVD5558EXT (M10, M20)	M12 - VCA24B2E		P1221331C
31	10611917	COMPRESSOR AWF5516EXN (M1, M11)	M13 - VCA30B2E		P1221332C
31	10611923	COMPRESSOR AWF5532EXN (M4, M14)	M14 - VCA36B2E		P1221333C
31	10611927	COMPRESSOR AWF5532EXT (M8, M18)	M15 - VCA42B2E		P1221334C
31	10611931	COMPRESSOR AWF5533EXN (M21)	M16 - VCA48B2E		P1221335C
31	B9266206S	COMPRESSOR H23A463ABCA (M6, M16)	M17 - VCA60B2E		P1221336C
41	B1315401	COMPRESSOR GROMMET (M1, M2, M3, M4, M8, M11, M12, M13, M14, M18, M21)	M18 - VCA36B3E		P1221337C
41	C6466001	COMPRESSOR GROMMET (M5, M6, M7, M9, M10, M15, M16, M17, M19, M20)	M19 - VCA48B3E		P1221338C
51	M0221641	TF SHOULDER SCREW (QTY 4)	M20 - VCA60B3E		P1221339C
81	1272108	TUBING ASSY, COND COIL (M1, M11)	M21 - VCA36B2E		P1221340C
81	1272124G	TUBING ASSY, COND COIL (M2, M12)			
81	20180707	TUBING ASSY, COND COIL (M3, M13)			
81	20209003	TUBING ASSY, COND COIL (M6, M7, M9, M10, M16, M17, M19, M20)			
81	20180203	TUBING ASSY, COND COIL [OBSOLETE] (M4, M5, M8, M14, M15, M18)			
81	20366701	TUBING ASSY, COND COIL [OBSOLETE] (M21)			
91	20163902S	3/4" SERVICE VALVE (M3, M4, M8, M13, M14, M18, M21)			
91	20163901S	5/8" SERVICE VALVE (M1, M2, M11, M12)			
91	20163903S	7/8" SERVICE VALVE (M5, M6, M7, M9, M10, M15, M16, M17, M19, M20)			
291	20163801S	3/8" SERVICE VALVE			
NS	10651507	COMPRESSOR HARNESS (M1, M2, M3, M4, M11, M12, M13, M14, M21)			
NS	10651508	COMPRESSOR HARNESS (M5, M6, M15, M16)			
NS	10651509	COMPRESSOR HARNESS [OBSOLETE] (M7, M17)			

Cabinet Top and Grille



Cabinet Top and Grille

Ref. Part No:	No:	Description:	Ref. Part No:	No:	Description:
<i>Image 1:</i>					
61	20182516	FORMED GRILLE (M1, M2)			
61	20182517	FORMED GRILLE (M3)			
61	20182518	FORMED GRILLE (M4, M5, M8)			
61	20182519	FORMED GRILLE (M6, M7, M9, M10)			
61	20182522	FORMED GRILLE (M14, M15, M18)			
61	20182523	FORMED GRILLE (M16, M17, M19, M20)			
61	20182525	FORMED GRILLE (M11, M12)			
61	20182526	FORMED GRILLE (M13, M21)			
201	20160501	TOP PANEL (M11, M12, M13, M21)			
201	20160502	TOP PANEL (M1, M2, M3)			
201	20161203	TOP PANEL (M4, M5, M6, M7, M8, M9, M10)			
201	20161204	TOP PANEL [OBSOLETE] (M14, M15, M16, M17, M18, M19, M20)			
211	20362601	FAN GRILLE (M4, M5, M6, M7, M8, M9, M10)			
211	20515001	FAN GRILLE (M1, M2, M3, M11, M12, M13, M21)			
211	20362602	FAN GRILLE [OBSOLETE] (M14, M15, M16, M17, M18, M19, M20)			
221	10584321S	COND MOTOR (M4, M5, M6, M7, M8, M9, M10, M14, M15, M16, M17, M18, M19, M20)			
221	20181704S	COND MOTOR (M1, M2, M3, M11, M12, M13, M21)			
241	91000601	ACORN NUT [OBSOLETE] (QTY 4)			
261	20353301	AMANA NAMEPLATE DISC			
321	B1393507	SCREW,HWH,10X3/8,A,YZD (QTY 6)			
341	10625728	FAN BLADE (M21)			
341	10625725	FAN BLADE 17", 2 BLADE, 38° (M3, M13)			
341	10625727	FAN BLADE 18", 2 BLADE, 27° (M1, M2, M11, M12)			
341	10625726	FAN BLADE 22", 3 BLADE, 22° (M4, M5, M6, M7, M8, M9, M10, M14, M15, M16, M17, M18, M19, M20)			

Expanded Model Nomenclature

M1 - VCA18B2D	P1221320C
M2 - VCA24B2D	P1221321C
M3 - VCA30B2D	P1221322C
M4 - VCA36B2D	P1221323C
M5 - VCA42B2D	P1221324C
M6 - VCA48B2D	P1221325C
M7 - VCA60B2D	P1221326C
M8 - VCA36B3D	P1221327C
M9 - VCA48B3D	P1221328C
M10 - VCA60B3D	P1221329C
M11 - VCA18B2E	P1221330C
M12 - VCA24B2E	P1221331C
M13 - VCA30B2E	P1221332C
M14 - VCA36B2E	P1221333C
M15 - VCA42B2E	P1221334C
M16 - VCA48B2E	P1221335C
M17 - VCA60B2E	P1221336C
M18 - VCA36B3E	P1221337C
M19 - VCA48B3E	P1221338C
M20 - VCA60B3E	P1221339C
M21 - VCA36B2E	P1221340C