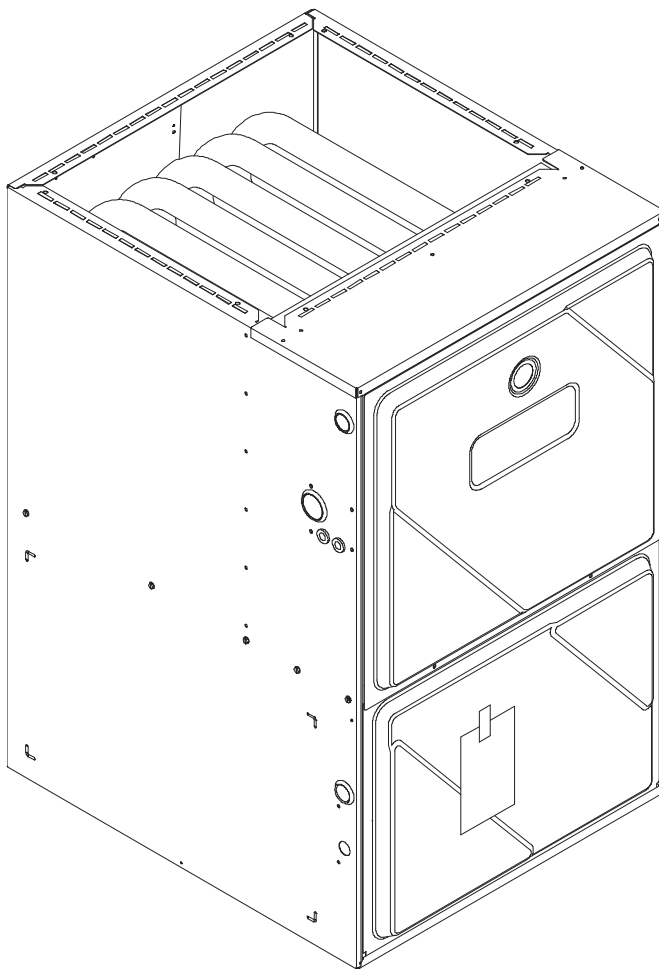


Models and manufacturing
numbers in this manual

GCCA045AX30	P1219501F
GCCA070AX30	P1219502F
GCCA070AX40	P1219503F
GCCA090AX40	P1219504F
GCCA090AX50	P1219505F
GCCA115AX50	P1219506F

Parts

GCCA Gas Furnace



This manual is to be used by qualified appliance technicians only. Amana does not assume any responsibility for property damage or personal injury for improper service procedures done by an unqualified person.

Amana

RP6610018
Revision 0
October 1998

Important Information

Amana is not responsible for personal injury or property damage resulting from improper service. Review all service information before beginning repairs.

Warranty service must be performed by an authorized technician, using authorized factory parts. If service is required after the warranty expires, Amana also recommends contacting an authorized technician and using authorized factory parts. Locate an authorized technician by calling 800-NATLSVC (800-628-5782).

For assistance within the U.S.A. contact:

Consumer Affairs Department
Amana
2800 220th Trail
Amana IA 52204-0001
319-622-5511--Telephone
319-622-2977--Facsimile

For assistance outside the U.S.A. contact:

International Division
Amana
2800 220th Trail
Amana IA 52204-0001
USA
319-622-5511--Telephone
319-622-8595--Facsimile

Index

Functional Parts List	5
Illustration and Parts	6 - 15

Views shown are for parts illustrations only, not servicing procedures.

Text Codes:

- AR - As Required
- 0000 - Not Shown
- QTY - Quantity Example (QTY 3) (If Quantity not shown, Quantity = 1)
- M - Model Example (M1) (If M Code not shown, then part is used on all Models)

Expanded Model and Color Nomenclature:

Example	
M1 - Model#1	P _____
M2 - Model#2	P _____
M3 - Model#3	P _____

Functional Parts

Part

No: Description:

10735102	BECKETT BURNER (QTY AR)
20190601	BLOWER-I.D.
D6879740	CAPACITOR (M6)
D6859332	CAPACITOR (M1, M5)
D6879746	CAPACITOR (M2, M3, M4)
11184504	CONTROL-IGNT
10735201	FLAME-SENSOR
20200908	HARNESS-WIRING (CIRCULATOR BLOWER)
20200906	HARNESS-WIRING (MAIN)
20165702	IGNITOR
20162904	LIMIT (M4)
20162906	LIMIT (M1, M2, M3, M5)
20162907	LIMIT (M6)
10123517	LIMIT (M1, M2, M3, M6) (QTY AR)
10123518	LIMIT-RESET MAN (M3, M5) (QTY 2)
10123515	LIMIT-RESET MAN (M4, M5) (QTY 2)
10123519	LIMIT-RESET MAN (M1, M2, M4, M6) (QTY 2)
10759309	MOTOR BLOWER 1/2 HP (M3, M4)
10759308	MOTOR BLOWER 1/2 HP (M2)
10759411	MOTOR-BLOW 3/4 HP (M5)
10759211	MOTOR-BLOWER 1/3 HP (M1)
10759412	MOTOR-BLOWER 3/4 HP (M6)
10716003	ORIFICE (QTY AR)
10690401	SWITCH-INTERLOCK
20197306	SWITCH-PRESSURE (QTY 2)
C6349703	TRANSFORMER
C6476907	VALVE-GAS

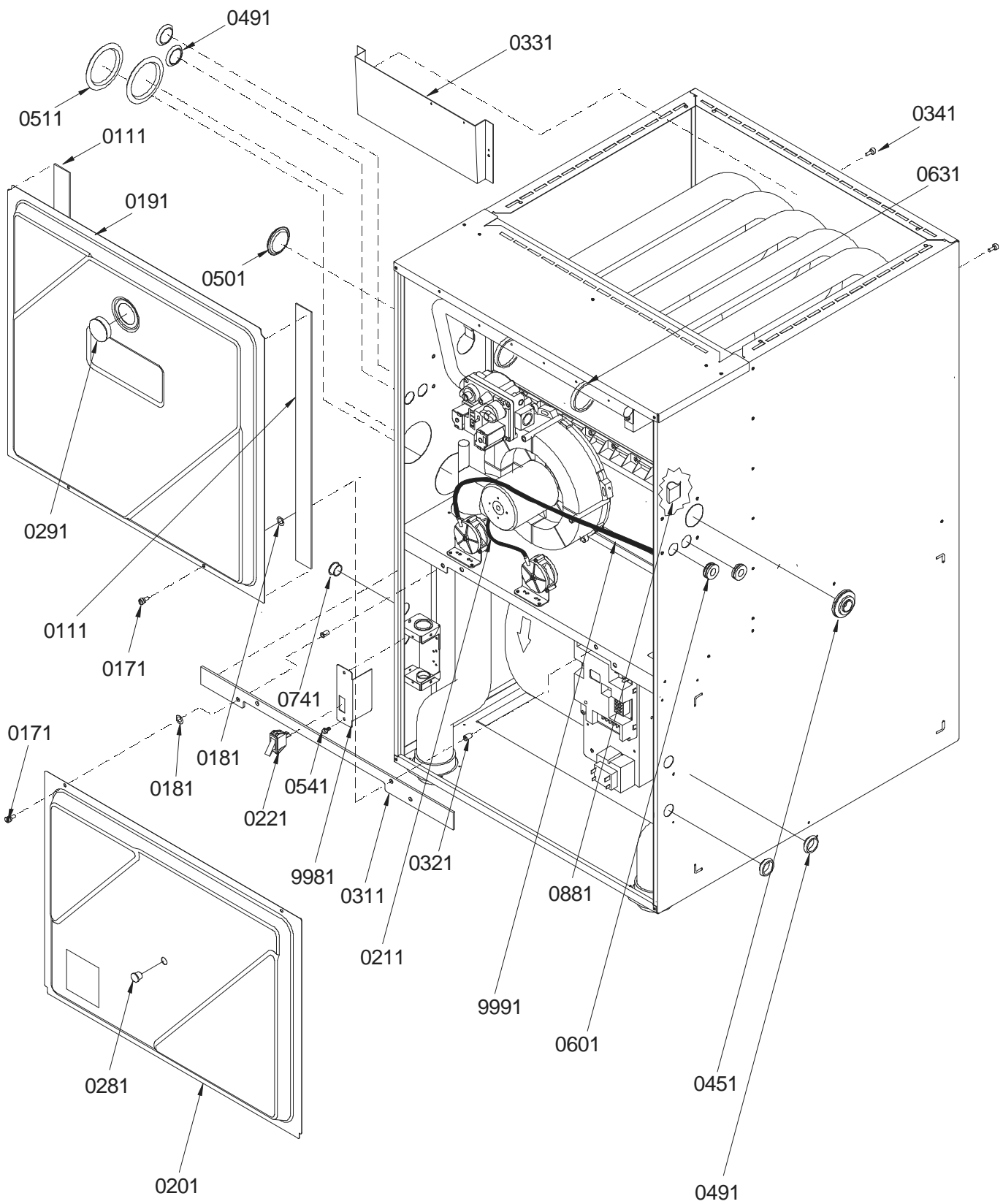
SPECIAL PARTS

11067349	INSTR-HI ALT FR
11067345	INSTR-INSTALL FR
11067348	INSTR-LP FR
10318721	INSTRUCT-INSTALL
RP6610018	MANUAL-PARTS
10318816	MANUAL-USERS
11067346	MANUAL-USERS FR
10195510	STNDPIPE BAG ASSY

Expanded Model and Color Nomenclature

M1 - GCCA045AX30	P1219501F
M2 - GCCA070AX30	P1219502F
M3 - GCCA070AX40	P1219503F
M4 - GCCA090AX40	P1219504F
M5 - GCCA090AX50	P1219505F
M6 - GCCA115AX50	P1219506F

Cabinet Assembly and Blower Mounting



Cabinet Assembly and Blower Mounting

Ref. No:	Part No:	Description:	Ref. No:	Part No:	Description:
<i>Image 1</i>					
0000	10368501	RAIL-FILTER			
0000	10261301	SCREEN-VENT			
0000	10261302	SCREEN-VENT			
0000	M0216716	SCREW-SM (QTY AR)			
0111	20179308	GASKET (QTY 2)			
0171	M0209716	SCREW-DECORATIVE (QTY AR)			
0181	M0273904	RETAINER-SCREW (QTY AR)			
0191	20177401	DOOR-ACCESS (M1, M2)			
0191	20177402	DOOR-ACCESS (M3, M4)			
0191	20177403	DOOR-ACCESS (M5, M6)			
0201	20177301	DOOR-BLOWER (M1, M2)			
0201	20177302	DOOR-BLOWER (M3, M4)			
0201	20177303	DOOR-BLOWER (M5, M6)			
0211	B1410311	HOSE-PRESSURE SW			
0221	10690401	SWITCH-INTERLOCK			
0281	11104001	SNAP-BUSHING CLR			
0291	11104002	SNAP-BUSHING CLR			
0311	20214101	GASKET-DECK (M1, M2)			
0311	20214102	GASKET-DECK (M3, M4)			
0311	20214103	GASKET-DECK (M5, M6)			
0321	M0294801	INSERT-KNURLED (QTY AR)			
0331	11165107	SHIELD ID BLOWER			
0341	M0219918	SCREW-SM (QTY AR)			
0451	M0501301	GROMMET-PIPE			
0491	M0570804	PLUG-BUTTON (QTY AR)			
0501	M0570802	PLUG-BUTTON			
0511	M0570803	PLUG-BUTTON (QTY AR)			
0541	M0216716	SCREW-SM (QTY AR)			
0601	A4691701	GROMMET (QTY AR)			
0631	M0321202	TIE-ELEC LG (QTY AR)			
0741	M0571002	BUSHING-SNAP (QTY AR)			
0881	M0104102	CLIP-CORD			
9981	10736202	COVER-HV BOX			
9991	B1410316	HOSE PRESSURE SW (M5, M6)			
9991	B1410301	HOSE-PRESSURE SW (M1, M2)			
9991	B1410304	HOSE-PRESSURE SW (M3, M4)			

Expanded Model and Color Nomenclature

M1 - GCCA045AX30	P1219501F
M2 - GCCA070AX30	P1219502F
M3 - GCCA070AX40	P1219503F
M4 - GCCA090AX40	P1219504F
M5 - GCCA090AX50	P1219505F
M6 - GCCA115AX50	P1219506F

Blower Assembly

Image 1

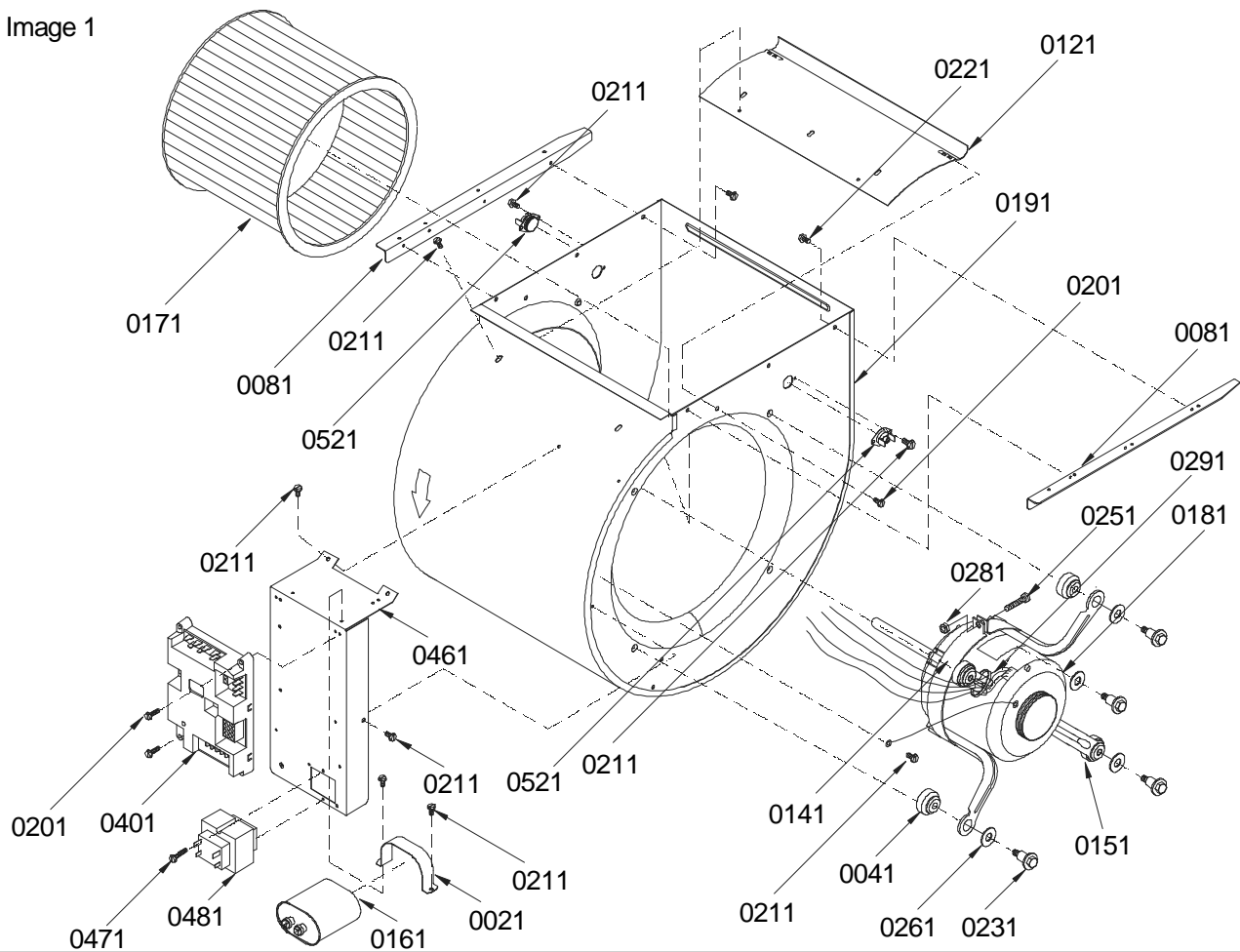
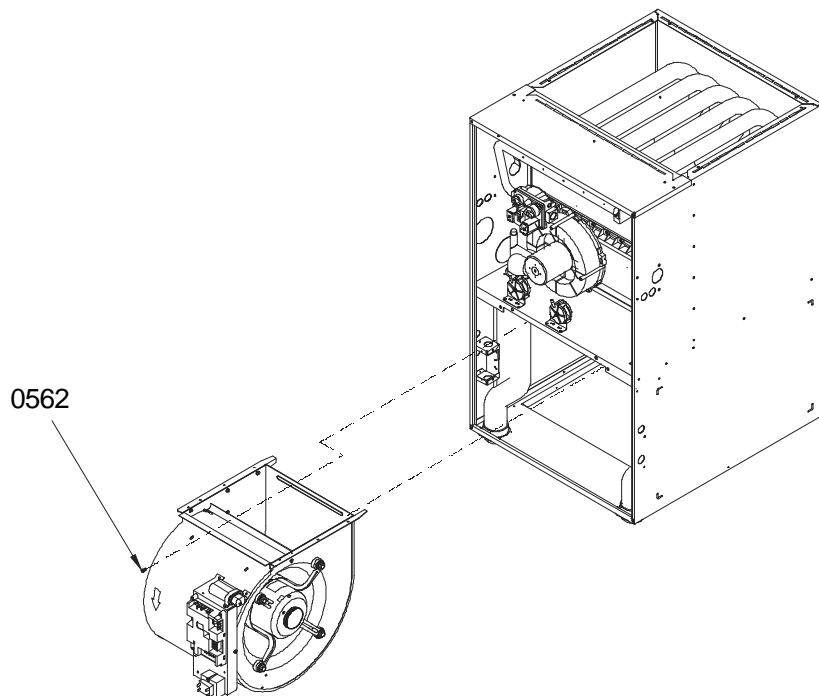


Image 2



Blower Assembly

Ref. No:	Part No:	Description:	Ref. No:	Part No:	Description:
<i>Image 1</i>					
0021	A3410501	STRAP-CAPACITOR (M2, M3, M4, M6)			
0021	A4055402	STRAP-CAPACITOR (M1, M5)			
0041	A4002701	GROMMET (QTY 4)			
0081	20175101	RAIL-BLWR SIDE (QTY 2)			
0121	C6121803	CUTOFF (M1, M2)			
0121	C6121806	CUTOFF (M3, M4)			
0121	C6121811	CUTOFF (M5, M6)			
0141	10441601	BAND-MTR MOUNT			
0151	10441501	ARM-MTR MOUNT (QTY 4)			
0161	D6859332	CAPACITOR (M1, M5)			
0161	D6879740	CAPACITOR (M6)			
0161	D6879746	CAPACITOR (M2, M3, M4)			
0171	D6723311	WHEEL-BLOWER (M6)			
0171	D6723319	WHEEL-BLOWER (M2)			
0171	D6723320	WHEEL-BLOWER (M3, M4, M5)			
0171	D6723321	WHEEL-BLOWER (M1)			
0181	10759308	MOTOR BLOWER 1/2 HP (M2)			
0181	10759309	MOTOR BLOWER 1/2 HP (M3, M4)			
0181	10759411	MOTOR-BLOW 3/4 HP (M5)			
0181	10759211	MOTOR-BLOWER 1/3 HP (M1)			
0181	10759412	MOTOR-BLOWER 3/4 HP (M6)			
0191	11185811	HOUSING WELD 11X10 (M5, M6)			
0191	11185809	HOUSING WELD 11X7 (M1, M2)			
0191	11185810	HOUSING WELD 11X9 (M3, M4)			
0201	M0211020	SCREW-SM (QTY AR)			
0211	M0219916	SCREW-SM (QTY AR)			
0221	M0253516	SCREW-TR (QTY AR)			
0231	M0221461	SCREW-TC (QTY 4)			
0251	M0267144	SCREW-MACH			
0261	M0274008	WASHER-FLAT (QTY 4)			
0281	M0282015	NUT-KEPS			
0291	M0321202	TIE-ELEC LG			
0401	11184504	CONTROL-IGNT			
0461	10746204	BRKT-CONTROL			
0471	M0216536	SCREW-SM (QTY AR)			
0481	C6349703	TRANSFORMER			
0521	10123518	LIMIT-RESET MAN (M3, M5) (QTY 2)			
0521	10123519	LIMIT-RESET MAN (M1, M2, M4, M6) (QTY 2)			

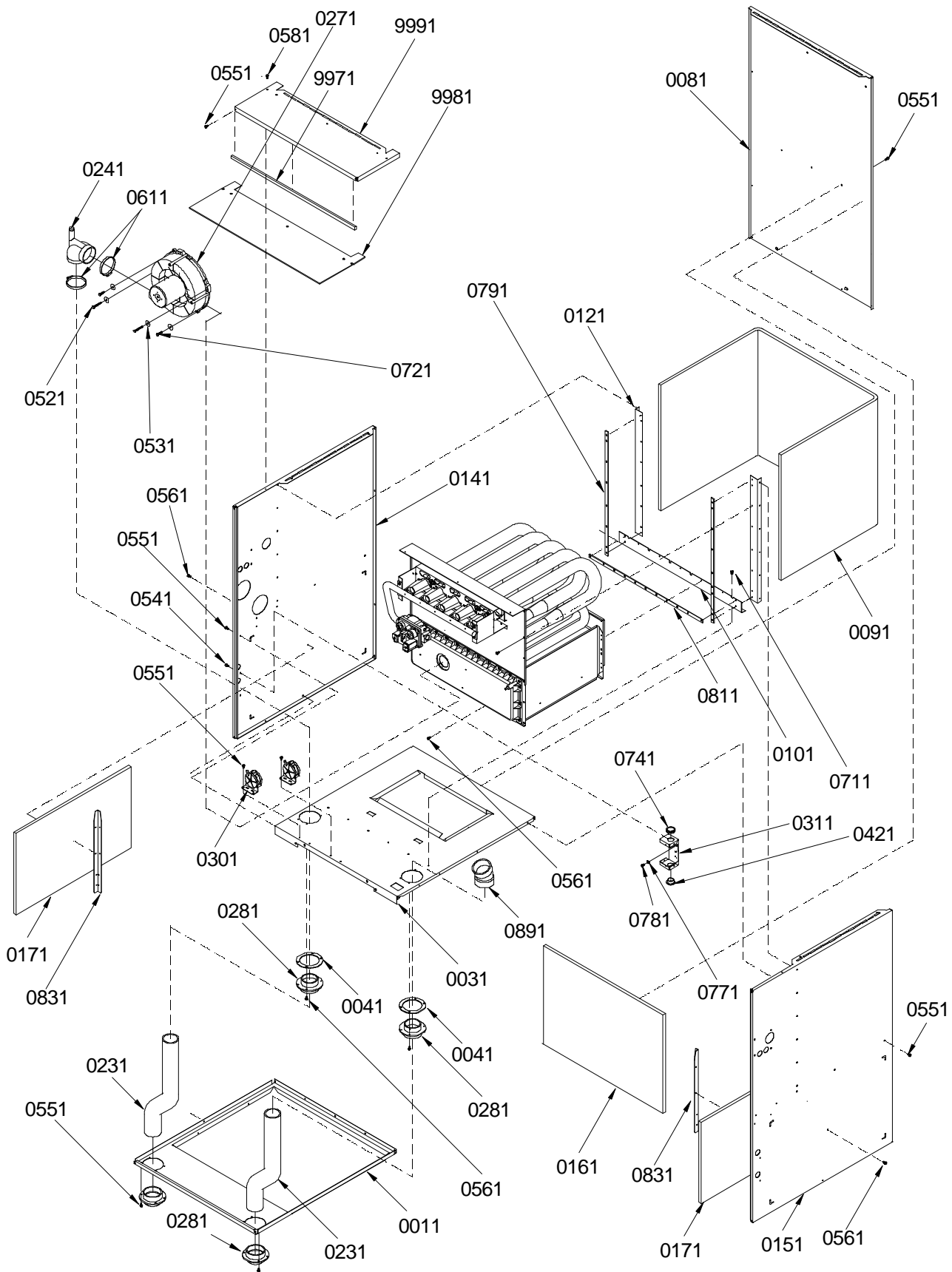
Image 2

0562	M0219918	SCREW-SM (QTY AR)
------	----------	-------------------

Expanded Model and Color Nomenclature

M1 - GCCA045AX30	P1219501F
M2 - GCCA070AX30	P1219502F
M3 - GCCA070AX40	P1219503F
M4 - GCCA090AX40	P1219504F
M5 - GCCA090AX50	P1219505F
M6 - GCCA115AX50	P1219506F

Cabinet Assembly



Cabinet Assembly

Ref. No:	Part No:	Description:	Ref. No:	Part No:	Description:
<i>Image 1</i>			9991	20192805	COVER (M3, M4)
0011	20193201	BASEPAN-C'FLOW (M1, M2)	9991	20192806	COVER (M5, M6)
0011	20193202	BASEPAN-C'FLOW (M3, M4)	Expanded Model and Color Nomenclature		
0011	20193203	BASEPAN-C'FLOW (M5, M6)	M1 - GCCA045AX30	P1219501F	
0031	20190207	DECK-BLOWER CF (M1, M2)	M2 - GCCA070AX30	P1219502F	
0031	20190208	DECK-BLOWER CF (M3, M4)	M3 - GCCA070AX40	P1219503F	
0031	20190209	DECK-BLOWER CF (M5, M6)	M4 - GCCA090AX40	P1219504F	
0041	20215701	GASKET-COIL (M1, M2) (QTY 2)	M5 - GCCA090AX50	P1219505F	
0041	20215702	GASKET-COIL (M3, M4) (QTY 2)	M6 - GCCA115AX50	P1219506F	
0041	20215703	GASKET-COIL (M5, M6) (QTY 2)			
0081	20166004	PANEL-BACK (M1, M2)			
0081	20166005	PANEL-BACK (M3, M4)			
0081	20166006	PANEL-BACK (M5, M6)			
0091	C6415907	INSUL-HT EX (M1, M2)			
0091	C6415908	INSUL-HT EX (M3, M4)			
0091	C6415909	INSUL-HT EX (M5, M6)			
0101	20191301	RAIL-DECK (M1, M2)			
0101	20191302	RAIL-DECK (M3, M4)			
0101	20191303	RAIL-DECK (M5, M6)			
0121	20191601	RAIL-SIDE (QTY 2)			
0141	20193402	PANEL-SIDE LH CF			
0151	20193302	PANEL-SIDE RH CF			
0161	20006601	INSULATION (M1, M2)			
0161	20006602	INSULATION (M3, M4)			
0161	20006603	INSULATION (M5, M6)			
0171	20006604	INSULATION-SIDE (QTY 2)			
0231	20190504	PIPE-FLUE FA (QTY 2)			
0241	20171801	ELBOW			
0271	20190601	BLOWER-I.D.			
0281	20049701	COUPLING-FA (QTY 4)			
0301	20197306	SWITCH-PRESSURE (QTY 2)			
0311	10736102	BOX-HIGH VOLTAGE			
0421	A4554801	BUSHING-SNAP			
0521	M0218154	SCREW-SM (QTY AR)			
0531	M0270544	WASHER-FLAT (QTY AR)			
0541	M0216716	SCREW-SM (QTY AR)			
0551	M0219916	SCREW-SM (QTY AR)			
0561	M0219918	SCREW-SM (QTY AR)			
0581	M0211530	SCREW-SM (QTY AR)			
0611	A3326008	CLAMP-HOSE (QTY AR)			
0711	M0216714	SCREW-SM (QTY AR)			
0721	M0218153	SCREW-SM (QTY AR)			
0741	M0571002	BUSHING-SNAP (QTY AR)			
0771	M0270001	WASHER-CUP			
0781	M0227803	SCREW-TC			
0791	20194604	GASKET (QTY 2)			
0811	20194601	GASKET (M1, M2)			
0811	20194602	GASKET (M3, M4)			
0811	20194603	GASKET (M5, M6)			
0831	20175101	RAIL-BLWR SIDE (QTY 2)			
0891	C6455901	ELBOW-22 1/2 ELL			
9971	20179305	GASKET (M1, M2)			
9971	20179306	GASKET (M3, M4)			
9971	20179307	GASKET (M5, M6)			
9981	20192701	INSULATION (M1, M2)			
9981	20192702	INSULATION (M3, M4)			
9981	20192703	INSULATION (M5, M6)			
9991	20192804	COVER (M1, M2)			

Heat Exchanger/Manifold Assembly

Image 1

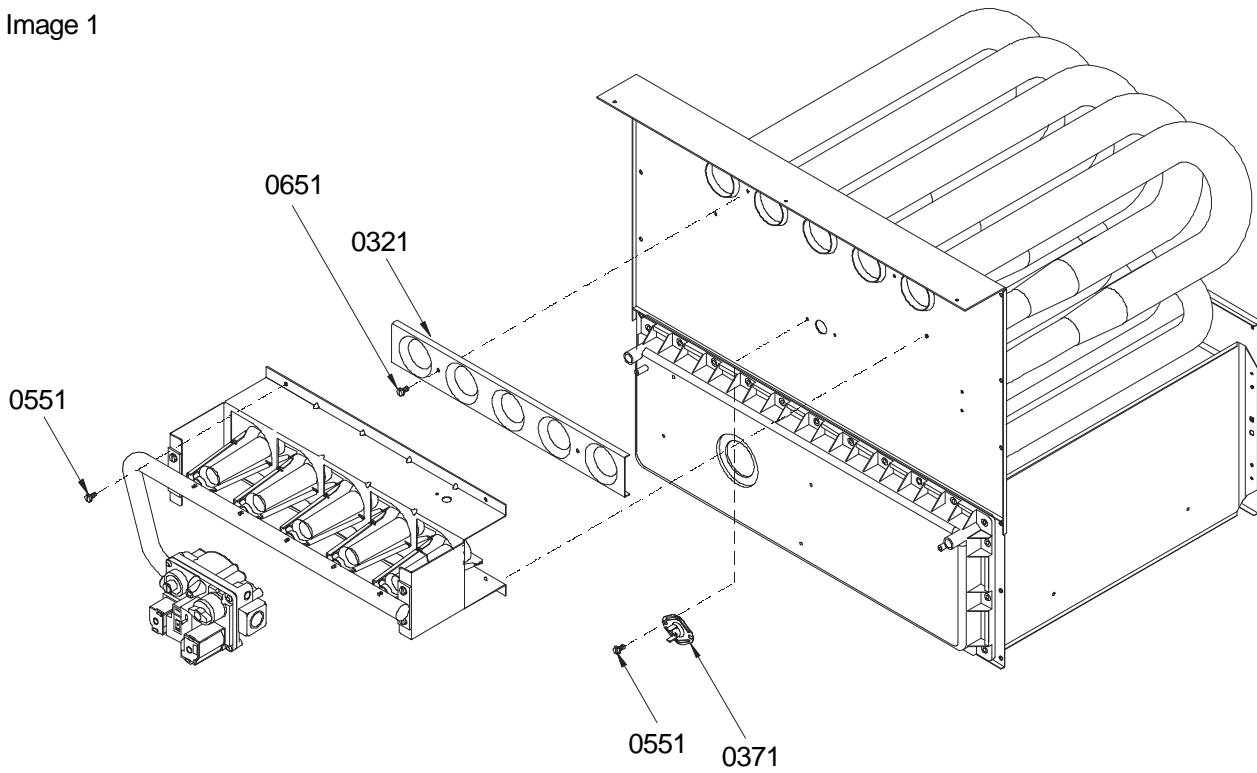
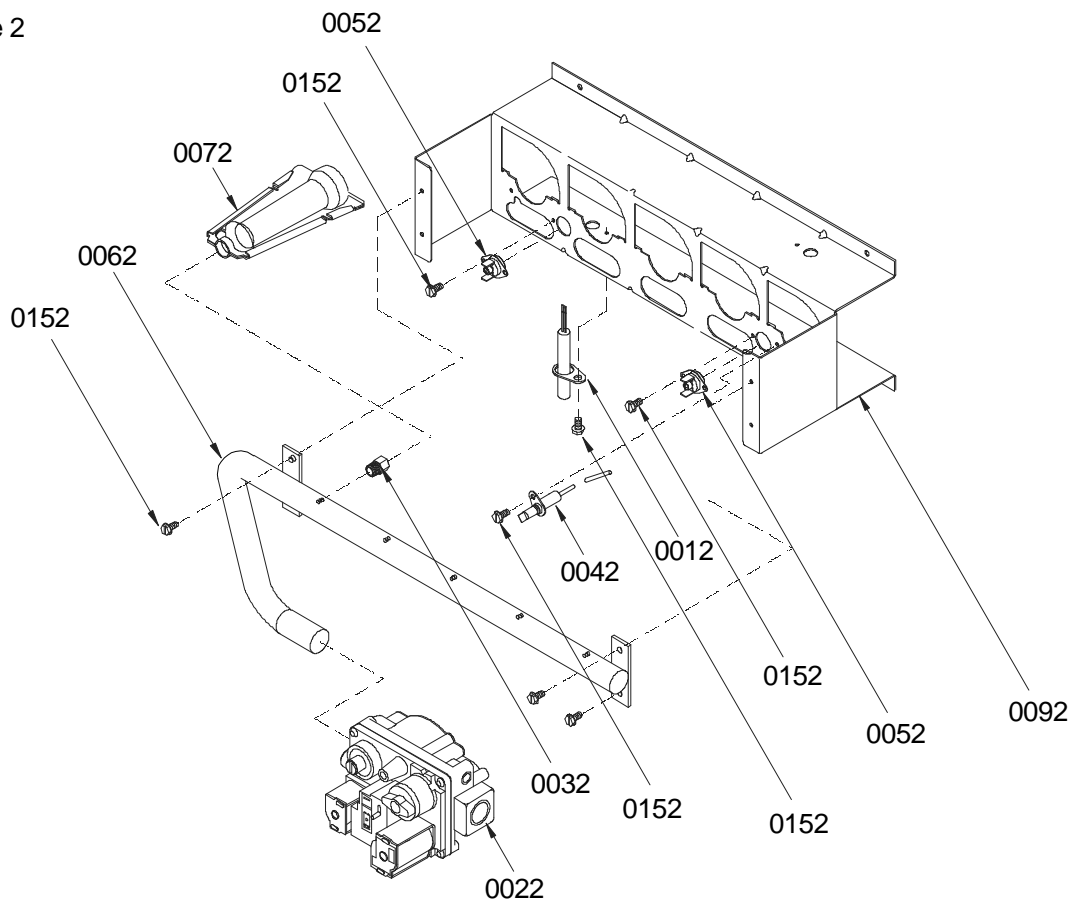


Image 2



Heat Exchanger/Manifold Assembly

Ref. No:	Part No:	Description:	Ref. No:	Part No:	Description:
<i>Image 1</i>					
0321	11072201	SHIELD-ORIFICE (M1)			
0321	11072202	SHIELD-ORIFICE (M2, M3)			
0321	11072203	SHIELD-ORIFICE (M4, M5)			
0321	11072204	SHIELD-ORIFICE (M6)			
0371	20162904	LIMIT (M4)			
0371	20162906	LIMIT (M1, M2, M3, M5)			
0371	20162907	LIMIT (M6)			
0551	M0219916	SCREW-SM (QTY AR)			
0651	M0211020	SCREW-SM (QTY AR)			

<i>Image 2</i>					
0012	20165702	IGNITOR			
0022	C6476907	VALVE-GAS			
0032	10716003	ORIFICE (QTY AR)			
0042	10735201	FLAME-SENSOR			
0052	10123517	LIMIT (M1, M2, M3, M6) (QTY AR)			
0052	10123515	LIMIT-RESET MAN (M4, M5) (QTY 2)			
0062	20196401	MANIFOLD (M1)			
0062	20196402	MANIFOLD (M2, M3)			
0062	20196403	MANIFOLD (M4, M5)			
0062	20196404	MANIFOLD (M6)			
0072	10735102	BECKETT BURNER (QTY AR)			
0092	20190401	BRKT-BURNER (M1)			
0092	20190402	BRKT-BURNER (M2, M3)			
0092	20190403	BRKT-BURNER (M4, M5)			
0092	20190404	BRKT-BURNER (M6)			
0152	M0219916	SCREW-SM (QTY AR)			

Expanded Model and Color Nomenclature

M1 - GCCA045AX30	P1219501F
M2 - GCCA070AX30	P1219502F
M3 - GCCA070AX40	P1219503F
M4 - GCCA090AX40	P1219504F
M5 - GCCA090AX50	P1219505F
M6 - GCCA115AX50	P1219506F

Recupe Coil Assembly

Image 1

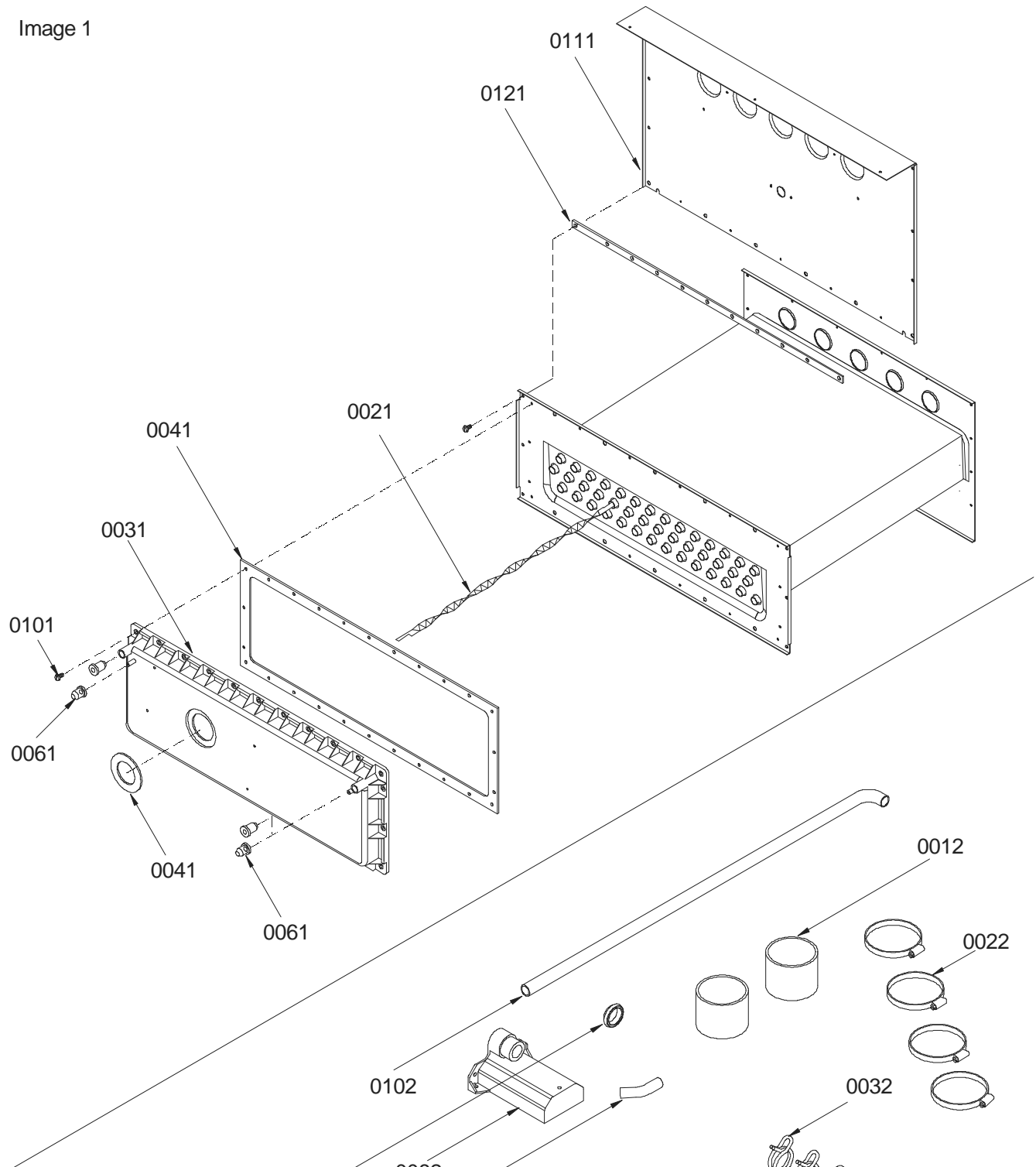
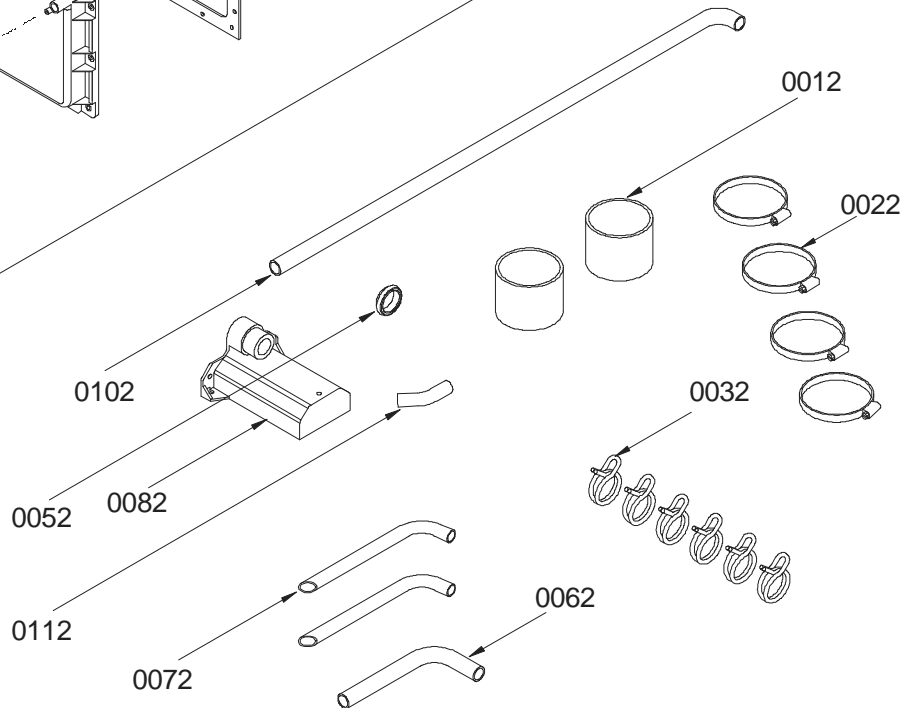


Image 2



Recupe Coil Assembly

Ref. No:	Part No:	Description:	Ref. No:	Part No:	Description:
----------	----------	--------------	----------	----------	--------------

Image 1

0021	11086005	TURBULATOR (QTY AR)
0031	20170801	COVER-FRONT (M1)
0031	20170802	COVER-FRONT (M2)
0031	20170901	COVER-FRONT (M3)
0031	20170902	COVER-FRONT (M4)
0031	20171001	COVER-FRONT (M5)
0031	20171002	COVER-FRONT (M6)
0041	20215701	GASKET-COIL (M1, M2)
0041	20215702	GASKET-COIL (M3, M4)
0041	20215703	GASKET-COIL (M5, M6)
0061	M0326804	PLUG-TUBE (QTY AR)
0101	M0211031	SCREW-SM (QTY AR)
0111	20191401	PANEL-PART 2B (M1)
0111	20191402	PANEL-PART 3B (M2)
0111	20191403	PANEL-PART 3B (M3)
0111	20191404	PANEL-PART 4B (M4)
0111	20191405	PANEL-PART 4B (M5)
0111	20191406	PANEL-PART 5B (M6)
0121	20194601	GASKET (M1, M2)
0121	20194602	GASKET (M3, M4)
0121	20194603	GASKET (M5, M6)

Image 2

0000	M0570803	PLUG-BUTTON (QTY AR)
0012	10254303	COUPLING-RUBBER (QTY AR)
0022	A3326008	CLAMP-HOSE (QTY AR)
0032	M0119207	CLAMP-HOSE (QTY AR)
0052	M0570804	PLUG-BUTTON
0062	20201901	HOSE-DRAIN
0072	20201801	TUBE-DRAIN (QTY AR)
0082	20171701	DRAIN TRAP
0102	20201902	HOSE-DRAIN
0112	20214201	DRAIN-ANGLE

Expanded Model and Color Nomenclature

M1 - GCCA045AX30	P1219501F
M2 - GCCA070AX30	P1219502F
M3 - GCCA070AX40	P1219503F
M4 - GCCA090AX40	P1219504F
M5 - GCCA090AX50	P1219505F
M6 - GCCA115AX50	P1219506F