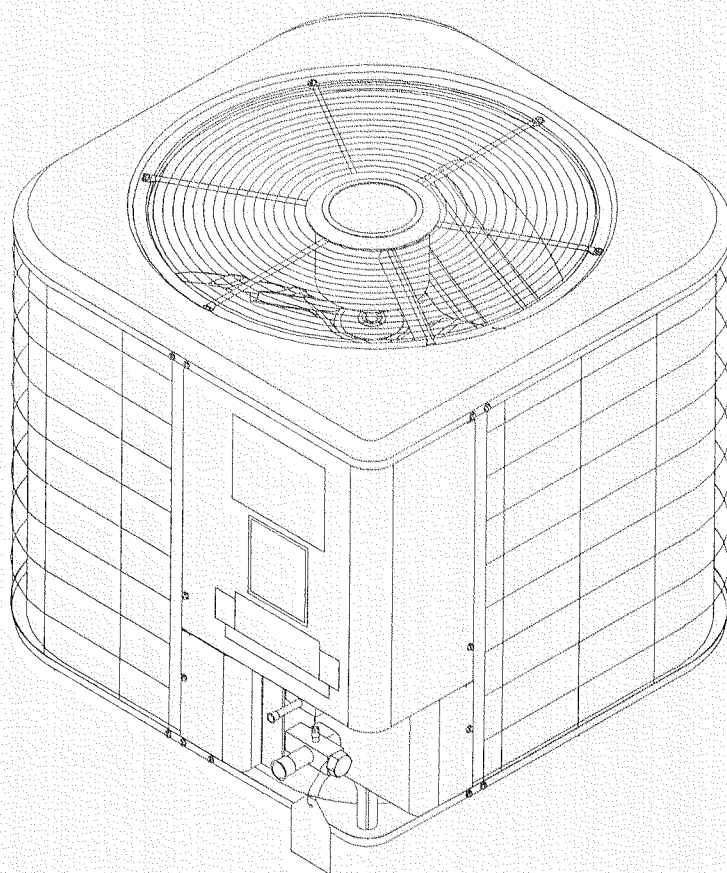


Parts

VCB Series Remote Cooling

Parts Manual for
Amana®



Models and manufacturing
numbers in this manual

VCB18A2A	P1219201C
VCB24A2A	P1219202C
VCB30A2A	P1219203C
VCB36A2A	P1219204C
VCB42A2A	P1219205C
VCB48A2A	P1219206C
VCB60A2A	P1219207C

This manual is to be used by qualified appliance technicians only. Amana does not assume any responsibility for property damage or personal injury for improper service procedures done by an unqualified person.

Amana
Raytheon Appliances

RP6110013
Revision 0
March 1997

Important Information

Raytheon Appliances is not responsible for personal injury or property damage resulting from improper service. Review all service information before beginning repairs.

Warranty service must be performed by an authorized technician, using authorized factory parts. If service is required after the warranty expires, Raytheon Appliances also recommends contacting an authorized technician and using authorized factory parts. Locate an authorized technician by calling 800-NATLSVC (800-628-5782).

For assistance within the U.S.A. contact:

Consumer Affairs Department
Amana, Raytheon Appliances
2800 220th Trail
PO Box 8901
Amana IA 52204-0001
319-622-5511--Telephone
319-622-2977--Facsimile

For assistance outside the U.S.A. contact:

International Division
Amana, Raytheon Appliances
2800 220th Trail
PO Box 8901
Amana IA 52204-0001
USA
319-622-5511--Telephone
319-622-8595--Facsimile

Index

Functional Parts List	5
Illustration and Parts	6 - 13

Views shown are for parts illustrations only, not servicing procedures.

Text Codes:

AR - As Required

0000 - Not Shown

QTY - Quantity Example (QTY 3) (If Quantity not shown, Quantity = 1)

M - Model Example (M1) (If M Code not shown, then part is used on all Models)

Expanded Model and Color Nomenclature:

Example	
M1 - Model#1	P _____
M2 - Model#2	P _____
M3 - Model#3	P _____

Functional Parts

Part

No: Description:

D6789029	CAPACITOR-DUAL (M5, M6, M7)
D6789031	CAPACITOR-METAL (M3, M4)
D6789049	CAPACITOR-POLY (M1, M2)
10679713	COMP-TC AVB5538EXN (M5)
10679714	COMP-TC AVB5542EXN (M6)
10679715	COMP-TC AVB5558EXN (M7)
10611912	COMP-TC AWC5515EXD (M1)
10611913	COMP-TC AWC5522EXD (M2)
10611914	COMP-TC AWC5526EXD (M3)
10611915	COMP-TC AWC5532EXD (M4)
C6170004	CONTACTOR-25A (M1, M2, M3, M4, M5)
C6170002	CONTACTOR-30A (M6)
C6170003	CONTACTOR-35A (M7)
10651509	HARNESS-COMP (M7)
10651507	HARNESS-COMP (M1, M2, M3, M4)
10651508	HARNESS-COMP (M5, M6)
10584314	MOTOR-COND (M1, M2, M3, M4)
10584316	MOTOR-COND (M5, M6, M7)
11076301	PISTON-ORIFICE 0512 (M1)
11076304	PISTON-ORIFICE 0610 (M2)
11076305	PISTON-ORIFICE 0630 (M3)
11076318	PISTON-ORIFICE 0710 (M4)
11076309	PISTON-ORIFICE 0760 (M5)
11076311	PISTON-ORIFICE 0810 (M6)
11076315	PISTON-ORIFICE 0980 (M7)

SPECIAL PARTS

10652403	MANUAL-INSTAL
10659201	MANUAL-OWNERS
RP6110013	MANUAL-PARTS
11070158	VCB18A2A-SPEC SHT (M1)
11070159	VCB24A2A-SPEC SHT (M2)
11070160	VCB30A2A-SPEC SHT (M3)
11070161	VCB36A2A-SPEC SHT (M4)
11070162	VCB42A2A-SPEC SHT (M5)
11070163	VCB48A2A-SPEC SHT (M6)
11070164	VCB60A2A-SPEC SHT (M7)

Expanded Model and Color Nomenclature

M1 - VCB18A2A	P1219201C
M2 - VCB24A2A	P1219202C
M3 - VCB30A2A	P1219203C
M4 - VCB36A2A	P1219204C
M5 - VCB42A2A	P1219205C
M6 - VCB48A2A	P1219206C
M7 - VCB60A2A	P1219207C

Compressor

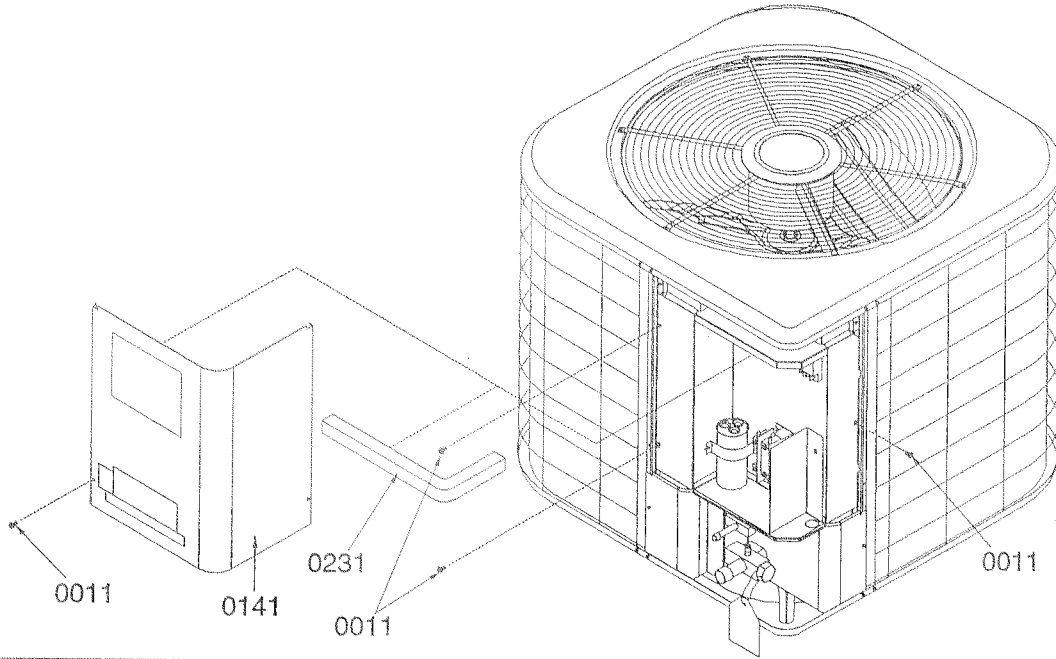
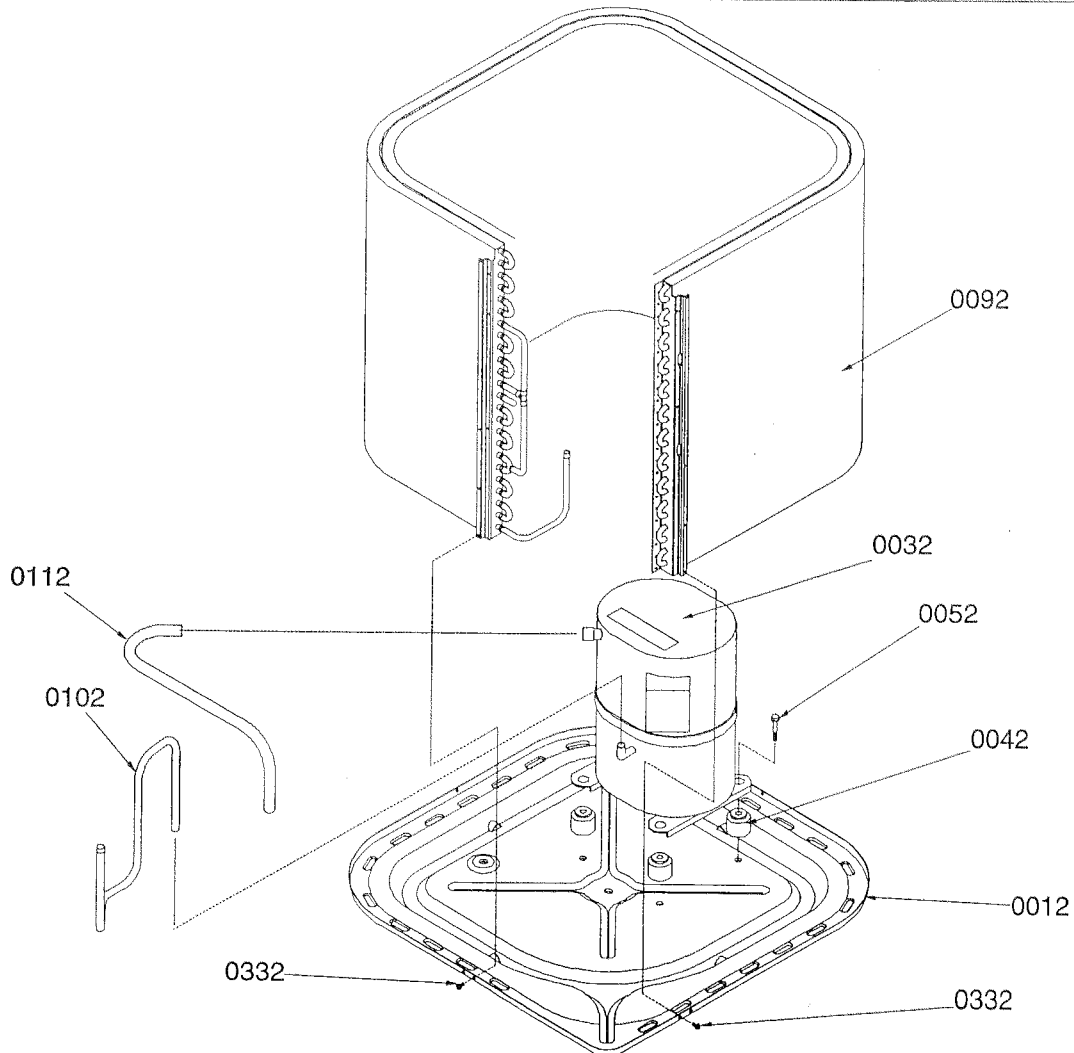


Image1

Image2



Compressor

Ref. Part No:	Part No:	Description:	Ref. Part No:	Part No:	Description:
---------------	----------	--------------	---------------	----------	--------------

Image 1

0011	M0220816	SCREW-SM (QTY 5)
0141	10589911	CONT COVER (M1, M2, M3, M4, M5)
0141	10589912	CONT COVER (M6, M7)
0231	11182802	GASKET-FOAM

Image 2

0012	10795004	BASEPAN (M6, M7)
0012	20027602	BASEPAN (M1, M2, M3)
0012	20027802	BASEPAN (M4, M5)
0032	10679713	COMP-TC AVB5538EXN (M5)
0032	10679714	COMP-TC AVB5542EXN (M6)
0032	10679715	COMP-TC AVB5558EXN (M7)
0032	10611912	COMP-TC AWC5515EXD (M1)
0032	10611913	COMP-TC AWC5522EXD (M2)
0032	10611914	COMP-TC AWC5526EXD (M3)
0032	10611915	COMP-TC AWC5532EXD (M4)
0042	10107301	GROMMET-COMP (M5) (QTY 4)
0042	B1315401	GROMMET-COMP (M1, M2, M3, M4) (QTY 4)
0042	C6466001	GROMMET-COMP (M6, M7) (QTY 4)
0052	M0221641	SCREW-SHOULDER TF (QTY 4)
0092	11137805	COND ASSY (M6)
0092	11137806	COND ASSY (M7)
0092	11181003	COND ASSY (M4, M5)
0092	11183807	COND ASSY (M2)
0092	11183808	COND ASSY (M3)
0092	20020303	COND ASSY (M1)
0102	10717601	TUBE-SUCTION (M5)
0102	11184001	TUBE-SUCTION (M3)
0102	11184002	TUBE-SUCTION (M1, M2)
0102	11189202	TUBE-SUCTION (M4)
0102	20016401	TUBE-SUCTION (M6, M7)
0112	20015201	DISCH WELD (M6, M7)
0112	10717502	TUBE-DISCH (M5)
0112	10799802	TUBE-DISCH (M4)
0112	10821001	TUBE-DISCH (M1)
0112	20002501	TUBE-DISCH (M2, M3)
0332	M0220816	SCREW-SM (QTY AR)

Expanded Model and Color Nomenclature

M1 - VCB18A2A	P1219201C
M2 - VCB24A2A	P1219202C
M3 - VCB30A2A	P1219203C
M4 - VCB36A2A	P1219204C
M5 - VCB42A2A	P1219205C
M6 - VCB48A2A	P1219206C
M7 - VCB60A2A	P1219207C

Tubing

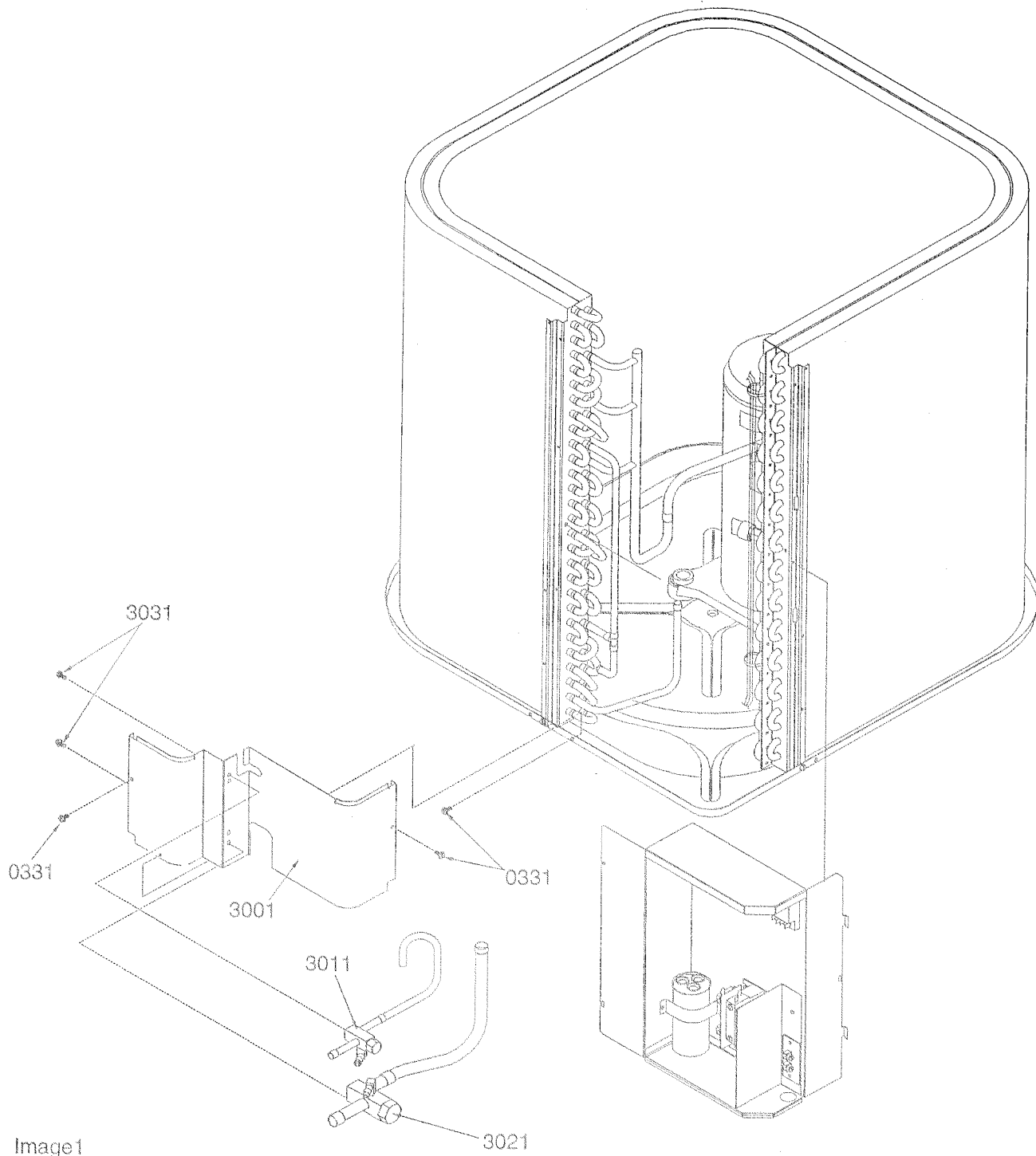


Image1

Image2

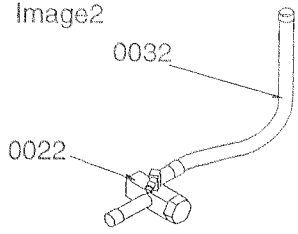


Image3

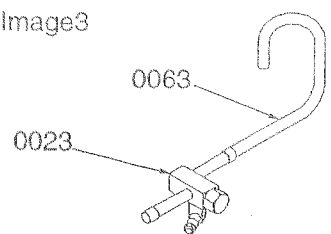
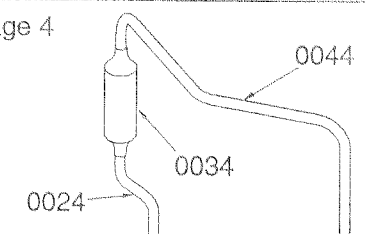


Image 4



Tubing

Ref. Part
No: No:

Description:

Ref. Part
No: No:

Description:

Image 1

0000	11107802	CLIP-COIL GRILLE (M6, M7)
0331	M0220816	SCREW-SM (QTY AR)
3001	10576206	SWT VLV BRKT
3011	11055820	LIQUID VALVE
3021	11030914	SWEAT VALVE (M1)
3021	11030915	SWEAT VALVE (M3, M4)
3021	11030916	SWEAT VALVE (M6)
3021	11030916	SWEAT VALVE (M5)
3021	11030918	SWEAT VALVE (M7)
3021	11030919	SWEAT VALVE (M2)
3031	M0220816	SCREW-SM (QTY AR)

Image 2

0022	20023002	VALVE-SWEAT (M1, M2)
0022	20023003	VALVE-SWEAT (M3, M4)
0022	20023004	VALVE-SWEAT (M5, M6, M7)
0032	10639903	TUBE-SUC/SWT VLV (M2)
0032	10719902	TUBE-SUCTION (M5, M6)
0032	10719903	TUBE-SUCTION (M7)
0032	10639902	TUBE-SWEAT VLV (M1)
0032	10719802	TUBE-SWT VLV (M3, M4)

Image 3

0023	20023001	VALVE-SWEAT
0063	11048703	TUBE-SWEAT VLV

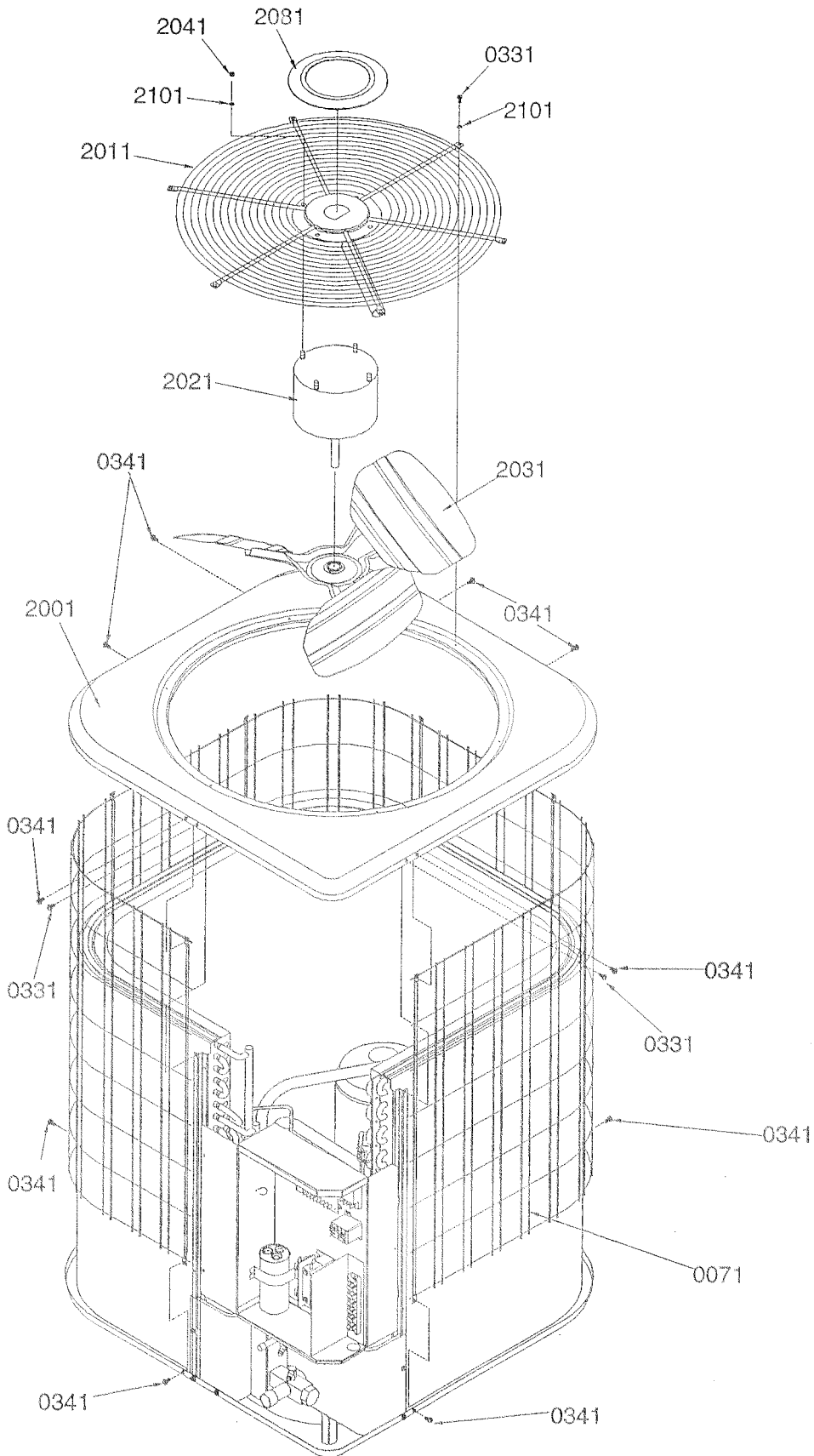
Image 4

0024	20016501	TUBE-DISCH (M6, M7)
0034	10550302	MUFFLER (M6, M7)
0044	20015301	TUBE-DISCH (M6, M7)

Expanded Model and Color Nomenclature

M1 - VCB18A2A	P1219201C
M2 - VCB24A2A	P1219202C
M3 - VCB30A2A	P1219203C
M4 - VCB36A2A	P1219204C
M5 - VCB42A2A	P1219205C
M6 - VCB48A2A	P1219206C
M7 - VCB60A2A	P1219207C

Outer Cabinet



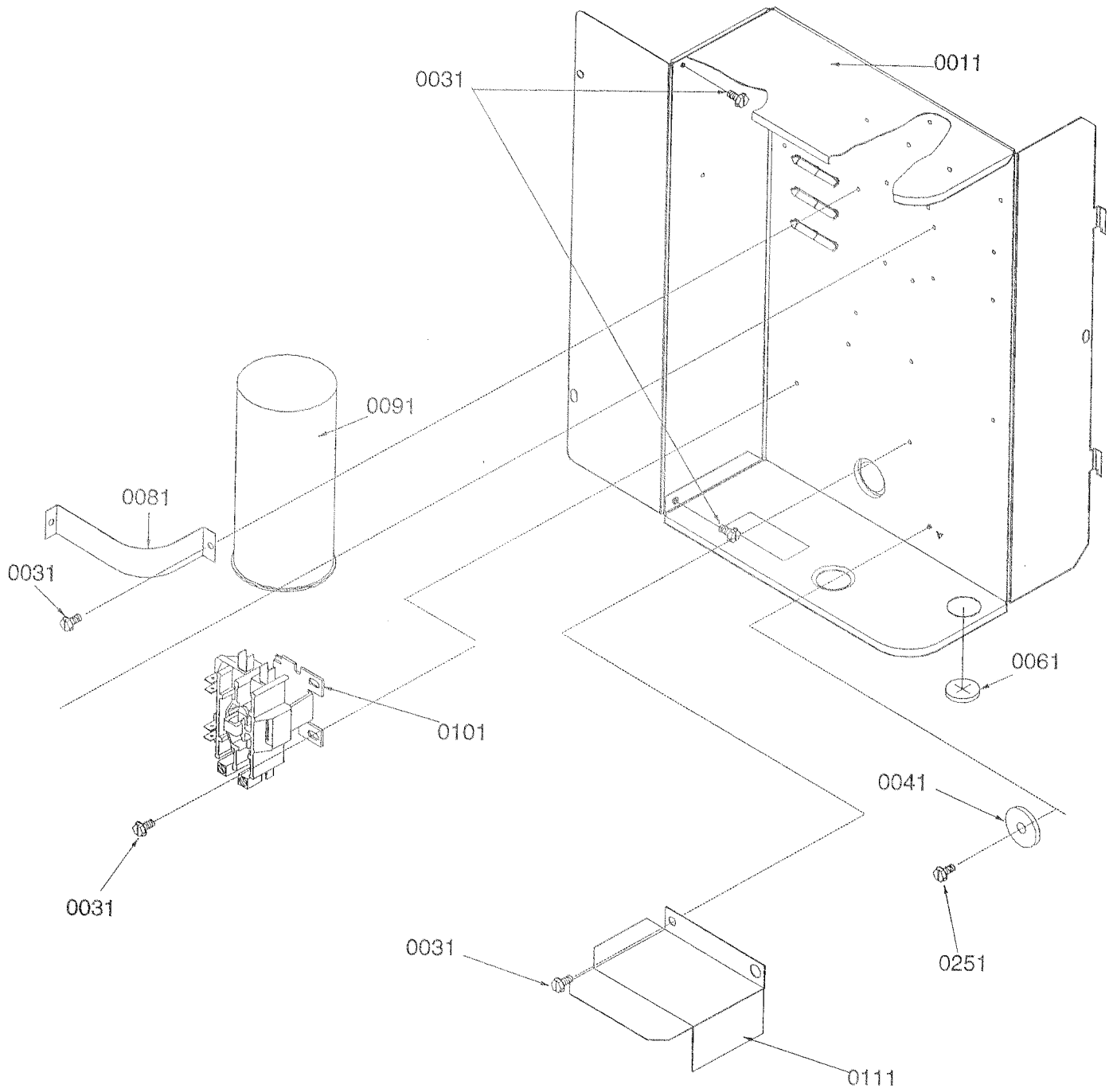
Outer Cabinet

Ref. Part No:	Part No:	Description:	Ref. Part No:	Part No:	Description:
<i>Image 1</i>					
0071	20030501	GRILLE-FORMED (M1, M2, M3)			
0071	20030504	GRILLE-FORMED (M4, M5)			
0071	20030506	GRILLE-FORMED (M6, M7)			
0331	M0220816	SCREW-SM (QTY AR)			
0341	M0229130	SCREW-SD (QTY AR)			
2001	20027702	TOP COVER (M1, M2, M3)			
2001	20027902	TOP COVER (M4, M5)			
2001	20028102	TOP COVER (M6, M7)			
2011	10589801	GRILLE-FAN (M1, M2, M3)			
2011	10589802	GRILLE-FAN (M4, M5)			
2011	10589804	GRILLE-FAN (M6, M7)			
2021	10584314	MOTOR-COND (M1, M2, M3, M4)			
2021	10584316	MOTOR-COND (M5, M6, M7)			
2031	10625712	FAN-CONDENSER (M4)			
2031	10625713	FAN-CONDENSER (M5)			
2031	10625714	FAN-CONDENSER (M6, M7)			
2031	10625715	FAN-CONDENSER (M1, M2, M3)			
2041	M0280801	NUT-HEX (QTY 4)			
2081	10651101	DISK-LOGO			
2101	M0272803	WASHER-LOCK (QTY 2)			

Expanded Model and Color Nomenclature

M1 - VCB18A2A	P1219201C
M2 - VCB24A2A	P1219202C
M3 - VCB30A2A	P1219203C
M4 - VCB36A2A	P1219204C
M5 - VCB42A2A	P1219205C
M6 - VCB48A2A	P1219206C
M7 - VCB60A2A	P1219207C

Control Box



Control Box

Ref. Part

No: No:

Description:

Ref. Part

No: No:

Description:

Image 1

0000	A4554807	BUSHING-SNAP
0011	11174704	CONTROL BOX-1 PIECE
0031	M0216517	SCREW-SM (QTY 14)
0041	M0270001	WASHER-CUP
0061	A4603801	GROMMET
0081	C6300512	STRAP-CAPACITOR (M1, M2)
0081	C6300508	STRAP-CAPACITOR CO (M3, M4, M5, M6, M7)
0091	D6789029	CAPACITOR-DUAL (M5, M6, M7)
0091	D6789031	CAPACITOR-METAL (M3, M4)
0091	D6789049	CAPACITOR-POLY (M1, M2)
0101	C6170004	CONTACTOR-25A (M1, M2, M3, M4, M5)
0101	C6170002	CONTACTOR-30A (M6)
0101	C6170003	CONTACTOR-35A (M7)
0111	11156901	BARRIER-LOW VOLT
0251	M0227803	SCREW-TC

Expanded Model and Color Nomenclature

M1 - VCB18A2A	P1219201C
M2 - VCB24A2A	P1219202C
M3 - VCB30A2A	P1219203C
M4 - VCB36A2A	P1219204C
M5 - VCB42A2A	P1219205C
M6 - VCB48A2A	P1219206C
M7 - VCB60A2A	P1219207C