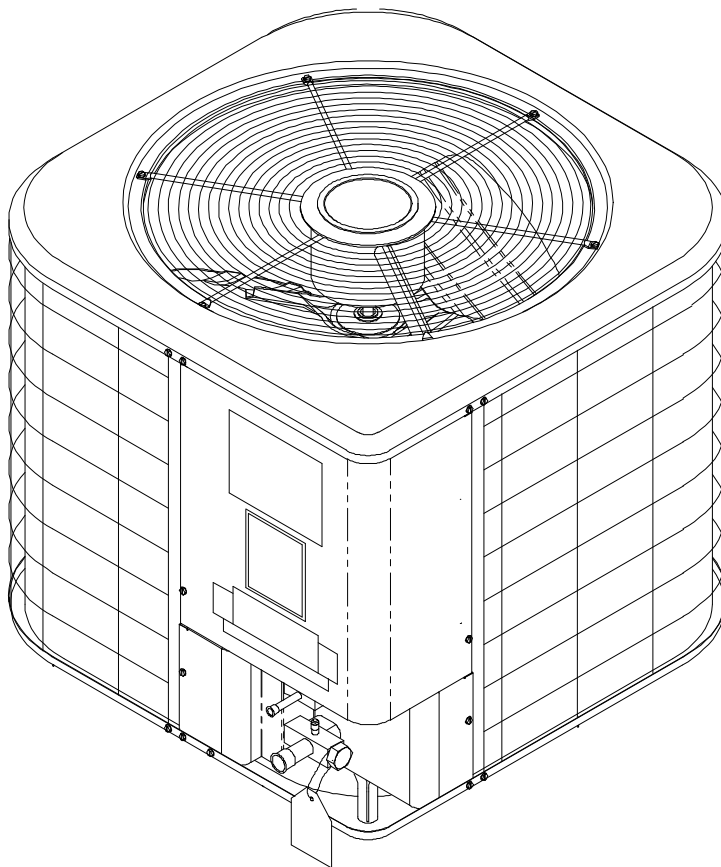


Parts

RCB Series Remote Cooling

Parts Manual for
Amana®



Models and manufacturing
numbers in this manual

| | |
|----------|-----------|
| RCB18A2B | P1218601C |
| RCB24A2B | P1218602C |
| RCB30A2C | P1218603C |
| RCB36A2B | P1218604C |
| RCB36A3B | P1218605C |
| RCB36A4B | P1218606C |
| RCB42A2B | P1218607C |
| RCB48A2B | P1218608C |
| RCB48A3B | P1218609C |
| RCB48A4B | P1218610C |
| RCB60A2B | P1218611C |
| RCB60A3B | P1218612C |
| RCB60A4B | P1218613C |

This manual is to be used by qualified appliance technicians only. Amana does not assume any responsibility for property damage or personal injury for improper service procedures done by an unqualified person.

Amana
Raytheon Appliances

RP6110011
Revision 0
March 1997

Important Information

Raytheon Appliances is not responsible for personal injury or property damage resulting from improper service. Review all service information before beginning repairs.

Warranty service must be performed by an authorized technician, using authorized factory parts. If service is required after the warranty expires, Raytheon Appliances also recommends contacting an authorized technician and using authorized factory parts. Locate an authorized technician by calling 800-NATLSVC (800-628-5782).

For assistance within the U.S.A. contact:

Consumer Affairs Department
Amana, Raytheon Appliances
2800 220th Trail
PO Box 8901
Amana IA 52204-0001
319-622-5511--Telephone
319-622-2977--Facsimile

For assistance outside the U.S.A. contact:

International Division
Amana, Raytheon Appliances
2800 220th Trail
PO Box 8901
Amana IA 52204-0001
USA
319-622-5511--Telephone
319-622-8595--Facsimile

Index

| | |
|------------------------------|--------|
| Functional Parts List | 4 - 5 |
| Illustration and Parts | 6 - 13 |

Views shown are for parts illustrations only, not servicing procedures.

Text Codes:

AR - As Required

0000 - Not Shown

QTY - Quantity Example (QTY 3) (If Quantity not shown, Quantity = 1)

M - Model Example (M1) (If M Code not shown, then part is used on all Models)

Expanded Model and Color Nomenclature:

| | |
|--------------|---------|
| Example | |
| M1 - Model#1 | P _____ |
| M2 - Model#2 | P _____ |
| M3 - Model#3 | P _____ |

Functional Parts

Part

No: Description:

| | |
|----------|---|
| 10099903 | CAPACITOR (M13) |
| 10099901 | CAPACITOR (M5, M6, M9, M12) |
| D6789029 | CAPACITOR-DUAL (M7, M8, M11) |
| D6789031 | CAPACITOR-METAL (M3, M4) |
| D6789049 | CAPACITOR-POLY (M1, M2) |
| D6859333 | CAPACITOR-POLY (M10) |
| 10611907 | COMP-TC (M3) |
| 10611906 | COMP-TC (M2) |
| 10679701 | COMP-TC AVB5538EXN (M7) |
| 10679707 | COMP-TC AVB5542EXG (M10) |
| 10679705 | COMP-TC AVB5542EXN (M8) |
| 10679706 | COMP-TC AVB5542EXT (M9) |
| 10679704 | COMP-TC AVB5558EXG (M13) |
| 10679702 | COMP-TC AVB5558EXN (M11) |
| 10679703 | COMP-TC AVB5558EXT (M12) |
| 10611904 | COMP-TC AWC5515EXD (M1) |
| 10611909 | COMP-TC AWC5532EXD (M4) |
| 10611911 | COMP-TC AWC5532EXG (M6) |
| 10611910 | COMP-TC AWC5532EXT (M5) |
| C6333501 | CONTACTOR-25A (M5, M6, M9, M10, M12, M13) |
| C6170004 | CONTACTOR-25A (M1, M2, M3, M4, M7) |
| C6170002 | CONTACTOR-30A (M8) |
| C6170003 | CONTACTOR-35A (M11) |
| 10641501 | DRIER-FILTER (M1, M2, M3) |
| 10641502 | DRIER-FILTER (M5, M6) |
| 10641502 | DRIER-FILTER (M4, M7, M8, M9, M10, M11, M12, M13) |
| 10651502 | HARNESS-COMP (M7, M8) |
| 10651501 | HARNESS-COMP (M1, M2, M3, M4) |
| 10651504 | HARNESS-COMP (M11) |
| 11180701 | HARNESS-WIRE (M12, M13) |
| 11180601 | HARNESS-WIRE (M5, M6, M9, M10) |
| 10584310 | MOTOR-COND (M8, M9) |
| 10584313 | MOTOR-COND (M11, M12) |
| 10584312 | MOTOR-COND (M10, M13) |
| 10584308 | MOTOR-COND (M7) |
| 10584309 | MOTOR-COND (M6) |
| 10584307 | MOTOR-COND (M1, M2, M3, M4, M5) |
| 11076301 | PISTON-ORIFICE 0512 (M1) |
| 11076304 | PISTON-ORIFICE 0610 (M2) |
| 11076305 | PISTON-ORIFICE 0630 (M3) |
| 11076318 | PISTON-ORIFICE 0710 (M4) |
| 11076318 | PISTON-ORIFICE 0710 (M5, M6) |
| 11076309 | PISTON-ORIFICE 0760 (M7) |
| 11076311 | PISTON-ORIFICE 0810 (M8, M9, M10) |
| 11076315 | PISTON-ORIFICE 0980 (M11) |
| B1443809 | RESTRICTOR 051 (M1) |
| B1443816 | RESTRICTOR 061 (M2) |
| B1443811 | RESTRICTOR 063 (M3) |
| B1443822 | RESTRICTOR 071 (M4, M5, M6) |
| B1443817 | RESTRICTOR 076 (M7) |
| B1443813 | RESTRICTOR 081 (M8, M9, M10) |
| B1443819 | RESTRICTOR 098 (M11) |

Functional Parts

Part

No: Description:

SPECIAL PARTS

| | |
|-----------|-------------------------|
| RP6110011 | MANUAL-PARTS |
| 11070154 | RCB18A2B SPEC SHT (M1) |
| 11070137 | RCB24A2B SPEC SHT (M2) |
| 11070138 | RCB30A2C SPEC SHT (M3) |
| 11070141 | RCB36A2B-SPEC SHT (M4) |
| 11070142 | RCB36A3B-SPEC SHT (M5) |
| 11070143 | RCB36A4B-SPEC SHT (M6) |
| 11070155 | RCB42A2B SPEC SHT (M7) |
| 10767394 | RCB48A2B SPEC SHT (M8) |
| 10767395 | RCB48A3B SPEC SHT (M9) |
| 10767396 | RCB48A4B SPEC SHT (M10) |
| 11070144 | RCB60A2B-SPEC SHT (M11) |
| 11070145 | RCB60A3B-SPEC SHT (M12) |
| 11070146 | RCB60A4B-SPEC SHT (M13) |
| M0321202 | TIE-ELEC (QTY AR) |

Expanded Model and Color Nomenclature

| | |
|----------------|-----------|
| M1 - RCB18A2B | P1218601C |
| M2 - RCB24A2B | P1218602C |
| M3 - RCB30A2C | P1218603C |
| M4 - RCB36A2B | P1218604C |
| M5 - RCB36A3B | P1218605C |
| M6 - RCB36A4B | P1218606C |
| M7 - RCB42A2B | P1218607C |
| M8 - RCB48A2B | P1218608C |
| M9 - RCB48A3B | P1218609C |
| M10 - RCB48A4B | P1218610C |
| M11 - RCB60A2B | P1218611C |
| M12 - RCB60A3B | P1218612C |
| M13 - RCB60A4B | P1218613C |

Control Cover/Compressor

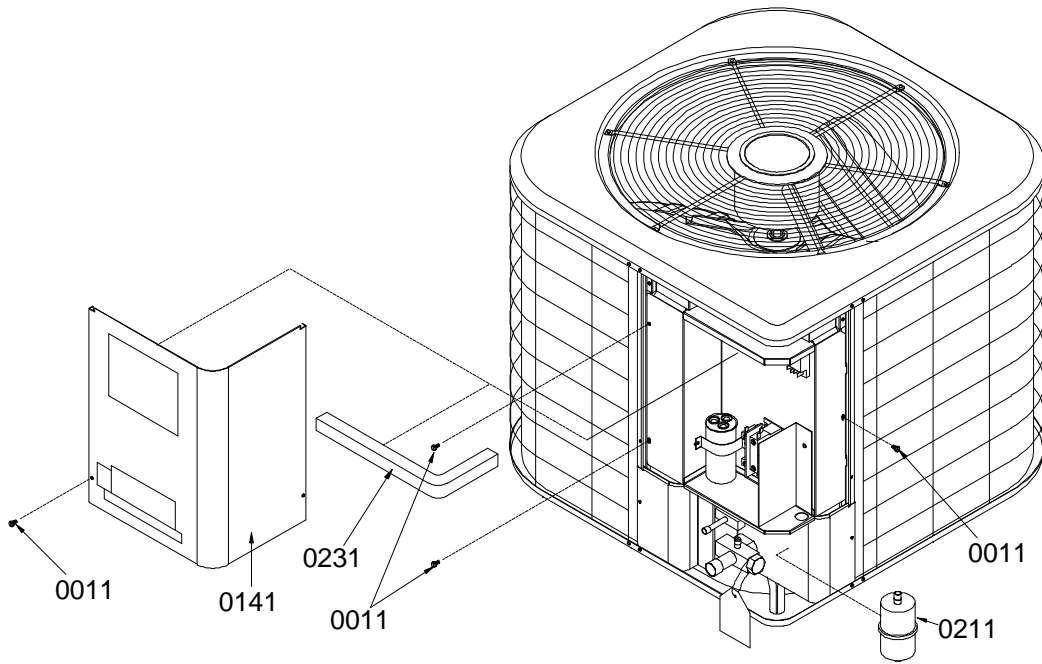


Image1

Image2

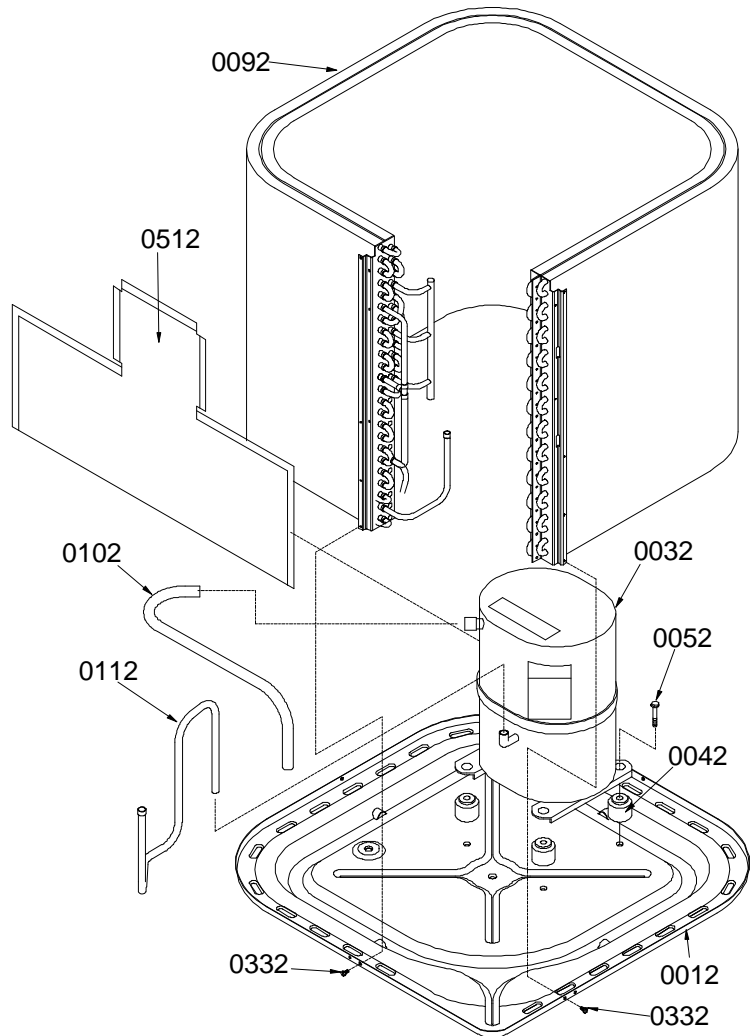
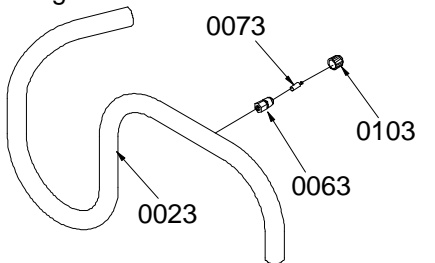


Image 3



Control Cover/Compressor

| Ref. Part No: | Part No: | Description: | Ref. Part No: | Part No: | Description: |
|----------------|----------|--|---------------------------------------|-----------|--------------|
| <i>Image 1</i> | | | Expanded Model and Color Nomenclature | | |
| 0011 | M0220816 | SCREW-SM (QTY 5) | M1 - RCB18A2B | P1218601C | |
| 0141 | 10589911 | CONT COVER (M1, M2, M3, M4, M5, M6, M7) | M2 - RCB24A2B | P1218602C | |
| 0141 | 10589912 | CONT COVER (M8, M9, M10, M11, M12, M13) | M3 - RCB30A2C | P1218603C | |
| 0211 | 10641501 | DRIER-FILTER (M1, M2, M3) | M4 - RCB36A2B | P1218604C | |
| 0211 | 10641502 | DRIER-FILTER (M5, M6) | M5 - RCB36A3B | P1218605C | |
| 0211 | 10641502 | DRIER-FILTER (M4, M7, M8, M9, M10, M11, M12, M13) | M6 - RCB36A4B | P1218606C | |
| 0231 | 11182802 | GASKET-FOAM | M7 - RCB42A2B | P1218607C | |
| <i>Image 2</i> | | | M8 - RCB48A2B | P1218608C | |
| 0012 | 20027602 | BASEPAN (M1, M2, M3) | M9 - RCB48A3B | P1218609C | |
| 0012 | 20027802 | BASEPAN (M4, M5, M6, M7) | M10 - RCB48A4B | P1218610C | |
| 0012 | 10795004 | BASEPAN WELD (M8, M9, M10, M11, M12, M13) | M11 - RCB60A2B | P1218611C | |
| 0032 | 10611906 | COMP-TC (M2) | M12 - RCB60A3B | P1218612C | |
| 0032 | 10611907 | COMP-TC (M3) | M13 - RCB60A4B | P1218613C | |
| 0032 | 10679701 | COMP-TC AVB5538EXN (M7) | | | |
| 0032 | 10679707 | COMP-TC AVB5542EXG (M10) | | | |
| 0032 | 10679705 | COMP-TC AVB5542EXN (M8) | | | |
| 0032 | 10679706 | COMP-TC AVB5542EXT (M9) | | | |
| 0032 | 10679704 | COMP-TC AVB5558EXG (M13) | | | |
| 0032 | 10679702 | COMP-TC AVB5558EXN (M11) | | | |
| 0032 | 10679703 | COMP-TC AVB5558EXT (M12) | | | |
| 0032 | 10611904 | COMP-TC AWC5515EXD (M1) | | | |
| 0032 | 10611909 | COMP-TC AWC5532EXD (M4) | | | |
| 0032 | 10611911 | COMP-TC AWC5532EXG (M6) | | | |
| 0032 | 10611910 | COMP-TC AWC5532EXT (M5) | | | |
| 0042 | C6466001 | GROMMET-COMP (M13) (QTY 4) | | | |
| 0042 | C6466001 | GROMMET-COMP (M8, M9, M10, M11, M12) | | | |
| 0042 | 10107301 | GROMMET-COMP FOOT (M7) (QTY 4) | | | |
| 0042 | B1315401 | GROMMET-COMP FOOT (M1, M2, M3, M4, M5, M6) (QTY 4) | | | |
| 0052 | M0221641 | SCREW-SHOULDER TF (QTY 4) | | | |
| 0092 | 11137803 | COND ASSY (M8, M9, M10) | | | |
| 0092 | 11137804 | COND ASSY (M11, M12, M13) | | | |
| 0092 | 11181002 | COND ASSY (M4, M5, M6, M7) | | | |
| 0092 | 11183804 | COND ASSY (M2) | | | |
| 0092 | 11183805 | COND ASSY (M3) | | | |
| 0092 | 20020302 | COND ASSY (M1) | | | |
| 0102 | 20016602 | SUCT TUBE WELD (M12, M13) | | | |
| 0102 | 10717601 | TUBE-SUCTION (M7) | | | |
| 0102 | 11184001 | TUBE-SUCTION (M3) | | | |
| 0102 | 11184002 | TUBE-SUCTION (M1, M2) | | | |
| 0102 | 11189202 | TUBE-SUCTION (M4, M5, M6) | | | |
| 0102 | 20016401 | TUBE-SUCTION (M8, M9, M10, M11) | | | |
| 0112 | 20015201 | DISCH WELD (M8, M9, M10, M11, M12, M13) | | | |
| 0112 | 10717502 | TUBE-DISCH (M7) | | | |
| 0112 | 10799802 | TUBE-DISCH (M4, M5, M6) | | | |
| 0112 | 10821001 | TUBE-DISCH (M1) | | | |
| 0112 | 20002501 | TUBE-DISCH (M2, M3) | | | |
| 0332 | M0220816 | SCREW-SM (QTY AR) | | | |
| 0512 | 10720901 | BLANKET-SOUND (M8, M9, M10, M11, M12, M13) | | | |
| <i>Image 3</i> | | | | | |
| 0023 | 20016402 | TUBE-SUCTION (M12, M13) | | | |
| 0063 | A4692701 | VALVE-DILL (M12, M13) | | | |
| 0073 | A4692801 | VALVE-CORE (M12, M13) | | | |
| 0103 | A4692601 | NUT-CAP (M12, M13) | | | |

Tubing

Image1

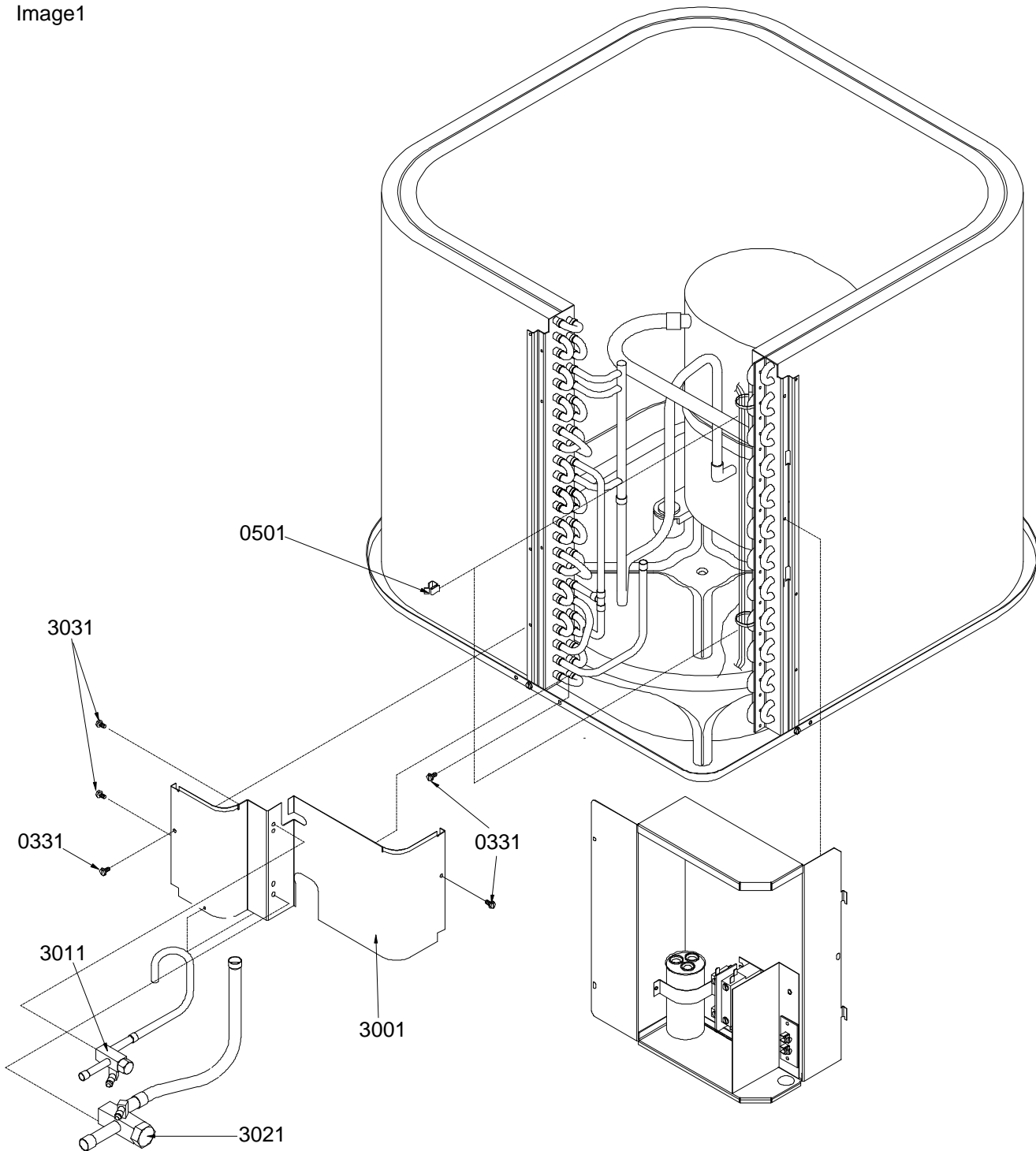


Image2

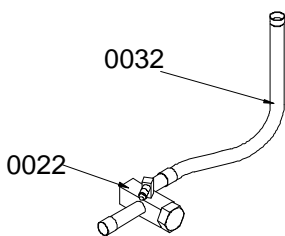
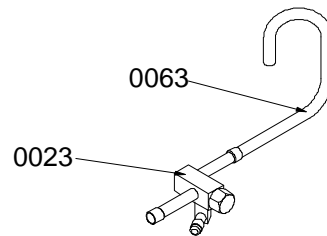


Image3



Tubing

| Ref. No: | Part No: | Description: | Ref. No: | Part No: | Description: |
|----------|----------|--------------|----------|----------|--------------|
|----------|----------|--------------|----------|----------|--------------|

Image 1

| | | |
|------|----------|--|
| 0331 | M0220816 | SCREW-SM (QTY AR) |
| 0501 | M0120901 | CLIP-CABLE (M1, M2, M3, M4, M5, M6, M7, M8, M9, M11, M12, M13) (QTY 2) |
| 3001 | 10576206 | SWT VLV BRKT |
| 3011 | 11055820 | LIQUID VALVE WELD |
| 3021 | 11030914 | SWEAT VALVE WELD (M1) |
| 3021 | 11030915 | SWEAT VALVE WELD (M3, M4, M5, M6) |
| 3021 | 11030916 | SWEAT VALVE WELD (M7, M8, M9, M10) |
| 3021 | 11030918 | SWEAT VALVE WELD (M11, M12, M13) |
| 3021 | 11030919 | SWEAT VALVE WELD (M2) |
| 3031 | M0220816 | SCREW-SM (QTY 4) |

Image 2

| | | |
|------|----------|--|
| 0022 | 20023003 | VALVE-SWEAT (M3, M4, M5, M6) |
| 0022 | 20023004 | VALVE-SWEAT (M7, M8, M9, M10, M11, M12, M13) |
| 0032 | 10639903 | TUBE-SUC/SWT VLV (M2) |
| 0032 | 10719902 | TUBE-SUCTION (M7, M8, M9, M10) |
| 0032 | 10719903 | TUBE-SUCTION (M11, M12, M13) |
| 0032 | 10639902 | TUBE-SWEAT VLV (M1) |
| 0032 | 10719802 | TUBE-SWT VLV (M3, M4, M5, M6) |

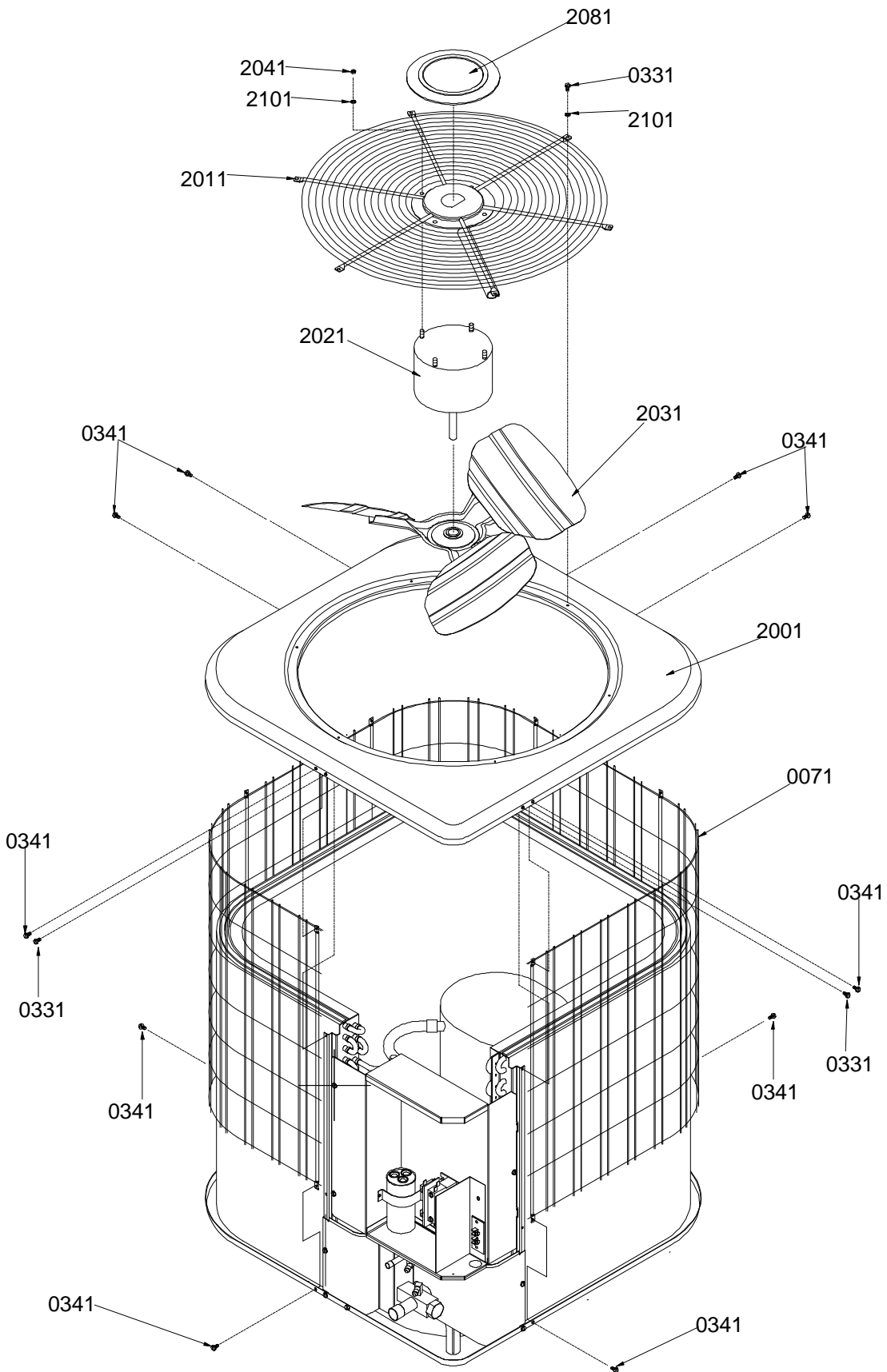
Image 3

| | | |
|------|----------|----------------|
| 0023 | 20023001 | VALVE-SWEAT |
| 0063 | 11048703 | TUBE-SWEAT VLV |

Expanded Model and Color Nomenclature

| | |
|----------------|-----------|
| M1 - RCB18A2B | P1218601C |
| M2 - RCB24A2B | P1218602C |
| M3 - RCB30A2C | P1218603C |
| M4 - RCB36A2B | P1218604C |
| M5 - RCB36A3B | P1218605C |
| M6 - RCB36A4B | P1218606C |
| M7 - RCB42A2B | P1218607C |
| M8 - RCB48A2B | P1218608C |
| M9 - RCB48A3B | P1218609C |
| M10 - RCB48A4B | P1218610C |
| M11 - RCB60A2B | P1218611C |
| M12 - RCB60A3B | P1218612C |
| M13 - RCB60A4B | P1218613C |

Cabinet/Top



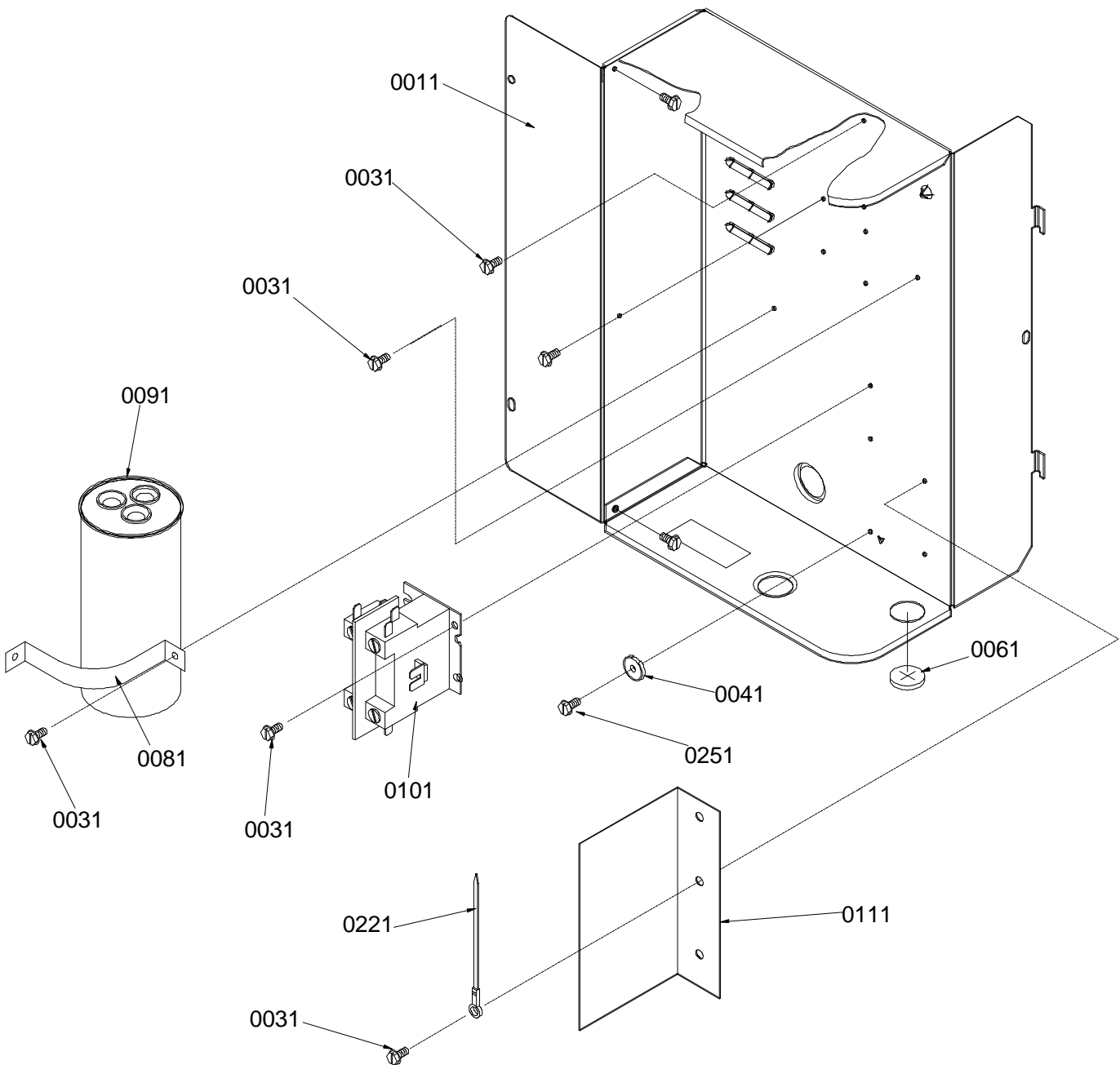
Cabinet/Top

| Ref. No: | Part No: | Description: | Ref. No: | Part No: | Description: |
|----------------|----------|--|----------|----------|--------------|
| <i>Image 1</i> | | | | | |
| 0071 | 20030501 | GRILLE-FORMED (M1, M2, M3) | | | |
| 0071 | 20030504 | GRILLE-FORMED (M4, M5, M6, M7) | | | |
| 0071 | 20030506 | GRILLE-FORMED (M8, M9, M10, M11, M12, M13) | | | |
| 0331 | M0220816 | SCREW-SM (QTY AR) | | | |
| 0341 | M0229130 | SCREW-SD (QTY AR) | | | |
| 2001 | 20027702 | TOP COVER (M1, M2, M3) | | | |
| 2001 | 20027902 | TOP COVER (M4, M5, M6, M7) | | | |
| 2001 | 20028102 | TOP COVER (M8, M9, M10, M11, M12, M13) | | | |
| 2011 | 10589801 | GRILLE-FAN (M1, M2, M3) | | | |
| 2011 | 10589802 | GRILLE-FAN (M4, M5, M6, M7) | | | |
| 2011 | 10589803 | GRILLE-FAN (M10) | | | |
| 2011 | 10589804 | GRILLE-FAN (M8, M9, M11, M12, M13) | | | |
| 2021 | 10584307 | MOTOR-COND (M1, M2, M3, M4, M5) | | | |
| 2021 | 10584308 | MOTOR-COND (M7) | | | |
| 2021 | 10584309 | MOTOR-COND (M6) | | | |
| 2021 | 10584310 | MOTOR-COND (M8, M9) | | | |
| 2021 | 10584312 | MOTOR-COND (M10, M13) | | | |
| 2021 | 10584313 | MOTOR-COND (M11, M12) | | | |
| 2031 | 10625703 | FAN-CONDENSER (M1, M2, M3) | | | |
| 2031 | 10625704 | FAN-CONDENSER (M6, M7) | | | |
| 2031 | 10625705 | FAN-CONDENSER (M4, M5) | | | |
| 2031 | 10625707 | FAN-CONDENSER (M8, M9, M10, M11, M12, M13) | | | |
| 2041 | M0280801 | NUT-HEX (QTY 4) | | | |
| 2081 | 10651101 | DISK-LOGO | | | |
| 2101 | M0272803 | WASHER-LOCK (QTY 2) | | | |

Expanded Model and Color Nomenclature

| | |
|----------------|-----------|
| M1 - RCB18A2B | P1218601C |
| M2 - RCB24A2B | P1218602C |
| M3 - RCB30A2C | P1218603C |
| M4 - RCB36A2B | P1218604C |
| M5 - RCB36A3B | P1218605C |
| M6 - RCB36A4B | P1218606C |
| M7 - RCB42A2B | P1218607C |
| M8 - RCB48A2B | P1218608C |
| M9 - RCB48A3B | P1218609C |
| M10 - RCB48A4B | P1218610C |
| M11 - RCB60A2B | P1218611C |
| M12 - RCB60A3B | P1218612C |
| M13 - RCB60A4B | P1218613C |

Control Box



Control Box

| Ref. No: | Part No: | Description: | Ref. No: | Part No: | Description: |
|----------------|----------|---|----------|----------|--------------|
| <i>Image 1</i> | | | | | |
| 0011 | 11174704 | CONTROL BOX-1 PIECE (M1, M2, M3, M4, M7, M8, M11) | | | |
| 0011 | 11174705 | CONTROL BOX-1 PIECE (M5, M6, M9, M10, M12, M13) | | | |
| 0031 | M0216517 | SCREW-SM (QTY AR) | | | |
| 0041 | M0270001 | WASHER-CUP | | | |
| 0061 | A4603801 | GROMMET | | | |
| 0081 | A4055402 | STRAP-CAPACITOR (M5, M6, M9, M10, M12, M13) | | | |
| 0081 | C6300508 | STRAP-CAPACITOR (M3, M4, M7, M8, M11) | | | |
| 0081 | C6300512 | STRAP-CAPACITOR (M1, M2) | | | |
| 0091 | 10099901 | CAPACITOR (M5, M6, M9, M12) | | | |
| 0091 | 10099903 | CAPACITOR (M13) | | | |
| 0091 | D6789029 | CAPACITOR-DUAL (M7, M8, M11) | | | |
| 0091 | D6789031 | CAPACITOR-METAL (M3, M4) | | | |
| 0091 | D6789049 | CAPACITOR-POLY (M1, M2) | | | |
| 0091 | D6859333 | CAPACITOR-POLY (M10) | | | |
| 0101 | C6170004 | CONTACTOR-25A (M1, M2, M3, M4, M7) | | | |
| 0101 | C6333501 | CONTACTOR-25A (M5, M6, M9, M10, M12, M13) | | | |
| 0101 | C6170002 | CONTACTOR-30A (M8) | | | |
| 0101 | C6170003 | CONTACTOR-35A (M11) | | | |
| 0111 | 11156901 | BARRIER-LOW VOLT | | | |
| 0221 | M0280301 | TIE-ELECTRICAL | | | |
| 0251 | M0227803 | SCREW-TC | | | |

Expanded Model and Color Nomenclature

| | |
|----------------|-----------|
| M1 - RCB18A2B | P1218601C |
| M2 - RCB24A2B | P1218602C |
| M3 - RCB30A2C | P1218603C |
| M4 - RCB36A2B | P1218604C |
| M5 - RCB36A3B | P1218605C |
| M6 - RCB36A4B | P1218606C |
| M7 - RCB42A2B | P1218607C |
| M8 - RCB48A2B | P1218608C |
| M9 - RCB48A3B | P1218609C |
| M10 - RCB48A4B | P1218610C |
| M11 - RCB60A2B | P1218611C |
| M12 - RCB60A3B | P1218612C |
| M13 - RCB60A4B | P1218613C |