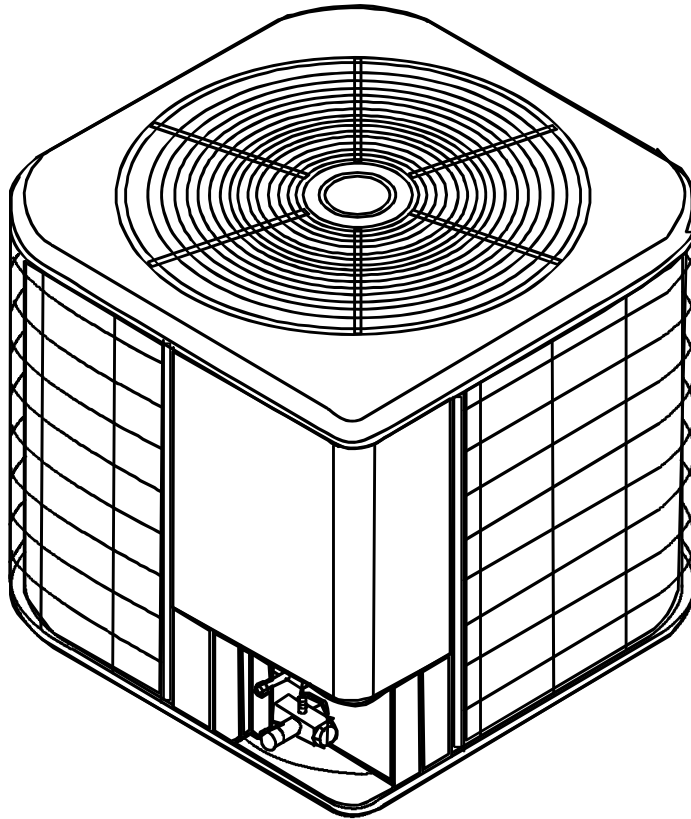


## Remote Cooling Units

RCC18A2B	P1218511C
RCC18A2D	P1218521C
RCC24A2B	P1218512C
RCC24A2D	P1218522C
RCC30A2B	P1218513C
RCC30A2D	P1218523C
RCC36A2B	P1218514C
RCC36A2D	P1218524C
RCC36A3B	P1218515C
RCC36A3D	P1218528C
RCC42A2B	P1218516C
RCC42A2D	P1218525C
RCC48A2B	P1218517C
RCC48A2D	P1218526C
RCC48A3B	P1218518C
RCC48A3D	P1218529C
RCC60A2B	P1218519C
RCC60A2D	P1218527C
RCC60A3B	P1218520C
RCC60A3D	P1218530C



RP6112001  
Revision 0  
September 2001

# Important Information

---

## Index

Functional Parts List .....	3 - 4
Illustration and Parts .....	6 - 15

*Views shown are for parts illustrations only, not servicing procedures*

### Text Codes:

AR - As Required

NA - Not Available

NS - Not Shown

00000000 - See Note

QTY - Quantity Example (QTY 3) (If Quantity not shown, Quantity = 1)

M - Model Example (M1) (If M Code not shown, then part is used on all Models)

### Expanded Model Nomenclature:

Example

M1 - Model#1

M2 - Model#2

M3 - Model#3

Goodman Company, L.P. is not responsible for personal injury or property damage resulting from improper service. Review all service information before beginning repairs.

Warranty service must be performed by an authorized technician, using authorized factory parts. If service is required after the warranty expires, Goodman Company, L.P. also recommends contacting an authorized technician and using authorized factory parts.

Goodman Company, L.P. reserves the right to discontinue, or change at any time, specifications or designs without notice or without incurring obligations. Goodman® brand products are made proudly in the USA.

For assistance within the U.S.A. contact:

Consumer Affairs Department

Goodman Company, L.P.

7401 Security Way

Houston, Texas 77040

877-254-4729-Telephone

713-863-2382-Facsimile

For assistance outside the U.S.A. contact:

International Division

Goodman Company, L.P.

7401 Security Way

Houston, Texas 77040

713-861-2500-Telephone

713-863-2382-Facsimile

# Functional Parts

**Part  
No:**

**Description:**

Part No:	Description:		
		10142321	RELAY-START (M7, M16)
B1274701	BOARD-TERM	B1443812	RESTRICTOR 054 (M1)
D6879752	CAPACITOR (M5, M8, M10, M18, M19, M20)	B1443811	RESTRICTOR 063 (M3)
D6789047	CAPACITOR-METAL (M9, M17)	B1443817	RESTRICTOR 076 (M6)
D6789043	CAPACITOR-POLY (M7, M16)	B1443805	RESTRICTOR 084 (M7, M8)
D6789049	CAPACITOR-POLY (M1, M2, M3, M4, M11, M12, M13, M14)	B1443810	RESTRICTOR 092 (M9, M10)
D6789045	CAPACITOR-POLY (M6, M15)		
B1104807	CAPACITOR-START (M7, M16)		
B1104804	CAPACITOR-START (M1, M11)		
B1104806	CAPACITOR-START (M2, M3, M4, M12, M13, M14)		
11012502	COMP-CP ZR40K3 (M6, M15)		
10289208	COMP-CP ZR57K3-PFV (M9, M17)		
10289210	COMP-CP ZR57K3-TF5 (M10, M20)		
10481805	COMP-CR30K6-PFV260 (M4)		
10481806	COMP-CR30K6-TF5270 (M5, M18)		
10679708	COMP-TC AVD5542EXN (M7, M16)		
10679709	COMP-TC AVD5542EXT (M8, M19)		
10611924	COMP-TC AWF5516EXN (M1, M11)		
10611929	COMP-TC AWF5520EXN (M2, M12)		
10611926	COMP-TC AWF5524EXN (M3, M13)		
11181004	CONDENSING ASSEMBLY (M3, M13)		
11183809	CONDENSING ASSEMBLY (M2, M12)		
10625106	CONDENSING ASSEMBLY (M1, M11)		
11137807	CONDENSING ASSEMBLY (M7, M8, M16, M19)		
11138403	CONDENSING ASSEMBLY (M9, M10, M17, M20)		
11142003	CONDENSING ASSEMBLY (M6, M15)		
11163803	CONDENSING ASSEMBLY (M4, M5, M14, M18)		
11046706	DISC-THERMOSTAT (M1, M2, M3, M4)		
10625707	FAN-CONDENSER (M7, M8, M9, M10, M16, M17, M19, M20)		
10625705	FAN-CONDENSER (M3, M4, M5, M13, M14, M18)		
10625704	FAN-CONDENSER (M6, M15)		
10625703	FAN-CONDENSER (M1, M2, M11, M12)		
11163701	MANIFOLD (M3, M4, M5)		
10584308	MOTOR-COND (M6, M15)		
10584307	MOTOR-COND (M1, M2, M3, M4, M5, M11, M12, M13, M14, M18)		
10584313	MOTOR-COND (M7, M8, M9, M10, M16, M17, M19, M20)		
11076302	PISTON-ORIF 0550 (M1, M2)		
11076305	PISTON-ORIF 0630 (M3)		
11076306	PISTON-ORIF 0689 (M4, M5)		
11076309	PISTON-ORIF 0760 (M6)		
11076312	PISTON-ORIF 0846 (M7, M8)		
11076314	PISTON-ORIF 0925 (M9, M10)		
10142312	RELAY-START (M2, M12)		
10142304	RELAY-START (M4, M14)		
10142322	RELAY-START (M3, M13)		
10142316	RELAY-START (M1, M11)		

# Functional Parts

**Part No:**      **Description:**

**SPECIAL PARTS**

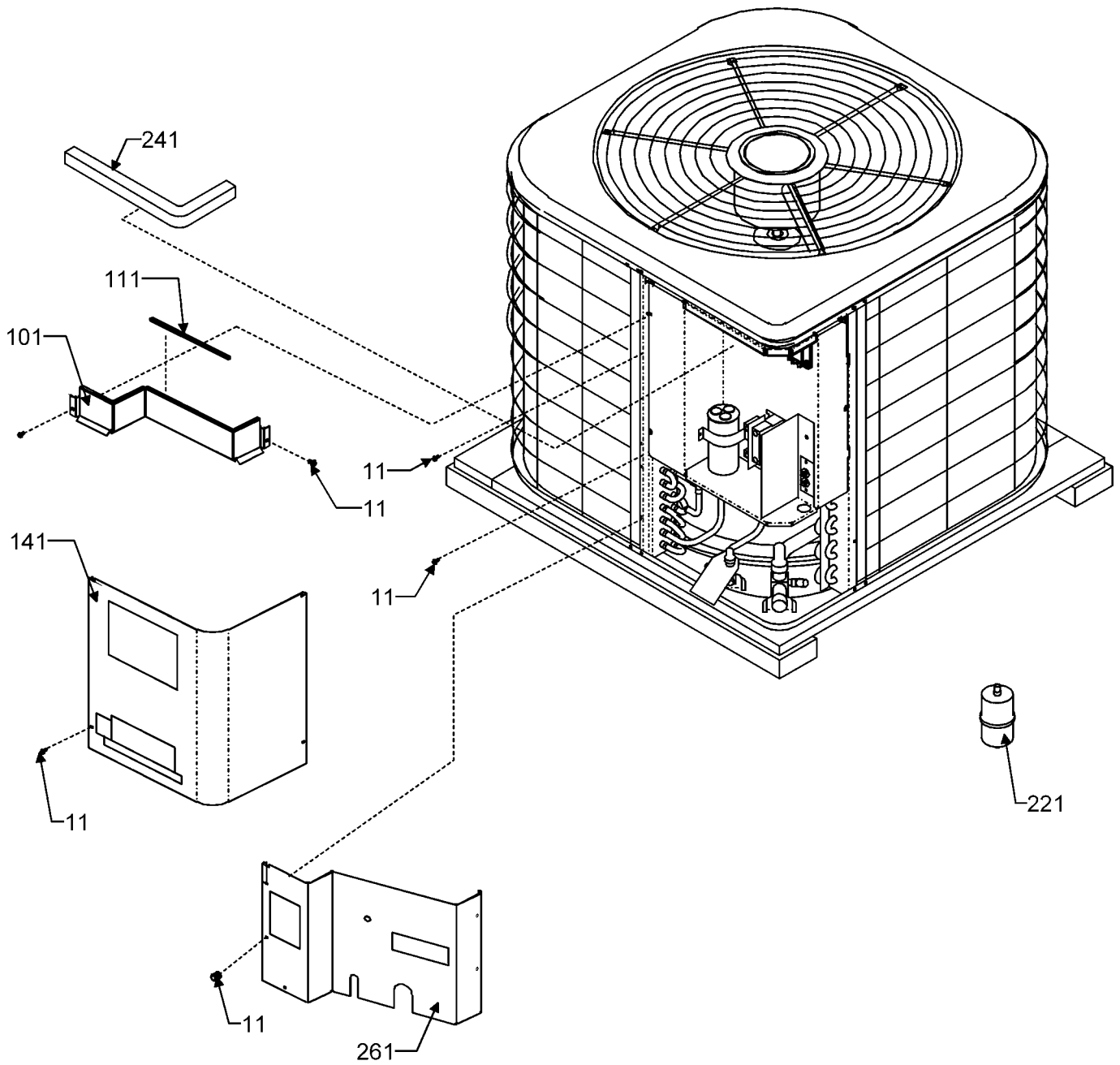
10652408	MANUAL-INSTALL
10659202	MANUAL-OWNERS
20187902	NAMEPLATE-SIDE
RP6112001	PARTS MANUAL
20180173	RCC18A2B-SPEC SHT (M1)
20346218	RCC18A2D SPEC SHT (M11)
20180174	RCC24A2B-SPEC SHT (M2)
20346219	RCC24A2D SPEC SHT (M12)
20180175	RCC30A2B-SPEC SHT (M3)
20346220	RCC30A2D SPEC SHT (M13)
20180176	RCC36A2B-SPEC SHT (M4)
20346221	RCC36A2D SPEC SHT (M14)
20180177	RCC36A3B-SPEC SHT (M5)
20346225	RCC36A3D SPEC SHT (M18)
20180178	RCC42A2B-SPEC SHT (M6)
20346222	RCC42A2D SPEC SHT (M15)
20180179	RCC48A2B-SPEC SHT (M7)
20346223	RCC48A2D SPEC SHT (M16)
20180180	RCC48A3B-SPEC SHT (M8)
20346226	RCC48A3D SPEC SHT (M19)
20180181	RCC60A2B-SPEC SHT (M9)
20346224	RCC60A2D SPEC SHT (M17)
20180182	RCC60A3B-SPEC SHT (M10)
20346227	RCC60A3D SPEC SHT (M20)
RS6200003	SERVICE MANUAL
20315604	WARRANTY-5 YR CAC

Expanded Model Nomenclature

M1 - RCC18A2B	P1218511C
M2 - RCC24A2B	P1218512C
M3 - RCC30A2B	P1218513C
M4 - RCC36A2B	P1218514C
M5 - RCC36A3B	P1218515C
M6 - RCC42A2B	P1218516C
M7 - RCC48A2B	P1218517C
M8 - RCC48A3B	P1218518C
M9 - RCC60A2B	P1218519C
M10 - RCC60A3B	P1218520C
M11 - RCC18A2D	P1218521C
M12 - RCC24A2D	P1218522C
M13 - RCC30A2D	P1218523C
M14 - RCC36A2D	P1218524C
M15 - RCC42A2D	P1218525C
M16 - RCC48A2D	P1218526C
M17 - RCC60A2D	P1218527C
M18 - RCC36A3D	P1218528C
M19 - RCC48A3D	P1218529C
M20 - RCC60A3D	P1218530C

**THIS PAGE INTENTIONALLY LEFT BLANK**

# Control Cover



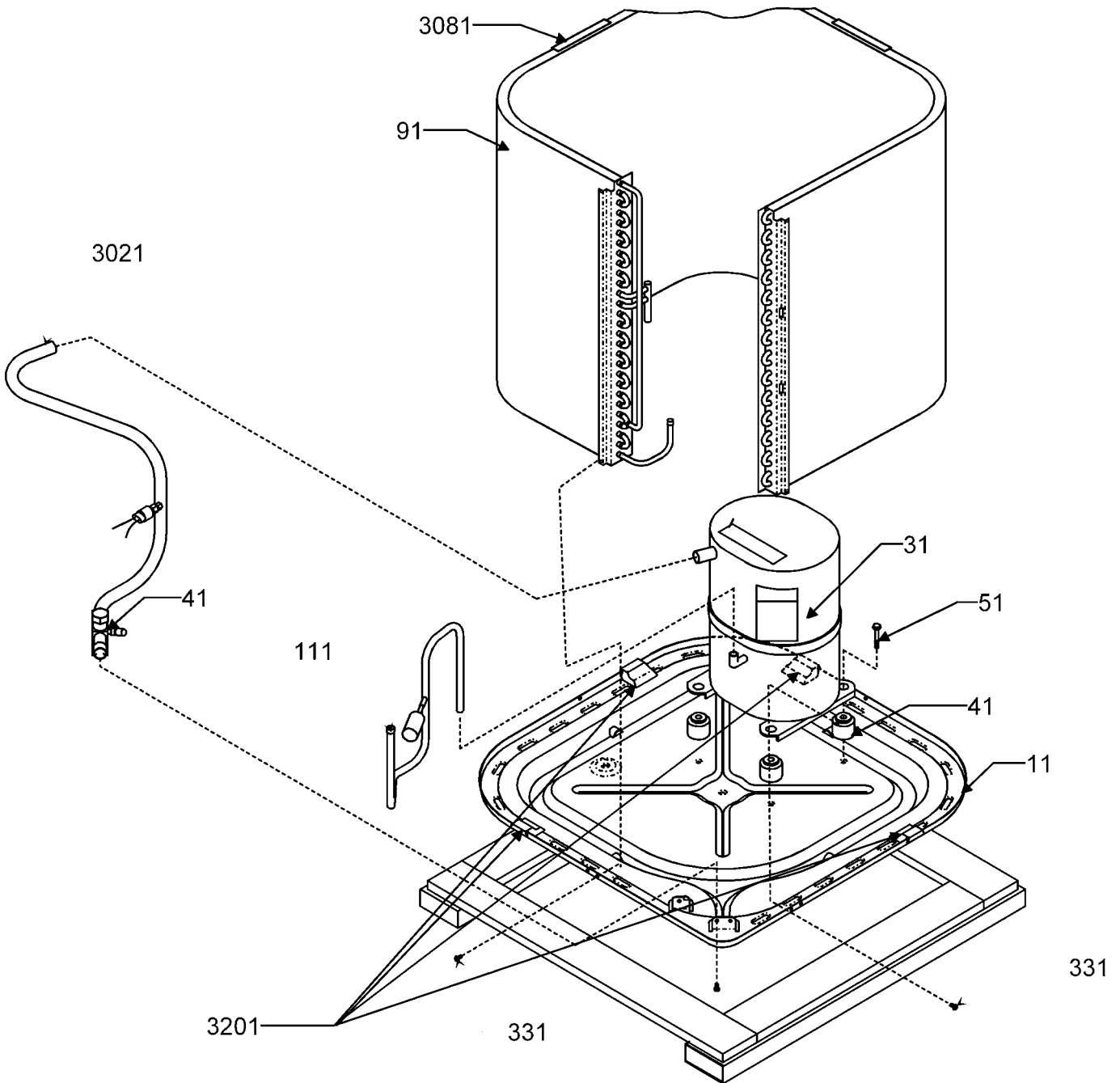
# Control Cover

Ref. Part No:	Part No:	Description:	Ref. Part No:	Part No:	Description:
<i>Image 1:</i>					
11	M0220816	SCREW-SM (QTY AR)			
101	10597407	FILLER-CONTROL (M6, M7, M8, M15, M16, M19)			
101	10597408	FILLER-CONTROL (M4, M5, M14, M18)			
101	10597409	FILLER-CONTROL (M9, M10, M17, M20)			
111	10839810	GASKET-.18X.38 (QTY AR)			
141	10589917	COVER-CONT (M1, M2, M3, M4, M5, M11, M12, M13, M14, M18)			
141	10589918	COVER-CONT (M6, M7, M8, M15, M16, M19)			
141	10589919	COVER-CONT (M9, M10, M17, M20)			
221	10641501	DRIER-FILTER (M1, M2, M3, M11, M12, M13)			
221	10641502	DRIER-FILTER (M4, M5, M6, M7, M8, M9, M10, M14, M15, M16, M17, M18, M19, M20)			
241	11182804	GASKET-.5X.625X18 (M11, M12, M13)			
241	11182803	GASKET-FOAM (M1, M2, M3)			
261	20280004	PANEL-VALVE (M1, M2, M3, M11, M12, M13)			
261	20289707	PANEL-VALVE (M4, M5, M6, M7, M8, M9, M10, M14, M15, M16, M17, M18, M19, M20)			
331	M0220816	SCREW-SM (QTY AR)			

## Expanded Model Nomenclature

M1 - RCC18A2B	P1218511C
M2 - RCC24A2B	P1218512C
M3 - RCC30A2B	P1218513C
M4 - RCC36A2B	P1218514C
M5 - RCC36A3B	P1218515C
M6 - RCC42A2B	P1218516C
M7 - RCC48A2B	P1218517C
M8 - RCC48A3B	P1218518C
M9 - RCC60A2B	P1218519C
M10 - RCC60A3B	P1218520C
M11 - RCC18A2D	P1218521C
M12 - RCC24A2D	P1218522C
M13 - RCC30A2D	P1218523C
M14 - RCC36A2D	P1218524C
M15 - RCC42A2D	P1218525C
M16 - RCC48A2D	P1218526C
M17 - RCC60A2D	P1218527C
M18 - RCC36A3D	P1218528C
M19 - RCC48A3D	P1218529C
M20 - RCC60A3D	P1218530C

# Compressor\Tubing



# Compressor\Tubing

Ref. Part No:	Ref. Part No:	Description:	Description:
<i>Image 1:</i>			
11	10229603	BASEPAN (M1, M2, M11, M12)	Expanded Model Nomenclature M1 - RCC18A2B P1218511C M2 - RCC24A2B P1218512C M3 - RCC30A2B P1218513C M4 - RCC36A2B P1218514C M5 - RCC36A3B P1218515C M6 - RCC42A2B P1218516C M7 - RCC48A2B P1218517C M8 - RCC48A3B P1218518C M9 - RCC60A2B P1218519C M10 - RCC60A3B P1218520C M11 - RCC18A2D P1218521C M12 - RCC24A2D P1218522C M13 - RCC30A2D P1218523C M14 - RCC36A2D P1218524C M15 - RCC42A2D P1218525C M16 - RCC48A2D P1218526C M17 - RCC60A2D P1218527C M18 - RCC36A3D P1218528C M19 - RCC48A3D P1218529C M20 - RCC60A3D P1218530C
11	10258303	BASEPAN (M3, M4, M5, M6, M13, M14, M15, M18)	
11	10258403	BASEPAN ASSY (M7, M8, M9, M10, M16, M17, M19, M20)	
31	11012502	COMP-CP ZR40K3 (M6, M15)	
31	10289208	COMP-CP ZR57K3-PFV (M9, M17)	
31	10289210	COMP-CP ZR57K3-TF5 (M10, M20)	
31	10481815	COMP-CR30K6-PFV230 (M14)	
31	10481805	COMP-CR30K6-PFV260 (M4)	
31	10481806	COMP-CR30K6-TF5270 (M5, M18)	
31	10679708	COMP-TC AVD5542EXN (M7, M16)	
31	10679709	COMP-TC AVD5542EXT (M8, M19)	
31	10611924	COMP-TC AWF5516EXN (M1, M11)	
31	10611929	COMP-TC AWF5520EXN (M2, M12)	
31	10611926	COMP-TC AWF5524EXN (M3, M13)	
41	C6466001	GROMMET-COMP (M7, M8, M16, M19)	
41	10107301	GROMMET-COMP FOOT (M6, M9, M10, M15, M17, M20)	
41	B1315401	GROMMET-COMP FOOT (M1, M2, M3, M4, M5, M11, M12, M13, M14, M18)	
41	A4692801	VALVE-CORE	
51	M0221641	SCREW-SHOULDER TF (QTY 4)	
91	10625106	CONDENSING ASSEMBLY (M1, M11)	
91	11137807	CONDENSING ASSEMBLY (M7, M8, M16, M19)	
91	11138403	CONDENSING ASSEMBLY (M9, M10, M17, M20)	
91	11142003	CONDENSING ASSEMBLY (M6, M15)	
91	11163803	CONDENSING ASSEMBLY (M4, M5, M14, M18)	
91	11181004	CONDENSING ASSEMBLY (M3, M13)	
91	11183809	CONDENSING ASSEMBLY (M2, M12)	
111	10821002	DISCHARGE WELD (M1, M11)	
111	11071502	DISCHARGE WELD (M9, M10, M12, M17, M20)	
111	11141901	DISCHARGE WELD (M6, M15)	
111	11158301	DISCHARGE WELD (M4, M5, M14, M18)	
111	20002501	DISCHARGE WELD (M2, M3)	
111	20015201	DISCHARGE WELD (M7, M8, M16, M19)	
3021	20317101	SUCT/SWT WELD (M1, M11)	
3021	20317102	SUCT/SWT WELD (M2, M12)	
3021	20317103	SUCT/SWT WELD (M3, M13)	
3021	20317104	SUCT/SWT WELD (M6, M15)	
3021	20317105	SUCT/SWT WELD (M9, M10, M17, M20)	
3021	20317201	SUCT/SWT WELD (M4, M5, M14, M18)	
3021	20317202	SUCT/SWT WELD (M7, M8, M16, M19)	
3081	10839819	GASKET-.062X.50 (QTY AR)	
3201	20328901	SUPPORT-COIL (QTY 4)	

# Tubing

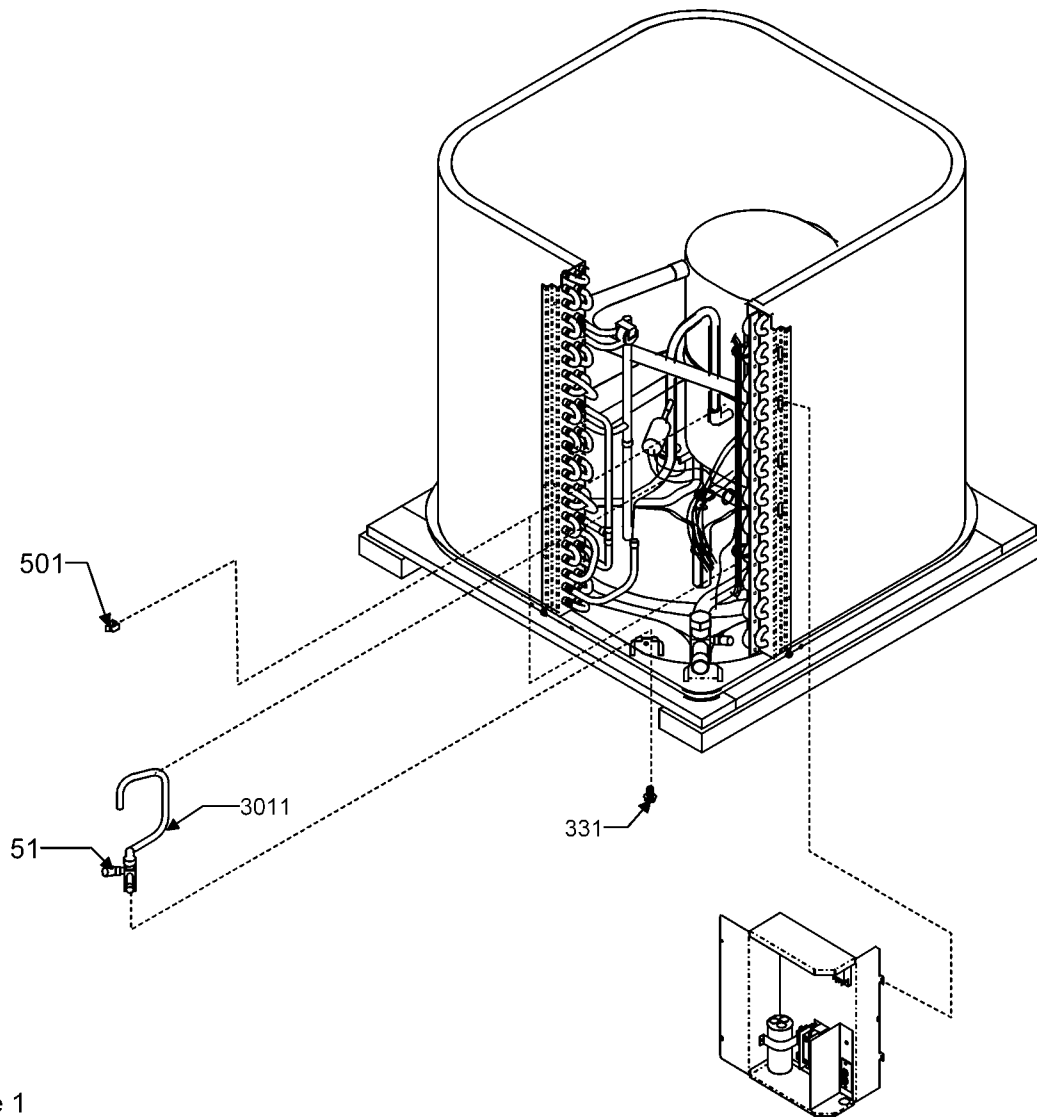
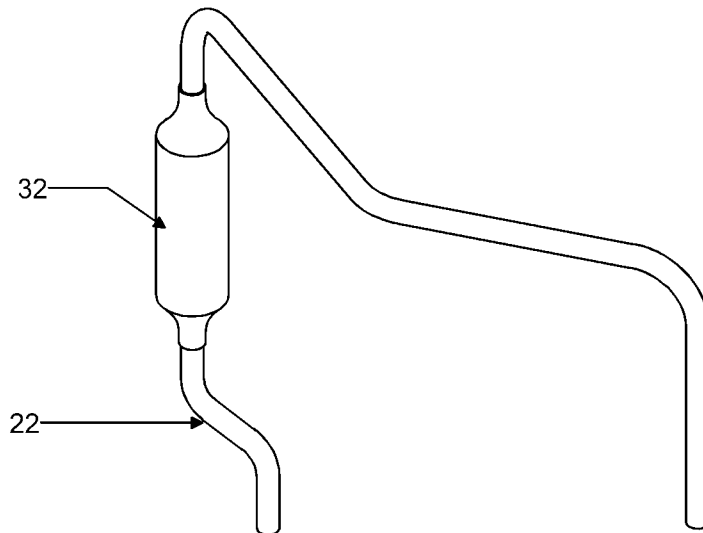


Image 1

Image 2



# Tubing

Ref. Part No:	Part No:	Description:	Ref. Part No:	Part No:	Description:
---------------	----------	--------------	---------------	----------	--------------

*Image 1:*

51	C6453306	CUTOOUT-LOW PRESS
331	M0220816	SCREW-SM (QTY AR)
3011	20319401	LIQUID VALVE WELD
NS	10720901	BLANKET-SOUND (M7, M8, M16, M19)
NS	11026501	BLANKET-SOUND (M6, M15)
NS	11026601	BLANKET-SOUND (M9, M10, M17, M20)
NS	M0321202	TIE-ELEC LG (QTY AR)
NS	M0321204	TIE-ELEC SM (M1, M2, M3, M4, M6, M7, M8, M9, M10, M11, M12, M13, M14, M15, M16, M17, M19, M20)

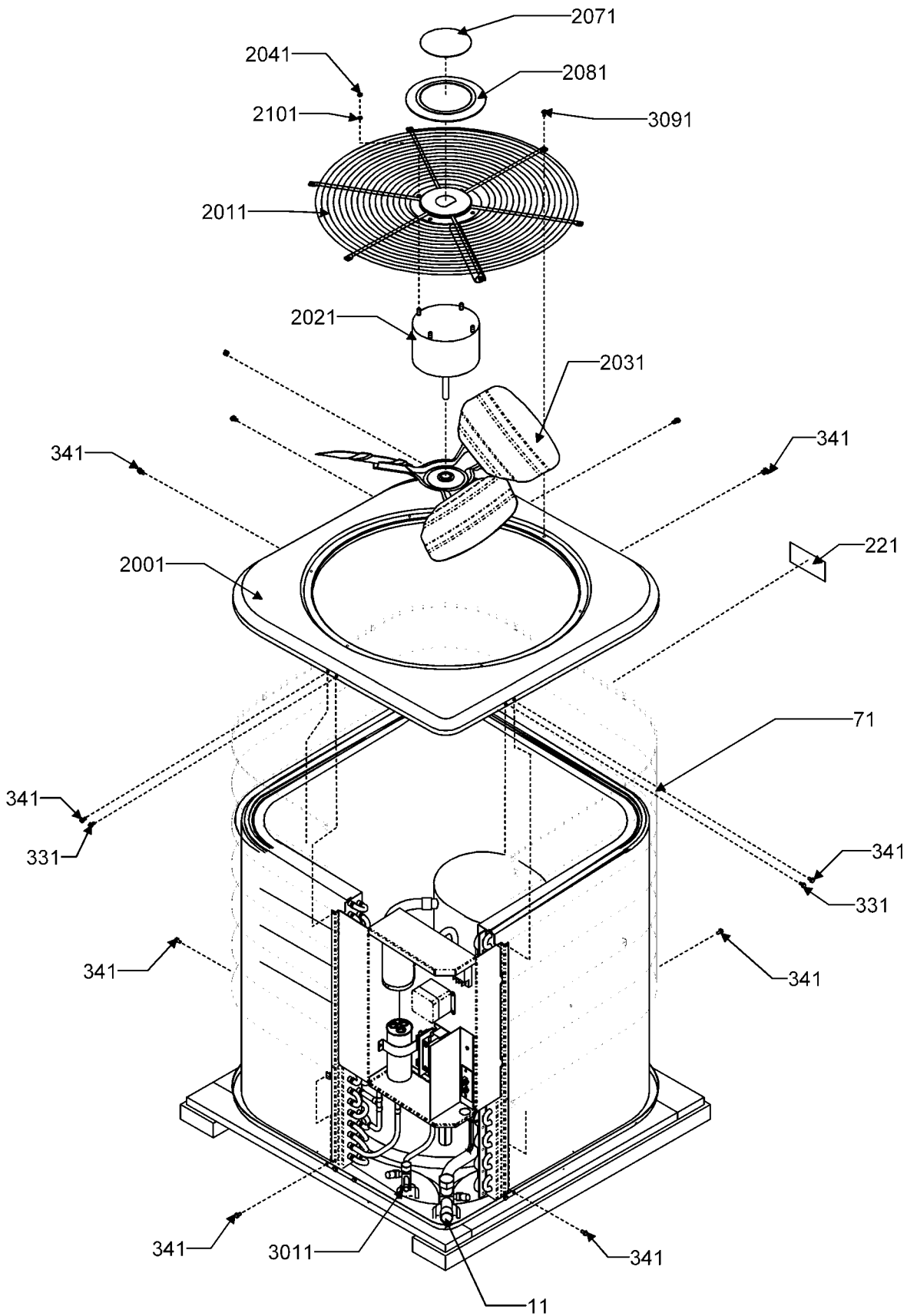
*Image 2:*

22	20316101	TUBE-SUCTION (M9, M10, M17, M20)
22	20316501	TUBE-SUCTION (M7, M8, M16, M19)
22	20316601	TUBE-SUCTION (M6, M15)
22	20316701	TUBE-SUCTION (M4, M5, M14, M18)
22	20316801	TUBE-SUCTION (M3, M13)
22	20316901	TUBE-SUCTION (M2, M12)
22	20317001	TUBE-SUCTION (M1, M11)
32	C6470601	PORT-GAGE

### Expanded Model Nomenclature

M1 - RCC18A2B	P1218511C
M2 - RCC24A2B	P1218512C
M3 - RCC30A2B	P1218513C
M4 - RCC36A2B	P1218514C
M5 - RCC36A3B	P1218515C
M6 - RCC42A2B	P1218516C
M7 - RCC48A2B	P1218517C
M8 - RCC48A3B	P1218518C
M9 - RCC60A2B	P1218519C
M10 - RCC60A3B	P1218520C
M11 - RCC18A2D	P1218521C
M12 - RCC24A2D	P1218522C
M13 - RCC30A2D	P1218523C
M14 - RCC36A2D	P1218524C
M15 - RCC42A2D	P1218525C
M16 - RCC48A2D	P1218526C
M17 - RCC60A2D	P1218527C
M18 - RCC36A3D	P1218528C
M19 - RCC48A3D	P1218529C
M20 - RCC60A3D	P1218530C

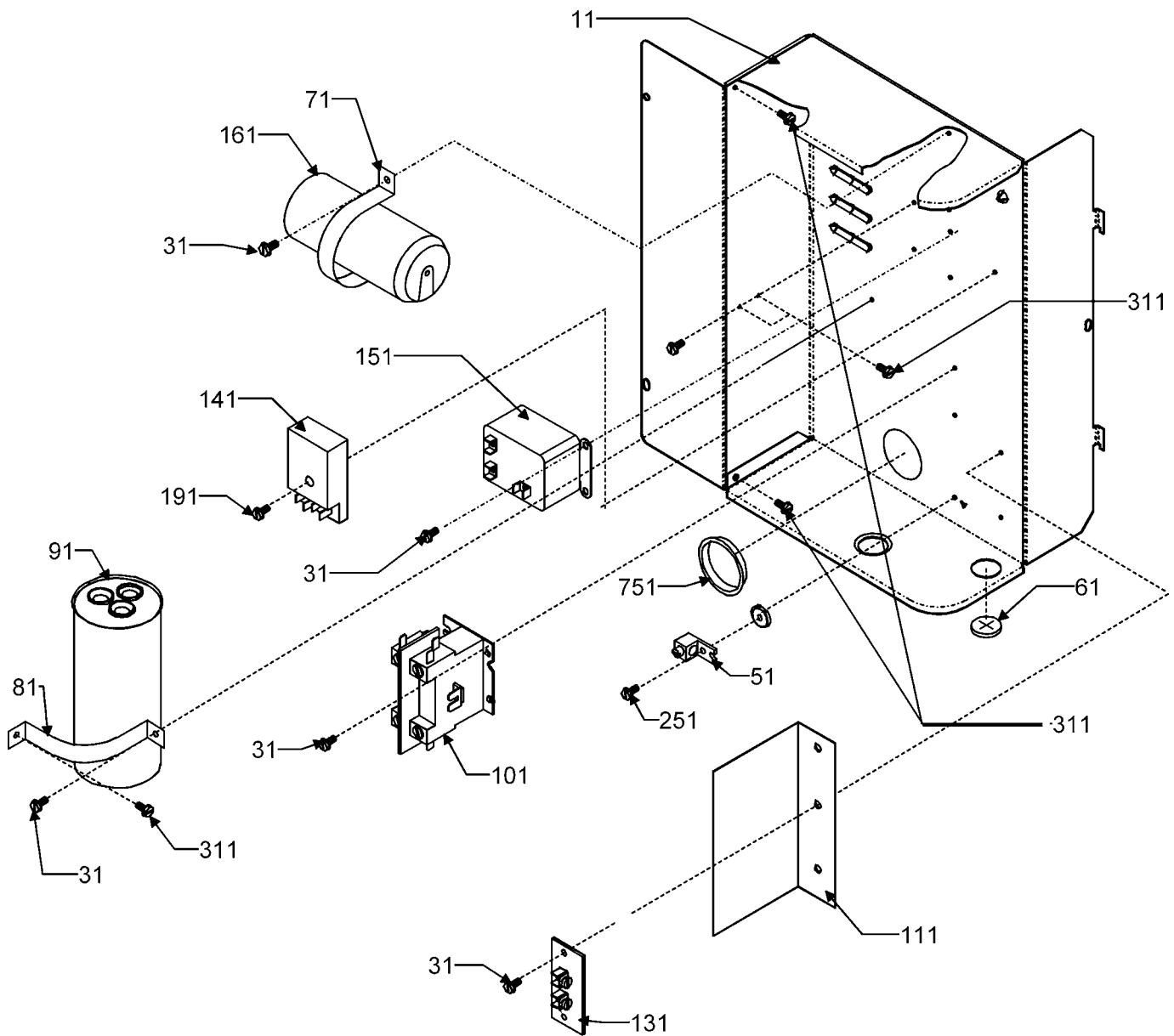
# Cabinet/Top



# Cabinet/Top

Ref. Part No:	No:	Description:	Ref. Part No:	No:	Description:
<i>Image 1:</i>			<b>Expanded Model Nomenclature</b>		
11	20163902	VALVE-SERVICE 3/4 (M2, M3, M12, M13)	M1 - RCC18A2B		P1218511C
11	20163901	VALVE-SERVICE 5/8 (M1, M11)	M2 - RCC24A2B		P1218512C
11	20163903	VALVE-SERVICE 7/8 (M4, M5, M6, M7, M8, M9, M10, M14, M15, M16, M17, M18, M19, M20)	M3 - RCC30A2B		P1218513C
71	20030514	GRILLE-FORMED (M9, M10, M17, M20)	M4 - RCC36A2B		P1218514C
71	20030515	GRILLE-FORMED (M7, M8, M16, M19)	M5 - RCC36A3B		P1218515C
71	20030516	GRILLE-FORMED (M6, M15)	M6 - RCC42A2B		P1218516C
71	20030517	GRILLE-FORMED (M4, M5, M14, M18)	M7 - RCC48A2B		P1218517C
71	20030518	GRILLE-FORMED (M1, M2, M11, M12)	M8 - RCC48A3B		P1218518C
71	20030519	GRILLE-FORMED (M3, M13)	M9 - RCC60A2B		P1218519C
221	20187902	NAMEPLATE-SIDE	M10 - RCC60A3B		P1218520C
331	M0220816	SCREW-SM (QTY AR)	M11 - RCC18A2D		P1218521C
341	M0229303	SCREW-SM (QTY AR)	M12 - RCC24A2D		P1218522C
2001	10229803	COVER-TOP (M1, M2, M11, M12)	M13 - RCC30A2D		P1218523C
2001	10576103	COVER-TOP (M3, M4, M5, M6, M13, M14, M15, M18)	M14 - RCC36A2D		P1218524C
2001	10576305	COVER-TOP (M7, M8, M9, M10, M16, M17, M19, M20)	M15 - RCC42A2D		P1218525C
2001	20027701	COVER-TOP (M1, M2)	M16 - RCC48A2D		P1218526C
2011	10589801	GRILLE-FAN (M1, M2, M11, M12)	M17 - RCC60A2D		P1218527C
2011	10589802	GRILLE-FAN (M3, M4, M5, M6, M13, M14, M15, M18)	M18 - RCC36A3D		P1218528C
2011	10589804	GRILLE-FAN (M7, M8, M9, M10, M16, M17, M19, M20)	M19 - RCC48A3D		P1218529C
2021	10584307	MOTOR-COND (M1, M2, M3, M4, M5, M11, M12, M13, M14, M18)	M20 - RCC60A3D		P1218530C
2021	10584308	MOTOR-COND (M6, M15)			
2021	10584313	MOTOR-COND (M7, M8, M9, M10, M16, M17, M19, M20)			
2031	10625703	FAN-CONDENSER (M1, M2, M11, M12)			
2031	10625704	FAN-CONDENSER (M6, M15)			
2031	10625705	FAN-CONDENSER (M3, M4, M5, M13, M14, M18)			
2031	10625707	FAN-CONDENSER (M7, M8, M9, M10, M16, M17, M19, M20)			
2041	M0280801	NUT-HEX (QTY 4)			
2071	20325002	INSERT-LOGO			
2081	10651101	DISK-LOGO			
2101	M0272803	WASHER-LOCK (QTY 4)			
3011	20319401	LIQUID VALVE WELD			
3091	M0229303	SCREW-SM (QTY AR)			

# Control Box



# Control Box

Ref. Part No:	Ref. Part No:	Description:	Description:
<i>Image 1:</i>			Expanded Model Nomenclature
11	11174704	CONTROL BOX-1PC (M1, M2, M3, M4, M6, M7, M9, M11, M12, M13, M14, M15, M16, M17)	M1 - RCC18A2B P1218511C
11	11174705	CONTROL BOX-1PC (M5, M8, M10, M18, M19, M20)	M2 - RCC24A2B P1218512C
31	M0216517	SCREW-SM (QTY AR)	M3 - RCC30A2B P1218513C
51	A9015203	LUG-GROUND	M4 - RCC36A2B P1218514C
61	A4603801	GROMMET	M5 - RCC36A3B P1218515C
71	C6300502	STRAP-CAP CO (M1, M2, M3, M4, M11, M12, M13, M14)	M6 - RCC42A2B P1218516C
71	C6300503	STRAP-CAP CO (M7, M16)	M7 - RCC48A2B P1218517C
81	C6300507	STRAP-CAP CO (M1, M2, M3, M4, M11, M12, M13, M14)	M8 - RCC48A3B P1218518C
81	C6300508	STRAP-CAP CO (M6, M7, M9, M15, M16, M17)	M9 - RCC60A2B P1218519C
81	A4055402	STRAP-CAPACITOR (M5, M8, M10, M18, M19, M20)	M10 - RCC60A3B P1218520C
91	D6879752	CAPACITOR (M5, M8, M10, M18, M19, M20)	M11 - RCC18A2D P1218521C
91	D6789047	CAPACITOR-METAL (M9, M17)	M12 - RCC24A2D P1218522C
91	D6789043	CAPACITOR-POLY (M7, M16)	M13 - RCC30A2D P1218523C
91	D6789045	CAPACITOR-POLY (M6, M15)	M14 - RCC36A2D P1218524C
91	D6789049	CAPACITOR-POLY (M1, M2, M3, M4, M11, M12, M13, M14)	M15 - RCC42A2D P1218525C
101	C6170004	CONTACTOR-25A (M1, M2, M3, M4, M6, M11, M12, M13, M14, M15)	M16 - RCC48A2D P1218526C
101	C6333501	CONTACTOR-25A (M5, M8, M10, M18, M19, M20)	M17 - RCC60A2D P1218527C
101	C6170002	CONTACTOR-30A (M7, M16)	M18 - RCC36A3D P1218528C
101	C6170005	CONTACTOR-40A (M9, M17)	M19 - RCC48A3D P1218529C
111	11156901	BARRIER-LOW VOLT	M20 - RCC60A3D P1218530C
131	B1274701	BOARD-TERM	
141	C6415502	PROTECTOR-CYCLE	
151	10142304	RELAY-START (M4, M14)	
151	10142312	RELAY-START (M2, M12)	
151	10142316	RELAY-START (M1, M11)	
151	10142321	RELAY-START (M7, M16)	
151	10142322	RELAY-START (M3, M13)	
161	B1104804	CAPACITOR-START (M1, M11)	
161	B1104806	CAPACITOR-START (M2, M3, M4, M12, M13, M14)	
161	B1104807	CAPACITOR-START (M7, M16)	
191	M0216521	SCREW-SM	
251	M0216529	SCREW-SM (QTY AR)	
311	M0216515	SCREW-SM (QTY 4)	
751	A4554807	BUSHING-SNAP	