

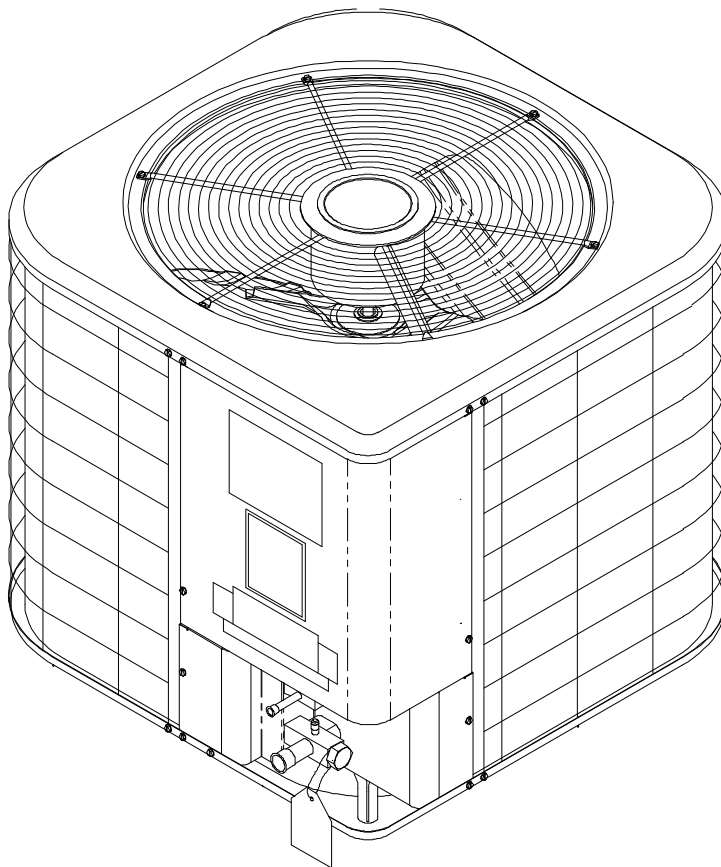
Models and manufacturing
numbers in this manual

RCC18A2B	P1218501C
RCC24A2B	P1218502C
RCC30A2B	P1218503C
RCC36A2B	P1218504C
RCC36A3B	P1218505C
RCC42A2B	P1218506C
RCC48A2B	P1218507C
RCC48A3B	P1218508C
RCC60A2B	P1218509C
RCC60A3B	P1218510C

Parts

RCC Series Remote Cooling

Parts Manual for
Amana®



This manual is to be used by qualified appliance technicians only. Amana does not assume any responsibility for property damage or personal injury for improper service procedures done by an unqualified person.

Amana
Raytheon Appliances

RP6110010
Revision 0
March 1997

Important Information

Raytheon Appliances is not responsible for personal injury or property damage resulting from improper service. Review all service information before beginning repairs.

Warranty service must be performed by an authorized technician, using authorized factory parts. If service is required after the warranty expires, Raytheon Appliances also recommends contacting an authorized technician and using authorized factory parts. Locate an authorized technician by calling 800-NATLSVC (800-628-5782).

For assistance within the U.S.A. contact:

Consumer Affairs Department
Amana, Raytheon Appliances
2800 220th Trail
PO Box 8901
Amana IA 52204-0001
319-622-5511--Telephone
319-622-2977--Facsimile

For assistance outside the U.S.A. contact:

International Division
Amana, Raytheon Appliances
2800 220th Trail
PO Box 8901
Amana IA 52204-0001
USA
319-622-5511--Telephone
319-622-8595--Facsimile

Index

Functional Parts List	4 - 5
Illustration and Parts	6 - 13

Views shown are for parts illustrations only, not servicing procedures.

Text Codes:

AR - As Required

0000 - Not Shown

QTY - Quantity Example (QTY 3) (If Quantity not shown, Quantity = 1)

M - Model Example (M1) (If M Code not shown, then part is used on all Models)

Expanded Model and Color Nomenclature:

Example

M1 - Model#1 P _____

M2 - Model#2 P _____

M3 - Model#3 P _____

Functional Parts

Part

No:

Description:

B1274701	BOARD-TERM
10099901	CAPACITOR (M5, M8, M10)
D6789047	CAPACITOR-METAL (M9)
D6789043	CAPACITOR-POLY (M7)
D6789049	CAPACITOR-POLY (M1, M2, M3, M4)
D6789045	CAPACITOR-POLY (M6)
B1104807	CAPACITOR-START (M7)
B1104806	CAPACITOR-START (M2, M3, M4)
B1104804	CAPACITOR-START (M1)
11012502	COMP-CP ZR40K3 (M6)
10289208	COMP-CP ZR57K3-PFV (M9)
10289210	COMP-CP ZR57K3-TF5 (M10)
10481805	COMP-CR30K6-PFV260 (M4)
10481806	COMP-CR30K6-TF5270 (M5)
10679708	COMP-TC AVD5542EXN (M7)
10679709	COMP-TC AVD5542EXT (M8)
10611901	COMP-TC AWC5520EXD (M2)
10611905	COMP-TC AWD5516EXD (M1)
10611908	COMP-TC AWD5524EXD (M3)
C6170004	CONTACTOR-25A (M1, M2, M3, M4, M6)
C6333501	CONTACTOR-25A (M5, M8, M10)
C6170002	CONTACTOR-30A (M7)
C6170005	CONTACTOR-40A (M9)
C6303502	CRANKCASE-HEATER (M2)
C6382501	CRANKCASE-HEATER (M4, M5)
10641501	DRIER-FILTER (M1, M2, M3)
10641502	DRIER-FILTER (M4, M5, M6, M7, M8, M9, M10)
10686509	HARNESS-COMP (M6)
10651502	HARNESS-COMP (M7)
10651514	HARNESS-COMP (M10)
10651515	HARNESS-COMP (M1)
11180601	HARNESS-WIRE (M5, M8)
11192901	HARNESS-WIRING (M2, M3, M4)
11169001	HARNESS-WIRING (M9)
10584307	MOTOR-COND (M1, M2, M3, M4, M5)
10584308	MOTOR-COND (M6)
10584310	MOTOR-COND (M7, M8, M9, M10)
11076302	PISTON-ORIFICE 0550 (M1, M2)
11076305	PISTON-ORIFICE 0630 (M3)
11076306	PISTON-ORIFICE 0689 (M4, M5)
11076309	PISTON-ORIFICE 0760 (M6)
11076312	PISTON-ORIFICE 0846 (M7, M8)
11076314	PISTON-ORIFICE 0925 (M9, M10)
C6415502	PROTECTOR-CYCLE
10142316	RELAY-START (M1)
10142321	RELAY-START (M7)
10142322	RELAY-START (M3)
10142304	RELAY-START (M4)
10142312	RELAY-START (M2)
B1443812	RESTRICTOR 054 (M1)
B1443811	RESTRICTOR 063 (M3)
B1443817	RESTRICTOR 076 (M6)
B1443805	RESTRICTOR 084 (M7, M8)

Functional Parts

Part

No: Description:

B1443810 RESTRICTOR 092 (M9, M10)

SPECIAL PARTS

11070135 RCC18A2B-SPEC SHT (M1)
11070139 RCC24A2B-SPEC SHT (M2)
11070140 RCC30A2B-SPEC SHT (M3)
11070134 RCC36A2B-SPEC SHT (M4)
11070136 RCC36A3B-SPEC SHT (M5)
11070129 RCC42A2B-SPEC SHT (M6)
11070130 RCC48A2B-SPEC SHT (M7)
11070131 RCC48A3B-SPEC SHT (M8)
11070132 RCC60A2B-SPEC SHT (M9)
11070133 RCC60A3B-SPEC SHT (M10)

Expanded Model and Color Nomenclature

M1 - RCC18A2B	P1218501C
M2 - RCC24A2B	P1218502C
M3 - RCC30A2B	P1218503C
M4 - RCC36A2B	P1218504C
M5 - RCC36A3B	P1218505C
M6 - RCC42A2B	P1218506C
M7 - RCC48A2B	P1218507C
M8 - RCC48A3B	P1218508C
M9 - RCC60A2B	P1218509C
M10 - RCC60A3B	P1218510C

Control Cover/Compressor/Tubing

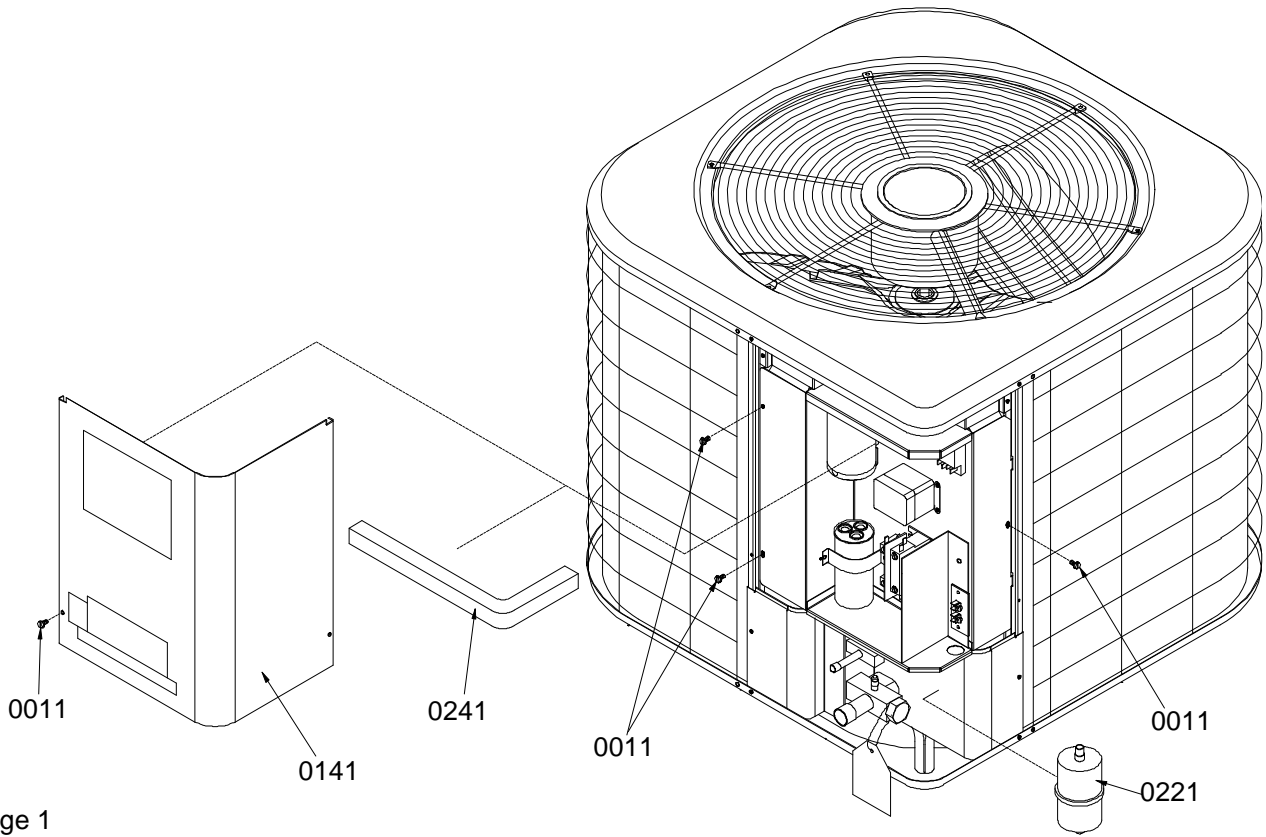


Image 1

Image 2

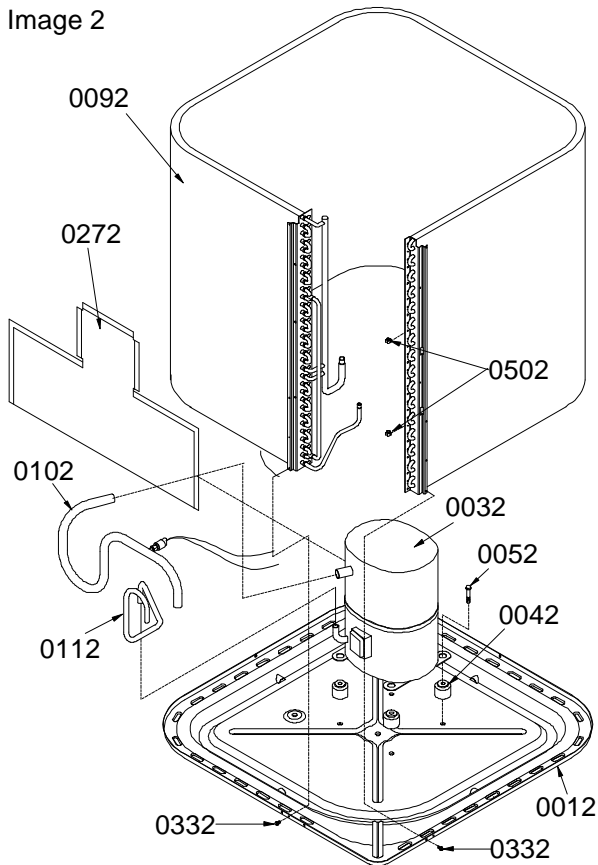


Image 3

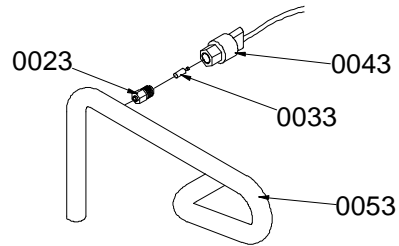


Image 4

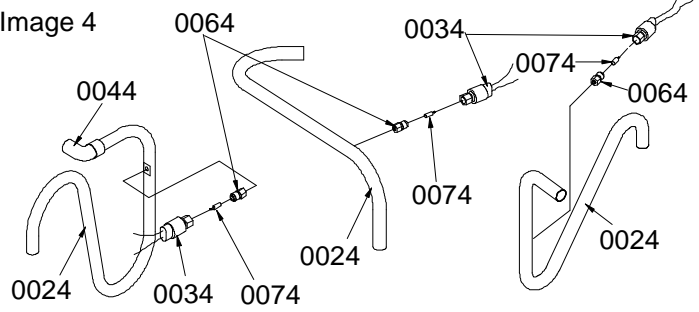


Image 5

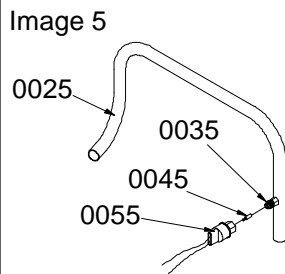
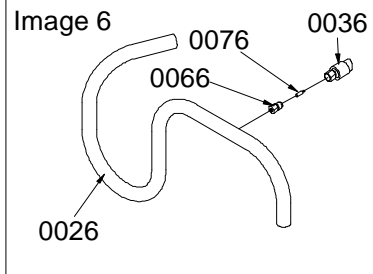


Image 6



Control Cover/Compressor/Tubing

Ref. No:	Part No:	Description:	Ref. No:	Part No:	Description:
<i>Image 1</i>			0112	10821002	TUBE-DISCH (M1)
0011	M0220816	SCREW-SM (QTY AR)	0112	11071502	TUBE-DISCH (M9, M10)
0141	10589911	CONT COVER-PNT (M1, M2, M3)	0112	20002501	TUBE-DISCH (M2)
0141	10589912	CONT COVER-PNT (M6, M7, M8)	0112	20027501	TUBE-DISCH (M3)
0141	10589914	CONT COVER-PNT (M9, M10)	0112	11141901	TUBE-DISCHARGE (M6)
0141	10589915	CONT COVER-PNT (M4, M5)	0112	11158301	TUBE-DISCHARGE (M4, M5)
0221	10641501	DRIER-FILTER (M1, M2, M3)	0272	10720901	BLANKET-SOUND (M7, M8)
0221	10641502	DRIER-FILTER (M4, M5, M6, M7, M8, M9, M10)	0272	11026501	BLANKET-SOUND (M6)
0241	11182802	GASKET-FOAM	0272	11026601	BLANKET-SOUND (M9, M10)
<i>Image 2</i>			0332	M0220816	SCREW-SM (QTY AR)
0000	10398602	COVER-TERM BOX (M6, M9, M10)	0502	M0120901	CLIP-CABLE (M1, M2, M3, M6, M7, M8, M9, M10)
0000	10566801	COVER-TERM BOX (M4)	<i>Image 3</i>		
0000	10566802	COVER-TERM BOX (M5)	0023	A4692701	VALVE-DILL (M2)
0000	C6250201	COVER-TERM BOX (M2)	0033	A4692801	VALVE-CORE (M2)
0000	C6304901	COVER-TERM BOX (M7, M8)	0043	C6453306	CUTOUT-LOW PRESS (M2)
0000	C6303502	CRANKCASE-HEATER (M2)	0053	11184003	TUBE-SUCTION (M2)
0000	C6382501	CRANKCASE-HEATER (M4, M5)	<i>Image 4</i>		
0000	10021901	GASKET-TERM BOX (M4, M5)	0024	10709901	TUBE-SUCTION (M1)
0000	10398702	GASKET-TERM BOX (M6, M9, M10)	0024	10712903	TUBE-SUCTION (M4, M5)
0000	A3410801	GASKET-TERM BOX (M2)	0024	11189201	TUBE-SUCTION (M3)
0000	B1349301	GASKET-TERM BOX (M7, M8)	0034	C6453306	CUTOUT-LOW PRESS (M1, M3, M4, M5)
0000	10482601	RETAINER-HEATER (M4, M5)	0044	A4698402	ELBOW-STREET (M1)
0000	A3430201	RETAINER-HEATER (M2, M7, M8)	0064	A4692701	VALVE-DILL (M1, M3, M4, M5)
0000	A4594001	STRAP-BALE (M2)	0074	A4692801	VALVE-CORE (M1, M3, M4, M5)
0000	B1349201	STRAP-BALE (M7, M8)	<i>Image 5</i>		
0012	10795004	BASEPAN WELD-PNT (M7, M8, M9, M10)	0025	11071602	TUBE-SUCTION (M9, M10)
0012	20027602	BASEPAN-PNT (M1, M2)	0025	11142701	TUBE-SUCTION (M6)
0012	20027802	BASEPAN-PNT (M3, M4, M5, M6)	0035	A4692701	VALVE-DILL (M6, M9, M10)
0032	11012502	COMP-CP ZR40K3 (M6)	0045	A4692801	VALVE-CORE (M6, M9, M10)
0032	10289208	COMP-CP ZR57K3-PFV (M9)	0055	C6453306	CUTOUT-LOW PRESS (M6, M9, M10)
0032	10289210	COMP-CP ZR57K3-TF5 (M10)	<i>Image 6</i>		
0032	10481805	COMP-CR30K6-PFV260 (M4)	0026	20016402	TUBE-SUCTION (M7, M8)
0032	10481806	COMP-CR30K6-TF5270 (M5)	0036	C6453306	CUTOUT-LOW PRESS (M7, M8)
0032	10679708	COMP-TC AVD5542EXN (M7)	0066	A4692701	VALVE-DILL (M7, M8)
0032	10679709	COMP-TC AVD5542EXT (M8)	0076	A4692801	VALVE-CORE (M7, M8)
0032	10611901	COMP-TC AWC5520EXD (M2)	Expanded Model and Color Nomenclature		
0032	10611905	COMP-TC AWD5516EXD (M1)	M1 - RCC18A2B	P1218501C	
0032	10611908	COMP-TC AWD5524EXD (M3)	M2 - RCC24A2B	P1218502C	
0042	C6466001	GROMMET-COMP (M7, M8)	M3 - RCC30A2B	P1218503C	
0042	10107301	GROMMET-COMP FOOT (M6, M9, M10)	M4 - RCC36A2B	P1218504C	
0042	B1315401	GROMMET-COMP FOOT (M1, M2, M3, M4, M5)	M5 - RCC36A3B	P1218505C	
0052	M0221641	SCREW-SHOULDER TF (QTY 4)	M6 - RCC42A2B	P1218506C	
0092	10625104	COND ASSY-PPNT (M1)	M7 - RCC48A2B	P1218507C	
0092	11137803	COND ASSY-PPNT (M7, M8)	M8 - RCC48A3B	P1218508C	
0092	11138402	COND ASSY-PPNT (M9, M10)	M9 - RCC60A2B	P1218509C	
0092	11142002	COND ASSY-PPNT (M6)	M10 - RCC60A3B	P1218510C	
0092	11163802	COND ASSY-PPNT (M4, M5)			
0092	11181002	COND ASSY-PPNT (M3)			
0092	11183806	COND ASSY-PPNT (M2)			
0102	10710001	SUCTION TUBE WELD (M1)			
0102	10710502	SUCTION TUBE WELD (M4)			
0102	10710502	SUCTION TUBE WELD (M5)			
0102	11070008	SUCTION TUBE WELD (M9, M10)			
0102	11070011	SUCTION TUBE WELD (M6)			
0102	11189401	SUCTION TUBE WELD (M3)			
0102	20009201	SUCTION TUBE WELD (M2)			
0102	20016601	SUCTION TUBE WELD (M7, M8)			
0112	20015201	DISCH WELD (M7, M8)			

Tubing

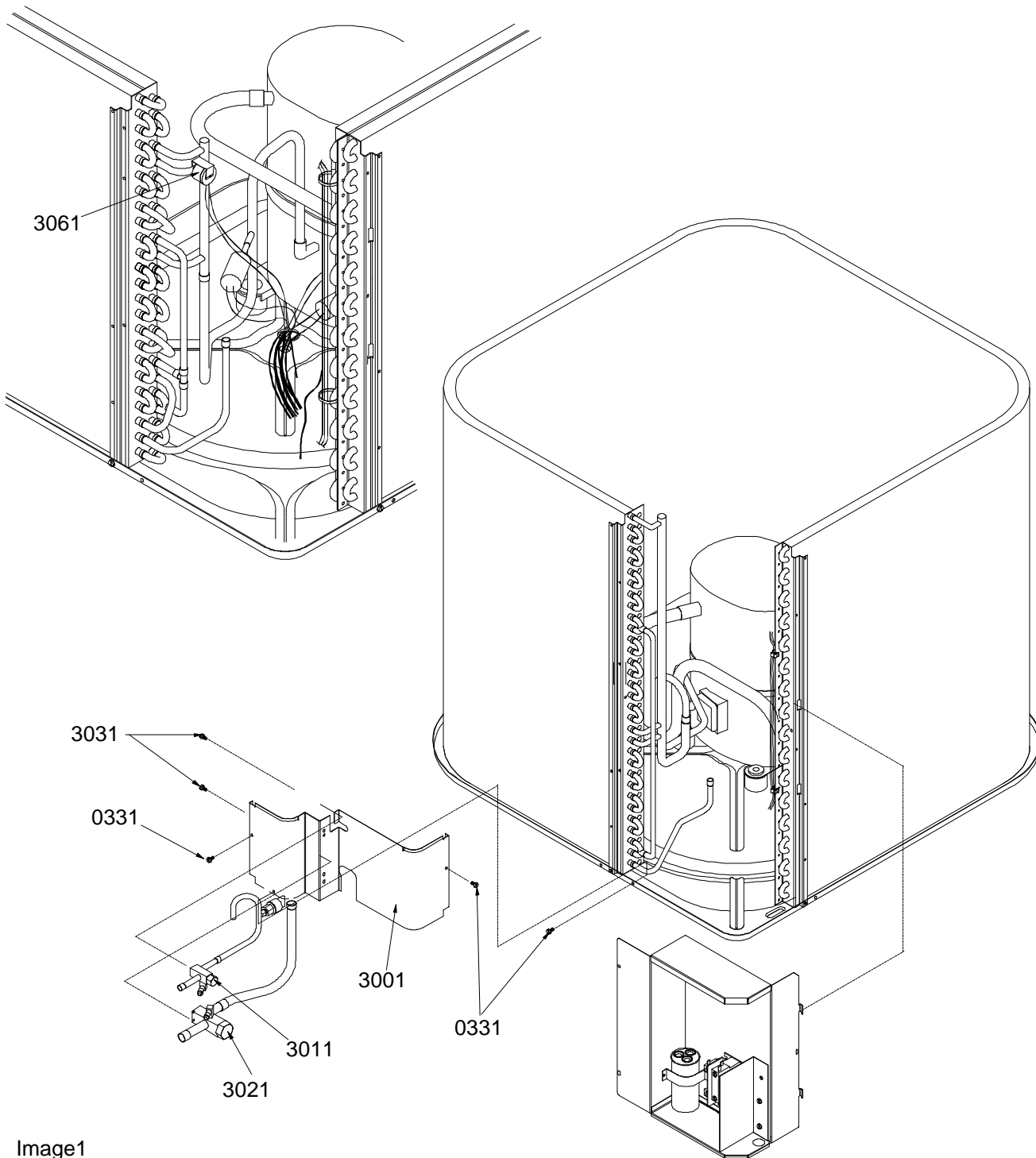


Image1

Image2

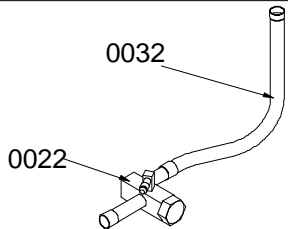
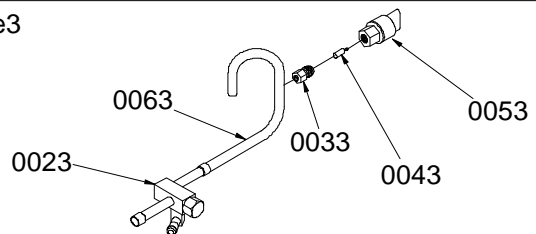


Image3



Tubing

Ref. No:	Part No:	Description:	Ref. No:	Part No:	Description:
----------	----------	--------------	----------	----------	--------------

Image 1

0331	M0220816	SCREW-SM (QTY AR)
3001	10576206	SWT VLV BRKT-PNT
3011	11055821	LIQUID VALVE WELD
3021	11030916	SWEAT VALVE WELD (M4, M5, M6, M7, M8, M9, M10)
3021	11030919	SWEAT VALVE WELD (M1)
3021	11030920	SWEAT VALVE WELD (M2, M3)
3031	M0220816	SCREW-SM (QTY AR)
3061	11046706	DISC-THERMOSTAT (M1, M2, M3, M4)

Image 2

0022	20023002	VALVE-SWEAT (M1)
0022	20023003	VALVE-SWEAT (M2, M3)
0022	20023004	VALVE-SWEAT (M4, M5, M6, M7, M8, M9, M10)
0032	10639903	TUBE-SUC/SWT VLV (M1)
0032	10719902	TUBE-SUCTION (M4, M5, M6, M7, M8, M9, M10)
0032	10719803	TUBE-SWEAT VLV (M2, M3)

Image 3

0023	20023001	VALVE-SWEAT
0033	A4692701	VALVE-DILL
0043	A4692801	VALVE-CORE
0053	C6453406	CUTOUT-HIGH PRESS
0063	11048705	TUBE-LIQ VLV

Expanded Model and Color Nomenclature

M1 - RCC18A2B	P1218501C
M2 - RCC24A2B	P1218502C
M3 - RCC30A2B	P1218503C
M4 - RCC36A2B	P1218504C
M5 - RCC36A3B	P1218505C
M6 - RCC42A2B	P1218506C
M7 - RCC48A2B	P1218507C
M8 - RCC48A3B	P1218508C
M9 - RCC60A2B	P1218509C
M10 - RCC60A3B	P1218510C

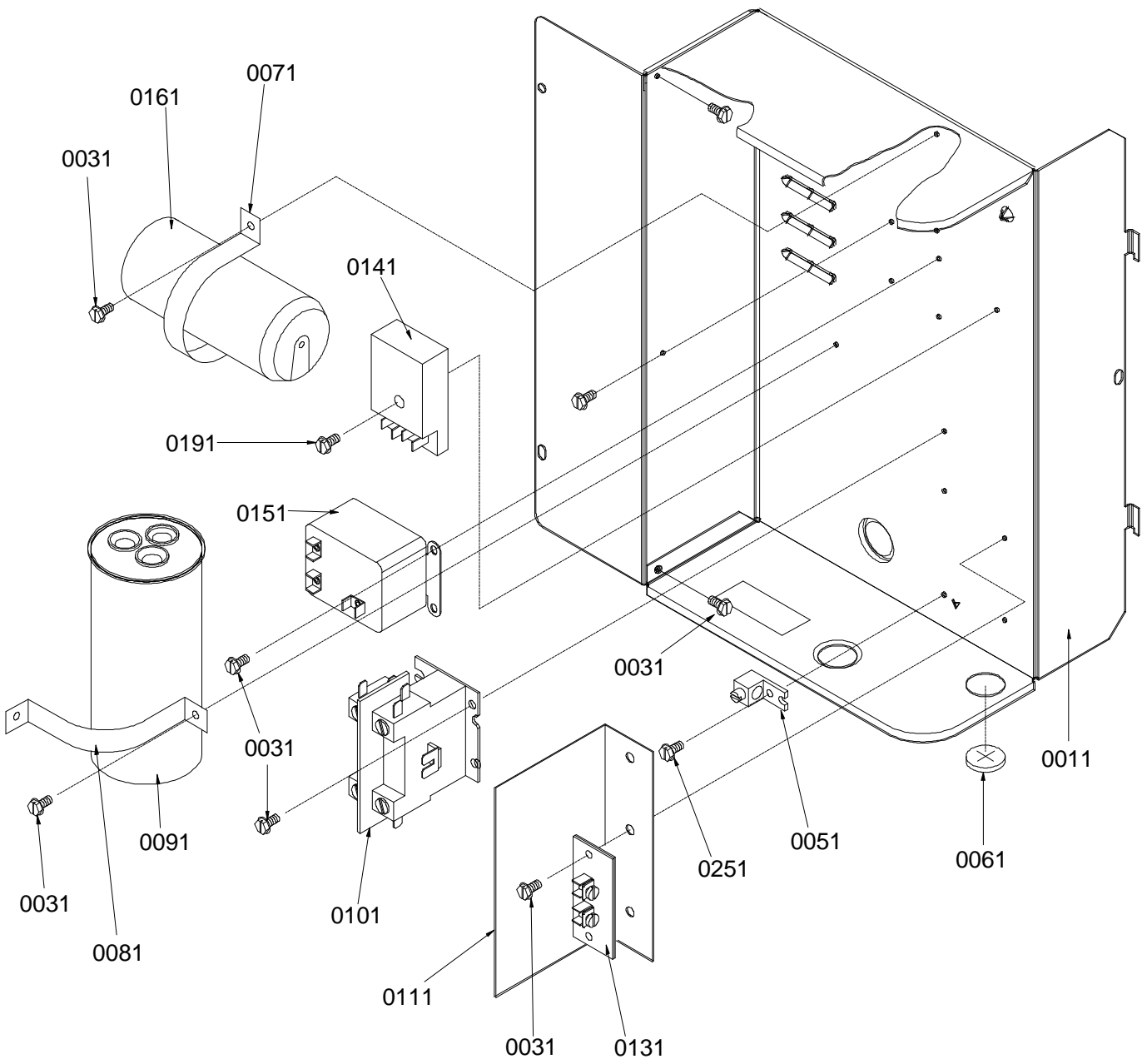
Cabinet/Top

Ref. No:	Part No:	Description:	Ref. No:	Part No:	Description:
<i>Image 1</i>					
0071	20030501	GRILLE-FORMED (M1, M2)			
0071	20030503	GRILLE-FORMED (M4, M5)			
0071	20030504	GRILLE-FORMED (M3)			
0071	20030505	GRILLE-FORMED (M6)			
0071	20030506	GRILLE-FORMED (M7, M8)			
0071	20030508	GRILLE-FORMED (M9, M10)			
0331	M0220816	SCREW-SM (QTY AR)			
0341	M0229130	SCREW-SD (QTY 12)			
2001	20027702	TOP COVER-PNT (M1, M2)			
2001	20027902	TOP COVER-PNT (M3, M4, M5, M6)			
2001	20028102	TOP COVER-PNT (M7, M8, M9, M10)			
2011	10589801	GRILLE-FAN (M1, M2)			
2011	10589802	GRILLE-FAN (M3, M4, M5, M6)			
2011	10589804	GRILLE-FAN (M7, M8, M9, M10)			
2021	10584307	MOTOR-COND (M1, M2, M3, M4, M5)			
2021	10584308	MOTOR-COND (M6)			
2021	10584310	MOTOR-COND (M7, M8, M9, M10)			
2031	10625703	FAN-CONDENSER (M1, M2)			
2031	10625704	FAN-CONDENSER (M6)			
2031	10625705	FAN-CONDENSER (M3, M4, M5)			
2031	10625707	FAN-CONDENSER (M7, M8, M9, M10)			
2041	M0280801	NUT-HEX (QTY 4)			
2081	10651101	DISK-LOGO			
2101	M0272803	WASHER-LOCK (QTY 2)			

Expanded Model and Color Nomenclature

M1 - RCC18A2B	P1218501C
M2 - RCC24A2B	P1218502C
M3 - RCC30A2B	P1218503C
M4 - RCC36A2B	P1218504C
M5 - RCC36A3B	P1218505C
M6 - RCC42A2B	P1218506C
M7 - RCC48A2B	P1218507C
M8 - RCC48A3B	P1218508C
M9 - RCC60A2B	P1218509C
M10 - RCC60A3B	P1218510C

Control Box



Control Box

Ref. No:	Part No:	Description:	Ref. No:	Part No:	Description:
<i>Image 1</i>					
0011	11174704	CONTROL BOX-1 PIECE (M1, M2, M3, M4, M6, M7, M9)			
0011	11174705	CONTROL BOX-1 PIECE (M5, M8, M10)			
0031	M0216517	SCREW-SM (QTY AR)			
0051	A9015203	LUG-GROUND			
0061	A4603801	GROMMET			
0071	C6300502	STRAP-CAPACITOR CO (M1, M2, M3, M4)			
0071	C6300503	STRAP-CAPACITOR CO (M7)			
0081	A4055402	STRAP-CAPACITOR (M5, M8, M10)			
0081	C6300512	STRAP-CAPACITOR (M1, M2, M3, M4)			
0081	C6300508	STRAP-CAPACITOR CO (M6, M7, M9)			
0091	10099901	CAPACITOR (M5, M8, M10)			
0091	D6789047	CAPACITOR-METAL (M9)			
0091	D6789043	CAPACITOR-POLY (M7)			
0091	D6789045	CAPACITOR-POLY (M6)			
0091	D6789049	CAPACITOR-POLY (M1, M2, M3, M4)			
0101	C6170004	CONTACTOR-25A (M1, M2, M3, M4, M6)			
0101	C6333501	CONTACTOR-25A (M5, M8, M10)			
0101	C6170002	CONTACTOR-30A (M7)			
0101	C6170005	CONTACTOR-40A (M9)			
0111	11156901	BARRIER-LOW VOLT			
0131	B1274701	BOARD-TERM			
0141	C6415502	PROTECTOR-CYCLE			
0151	10142304	RELAY-START (M4)			
0151	10142312	RELAY-START (M2)			
0151	10142316	RELAY-START (M1)			
0151	10142321	RELAY-START (M7)			
0151	10142322	RELAY-START (M3)			
0161	B1104804	CAPACITOR-START (M1)			
0161	B1104806	CAPACITOR-START (M2, M3, M4)			
0161	B1104807	CAPACITOR-START (M7)			
0191	M0216521	SCREW-SM (QTY AR)			
0251	M0216529	SCREW-SM (QTY AR)			

Expanded Model and Color Nomenclature

M1 - RCC18A2B	P1218501C
M2 - RCC24A2B	P1218502C
M3 - RCC30A2B	P1218503C
M4 - RCC36A2B	P1218504C
M5 - RCC36A3B	P1218505C
M6 - RCC42A2B	P1218506C
M7 - RCC48A2B	P1218507C
M8 - RCC48A3B	P1218508C
M9 - RCC60A2B	P1218509C
M10 - RCC60A3B	P1218510C