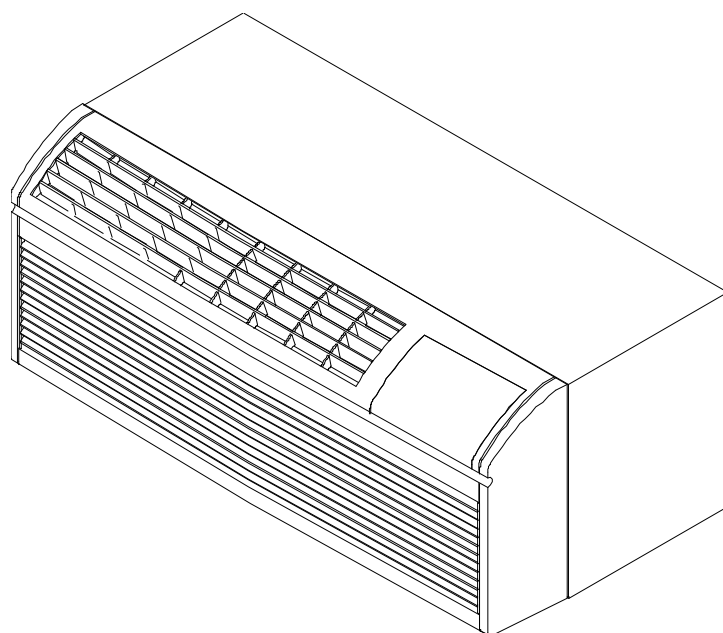


# Parts

## Package Terminal Air Conditioner (Heat Pump Models)

This manual replaces RP4220001 Rev. 1.



Models and manufacturing numbers in this manual

PTH074A25BA	P1216319R
PTH093A35BA	P1216310R
PTH093A35JA	P1217810R
PTH093A35KA	P1216502R
PTH093A35LA	P1218002R
PTH094A25BA	P1216320R
PTH094A35BA	P1216314R
PTH094A35JA	P1217814R
PTH094A35KA	P1216506R
PTH123A35JA	P1217811R
PTH123A50BA	P1216322R
PTH123A50JA	P1217820R
PTH123A50KA	P1216510R
PTH123A50LA	P1218010R
PTH153A50JA	P1217821R

This manual is to be used by qualified appliance technicians only. Amana does not assume any responsibility for property damage or personal injury for improper service procedures done by an unqualified person.

**Amana**

RP4220001  
Revision 2  
April 1998

## Important Information

---

Amana is not responsible for personal injury or property damage resulting from improper service. Review all service information before beginning repairs.

Warranty service must be performed by an authorized technician, using authorized factory parts. If service is required after the warranty expires, Amana also recommends contacting an authorized technician and using authorized factory parts. Locate an authorized technician by calling 800-NATLSVC (800-628-5782).

For assistance within the U.S.A. contact:

Consumer Affairs Department  
Amana  
2800 220th Trail  
PO Box 8901  
Amana IA 52204-0001  
319-622-5511--Telephone  
319-622-2977--Facsimile

For assistance outside the U.S.A. contact:

International Division  
Amana  
2800 220th Trail  
PO Box 8901  
Amana IA 52204-0001  
USA  
319-622-5511--Telephone  
319-622-8595--Facsimile

**Index**

Functional Parts List .....	4 - 5
Illustration and Parts .....	6 - 17

*Views shown are for parts illustrations only, not servicing procedures.*

Rev 2; Added models PTH123A35JA, PTH153A50JA

**Text Codes:**

- AR - As Required
- 0000 - Not Shown
- QTY - Quantity Example (QTY 3) (If Quantity not shown, Quantity = 1)
- M - Model Example (M1) (If M Code not shown, then part is used on all Models)

**Expanded Model and Color Nomenclature:**

Example	
M1 - Model#1	P _____
M2 - Model#2	P _____
M3 - Model#3	P _____

# Functional Parts

## Part

## No:

## Description:

---

B1160701	BOARD-TERM
D6887710	COMPRESSOR (M3)
D6887711	COMPRESSOR (M1, M6, M9, M14)
D6887712	COMPRESSOR (M2, M4, M7, M11)
D6926116	COMPRESSOR (M13)
D6985807	COMPRESSOR (M5, M8, M10, M12, M15)
11114501	CORD-250V 20A (M1, M6, M9, M10, M14)
11114601	CORD-250V 30A (M5, M8, M12, M13, M15)
11114701	CORD-277V-20A (M2, M3, M4, M7, M11)
11046702	DISC-THERMOSTAT
11149201	FAN-MUFFIN (M1, M2, M3, M4, M5, M6, M7, M8)
A3410402	FUSE-15A (M3, M4)
A3410403	FUSE-20A (M2, M7, M11)
10685008	HARNESS-COIL
11116203	HTR 3 3.5KW ASSY (M1, M6, M9, M10, M14)
11177801	HTR 3 5.0 KW ASSY (M5, M8, M12, M15)
11116205	HTR 3 5.0KW ASSY (M13)
11116207	HTR 4 2.5KW ASSY (M3, M4)
11116208	HTR 4 3.7 KW ASSY (M2, M7, M11)
11172801	MOTOR
11114904	MOTOR-FAN (M2, M3, M4, M7, M11)
11114903	MOTOR-FAN (M13)
11114902	MOTOR-FAN (M5, M8, M10, M12, M15)
11114901	MOTOR-FAN (M1, M6, M9, M14)
D6961639	OVERLOAD (M1, M6, M9, M14)
D6961607	OVERLOAD (M13)
D6961637	OVERLOAD (M3)
D6961642	OVERLOAD (M2, M4, M7, M11)
D6961612	OVERLOAD (M5, M8, M10, M12, M15)
11043301	PC BOARD
11125301	PUMP-CONDENSATE (M6, M7, M8, M14, M15)
C8873932	RELAY
C8873917	RELAY (M5, M6, M7, M8, M12, M14, M15)
B1337701	SWITCH-PADDLE
B1378501	XFMR (M1, M5, M6, M8, M9, M10, M12, M13, M14, M15)
11172101	XFMR (M2, M3, M4, M7, M11)

# Functional Parts

## Part

**No:**            **Description:**

---

### SPECIAL PARTS

11045201    FILTER  
11113301    MANUAL-OWNERS  
RP4220001   MANUAL-PARTS

### Expanded Model and Color Nomenclature

M1 - PTH093A35BA	P1216310R
M2 - PTH094A35BA	P1216314R
M3 - PTH074A25BA	P1216319R
M4 - PTH094A25BA	P1216320R
M5 - PTH123A50BA	P1216322R
M6 - PTH093A35KA	P1216502R
M7 - PTH094A35KA	P1216506R
M8 - PTH123A50KA	P1216510R
M9 - PTH093A35JA	P1217810R
M10 - PTH123A35JA	P1217811R
M11 - PTH094A35JA	P1217814R
M12 - PTH123A50JA	P1217820R
M13 - PTH153A50JA	P1217821R
M14 - PTH093A35LA	P1218002R
M15 - PTH123A50LA	P1218010R

# Front/Chassis

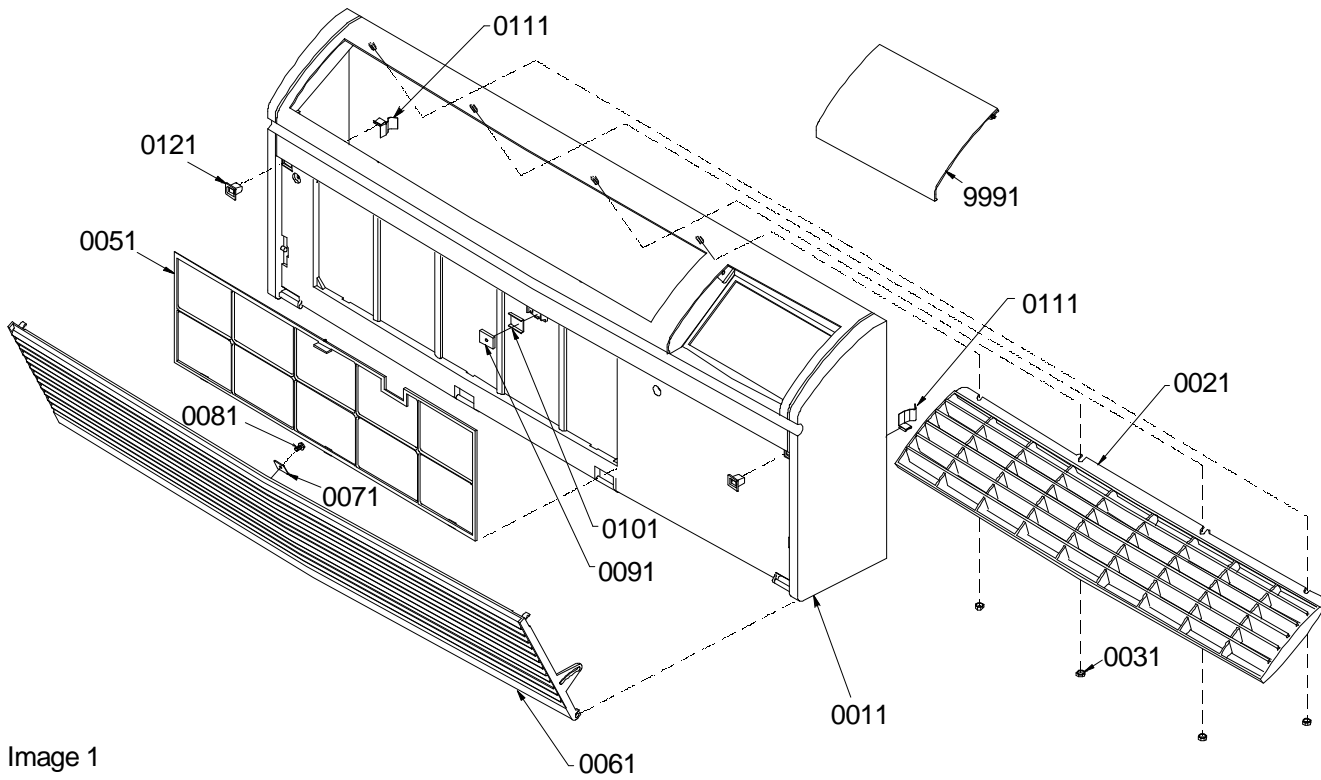
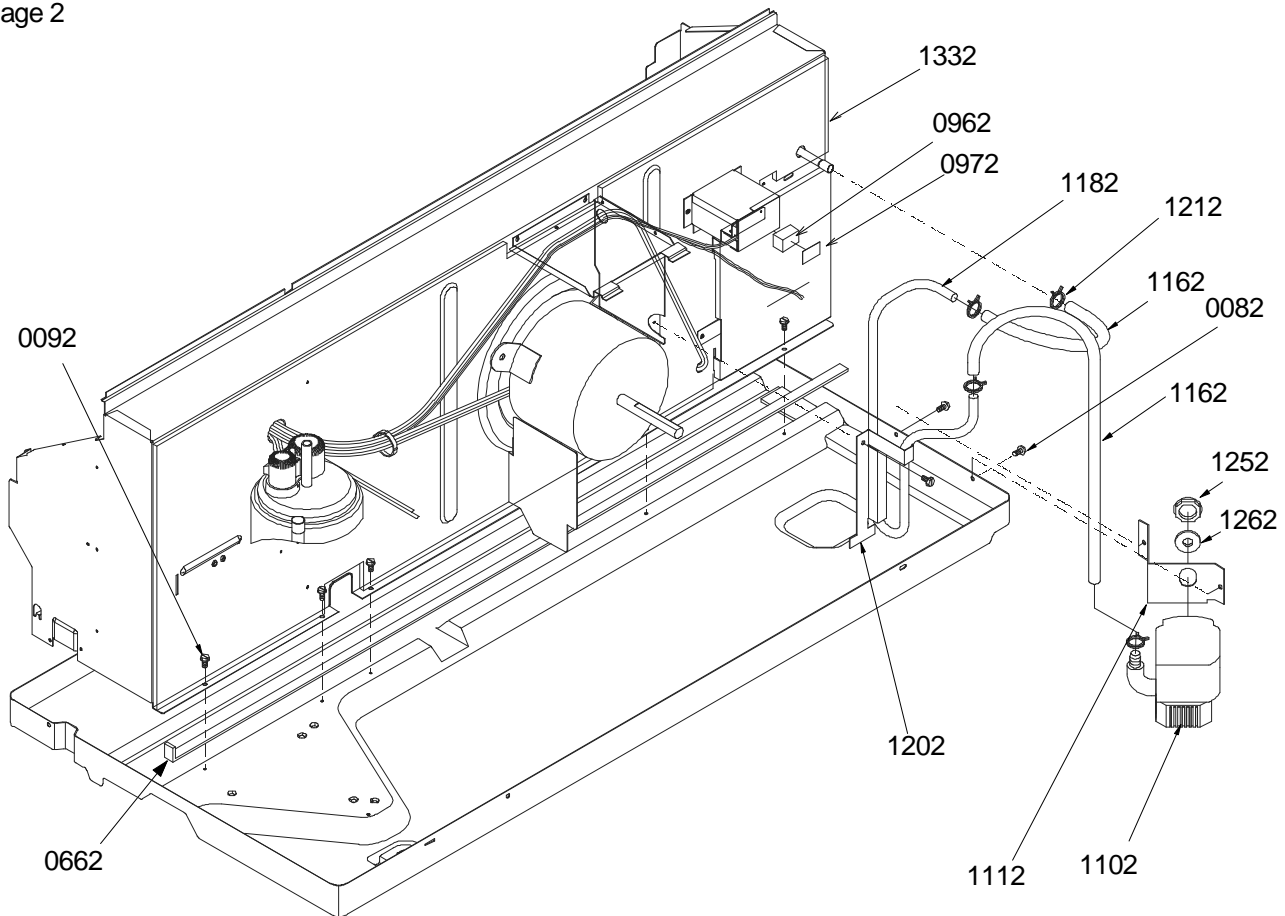


Image 1

Image 2



# Front/Chassis

Ref. No:	Part No:	Description:	Ref. No:	Part No:	Description:
----------	----------	--------------	----------	----------	--------------

*Image 1*

0011	11042701	FRONT
0021	11167401	GRILLE-DISCHARGE
0031	M0293604	PALNUT (QTY 4)
0051	11045201	FILTER
0061	11042602	GRILLE-INTAKE
0071	11047101	STRIKE
0081	M0253217	SCREW-TF
0091	11047301	MAGNET
0101	11047201	HOLDER-MAGNET
0111	11045102	CLIP-SIDE (QTY 2)
0121	10690002	DOOR CATCH ASSY (QTY 2)
9991	11143301	DOOR ASSY-AMANA

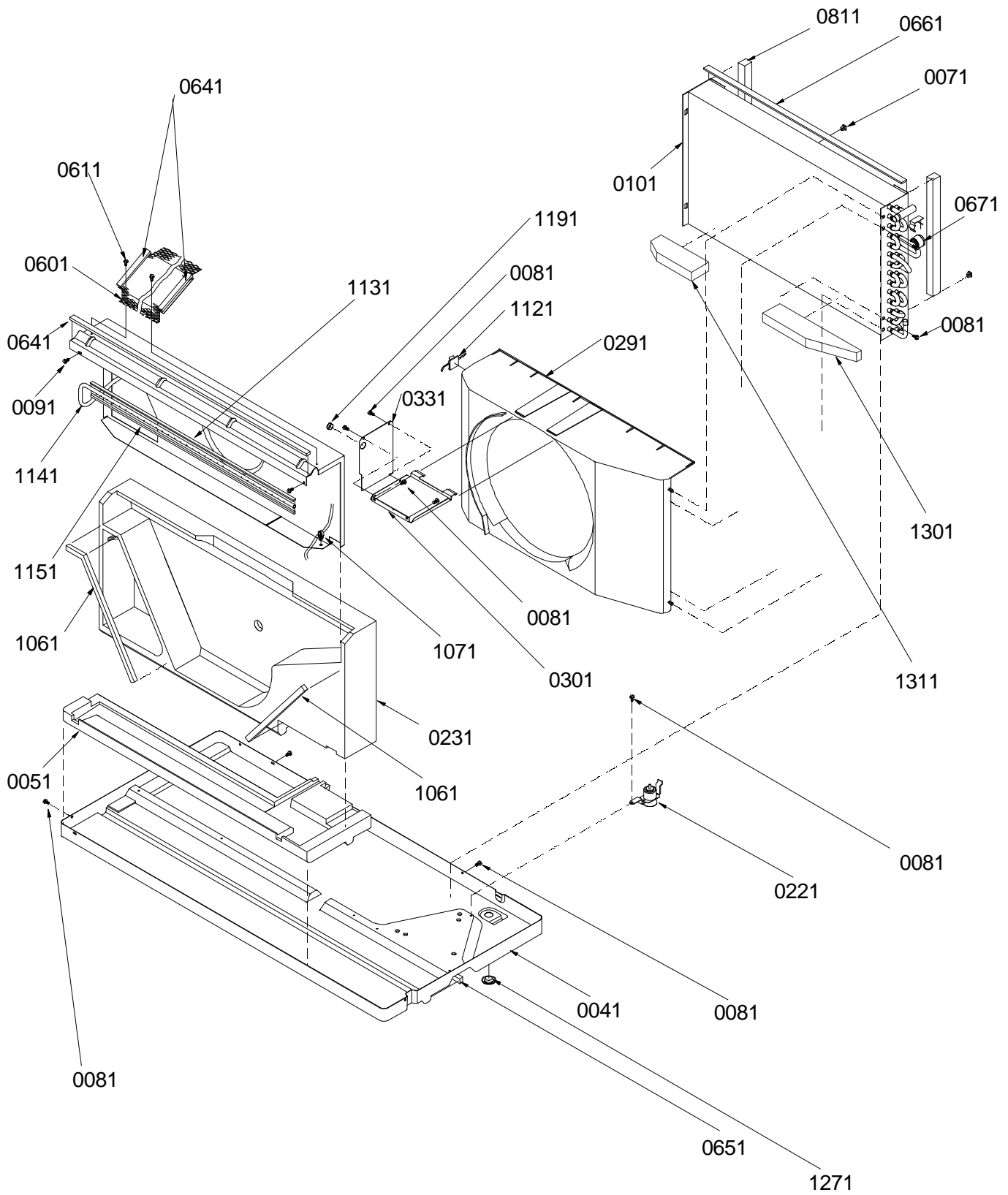
*Image 2*

0082	M0211216	SCREW-SM (M6, M7, M8, M14, M15)
0092	M0216716	SCREW-SM (M1, M2, M3, M4, M5, M6, M7, M8, M9, M11, M12, M14, M15) (QTY AR)
0662	10839803	GASKET-CROSS LINK (QTY AR)
0962	11178201	INSUL
0972	11178301	BUMPER
1102	11125301	PUMP-CONDENSATE (M6, M7, M8, M14, M15)
1112	20185701	BRKT-COND PUMP (M6, M7, M8, M14, M15)
1162	A3435001	TUBE-VINYL (M6, M7, M8, M14, M15) (QTY AR)
1182	11165901	TUBE-RESTRICTOR (M6, M7, M8, M14, M15)
1202	11135901	BRKT-RESTRICTOR (M6, M7, M8, M14, M15)
1212	M0119204	CLAMP-HOSE (M6, M7, M8, M14, M15) (QTY 4)
1252	10100401	NUT-COND PUMP (M6, M7, M8, M14, M15)
1262	M0270542	WASHER-FLAT (M6, M7, M8, M14, M15)
1332	20208601	INSUL-PARTITION PNL

### Expanded Model and Color Nomenclature

M1 - PTH093A35BA	P1216310R
M2 - PTH094A35BA	P1216314R
M3 - PTH074A25BA	P1216319R
M4 - PTH094A25BA	P1216320R
M5 - PTH123A50BA	P1216322R
M6 - PTH093A35KA	P1216502R
M7 - PTH094A35KA	P1216506R
M8 - PTH123A50KA	P1216510R
M9 - PTH093A35JA	P1217810R
M10 - PTH123A35JA	P1217811R
M11 - PTH094A35JA	P1217814R
M12 - PTH123A50JA	P1217820R
M13 - PTH153A50JA	P1217821R
M14 - PTH093A35LA	P1218002R
M15 - PTH123A50LA	P1218010R

# Chassis



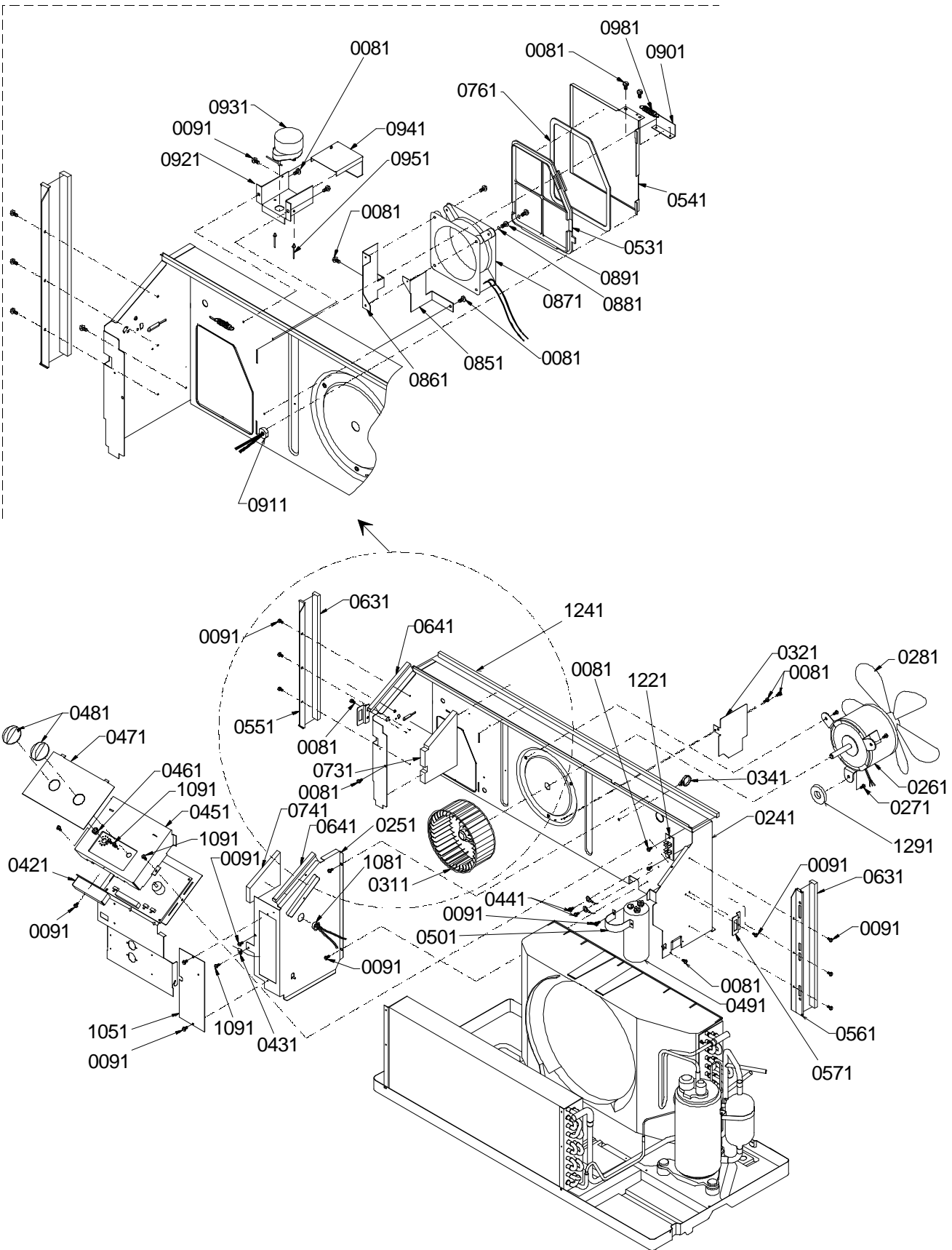
# Chassis

Ref. No:	Part No:	Description:	Ref. No:	Part No:	Description:
<i>Image 1</i>					
0041	11042507	BASEPAN-PNT			
0051	11044702	PAD-EVAPORATOR			
0071	A3315701	GROMMET (QTY 2)			
0081	M0211216	SCREW-SM (QTY AR)			
0091	M0216716	SCREW-SM (QTY AR)			
0101	20007502	COND ASSY (M5, M8, M10, M12, M13, M15)			
0101	20007503	COND ASSY (M1, M2, M4, M6, M7, M9, M11, M14)			
0101	20007702	COND ASSY (M3)			
0221	11043402	VALVE-DRAIN PAN (M1, M2, M3, M4, M5, M9, M10, M11, M12, M13)			
0231	11045801	SCROLL-BLOWER			
0291	11167301	SHROUD-CONDENSER			
0301	11044201	BRACE-TIE			
0331	11046501	BAFFLE-TOP			
0601	11123905	SCREEN-DISCH			
0611	M0204517	SCREW-SM STL ZINC (QTY AR)			
0641	10839705	GASKET-URETHANE (QTY AR)			
0651	10839808	GASKET-FOAM (QTY AR)			
0661	10839803	GASKET-CROSS LINK (QTY AR)			
0671	11046705	DISC-THERMOSTAT			
0811	10839712	GASKET-URETHANE (QTY AR)			
1061	10839716	GASKET-URETHANE (QTY AR)			
1071	M0120801	CLIP-GUIDE			
1121	M0104102	CLIP-CORD (M6, M7, M8, M14, M15)			
1131	10839802	GASKET-CROSS LINK (M6, M7, M8, M14, M15) (QTY AR)			
1141	20011202	TUBE-CONDENSATE (M6, M7, M8, M14, M15)			
1151	10839813	GASKET-FOAM (M6, M7, M8, M14, M15) (QTY AR)			
1191	A4554812	SNAP BUSHING			
1271	A3080003	PLUG-BUTTON (M6, M7, M8, M14, M15)			
1301	20189701	INSUL-COND RH			
1311	20189801	INSUL-COND LH			

## Expanded Model and Color Nomenclature

M1 - PTH093A35BA	P1216310R
M2 - PTH094A35BA	P1216314R
M3 - PTH074A25BA	P1216319R
M4 - PTH094A25BA	P1216320R
M5 - PTH123A50BA	P1216322R
M6 - PTH093A35KA	P1216502R
M7 - PTH094A35KA	P1216506R
M8 - PTH123A50KA	P1216510R
M9 - PTH093A35JA	P1217810R
M10 - PTH123A35JA	P1217811R
M11 - PTH094A35JA	P1217814R
M12 - PTH123A50JA	P1217820R
M13 - PTH153A50JA	P1217821R
M14 - PTH093A35LA	P1218002R
M15 - PTH123A50LA	P1218010R

# Chassis



# Chassis

Ref. Part No:	Part No:	Description:	Ref. Part No:	Part No:	Description:
<i>Image 1</i>			Expanded Model and Color Nomenclature		
0081	M0211216	SCREW-SM (QTY AR)	M1 - PTH093A35BA		P1216310R
0091	M0216716	SCREW-SM (QTY AR)	M2 - PTH094A35BA		P1216314R
0241	11045502	PARTITION PANEL	M3 - PTH074A25BA		P1216319R
0251	11167503	PANEL-MID PART	M4 - PTH094A25BA		P1216320R
0261	11114901	MOTOR-FAN (M1, M6, M9, M14)	M5 - PTH123A50BA		P1216322R
0261	11114902	MOTOR-FAN (M5, M8, M10, M12, M15)	M6 - PTH093A35KA		P1216502R
0261	11114903	MOTOR-FAN (M13)	M7 - PTH094A35KA		P1216506R
0261	11114904	MOTOR-FAN (M2, M3, M4, M7, M11)	M8 - PTH123A50KA		P1216510R
0271	M0224956	SCREW-TAP R (QTY 3)	M9 - PTH093A35JA		P1217810R
0281	20046501	FAN-PL. COND.	M10 - PTH123A35JA		P1217811R
0311	11044101	WHEEL-BLOWER	M11 - PTH094A35JA		P1217814R
0321	11045402	COND INLET BAFF-PNT	M12 - PTH123A50JA		P1217820R
0341	M0118702	CLIP-GUIDE	M13 - PTH153A50JA		P1217821R
0421	11045601	COVER-TERM BLOCK	M14 - PTH093A35LA		P1218002R
0431	M0108104	CLAMP-TUBE	M15 - PTH123A50LA		P1218010R
0441	M0227803	SCREW-TC (QTY 2)			
0451	11044401	COVER-CONTROL PANEL			
0461	M0117902	CLIP-TUBULAR			
0471	20005701	PLATE-ESC			
0481	11042902	KNOB-CONTROL (QTY 2)			
0491	D6879833	CAPACITOR (M1, M6, M9, M14)			
0491	D6879850	CAPACITOR (M5, M8, M10, M12, M15)			
0491	D6789049	CAPACITOR-POLY (M13)			
0491	D6879844	CAPACITOR-ROUND (M2, M3, M4, M7, M11)			
0501	C6300502	STRAP-CAPACITOR CO			
0531	11046201	FILTER-VENT			
0541	11046102	DOOR-VENT			
0551	11044902	SEAL-L SIDE			
0561	11044901	SEAL-R SIDE			
0571	11191702	BRKT-PART PAN (QTY 2)			
0631	10839807	GASKET-CROSS LINK (QTY AR)			
0641	10839705	GASKET-URETHANE (QTY AR)			
0731	11122901	INSUL-LEFT			
0741	11123001	INSUL-RIGHT			
0761	10839810	GASKET-CROSS LINK (QTY AR)			
0851	11135801	BRKT-R FAN (M1, M2, M3, M4, M5, M6, M7, M8)			
0861	11145801	BRKT-L FAN (M1, M2, M3, M4, M5, M6, M7, M8)			
0871	11149201	FAN-MUFFIN (M1, M2, M3, M4, M5, M6, M7, M8)			
0881	M0272802	WASHER-LOCK (M1, M2, M3, M4, M5, M6, M7, M8) (QTY 2)			
0891	M0211011	SCREW-SM (M1, M2, M3, M4, M5, M6, M7, M8) (QTY 3)			
0901	11166301	BRKT-POWER VENT			
0911	M0370005	RELIEF-STRAIN (M1, M2, M3, M4, M5, M6, M7, M8)			
0921	11166101	BRKT-MOTOR			
0931	11172801	MOTOR			
0941	11166201	COVER-BRKT			
0951	A4539606	RIVET-POP (QTY 2)			
0981	11166401	SPRING-EXTENSION			
1051	11167602	COVER-ACCESS			
1081	A4554801	BUSHING-SNAP			
1091	M0216529	SCREW-SM (QTY AR)			
1221	B1160701	BOARD-TERM			
1241	10839814	GASKET-FOAM (QTY AR)			
1291	M0270543	WASHER-FLAT			

# Compressor/Tubing

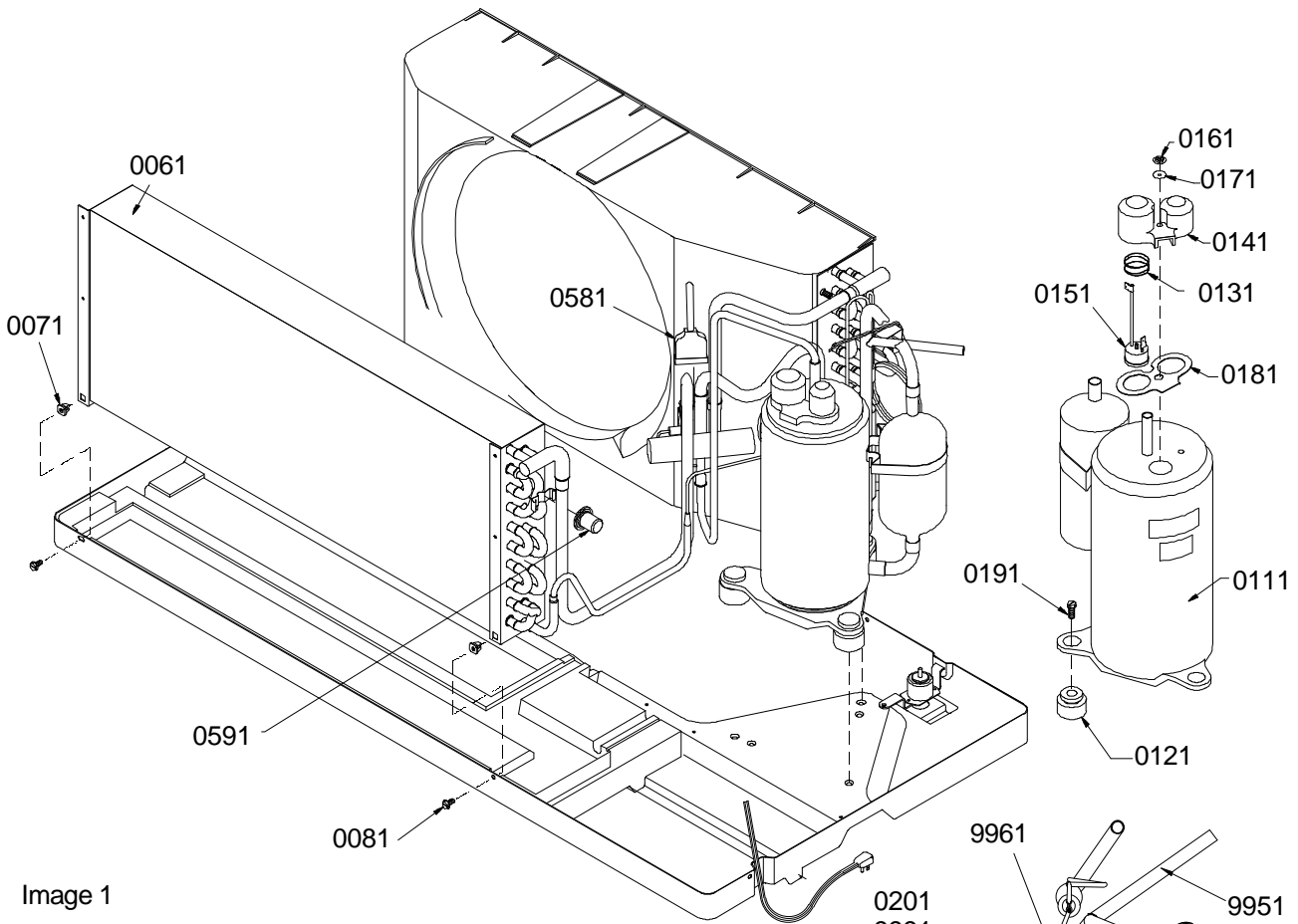


Image 1

Image 2

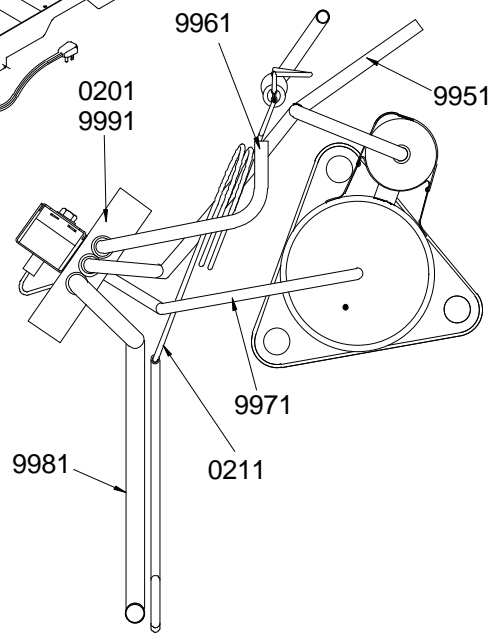
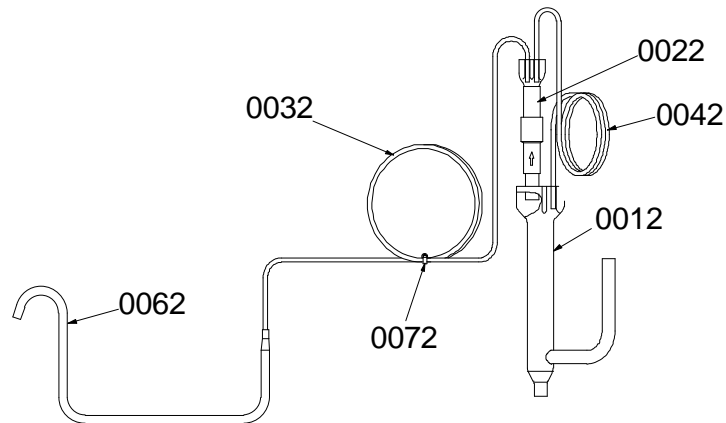
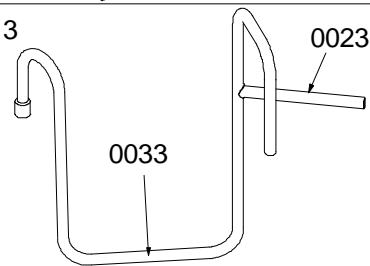


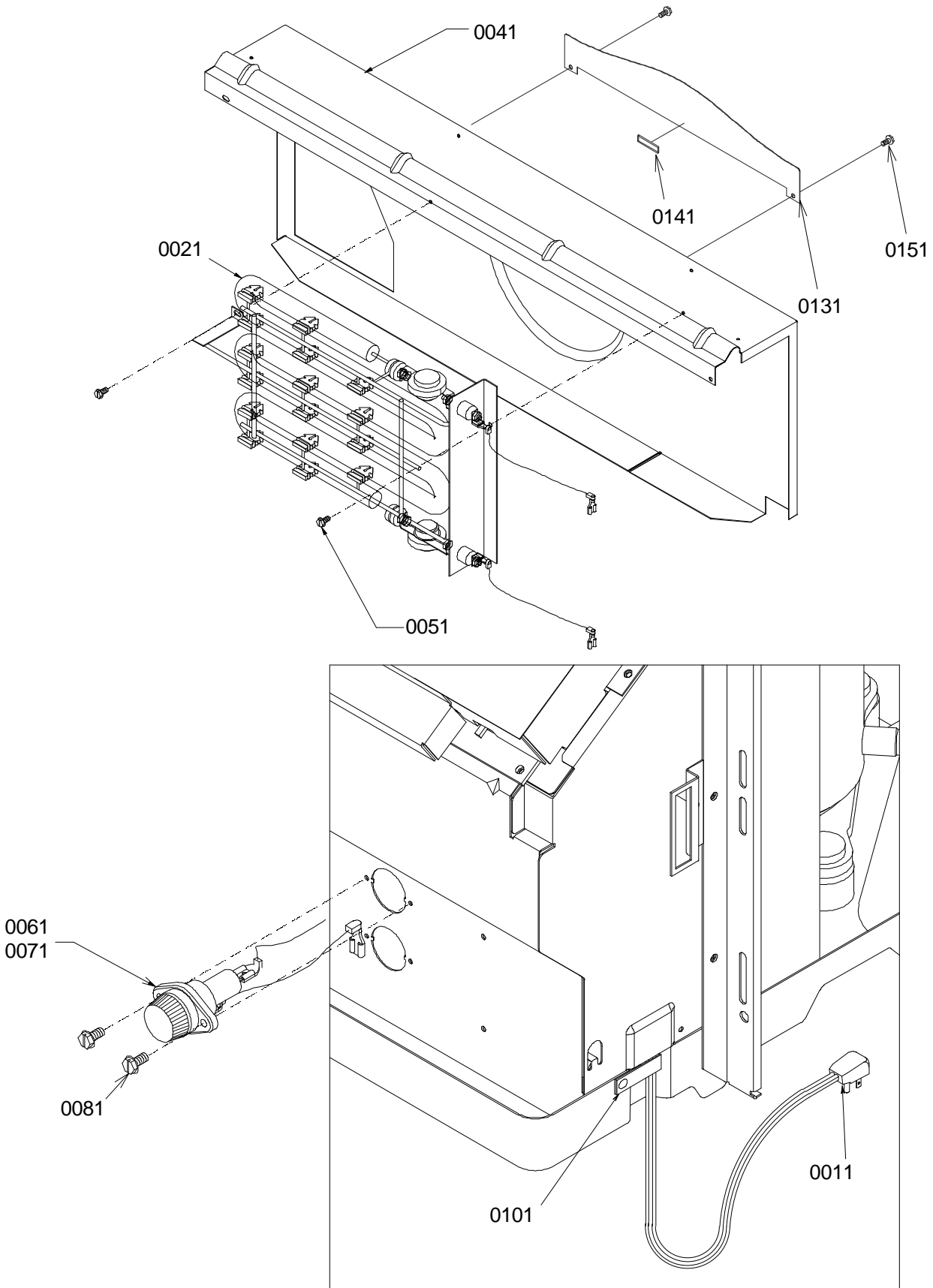
Image 3



# Compressor/Tubing

Ref. No:	Part No:	Description:	Ref. No:	Part No:	Description:
<i>Image 1</i>			9991	10702002	REV VALVE ASSY (M1, M5, M6, M8, M9, M10, M12, M13, M14, M15)
0000	M0211345	SCREW-SM (QTY AR)	9991	10702003	REV VALVE ASSY (M2, M3, M4, M7, M11)
0061	11165603	EVAP ASSY (M5, M8, M10, M12, M13, M15)	<i>Image 2</i>		
0061	11165703	EVAP ASSY (M1, M2, M4, M6, M7, M9, M11, M14)	0012	B1257808	STRAINER
0061	11165803	EVAP ASSY (M3)	0022	C6469901	VALVE-CHECK
0071	A3315701	GROMMET (QTY 4)	0032	20208502	TUBE-CAPILLARY (M1, M2, M4, M6, M7, M9, M11, M14)
0081	M0211216	SCREW-SM (QTY AR)	0032	20208503	TUBE-CAPILLARY (M3)
0111	D6887710	COMPRESSOR (M3)	0032	20215001	TUBE-CAPILLARY (M5, M8, M10, M12, M15)
0111	D6887711	COMPRESSOR (M1, M6, M9, M14)	0032	20215002	TUBE-CAPILLARY (M13)
0111	D6887712	COMPRESSOR (M2, M4, M7, M11)	0042	11194701	TUBE-CAPILLARY (M1, M2, M4, M6, M7, M9, M11, M14)
0111	D6926116	COMPRESSOR (M13)	0042	11195001	TUBE-CAPILLARY (M5, M8, M10, M12, M15)
0111	D6985807	COMPRESSOR (M5, M8, M10, M12, M15)	0042	11195002	TUBE-CAPILLARY (M3)
0121	A3448601	GROMMET (M5, M8, M10, M12, M13, M15) (QTY 3)	0042	11195101	TUBE-CAPILLARY (M13)
0121	A4622801	GROMMET (M1, M2, M3, M4, M6, M7, M9, M11, M14) (QTY 3)	0062	11177502	ELBOW
0131	A3436901	SPRING-OVERLOAD	0072	M0322801	TIE-ELEC
0141	10329001	COVER-TERM	<i>Image 3</i>		
0151	D6961607	OVERLOAD (M13)	0023	A4528920	TUBE-PROCESS (M1, M2, M3, M4, M6, M7, M9, M11, M14)
0151	D6961612	OVERLOAD (M5, M8, M10, M12, M15)	0023	A4528927	TUBE-PROCESS (M5, M8, M10, M12, M13, M15)
0151	D6961637	OVERLOAD (M3)	0033	20042001	TUBE-SUCTION (M3)
0151	D6961639	OVERLOAD (M1, M6, M9, M14)	0033	20042201	TUBE-SUCTION (M1, M2, M4, M6, M7, M9, M11, M14)
0151	D6961642	OVERLOAD (M2, M4, M7, M11)	0033	20210801	TUBE-SUCTION (M5, M8, M10, M12, M13, M15)
0161	A3436601	NUT-TERM COVER	<b>Expanded Model and Color Nomenclature</b>		
0171	A3436801	GASKET-NUT	M1 - PTH093A35BA	P1216310R	
0181	A3436701	GASKET-TERM COVER	M2 - PTH094A35BA	P1216314R	
0191	M0253610	SCREW-SHLDR (M5, M8, M10, M12, M13, M15) (QTY 3)	M3 - PTH074A25BA	P1216319R	
0191	M0253661	SCREW-SHLDR (M1, M2, M3, M4, M6, M7, M9, M11, M14) (QTY 3)	M4 - PTH094A25BA	P1216320R	
0201	11125004	REV VALVE WELD (M3)	M5 - PTH123A50BA	P1216322R	
0201	11180203	REV VALVE WELD (M1, M6, M9, M14)	M6 - PTH093A35KA	P1216502R	
0201	11180204	REV VALVE WELD (M2, M4, M7, M11)	M7 - PTH094A35KA	P1216506R	
0201	20210901	REV VALVE WELD (M13)	M8 - PTH123A50KA	P1216510R	
0201	20210903	REV VALVE WELD (M5, M8, M10, M12, M15)	M9 - PTH093A35JA	P1217810R	
0211	11194602	CAPILLARY WELD (M1, M2, M4, M6, M7, M9, M11, M14)	M10 - PTH123A35JA	P1217811R	
0211	11194802	CAPILLARY WELD (M13)	M11 - PTH094A35JA	P1217814R	
0211	11195202	CAPILLARY WELD (M3)	M12 - PTH123A50JA	P1217820R	
0211	11195303	CAPILLARY WELD (M5, M8, M10, M12, M15)	M13 - PTH153A50JA	P1217821R	
0581	10685008	HARNESS-COIL	M14 - PTH093A35LA	P1218002R	
0591	11046702	DISC-THERMOSTAT	M15 - PTH123A50LA	P1218010R	
9951	11192702	SUCTION TUBE WELD (M5, M8, M10, M12, M13, M15)			
9951	20042101	SUCTION TUBE WELD (M3)			
9951	20042301	SUCTION TUBE WELD (M1, M2, M4, M6, M7, M9, M11, M14)			
9961	11117101	TUBE-CONDENSER (M5, M8, M10, M12, M13, M15)			
9961	11145001	TUBE-CONDENSER (M3)			
9961	11180001	TUBE-CONDENSER (M1, M2, M4, M6, M7, M9, M11, M14)			
9971	11192201	TUBE-DISCH (M1, M2, M3, M4, M6, M7, M9, M11, M14)			
9971	11116901	TUBE-DISCHARGE (M5, M8, M10, M12, M15)			
9971	11177901	TUBE-DISCHARGE (M13)			
9981	11117001	TUBE-EVAPORATOR (M1, M2, M4, M5, M6, M7, M8, M9, M10, M11, M12, M13, M14, M15)			
9981	11117002	TUBE-EVAPORATOR (M3)			

# Heater



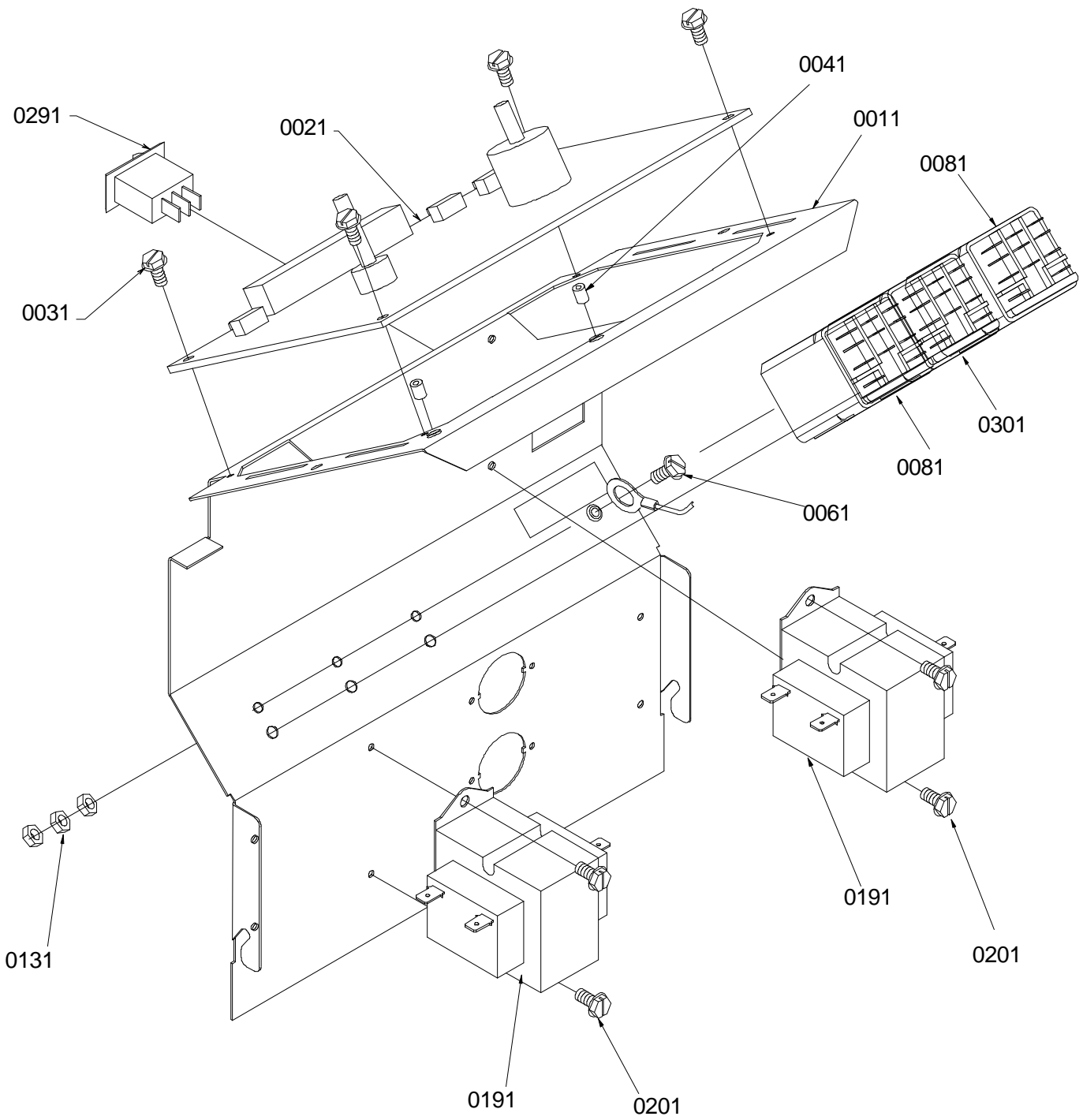
# Heater

Ref. No:	Part No:	Description:	Ref. No:	Part No:	Description:
<i>Image 1</i>					
0011	11114501	CORD-250V 20A (M1, M6, M9, M10, M14)			
0011	11114601	CORD-250V 30A (M5, M8, M12, M13, M15)			
0011	11114701	CORD-277V-20A (M2, M3, M4, M7, M11)			
0021	11116203	HTR 3 3.5KW ASSY (M1, M6, M9, M10, M14)			
0021	11177801	HTR 3 5.0 KW ASSY (M5, M8, M12, M15)			
0021	11116205	HTR 3 5.0KW ASSY (M13)			
0021	11116207	HTR 4 2.5KW ASSY (M3, M4)			
0021	11116208	HTR 4 3.7 KW ASSY (M2, M7, M11)			
0041	11044304	BLOWER INTAKE-PNT			
0051	M0216716	SCREW-SM (QTY 2)			
0061	C6476002	HOLDER-BAYONET FUSE (M2, M3, M4, M7, M11)			
0071	A3410402	FUSE-15A (M3, M4)			
0071	A3410403	FUSE-20A (M2, M7, M11)			
0081	M0213817	SCREW-SM (M2, M3, M4, M7, M11) (QTY 2)			
0101	M0103906	CLAMP-SPEED			
0131	11043902	BLOW INTK EXT-PNT			
0141	10839722	GASKET-URETHANE			
0151	M0216716	SCREW-SM (QTY 2)			

## Expanded Model and Color Nomenclature

M1 - PTH093A35BA	P1216310R
M2 - PTH094A35BA	P1216314R
M3 - PTH074A25BA	P1216319R
M4 - PTH094A25BA	P1216320R
M5 - PTH123A50BA	P1216322R
M6 - PTH093A35KA	P1216502R
M7 - PTH094A35KA	P1216506R
M8 - PTH123A50KA	P1216510R
M9 - PTH093A35JA	P1217810R
M10 - PTH123A35JA	P1217811R
M11 - PTH094A35JA	P1217814R
M12 - PTH123A50JA	P1217820R
M13 - PTH153A50JA	P1217821R
M14 - PTH093A35LA	P1218002R
M15 - PTH123A50LA	P1218010R

# Control Panel



# Control Panel

Ref. No:	Part No:	Description:	Ref. No:	Part No:	Description:
<i>Image 1</i>					
0011	11044501	PANEL-CONTROL			
0021	11043301	PC BOARD			
0031	M0216529	SCREW-SM (QTY AR)			
0041	M0590702	SUPPORT (QTY 2)			
0061	M0227803	SCREW-TC			
0081	C8873917	RELAY (M5, M6, M7, M8, M12, M14, M15)			
0131	M0282005	NUT-KEPS (QTY AR)			
0191	11172101	XFMR (M2, M3, M4, M7, M11)			
0191	B1378501	XFMR (M1, M5, M6, M8, M9, M10, M12, M13, M14, M15)			
0201	M0216716	SCREW-SM (QTY AR)			
0291	B1337701	SWITCH-PADDLE			
0301	C8873932	RELAY			

## Expanded Model and Color Nomenclature

M1 - PTH093A35BA	P1216310R
M2 - PTH094A35BA	P1216314R
M3 - PTH074A25BA	P1216319R
M4 - PTH094A25BA	P1216320R
M5 - PTH123A50BA	P1216322R
M6 - PTH093A35KA	P1216502R
M7 - PTH094A35KA	P1216506R
M8 - PTH123A50KA	P1216510R
M9 - PTH093A35JA	P1217810R
M10 - PTH123A35JA	P1217811R
M11 - PTH094A35JA	P1217814R
M12 - PTH123A50JA	P1217820R
M13 - PTH153A50JA	P1217821R
M14 - PTH093A35LA	P1218002R
M15 - PTH123A50LA	P1218010R