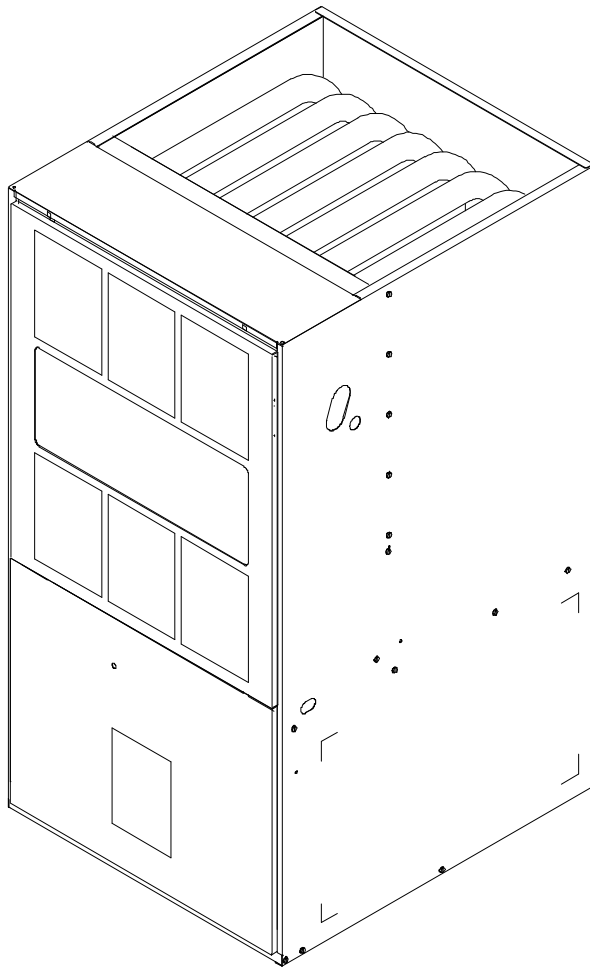


Models and manufacturing
numbers in this manual

GCD070X30B P1217602F
GCD090X40B P1217604F

Parts

GCD Gas Furnace



This manual is to be used by qualified appliance technicians only. Amana does not assume any responsibility for property damage or personal injury for improper service procedures done by an unqualified person.

Amana

RP6610015
Revision 0
February 1998

Important Information

Amana is not responsible for personal injury or property damage resulting from improper service. Review all service information before beginning repairs.

Warranty service must be performed by an authorized technician, using authorized factory parts. If service is required after the warranty expires, Amana also recommends contacting an authorized technician and using authorized factory parts. Locate an authorized technician by calling 800-NATLSVC (800-628-5782).

For assistance within the U.S.A. contact:

Consumer Affairs Department
Amana
2800 220th Trail
PO Box 8901
Amana IA 52204-0001
319-622-5511--Telephone
319-622-2977--Facsimile

For assistance outside the U.S.A. contact:

International Division
Amana
2800 220th Trail
PO Box 8901
Amana IA 52204-0001
USA
319-622-5511--Telephone
319-622-8595--Facsimile

Index

| | |
|------------------------------|--------|
| Functional Parts List | 5 |
| Illustration and Parts | 6 - 19 |

Views shown are for parts illustrations only, not servicing procedures.

Text Codes:

AR - As Required

0000 - Not Shown

QTY - Quantity Example (QTY 3) (If Quantity not shown, Quantity = 1)

M - Model Example (M1) (If M Code not shown, then part is used on all Models)

Expanded Model and Color Nomenclature:

Example

M1 - Model#1 P _____

M2 - Model#2 P _____

M3 - Model#3 P _____

Functional Parts

Part

No: Description:

| | |
|----------|-------------------------|
| 10735102 | BECKETT BURNER (QTY AR) |
| D9868607 | BLOWER-ID |
| 10099901 | CAPACITOR (M1) |
| D6859325 | CAPACITOR (M2) |
| 10207710 | CONTROL-INTEG |
| 10735201 | FLAME-SENSOR |
| 11135307 | HARNESS-WIRING |
| 10735002 | IGNITOR |
| 10250807 | LIMIT (M2) |
| 10250802 | LIMIT (M1) |
| 10123509 | LIMIT-RESET MAN |
| 20046601 | MOTOR BLOW 1/3 HP (M1) |
| 10219708 | MOTOR-BLOWER 1/2 (M2) |
| 10716003 | ORIFICE (QTY AR) |
| 10195508 | STNDPIPE BAG ASSY |
| B9276201 | SWITCH-INTERLOCK |
| 20030201 | SWITCH-PRESSURE (M2) |
| 20030204 | SWITCH-PRESSURE (M1) |
| C6349701 | TRANSFORMER |
| C6476908 | VALVE-GAS |

SPECIAL PARTS

| | |
|----------|-------------------------|
| C4855625 | FILTER-AIR (M2) (QTY 2) |
| 10373002 | FILTER-AIR (M1) (QTY 2) |
| 10318726 | INSTRUCT-INSTALL |
| 10318817 | MANUAL-USERS |
| 10368501 | RAIL-FILTER |

Expanded Model and Color Nomenclature

| | |
|-----------------|-----------|
| M1 - GCD070X30B | P1217602F |
| M2 - GCD090X40B | P1217604F |

Front Panels

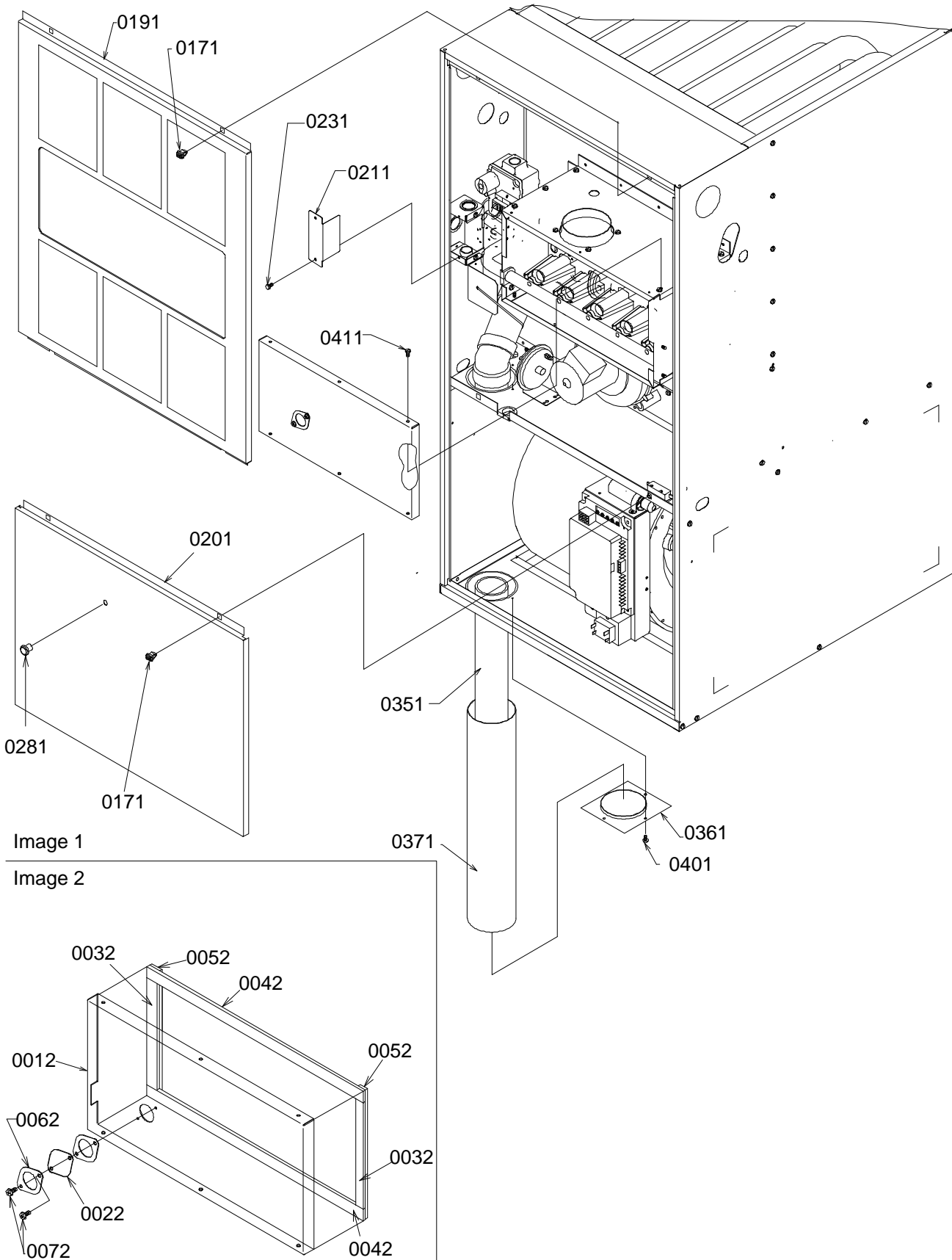


Image 1

Image 2

Front Panels

| Ref. Part No: | Part No: | Description: | Ref. Part No: | Part No: | Description: |
|---------------|----------|--------------|---------------|----------|--------------|
|---------------|----------|--------------|---------------|----------|--------------|

Image 1

| | | |
|------|----------|------------------------|
| 0000 | M0216531 | SCREW-SM |
| 0171 | B1388803 | LATCH-1/4 TURN (QTY 4) |
| 0191 | D6988009 | ACCESS DOOR-PNT (M1) |
| 0191 | D6988010 | ACCESS DOOR-PNT (M2) |
| 0201 | D6979616 | BLOWER DOOR-PNT (M1) |
| 0201 | D6979618 | BLOWER DOOR-PNT (M2) |
| 0211 | 10736201 | COVER-HV BOX |
| 0231 | M0216529 | SCREW-SM (QTY 2) |
| 0281 | 11104001 | SNAP-BUSHING CLR |
| 0351 | 20159501 | PIPE-PVC STRAIGHT |
| 0361 | C6424004 | VENT TUBE BKT-PNT |
| 0371 | 11022001 | TUBE-VENT |
| 0401 | M0216716 | SCREW-SM (QTY 3) |
| 0411 | M0211016 | SCREW-SM (QTY 4) |

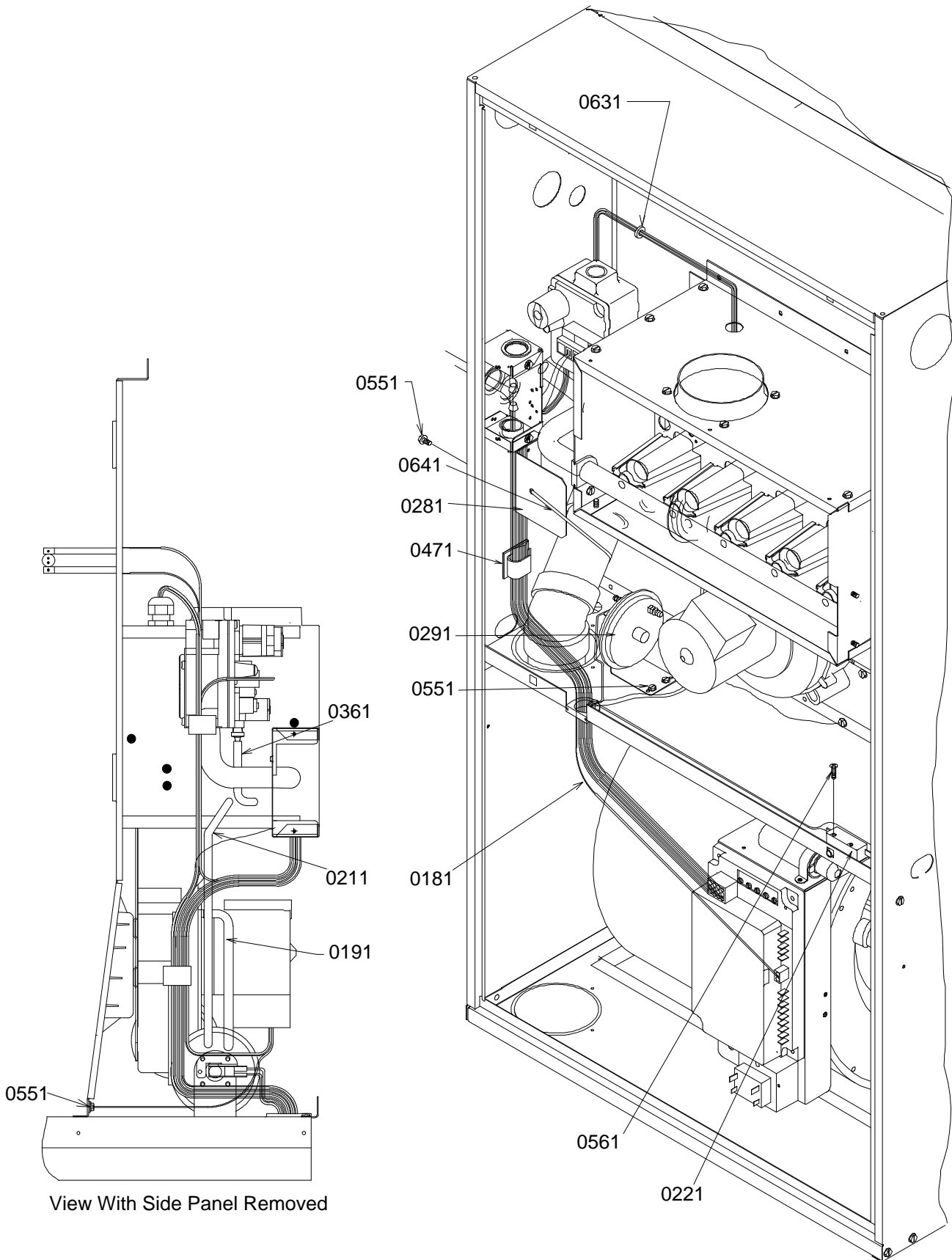
Image 2

| | | |
|------|----------|-------------------------------|
| 0012 | 10236502 | COVER-FRONT (M2) |
| 0012 | 10236503 | COVER-FRONT (M1) |
| 0022 | 10250701 | WINDOW |
| 0032 | B1425108 | GASKET-HT SHIELD (QTY 2) |
| 0042 | B1425101 | GASKET-HT SHIELD (M2) |
| 0042 | B1425104 | GASKET-HT SHIELD (M1) (QTY 2) |
| 0052 | B1425109 | GASKET-HT SHIELD (QTY 2) |
| 0062 | 10236701 | FRAME-WINDOW |
| 0072 | M0216529 | SCREW-SM (QTY 2) |

Expanded Model and Color Nomenclature

| | |
|-----------------|-----------|
| M1 - GCD070X30B | P1217602F |
| M2 - GCD090X40B | P1217604F |

Wiring



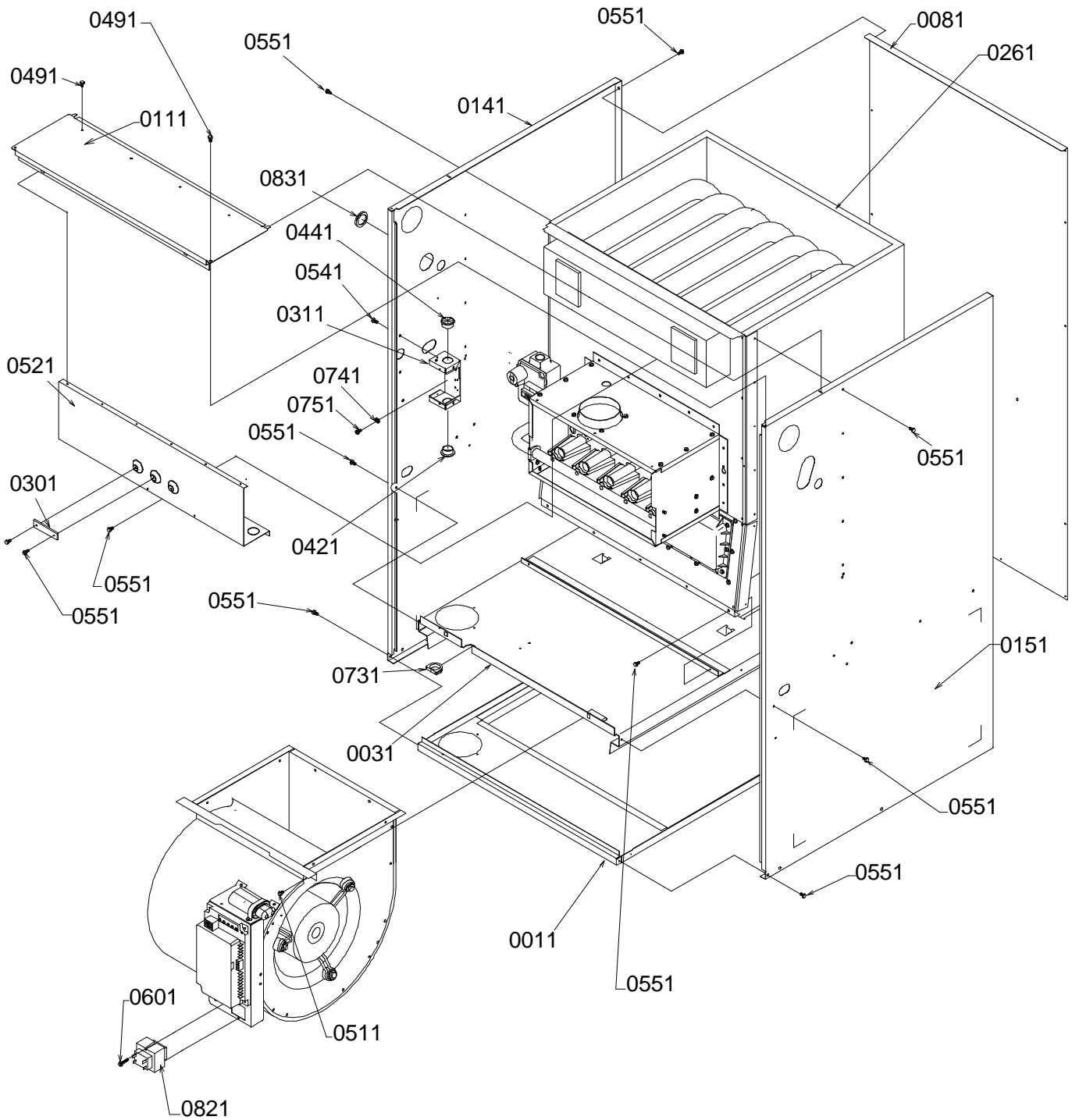
Wiring

| Ref. No: | Part No: | Description: | Ref. No: | Part No: | Description: |
|----------------|----------|----------------------|----------|----------|--------------|
| <i>Image 1</i> | | | | | |
| 0181 | 11135307 | HARNES-WIRING | | | |
| 0191 | B1410306 | HOSE-PRESSURE SW | | | |
| 0211 | B1410302 | HOSE-PRESSURE SW | | | |
| 0221 | B9276201 | SWITCH-INTERLOCK | | | |
| 0281 | 10314001 | BRKT-ELBOW | | | |
| 0291 | 20030201 | SWITCH-PRESSURE (M2) | | | |
| 0291 | 20030204 | SWITCH-PRESSURE (M1) | | | |
| 0361 | B1410306 | HOSE-PRESSURE SW | | | |
| 0471 | M0104102 | CLIP-CORD | | | |
| 0551 | M0219916 | SCREW-SM (QTY AR) | | | |
| 0561 | M0227525 | SCREW-TC (QTY 2) | | | |
| 0631 | M0321202 | TIE-ELEC (QTY 5) | | | |
| 0641 | M0321208 | TIE-ELEC | | | |

Expanded Model and Color Nomenclature

| | |
|-----------------|-----------|
| M1 - GCD070X30B | P1217602F |
| M2 - GCD090X40B | P1217604F |

Outer Cabinet



Outer Cabinet

| Ref. No: | Part No: | Description: | Ref. No: | Part No: | Description: |
|----------------|----------|-----------------------|----------|----------|--------------|
| <i>Image 1</i> | | | | | |
| 0000 | M0219918 | SCREW-SM (QTY AR) | | | |
| 0011 | D9902316 | BASEPAN WELD-PNT (M1) | | | |
| 0011 | D9902318 | BASEPAN WELD-PNT (M2) | | | |
| 0031 | 10309217 | BLOWER DECK WELD (M1) | | | |
| 0031 | 10309219 | BLOWER DECK WELD (M2) | | | |
| 0081 | D9965810 | BACK PANEL-PNT (M1) | | | |
| 0081 | D9965812 | BACK PANEL-PNT (M2) | | | |
| 0111 | D6995122 | TOP COVER-PNT (M1) | | | |
| 0111 | D6995124 | TOP COVER-PNT (M2) | | | |
| 0141 | 10452012 | L-SIDE PANEL-PNT | | | |
| 0151 | 10452412 | R-SIDE PANEL-PNT | | | |
| 0261 | C6415905 | INSUL-HT EX (M1) | | | |
| 0261 | C6415906 | INSUL-HT EX (M2) | | | |
| 0301 | 10261901 | STRIP-SUPPORT | | | |
| 0311 | 10736102 | BOX-HIGH VOLTAGE | | | |
| 0421 | A4554801 | BUSHING-SNAP | | | |
| 0441 | M0571002 | BUSHING-SNAP | | | |
| 0491 | M0211530 | SCREW-SM (QTY AR) | | | |
| 0511 | M0211018 | SCREW-SM (QTY 2) | | | |
| 0521 | 10261802 | SHIELD-AIR PIPE (M1) | | | |
| 0521 | 10261803 | SHIELD-AIR PIPE (M2) | | | |
| 0541 | M0216716 | SCREW-SM (QTY AR) | | | |
| 0551 | M0219916 | SCREW-SM (QTY AR) | | | |
| 0601 | M0216536 | SCREW-SM (QTY 2) | | | |
| 0731 | A4568804 | GROMMET-D | | | |
| 0741 | M0270001 | WASHER-CUP | | | |
| 0751 | M0227803 | SCREW-TC | | | |
| 0821 | C6349701 | TRANSFORMER | | | |
| 0831 | A4603801 | GROMMET | | | |

Expanded Model and Color Nomenclature

| | |
|-----------------|-----------|
| M1 - GCD070X30B | P1217602F |
| M2 - GCD090X40B | P1217604F |

Partition Tube/Collector Box/Manifold

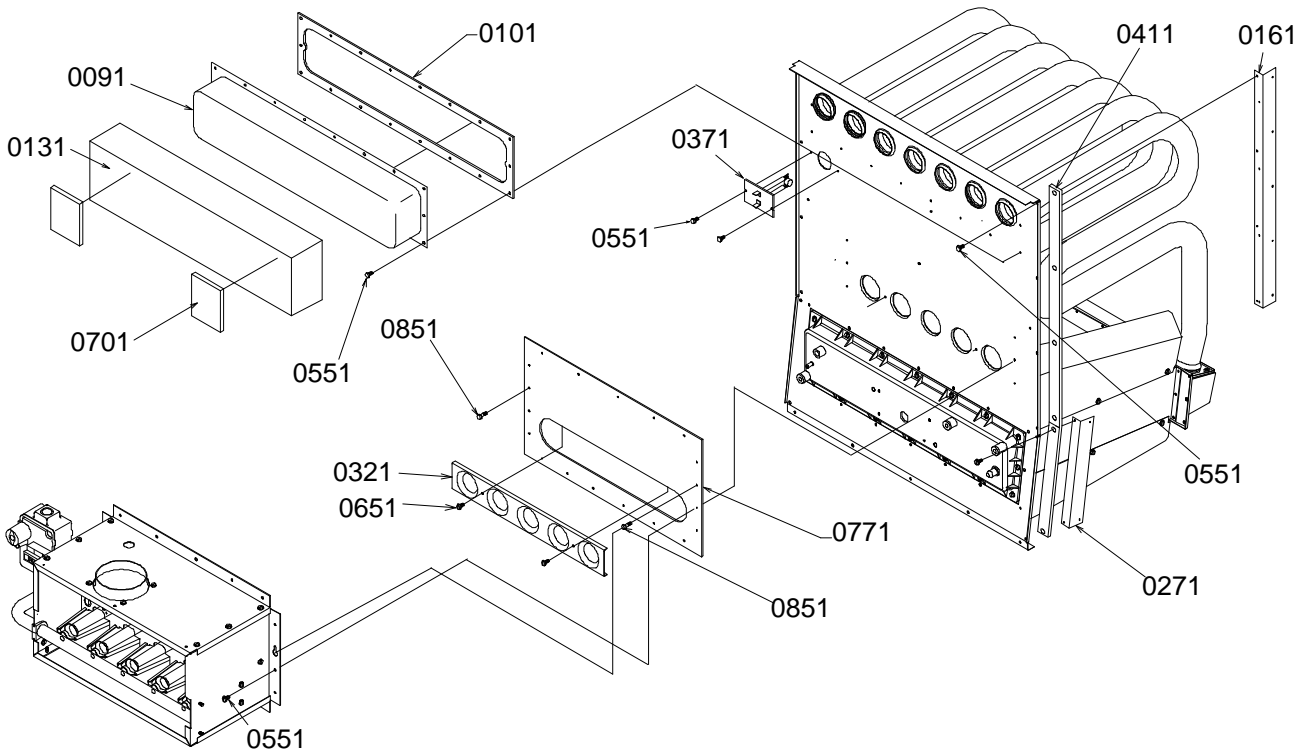
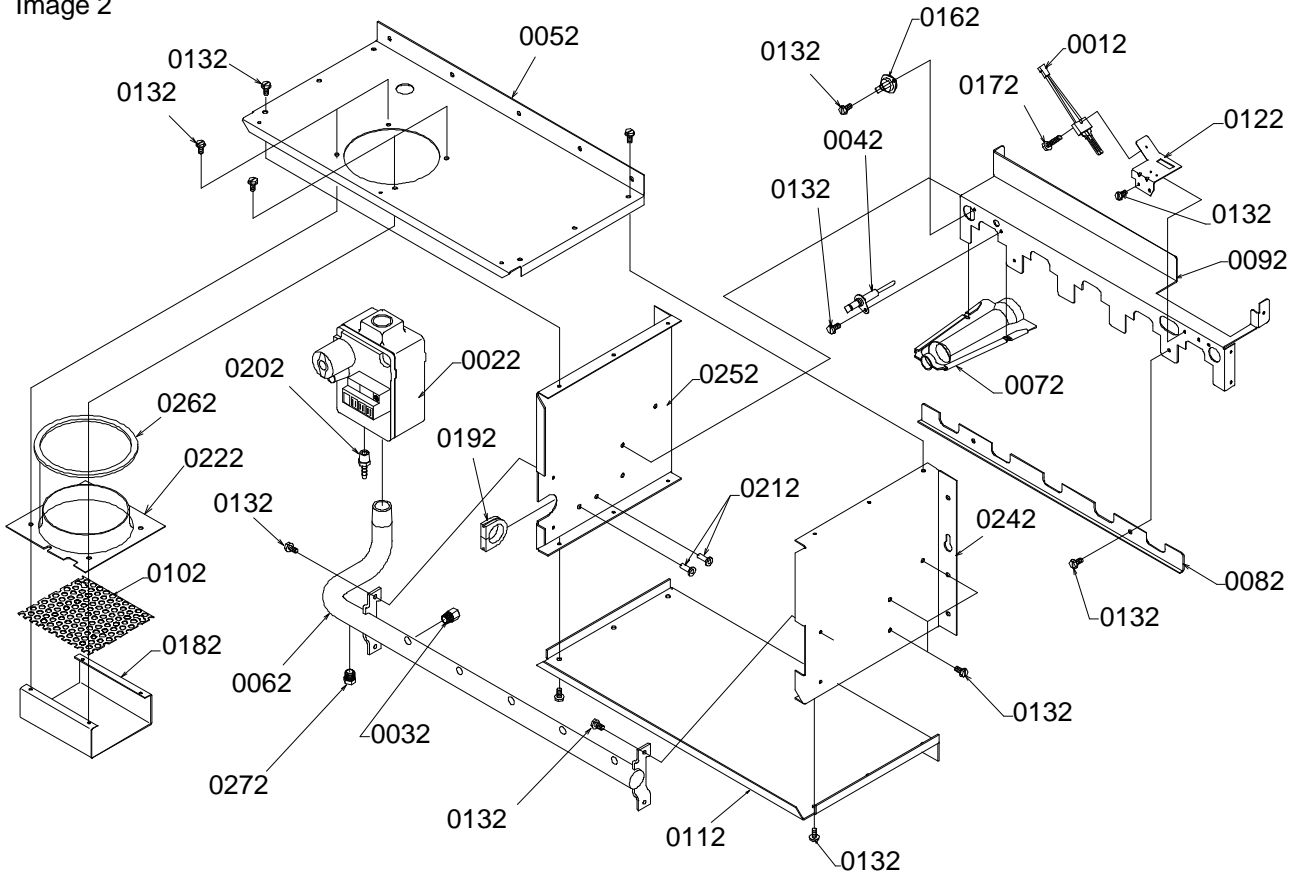


Image 1

Image 2



Partition Tube/Collector Box/Manifold

| Ref. No: | Part No: | Description: | Ref. No: | Part No: | Description: |
|----------|----------|--------------|----------|----------|--------------|
|----------|----------|--------------|----------|----------|--------------|

Image 1

| | | |
|------|----------|---------------------------|
| 0052 | 10237018 | TOP-FA BOX (M1) |
| 0091 | D9981001 | BOX-COLLECTOR (M1) |
| 0091 | D9981101 | BOX-COLLECTOR (M2) |
| 0101 | D9983001 | GASKET-COLL BOX (M1) |
| 0101 | D9983002 | GASKET-COLL BOX (M2) |
| 0131 | D9987601 | INSUL-COLL BOX (M1) |
| 0131 | D9987602 | INSUL-COLL BOX (M2) |
| 0161 | D9992403 | ANGLE-SUPPORT (QTY 2) |
| 0271 | C6449901 | ANGLE-SUPPORT (QTY 2) |
| 0321 | 11072202 | SHIELD-ORIFICE (M1) |
| 0321 | 11072203 | SHIELD-ORIFICE (M2) |
| 0371 | 10250802 | LIMIT (M1) |
| 0371 | 10250807 | LIMIT (M2) |
| 0411 | 11066201 | GASKET-PART PANEL (QTY 2) |
| 0551 | M0219916 | SCREW-SM (QTY AR) |
| 0651 | M0211020 | SCREW-SM (QTY 2) |
| 0701 | C6430402 | INSULATION (QTY 2) |
| 0771 | 10250602 | GASKET-FA BOX (M1) |
| 0771 | 10250603 | GASKET-FA BOX (M2) |
| 0851 | M0220757 | SCREW-SHLDR (QTY 2) |

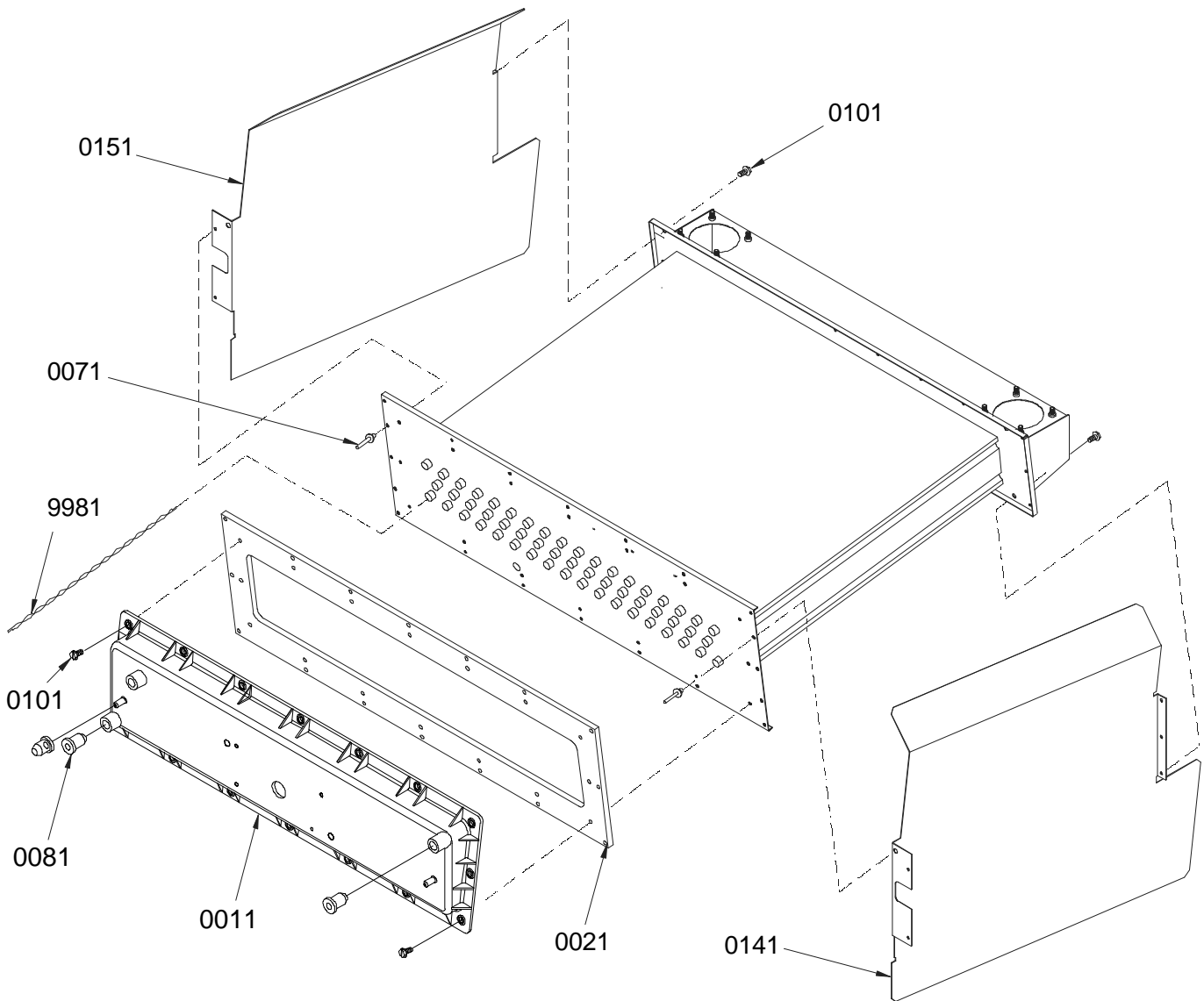
Image 2

| | | |
|------|----------|-------------------------|
| 0012 | 10735002 | IGNITOR |
| 0022 | C6476908 | VALVE-GAS |
| 0032 | 10716003 | ORIFICE (QTY AR) |
| 0042 | 10735201 | FLAME-SENSOR |
| 0052 | 10237019 | TOP-FA BOX (M2) |
| 0062 | 10249702 | MANIFOLD (M2) |
| 0062 | 10249703 | MANIFOLD (M1) |
| 0072 | 10735102 | BECKETT BURNER (QTY AR) |
| 0082 | 10734702 | BRKT-LOCK BURNER (M1) |
| 0082 | 10734703 | BRKT-LOCK BURNER (M2) |
| 0092 | 11008102 | BRKT-BURNER (M1) |
| 0092 | 11008103 | BRKT-BURNER (M2) |
| 0102 | 10249501 | BAFFLE-FLUE |
| 0112 | 10237014 | BOTTOM-FA BOX (M2) |
| 0112 | 10237015 | BOTTOM-FA BOX (M1) |
| 0122 | 11008703 | BRKT-SENSOR |
| 0132 | M0216529 | SCREW-SM (QTY AR) |
| 0162 | 10123509 | LIMIT-RESET MAN |
| 0172 | M0216519 | SCREW-SM |
| 0182 | 10238702 | BAFFLE-FA PIPE |
| 0192 | A4568803 | GROMMET-D |
| 0202 | 10218701 | HOSE-BARB |
| 0212 | A4539628 | RIVET-POP (QTY 2) |
| 0222 | 10238801 | EXTRUSION-FA PIPE |
| 0242 | 10237502 | SIDE-R FA BOX |
| 0252 | 10238602 | SIDE-L FA BOX |
| 0262 | 10249601 | GASKET-FA EXTRSN |
| 0272 | M0750101 | PLUG-PIPE |

Expanded Model and Color Nomenclature

| | |
|-----------------|-----------|
| M1 - GCD070X30B | P1217602F |
| M2 - GCD090X40B | P1217604F |

Recupe Coil



Recupe Coil

| Ref. No: | Part No: | Description: | Ref. No: | Part No: | Description: |
|----------|----------|--------------|----------|----------|--------------|
|----------|----------|--------------|----------|----------|--------------|

Image 1

| | | |
|------|----------|----------------------|
| 0011 | 10197103 | COVER-FR RECUPE (M1) |
| 0011 | 10197201 | COVER-FR RECUPE (M2) |
| 0021 | D9875102 | GASKET-FR COV (M1) |
| 0021 | D9875103 | GASKET-FR COV (M2) |
| 0071 | A4539606 | RIVET-POP (QTY 4) |
| 0081 | M0326804 | PLUG-TUBE |
| 0101 | M0211031 | SCREW-SM (QTY AR) |
| 0141 | 20011501 | SHIELD-COIL |
| 0151 | 20011502 | SHIELD-COIL |
| 9981 | 11086002 | TURBULATOR (QTY AR) |

Expanded Model and Color Nomenclature

| | |
|-----------------|-----------|
| M1 - GCD070X30B | P1217602F |
| M2 - GCD090X40B | P1217604F |

Blower Pipe

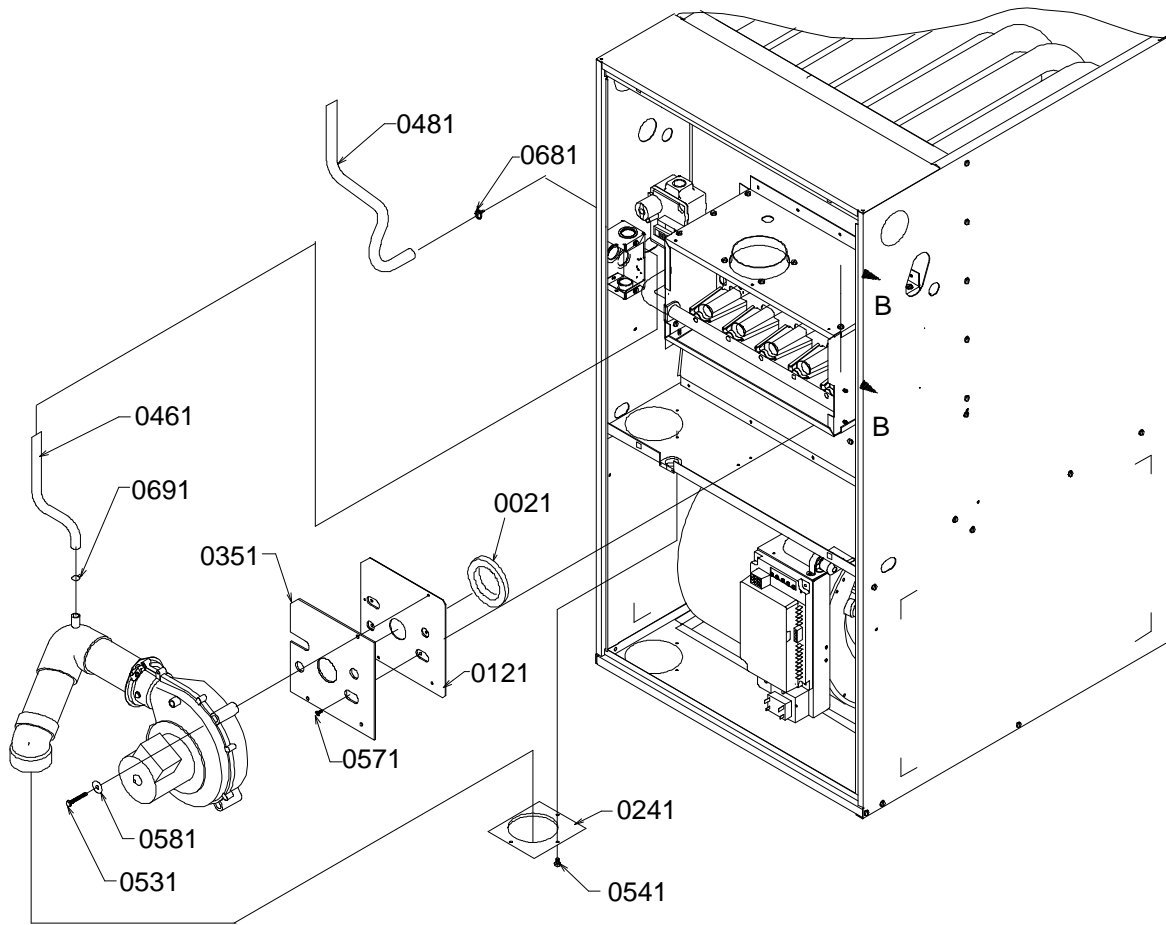
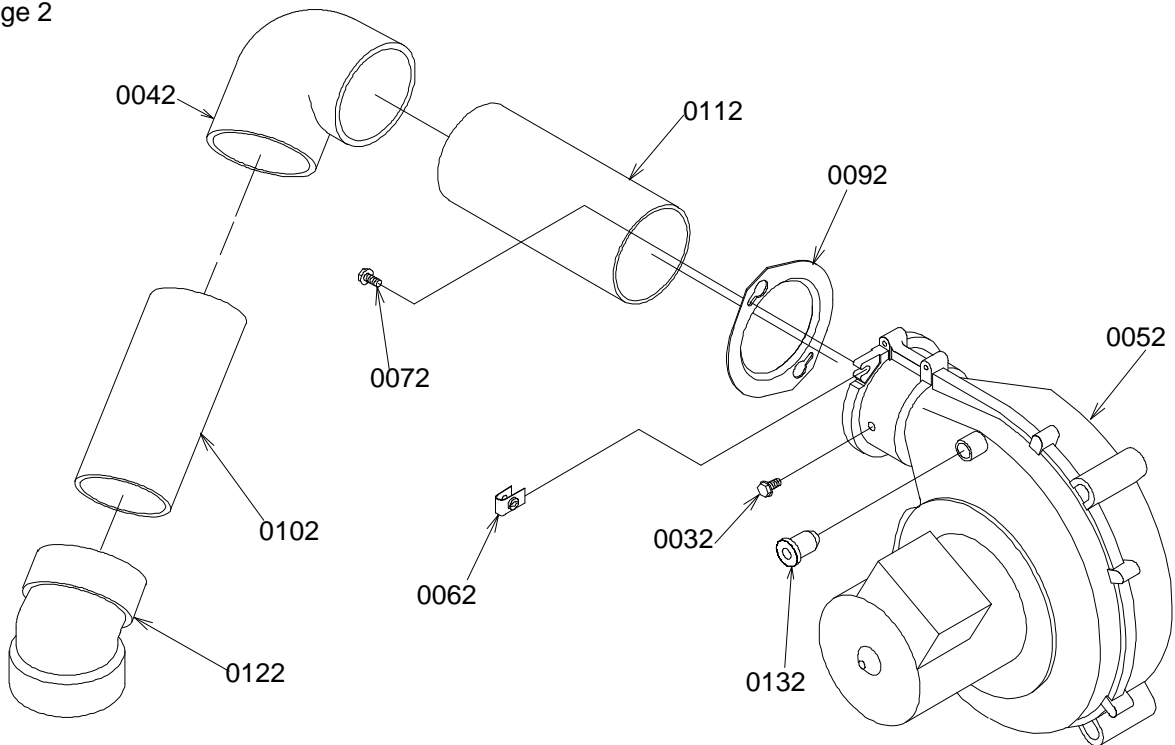


Image 1

Image 2



Blower Pipe

| Ref. No: | Part No: | Description: | Ref. No: | Part No: | Description: |
|----------|----------|--------------|----------|----------|--------------|
|----------|----------|--------------|----------|----------|--------------|

Image 1

| | | |
|------|----------|----------------------------|
| 0000 | A3326006 | CLAMP-HOSE (QTY 2) |
| 0000 | M0102318 | CLAMP-TUBE |
| 0000 | 10254302 | COUPLING-RUBBER |
| 0000 | 20158401 | STANDPIPE ASSY |
| 0021 | D9875102 | GASKET-FR COV, PART B (M1) |
| 0021 | D9875103 | GASKET-FR COV, PART B (M2) |
| 0121 | D9986603 | PLATE-BLOWER |
| 0241 | C6424002 | BRKT-VENT TUBE |
| 0351 | D9855802 | GASKET-BLOW PLT |
| 0461 | C6458101 | HOSE-DRAIN |
| 0481 | 10241101 | HOSE-DRAIN |
| 0531 | M0218151 | SCREW-SM (QTY 4) |
| 0541 | M0216716 | SCREW-SM (QTY 3) |
| 0571 | M0228032 | SCREW-TC (QTY 4) |
| 0581 | M0270528 | WASHER-FLAT (QTY 4) |
| 0681 | M0119206 | CLAMP-HOSE |
| 0691 | M0117603 | CLAMP-HOSE |

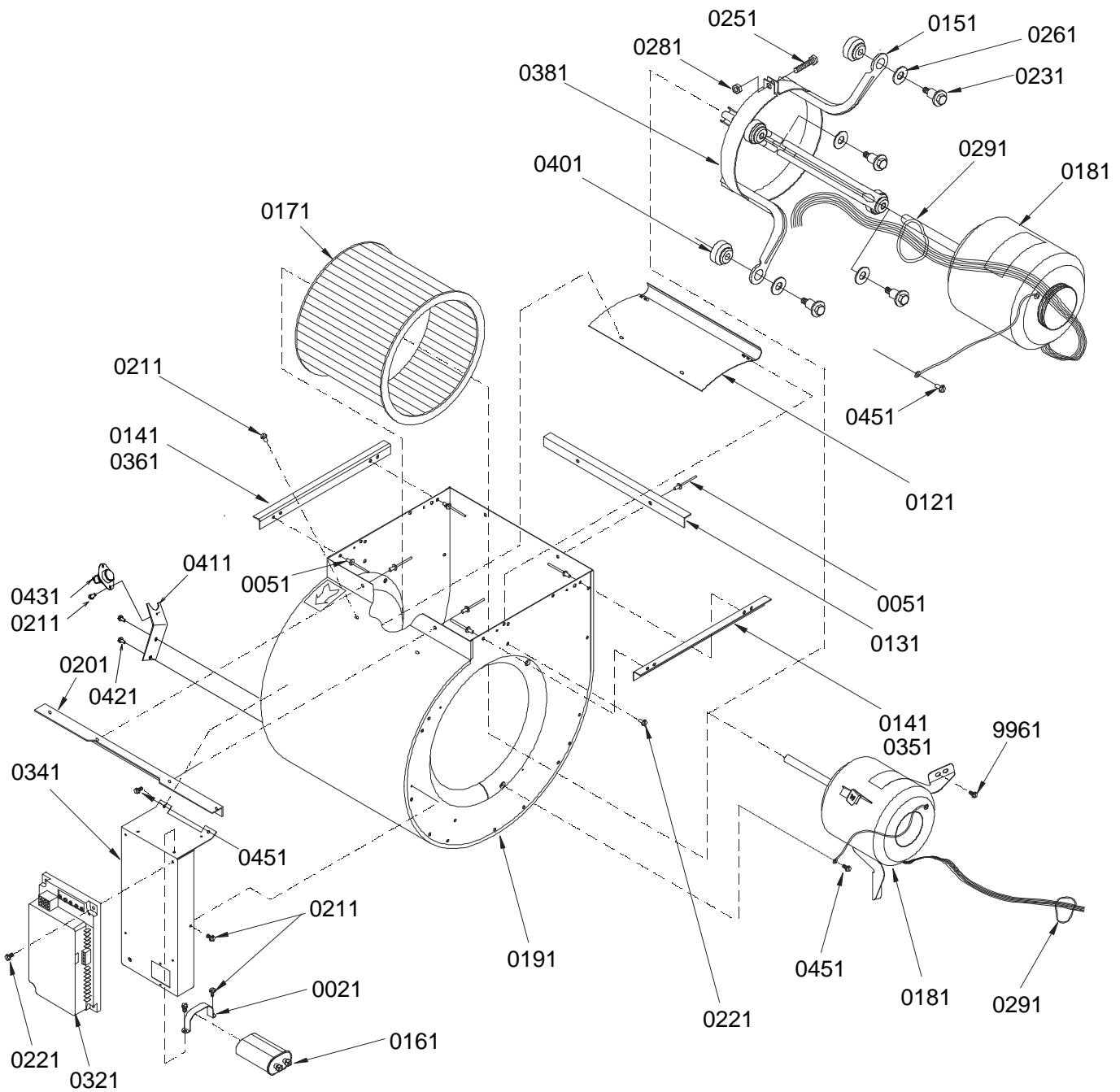
Image 2

| | | |
|------|----------|--------------------------|
| 0032 | M0236717 | SCREW-SM |
| 0042 | C6458302 | ELBOW ASSY |
| 0052 | D9868607 | BLOWER-ID |
| 0062 | M0283201 | NUT-U TYPE SPEED (QTY 2) |
| 0072 | M0200304 | SCREW-MACH (QTY 2) |
| 0092 | D9849601 | COLLAR-PIPE |
| 0102 | B1370924 | PIPE-PVC STRAIGHT |
| 0112 | B1370926 | PIPE-PVC STRAIGHT |
| 0122 | C6455901 | ELBOW-22 1/2 ELL |
| 0132 | M0326802 | PLUG-TUBE |

Expanded Model and Color Nomenclature

| | |
|-----------------|-----------|
| M1 - GCD070X30B | P1217602F |
| M2 - GCD090X40B | P1217604F |

Blower



Blower

| Ref. No: | Part No: | Description: | Ref. No: | Part No: | Description: |
|----------------|----------|----------------------------|----------|----------|--------------|
| <i>Image 1</i> | | | | | |
| 0021 | A4055402 | STRAP-CAPACITOR | | | |
| 0051 | A4539611 | RIVET-POP (QTY AR) | | | |
| 0121 | C6121807 | CUTOFF (M2) | | | |
| 0121 | C6121810 | CUTOFF (M1) | | | |
| 0131 | C6392833 | ANGLE-BLOWER (M2) | | | |
| 0131 | C6392834 | ANGLE-BLOWER (M1) | | | |
| 0141 | C6392906 | ANGLE-BLOWER (M1) (QTY 2) | | | |
| 0151 | 10441501 | ARM-MTR MOUNT (M2) (QTY 4) | | | |
| 0161 | 10099901 | CAPACITOR (M1) | | | |
| 0161 | D6859325 | CAPACITOR (M2) | | | |
| 0171 | D6723302 | WHEEL-BLOWER (M1) | | | |
| 0171 | D6723311 | WHEEL-BLOWER (M2) | | | |
| 0181 | 20046601 | MOTOR BLOW 1/3 HP (M1) | | | |
| 0181 | 10219708 | MOTOR-BLOWER 1/2 (M2) | | | |
| 0191 | 10324220 | BLOW HSG WELD-PNT (M1) | | | |
| 0191 | 10324222 | BLOW HSG WELD-PNT (M2) | | | |
| 0201 | D9950104 | ANGLE-BLOWER FR (M1) | | | |
| 0201 | D9950113 | ANGLE-BLOWER FR (M2) | | | |
| 0211 | M0211016 | SCREW-SM (QTY AR) | | | |
| 0221 | M0211020 | SCREW-SM (QTY AR) | | | |
| 0231 | M0221461 | SCREW-TC (M2) (QTY AR) | | | |
| 0251 | M0267144 | SCREW-MACH (M2) | | | |
| 0261 | M0274008 | WASHER-FLAT (M2) (QTY AR) | | | |
| 0281 | M0282015 | NUT-KEPS (M2) | | | |
| 0291 | M0321202 | TIE-ELEC | | | |
| 0321 | 10207710 | CONTROL-INTEG | | | |
| 0341 | 10746201 | BRKT-CONTROL | | | |
| 0351 | C6421201 | ANGLE-BLOWER (M2) | | | |
| 0361 | C6421202 | ANGLE-BLOWER (M2) | | | |
| 0381 | 10441601 | BAND-MTR MOUNT (M2) | | | |
| 0401 | A4002701 | GROMMET (M2) (QTY 4) | | | |
| 0411 | B1423601 | BRKT-AUX LIMIT | | | |
| 0421 | M1252043 | SCREW-TC (QTY 2) | | | |
| 0431 | M0352005 | SWITCH | | | |
| 0451 | M0219916 | SCREW-SM (QTY AR) | | | |
| 9961 | M0250558 | SCREW-TC (M1) (QTY 3) | | | |

Expanded Model and Color Nomenclature

| | |
|-----------------|-----------|
| M1 - GCD070X30B | P1217602F |
| M2 - GCD090X40B | P1217604F |