

Models and manufacturing
numbers in this manual

10M12TA

P1214702R

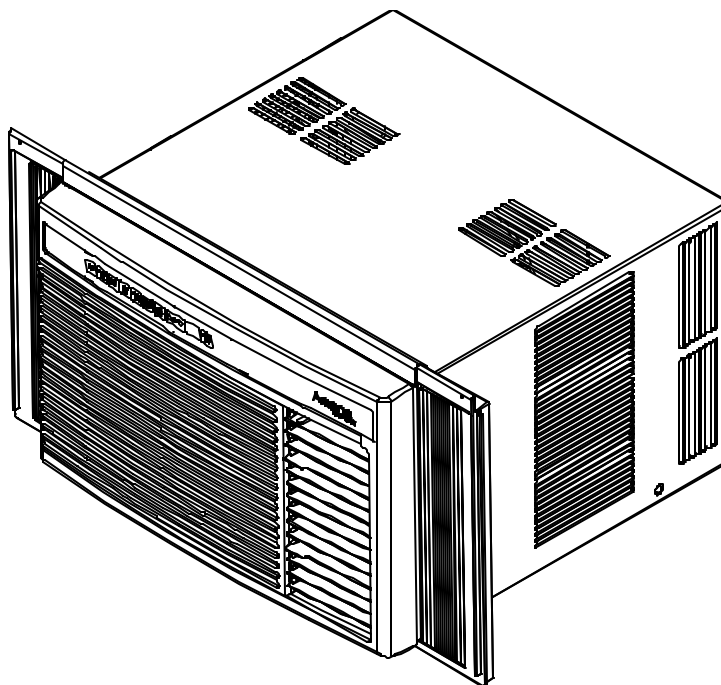
10M12TA

P1230806R

Parts

10,000 Btu Room Air Conditioners

This Manual Replaces RP4100013 Rev. 2.



This manual is to be used by qualified appliance technicians only. Amana does not assume any responsibility for property damage or personal injury for improper service procedures done by an unqualified person.

Amana

RP4100013
Revision 3
May 2001

Important Information

Amana is not responsible for personal injury or property damage resulting from improper service. Review all service information before beginning repairs.

Warranty service must be performed by an authorized technician, using authorized factory parts. If service is required after the warranty expires, Amana also recommends contacting an authorized technician and using authorized factory parts. Locate an authorized technician by calling 800-NATLSVC (800-628-5782).

For assistance within the U.S.A. contact:

Consumer Affairs Department
Amana
2800 220th Trail
Amana IA 52204-0001
319-622-5511--Telephone
319-622-2977--Facsimile

For assistance outside the U.S.A. contact:

International Division
Amana
2800 220th Trail
Amana IA 52204-0001
USA
319-622-5511--Telephone
319-622-8595--Facsimile

Index

Functional Parts List	5
Illustration and Parts	6 - 13

Views shown are for parts illustrations only, not servicing procedures.

Revision 1: Added model P1215006R 18M33PBEH

Revision 2: Added Models P1230816R 9M32PCE, P1214918R B9M32PCE

Revision 3: Split Manual Per Btu Size.

Text Codes:

AR - As Required

NA - Not Available

NS - Not Shown

00000000 - See Note

QTY - Quantity Example (QTY 3) (If Quantity not shown, Quantity = 1)

M - Model Example (M1) (If M Code not shown, then part is used on all Models)

Expanded Model and Color Nomenclature:

Example	
M1 - Model#1	P _____
M2 - Model#2	P _____
M3 - Model#3	P _____

Functional Parts

Part

No: **Description:**

20103501	BOARD-CONTROL-PC
D6789048	CAPACITOR-POLY (M1)
D6789049	CAPACITOR-POLY (M2)
11101507	COMP-TC RGA5510EXA (M2)
D9831808	COMP-TC RKA5510EXA (M1)
20073502	CONDENSER ASSY (M1)
20107501	CONDENSER ASSY (M2)
20057501	CORD-POWER
20062803	EVAPORATOR ASSY
20046501	FAN-PL. COND.
20064301	FILTER-COMPACT
20059705	MOTOR-FAN 9/10M12TA
D6961630	OVERLOAD
11154403	PTCR-START DEVICE (M1)
B1394401	STRAINER
20061202	WHEEL-PL. BLOW

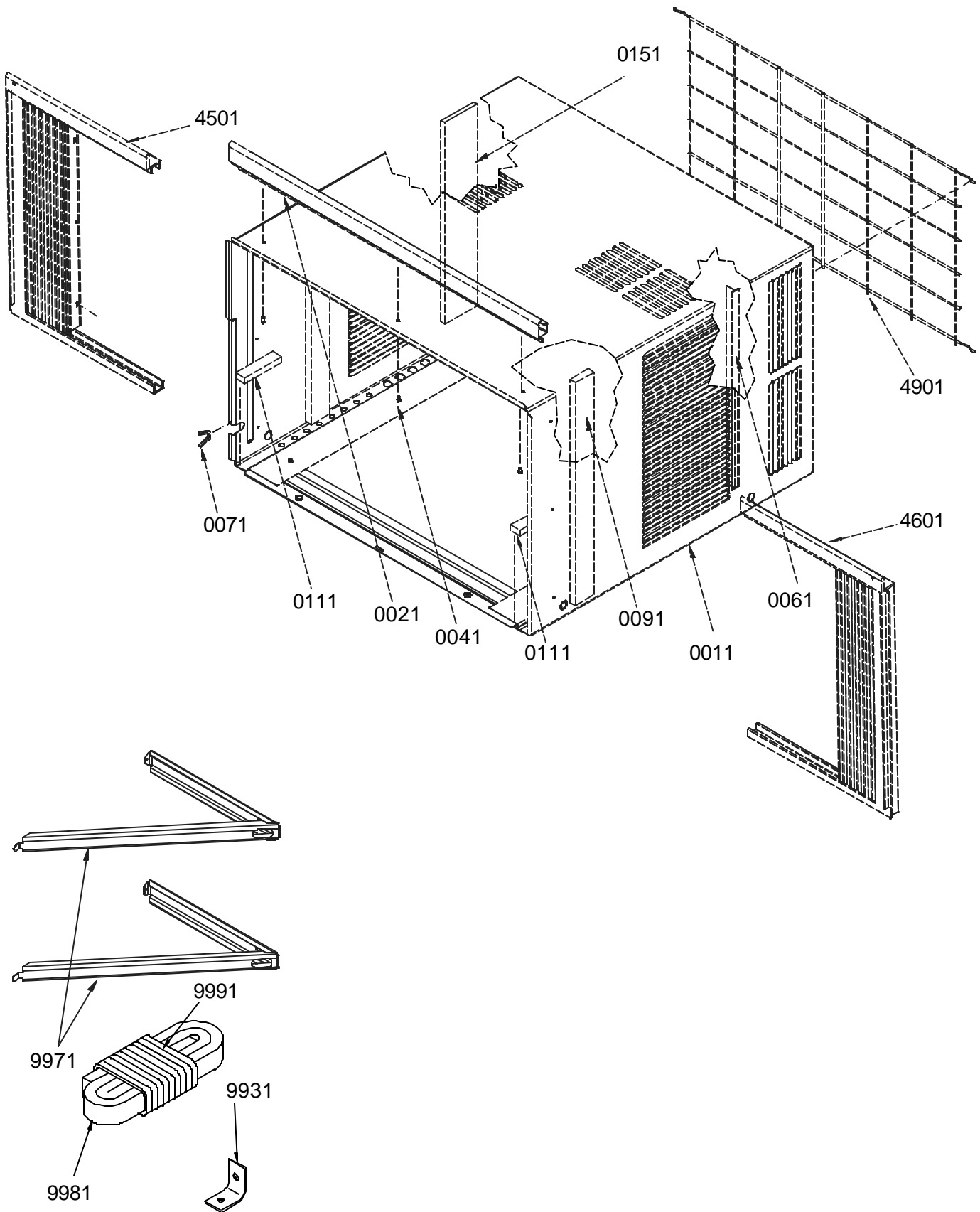
SPECIAL PARTS

20070203	INSTR-INSTALL THR WL
20094101	INSTR-INSTALL WINDOW
20058002	MANUAL-OWNERS
RP4100013	MANUAL-PARTS
RS4100008	MANUAL-SERVICE (M1)
RT4100046	TECH SHEET (M2)
RT4100027	TECH SHEET (M1)

Expanded Model and Color Nomenclature

M1 - 10M12TA	P1214702R
M2 - 10M12TA	P1230806R

Outer Case Assembly



Outer Case Assembly

Ref. Part No:	Part No:	Description:	Ref. Part No:	Part No:	Description:
---------------	----------	--------------	---------------	----------	--------------

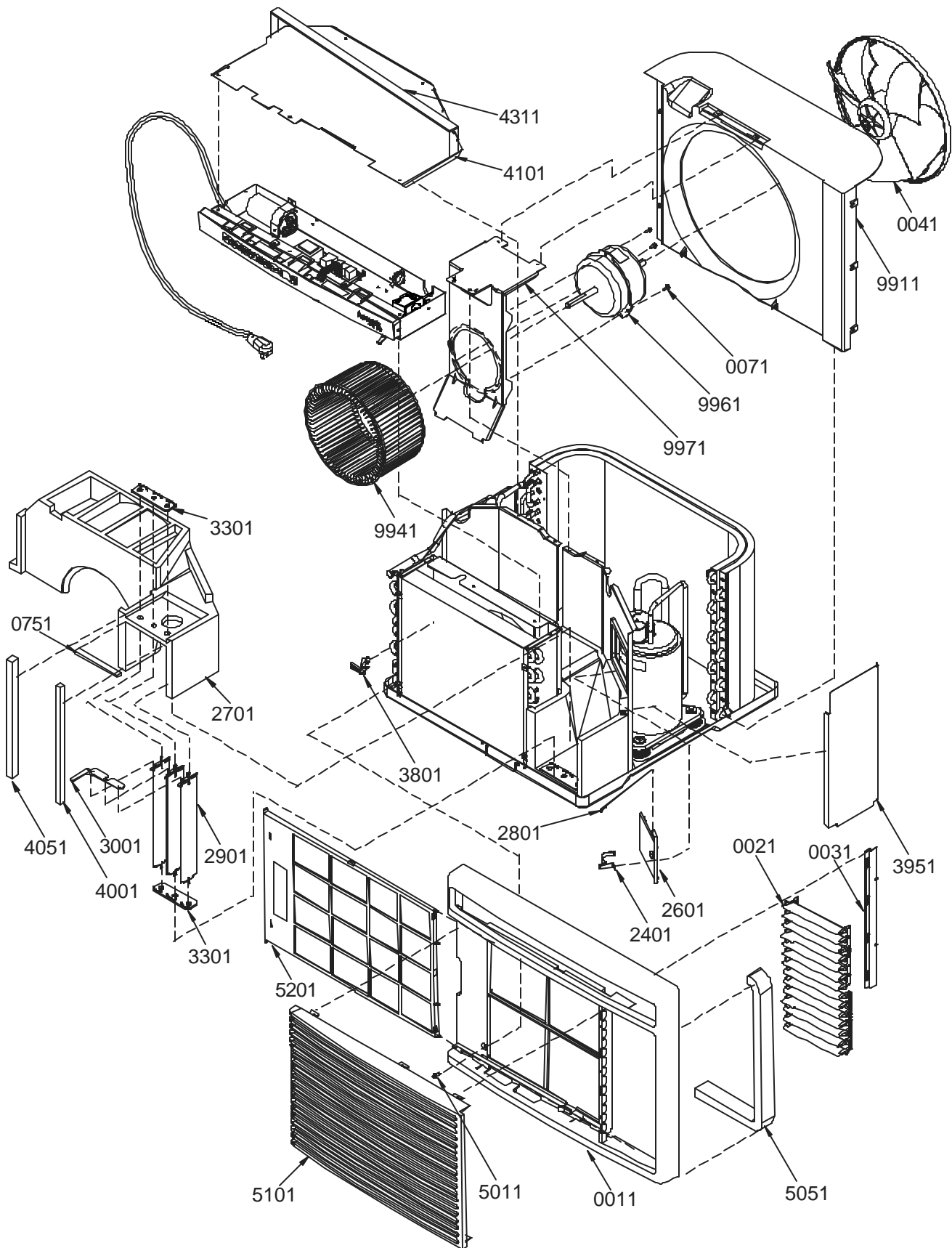
Image 1:

0011	20060201	OUTERCASE TOX			
0021	20055102	RAIL-TOP			
0041	M0245203	SCREW-SM STL (QTY AR)			
0061	20065008	SEAL STRIP-OUTER			
0071	20075701	GROMMET-PWR CORD			
0091	10839707	GASKET-URETHANE (QTY AR)			
0111	10839807	GASKET-CROSS LINK (QTY AR)			
0151	10839818	GASKET-5/16X2.625 (M1)			
4501	20055003	CURT FRAME ASSY-LH ALSO AVAILABLE IN BAG ASSEMBLY			
4601	20055004	CURT FRAME ASSY-RH ALSO AVAILABLE IN BAG ASSEMBLY			
4901	20063301	GRILLE-REAR COMP			
9931	10661401	BRKT-WINDOW STOP ALSO AVAILABLE IN BAG ASSEMBLY			
9971	20061801	BRACKET-SUPP (QTY 2)			
9981	10839702	GASKET-URETHANE ALSO AVAILABLE IN BAG ASSEMBLY			
9991	10839720	GASKET-URETHANE (QTY AR) ALSO AVAILABLE IN BAG ASSEMBLY			
NS	20054801	ADJUSTING FOOT (QTY 2) ALSO AVAILABLE IN BAG ASSEMBLY			
NS	10228314	BAG ASSY NEEDED FOR INSTALLATION INCLUDES BRACKETS, WINDOW STOP, SCREWS, ADJUSTING FOOT, BASEPAN CLIP, DRAIN			
NS	20065102	CLIP-BASEPAN ALSO AVAILABLE IN BAG ASSEMBLY			
NS	20064101	DRAIN ALSO AVAILABLE IN BAG ASSEMBLY			
NS	M0211020	SCREW-SM ALSO AVAILABLE IN BAG ASSEMBLY			
NS	M0211030	SCREW-SM (QTY AR) ALSO AVAILABLE IN BAG ASSEMBLY			
NS	M0213032	SCREW-SM (QTY AR) ALSO AVAILABLE IN BAG ASSEMBLY			
NS	M0213531	SCREW-SM (QTY AR) ALSO AVAILABLE IN BAG ASSEMBLY			
NS	M0216716	SCREW-SM ALSO AVAILABLE IN BAG ASSEMBLY			

Expanded Model and Color Nomenclature

M1 - 10M12TA	P1214702R
M2 - 10M12TA	P1230806R

Chassis Assembly



Chassis Assembly

Ref. Part No:	Part No:	Description:	Ref. Part No:	Part No:	Description:
---------------	----------	--------------	---------------	----------	--------------

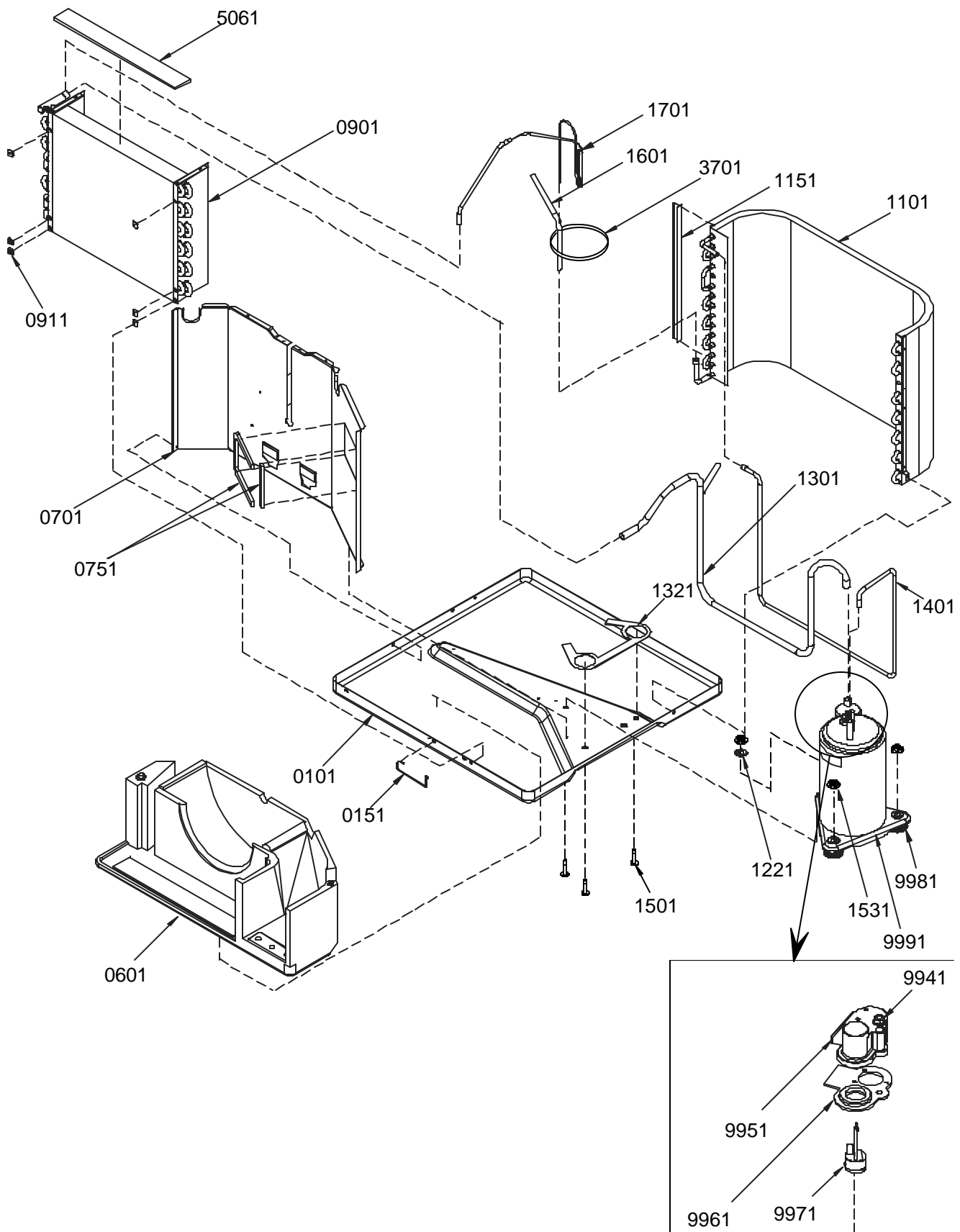
Image 1:

0011	20051701	FRONT-COMPACT
0021	20052601	LOUVER-HORIZ (QTY 2)
0031	20052701	RETAINER-LOUVER
0041	20046501	FAN-PL. COND.
0071	M0254830	SCREW-TAP-R (QTY 3)
0751	10839705	GASKET-URETHANE (QTY AR)
2401	20055502	SPRING-EXHAUST DOOR
2601	20051302	DOOR-EXHAUST
2701	20062701	SCROLL-EVAP TOP
2801	20055606	ACTUATOR-EXH DR
2901	20111201	LOUVER-VERT (QTY 3)
3001	20051404	GANG BAR-VERT LOUVER
3301	20051502	BASE-PIVOT (QTY 2)
3801	20075601	CLIP-T'STAT
3951	20068702	PANEL-RIGHT SIDE
4001	10839706	GASKET-URETHANE (QTY AR)
4051	10839712	GASKET-URETHANE (QTY AR)
4101	20090601	COVER-TOP
4311	10839710	GASKET-URETHANE (QTY AR)
5011	M0219730	SCREW-SM (QTY AR)
5051	10839701	GASKET-URETHANE (QTY AR)
5101	20051801	INSERT-COMPACT
5201	20064301	FILTER-COMPACT
9911	20063401	CONDENSER-SHROUD
9941	20061202	WHEEL-PL. BLOW
9961	20059705	MOTOR-FAN 9/10M12TA
9971	20053905	BRACKET-FAN

Expanded Model and Color Nomenclature

M1 - 10M12TA	P1214702R
M2 - 10M12TA	P1230806R

Chassis Assembly



Chassis Assembly

Ref. Part No:	Ref. Part No:	Description:	Description:
---------------	---------------	--------------	--------------

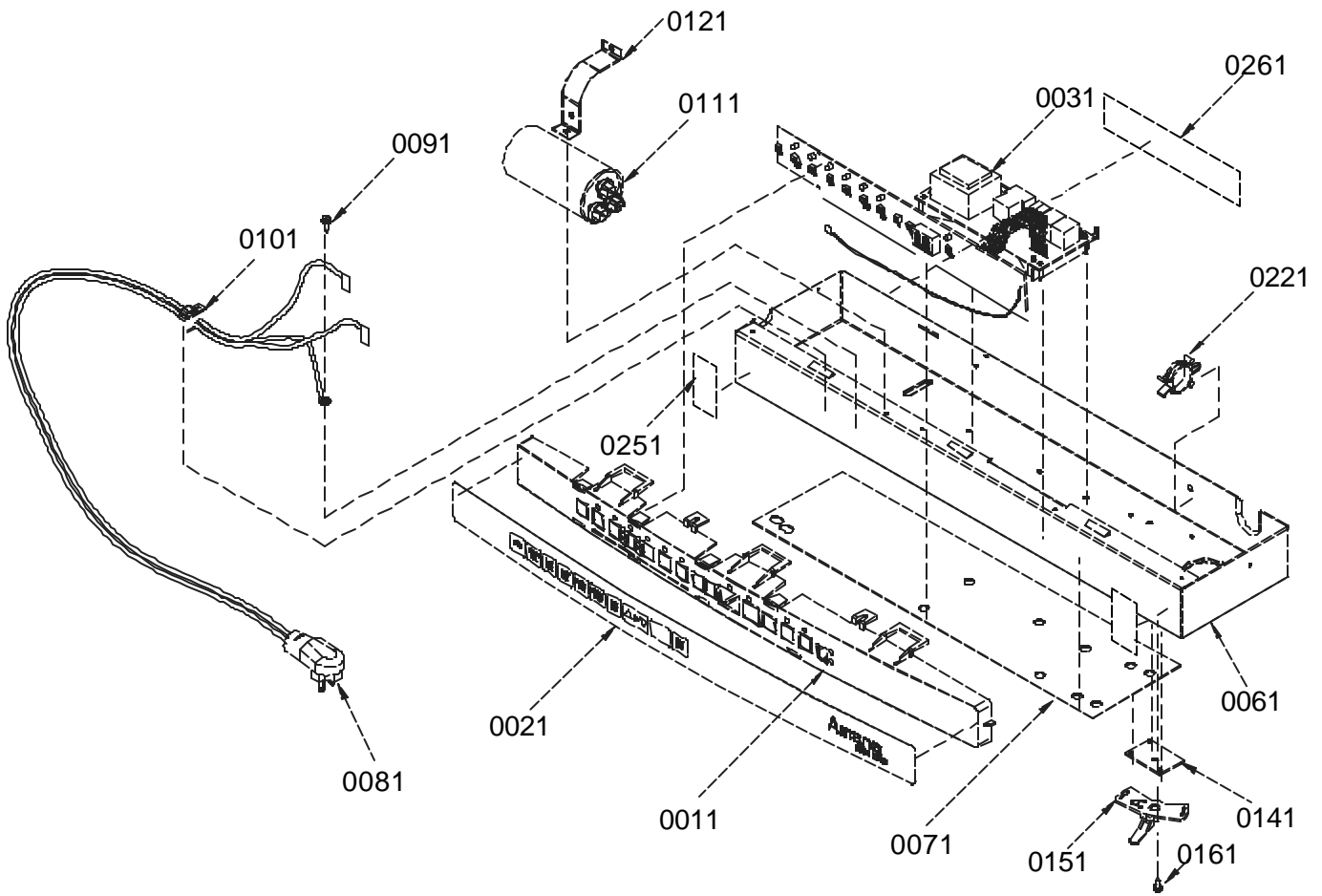
Image 1:

0101	20070805	BASEPAN (M1)
0101	20070807	BASEPAN (M2)
0151	20088701	HANDLE-BASEPAN
0601	20062601	SCROLL-EVAP BOTTOM
0701	20062507	PANEL-PARTITION
0751	10839705	GASKET-URETHANE (QTY AR)
0901	20062803	EVAPORATOR ASSY
0911	M0586001	GROMMET-SCREW (QTY AR)
1101	20073502	CONDENSER ASSY (M1)
1101	20107501	CONDENSER ASSY (M2)
1151	20065008	SEAL STRIP-OUTER (QTY AR)
1221	20113001	WASHER-CUP (M2)
1301	20068903	SUCTION WELD (M1)
1301	20118801	SUCTION WELD (M2)
1321	20099502	PROTECTOR-BASEPAN (M1)
1401	20076702	TUBE-DISCHARGE (M1)
1401	20076703	TUBE-DISCHARGE (M2)
1501	20109101	BOLT-SHOULDER (QTY 3)
1531	20112901	NUT-PALNUT (QTY 3)
1601	B1394401	STRAINER
1701	20089201	CAPILLARY ASSY
3701	M0321202	TIE-ELEC LG (QTY AR)
5061	10839816	GASKET-1/4 X 1.75
9941	A9036601	NUT-TERM COVER
9951	C6470701	COVER-TERM
9961	B1434901	GASKET-TERM COVER
9971	D6961630	OVERLOAD
9981	A3448601	GROMMET (M1)
9981	C6466001	GROMMET-COMP (M2) (QTY 3)
9991	11101507	COMP-TC RGA5510EXA (M2)
9991	D9831808	COMP-TC RKA5510EXA (M1)
NS	10839716	GASKET-URETHANE (QTY AR)

Expanded Model and Color Nomenclature

M1 - 10M12TA	P1214702R
M2 - 10M12TA	P1230806R

Control Assembly



Control Assembly

Ref. Part No:	Ref. Part No:	Description:	Description:
---------------	---------------	--------------	--------------

Image 1:

0011	20052901	HOUSING-CONTROL
0021	20054101	OVERLAY-COMP-QZ
0031	20103501	BOARD-CONTROL-PC
0061	20063601	BOX-CONTROL
0071	20231801	INS-CONTROL BOX
0081	20057501	CORD-POWER
0091	M0227803	SCREW-TC
0101	M0103902	CLAMP-SPEED
0111	D6789048	CAPACITOR-POLY (M1)
0111	D6789049	CAPACITOR-POLY (M2)
0121	C6300511	STRAP-CAPACITOR
0141	20050701	BLOCK-INDEXING,VENT
0151	20050801	LEVER-CONTROL,VENT
0161	M0245104	SCREW-SM
0221	M0118702	CLIP-GUIDE
0251	10839820	GASKET-FOAM (QTY AR)
0261	10839803	GASKET-CROSS LINK (QTY AR)
NS	11154403	PTCR-START DEVICE (M1)
NS	M0216519	SCREW-SM (M1)

Expanded Model and Color Nomenclature

M1 - 10M12TA	P1214702R
M2 - 10M12TA	P1230806R