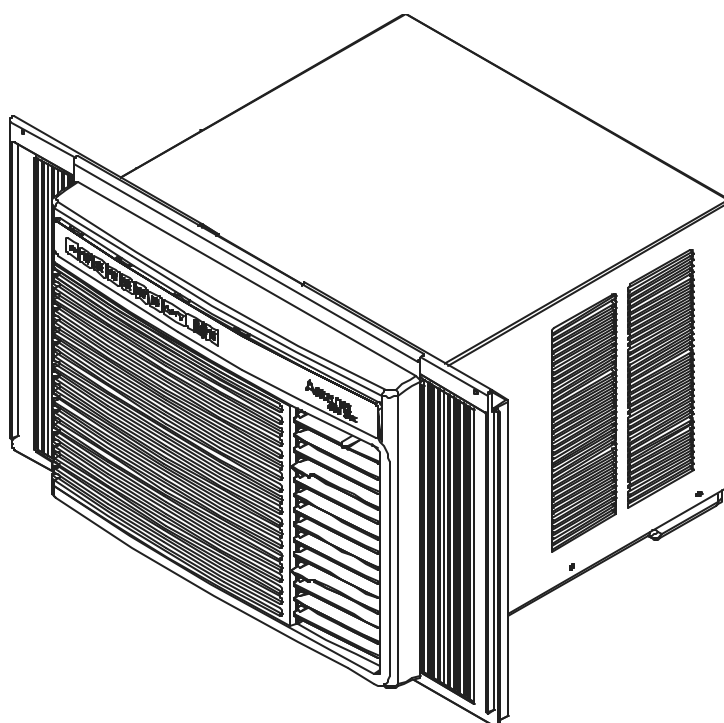


Parts

9,000 Btu Room Air Conditioner

This manual replaces RP4100012 Rev. 4.



Models and manufacturing numbers in this manual

9M11TA	P1214607R
9M11TA	P1214612R
9M12TA	P1214701R
9M12TA	P1230801R
9M32PAE	P1214901R
B9M32PAE	P1214914R
9M32PBE	P1214909R
9M32PBE	P1230803R
9M32PCE	P1230816R
B9M32PCE	P1214918R
9M32PAEH	P1214902R
B9M32PAEH	P1214905R
B9M32PAEH	P1214906R
9M32PBEH	P1214910R
9M32PBEH	P1230805R

This manual is to be used by qualified appliance technicians only. Amana does not assume any responsibility for property damage or personal injury for improper service procedures done by an unqualified person.

Amana

RP4100012
Revision 5
May 2001

Important Information

Amana is not responsible for personal injury or property damage resulting from improper service. Review all service information before beginning repairs.

Warranty service must be performed by an authorized technician, using authorized factory parts. If service is required after the warranty expires, Amana also recommends contacting an authorized technician and using authorized factory parts. Locate an authorized technician by calling 800-NATLSVC (800-628-5782).

For assistance within the U.S.A. contact:

Consumer Affairs Department
Amana
2800 220th Trail
Amana IA 52204-0001
319-622-5511--Telephone
319-622-2977--Facsimile

For assistance outside the U.S.A. contact:

International Division
Amana
2800 220th Trail
Amana IA 52204-0001
USA
319-622-5511--Telephone
319-622-8595--Facsimile

Index

Functional Parts List	4 - 5
Illustration and Parts	6 - 19

Views shown are for parts illustrations only, not servicing procedures.

1. Added models P1214910R 9M32PBEH, P1214912R 12M32PBEH
2. Added models 9M32PBEH P1230805R, B9M32PAEH P1214905R, P1214907R B12M32PAEH.
3. Added model 12M32PBEH P1230812R.
4. Updated Switchover Thermostat Illustration.
5. Split manual per btu size.

Text Codes:

AR - As Required

NA - Not Available

NS - Not Shown

00000000 - See Note

QTY - Quantity Example (QTY 3) (If Quantity not shown, Quantity = 1)

M - Model Example (M1) (If M Code not shown, then part is used on all Models)

Expanded Model and Color Nomenclature:

Example	
M1 - Model#1	P _____
M2 - Model#2	P _____
M3 - Model#3	P _____

Functional Parts

Part

No: Description:

20103504	BOARD-CONTROL PC (M1, M2)
20103501	BOARD-CONTROL-PC (M3, M4)
D6879821	CAPACITOR (M8, M9, M10)
D6789049	CAPACITOR-POLY (M4)
D6789048	CAPACITOR-POLY (M3)
D6789048	CAPACITOR-POLY (M5, M6, M7, M11, M13, M14)
D6789054	CAPACITOR-ROUND (M12, M15)
D6789062	CAPACITOR-ROUND (M1, M2)
20113103	COIL ASSY-EVAP (M1, M2)
10702202	COIL REVERSING VALVE (M11, M12, M13, M14, M15)
11101506	COMP-TC RGA5492EXA (M4)
11101506	COMP-TC RGA5492EXA (M1, M2)
11101509	COMP-TC RGA5492EXD (M8, M9, M10)
11101509	COMP-TC RGA5492EXD (M12, M15)
D9831802	COMP-TC RKA5490EXA (M3)
D9831806	COMP-TC RKA5490EXD (M5, M6, M7, M11, M12, M13)
20098701	COND COIL ASSY (M11, M12, M13, M14, M15)
20113204	CONDENSER ASSY (M1, M2)
20073502	CONDENSER ASSY (M3, M4, M5, M6, M7, M8, M9, M10)
20057501	CORD-POWER (M1, M2, M3, M4)
20057503	CORD-POWER (M5, M6, M7, M8, M9, M10, M11, M12, M13, M14, M15)
20111601	EVAPORATOR ASSY (M4, M8, M9, M10)
20062803	EVAPORATOR ASSY (M3, M5, M6, M7)
20098501	EVAPORATOR ASSY (M11, M12, M13, M14, M15)
20109601	FAN-COND (M1, M2)
20046501	FAN-PL. COND. (M3, M4, M9, M10, M11, M12, M13, M14, M15)
11044001	FAN-PL. COND. (M5, M6, M7, M8)
20064301	FILTER-COMPACT (M3, M4, M5, M6, M7, M8, M9, M10, M11, M12, M13, M14, M15)
20055901	FILTER-PORTABLE (M1, M2)
10685011	HARNESS-COIL (M11, M12, M13, M14, M15)
20066401	HEATER (M5, M6, M7, M8, M9, M10)
20066403	HEATER (M11, M12, M13, M14, M15)
20109905	MOTOR-FAN (M2)
20109902	MOTOR-FAN (M1)
20059705	MOTOR-FAN 9/10M12TA (M3, M4)
20059709	MOTOR-FAN-230V COMP (M5, M6, M7, M8, M9, M10, M11, M12, M13, M14, M15)
D6961667	OVERLOAD (M1, M2)
D6961630	OVERLOAD (M3, M4, M5, M6, M7, M8, M9, M10)
D6961664	OVERLOAD (M11, M13, M14)
D6961669	OVERLOAD (M12, M15)
11154403	PTCR-START DEVICE (M3)
20097701	REV VALVE ASSY (M11, M12, M13, M14, M15)
B1394401	STRAINER (M3, M4, M5, M6, M7, M8, M9, M10, M11, M12, M13, M14, M15)
20066701	SWITCH-PUSH BUTTON (M11, M12, M13, M14, M15)
20066601	SWITCH-PUSH BUTTON (M5, M6, M7, M8, M9, M10)
20113701	SWITCHOVER-T'STAT (M12, M15)
20097402	T-STAT SWITCH OVER (M11, M13, M14)
20070402	THERMOSTAT (M5, M6, M7, M8, M9, M10, M11, M12, M13, M14, M15)
20109701	WHEEL-BLOWER (M1, M2)
20061204	WHEEL-BLOWER (M5, M6, M7, M8, M9, M10, M11, M12, M13, M14, M15)
20061202	WHEEL-PL. BLOW (M3, M4)

Functional Parts

Part

No: Description:

SPECIAL PARTS

20106801	INSTR-INSTALL (M7, M8, M9, M10, M12, M14, M15)
20058201	INSTR-INSTALL (M1, M2)
20070203	INSTR-INSTALL THR WL (M3, M4, M5, M11)
20094101	INSTR-INSTALL WINDOW (M3, M4)
20058002	MANUAL-OWNERS (M1, M2, M3, M4)
20070001	MANUAL-OWNERS CZ (M5, M6, M7)
20070003	MANUAL-OWNERS CZ (M11, M12, M13, M14, M15)
20070002	MANUAL-OWNERS CZ (M8, M9, M10)
RP4100012	MANUAL-PARTS
RS4100008	MANUAL-SERVICE (M3, M5, M9, M11, M12)
RS4100007	SERVICE MANAUAL (M1, M2)
RT4100053	SHEET-TECH (M12, M13, M15)
RT4100036	SHEET-TECH (M11, M14)
RT4100026	TECH SHEET (M3)
RT4100035	TECH SHEET (M5, M7)
RT4100045	TECH SHEET (M4)
RT4100052	TECH SHEET (M8, M9)
RT4100050	TECH SHEET (M1)

Expanded Model and Color Nomenclature

M1 - 9M11TA	P1214607R
M2 - 9M11TA	P1214612R
M3 - 9M12TA	P1214701R
M4 - 9M12TA	P1230801R
M5 - 9M32PAE	P1214901R
M6 - B9M32PAE	P1214914R
M7 - 9M32PBE	P1214909R
M8 - 9M32PBE	P1230803R
M9 - 9M32PCE	P1230816R
M10 - B9M32PCE	P1214918R
M11 - 9M32PAEH	P1214902R
M12 - B9M32PAEH	P1214905R
M13 - B9M32PAEH	P1214906R
M14 - 9M32PBEH	P1214910R
M15 - 9M32PBEH	P1230805R

Outer Case Assembly

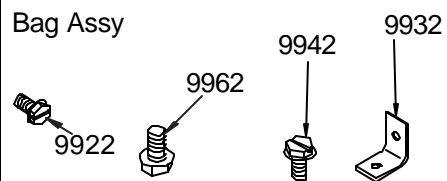
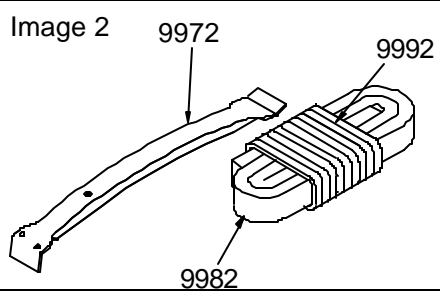
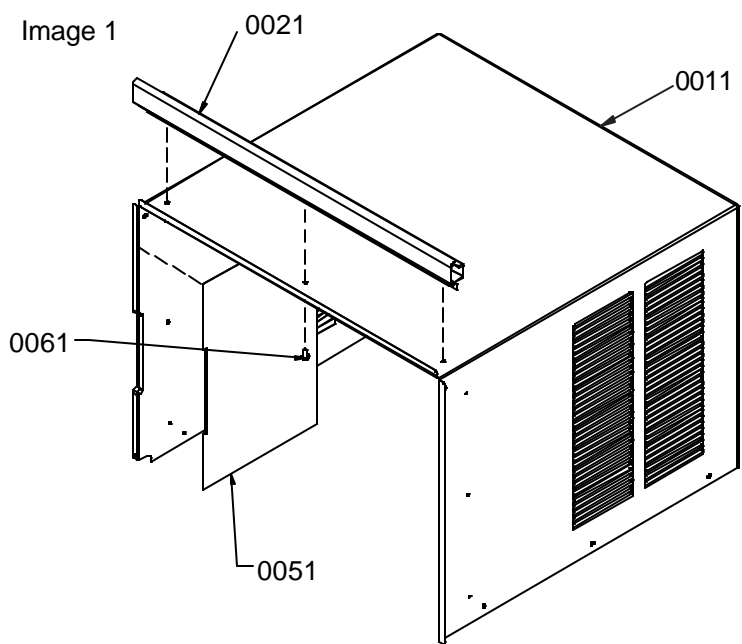
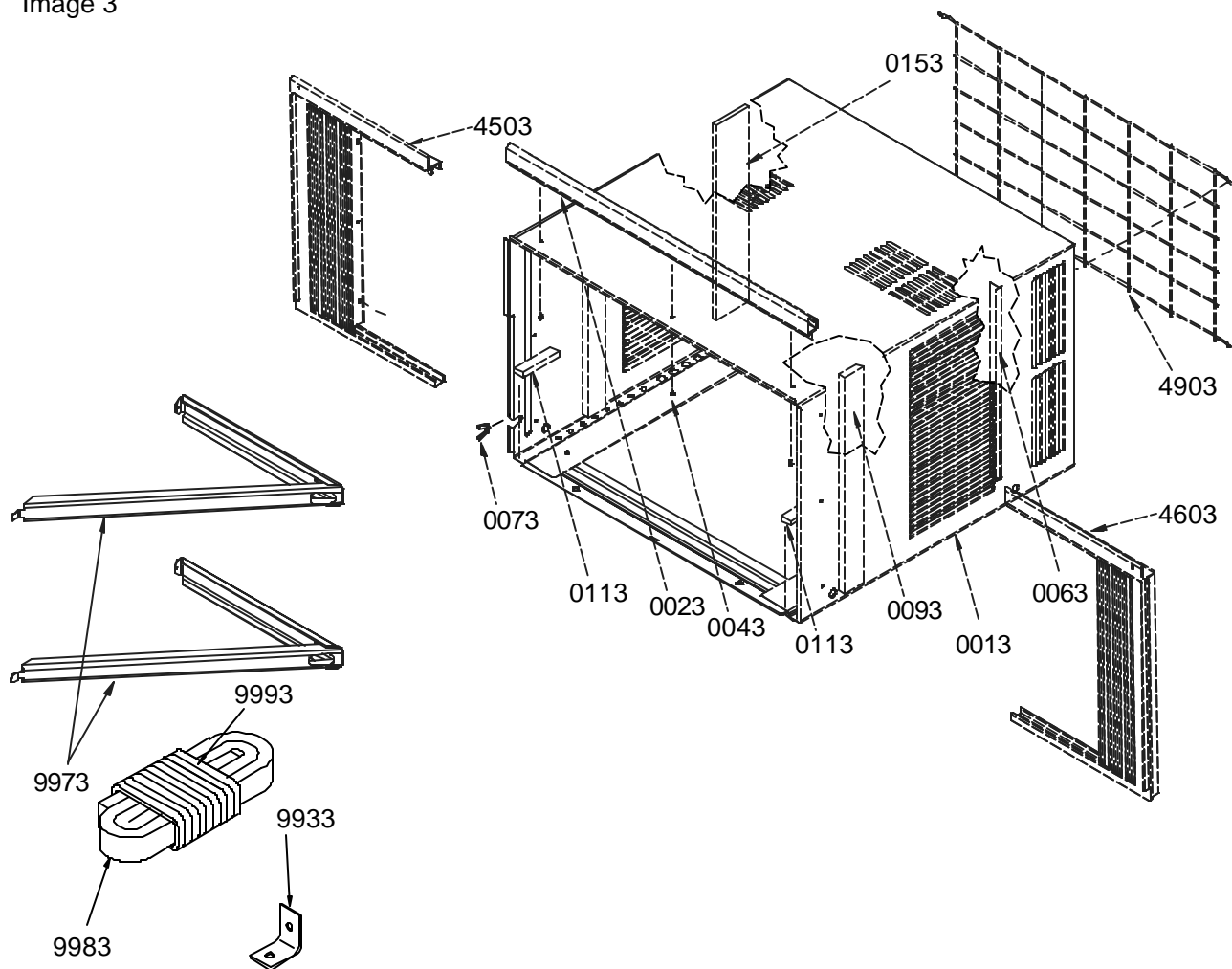


Image 3



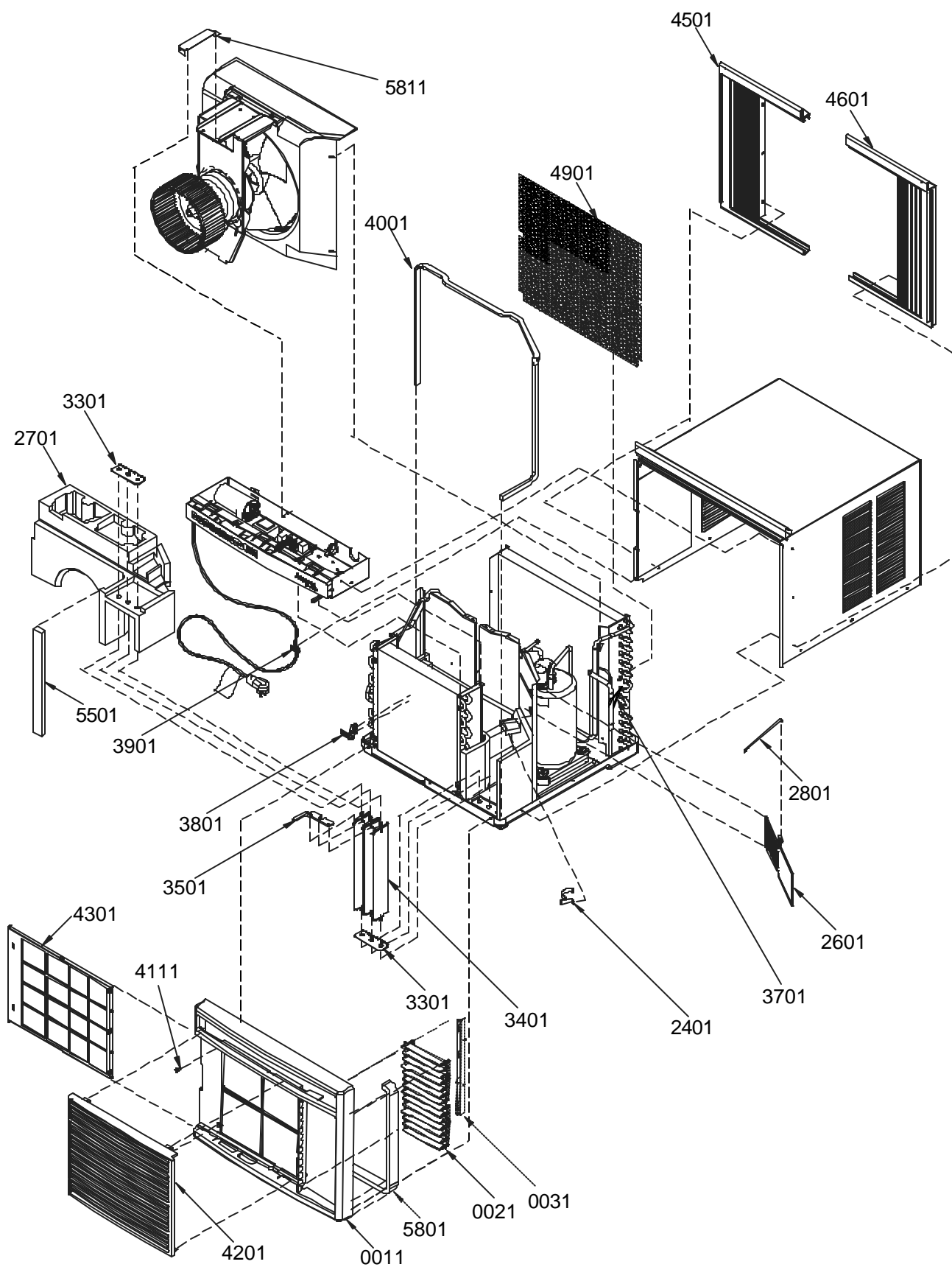
Outer Case Assembly

Ref. Part No:	Ref. Part No:	Description:	Description:
<i>Image 1:</i>			
0011 20050002	NS 20065102	OUTERCASE-PPNT (M1, M2)	CLIP-BASEPAN (M3, M4, M5, M6, M7, M8, M9, M10, M11, M12, M13, M14, M15) ALSO AVAILABLE IN BAG ASSEMBLY
0021 20055101	NS 20064101	RAIL-TOP (M1, M2)	DRAIN (M3, M4, M5, M6, M7, M8, M9, M10, M11, M12, M13, M14, M15) ALSO AVAILABLE IN BAG ASSEMBLY
0051 20059601		INS-1/8 CLSD CELL (M1, M2)	
0061 M0254917		SCREW-SM (M1, M2) (QTY AR)	
<i>Image 2:</i>			
9922 M0213032	NS M0211020	SCREW-SM (M1, M2) (QTY 3) ALSO AVAILABLE IN BAG ASSEMBLY	SCREW-SM (M3, M4) ALSO AVAILABLE IN BAG ASSEMBLY
9932 10661401	NS M0211030	BRKT-WINDOW STOP (M1, M2) ALSO AVAILABLE IN BAG ASSEMBLY	SCREW-SM (M3, M4) (QTY AR) ALSO AVAILABLE IN BAG ASSEMBLY
9942 M0200001	NS M0213032	SCREW-ADJ (M1, M2) ALSO AVAILABLE IN BAG ASSEMBLY	SCREW-SM (M3, M4) (QTY AR) ALSO AVAILABLE IN BAG ASSEMBLY
9962 M0211020	NS M0213531	SCREW-SM #8-7/8 (M1, M2) (QTY 3) ALSO AVAILABLE IN BAG ASSEMBLY	SCREW-SM (M3, M4) (QTY AR) ALSO AVAILABLE IN BAG ASSEMBLY
9972 11075307	NS M0216716	SUPPORT-SAFETY (M1, M2) ALSO AVAILABLE IN BAG ASSEMBLY	SCREW-SM (M3, M4, M5, M6, M7, M8, M9, M10, M11, M12, M13, M14, M15) ALSO AVAILABLE IN BAG ASSEMBLY
9982 10839702		GASKET 1.50 X .750 (M1, M2) ALSO AVAILABLE IN BAG ASSEMBLY	
9992 10839720		GASKET .500 X .250 (M1, M2) (QTY AR) ALSO AVAILABLE IN BAG ASSEMBLY	
NS 10228312		BAG ASSY (M1, M2) NEEDED FOR INSTALLATION INCLUDES SUPPORT, WINDOW STOP, SCREWS	
<i>Image 3:</i>			
0013 20060201		OUTERCASE TOX (M3, M4, M5, M11)	
0013 20106701		OUTERCASE TOX (M7, M8, M9, M14, M15)	
0023 20055102		RAIL-TOP (M3, M4, M5, M11)	
0043 M0245203		SCREW-SM STL (M3, M4, M5) (QTY AR)	
0063 20065008		SEAL STRIP-OUTER (M3, M4, M5, M7, M8, M9, M11, M14, M15)	
0073 20075701		GROMMET-PWR CORD (M3, M4, M5, M7, M8, M9, M11, M14, M15)	
0093 10839707		GASKET-URETHANE (M3, M4, M5, M7, M8, M9) (QTY AR)	
0113 10839807		GASKET-CROSS LINK (M3, M4, M5, M7, M8, M9) (QTY AR)	
0153 10839818		GASKET-5/16X2.625 (M3, M4, M5, M7, M8, M9)	
4503 20055003		CURT FRAME ASSY-LH (M3, M4) ALSO AVAILABLE IN BAG ASSEMBLY	
4603 20055004		CURT FRAME ASSY-RH (M3, M4) ALSO AVAILABLE IN BAG ASSEMBLY	
4903 20063301		GRILLE-REAR COMP (M3, M4, M5, M7, M8, M9, M11, M14, M15)	
9933 10661401		BRKT-WINDOW STOP (M3, M4) ALSO AVAILABLE IN BAG ASSEMBLY	
9973 20061801		BRACKET-SUPP (M3, M4) (QTY 2) ALSO AVAILABLE IN BAG ASSEMBLY	
9983 10839702		GASKET-URETHANE (M3, M4) ALSO AVAILABLE IN BAG ASSEMBLY	
9993 10839720		GASKET-URETHANE (M3, M4) (QTY AR) ALSO AVAILABLE IN BAG ASSEMBLY	
NS 20054801		ADJUSTING FOOT (M3, M4) (QTY 2) ALSO AVAILABLE IN BAG ASSEMBLY	
NS 10228314		BAG ASSY (M3, M4) NEEDED FOR INSTALLATION INCLUDES BRACKETS, WINDOW STOP, SCREWS, ADJUSTING FOOT, BASEPAN CLIP, DRAIN	
NS 10228318		BAG ASSY (M5, M6, M7, M8, M9, M10) NEEDED FOR INSTALLATION INCLUDES BRACKETS, WINDOW STOP, SCREWS, ADJUSTING FOOT, BASEPAN CLIP, DRAIN	

Expanded Model and Color Nomenclature

M1 - 9M11TA	P1214607R
M2 - 9M11TA	P1214612R
M3 - 9M12TA	P1214701R
M4 - 9M12TA	P1230801R
M5 - 9M32PAE	P1214901R
M6 - B9M32PAE	P1214914R
M7 - 9M32PBE	P1214909R
M8 - 9M32PBE	P1230803R
M9 - 9M32PCE	P1230816R
M10 - B9M32PCE	P1214918R
M11 - 9M32PAEH	P1214902R
M12 - B9M32PAEH	P1214905R
M13 - B9M32PAEH	P1214906R
M14 - 9M32PBEH	P1214910R
M15 - 9M32PBEH	P1230805R

Chassis Assembly



Chassis Assembly

Ref. Part No:	Part No:	Description:	Ref. Part No:	Part No:	Description:
---------------	----------	--------------	---------------	----------	--------------

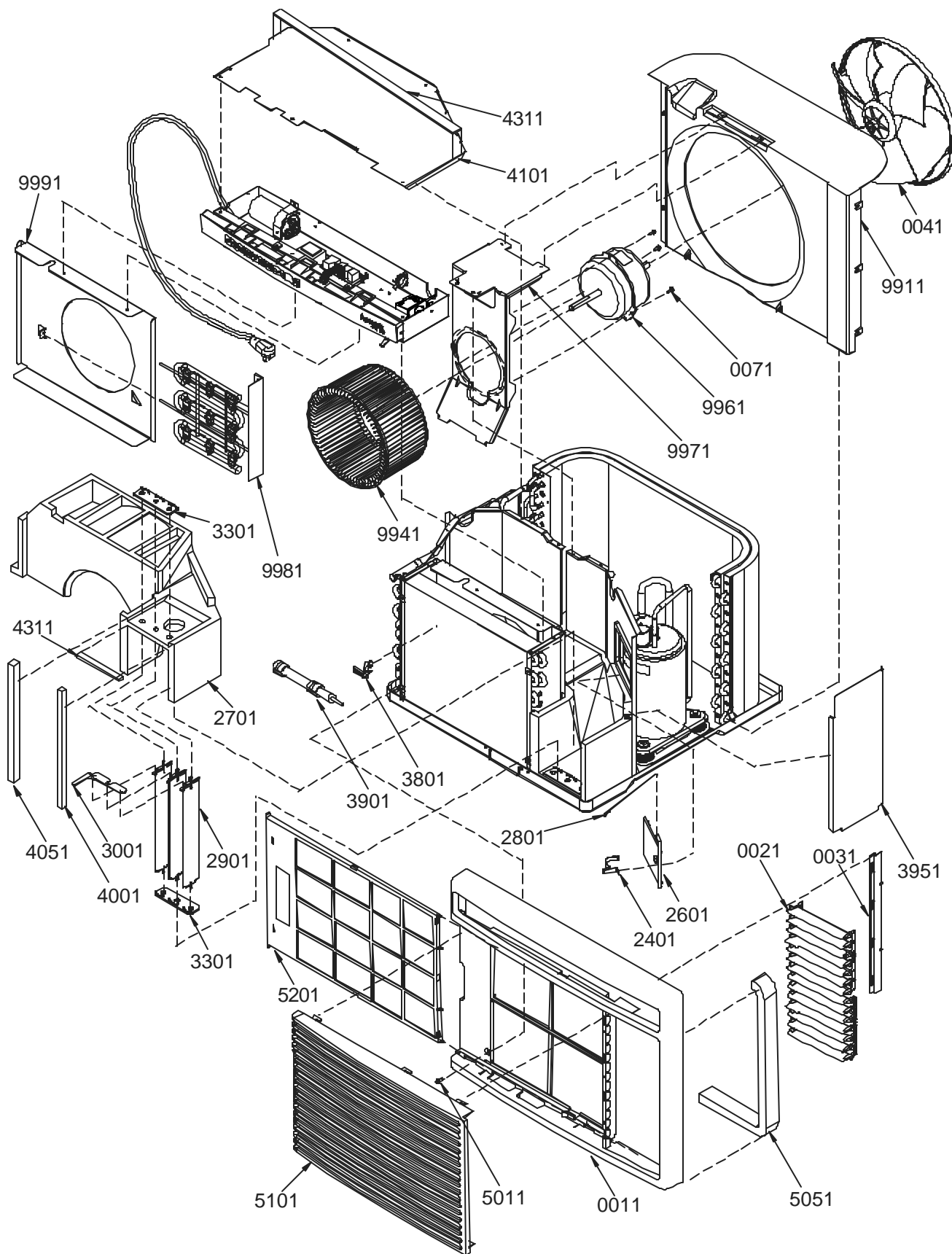
Image 1:

0011	20050202	FRONT FRAME (M1, M2)
0021	20051001	LOUVER-HORIZ (M1, M2) (QTY 2)
0031	20051102	RETAINER,LOUVER (M1, M2)
2401	20055502	SPRING-EXHAUST DOOR (M1, M2)
2601	20051302	DOOR-EXHAUST (M1, M2)
2701	20055403	SCROLL-BLOWER TOP (M1, M2)
2801	20055605	ACTUATOR-EXH DR (M1, M2)
3301	20051501	BASE-PIVOT (M1, M2) (QTY 2)
3401	20111201	LOUVER-VERT (M1, M2) (QTY 3)
3501	20051401	GANG BAR-VERT LOUVER (M1, M2)
3701	M0321202	TIE-ELEC LG (M1, M2) (QTY AR)
3801	20075601	CLIP-T'STAT (M1, M2)
3901	M0103902	CLAMP-SPEED (M1, M2)
4001	10839801	GASKET-CROSS LINK (M1, M2) (QTY AR)
4111	M0219730	SCREW-SM (M1, M2) (QTY AR)
4201	20050301	INSERT-PORTABLE (M1, M2)
4301	20055901	FILTER-PORTABLE (M1, M2)
4501	20055001	CURT FRAME ASSY-LH (M1, M2)
4601	20055002	CURT FRAME ASSY-RH (M1, M2)
4901	20083201	GRILLE-CONDENSER (M1, M2)
5501	10839706	GASKET .500 X .500 (M1, M2) (QTY AR)
5801	10839724	GASKET 1.00 X .50 (M1, M2) (QTY AR)
5811	20082201	TIE-STRAP (M1, M2)
NS	10839705	GASKET .500 X .250 (M1, M2) (QTY AR)

Expanded Model and Color Nomenclature

M1 - 9M11TA	P1214607R
M2 - 9M11TA	P1214612R
M3 - 9M12TA	P1214701R
M4 - 9M12TA	P1230801R
M5 - 9M32PAE	P1214901R
M6 - B9M32PAE	P1214914R
M7 - 9M32PBE	P1214909R
M8 - 9M32PBE	P1230803R
M9 - 9M32PCE	P1230816R
M10 - B9M32PCE	P1214918R
M11 - 9M32PAEH	P1214902R
M12 - B9M32PAEH	P1214905R
M13 - B9M32PAEH	P1214906R
M14 - 9M32PBEH	P1214910R
M15 - 9M32PBEH	P1230805R

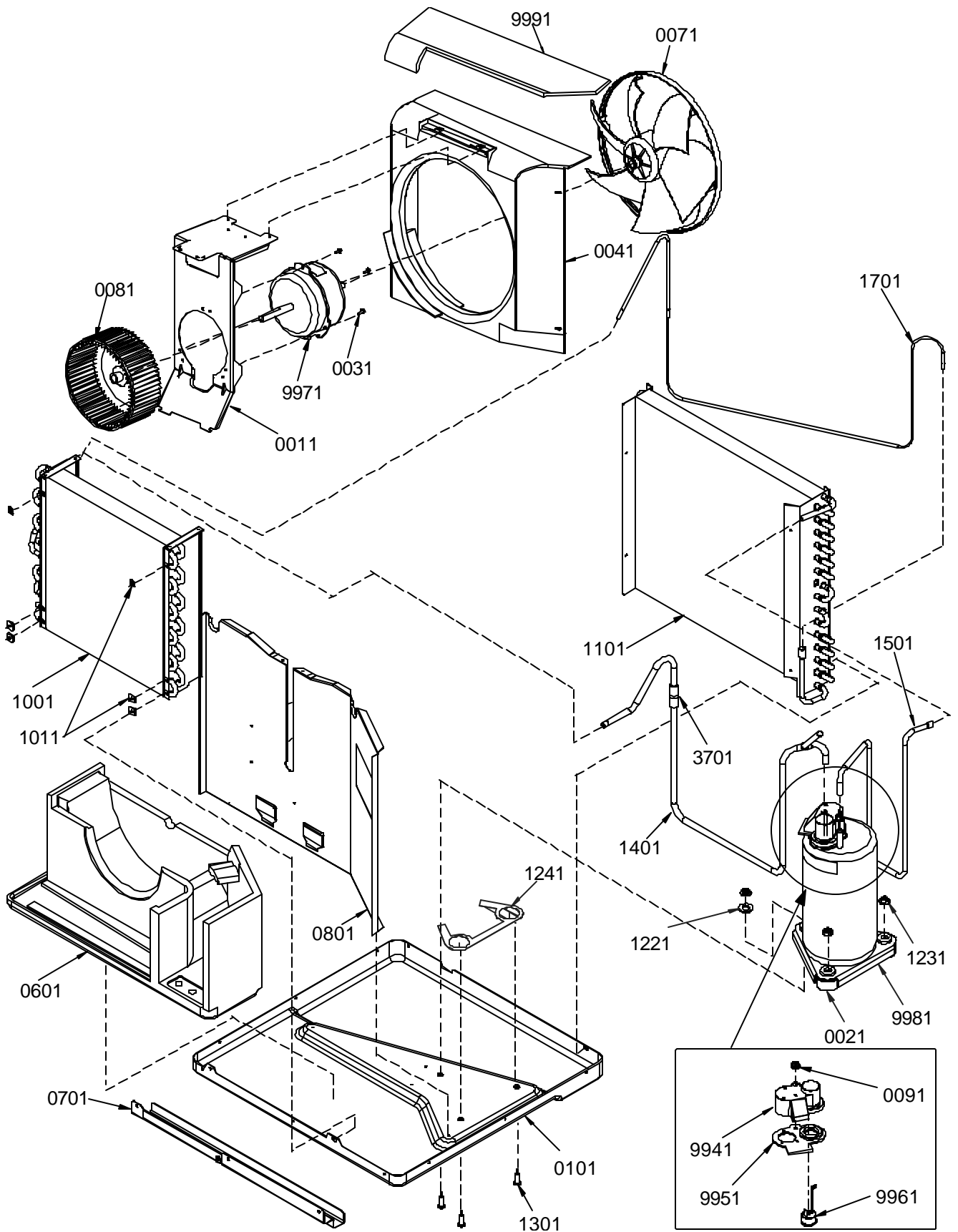
Chassis Assembly



Chassis Assembly

Ref. Part No:	No:	Description:	Ref. Part No:	No:	Description:
<i>Image 1:</i>			Expanded Model and Color Nomenclature		
0011	20051701	FRONT-COMPACT (M3, M4, M5, M6, M7, M8, M9, M10, M11, M12, M13, M14, M15)	M1 - 9M11TA		P1214607R
0021	20052601	LOUVER-HORIZ (M3, M4, M5, M6, M7, M8, M9, M10, M11, M12, M13, M14, M15) (QTY 2)	M2 - 9M11TA		P1214612R
0031	20052701	RETAINER-LOUVER (M3, M4, M5, M6, M7, M8, M9, M10, M11, M12, M13, M14, M15)	M3 - 9M12TA		P1214701R
0041	11044001	FAN-PL. COND. (M5, M6, M7, M8)	M4 - 9M12TA		P1230801R
0041	20046501	FAN-PL. COND. (M3, M4, M9, M10, M11, M12, M13, M14, M15)	M5 - 9M32PAE		P1214901R
0071	M0254830	SCREW-TAP-R (M3, M4, M5, M6, M7, M8, M9, M10, M11, M12, M13, M14, M15) (QTY 3)	M6 - B9M32PAE		P1214914R
2401	20055502	SPRING-EXHAUST DOOR (M3, M4, M5, M6, M7, M8, M9, M10, M11, M12, M13, M14, M15)	M7 - 9M32PBE		P1214909R
2601	20051302	DOOR-EXHAUST (M3, M4, M5, M6, M7, M8, M9, M10, M11, M12, M13, M14, M15)	M8 - 9M32PBE		P1230803R
2701	20062703	SCROLL TOP (M11, M12, M13, M14, M15)	M9 - 9M32PCE		P1230816R
2701	20062701	SCROLL-EVAP TOP (M3, M4, M5, M6, M7, M8, M9, M10)	M10 - B9M32PCE		P1214918R
2801	20055606	ACTUATOR-EXH DR (M3, M4, M5, M6, M7, M8, M9, M10, M11, M12, M13, M14, M15)	M11 - 9M32PAEH		P1214902R
2901	20111201	LOUVER-VERT (M3, M4, M5, M6, M7, M8, M9, M10, M11, M12, M13, M14, M15) (QTY 3)	M12 - B9M32PAEH		P1214905R
3001	20051404	GANG BAR-VERT LOUVER (M3, M4, M5, M6, M7, M8, M9, M10, M11, M12, M13, M14, M15)	M13 - B9M32PAEH		P1214906R
3301	20051502	BASE-PIVOT (M3, M4, M5, M6, M7, M8, M9, M10, M11, M12, M13, M14, M15) (QTY 2)	M14 - 9M32PBEH		P1214910R
3801	20075601	CLIP-T'STAT (M3, M4)	M15 - 9M32PBEH		P1230805R
3801	20065303	T'STAT BULB HLDR (M5, M6, M7, M8, M9, M10, M11, M12, M13, M14, M15)			
3901	20065401	WIRE FORM-BL R (M11, M12, M13, M14, M15)			
3951	20068702	PANEL-RIGHT SIDE (M3, M4, M5, M6, M7, M8, M9, M10, M11, M12, M13, M14, M15)			
4001	10839706	GASKET-URETHANE (M3, M4) (QTY AR)			
4051	10839712	GASKET-URETHANE (M3, M4, M5, M6, M7, M8, M9, M10) (QTY AR)			
4101	20090601	COVER-TOP (M3, M4, M5, M6, M7, M8, M9, M10, M11, M12, M13, M14, M15)			
4311	10839710	GASKET-URETHANE (M3, M4) (QTY AR)			
5011	M0219730	SCREW-SM (M3, M4) (QTY AR)			
5051	10839701	GASKET-URETHANE (M3, M4, M5, M6, M7, M8, M9, M10) (QTY AR)			
5101	20051801	INSERT-COMPACT (M3, M4, M5, M6, M7, M8, M9, M10, M11, M12, M13, M14, M15)			
5201	20064301	FILTER-COMPACT (M3, M4, M5, M6, M7, M8, M9, M10, M11, M12, M13, M14, M15)			
9911	20063401	CONDENSER-SHROUD (M11, M12, M13, M14, M15)			
9941	20061204	WHEEL-BLOWER (M5, M6, M7, M8, M9, M10, M11, M12, M13, M14, M15)			
9941	20061202	WHEEL-PL. BLOW (M3, M4)			
9961	20059705	MOTOR-FAN 9/10M12TA (M3, M4)			
9961	20059709	MOTOR-FAN-230V COMP (M5, M6, M7, M8, M9, M10, M11, M12, M13, M14, M15)			
9971	20053905	BRACKET-FAN (M3, M4, M5, M6, M7, M8, M9, M10, M11, M12, M13, M14, M15)			
9981	20066401	HEATER (M5, M6, M7, M8, M9, M10)			
9981	20066403	HEATER (M11, M12, M13, M14, M15)			
9991	20065202	SHIELD-HEATER (M5, M6, M7, M8, M9, M10, M11, M12, M13, M14, M15)			

Chassis Assembly



Chassis Assembly

Ref. Part No:	Part No:	Description:	Ref. Part No:	Part No:	Description:
---------------	----------	--------------	---------------	----------	--------------

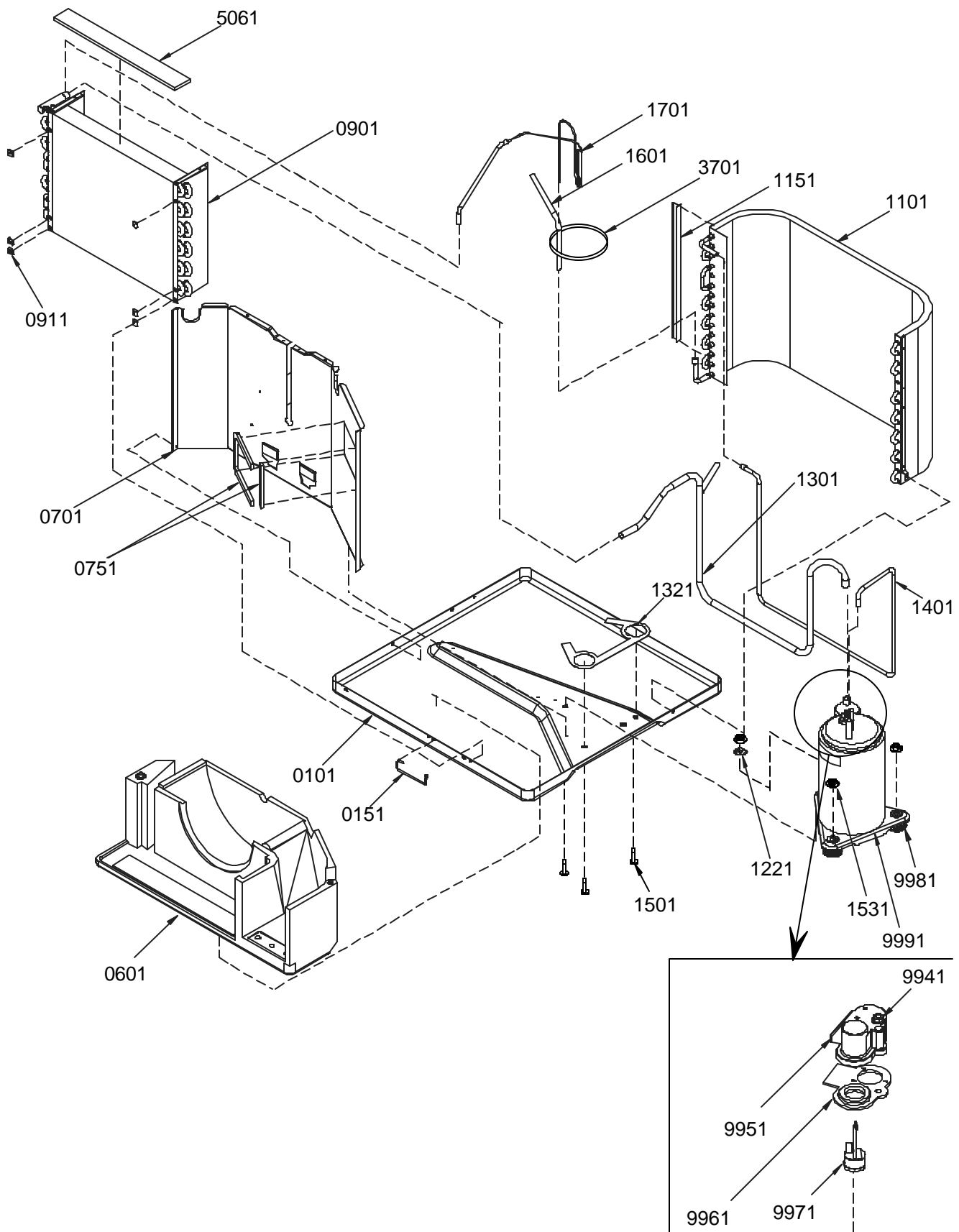
Image 1:

0011	20053906	BRACKET-FAN (M1, M2)
0021	C6466001	GROMMET-COMP (M1, M2) (QTY 3)
0031	M0254830	SCREW-TAP-R (M1, M2) (QTY 3)
0041	20051203	SHROUD-CONDENSER (M1, M2)
0071	20109601	FAN-COND (M1, M2)
0081	20109701	WHEEL-BLOWER (M1, M2)
0091	A9036601	NUT-TERM COVER (M1, M2)
0101	20053703	BASEPAN (M1, M2)
0601	20055303	SCROLL-BLOWER BTM (M1, M2)
0701	20055201	RAIL-BOTTOM (M1, M2)
0801	20053806	PANEL-PARTITION (M1, M2)
1001	20113103	COIL ASSY-EVAP (M1, M2)
1011	M0586001	GROMMET-SCREW (M1, M2) (QTY AR)
1101	20113204	CONDENSER ASSY (M1, M2)
1221	20113001	WASHER-CUP (M1, M2)
1231	20112901	NUT-PALNUT (M1, M2) (QTY AR)
1241	20099501	PROTECTOR-BASEPAN (M1, M2)
1301	20109101	BOLT-SHOULDER (M1, M2) (QTY 3)
1401	20121301	SUCTION WELD (M1, M2)
1501	20119301	TUBE-DISCHARGE (M1, M2)
1701	20121501	CAPILLARY ASSY (M1, M2)
3701	M0321202	TIE-ELEC LG (M1, M2) (QTY AR)
9941	C6470701	COVER-TERM (M1, M2)
9951	B1434901	GASKET-TERM COVER (M1, M2)
9961	D6961667	OVERLOAD (M1, M2)
9971	20109902	MOTOR-FAN (M1)
9971	20109905	MOTOR-FAN (M2)
9981	11101506	COMP-TC RGA5492EXA (M1, M2)
9991	20076902	INSUL COND-SHROUD (M1, M2)

Expanded Model and Color Nomenclature

M1 - 9M11TA	P1214607R
M2 - 9M11TA	P1214612R
M3 - 9M12TA	P1214701R
M4 - 9M12TA	P1230801R
M5 - 9M32PAE	P1214901R
M6 - B9M32PAE	P1214914R
M7 - 9M32PBE	P1214909R
M8 - 9M32PBE	P1230803R
M9 - 9M32PCE	P1230816R
M10 - B9M32PCE	P1214918R
M11 - 9M32PAEH	P1214902R
M12 - B9M32PAEH	P1214905R
M13 - B9M32PAEH	P1214906R
M14 - 9M32PBEH	P1214910R
M15 - 9M32PBEH	P1230805R

Chassis Assembly



Chassis Assembly

Ref. Part No:	No:	Description:
<i>Image 1:</i>		
0101	20070805	BASEPAN (M3, M5, M6, M7)
0101	20070807	BASEPAN (M4, M8, M9, M10)
0151	20088701	HANDLE-BASEPAN (M3, M4, M5, M6, M7, M8, M9, M10)
0601	20062601	SCROLL-EVAP BOTTOM (M3, M4, M5, M6, M7, M8, M9, M10)
0701	20062507	PANEL-PARTITION (M3, M4, M5, M6, M7, M8, M9, M10)
0751	10839705	GASKET-URETHANE (M3, M4, M5, M6, M7, M8, M9, M10) (QTY AR)
0901	20062803	EVAPORATOR ASSY (M3, M5, M6, M7)
0901	20111601	EVAPORATOR ASSY (M4, M8, M9, M10)
0911	M0586001	GROMMET-SCREW (M3, M4, M5, M6, M7, M8, M9, M10) (QTY AR)
1101	20073502	CONDENSER ASSY (M3, M4, M5, M6, M7, M8, M9, M10)
1151	20065008	SEAL STRIP-OUTER (M3, M4, M5, M6, M7, M8, M9, M10) (QTY AR)
1221	20113001	WASHER-CUP (M4)
1301	20068903	SUCTION WELD (M3, M5, M6, M7)
1301	20118801	SUCTION WELD (M4, M8, M9, M10)
1321	20099502	PROTECTOR-BASEPAN (M3, M5, M6, M7)
1401	20076702	TUBE-DISCHARGE (M3, M5, M6, M7)
1401	20076703	TUBE-DISCHARGE (M4, M8, M9, M10)
1501	20109101	BOLT-SHOULDER (M3, M4, M5, M6, M7, M8, M9, M10) (QTY 3)
1531	20112901	NUT-PALNUT (M3, M4, M5, M6, M7, M8, M9, M10) (QTY 3)
1601	B1394401	STRAINER (M3, M4, M5, M6, M7, M8, M9, M10)
1701	20089102	CAPILLARY ASSY (M3, M5, M6, M7)
1701	20111801	CAPILLARY ASSY (M4, M8, M9, M10)
3701	M0321202	TIE-ELEC LG (M3, M4, M5, M6, M7, M8, M9, M10) (QTY AR)
5061	10839816	GASKET-1/4 X 1.75 (M3, M4, M5, M6, M7, M8, M9, M10)
9941	A9036601	NUT-TERM COVER (M3, M4, M5, M6, M7, M8, M9, M10)
9951	C6470701	COVER-TERM (M3, M4, M5, M6, M7, M8, M9, M10)
9961	B1434901	GASKET-TERM COVER (M3, M4, M5, M6, M7, M8, M9, M10)
9971	D6961630	OVERLOAD (M3, M4, M5, M6, M7, M8, M9, M10)
9981	A3448601	GROMMET (M3, M5, M6, M7) (QTY 3)
9981	C6466001	GROMMET-COMP (M4, M8, M9, M10) (QTY 3)
9991	11101506	COMP-TC RGA5492EXA (M4)
9991	11101509	COMP-TC RGA5492EXD (M8, M9, M10)
9991	D9831802	COMP-TC RKA5490EXA (M3)
9991	D9831806	COMP-TC RKA5490EXD (M5, M6, M7)
NS	10839706	GASKET-URETHANE (M5, M6, M7, M8, M9, M10) (QTY AR)
NS	10839716	GASKET-URETHANE (M3, M4, M5, M6, M7, M8, M9, M10) (QTY AR)

Ref. Part No:	No:	Description:
---------------	-----	--------------

Expanded Model and Color Nomenclature

M1 - 9M11TA	P1214607R
M2 - 9M11TA	P1214612R
M3 - 9M12TA	P1214701R
M4 - 9M12TA	P1230801R
M5 - 9M32PAE	P1214901R
M6 - B9M32PAE	P1214914R
M7 - 9M32PBE	P1214909R
M8 - 9M32PBE	P1230803R
M9 - 9M32PCE	P1230816R
M10 - B9M32PCE	P1214918R
M11 - 9M32PAEH	P1214902R
M12 - B9M32PAEH	P1214905R
M13 - B9M32PAEH	P1214906R
M14 - 9M32PBEH	P1214910R
M15 - 9M32PBEH	P1230805R

Chassis Assembly

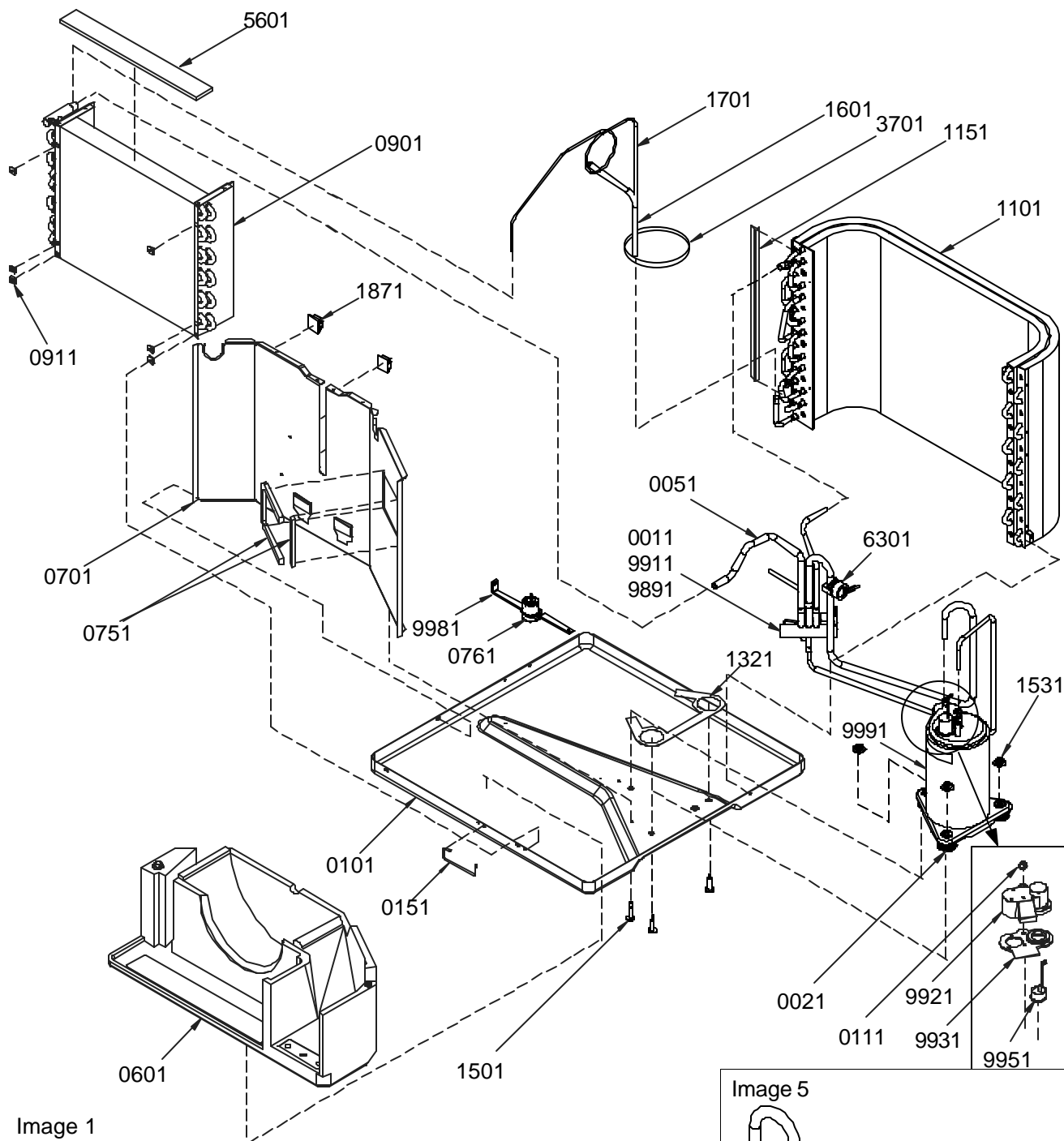


Image 1

Image 2

Image 3

Image 4

Image 5

0022

0013
0023

0044

0035

Chassis Assembly

Ref. Part No:	No:	Description:
<i>Image 1:</i>		
0011	20097701	REV VALVE ASSY (M11, M12, M13, M14, M15)
0021	A3448601	GROMMET (M11, M13, M14) (QTY 3)
0021	C6466001	GROMMET-COMP (M12, M15) (QTY 3)
0051	20104002	TUBE-EVAP WELD (M11, M12, M13, M14, M15)
0101	20070806	BASEPAN (M11, M13, M14)
0101	20070808	BASEPAN-COMPACT (M12, M15)
0111	A9036601	NUT-TERM COVER (M11, M12, M13, M14, M15)
0151	20088701	HANDLE-BASEPAN (M11, M12, M13, M14, M15)
0601	20062602	SCROLL BOTTOM (M11, M12, M13, M14, M15)
0701	20062507	PANEL-PARTITION (M11, M12, M13, M14, M15)
0751	10839705	GASKET-URETHANE (M11, M12, M13, M14, M15) (QTY AR)
0761	20097202	VALVE-BASEPAN (M11, M12, M13, M14, M15)
0901	20098501	EVAPORATOR ASSY (M11, M12, M13, M14, M15)
0911	M0586001	GROMMET-SCREW (M11, M12, M13, M14, M15) (QTY AR)
1101	20098701	COND COIL ASSY (M11, M12, M13, M14, M15)
1151	20065008	SEAL STRIP-OUTER (M11, M12, M13, M14, M15) (QTY AR)
1321	20099502	PROTECTOR-BASEPAN (M11, M13, M14)
1501	20109101	BOLT-SHOULDER (M11, M12, M13, M14, M15) (QTY 3)
1531	20112901	NUT-PALNUT (M11, M12, M13, M14, M15) (QTY 3)
1601	B1394401	STRAINER (M11, M12, M13, M14, M15)
1701	20104501	TUBE-CAPILLARY (M11, M12, M13, M14, M15)
1871	M0104102	CLIP-CORD (M11, M12, M13, M14, M15) (QTY AR)
3701	M0321202	TIE-ELEC LG (M11, M12, M13, M14, M15) (QTY AR)
5601	10839816	GASKET-1/4 X 1.75 (M11, M12, M13)
6301	20097402	T-STAT SWITCH OVER (M11, M13, M14)
9891	10702401	LOCKNUT COIL (M11, M12, M13, M14, M15)
9911	10702202	COIL REVERSING VALVE (M11, M12, M13, M14, M15)
9921	C6470701	COVER-TERM (M11, M12, M13, M14, M15)
9931	B1434901	GASKET-TERM COVER (M11, M12, M13, M14, M15)
9951	D6961664	OVERLOAD (M11, M13, M14)
9951	D6961669	OVERLOAD (M12, M15)
9981	20103701	BRACKET-DR VALVE (M11, M12, M13, M14, M15)
9991	11101509	COMP-TC RGA5492EXD (M12, M15)
9991	D9831806	COMP-TC RKA5490EXD (M11, M13, M14)

<i>Image 2:</i>		
0022	20098001	DISCHARGE TUBE (M11, M12, M13, M14, M15)

<i>Image 3:</i>		
0013	20098302	EVAP TUBE (M11, M12, M13, M14, M15)
0023	A4528923	TUBE-PROCESS (M11, M12, M13, M14, M15)

<i>Image 4:</i>		
0044	20099301	TUBE-COND (M11, M12, M13, M14, M15)

<i>Image 5:</i>		
0035	20098101	SUCTION TUBE (M11, M12, M13, M14, M15)

Ref. Part No:	No:	Description:
---------------	-----	--------------

Expanded Model and Color Nomenclature

M1 - 9M11TA	P1214607R
M2 - 9M11TA	P1214612R
M3 - 9M12TA	P1214701R
M4 - 9M12TA	P1230801R
M5 - 9M32PAE	P1214901R
M6 - B9M32PAE	P1214914R
M7 - 9M32PBE	P1214909R
M8 - 9M32PBE	P1230803R
M9 - 9M32PCE	P1230816R
M10 - B9M32PCE	P1214918R
M11 - 9M32PAEH	P1214902R
M12 - B9M32PAEH	P1214905R
M13 - B9M32PAEH	P1214906R
M14 - 9M32PBEH	P1214910R
M15 - 9M32PBEH	P1230805R

Control Assembly

Image 1

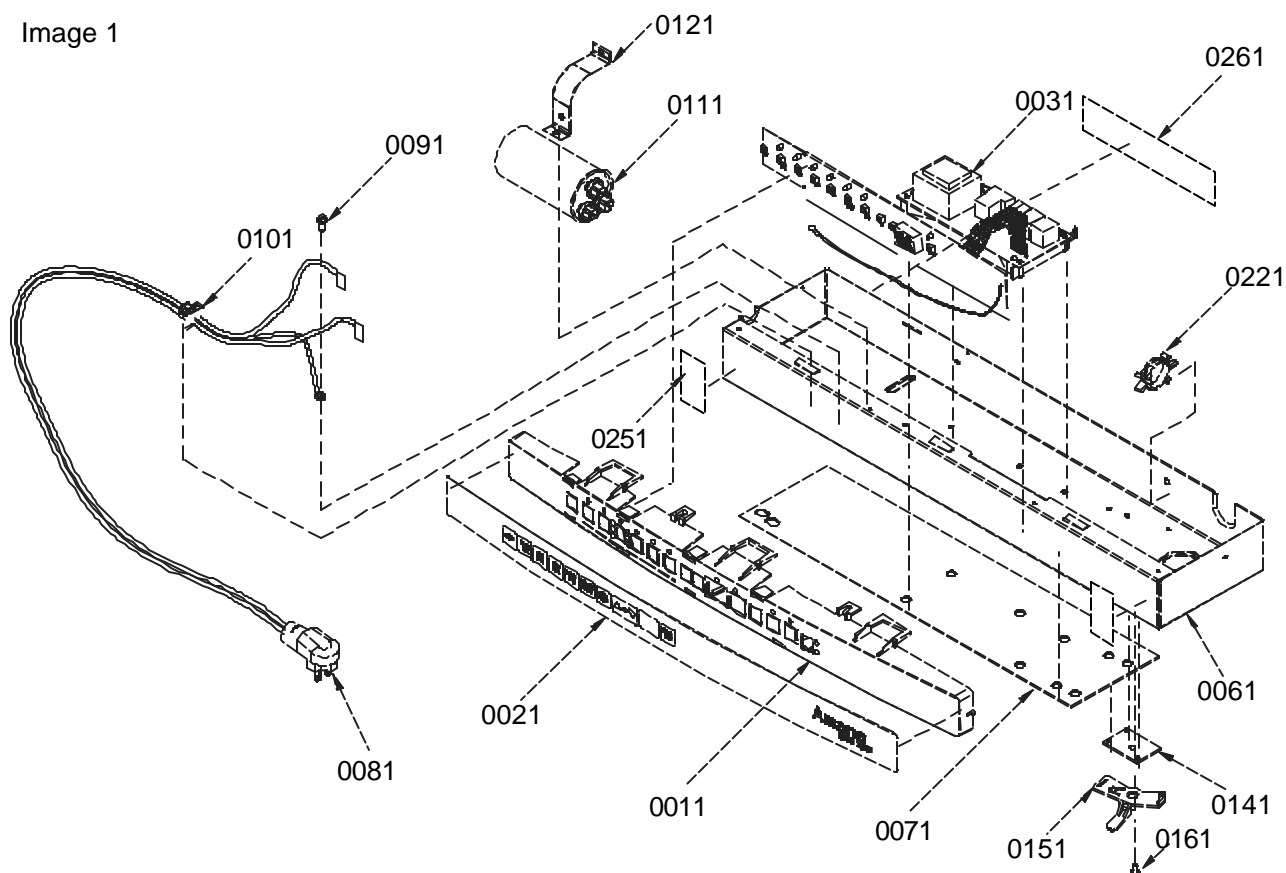
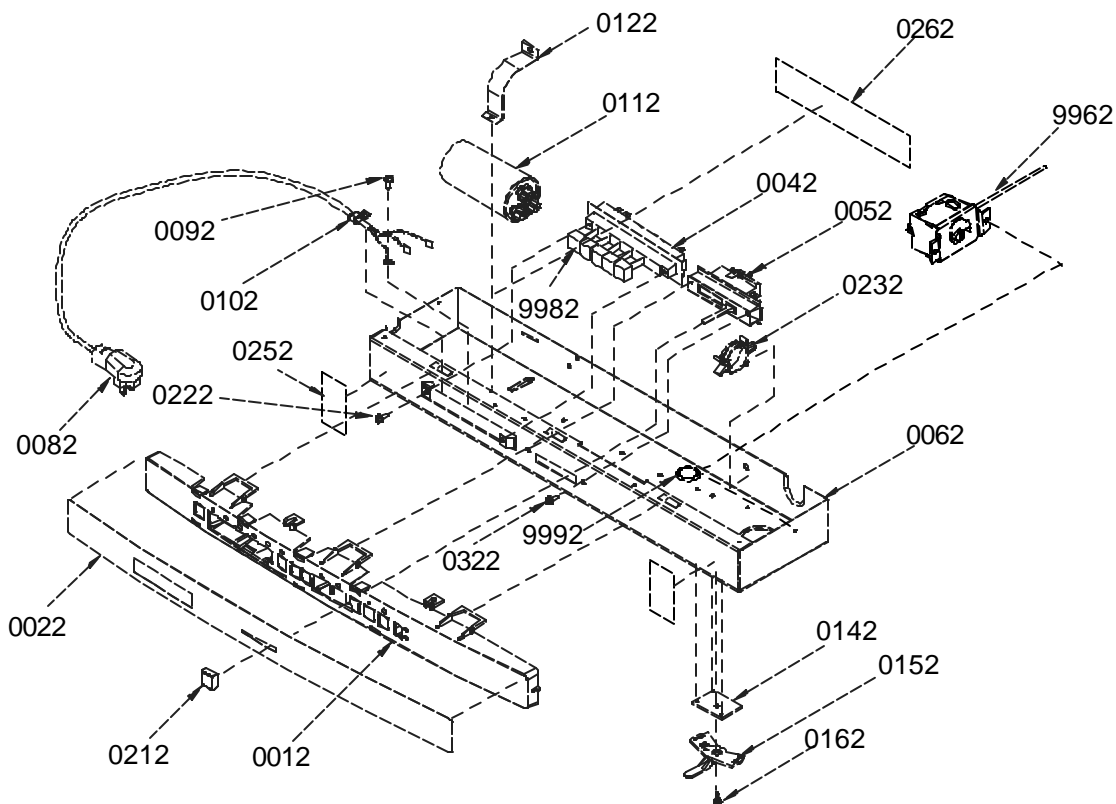


Image 2



Control Assembly

Ref. Part No:	Ref. Part No:	Description:	Description:
<i>Image 1:</i>			
0011 20052801	0222 M0216515	HOUSING-CONTROL (M1, M2)	SCREW-SM (M5, M6, M7, M8, M9, M10, M11, M12, M13, M14, M15) (QTY AR)
0011 20052901	0232 M0118702	HOUSING-CONTROL (M3, M4)	CLIP-GUIDE (M5, M6, M7, M8, M9, M10, M11, M12, M13, M14, M15)
0021 20054101	0252 10839820	OVERLAY-COMP-QZ (M3, M4)	GASKET-FOAM (M5, M6, M7, M8, M9, M10, M11, M12, M13, M14, M15) (QTY AR)
0021 20057701	0262 10839803	OVERLAY-PORT-QZ (M1, M2)	GASKET-CROSS LINK (M5, M6, M7, M8, M9, M10, M11, M12, M13, M14, M15) (QTY AR)
0031 20103504	0322 M0202321	BOARD-CONTROL PC (M1, M2)	SCREW-MACH (M5, M6, M7, M8, M9, M10, M11, M12, M13, M14, M15) (QTY AR)
0031 20103501	9962 20113701	BOARD-CONTROL-PC (M3, M4)	SWITCHOVER-T'STAT (M12, M15)
0061 20054601	9982 20113401	BOX-CONTROL (M1, M2)	KNOB-PUSH BUTTON (M5, M6, M7, M8, M9, M10, M11, M12, M13, M14, M15)
0061 20063601	9992 A4554806	BOX-CONTROL (M3, M4)	BUSHING-SNAP (M5, M6, M7, M8, M9, M10, M11, M12, M13, M14, M15)
0071 20069801		INS-CLOSED CELL FOAM (M1, M2)	
0071 20231801		INS-CONTROL BOX (M3, M4)	
0081 20057501		CORD-POWER (M1, M2, M3, M4)	
0091 M0227803		SCREW-TC (M1, M2, M3, M4)	
0101 M0103902		CLAMP-SPEED (M1, M2, M3, M4)	
0111 D6789048		CAPACITOR-POLY (M3)	
0111 D6789049		CAPACITOR-POLY (M4)	
0111 D6789062		CAPACITOR-ROUND (M1, M2)	
0121 C6300511		STRAP-CAPACITOR (M1, M2, M3, M4)	
0141 20050701		BLOCK-INDEXING,VENT (M1, M2, M3, M4)	
0151 20050801		LEVER-CONTROL,VENT (M1, M2, M3, M4)	
0161 M0245104		SCREW-SM (M1, M2, M3, M4)	
0221 M0118702		CLIP-GUIDE (M1, M2, M3, M4)	
0251 10839820		GASKET-FOAM (M3, M4) (QTY AR)	
0261 10839803		GASKET-CROSS LINK (M3, M4) (QTY AR)	
NS 11154403		PTCR-START DEVICE (M3)	
NS M0216519		SCREW-SM (M3)	
<i>Image 2:</i>			
0012 20052905		HOUSING-CONTROL (M5, M6, M7, M8, M9, M10, M11, M12, M13, M14, M15)	
0022 20056801		OVERLAY-HEAT/COOL (M5, M6, M7, M8, M9, M10, M11, M12, M13, M14, M15)	
0042 20066601		SWITCH-PUSH BUTTON (M5, M6, M7, M8, M9, M10)	
0042 20066701		SWITCH-PUSH BUTTON (M11, M12, M13, M14, M15)	
0052 20070402		THERMOSTAT (M5, M6, M7, M8, M9, M10, M11, M12, M13, M14, M15)	
0062 20063612		BOX-CONTROL (M5, M6, M7, M8, M9, M10, M11, M12, M13, M14, M15)	
0082 20057503		CORD-POWER (M5, M6, M7, M8, M9, M10, M11, M12, M13, M14, M15)	
0092 M0227803		SCREW-TC (M5, M6, M7, M8, M9, M10, M11, M12, M13, M14, M15)	
0102 M0103906		CLAMP-SPEED (M5, M6, M7, M8, M9, M10, M11, M12, M13, M14, M15)	
0112 D6879821		CAPACITOR (M8, M9, M10)	
0112 D6789048		CAPACITOR-POLY (M5, M6, M7, M11, M13, M14)	
0112 D6789054		CAPACITOR-ROUND (M12, M15)	
0122 C6300511		STRAP-CAPACITOR (M5, M6, M7, M8, M9, M10, M11, M12, M13, M14, M15)	
0142 20050701		BLOCK-INDEXING,VENT (M5, M6, M7, M8, M9, M10, M11, M12, M13, M14, M15)	
0152 20050801		LEVER-CONTROL,VENT (M5, M6, M7, M8, M9, M10, M11, M12, M13, M14, M15)	
0162 M0245104		SCREW-SM (M5, M6, M7, M8, M9, M10, M11, M12, M13, M14, M15)	
0212 20066001		KNOB (M5, M6, M7, M8, M9, M10, M11, M12, M13, M14, M15)	

Expanded Model and Color Nomenclature

M1 - 9M11TA	P1214607R
M2 - 9M11TA	P1214612R
M3 - 9M12TA	P1214701R
M4 - 9M12TA	P1230801R
M5 - 9M32PAE	P1214901R
M6 - B9M32PAE	P1214914R
M7 - 9M32PBE	P1214909R
M8 - 9M32PBE	P1230803R
M9 - 9M32PCE	P1230816R
M10 - B9M32PCE	P1214918R
M11 - 9M32PAEH	P1214902R
M12 - B9M32PAEH	P1214905R
M13 - B9M32PAEH	P1214906R
M14 - 9M32PBEH	P1214910R
M15 - 9M32PBEH	P1230805R