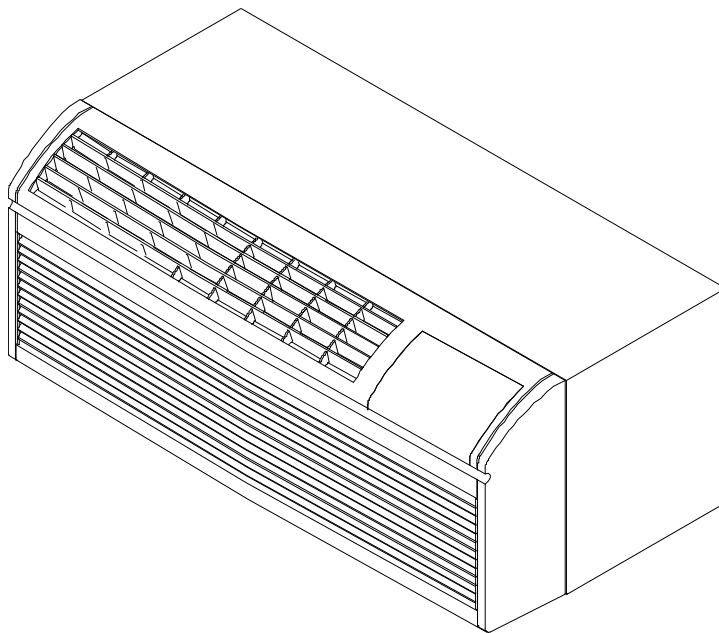


Models and manufacturing  
numbers in this manual

PTC093A35BB	P1225501R
PTC094A35BB	P1225506R
PTC123A35BB	P1225505R
PTC123A50BB	P1225502R

# Parts

## Package Terminal Air Conditioners (PTAC)



This manual is to be used by qualified appliance technicians only. Amana does not assume any responsibility for property damage or personal injury for improper service procedures done by an unqualified person.

***Amana***

RP4210010  
Revision 0  
June 1998

## Important Information

---

Amana is not responsible for personal injury or property damage resulting from improper service. Review all service information before beginning repairs.

Warranty service must be performed by an authorized technician, using authorized factory parts. If service is required after the warranty expires, Amana also recommends contacting an authorized technician and using authorized factory parts. Locate an authorized technician by calling 800-NATLSVC (800-628-5782).

For assistance within the U.S.A. contact:

Consumer Affairs Department  
Amana  
2800 220th Trail  
PO Box 8901  
Amana IA 52204-0001  
319-622-5511--Telephone  
319-622-2977--Facsimile

For assistance outside the U.S.A. contact:

International Division  
Amana  
2800 220th Trail  
PO Box 8901  
Amana IA 52204-0001  
USA  
319-622-5511--Telephone  
319-622-8595--Facsimile

# Index

Functional Parts List .....	5
Illustration and Parts .....	6 - 17

*Views shown are for parts illustrations only, not servicing procedures*

### Text Codes:

AR - As Required

0000 - Not Shown

QTY - Quantity Example (QTY 3) (If Quantity not shown, Quantity = 1)

M - Model Example (M1) (If M Code not shown, then part is used on all Models)

### Expanded Model and Color Nomenclature:

Example	
M1 - Model#1	P _____
M2 - Model#2	P _____
M3 - Model#3	P _____



# Functional Parts

## Part

## No: Description:

---

B1160701	BOARD-TERM
D6879821	CAPACITOR (M1)
D6879850	CAPACITOR (M2, M3)
D6879847	CAPACITOR-ROUND (M4)
D6985807	COMP-PN 2P17S3R236A (M2, M3)
D6887711	COMP-PN 2R13S3R236A (M1)
D6887712	COMP-PN 2R13S3R276A (M4)
11114501	CORD-250V 20A (M1, M3)
11114601	CORD-250V 30A (M2)
11114701	CORD-277V-20A (M4)
11046703	DISC-THERMOSTAT (M1, M4)
11046702	DISC-THERMOSTAT (M2, M3)
A3410403	FUSE-20A (M4)
M0804204	FUSE-GLASS
11116203	HTR 3 3.5KW ASSY (M1, M3)
11177801	HTR 3 5.0 KW ASSY (M2)
11116208	HTR 4 3.7 KW ASSY (M4)
11172801	MOTOR
D6961642	OVERLOAD (M4)
D6961612	OVERLOAD (M2, M3)
D6961639	OVERLOAD (M1)
11043301	PC BOARD
C8873932	RELAY
C8873917	RELAY (M2)
B1337701	SWITCH-PADDLE
B1158414	TSTAT-DISC TYPE (M4)
B1158415	TSTAT-DISC TYPE (M4)
B1158418	TSTAT-DISC TYPE (M2)
B1158411	TSTAT-DISC TYPE (M1, M3)
B1158410	TSTAT-DISC TYPE (M1, M3)
B1158417	TSTAT-DISC TYPE (M2)
B1378501	XFMR (M1, M2, M3)
11172101	XFMR (M4)

### SPECIAL PARTS

11115801	INSTR-CHAS INSTAL
11113301	MANUAL-OWNERS
RP4210010	MANUAL-PARTS

### Expanded Model and Color Nomenclature

M1 - PTC093A35BB	P1225501R
M2 - PTC123A50BB	P1225502R
M3 - PTC123A35BB	P1225505R
M4 - PTC094A35BB	P1225506R

# Front/Chassis

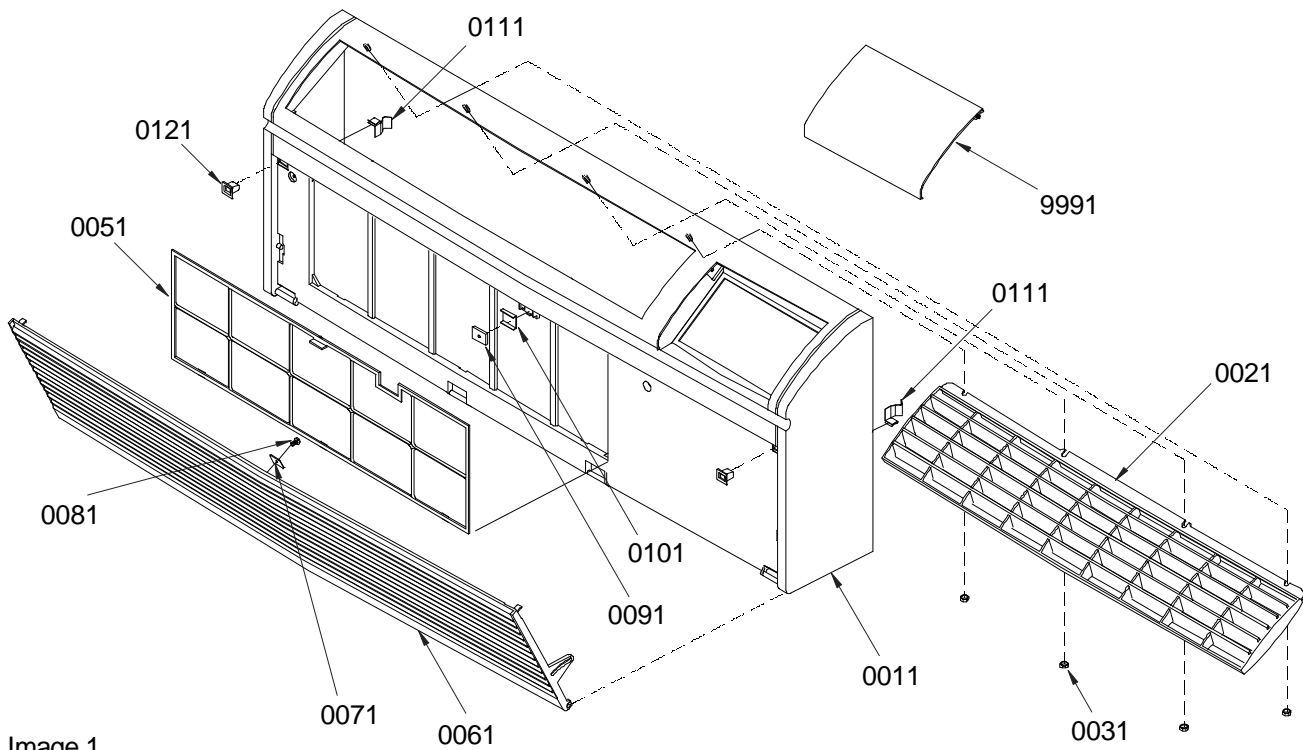
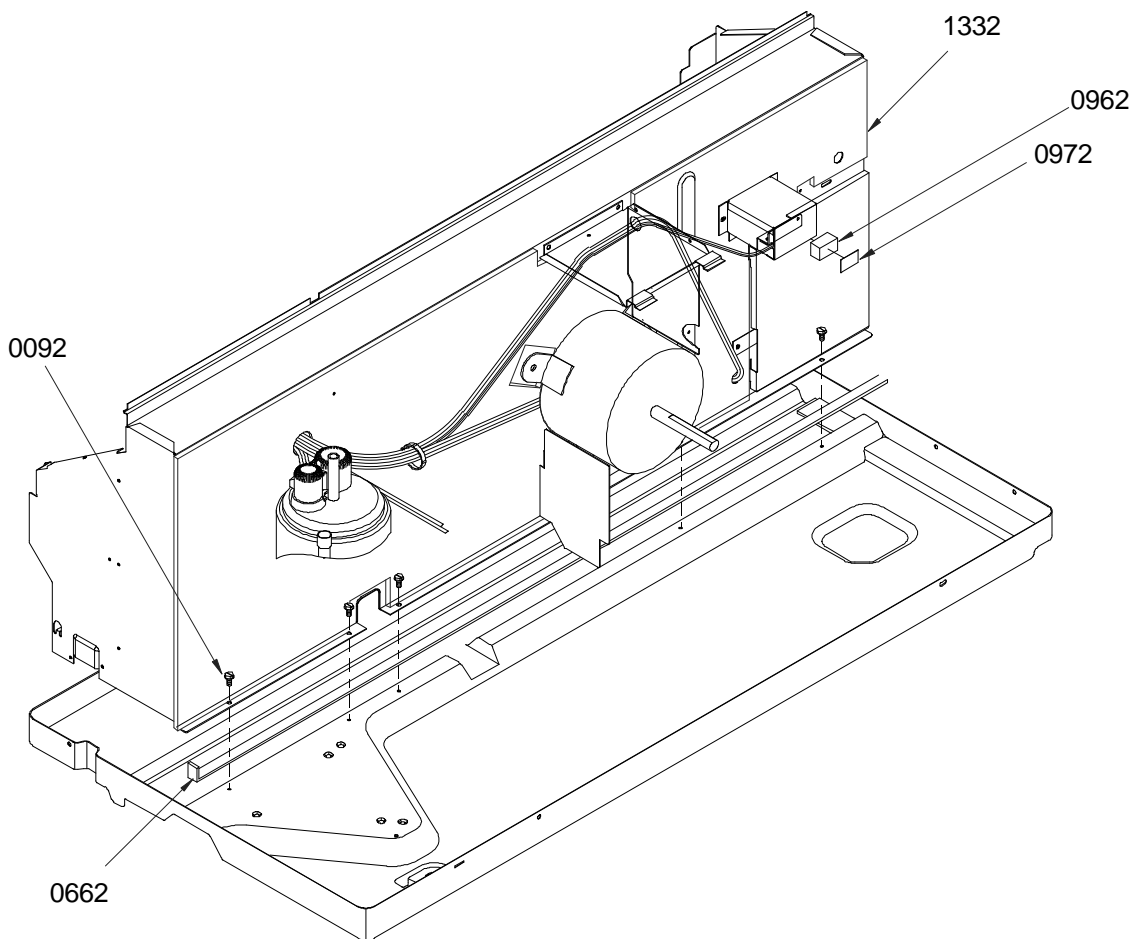


Image 1

Image 2



# Front/Chassis

Ref. No:	Part No:	Description:	Ref. No:	Part No:	Description:
----------	----------	--------------	----------	----------	--------------

*Image 1*

0011	11042701	FRONT
0021	11167401	GRILLE-DISCHARGE
0031	M0293604	PALNUT (QTY 4)
0051	11045201	FILTER
0061	11042602	GRILLE-INTAKE
0071	11047101	STRIKE
0081	M0253217	SCREW-TF
0091	11047301	MAGNET
0101	11047201	HOLDER-MAGNET
0111	11045102	CLIP-SIDE (QTY 2)
0121	10690002	DOOR CATCH ASSY (QTY 2)
9991	11143301	DOOR ASSY-AMANA

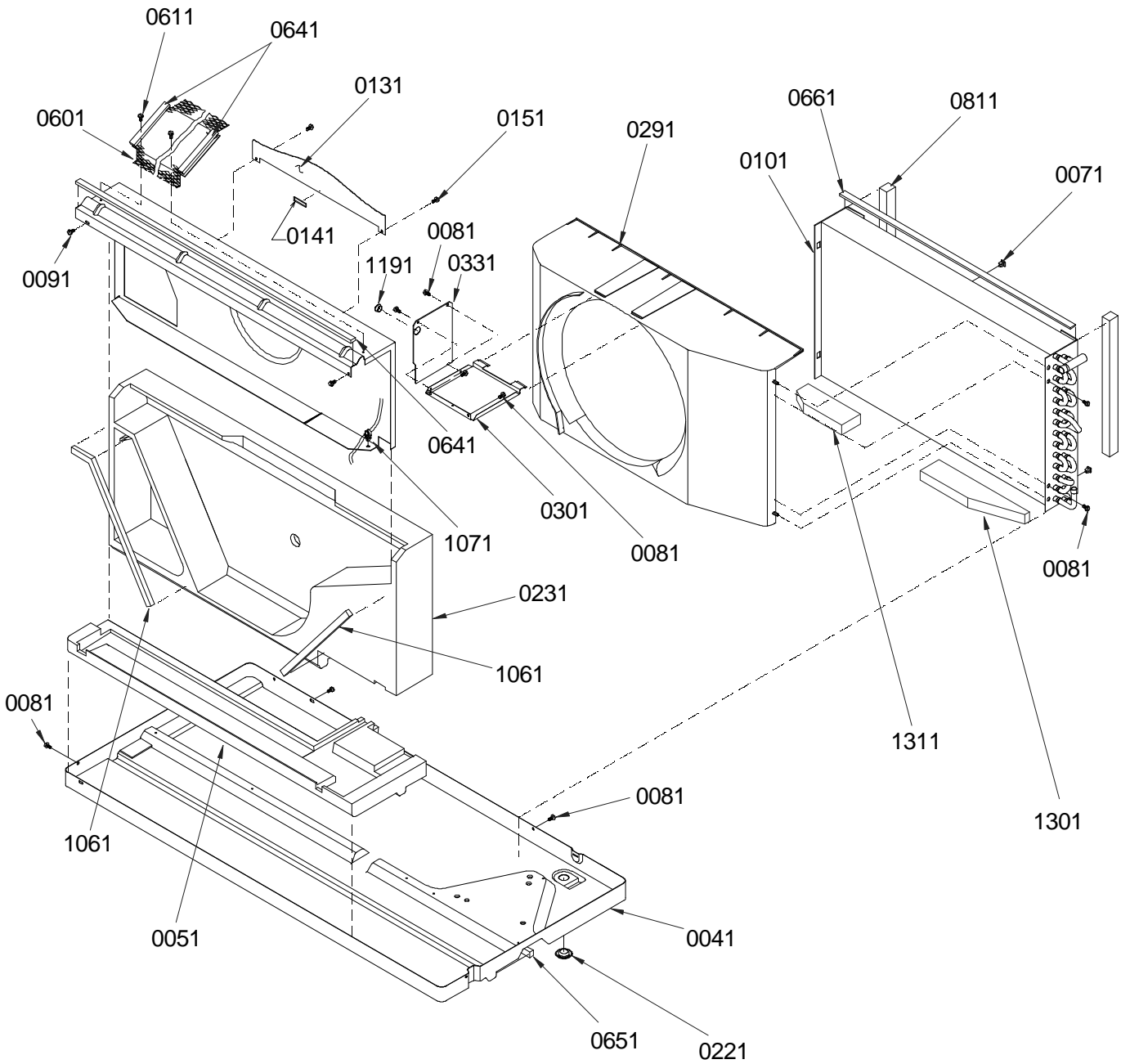
*Image 2*

0092	M0216716	SCREW-SM (QTY AR)
0662	10839803	GASKET-CROSS LINK (QTY AR)
0962	11178201	INSUL
0972	11178301	BUMPER
1332	20208601	INSUL-PARTITION PNL

Expanded Model and Color Nomenclature

M1 - PTC093A35BB	P1225501R
M2 - PTC123A50BB	P1225502R
M3 - PTC123A35BB	P1225505R
M4 - PTC094A35BB	P1225506R

# Chassis



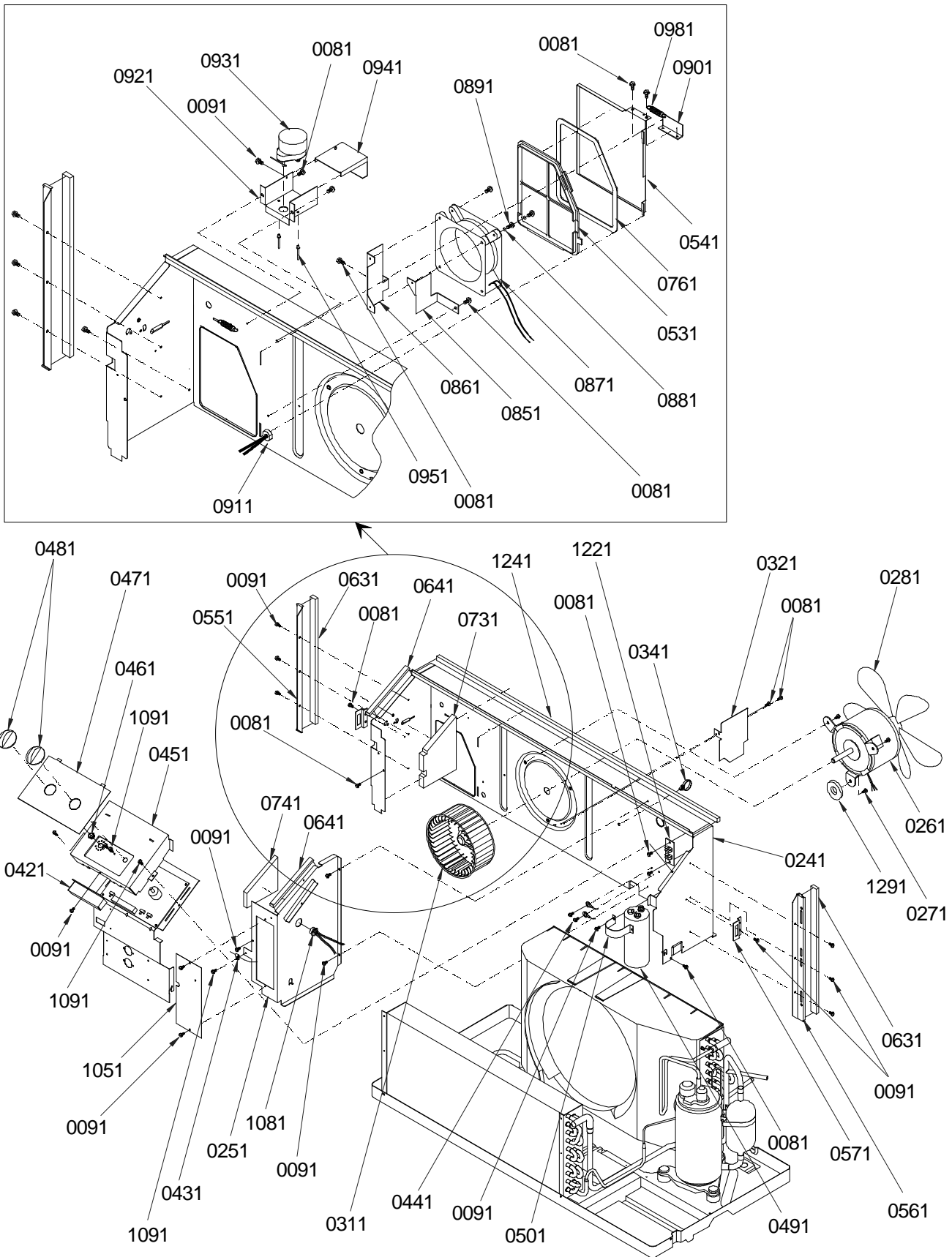
# Chassis

Ref. No:	Part No:	Description:	Ref. No:	Part No:	Description:
<i>Image 1</i>					
0041	11042507	BASEPAN-PNT			
0051	11044702	PAD-EVAPORATOR			
0071	A3315701	GROMMET (QTY AR)			
0081	M0211216	SCREW-SM (QTY AR)			
0091	M0216716	SCREW-SM (QTY AR)			
0101	20007503	COND ASSY (M1, M2, M3)			
0101	20007503	COND ASSY (M4)			
0131	11043902	BLOW INTK EXT-PNT			
0141	10839722	GASKET-URETHANE			
0151	M0216716	SCREW-SM (QTY AR)			
0221	A3080003	PLUG-BUTTON			
0231	11045801	SCROLL-BLOWER			
0291	11167301	SHROUD-CONDENSER			
0301	11044201	BRACE-TIE			
0331	11046501	BAFFLE-TOP			
0601	11123905	SCREEN-DISCH			
0611	M0204517	SCREW-SM STL ZINC (QTY AR)			
0641	10839705	GASKET-URETHANE (QTY AR)			
0651	10839808	GASKET-FOAM (QTY AR)			
0661	10839803	GASKET-CROSS LINK (QTY AR)			
0811	10839712	GASKET-URETHANE (QTY AR)			
1061	10839716	GASKET-URETHANE (QTY AR)			
1071	M0120801	CLIP-GUIDE			
1191	A4554812	SNAP BUSHING			
1301	20189701	INSUL-COND RH			
1311	20189801	INSUL-COND LH			

## Expanded Model and Color Nomenclature

M1 - PTC093A35BB	P1225501R
M2 - PTC123A50BB	P1225502R
M3 - PTC123A35BB	P1225505R
M4 - PTC094A35BB	P1225506R

# Chassis



# Chassis

Ref. Part No:	Part No:	Description:	Ref. Part No:	Part No:	Description:
<i>Image 1</i>			Expanded Model and Color Nomenclature		
0081	M0211216	SCREW-SM (QTY AR)	M1 - PTC093A35BB	P1225501R	
0091	M0216716	SCREW-SM (QTY AR)	M2 - PTC123A50BB	P1225502R	
0241	11045502	PARTITION PANEL	M3 - PTC123A35BB	P1225505R	
0251	11167503	PANEL-MID PART	M4 - PTC094A35BB	P1225506R	
0261	11114903	MOTOR-FAN (M2, M3)			
0261	11114907	MOTOR-FAN (M1)			
0261	11114908	MOTOR-FAN (M4)			
0271	M0224956	SCREW-TAP R (QTY 3)			
0281	20046501	FAN-PL. COND.			
0311	11044101	WHEEL-BLOWER			
0321	11045402	COND INLET BAFF-PNT			
0341	M0118702	CLIP-GUIDE			
0421	11045601	COVER-TERM BLOCK			
0431	M0108104	CLAMP-TUBE			
0441	M0227803	SCREW-TC (QTY AR)			
0451	11044401	COVER-CONTROL PANEL			
0461	M0117902	CLIP-TUBULAR			
0471	20005701	PLATE-ESC			
0481	11042902	KNOB-CONTROL (QTY 2)			
0491	D6879821	CAPACITOR (M1)			
0491	D6879850	CAPACITOR (M2, M3)			
0491	D6879847	CAPACITOR-ROUND (M4)			
0501	C6300502	STRAP-CAPACITOR			
0531	11046201	FILTER-VENT			
0541	11046102	DOOR-VENT			
0551	11044902	SEAL-L SIDE			
0561	11044901	SEAL-R SIDE			
0571	11191702	BRKT-PART PAN (QTY 2)			
0631	10839807	GASKET-CROSS LINK (QTY AR)			
0641	10839705	GASKET-URETHANE (QTY AR)			
0731	11122901	INSUL-LEFT			
0741	11123001	INSUL-RIGHT			
0761	10839810	GASKET-CROSS LINK (QTY AR)			
0851	11135801	BRKT-R FAN			
0861	11145801	BRKT-L FAN			
0871	11149201	FAN-MUFFIN			
0881	M0272802	WASHER-LOCK (QTY 2)			
0891	M0211011	SCREW-SM (QTY AR)			
0901	11166301	BRKT-POWER VENT			
0911	M0370005	RELIEF-STRAIN			
0921	11166101	BRKT-MOTOR			
0931	11172801	MOTOR			
0941	11166201	COVER-BRKT			
0951	A4539606	RIVET-POP (QTY AR)			
0981	11166401	SPRING-EXTENSION			
1051	11167602	COVER-ACCESS			
1081	A4554801	BUSHING-SNAP			
1091	M0216529	SCREW-SM (QTY AR)			
1221	B1160701	BOARD-TERM			
1241	10839814	GASKET-FOAM (QTY AR)			
1291	M0270543	WASHER-FLAT			

# Compressor/Tubing

Image 1

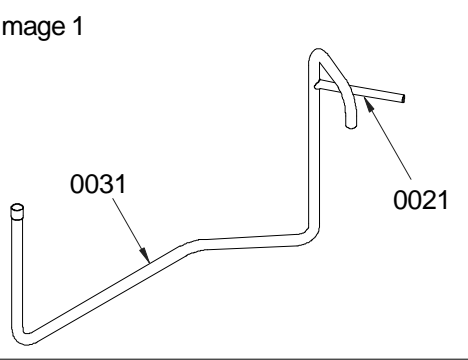
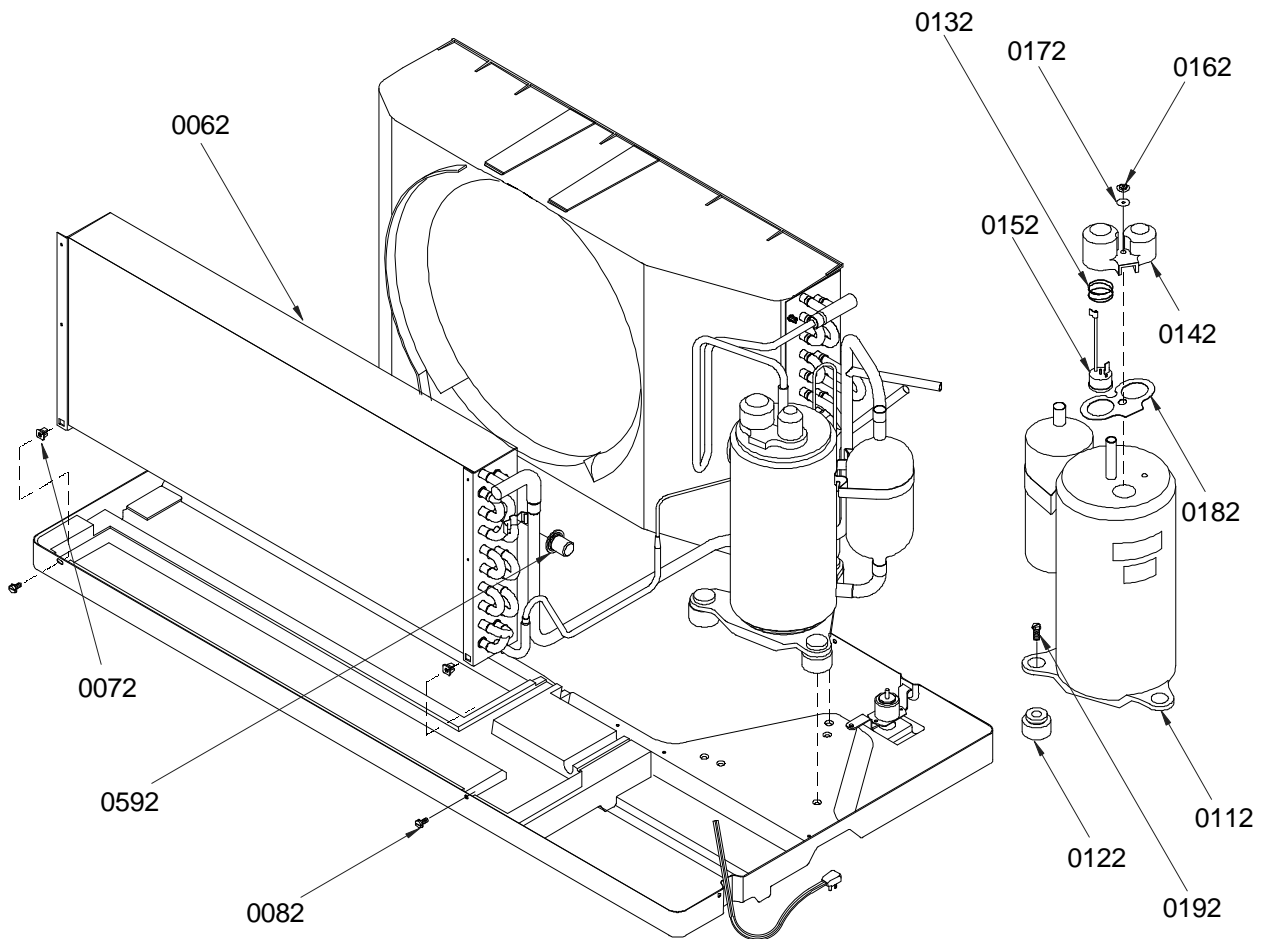
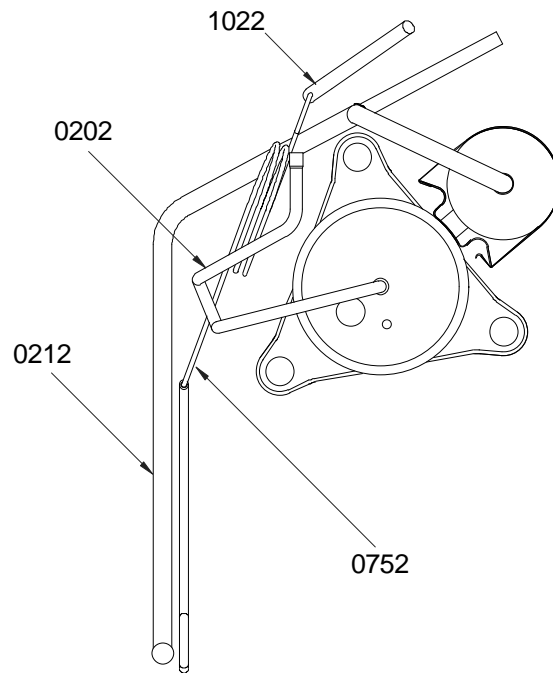


Image 2



# Compressor/Tubing

Ref. No:	Part No:	Description:	Ref. No:	Part No:	Description:
----------	----------	--------------	----------	----------	--------------

*Image 1*

0000	M0211345	SCREW-SM (QTY AR)
0021	A4528920	TUBE-PROCESS (M1, M4)
0021	A4528927	TUBE-PROCESS (M2, M3)
0031	11144601	TUBE-SUCTION (M2, M3)
0031	11194301	TUBE-SUCTION (M1, M4)

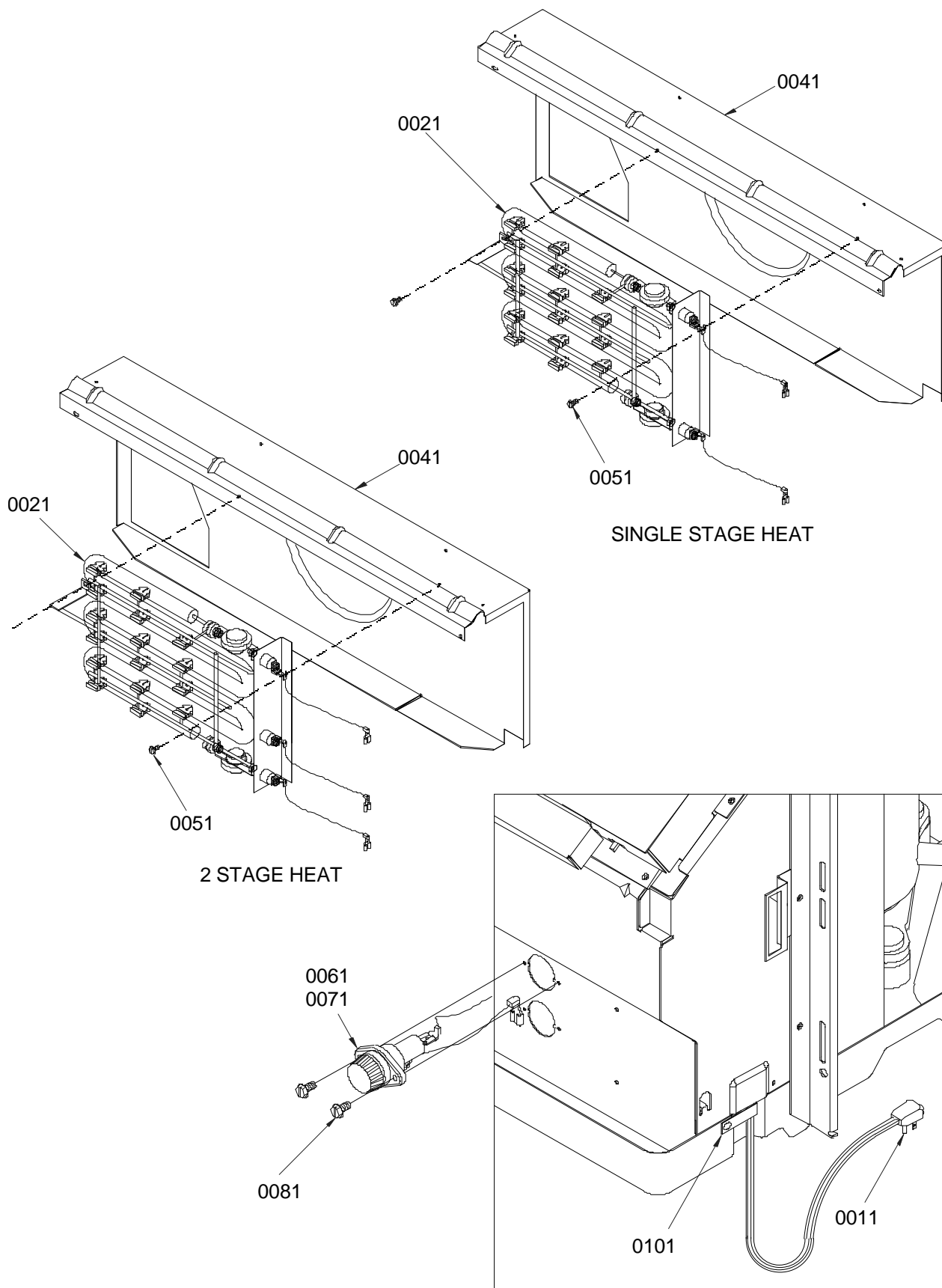
*Image 2*

0062	11165603	EVAP ASSY (M2, M3)
0062	11165703	EVAP ASSY (M1, M4)
0072	A3315701	GROMMET (QTY AR)
0082	M0211216	SCREW-SM (QTY AR)
0112	D6985807	COMP-PN 2P17S3R236A (M2, M3)
0112	D6887711	COMP-PN 2R13S3R236A (M1)
0112	D6887712	COMP-PN 2R13S3R276A (M4)
0122	A3448601	GROMMET (M2, M3) (QTY 3)
0122	A4622801	GROMMET (M1, M4) (QTY 3)
0132	A3436901	SPRING-OVERLOAD
0142	10329001	COVER-TERM
0152	D6961612	OVERLOAD (M2, M3)
0152	D6961639	OVERLOAD (M1)
0152	D6961642	OVERLOAD (M4)
0162	A3436601	NUT-TERM COVER
0172	A3436801	GASKET-NUT
0182	A3436701	GASKET-TERM COVER
0192	M0253610	SCREW-SHLDR (M2, M3) (QTY 3)
0192	M0253661	SCREW-SHLDR (M1, M4) (QTY 3)
0202	20228501	TUBE-DISCH (M1, M4)
0202	11180101	TUBE-DISCHARGE (M2, M3)
0212	11144501	SUCTION TUBE WELD (M2, M3)
0212	11194501	SUCTION TUBE WELD (M1, M4)
0592	11046702	DISC-THERMOSTAT (M2, M3)
0592	11046703	DISC-THERMOSTAT (M1, M4)
0752	11168202	CAPILLARY WELD (M1, M4)
0752	11171505	CAPILLARY WELD (M2, M3)
1022	B1394401	STRAINER

Expanded Model and Color Nomenclature

M1 - PTC093A35BB	P1225501R
M2 - PTC123A50BB	P1225502R
M3 - PTC123A35BB	P1225505R
M4 - PTC094A35BB	P1225506R

# Heater



# Heater

Ref. No:	Part No:	Description:	Ref. No:	Part No:	Description:
----------	----------	--------------	----------	----------	--------------

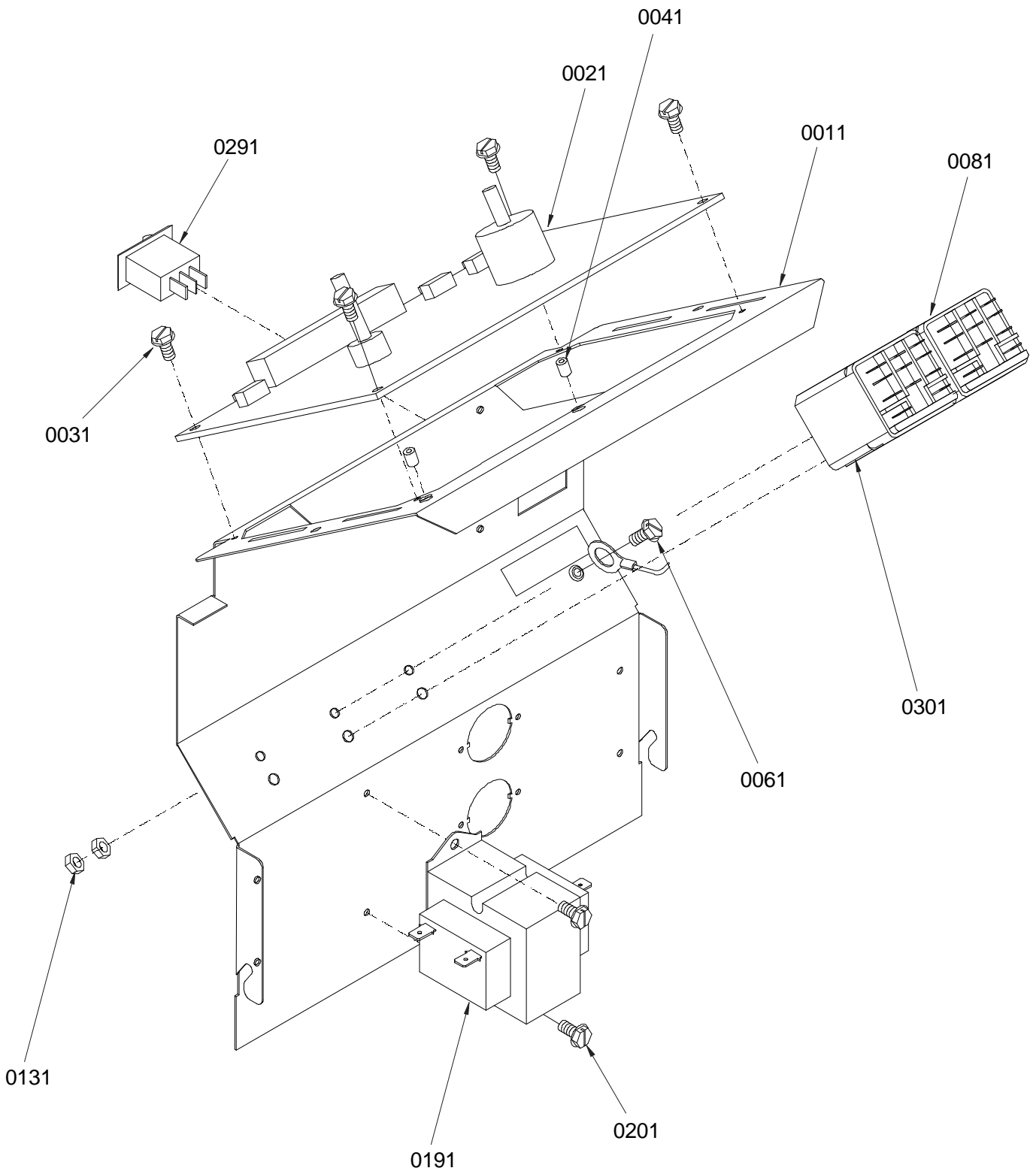
*Image 1*

0011	11114501	CORD-250V 20A (M1, M3)
0011	11114601	CORD-250V 30A (M2)
0011	11114701	CORD-277V-20A (M4)
0021	11116203	HTR 3 3.5KW ASSY (M1, M3)
0021	11177801	HTR 3 5.0 KW ASSY (M2)
0021	11116208	HTR 4 3.7 KW ASSY (M4)
0041	11044304	BLOWER INTAKE-PNT
0051	M0216716	SCREW-SM (QTY AR)
0061	C6476002	HOLDER-BAYONET FUSE (M4)
0071	A3410403	FUSE-20A (M4)
0081	M0213817	SCREW-SM (M4) (QTY AR)
0101	M0103906	CLAMP-SPEED

## Expanded Model and Color Nomenclature

M1 - PTC093A35BB	P1225501R
M2 - PTC123A50BB	P1225502R
M3 - PTC123A35BB	P1225505R
M4 - PTC094A35BB	P1225506R

# Control Panel



# Control Panel

Ref. Part No:	Part No:	Description:	Ref. Part No:	Part No:	Description:
<i>Image 1</i>					
0000	M0804204	FUSE-GLASS			
0011	11044501	PANEL-CONTROL			
0021	11043301	PC BOARD			
0031	M0216529	SCREW-SM (QTY AR)			
0041	M0590702	SUPPORT (QTY 2)			
0061	M0227803	SCREW-TC			
0081	C8873917	RELAY (M2)			
0131	M0282005	NUT-KEPS (QTY AR)			
0191	11172101	XFMR (M4)			
0191	B1378501	XFMR (M1, M2, M3)			
0201	M0216716	SCREW-SM (QTY AR)			
0291	B1337701	SWITCH-PADDLE			
0301	C8873932	RELAY			

## Expanded Model and Color Nomenclature

M1 - PTC093A35BB	P1225501R
M2 - PTC123A50BB	P1225502R
M3 - PTC123A35BB	P1225505R
M4 - PTC094A35BB	P1225506R