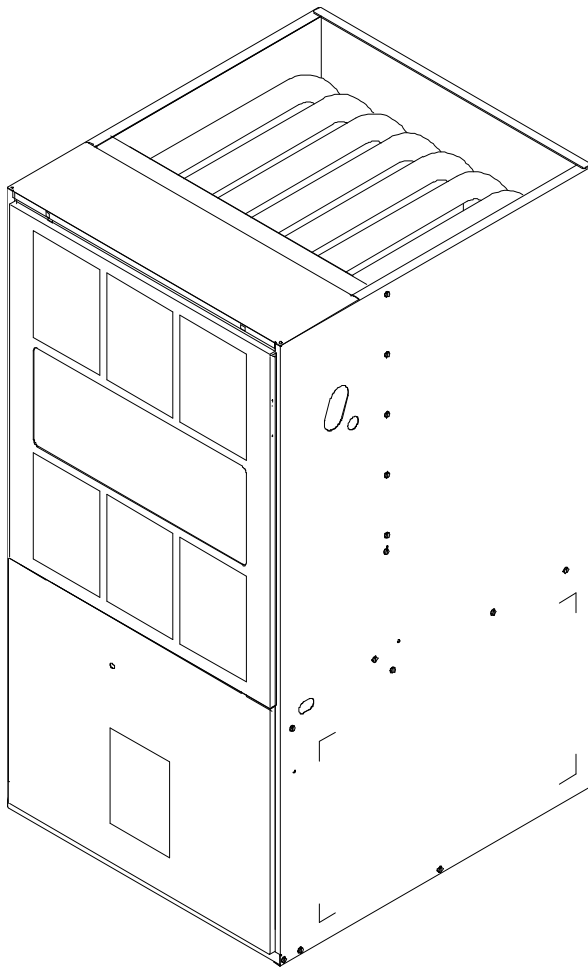


Models and manufacturing
numbers in this manual

GDC045X30B	P1213201F
GDC070X30B	P1213202F
GDC070X40B	P1213203F
GDC090X40B	P1213204F
GDC090X50B	P1213205F
GDC115X50B	P1213206F

Parts

GDC Gas Furnace



This manual is to be used by qualified appliance technicians only. Amana does not assume any responsibility for property damage or personal injury for improper service procedures done by an unqualified person.

Amana

RP6610014
Revision 0
February 1998

Important Information

Amana is not responsible for personal injury or property damage resulting from improper service. Review all service information before beginning repairs.

Warranty service must be performed by an authorized technician, using authorized factory parts. If service is required after the warranty expires, Amana also recommends contacting an authorized technician and using authorized factory parts. Locate an authorized technician by calling 800-NATLSVC (800-628-5782).

For assistance within the U.S.A. contact:

Consumer Affairs Department
Amana
2800 220th Trail
PO Box 8901
Amana IA 52204-0001
319-622-5511--Telephone
319-622-2977--Facsimile

For assistance outside the U.S.A. contact:

International Division
Amana
2800 220th Trail
PO Box 8901
Amana IA 52204-0001
USA
319-622-5511--Telephone
319-622-8595--Facsimile

Index

Functional Parts List 5
Illustration and Parts 6 - 19

Views shown are for parts illustrations only, not servicing procedures.

Text Codes:

- AR - As Required
- 0000 - Not Shown
- QTY - Quantity Example (QTY 3) (If Quantity not shown, Quantity = 1)
- M - Model Example (M1) (If M Code not shown, then part is used on all Models)

Expanded Model and Color Nomenclature:

Example	
M1 - Model#1	P _____
M2 - Model#2	P _____
M3 - Model#3	P _____

Functional Parts

Part

No: Description:

10735102	BECKETT BURNER (QTY AR)
D9868612	BLOWER-ID (M4, M5, M6)
D9868613	BLOWER-ID (M1, M2, M3)
10099901	CAPACITOR (M1, M2)
D6879739	CAPACITOR (M5, M6)
D6859325	CAPACITOR (M3, M4)
10207710	CONTROL-INTEG
10735201	FLAME-SENSOR
11168302	HARNESS-WIRING
10735002	IGNITOR
10250807	LIMIT (M2, M4, M5, M6)
10250802	LIMIT (M3)
10250805	LIMIT (M1)
10123512	LIMIT-RESET MAN (M1)
10123513	LIMIT-RESET MAN (M2, M3, M4, M5, M6)
10452902	MANIFOLD (M2, M3)
10452903	MANIFOLD (M4, M5)
10452901	MANIFOLD (M1)
10452904	MANIFOLD (M6)
20046601	MOTOR BLOW 1/3 HP (M2)
20046701	MOTOR-BLOW 1/3 HP (M1)
10219709	MOTOR-BLOWER 1/2 (M3)
10219708	MOTOR-BLOWER 1/2 (M4)
10219707	MOTOR-BLOWER 3/4 (M5, M6)
10716003	ORIFICE (QTY AR)
10195507	STNDPIPE BAG ASSY
M0352005	SWITCH
11111910	SWITCH-PRESSURE
11111905	SWITCH-PRESSURE (M1)
11111903	SWITCH-PRESSURE (M4, M5)
11111902	SWITCH-PRESSURE (M2, M3, M6)
C6349701	TRANSFORMER
C6476907	VALVE-GAS

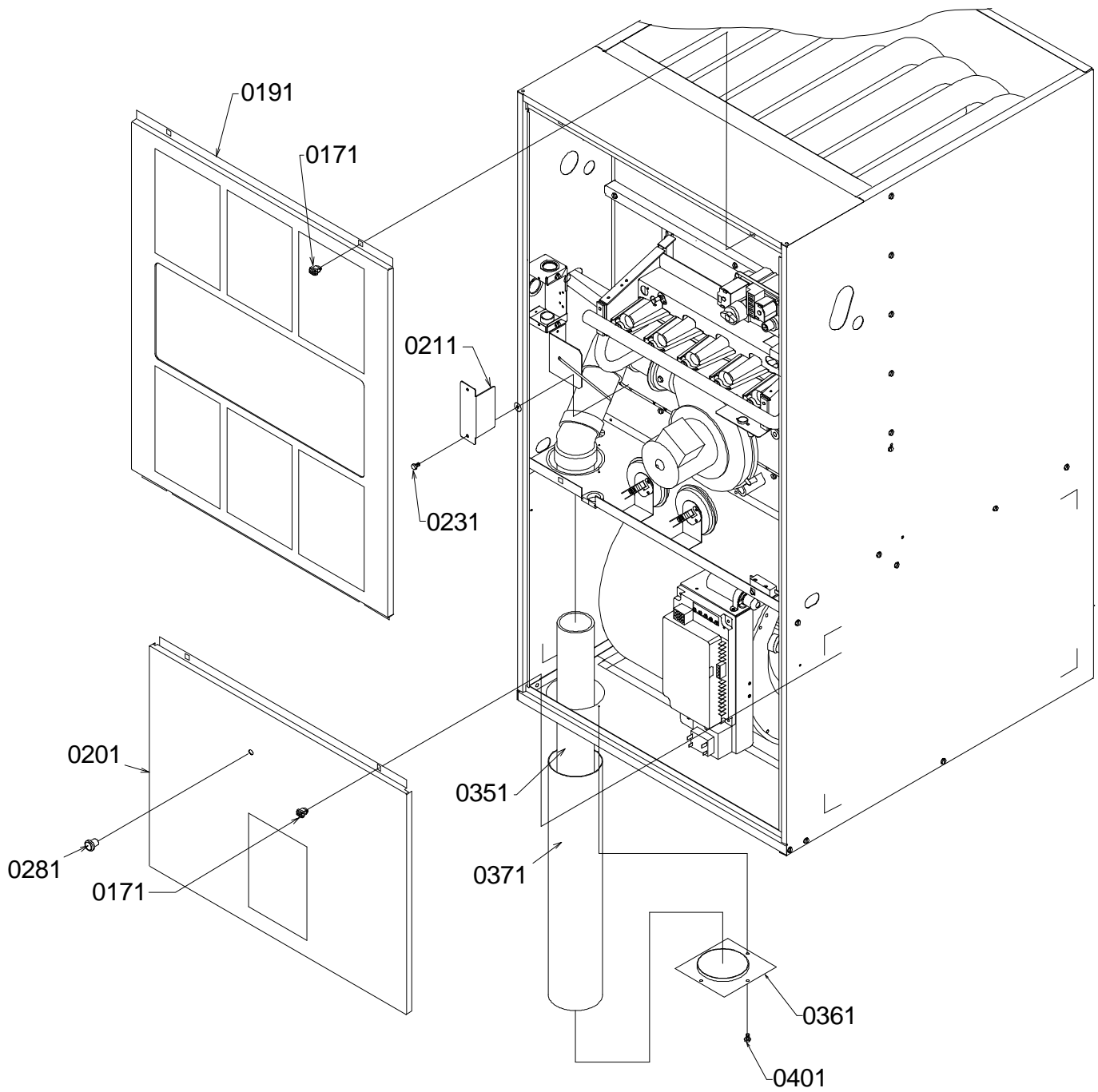
SPECIAL PARTS

C4855625	FILTER-AIR (M3, M4, M5, M6) (QTY 2)
10373002	FILTER-AIR (M1, M2) (QTY 2)
11067331	INSTR-INSTALL
11067328	MANUAL-USERS
10368501	RAIL-FILTER

Expanded Model and Color Nomenclature

M1 - GDC045X30B	P1213201F
M2 - GDC070X30B	P1213202F
M3 - GDC070X40B	P1213203F
M4 - GDC090X40B	P1213204F
M5 - GDC090X50B	P1213205F
M6 - GDC115X50B	P1213206F

Front Panels



Front Panels

Ref. Part No:	Part No:	Description:	Ref. Part No:	Part No:	Description:
---------------	----------	--------------	---------------	----------	--------------

Image 1

0171	B1388803	LATCH-1/4 TURN (QTY 4)
0191	D6988004	ACCESS DOOR-PNT (M1)
0191	D6988009	ACCESS DOOR-PNT (M2, M3)
0191	D6988010	ACCESS DOOR-PNT (M4, M5, M6)
0201	D6979614	BLOWER DOOR-PNT (M1)
0201	D6979616	BLOWER DOOR-PNT (M2, M3)
0201	D6979618	BLOWER DOOR-PNT (M4, M5, M6)
0211	10736201	COVER-HV BOX
0231	M0216529	SCREW-SM (QTY 2)
0281	11104001	SNAP-BUSHING CLR
0351	20159501	PIPE-PVC STRAIGHT
0361	C6424004	VENT TUBE BKT-PNT
0371	11022001	TUBE-VENT
0401	M0216716	SCREW-SM (QTY AR)

Expanded Model and Color Nomenclature

M1 - GDC045X30B	P1213201F
M2 - GDC070X30B	P1213202F
M3 - GDC070X40B	P1213203F
M4 - GDC090X40B	P1213204F
M5 - GDC090X50B	P1213205F
M6 - GDC115X50B	P1213206F

Partition Tube/Collector Box/Manifold

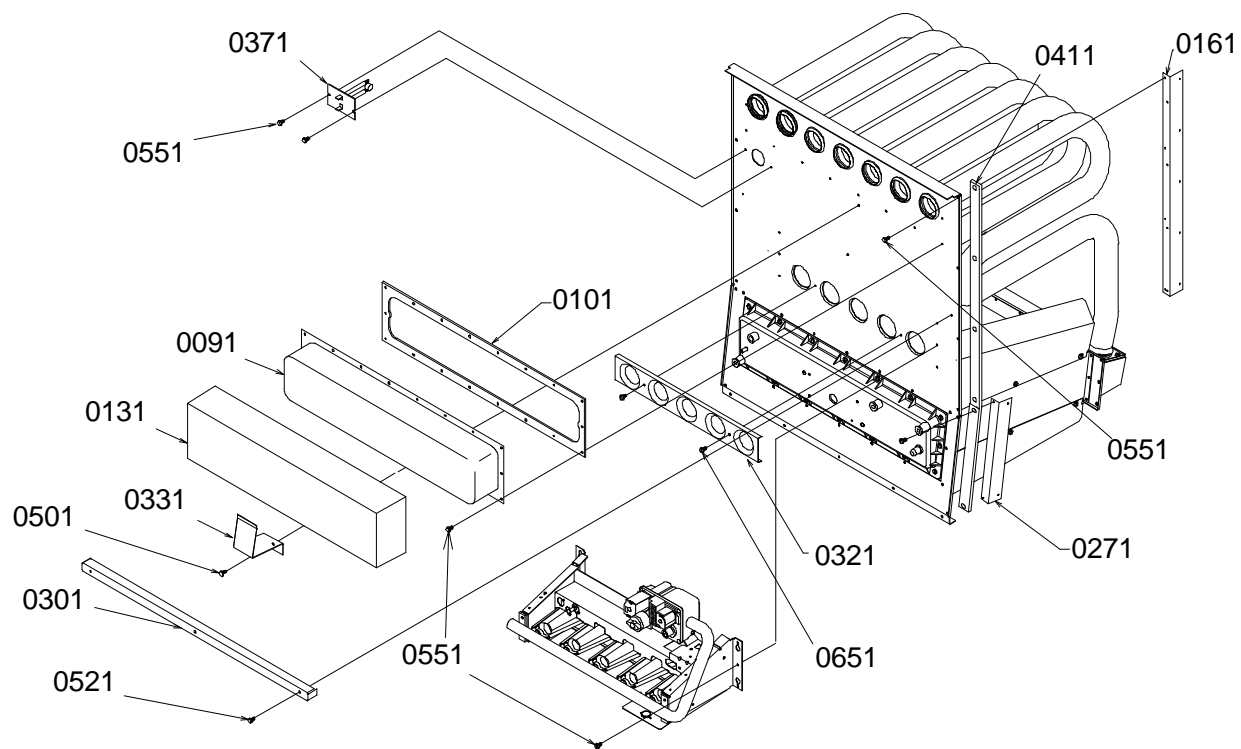
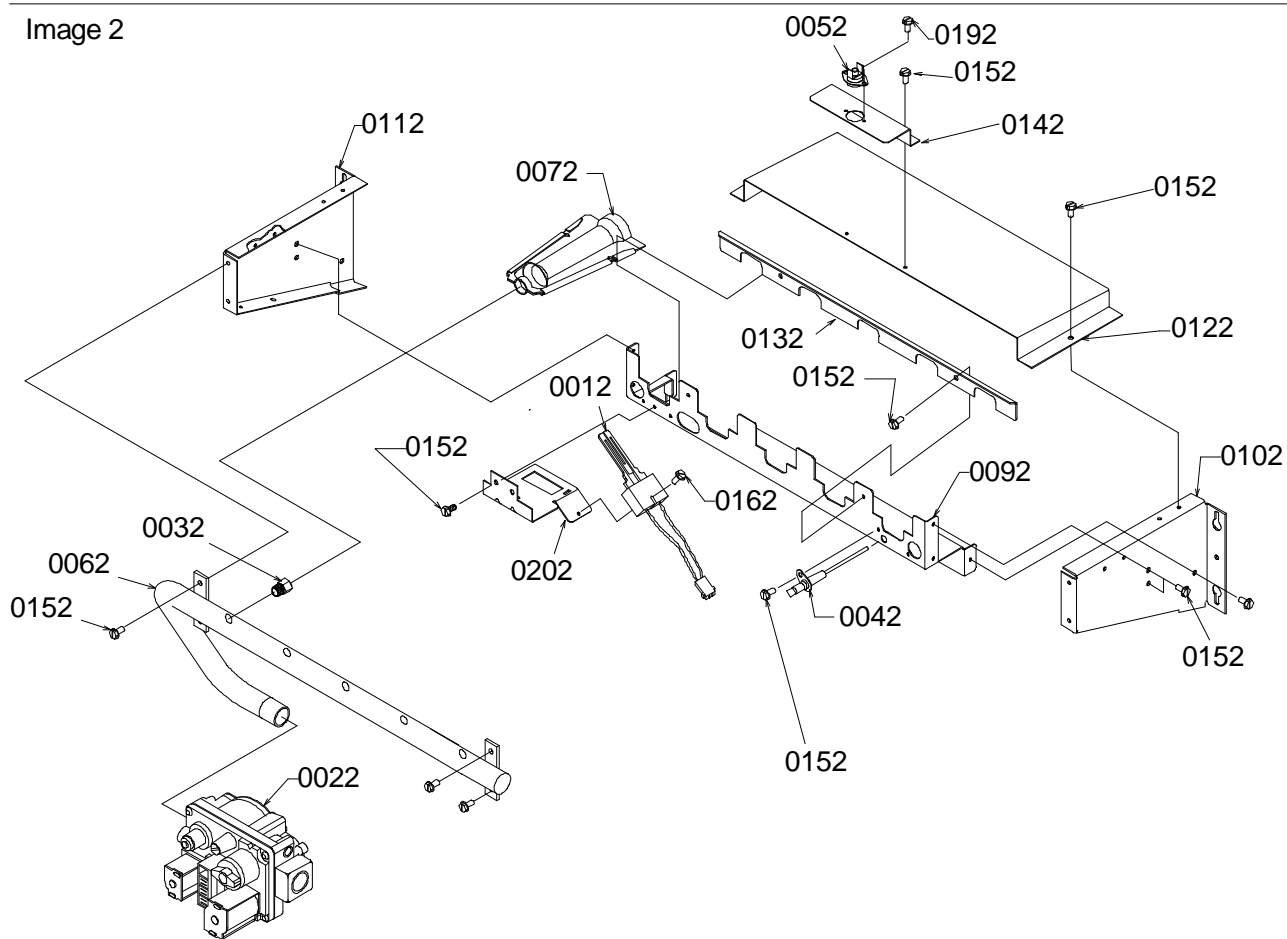


Image 1

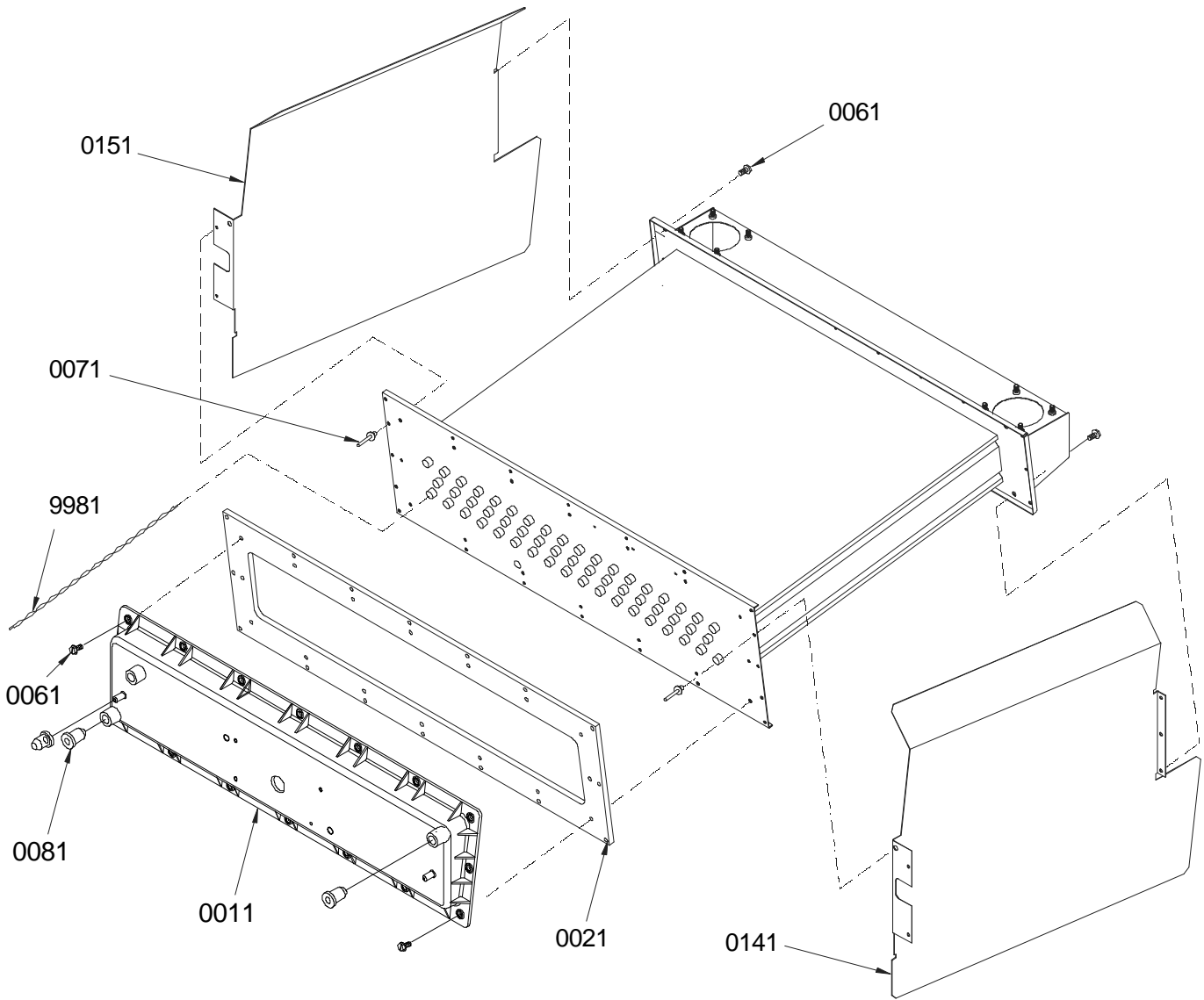
Image 2



Partition Tube/Collector Box/Manifold

Ref. Part No:	Part No:	Description:	Ref. Part No:	Part No:	Description:
<i>Image 1</i>			Expanded Model and Color Nomenclature		
0091	D9981001	BOX-COLLECTOR (M1, M2, M3)	M1 - GDC045X30B		P1213201F
0091	D9981101	BOX-COLLECTOR (M4, M5, M6)	M2 - GDC070X30B		P1213202F
0101	D9983001	GASKET-COLL BOX (M1, M2, M3)	M3 - GDC070X40B		P1213203F
0101	D9983002	GASKET-COLL BOX (M4, M5, M6)	M4 - GDC090X40B		P1213204F
0131	D9987601	INSUL-COLL BOX (M1, M2, M3)	M5 - GDC090X50B		P1213205F
0131	D9987602	INSUL-COLL BOX (M4, M5, M6)	M6 - GDC115X50B		P1213206F
0161	D9992403	ANGLE-SUPPORT (QTY 2)			
0271	C6449901	ANGLE-SUPPORT (QTY 2)			
0301	C6457401	STIFFENER-PANEL (M1)			
0301	C6457402	STIFFENER-PANEL (M2, M3)			
0301	C6457403	STIFFENER-PANEL (M4, M5, M6)			
0321	11072201	SHIELD-ORIFICE (M1)			
0321	11072202	SHIELD-ORIFICE (M2, M3)			
0321	11072203	SHIELD-ORIFICE (M4, M5)			
0321	11072204	SHIELD-ORIFICE (M6)			
0331	C6471201	BRKT-INSUL			
0371	10250802	LIMIT (M3)			
0371	10250805	LIMIT (M1)			
0371	10250807	LIMIT (M2, M4, M5, M6)			
0411	11066201	GASKET-PART PANEL (QTY 2)			
0501	M0211016	SCREW-SM			
0521	M0211022	SCREW-SM (QTY 3)			
0551	M0219916	SCREW-SM (QTY AR)			
0651	M0211020	SCREW-SM (QTY AR)			
<i>Image 2</i>					
0012	10735002	IGNITOR			
0022	C6476907	VALVE-GAS			
0032	10716003	ORIFICE (QTY AR)			
0042	10735201	FLAME-SENSOR			
0052	10123512	LIMIT-RESET MAN (M1)			
0052	10123513	LIMIT-RESET MAN (M2, M3, M4, M5, M6)			
0062	10452901	MANIFOLD (M1)			
0062	10452902	MANIFOLD (M2, M3)			
0062	10452903	MANIFOLD (M4, M5)			
0062	10452904	MANIFOLD (M6)			
0072	10735102	BECKETT BURNER (QTY AR)			
0092	11008101	BRKT-BURNER (M1)			
0092	11008102	BRKT-BURNER (M2, M3)			
0092	11008103	BRKT-BURNER (M4, M5)			
0092	11008104	BRKT-BURNER (M6)			
0102	10499303	BRKT-R MANIFOLD			
0112	10499403	BRKT-L MANIFOLD			
0122	11165101	SHIELD-ID BLOWER (M1)			
0122	11165102	SHIELD-ID BLOWER (M2, M3)			
0122	11165103	SHIELD-ID BLOWER (M4, M5)			
0122	11165104	SHIELD-ID BLOWER (M6)			
0132	10734701	BRKT-LOCK BURNER (M1)			
0132	10734702	BRKT-LOCK BURNER (M2, M3)			
0132	10734703	BRKT-LOCK BURNER (M4, M5)			
0132	10734704	BRKT-LOCK BURNER (M6)			
0142	10118902	BRKT-SENSOR			
0152	M0216529	SCREW-SM (QTY AR)			
0162	M0216519	SCREW-SM			
0192	M0212517	SCREW-SM (QTY 2)			
0202	11008703	BRKT-SENSOR			

Recupe Coil



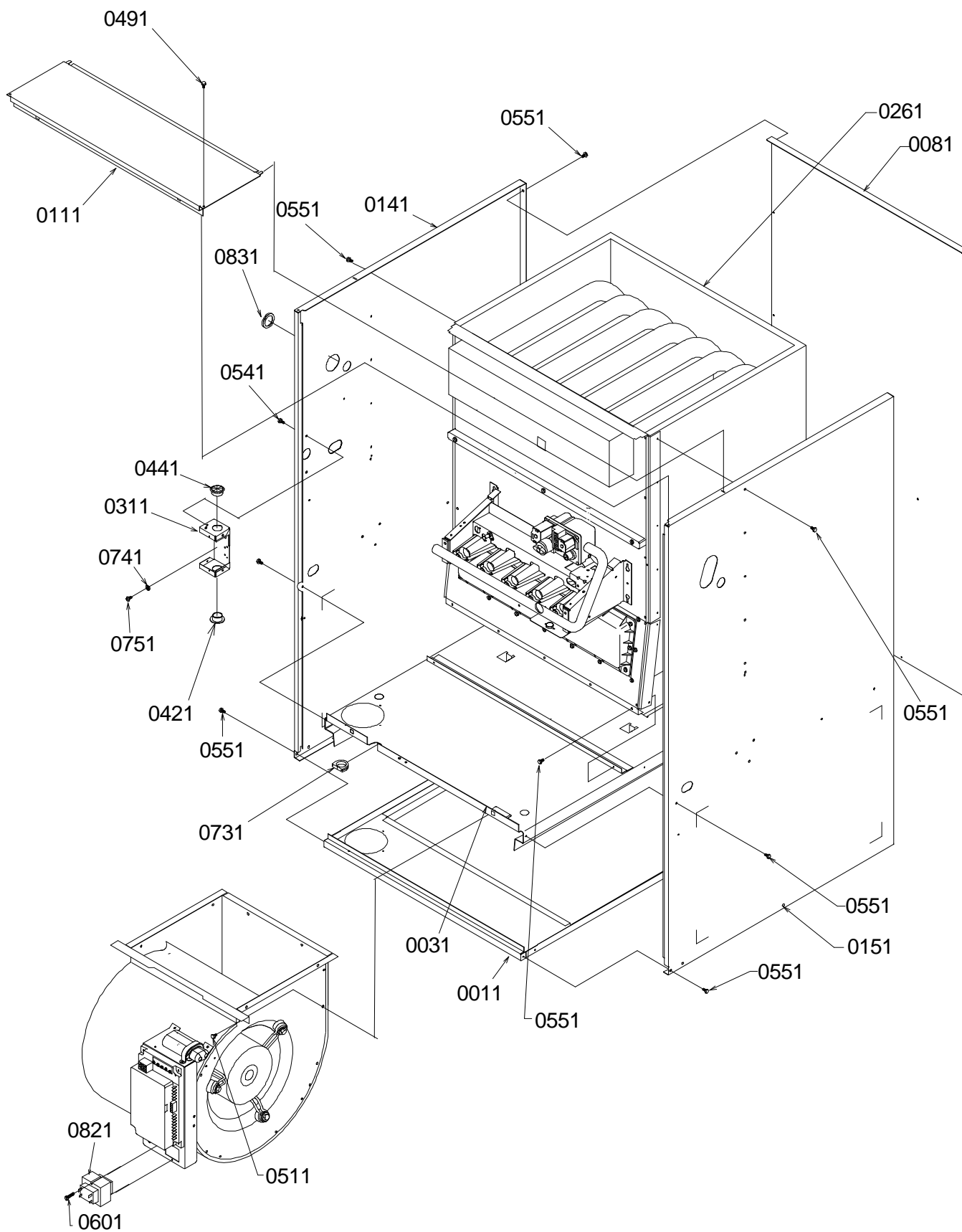
Recupe Coil

Ref. No:	Part No:	Description:	Ref. No:	Part No:	Description:
<i>Image 1</i>					
0011	10197004	COVER-FR RECUPE (M1)			
0011	10197104	COVER-FR RECUPE (M2, M3)			
0011	10197207	COVER-FR RECUPE (M4, M5)			
0011	10197208	COVER-FR RECUPE (M6)			
0021	D9875101	GASKET-FR COV (M1)			
0021	D9875102	GASKET-FR COV (M2, M3)			
0021	D9875103	GASKET-FR COV (M4, M5, M6)			
0061	M0211031	SCREW-SM (QTY AR)			
0071	A4539606	RIVET-POP (QTY AR)			
0081	M0326804	PLUG-TUBE (QTY 3)			
0141	20011501	SHIELD-COIL			
0151	20011502	SHIELD-COIL			
9981	11086002	TURBULATOR (QTY AR)			

Expanded Model and Color Nomenclature

M1 - GDC045X30B	P1213201F
M2 - GDC070X30B	P1213202F
M3 - GDC070X40B	P1213203F
M4 - GDC090X40B	P1213204F
M5 - GDC090X50B	P1213205F
M6 - GDC115X50B	P1213206F

Outer Cabinet



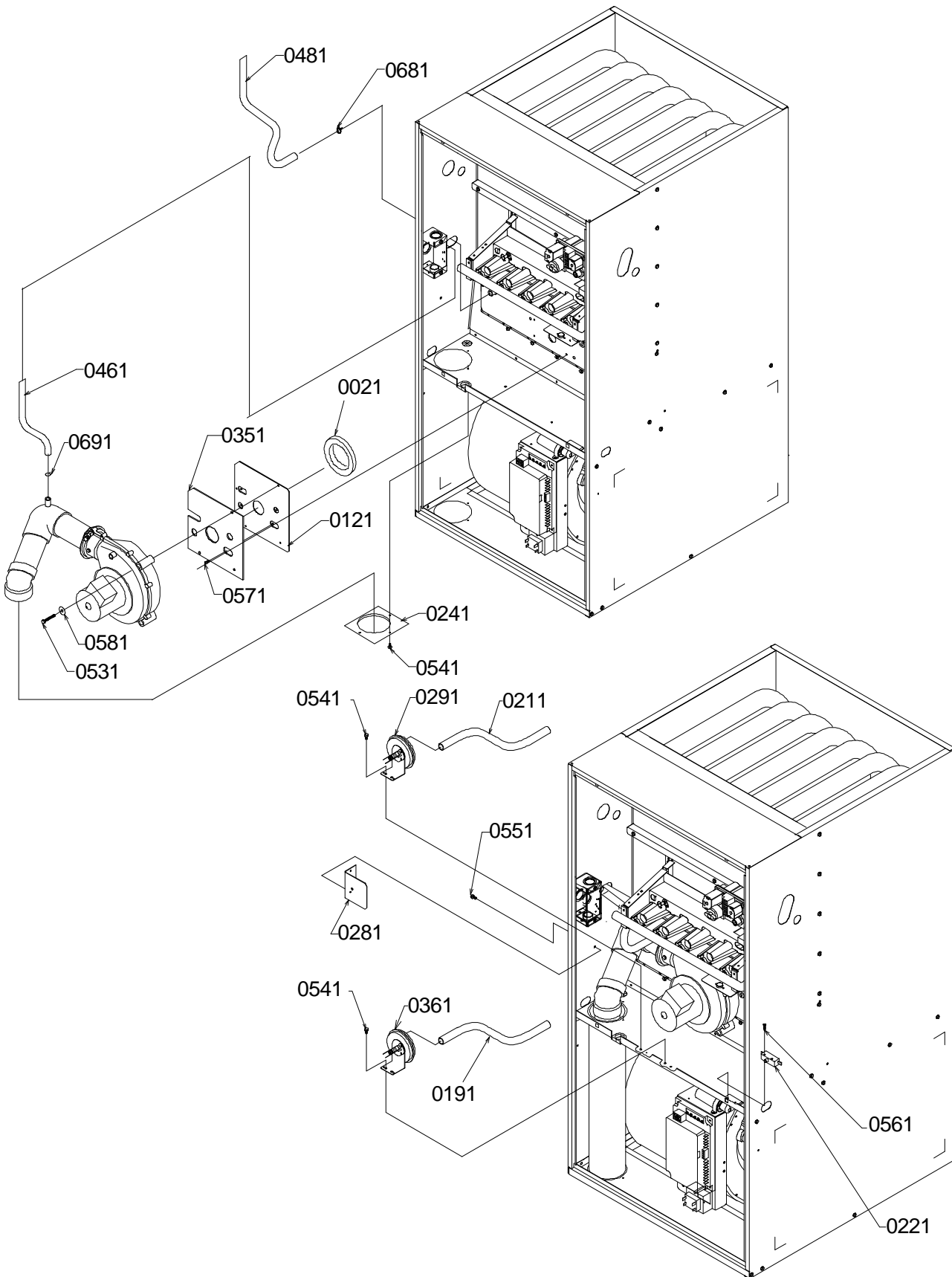
Outer Cabinet

Ref. No:	Part No:	Description:	Ref. No:	Part No:	Description:
<i>Image 1</i>					
0000	M0219918	SCREW-SM (QTY 12)			
0011	D9902314	BASEPAN WELD-PNT (M1)			
0011	D9902316	BASEPAN WELD-PNT (M2, M3)			
0011	D9902318	BASEPAN WELD-PNT (M4, M5, M6)			
0031	10309216	BLOWER DECK WELD (M1)			
0031	10309217	BLOWER DECK WELD (M2)			
0031	10309218	BLOWER DECK WELD (M3)			
0031	10309219	BLOWER DECK WELD (M4, M5, M6)			
0081	D9965808	BACK PANEL-PNT (M1)			
0081	D9965810	BACK PANEL-PNT (M2, M3)			
0081	D9965812	BACK PANEL-PNT (M4, M5, M6)			
0111	D6995114	TOP COVER-PNT (M1)			
0111	D6995116	TOP COVER-PNT (M2, M3)			
0111	D6995118	TOP COVER-PNT (M4, M5, M6)			
0141	10452012	L-SIDE PANEL-PNT			
0151	10452412	R-SIDE PANEL-PNT			
0261	C6415904	INSUL-HT EX (M1)			
0261	C6415905	INSUL-HT EX (M2, M3)			
0261	C6415906	INSUL-HT EX (M4, M5, M6)			
0311	10736102	BOX-HIGH VOLTAGE			
0421	A4554801	BUSHING-SNAP			
0441	M0571002	BUSHING-SNAP			
0491	M0211530	SCREW-SM (QTY 2)			
0511	M0211018	SCREW-SM (QTY 2)			
0541	M0216716	SCREW-SM (QTY AR)			
0551	M0219916	SCREW-SM (QTY AR)			
0601	M0216536	SCREW-SM (QTY 2)			
0731	A4568804	GROMMET-D			
0741	M0270001	WASHER-CUP			
0751	M0227803	SCREW-TC			
0821	C6349701	TRANSFORMER			
0831	A4603801	GROMMET			

Expanded Model and Color Nomenclature

M1 - GDC045X30B	P1213201F
M2 - GDC070X30B	P1213202F
M3 - GDC070X40B	P1213203F
M4 - GDC090X40B	P1213204F
M5 - GDC090X50B	P1213205F
M6 - GDC115X50B	P1213206F

Tubing/Pressure Switch



Tubing/Pressure Switch

Ref. Part No:	Part No:	Description:	Ref. Part No:	Part No:	Description:
<i>Image 1</i>					
0021	D9875101	GASKET-FR COV, PART B (M1)			
0021	D9875102	GASKET-FR COV, PART B (M2, M3)			
0021	D9875103	GASKET-FR COV, PART B (M4, M5, M6)			
0121	D9986603	PLATE-BLOWER			
0191	B1410312	HOSE-PRESSURE SW			
0211	B1410311	HOSE-PRESSURE SW			
0221	B9276201	SWITCH-INTERLOCK			
0241	C6424002	BRKT-VENT TUBE			
0281	10314001	BRKT-ELBOW			
0291	11111902	SWITCH-PRESSURE (M2, M3, M6)			
0291	11111903	SWITCH-PRESSURE (M4, M5)			
0291	11111905	SWITCH-PRESSURE (M1)			
0351	D9855802	GASKET-BLOW PLT			
0361	11111910	SWITCH-PRESSURE			
0461	C6458101	HOSE-DRAIN			
0481	10241101	HOSE-DRAIN			
0531	M0218151	SCREW-SM (QTY 4)			
0541	M0216716	SCREW-SM (QTY AR)			
0551	M0219916	SCREW-SM (QTY AR)			
0561	M0227525	SCREW-TC (QTY 2)			
0571	M0228032	SCREW-TC (QTY 4)			
0581	M0270528	WASHER-FLAT (QTY 4)			
0681	M0119206	CLAMP-HOSE			
0691	M0117603	CLAMP-HOSE			

Expanded Model and Color Nomenclature

M1 - GDC045X30B	P1213201F
M2 - GDC070X30B	P1213202F
M3 - GDC070X40B	P1213203F
M4 - GDC090X40B	P1213204F
M5 - GDC090X50B	P1213205F
M6 - GDC115X50B	P1213206F

Wiring/Blower Pipe

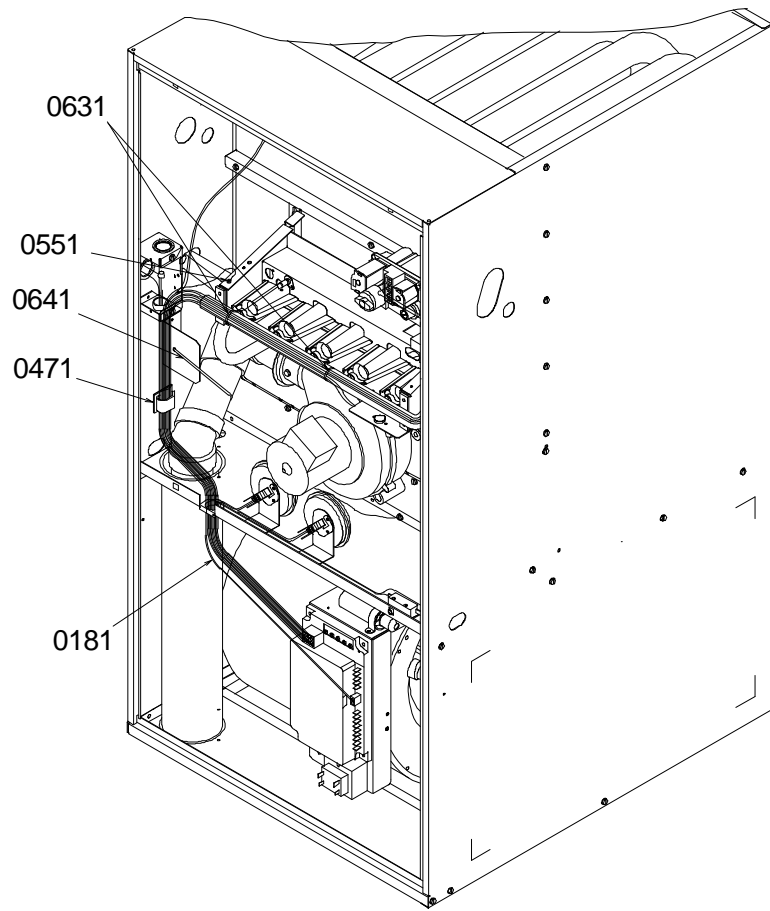
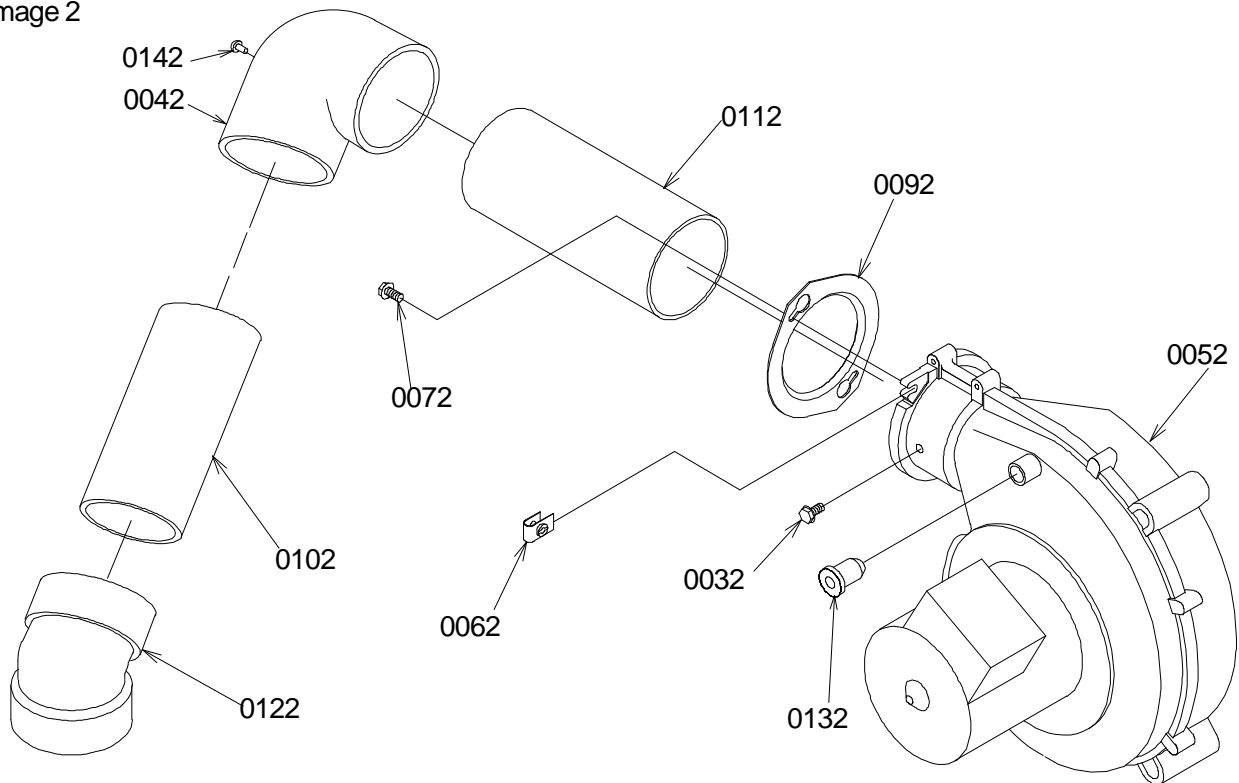


Image 1

Image 2



Wiring/Blower Pipe

Ref. No:	Part No:	Description:	Ref. No:	Part No:	Description:
----------	----------	--------------	----------	----------	--------------

Image 1

0000	11169201	BRKT-STANDPIPE
0000	11173301	CAP-DRAIN
0000	M0102318	CLAMP-TUBE
0000	11162002	DRAIN-ID BLWR
0000	11165001	FLUE-SUPPORT
0000	M0326803	PLUG-TUBE
0000	M0216531	SCREW-SM (QTY 2)
0000	20158401	STANDPIPE ASSY
0000	11161202	TUBE-DRAIN
0181	11168302	HARNESS-WIRING
0471	M0104102	CLIP-CORD
0551	M0219916	SCREW-SM (QTY AR)
0631	M0321202	TIE-ELEC (QTY 5)
0641	M0321208	TIE-ELEC

Image 2

0032	M0236717	SCREW-SM
0042	C6458303	ELBOW ASSY
0052	D9868612	BLOWER-ID (M4, M5, M6)
0052	D9868613	BLOWER-ID (M1, M2, M3)
0062	M0283201	NUT-U TYPE SPEED (QTY 2)
0072	M0200304	SCREW-MACH (QTY 2)
0092	D9849601	COLLAR-PIPE
0102	B1370924	PIPE-PVC STRAIGHT
0112	B1370917	PIPE-PVC STRAIGHT (M1)
0122	C6455901	ELBOW-22 1/2 ELL
0132	M0326802	PLUG-TUBE
0142	M0326803	PLUG-TUBE

Expanded Model and Color Nomenclature

M1 - GDC045X30B	P1213201F
M2 - GDC070X30B	P1213202F
M3 - GDC070X40B	P1213203F
M4 - GDC090X40B	P1213204F
M5 - GDC090X50B	P1213205F
M6 - GDC115X50B	P1213206F

Blower

Ref. No:	Part No:	Description:	Ref. No:	Part No:	Description:
<i>Image 1</i>					
0021	A3410501	STRAP-CAPACITOR (M5, M6)			
0021	A4055402	STRAP-CAPACITOR (M1, M2, M3, M4)			
0051	A4539611	RIVET-POP (QTY AR)			
0121	C6121807	CUTOFF (M3, M4, M5, M6)			
0121	C6121810	CUTOFF (M1, M2)			
0131	C6392833	ANGLE-BLOWER (M3, M4, M5, M6)			
0131	C6392834	ANGLE-BLOWER (M1, M2)			
0141	C6392906	ANGLE-BLOWER (M1, M2) (QTY 2)			
0151	10441501	ARM-MTR MOUNT (M3, M4, M5, M6) (QTY 4)			
0161	10099901	CAPACITOR (M1, M2)			
0161	D6859325	CAPACITOR (M3, M4)			
0161	D6879739	CAPACITOR (M5, M6)			
0171	D6723302	WHEEL-BLOWER (M1, M2)			
0171	D6723311	WHEEL-BLOWER (M3, M4, M5, M6)			
0181	20046601	MOTOR BLOW 1/3 HP (M2)			
0181	20046701	MOTOR-BLOW 1/3 HP (M1)			
0181	10219708	MOTOR-BLOWER 1/2 (M4)			
0181	10219709	MOTOR-BLOWER 1/2 (M3)			
0181	10219707	MOTOR-BLOWER 3/4 (M5, M6)			
0191	10324220	BLOW HSG WELD-PNT (M1, M2)			
0191	10324222	BLOW HSG WELD-PNT (M3, M4, M5, M6)			
0201	D9950104	ANGLE-BLOWER FR (M1, M2)			
0201	D9950113	ANGLE-BLOWER FR (M3, M4, M5, M6)			
0221	M0211020	SCREW-SM (QTY AR)			
0231	M0221461	SCREW-TC (M3, M4, M5, M6) (QTY 4)			
0251	M0267144	SCREW-MACH (M3, M4, M5, M6)			
0261	M0274008	WASHER-FLAT (M3, M4, M5, M6) (QTY 4)			
0281	M0282015	NUT-KEPS (M3, M4, M5, M6)			
0291	M0321202	TIE-ELEC			
0321	10207710	CONTROL-INTEG			
0341	10746201	BRKT-CONTROL			
0351	C6421201	ANGLE-BLOWER (M3, M4, M5, M6)			
0361	C6421202	ANGLE-BLOWER (M3, M4, M5, M6)			
0381	10441601	BAND-MTR MOUNT (M3, M4, M5, M6)			
0401	A4002701	GROMMET (M3, M4, M5, M6) (QTY 4)			
0411	B1423601	BRKT-AUX LIMIT			
0421	M1252043	SCREW-TC (QTY 2)			
0431	M0352005	SWITCH			
0451	M0219916	SCREW-SM (QTY AR)			
0551	M0211016	SCREW-SM (QTY AR)			
9961	M0250558	SCREW-TC (M1, M2) (QTY 3)			

Expanded Model and Color Nomenclature

M1 - GDC045X30B	P1213201F
M2 - GDC070X30B	P1213202F
M3 - GDC070X40B	P1213203F
M4 - GDC090X40B	P1213204F
M5 - GDC090X50B	P1213205F
M6 - GDC115X50B	P1213206F