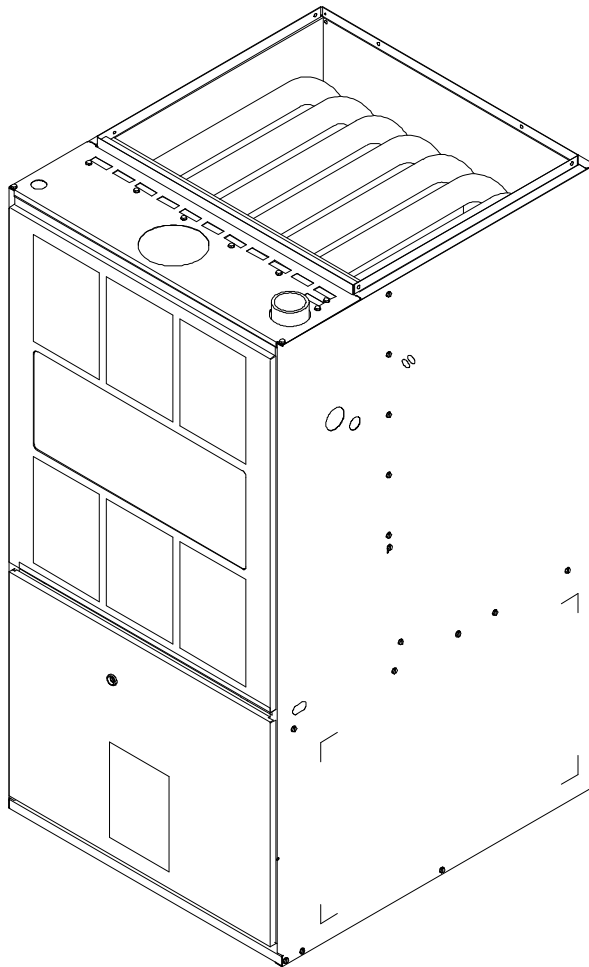


Models and manufacturing numbers in this manual

GUX045X30B	P1213001F
GUX070X30B	P1213002F
GUX070X40B	P1213003F
GUX090X35B	P1213004F
GUX090X50B	P1213005F
GUX115X50B	P1213006F

Parts

GUX Gas Furnace



This manual is to be used by qualified appliance technicians only. Amana does not assume any responsibility for property damage or personal injury for improper service procedures done by an unqualified person.

Amana

RP6610012
Revision 0
February 1998

Important Information

Amana is not responsible for personal injury or property damage resulting from improper service. Review all service information before beginning repairs.

Warranty service must be performed by an authorized technician, using authorized factory parts. If service is required after the warranty expires, Amana also recommends contacting an authorized technician and using authorized factory parts. Locate an authorized technician by calling 800-NATLSVC (800-628-5782).

For assistance within the U.S.A. contact:

Consumer Affairs Department
Amana
2800 220th Trail
PO Box 8901
Amana IA 52204-0001
319-622-5511--Telephone
319-622-2977--Facsimile

For assistance outside the U.S.A. contact:

International Division
Amana
2800 220th Trail
PO Box 8901
Amana IA 52204-0001
USA
319-622-5511--Telephone
319-622-8595--Facsimile

Index

Functional Parts List	5
Illustration and Parts	6 - 15

Views shown are for parts illustrations only, not servicing procedures.

Text Codes:

AR - As Required

0000 - Not Shown

QTY - Quantity Example (QTY 3) (If Quantity not shown, Quantity = 1)

M - Model Example (M1) (If M Code not shown, then part is used on all Models)

Expanded Model and Color Nomenclature:

Example

M1 - Model#1 P _____

M2 - Model#2 P _____

M3 - Model#3 P _____

Functional Parts

Part

No: Description:

10735102	BECKETT BURNER (QTY AR)
D9868610	BLOWER-ID (M1, M2, M3)
D9868607	BLOWER-ID (M4, M5)
10099901	CAPACITOR (M1, M2)
D6879739	CAPACITOR (M5, M6)
D6859325	CAPACITOR (M3)
10099902	CAPACITOR (M4)
10207710	CONTROL-INTEG
10809201	FILTER (M1, M2, M3, M4)
10809201	FILTER (M5, M6) (QTY 2)
10735201	FLAME-SENSOR
10735002	IGNITOR
10250803	LIMIT (M4)
10250808	LIMIT (M5)
10250815	LIMIT (M6)
10250807	LIMIT (M3)
20046601	MOTOR BLOW 1/3 HP (M2)
20046608	MOTOR-BLOW 1/2 HP (M4)
20046701	MOTOR-BLOW 1/3 HP (M1)
10219603	MOTOR-BLOWER 3/4 (M3)
10219707	MOTOR-BLOWER 3/4 (M5, M6)
10716003	ORIFICE (QTY AR)
10195506	STNDPIPE BAG ASSY
B9276201	SWITCH-INTERLOCK
C6349701	TRANSFORMER
C6476907	VALVE-GAS
D6723311	WHEEL-BLOWER (M6)
D6723302	WHEEL-BLOWER (M1, M2, M4)
D6723306	WHEEL-BLOWER (M3, M5)

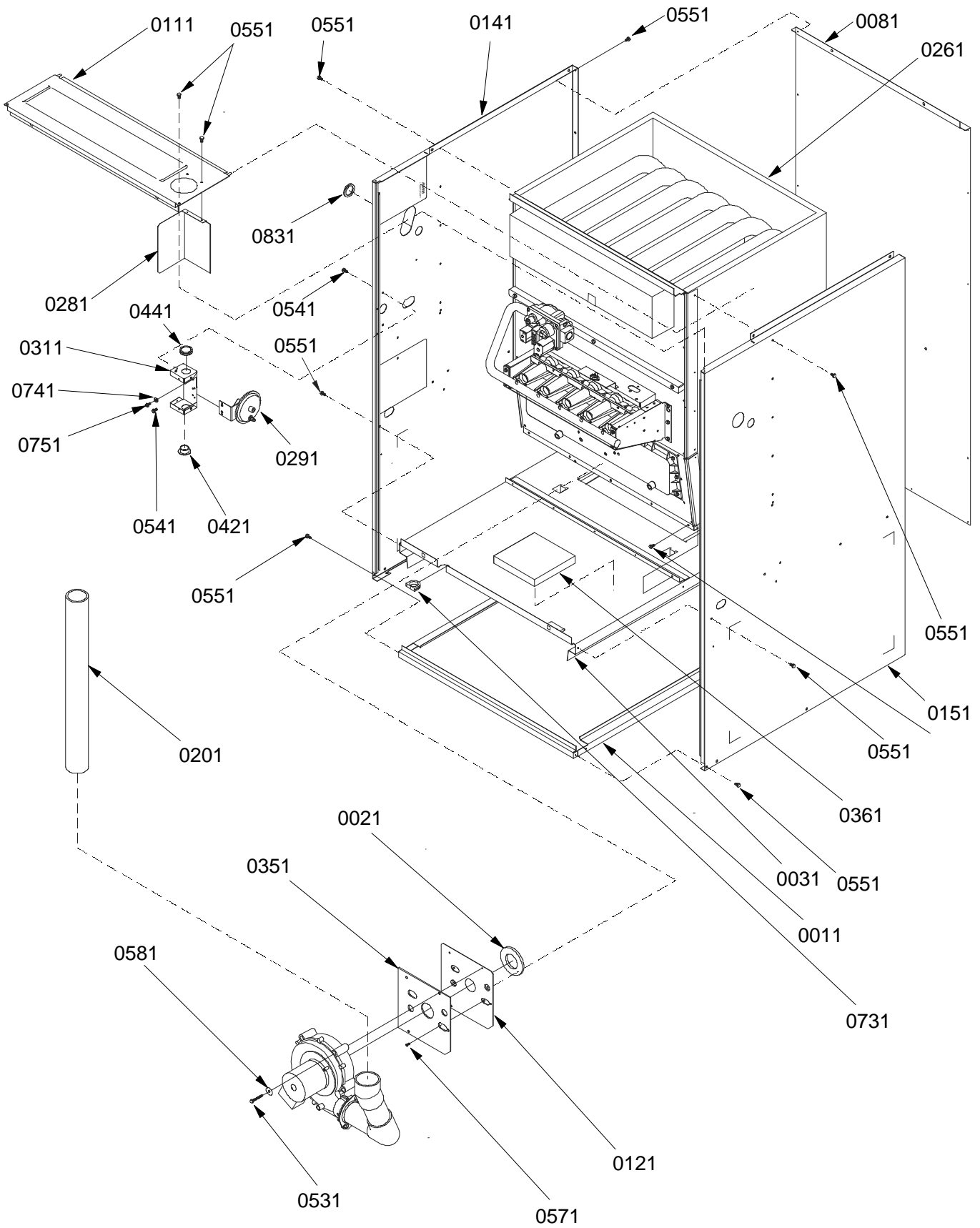
SPECIAL PARTS

10318722	INSTR-INSTALL
10772904	INSTR-INSTALL
RP6610012	MANUAL-PARTS
10318817	MANUAL-USERS

Expanded Model and Color Nomenclature

M1 - GUX045X30B	P1213001F
M2 - GUX070X30B	P1213002F
M3 - GUX070X40B	P1213003F
M4 - GUX090X35B	P1213004F
M5 - GUX090X50B	P1213005F
M6 - GUX115X50B	P1213006F

Cabinet Assembly



Cabinet Assembly

Ref. No:	Part No:	Description:	Ref. No:	Part No:	Description:
<i>Image 1</i>					
0011	10568602	BASEPAN-PNT (M4, M5, M6)			
0011	10568604	BASEPAN-PNT (M2, M3)			
0011	10568606	BASEPAN-PNT (M1)			
0021	D9875101	GASKET-FR COV, PART B (M1)			
0021	D9875102	GASKET-FR COV, PART B (M2, M3)			
0021	D9875103	GASKET-FR COV, PART B (M4, M5, M6)			
0031	10204319	BLOWER DECK WELD (M2)			
0031	10204320	BLOWER DECK WELD (M3)			
0031	10204321	BLOWER DECK WELD (M4)			
0031	10204322	BLOWER DECK WELD (M5)			
0031	10204323	BLOWER DECK WELD (M6)			
0031	10204325	BLOWER DECK WELD (M1)			
0081	D9965704	BACK PANEL-PNT (M4, M5, M6)			
0081	D9965705	BACK PANEL-PNT (M2, M3)			
0081	D9965706	BACK PANEL-PNT (M1)			
0111	D9985404	TOP COVER-PNT (M1)			
0111	D9985405	TOP COVER-PNT (M2, M3)			
0111	D9985406	TOP COVER-PNT (M4, M5, M6)			
0121	D9986603	PLATE-BLOWER			
0141	10452003	L SIDE PANEL-PNT			
0151	10452403	R SIDE PANEL-PNT			
0201	10195401	PIPE-PVC FLUE (M2, M3, M4, M5, M6)			
0201	20159502	PIPE-PVC STRAIGHT (M1)			
0261	C6415904	INSUL-HT EX (M1)			
0261	C6415905	INSUL-HT EX (M2, M3)			
0261	C6415906	INSUL-HT EX (M4, M5, M6)			
0281	C6455101	SHIELD-HEAT			
0291	20028403	SWITCH-PRESSURE (M2, M3, M4, M5, M6)			
0291	20028404	SWITCH-PRESSURE (M1)			
0311	10736102	BOX-HIGH VOLTAGE			
0351	D9855802	GASKET-BLOW PLT			
0361	M0050227	BLOCK-FOAM			
0421	A4554801	BUSHING-SNAP			
0441	M0571002	BUSHING-SNAP			
0531	M0218151	SCREW-SM (QTY 4)			
0541	M0216716	SCREW-SM (QTY 7)			
0551	M0219916	SCREW-SM (QTY AR)			
0571	M0228032	SCREW-TC (QTY 4)			
0581	M0270528	WASHER-FLAT (QTY 4)			
0731	A4568804	GROMMET-D			
0741	M0270001	WASHER-CUP			
0751	M0227803	SCREW-TC			
0831	A4603801	GROMMET			

Expanded Model and Color Nomenclature

M1 - GUX045X30B	P1213001F
M2 - GUX070X30B	P1213002F
M3 - GUX070X40B	P1213003F
M4 - GUX090X35B	P1213004F
M5 - GUX090X50B	P1213005F
M6 - GUX115X50B	P1213006F

Cabinet Assembly and Blower Mounting

Ref. No:	Part No:	Description:	Ref. No:	Part No:	Description:
<i>Image 1</i>					
0000	A9020401	RETAINER-FILTER (M1)			
0000	A9020402	RETAINER-FILTER (M2, M3)			
0000	A9020403	RETAINER-FILTER (M4, M5, M6)			
0171	B1388803	LATCH-1/4 TURN (QTY 4)			
0181	11135303	HARNESS-WIRING			
0191	D6988004	ACCESS DOOR-PNT (M1)			
0191	D6988009	ACCESS DOOR-PNT (M2, M3)			
0191	D6988010	ACCESS DOOR-PNT (M4, M5, M6)			
0201	D6979614	BLOWER DOOR-PNT (M1)			
0201	D6979616	BLOWER DOOR-PNT (M2, M3)			
0201	D6979618	BLOWER DOOR-PNT (M4, M5, M6)			
0211	10736201	COVER-HV BOX			
0221	B9276201	SWITCH-INTERLOCK			
0231	M0216529	SCREW-SM (QTY 2)			
0251	10809201	FILTER (M1, M2, M3, M4)			
0251	10809201	FILTER (M5, M6) (QTY 2)			
0281	11104001	SNAP-BUSHING CLR			
0471	M0104102	CLIP-CORD			
0511	M0211018	SCREW-SM (QTY 2)			
0561	M0227525	SCREW-TC (QTY 2)			
0601	M0216536	SCREW-SM (QTY 2)			
0631	M0321202	TIE-ELEC (QTY 5)			
0821	C6349701	TRANSFORMER			
9991	B1410304	HOSE-PRESSURE SW			

Expanded Model and Color Nomenclature

M1 - GUX045X30B	P1213001F
M2 - GUX070X30B	P1213002F
M3 - GUX070X40B	P1213003F
M4 - GUX090X35B	P1213004F
M5 - GUX090X50B	P1213005F
M6 - GUX115X50B	P1213006F

Heat Exchanger/Manifold Assembly and Recupe Coil Assembly

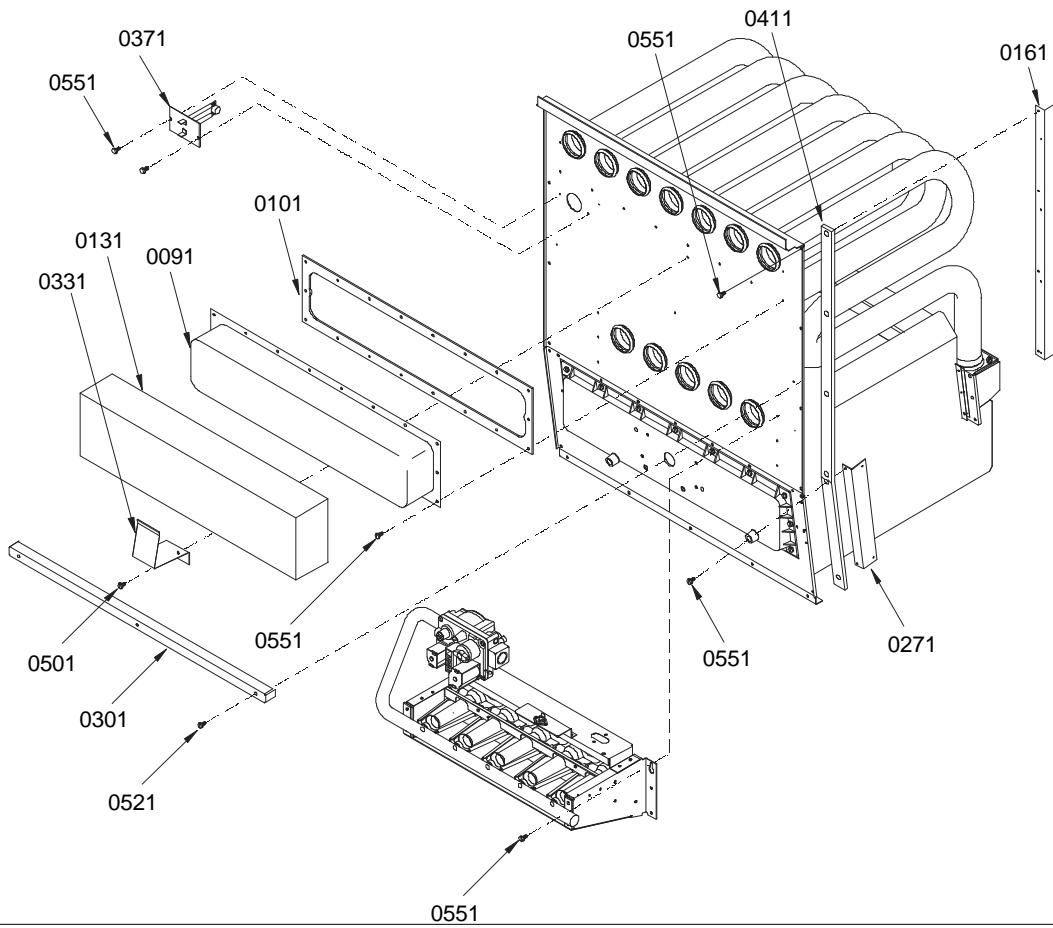
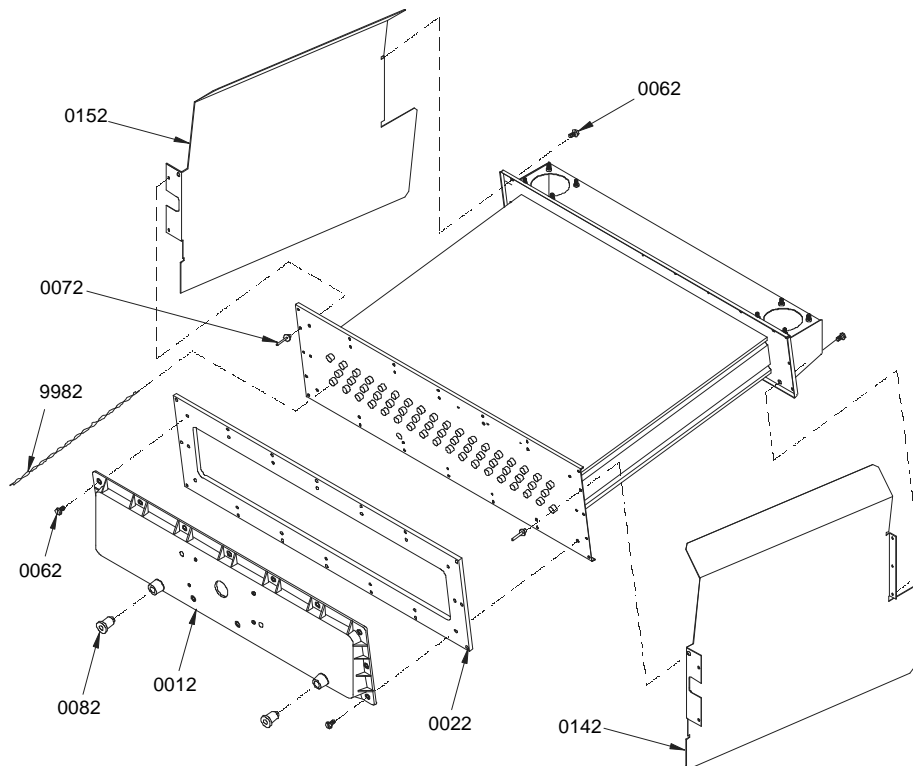


Image 1

Image 2



Heat Exchanger/Manifold Assembly and Recupe Coil Assembly

Ref. Part No:	Part No:	Description:	Ref. Part No:	Part No:	Description:
---------------	----------	--------------	---------------	----------	--------------

Image 1

0091	D9981001	BOX-COLLECTOR (M1, M2, M3)
0091	D9981101	BOX-COLLECTOR (M4, M5, M6)
0101	D9983001	GASKET-COLL BOX (M1, M2, M3)
0101	D9983002	GASKET-COLL BOX (M4, M5, M6)
0131	D9987601	INSUL-COLL BOX (M1, M2, M3)
0131	D9987602	INSUL-COLL BOX (M4, M5, M6)
0161	D9992403	ANGLE-SUPPORT (QTY 2)
0271	C6449901	ANGLE-SUPPORT (QTY 2)
0301	C6457401	STIFFENER-PANEL (M1)
0301	C6457402	STIFFENER-PANEL (M2, M3)
0301	C6457403	STIFFENER-PANEL (M4, M5, M6)
0331	C6471201	BRKT-INSUL
0371	10250802	LIMIT (M1, M2)
0371	10250803	LIMIT (M4)
0371	10250807	LIMIT (M3)
0371	10250808	LIMIT (M5)
0371	10250815	LIMIT (M6)
0411	11066201	GASKET-PART PANEL (QTY 2)
0501	M0211016	SCREW-SM
0521	M0211022	SCREW-SM (QTY 3)
0551	M0219916	SCREW-SM (QTY AR)

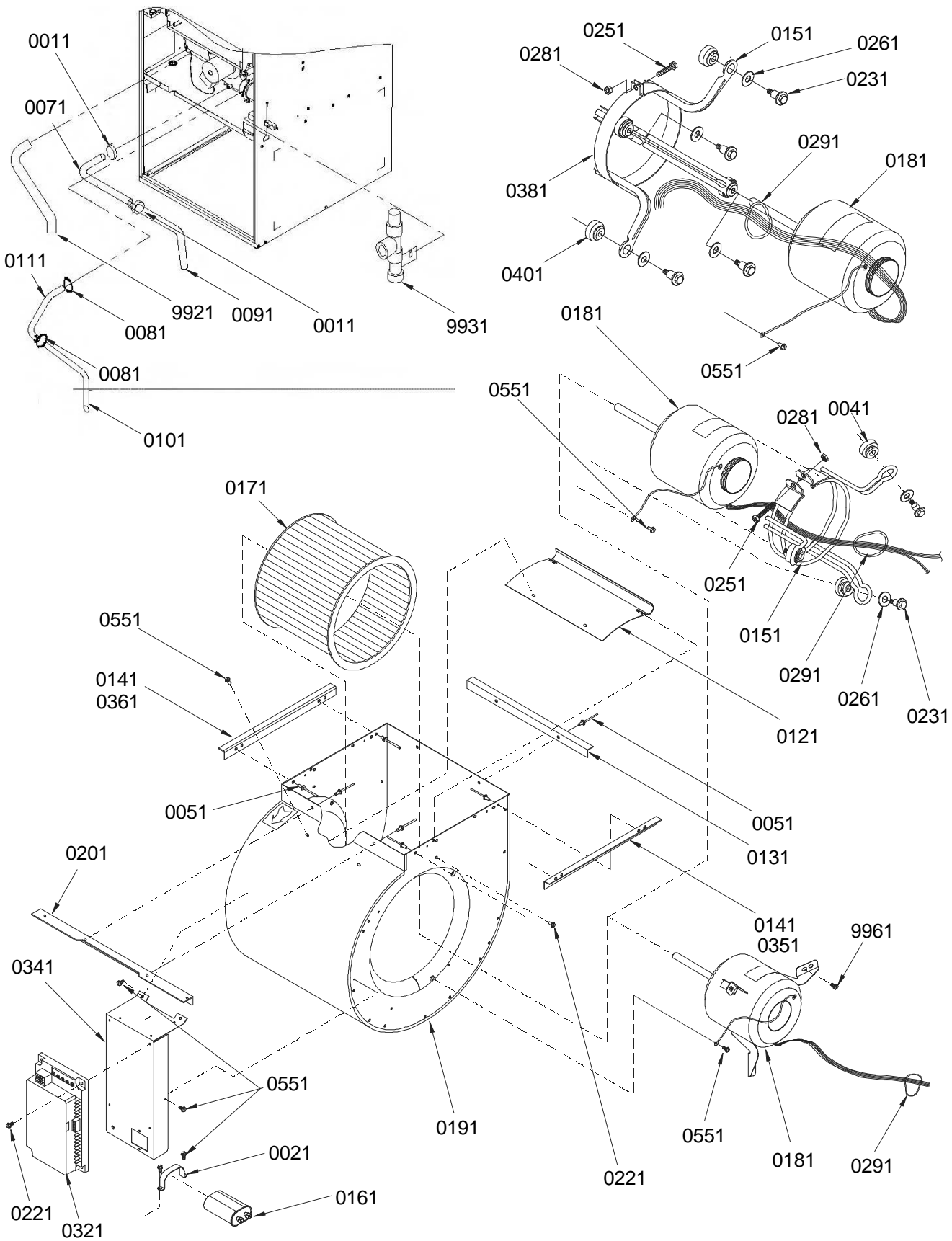
Image 2

0012	10197005	COVER-FR RECUPE (M1)
0012	10197101	COVER-FR RECUPE (M2, M3)
0012	10197201	COVER-FR RECUPE (M4, M5)
0012	10197202	COVER-FR RECUPE (M6)
0022	D9875101	GASKET-FR COV (M1)
0022	D9875102	GASKET-FR COV (M2, M3)
0022	D9875103	GASKET-FR COV (M4, M5, M6)
0062	M0211031	SCREW-SM (QTY AR)
0072	A4539606	RIVET-POP (QTY 4)
0082	M0326804	PLUG-TUBE (QTY 2)
0142	20011601	SHIELD-COIL
0152	20011602	SHIELD-COIL
9982	11086001	TURBULATOR (QTY AR)

Expanded Model and Color Nomenclature

M1 - GUX045X30B	P1213001F
M2 - GUX070X30B	P1213002F
M3 - GUX070X40B	P1213003F
M4 - GUX090X35B	P1213004F
M5 - GUX090X50B	P1213005F
M6 - GUX115X50B	P1213006F

Blower Assembly and Drain Tubes



Blower Assembly and Drain Tubes

Ref. Part No:	Part No:	Description:	Ref. Part No:	Part No:	Description:
<i>Image 1</i>			Expanded Model and Color Nomenclature		
0000	10324220	BLOW HSG WELD-PNT (M1, M2, M4)	M1 - GUX045X30B		P1213001F
0000	M0102318	CLAMP-TUBE	M2 - GUX070X30B		P1213002F
0000	M0216531	SCREW-SM	M3 - GUX070X40B		P1213003F
0011	M0119207	CLAMP-HOSE (QTY 2)	M4 - GUX090X35B		P1213004F
0021	A3410501	STRAP-CAPACITOR (M5, M6)	M5 - GUX090X50B		P1213005F
0021	A4055402	STRAP-CAPACITOR (M1, M2, M3, M4)	M6 - GUX115X50B		P1213006F
0041	A4002702	GROMMET (M1, M2, M3, M4, M5) (QTY 3)			
0051	A4539611	RIVET-POP (QTY AR)			
0071	10194301	HOSE-DRAIN			
0081	M0119206	CLAMP-HOSE (QTY 2)			
0091	10194501	TUBE-DRAIN			
0101	10194601	TUBE-DRAIN			
0111	10220701	HOSE-R DRAIN			
0121	C6121807	CUTOFF (M3, M5, M6)			
0121	C6121810	CUTOFF (M1, M2, M4)			
0131	C6392833	ANGLE-BLOWER (M3, M5, M6)			
0131	C6392834	ANGLE-BLOWER (M1, M2, M4)			
0141	C6392906	ANGLE-BLOWER (M1, M2, M3, M4, M5) (QTY 2)			
0151	10441501	ARM-MTR MOUNT (M6) (QTY 4)			
0151	C9443701	BRKT-MOTOR MT (M3, M5)			
0161	10099901	CAPACITOR (M1, M2)			
0161	10099902	CAPACITOR (M4)			
0161	D6859325	CAPACITOR (M3)			
0161	D6879739	CAPACITOR (M5, M6)			
0171	D6723302	WHEEL-BLOWER (M1, M2, M4)			
0171	D6723306	WHEEL-BLOWER (M3, M5)			
0171	D6723311	WHEEL-BLOWER (M6)			
0181	20046601	MOTOR BLOW 1/3 HP (M2)			
0181	20046608	MOTOR-BLOW 1/2 HP (M4)			
0181	20046701	MOTOR-BLOW 1/3 HP (M1)			
0181	10219603	MOTOR-BLOWER 3/4 (M3)			
0181	10219707	MOTOR-BLOWER 3/4 (M5, M6)			
0191	10324220	BLOW HSG WELD-PNT (M1, M2, M4)			
0191	10324222	BLOW HSG WELD-PNT (M6)			
0191	10324224	BLOW HSG WELD-PNT (M3, M5)			
0201	D9950103	ANGLE-BLOWER FR (M3, M5)			
0201	D9950104	ANGLE-BLOWER FR (M1, M2, M4)			
0201	D9950113	ANGLE-BLOWER FR (M6)			
0221	M0211020	SCREW-SM (QTY AR)			
0231	M0221461	SCREW-TC (M1, M2, M3, M4, M5) (QTY 3)			
0231	M0221461	SCREW-TC (M6) (QTY 4)			
0251	M0267144	SCREW-MACH			
0261	M0274008	WASHER-FLAT (M1, M2, M3, M4, M5) (QTY 3)			
0261	M0274008	WASHER-FLAT (M6) (QTY 4)			
0281	M0282015	NUT-KEPS			
0291	M0321202	TIE-ELEC			
0321	10207710	CONTROL-INTEG			
0341	10746201	BRKT-CONTROL			
0351	C6421201	ANGLE-BLOWER (M6)			
0361	C6421202	ANGLE-BLOWER (M6)			
0381	10441601	BAND-MTR MOUNT (M6)			
0401	A4002701	GROMMET (M6) (QTY 4)			
0551	M0219916	SCREW-SM (QTY AR)			
9921	10220801	HOSE-L DRAIN			
9931	20158401	STANDPIPE ASSY			
9961	M0250558	SCREW-TC (M1, M2, M4) (QTY 3)			

Blower Pipe Assembly/Manifold Assembly

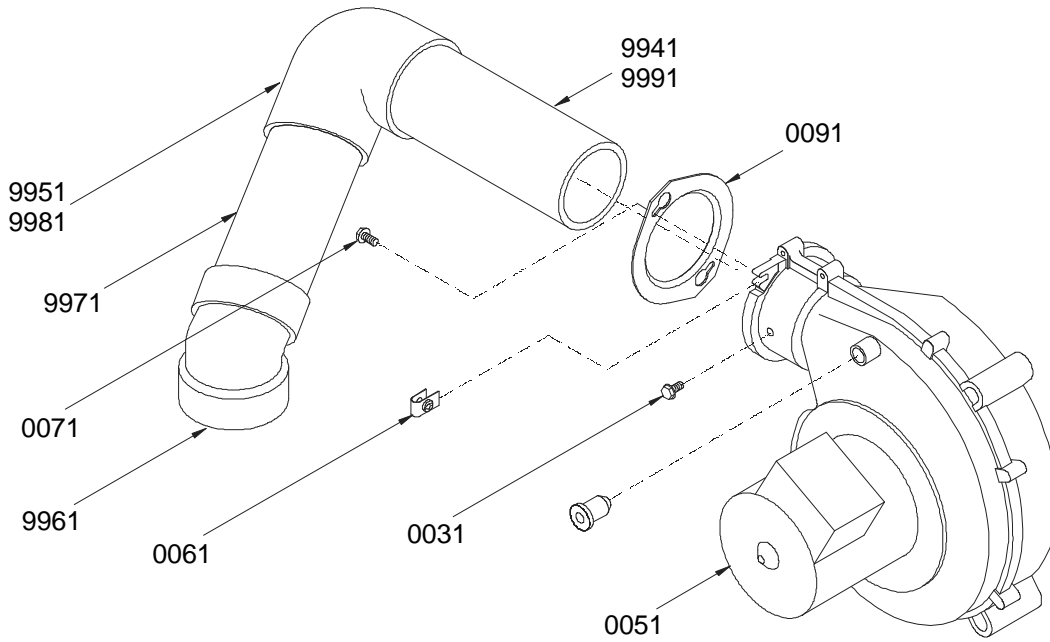
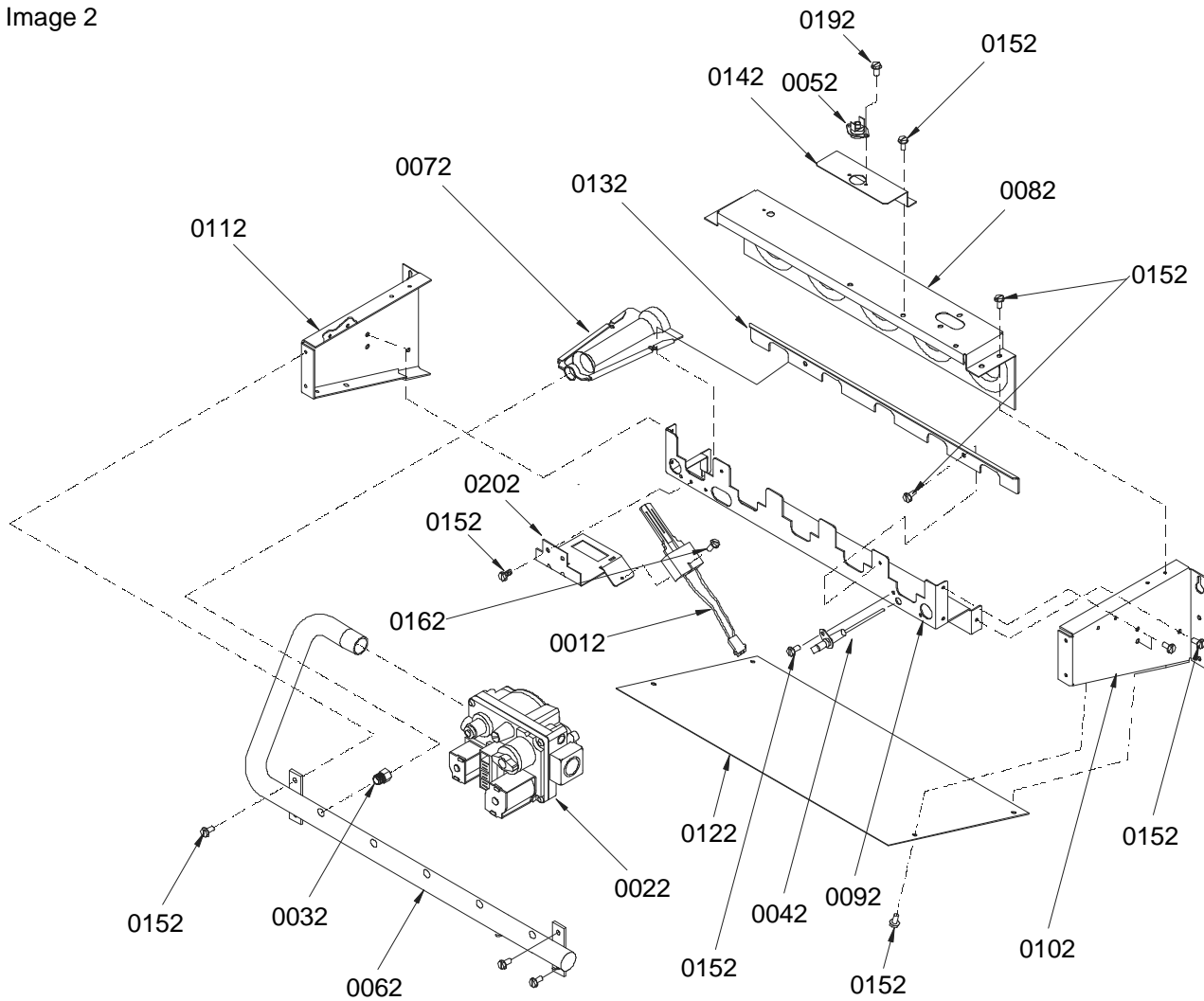


Image 1

Image 2



Blower Pipe Assembly/Manifold Assembly

Ref. No:	Part No:	Description:	Ref. No:	Part No:	Description:
----------	----------	--------------	----------	----------	--------------

Image 1

0031	M0236717	SCREW-SM
0051	D9868607	BLOWER-ID (M4, M5)
0051	D9868609	BLOWER-ID (M6)
0051	D9868610	BLOWER-ID (M1, M2, M3)
0061	M0283201	NUT-U TYPE SPEED (QTY 2)
0071	M0200304	SCREW-MACH (QTY 2)
0091	D9849601	COLLAR-PIPE
9941	B1370921	PIPE, PVC STRAIGHT (M2, M3, M4, M5, M6)
9951	10241601	ELBOW, 90° (M2, M3, M4, M5, M6)
9961	C6455901	ELBOW, 22 1/2 ELL (M1)
9971	B1370923	PIPE, PVC STRAIGHT (M1)
9981	C6458205	ELBOW, CUTOFF (M1)
9991	B1370917	PIPE, PVC STRAIGHT (M1)

Image 2

0012	10735002	IGNITOR
0022	C6476907	VALVE-GAS
0032	10716003	ORIFICE (QTY AR)
0042	10735201	FLAME-SENSOR
0052	10123503	LIMIT-RESET MAN
0062	10452801	MANIFOLD (M1)
0062	10452802	MANIFOLD (M2, M3)
0062	10452803	MANIFOLD (M4, M5)
0062	10452804	MANIFOLD (M6)
0072	10735102	BECKETT BURNER (QTY AR)
0082	D9950428	BRKT-SHIELD & MTG (M1)
0082	D9950429	BRKT-SHIELD & MTG (M2, M3)
0082	D9950430	BRKT-SHIELD & MTG (M4, M5)
0082	D9950431	BRKT-SHIELD & MTG (M6)
0092	11008101	BRKT-BURNER (M1)
0092	11008102	BRKT-BURNER (M2, M3)
0092	11008103	BRKT-BURNER (M4, M5)
0092	11008104	BRKT-BURNER (M6)
0102	10499303	BRKT-R MANIFOLD
0112	10499403	BRKT-L MANIFOLD
0122	D9974006	SHIELD-ID BLOWER (M1)
0122	D9974007	SHIELD-ID BLOWER (M2, M3)
0122	D9974008	SHIELD-ID BLOWER (M4, M5)
0122	D9974009	SHIELD-ID BLOWER (M6)
0132	10734701	BRKT-LOCK BURNER (M1)
0132	10734702	BRKT-LOCK BURNER (M2, M3)
0132	10734703	BRKT-LOCK BURNER (M4, M5)
0132	10734704	BRKT-LOCK BURNER (M6)
0142	10118902	BRKT-SENSOR
0152	M0216529	SCREW-SM (QTY AR)
0162	M0216519	SCREW-SM
0192	M0212517	SCREW-SM (QTY 2)
0202	11008703	BRKT-SENSOR

Expanded Model and Color Nomenclature

M1 - GUX045X30B	P1213001F
M2 - GUX070X30B	P1213002F
M3 - GUX070X40B	P1213003F
M4 - GUX090X35B	P1213004F
M5 - GUX090X50B	P1213005F
M6 - GUX115X50B	P1213006F