

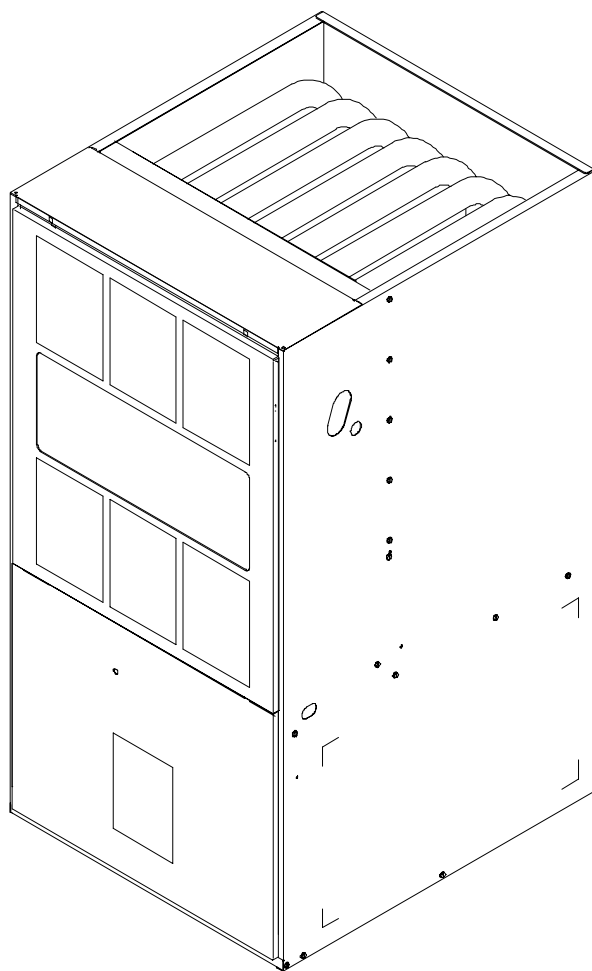
Models and manufacturing
numbers in this manual

GCD070X30B P1212802F
GCD090X40B P1212804F

Parts

GCD Model Furnaces

Parts Manual for
Amana®



This manual is to be used by qualified appliance technicians only. Amana does not assume any responsibility for property damage or personal injury for improper service procedures done by an unqualified person.



RP6610009
Revision 0
September 1996

Important Information

Raytheon Appliances is not responsible for personal injury or property damage resulting from improper service. Review all service information before beginning repairs.

Warranty service must be performed by an authorized technician, using authorized factory parts. If service is required after the warranty expires, Raytheon Appliances also recommends contacting an authorized technician and using authorized factory parts. Locate an authorized technician by calling 800-NATLSVC (800-628-5782).

For assistance within the U.S.A. contact:

Consumer Affairs Department
Amana, Raytheon Appliances
2800 220th Trail
PO Box 8901
Amana IA 52204-0001
319-622-5511--Telephone
319-622-2977--Facsimile

For assistance outside the U.S.A. contact:

International Division
Amana, Raytheon Appliances
2800 220th Trail
PO Box 8901
Amana IA 52204-0001
USA
319-622-5511--Telephone
319-622-8595--Facsimile

Index

Functional Parts List 5
Illustration and Parts 6 - 19

Views shown are for parts illustrations only, not servicing procedures.

Text Codes:

AR - As Required

0000 - Not Shown

QTY - Quantity Example (QTY 3) (If Quantity not shown, Quantity = 1)

M - Model Example (M1) (If M Code not shown, then part is used on all Models)

Expanded Model and Color Nomenclature:

Example	
M1 - Model#1	P _____
M2 - Model#2	P _____
M3 - Model#3	P _____

Functional Parts

Part

No: Description:

D9868607	BLOWER-ID
10099901	CAPACITOR (M1)
D6859325	CAPACITOR (M2)
10207706	CONTROL-INTEG
10735201	FLAME-SENSOR
11135307	HARNESS-WIRING
10735002	IGNITER
10250807	LIMIT (M2)
10250802	LIMIT (M1)
10123509	LIMIT-RESET MAN
10219708	MOTOR-BLOWER 1/2 (M2)
10219804	MOTOR-BLOWER 1/3 (M1)
10716003	ORIFICE (QTY 3)
B9276201	SWITCH-INTERLOCK
10207912	SWITCH-PRESSURE (M1)
10207909	SWITCH-PRESSURE (M2)
C6349701	TRANSFORMER
C6476908	VALVE-GAS

SPECIAL PARTS

10373002	FILTER-AIR (M1)
C4855625	FILTER-AIR (M2)
10772904	INSTR-INSTALL
10318714	INSTR-INSTALL
RP6610009	MANUAL-PARTS
10318814	MANUAL-USERS

Expanded Model and Color Nomenclature

M1 - GCD070X30B	P1212802F
M2 - GCD090X40B	P1212804F

Front Panels

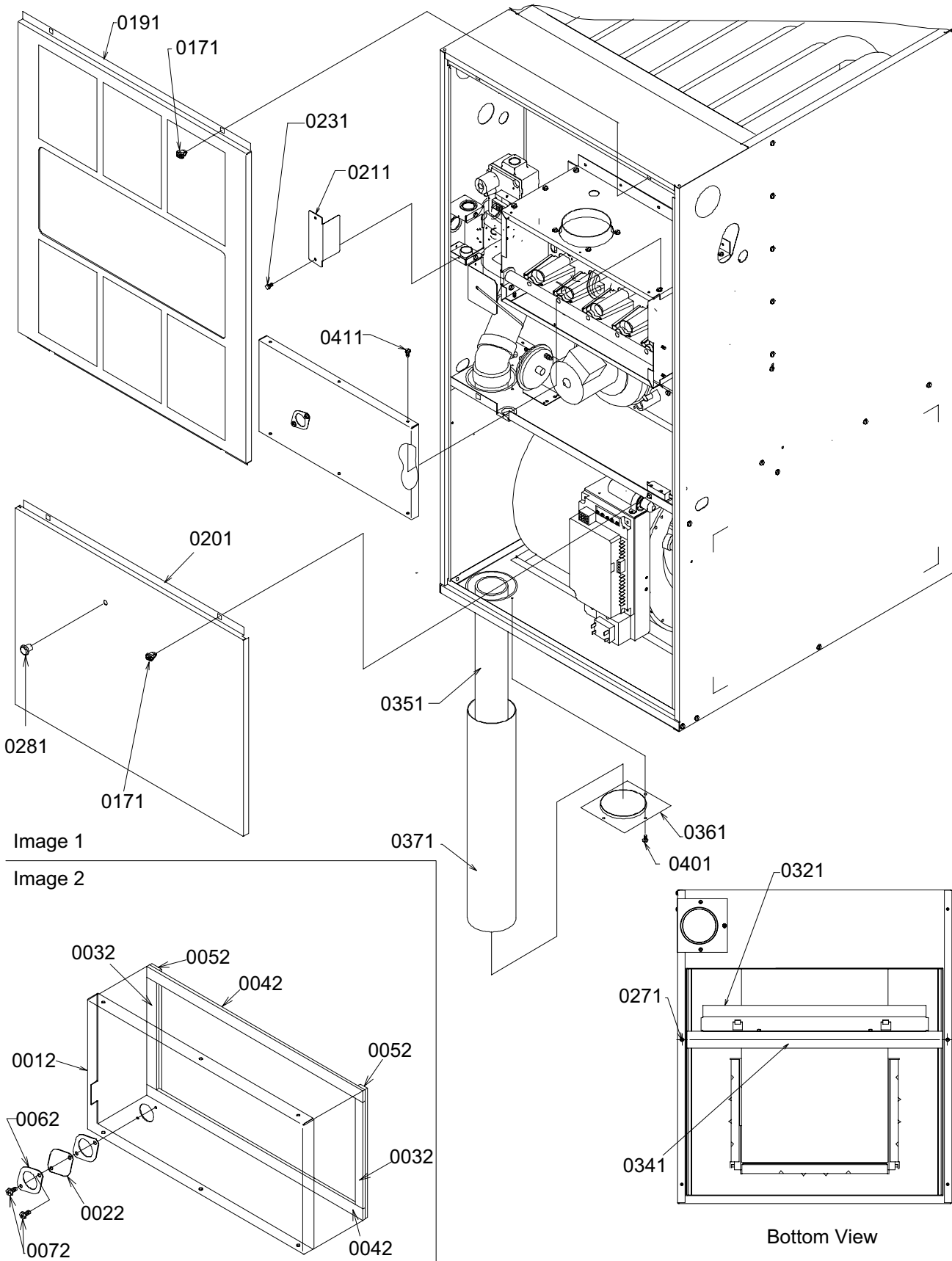


Image 1

Image 2

Front Panels

Ref. Part No:	Part No:	Description:	Ref. Part No:	Part No:	Description:
---------------	----------	--------------	---------------	----------	--------------

Image 1

0000	10195508	STANDPIPE ASSY
0171	B1388803	LATCH-1/4 TURN (QTY 4)
0191	D6988009	ACCESS DOOR (M1)
0191	D6988010	ACCESS DOOR (M2)
0201	D6979618	BLOWER DOOR (M2)
0201	D6979616	BLOWER DOOR (M1)
0211	10736201	COVER-HV BOX
0231	M0216529	SCREW-SM (QTY AR)
0271	M0211018	SCREW-SM (QTY AR)
0281	11104001	SNAP-BUSHING CLR
0331	10368501	RAIL-FILTER
0351	B1370909	PIPE-PVC STRAIGHT
0361	C6424004	VENT TUBE BKT
0371	11022001	TUBE-VENT
0401	M0219916	SCREW-SM (QTY AR)
0411	M0211016	SCREW-SM (QTY AR)

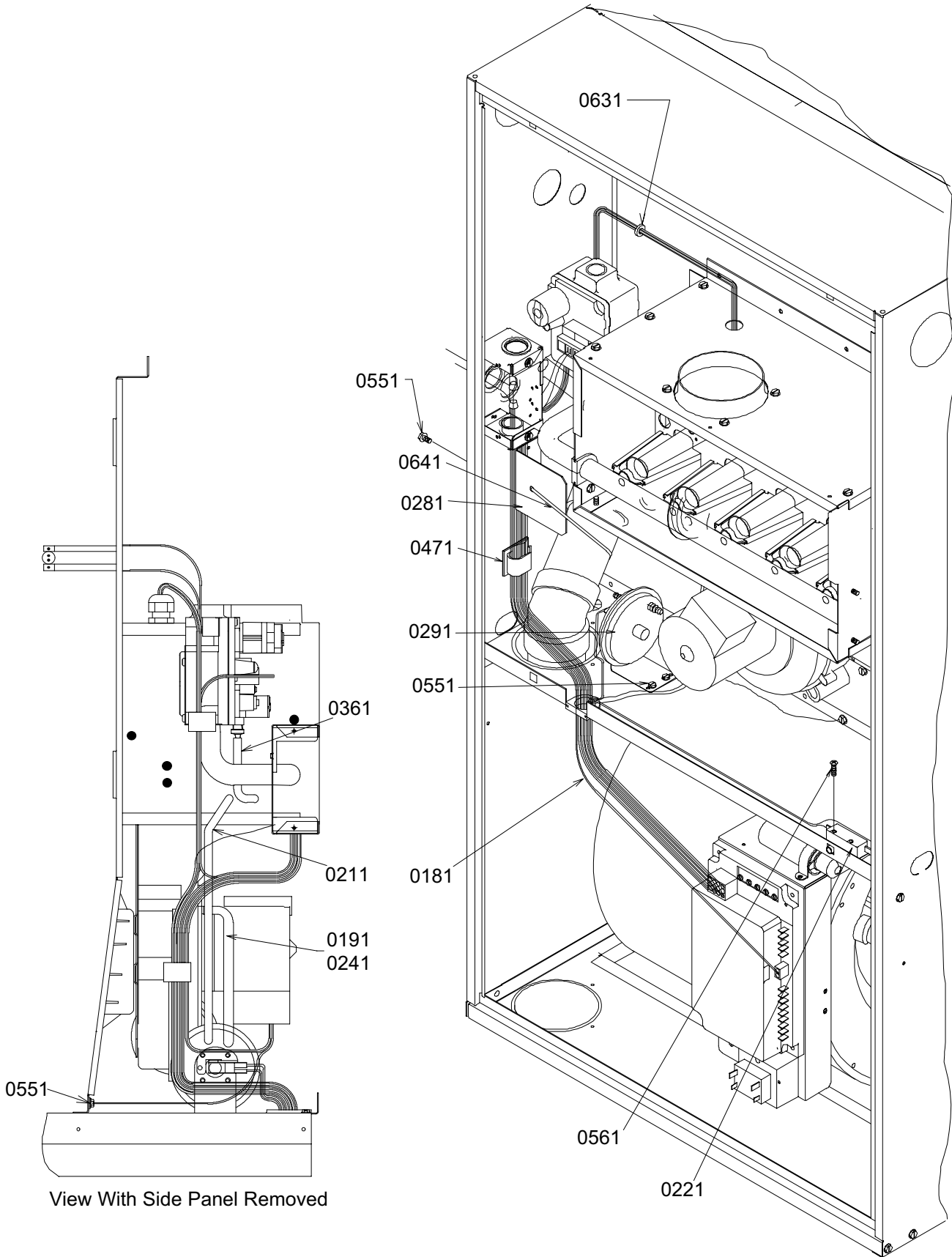
Image 2

0012	10236503	COVER-FRONT (M1)
0012	10236502	COVER-FRONT (M2)
0022	10250701	WINDOW
0032	B1425108	GASKET-HT SHIELD (QTY 2)
0042	B1425101	GASKET-HT SHIELD (M2)
0042	B1425104	GASKET-HT SHIELD (M1)
0052	B1425109	GASKET-HT SHIELD (QTY 2)
0062	10236701	FRAME-WINDOW
0072	M0216529	SCREW-SM (QTY AR)

Expanded Model and Color Nomenclature

M1 - GCD070X30B	P1212802F
M2 - GCD090X40B	P1212804F

Wiring



Wiring

Ref. Part No: No:	Description:	Ref. Part No: No:	Description:
------------------------------	---------------------	------------------------------	---------------------

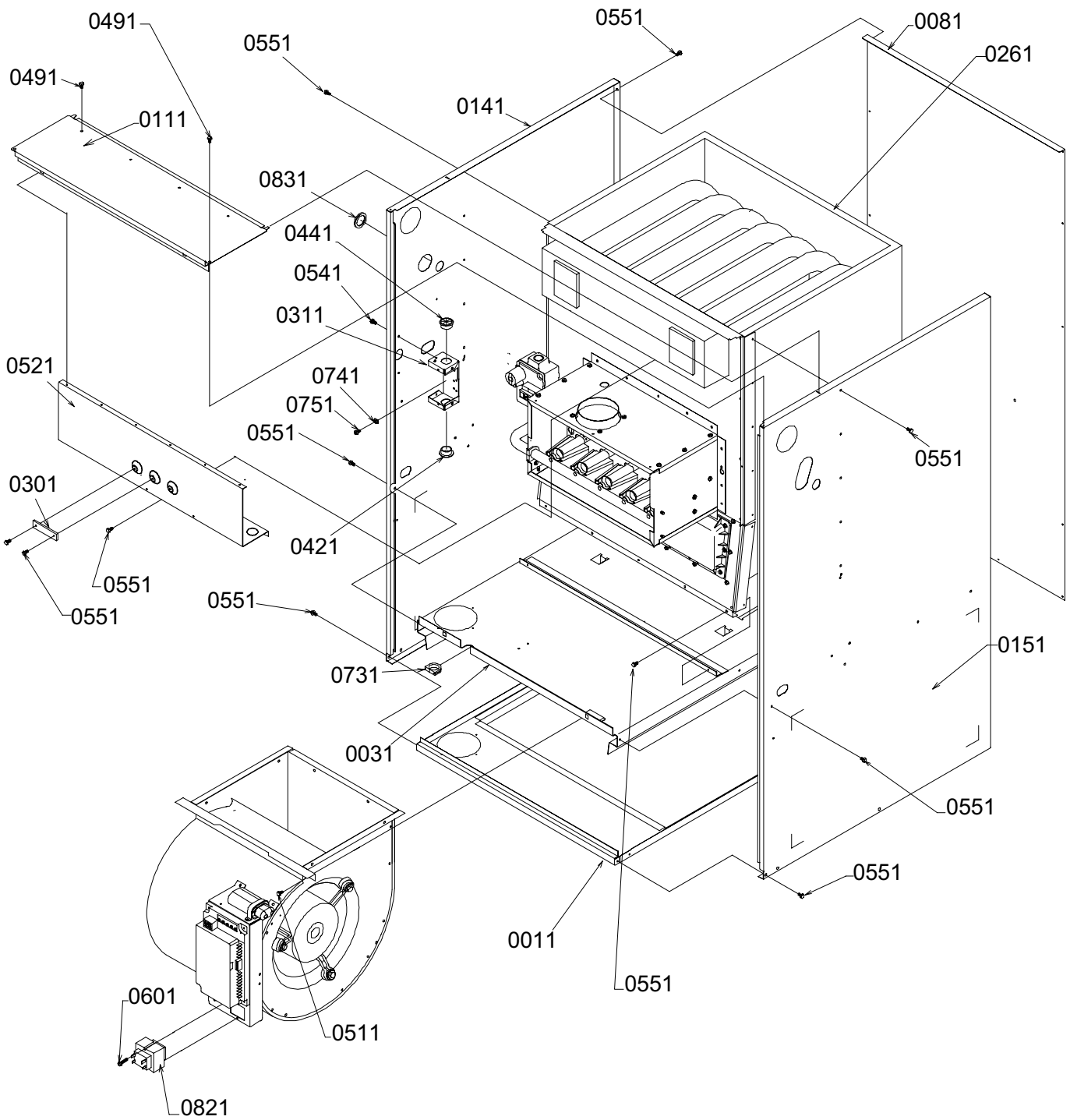
Image 1

0181	11135307	HARNES-WIRING
0191	B1410306	HOSE-PRESSURE SW
0211	B1410302	HOSE-PRESSURE SW
0221	B9276201	SWITCH-INTERLOCK
0241	C6424002	BRKT-VENT TUBE
0281	10314001	BRKT-ELBOW
0291	10207912	SWITCH-PRESSURE (M1)
0291	10207909	SWITCH-PRESSURE (M2)
0361	B1410306	HOSE-PRESSURE SW
0471	M0104102	CLIP-CORD
0551	M0219916	SCREW-SM (QTY AR)
0561	M0227525	SCREW-TC (QTY 2)
0631	M0321202	TIE-ELEC (QTY 5)
0641	M0321208	TIE-ELEC

Expanded Model and Color Nomenclature

M1 - GCD070X30B	P1212802F
M2 - GCD090X40B	P1212804F

Outer Cabinet



Outer Cabinet

Ref. Part No:	Part No:	Description:	Ref. Part No:	Part No:	Description:
<i>Image 1</i>					
0011	D9902316	BASEPAN WELD (M1)			
0011	D9902318	BASEPAN WELD (M2)			
0031	10309222	BLOWER DECK WELD (M1)			
0031	10309223	BLOWER DECK WELD (M2)			
0081	D9965812	BACK PANEL (M2)			
0081	D9965810	BACK PANEL (M1)			
0111	D6995122	TOP COVER (M1)			
0111	D6995124	TOP COVER (M2)			
0141	10452012	L-SIDE PANEL			
0151	10452412	R-SIDE PANEL			
0261	C6415905	INSUL-HT EX (M1)			
0261	C6415906	INSUL-HT EX (M2)			
0301	10261901	STRIP-SUPPORT			
0311	10736102	BOX-HIGH VOLTAGE			
0421	A4554801	BUSHING-SNAP			
0441	M0571002	BUSHING-SNAP			
0491	M0211530	SCREW-SM (QTY AR)			
0511	M0211018	SCREW-SM (QTY AR)			
0521	10261803	SHIELD-AIR PIPE (M2)			
0521	10261802	SHIELD-AIR PIPE (M1)			
0541	M0216716	SCREW-SM (QTY AR)			
0551	M0219916	SCREW-SM (QTY AR)			
0601	M0216536	SCREW-SM (QTY AR)			
0731	A4568804	GROMMET-D			
0741	M0270001	WASHER-CUP			
0751	M0227803	SCREW-TC			
0821	C6349701	TRANSFORMER			
0831	A4603801	GROMMET			

Expanded Model and Color Nomenclature

M1 - GCD070X30B	P1212802F
M2 - GCD090X40B	P1212804F

Partition Tube/Collector Box/Manifold

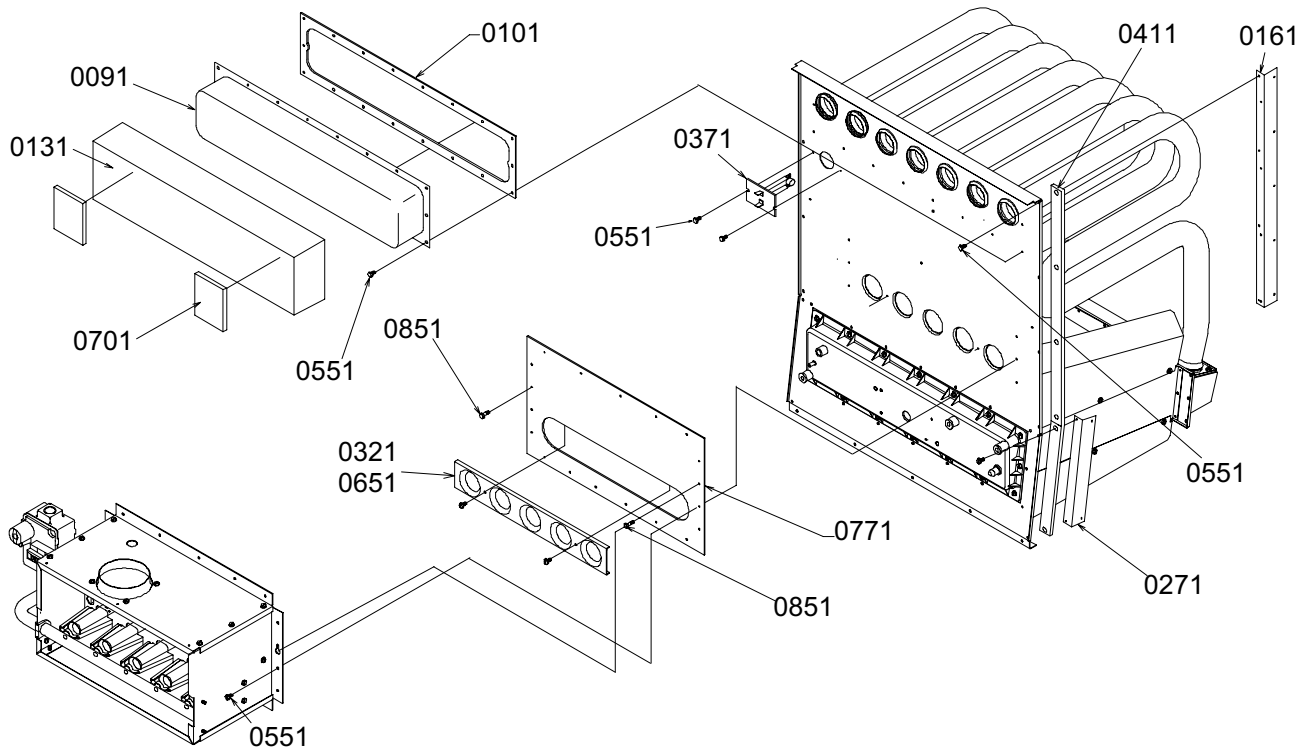
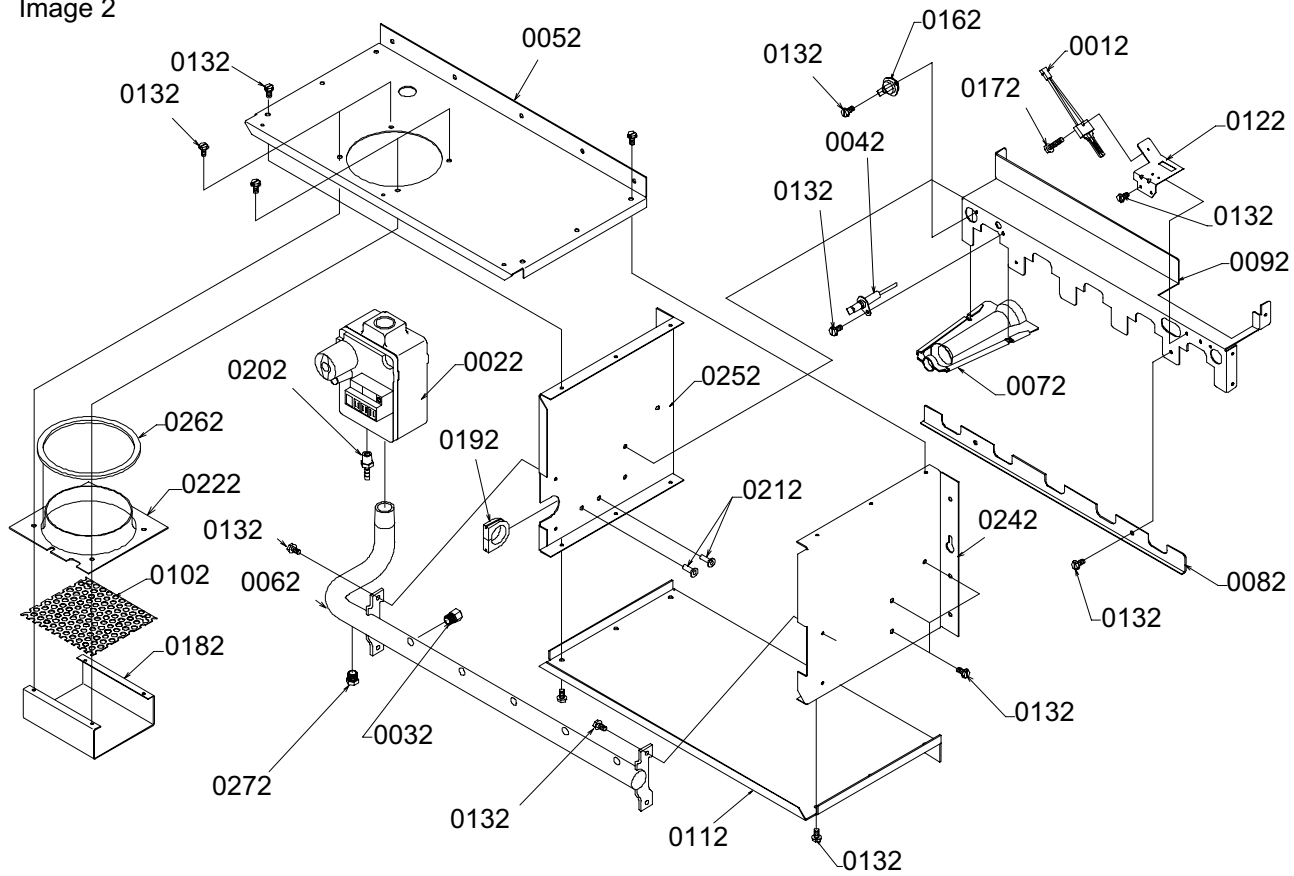


Image 1

Image 2



Partition Tube/Collector Box/Manifold

Ref. Part No:	Part No:	Description:	Ref. Part No:	Part No:	Description:
---------------	----------	--------------	---------------	----------	--------------

Image 1

0091	D9981101	BOX-COLLECTOR (M2)
0091	D9981001	BOX-COLLECTOR (M1)
0101	D9983001	GASKET-COLL BOX (M1)
0101	D9983002	GASKET-COLL BOX (M2)
0131	D9987601	INSUL-COLL BOX (M1)
0131	D9987602	INSUL-COLL BOX (M2)
0161	D9992403	ANGLE-SUPPORT (QTY 2)
0271	C6449901	ANGLE-SUPPORT (QTY 2)
0321	11072202	SHIELD-ORIFICE (M1)
0321	11072203	SHIELD-ORIFICE (M2)
0371	10250807	LIMIT (M2)
0371	10250802	LIMIT (M1)
0411	11066201	GASKET-PART PANEL (QTY 2)
0551	M0219916	SCREW-SM (QTY AR)
0651	M0211020	SCREW-SM (QTY AR)
0701	C6430402	INSULATION (QTY 2)
0771	10250603	GASKET-FA BOX (M2)
0771	10250602	GASKET-FA BOX (M1)
0851	M0220757	SCREW-SHLDR (QTY 2)

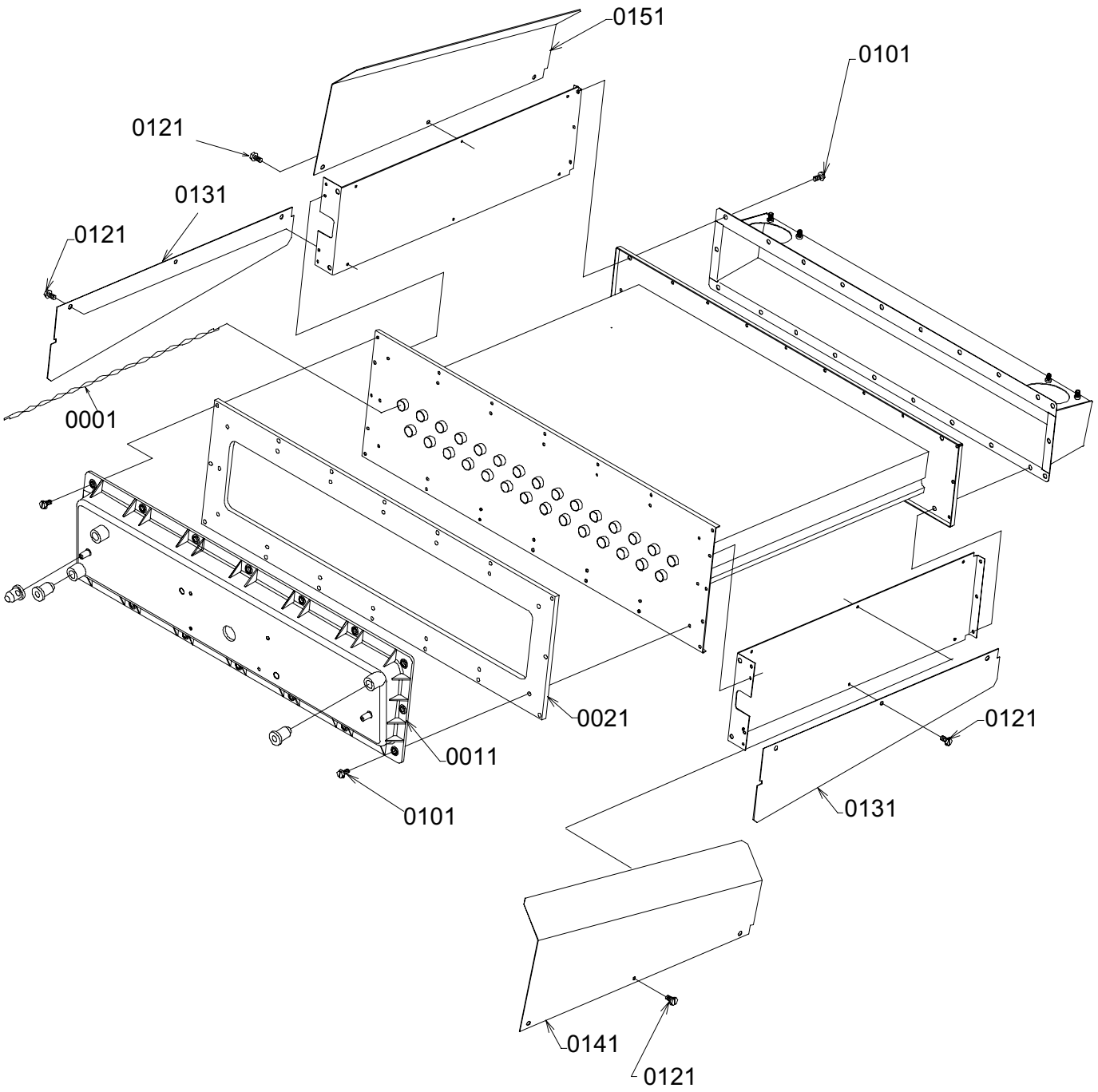
Image 2

0012	10735002	IGNITER
0022	C6476908	VALVE-GAS
0032	10716003	ORIFICE (QTY 3)
0042	10735201	FLAME-SENSOR
0052	10237010	TOP-FA BOX (M1)
0052	10237011	TOP-FA BOX (M2)
0062	10249702	MANIFOLD (M2)
0062	10249703	MANIFOLD (M1)
0072	10735102	BECKETT BURNER (QTY 3)
0082	10734703	BRKT-LOCK BURNER (M2)
0082	10734702	BRKT-LOCK BURNER (M1)
0092	11008102	BRKT-BURNER (M1)
0092	11008103	BRKT-BURNER (M2)
0102	10249501	BAFFLE-FLUE
0112	10237007	BOTTOM-FA BOX (M1)
0112	10237006	BOTTOM-FA BOX (M2)
0122	11008703	BRKT-SENSOR
0132	M0216529	SCREW-SM (QTY AR)
0162	10123509	LIMIT-RESET MAN
0172	M0216519	SCREW-SM (QTY AR)
0182	10238702	BAFFLE-FA PIPE
0192	A4568803	GROMMET-D
0202	10218701	HOSE-BARB
0212	A4539628	RIVET-POP (QTY 2)
0222	10238801	EXTRUSION-FA PIPE
0242	10237502	SIDE-R FA BOX
0252	10238602	SIDE-L FA BOX
0262	10249601	GASKET-FA EXTRSN
0272	M0750101	PLUG-PIPE

Expanded Model and Color Nomenclature

M1 - GCD070X30B	P1212802F
M2 - GCD090X40B	P1212804F

Recupe Coil



Recupe Coil

Ref. Part	Ref. Part		
No: No:	No: No:	Description:	Description:

Image 1

0001	11086002	TURBULATOR (QTY 23)
0011	10197201	COVER-FR RECUPE (M2)
0011	10197103	COVER-FR RECUPE (M1)
0021	D9875103	GASKET-FR COV (M2)
0021	D9875102	GASKET-FR COV (M1)
0101	M0211031	SCREW-SM (QTY AR)
0121	M0219916	SCREW-SM (QTY AR)
0131	10238302	SKIRT-SHIELD (QTY 2)
0141	10241502	EXTENSION-SHIELD
0151	10241503	EXTENSION-SHIELD

Expanded Model and Color Nomenclature

M1 - GCD070X30B	P1212802F
M2 - GCD090X40B	P1212804F

Blower Pipe

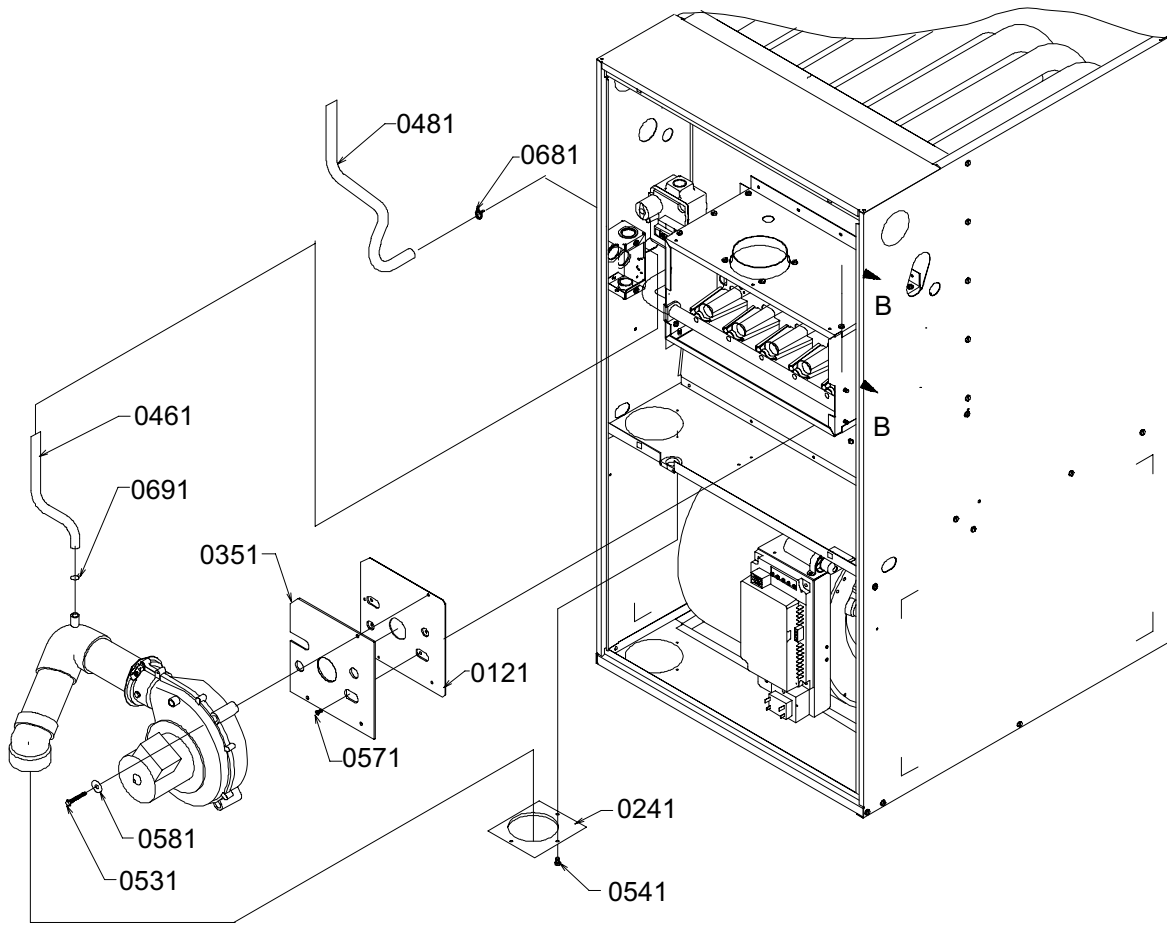
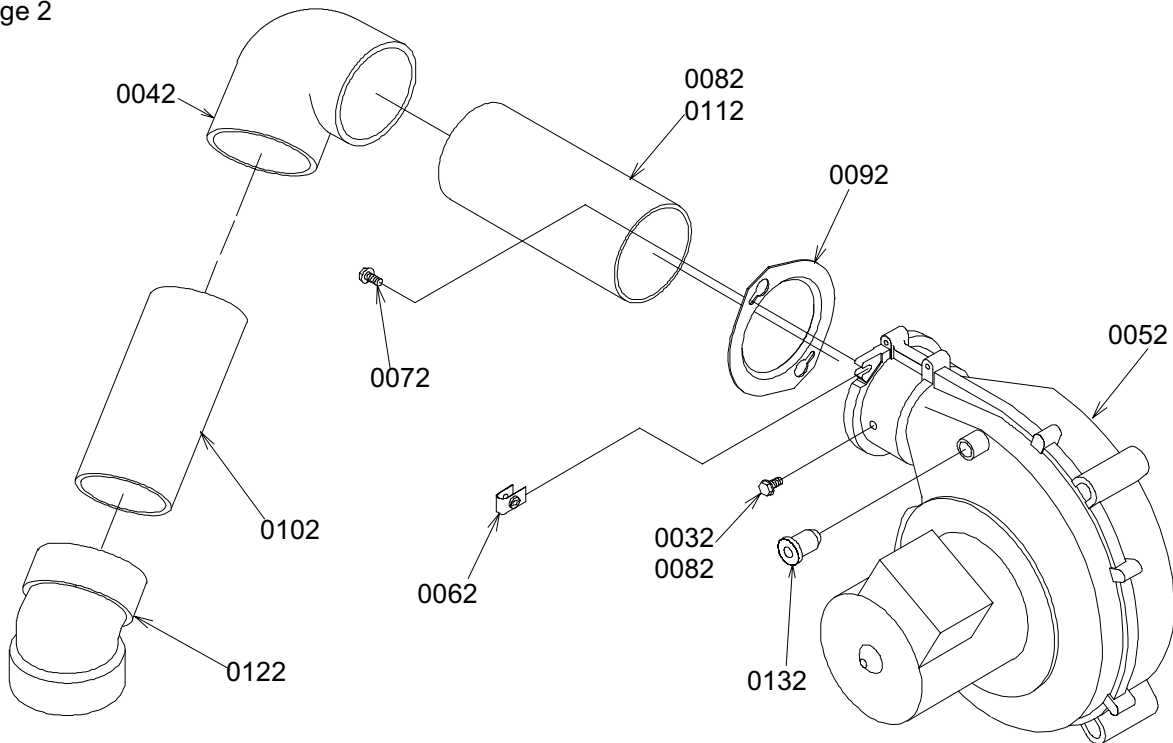


Image 1

Image 2



Blower Pipe

Ref. Part No:	Part No:	Description:	Ref. Part No:	Part No:	Description:
---------------	----------	--------------	---------------	----------	--------------

Image 1

0121	D9986603	PLATE-BLOWER
0241	C6424002	BRKT-VENT TUBE
0351	D9855802	GASKET-BLOW PLT
0461	C6458101	HOSE-DRAIN
0481	10241101	HOSE-DRAIN
0531	M0218151	SCREW-SM (QTY AR)
0541	M0216716	SCREW-SM (QTY AR)
0571	M0228032	SCREW-TC (QTY 4)
0581	M0270528	WASHER-FLAT (QTY 4)
0681	M0119206	CLAMP-HOSE
0691	M0117603	CLAMP-HOSE

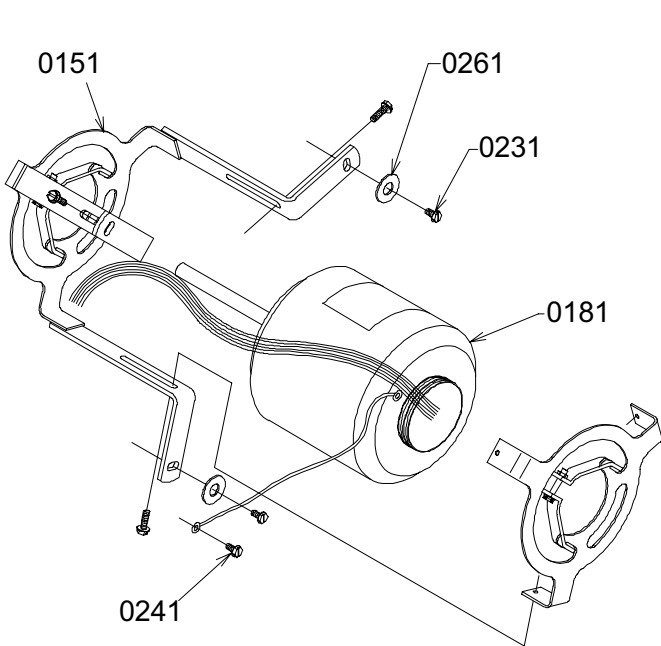
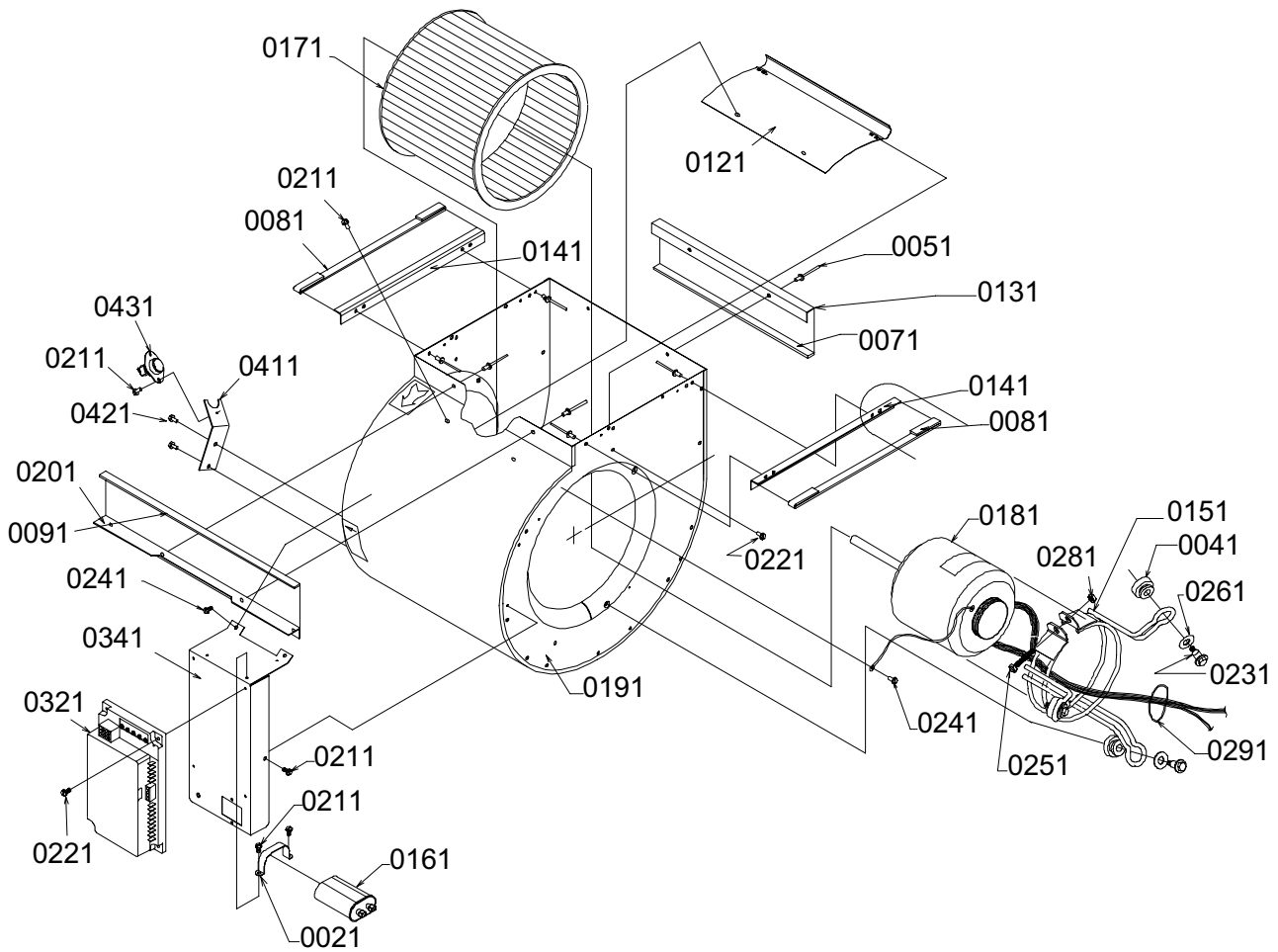
Image 2

0032	M0236717	SCREW-SM (QTY AR)
0042	C6458302	ELBOW ASSY
0052	D9868607	BLOWER-ID
0062	M0283201	NUT-U TYPE SPEED (QTY 2)
0072	M0200304	SCREW-MACH (QTY 2)
0082	M0275402	SEALER (QTY 9)
0092	D9849601	COLLAR-PIPE
0102	B1370924	PIPE-PVC STRAIGHT
0112	B1370926	PIPE-PVC STRAIGHT
0122	C6455901	ELBOW-22 1/2 ELL
0132	M0326802	PLUG-TUBE

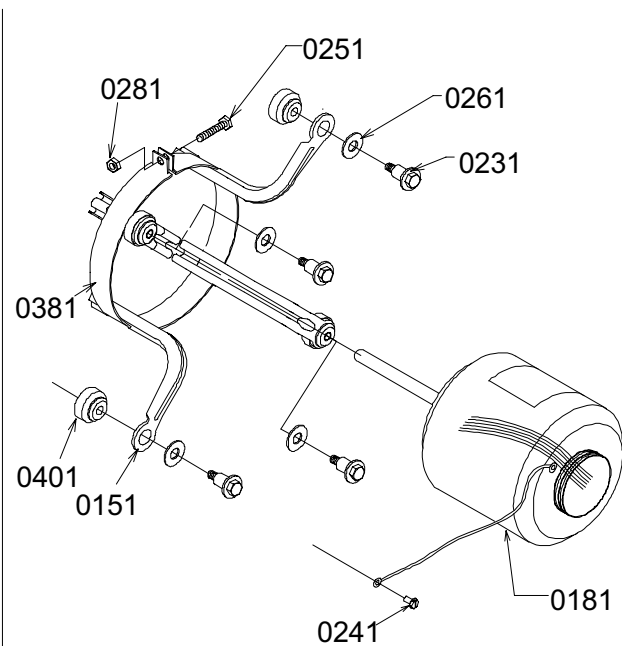
Expanded Model and Color Nomenclature

M1 - GCD070X30B	P1212802F
M2 - GCD090X40B	P1212804F

Blower



Alternate Motor Mount



M2 Motor Mount

Blower

Ref. Part No:	Part No:	Description:	Ref. Part No:	Part No:	Description:
<i>Image 1</i>					
0021	A4055402	STRAP-CAPACITOR			
0041	A4002702	GROMMET (M1)			
0051	A4539611	RIVET-POP (QTY AR)			
0071	B1136502	FELT-BACK			
0081	B1136517	FELT-SIDE (M1)			
0081	B1136518	FELT-SIDE (M2)			
0091	B1136519	FELT-FRONT			
0121	C6121810	CUTOFF (M1)			
0121	C6121807	CUTOFF (M2)			
0131	C6392833	ANGLE-BLOWER (M2)			
0131	C6392834	ANGLE-BLOWER (M1)			
0141	C6392906	ANGLE-BLOWER (M1)			
0141	C6421202	ANGLE-BLOWER (M2)			
0141	C6421201	ANGLE-BLOWER (M2)			
0151	10441501	ARM-MTR MOUNT (M2)			
0151	C9443702	BRKT-MOTOR MT (M1)			
0161	D6859325	CAPACITOR (M2)			
0161	10099901	CAPACITOR (M1)			
0171	D6723311	WHEEL-BLOWER (M2)			
0171	D6723302	WHEEL-BLOWER (M1)			
0181	10219708	MOTOR-BLOWER 1/2 (M2)			
0181	10219804	MOTOR-BLOWER 1/3 (M1)			
0191	10324220	BLOW HSG WELD (M1)			
0191	10324222	BLOW HSG WELD (M2)			
0201	D9950101	ANGLE-BLOWER FR (M2)			
0201	D9950104	ANGLE-BLOWER FR (M1)			
0211	M0211016	SCREW-SM (QTY AR)			
0221	M0211020	SCREW-SM (QTY AR)			
0231	M0221461	SCREW-TC (QTY AR)			
0241	M0233716	SCREW-SD (QTY 3)			
0251	M0267144	SCREW-MACH			
0261	M0274008	WASHER-FLAT (M1)			
0281	M0282015	NUT-KEPS			
0291	M0321202	TIE-ELEC			
0321	10207706	CONTROL-INTEG			
0341	10746201	BRKT-CONTROL			
0381	10441601	BAND-MTR MOUNT (M2)			
0401	A4002701	GROMMET (M2)			
0411	B1423601	BRKT-AUX LIMIT			
0421	M1252043	SCREW-TC (QTY 2)			
0431	M0352005	SWITCH			

Expanded Model and Color Nomenclature

M1 - GCD070X30B	P1212802F
M2 - GCD090X40B	P1212804F