

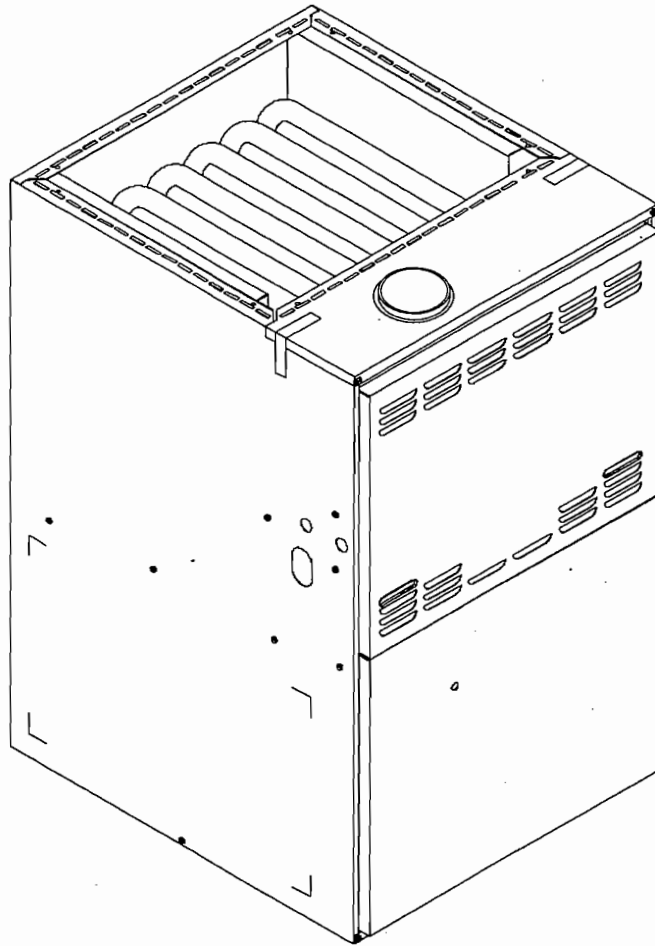
# Parts

## GUID Gas Furnace

This manual replaces RP6620014 Rev. 1.

Models and manufacturing numbers in this manual

GUID045CA30	P1212401F
GUID045CX30	P1212501F
GUID070CA30	P1212402F
GUID070CA40	P1212403F
GUID070CX30	P1212502F
GUID070CX40	P1212503F
GUID090CA30	P1212404F
GUID090CA50	P1212405F
GUID090CX30	P1212504F
GUID090CX50	P1212505F
GUID115CA50	P1212407F
GUID115CX50	P1212507F



This manual is to be used by qualified appliance technicians only. Amana does not assume any responsibility for property damage or personal injury for improper service procedures done by an unqualified person.

**Amana**

RP6620014  
Revision 2  
April 1999

## **Important Information**

---

Amana is not responsible for personal injury or property damage resulting from improper service. Review all service information before beginning repairs.

Warranty service must be performed by an authorized technician, using authorized factory parts. If service is required after the warranty expires, Amana also recommends contacting an authorized technician and using authorized factory parts. Locate an authorized technician by calling 800-NATLSVC (800-628-5782).

For assistance within the U.S.A. contact:

Consumer Affairs Department

Amana

2800 220th Trail

Amana IA 52204-0001

319-622-5511--Telephone

319-622-2977--Facsimile

For assistance outside the U.S.A. contact:

International Division

Amana

2800 220th Trail

Amana IA 52204-0001

USA

319-622-5511--Telephone

319-622-8595--Facsimile

# Index

Functional Parts List .....	4 - 5
Illustration and Parts .....	6 - 15

*Views shown are for parts illustrations only, not servicing procedures.*

M3, M4, M5, M9, M10, M11 GUID070CA40 P1212403F, GUID090CA30 P1212404F, GUID090CA50 P1212405F, GUID070CX40 P1212503F, GUID090CX30 P1212504F, GUID090CX50 P1212505F C9443702 WAS C9446702

### Text Codes:

AR - As Required

0000 - Not Shown

QTY - Quantity Example (QTY 3) (If Quantity not shown, Quantity = 1)

M - Model Example (M1) (If M Code not shown, then part is used on all Models)

NA - Not Available

### Expanded Model and Color Nomenclature:

Example	
M1 - Model#1	P _____
M2 - Model#2	P _____
M3 - Model#3	P _____

## Functional Parts

**Part****No:****Description:**

---

20002301	BLOWER-ID
10099901	CAPACITOR (M2, M8)
D6859325	CAPACITOR (M1, M3, M7, M9)
D6879739	CAPACITOR (M4, M10)
D6879746	CAPACITOR (M5, M6, M11, M12)
11184501	CONTROL-INTEG
10735201	FLAME-SENSOR
11135202	HARNESS-WIRING
10735002	IGNITOR
10728304	LIMIT (M6, M12)
10728326	LIMIT (M2, M8)
10728325	LIMIT (M3, M9)
10728322	LIMIT (M1, M7)
10728331	LIMIT (M4, M5, M10, M11)
10123510	LIMIT-RESET MAN (M2, M3, M6, M8, M9, M12)
10123511	LIMIT-RESET MAN (M1, M7)
10123506	LIMIT-RESET MAN
10123509	LIMIT-RESET MAN (M4, M5, M10, M11)
10759305	MOTOR-BLOW 1/2 HP (M4, M10)
10759406	MOTOR-BLOW 1/2 HP (M5, M11)
10759207	MOTOR-BLOW 1/2 HP (M3, M9)
10759206	MOTOR-BLOW 1/3 HP (M2, M8)
10759208	MOTOR-BLOW 1/3 HP (M1, M7)
10759407	MOTOR-BLOW 3/4 HP (M6, M12)
10716003	ORIFICE (QTY AR)
10690401	SWITCH-INTERLOCK
10727920	SWITCH-PRESSURE
11072301	TRAN-ID BLOW
C6349701	TRANSFORMER
C6476907	VALVE-GAS

# Functional Parts

## Part

**No: Description:**

---

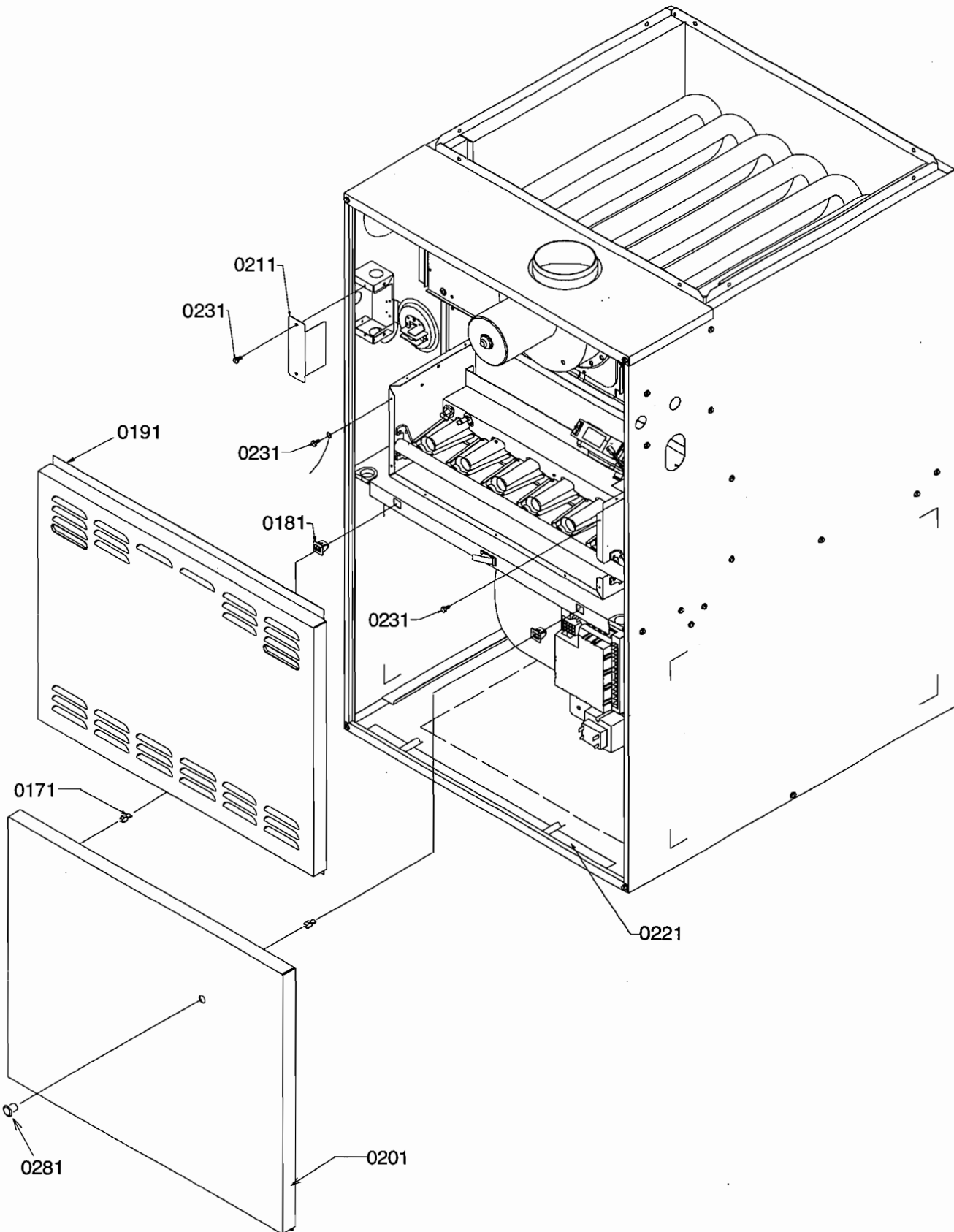
### SPECIAL PARTS

11067321	INSTR-INSTALL
10759815S	INSTRUCT-INSTALL
RP6620014	MANUAL-PARTS
RS6620002	MANUAL-SERVICE
11067322	MANUAL-USERS
10759611S	MANUAL-USERS
M0321202	TIE-ELEC (QTY AR)

### Expanded Model and Color Nomenclature

M1 - GUID045CA30	P1212401F
M2 - GUID070CA30	P1212402F
M3 - GUID070CA40	P1212403F
M4 - GUID090CA30	P1212404F
M5 - GUID090CA50	P1212405F
M6 - GUID115CA50	P1212407F
M7 - GUID045CX30	P1212501F
M8 - GUID070CX30	P1212502F
M9 - GUID070CX40	P1212503F
M10 - GUID090CX30	P1212504F
M11 - GUID090CX50	P1212505F
M12 - GUID115CX50	P1212507F

# Front Panels



# Front Panels

Ref. Part No: No:	Description:	Ref. Part No: No:	Description:
<i>Image 1</i>			
0171 10690101	STRIKE-DOOR (QTY 2)		
0181 10690002	DOOR CATCH ASSY (QTY 2)		
0191 10727802	ACCESS DOOR-PNT (M1, M2, M3, M7, M8, M9)		
0191 10727804	ACCESS DOOR-PNT (M4, M5, M10, M11)		
0191 10727806	ACCESS DOOR-PNT (M6, M12)		
0201 10727714	BLOWER-DOOR-PNT (M1, M2, M3, M7, M8, M9)		
0201 10727716	BLOWER-DOOR-PNT (M4, M5, M10, M11)		
0201 10727718	BLOWER-DOOR-PNT (M6, M12)		
0211 10736201	COVER-HV BOX		
0221 A9020401	RETAINER-FILTER (M1, M2, M3, M7, M8, M9)		
0221 A9020402	RETAINER-FILTER (M4, M5, M10, M11)		
0221 A9020403	RETAINER-FILTER (M6, M12)		
0231 M0216529	SCREW-SM (QTY 4)		
0281 11104001	SNAP-BUSHING CLR		

## Expanded Model and Color Nomenclature

M1 - GUID045CA30	P1212401F
M2 - GUID070CA30	P1212402F
M3 - GUID070CA40	P1212403F
M4 - GUID090CA30	P1212404F
M5 - GUID090CA50	P1212405F
M6 - GUID115CA50	P1212407F
M7 - GUID045CX30	P1212501F
M8 - GUID070CX30	P1212502F
M9 - GUID070CX40	P1212503F
M10 - GUID090CX30	P1212504F
M11 - GUID090CX50	P1212505F
M12 - GUID115CX50	P1212507F

# Partition Tube/Collector Box/Manifold

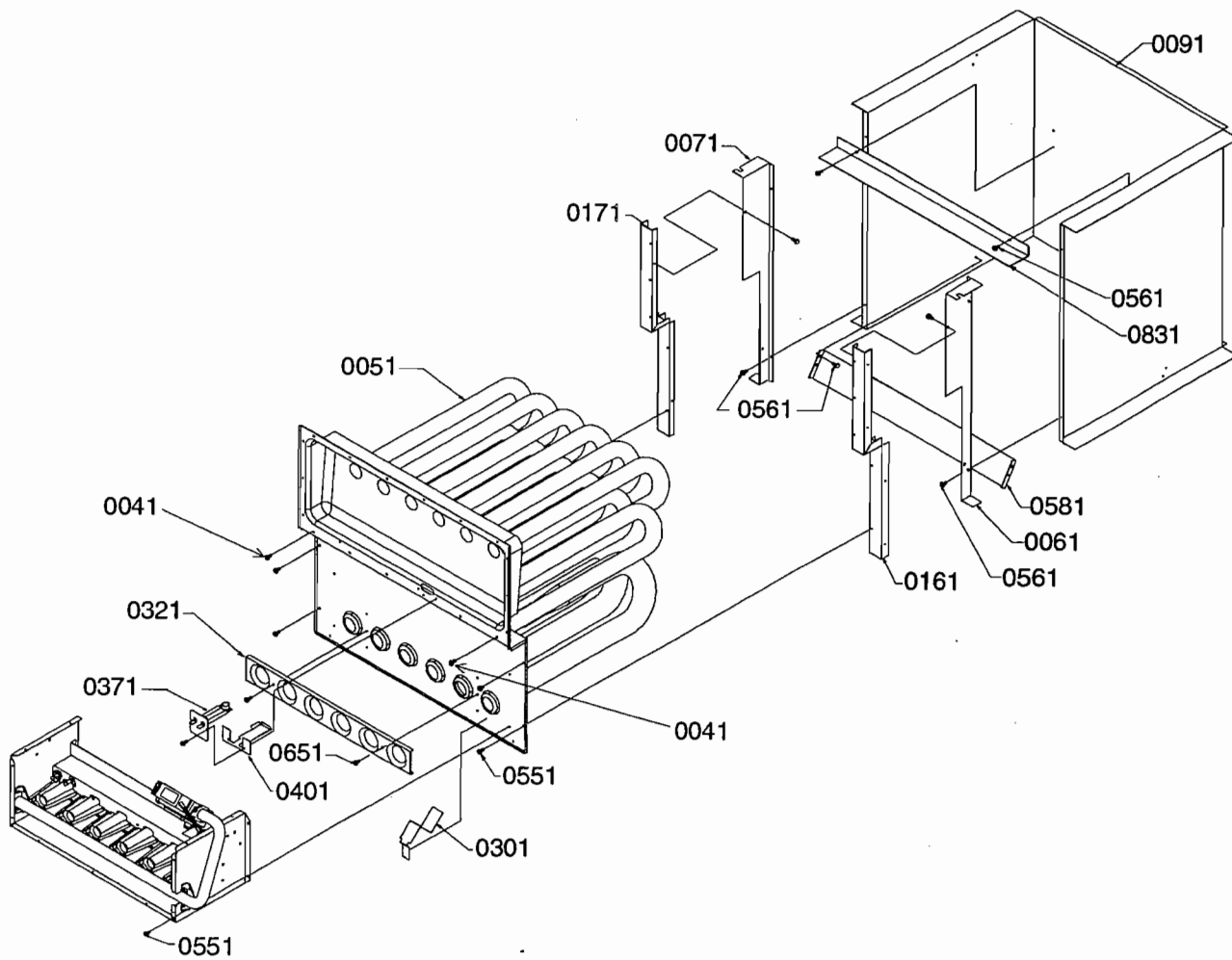
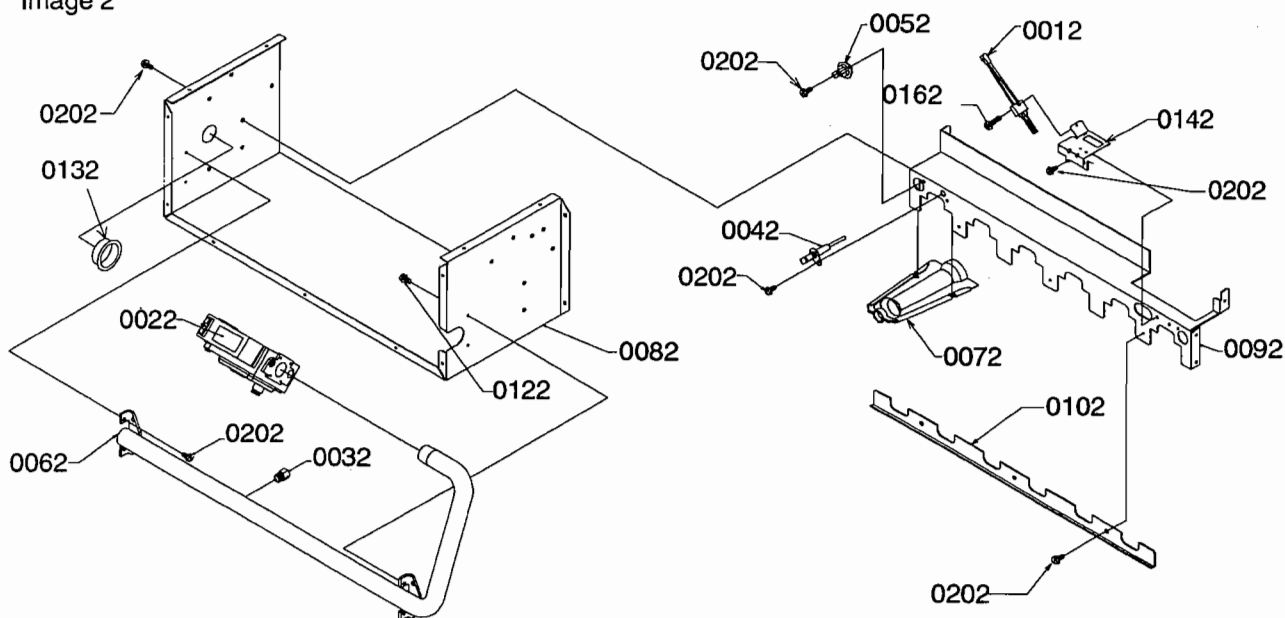


Image 1

Image 2



# Partition Tube/Collector Box/Manifold

Ref. Part No:	No:	Description:
<i>Image 1</i>		
0041	M0211021	SCREW-SM (QTY 2)
0051	11113105	PART/TUBE ASSY 2B (M1, M7)
0051	11113106	PART/TUBE ASSY 3B (M2, M3, M8, M9)
0051	11113107	PART/TUBE ASSY 4B (M4, M5, M10, M11)
0051	11113108	PART/TUBE ASSY 5B (M6, M12)
0061	10728601	BRKT-LINER MTG
0071	10728602	BRKT-LINER MTG
0091	10728707	LINER-CABINET (M1, M7)
0091	10728708	LINER-CABINET (M2, M3, M8, M9)
0091	10728709	LINER-CABINET (M4, M5, M10, M11)
0091	10728710	LINER-CABINET (M6, M12)
0161	10728503	RAIL-PART PANEL
0171	10728504	RAIL-PART PANEL
0301	10624002	INSERT-MESH TUBE (M7, M8, M9, M10, M11)
0321	11072201	SHIELD-ORIFICE (M1, M7)
0321	11072202	SHIELD-ORIFICE (M2, M3, M8, M9)
0321	11072203	SHIELD-ORIFICE (M4, M5, M10, M11)
0321	11072204	SHIELD-ORIFICE (M6, M12)
0371	10728304	LIMIT (M6, M12)
0371	10728322	LIMIT (M1, M7)
0371	10728325	LIMIT (M3, M9)
0371	10728326	LIMIT (M2, M8)
0371	10728331	LIMIT (M4, M5, M10, M11)
0401	11094802	BAFFLE-LIMIT (M6, M12)
0551	M0219916	SCREW-SM (QTY AR)
0561	M0224303	SCREW-SM (QTY AR)
0581	11008801	BAFFLE-DECK (M3, M9)
0581	11008802	BAFFLE-DECK (M4, M10)
0651	M0211020	SCREW-SM (QTY AR)
0831	11008302	BAFFLE-LINER (M2, M3, M8, M9)
0831	11008303	BAFFLE-LINER (M4, M5, M10, M11)
0831	11008304	BAFFLE-LINER (M6, M12)
0831	11008306	BAFFLE-LINER (M1, M7)

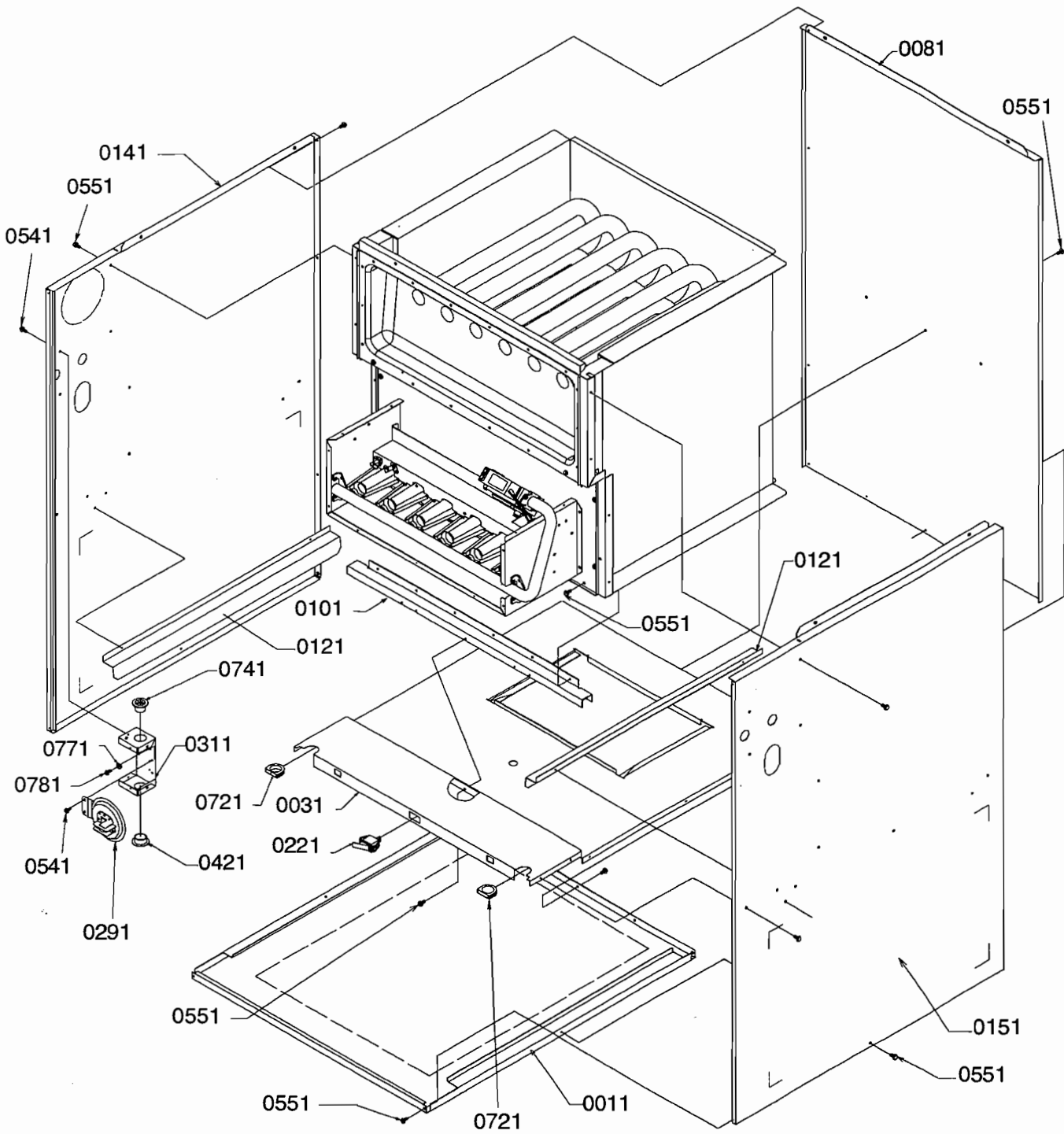
Ref. Part No:	No:	Description:
<i>Image 2</i>		
0012	10735002	IGNITOR
0022	C6476907	VALVE-GAS
0032	10716003	ORIFICE (QTY AR)
0042	10735201	FLAME-SENSOR
0052	10123509	LIMIT-RESET MAN (M4, M5, M10, M11)
0052	10123510	LIMIT-RESET MAN (M2, M3, M6, M8, M9, M12)
0052	10123511	LIMIT-RESET MAN (M1, M7)
0062	10568801	MANIFOLD (M1, M7)
0062	10568802	MANIFOLD (M2, M3, M8, M9)
0062	10568803	MANIFOLD (M4, M5, M10, M11)
0062	10568804	MANIFOLD (M6, M12)
0072	10735102	BECKETT BURNER (QTY AR)
0082	10734410	BOX-BURNER (M1, M7)
0082	10734411	BOX-BURNER (M2, M3, M8, M9)
0082	10734412	BOX-BURNER (M4, M5, M10, M11)
0082	10734413	BOX-BURNER (M6, M12)
0092	11008101	BRKT-BURNER (M1, M7)
0092	11008102	BRKT-BURNER (M2, M3, M8, M9)
0092	11008103	BRKT-BURNER (M4, M5, M10, M11)

Ref. Part No:	No:	Description:
0092	11008104	BRKT-BURNER (M6, M12)
0102	10734701	BRKT-LOCK BURNER (M1, M7)
0102	10734702	BRKT-LOCK BURNER (M2, M3, M8, M9)
0102	10734703	BRKT-LOCK BURNER (M4, M5, M10, M11)
0102	10734704	BRKT-LOCK BURNER (M6, M12)
0122	M0253516	SCREW-TR (QTY 2)
0132	A4554801	BUSHING-SNAP
0142	11008703	BRKT-SENSOR
0162	M0216519	SCREW-SM
0202	M0216529	SCREW-SM (QTY AR)

## Expanded Model and Color Nomenclature

M1 - GUID045CA30	P1212401F
M2 - GUID070CA30	P1212402F
M3 - GUID070CA40	P1212403F
M4 - GUID090CA30	P1212404F
M5 - GUID090CA50	P1212405F
M6 - GUID115CA50	P1212407F
M7 - GUID045CX30	P1212501F
M8 - GUID070CX30	P1212502F
M9 - GUID070CX40	P1212503F
M10 - GUID090CX30	P1212504F
M11 - GUID090CX50	P1212505F
M12 - GUID115CX50	P1212507F

# Outer Cabinet



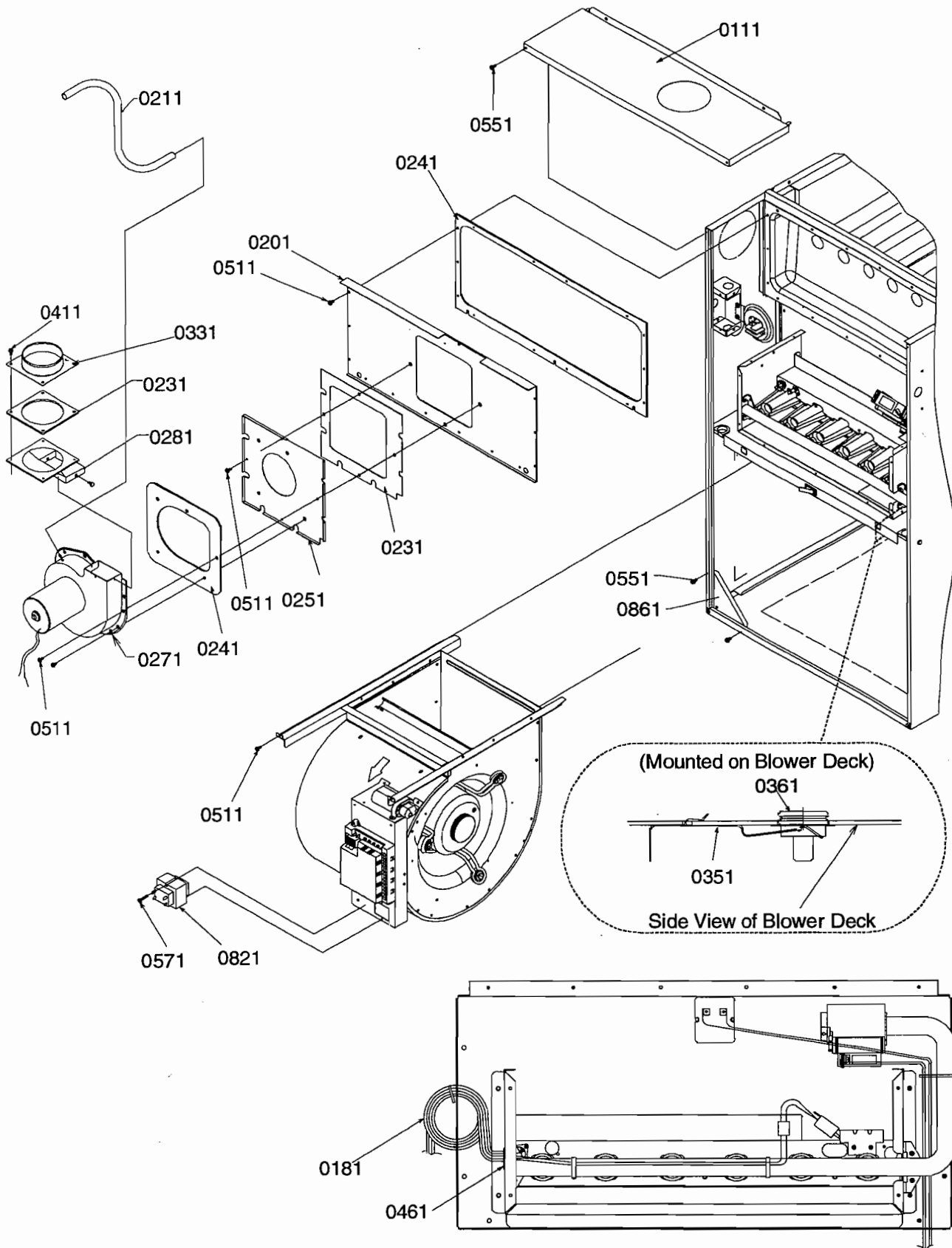
# Outer Cabinet

Ref. Part No: No:	Description:	Ref. Part No: No:	Description:
<i>Image 1</i>			
0011 10727508	BASEPAN-PNT (M1, M2, M3, M7, M8, M9)		
0011 10727510	BASEPAN-PNT (M4, M5, M10, M11)		
0011 10727512	BASEPAN-PNT (M6, M12)		
0031 11034806	DECK-BLOWER (M1, M2, M7, M8)		
0031 11034807	DECK-BLOWER (M3, M9)		
0031 11034808	DECK-BLOWER (M4, M5, M10, M11)		
0031 11034809	DECK-BLOWER (M6, M12)		
0081 10727414	BACK PANEL-PNT (M1, M2, M3, M7, M8, M9)		
0081 10727416	BACK PANEL-PNT (M4, M5, M10, M11)		
0081 10727418	BACK PANEL-PNT (M6, M12)		
0101 10728401	SUPPORT-PART PAN (M1, M2, M3, M7, M8, M9)		
0101 10728402	SUPPORT-PART PAN (M4, M5, M10, M11)		
0101 10728403	SUPPORT-PART PAN (M6, M12)		
0121 10690301	ANGLE-FILTER (QTY 2)		
0141 10727114	L SIDE PANEL-PNT		
0151 10727014	R SIDE PANEL-PNT		
0221 10690401	SWITCH-INTERLOCK		
0291 10727920	SWITCH-PRESSURE		
0311 10736102	BOX-HIGH VOLTAGE		
0421 A4554801	BUSHING-SNAP		
0541 M0216716	SCREW-SM (QTY AR)		
0551 M0219916	SCREW-SM (QTY AR)		
0721 A4568804	GROMMET-D (QTY 2)		
0741 M0571002	BUSHING-SNAP		
0771 M0270001	WASHER-CUP		
0781 M0227803	SCREW-TC		

## Expanded Model and Color Nomenclature

M1 - GUID045CA30	P1212401F
M2 - GUID070CA30	P1212402F
M3 - GUID070CA40	P1212403F
M4 - GUID090CA30	P1212404F
M5 - GUID090CA50	P1212405F
M6 - GUID115CA50	P1212407F
M7 - GUID045CX30	P1212501F
M8 - GUID070CX30	P1212502F
M9 - GUID070CX40	P1212503F
M10 - GUID090CX30	P1212504F
M11 - GUID090CX50	P1212505F
M12 - GUID115CX50	P1212507F

# Vent Systems/Controls



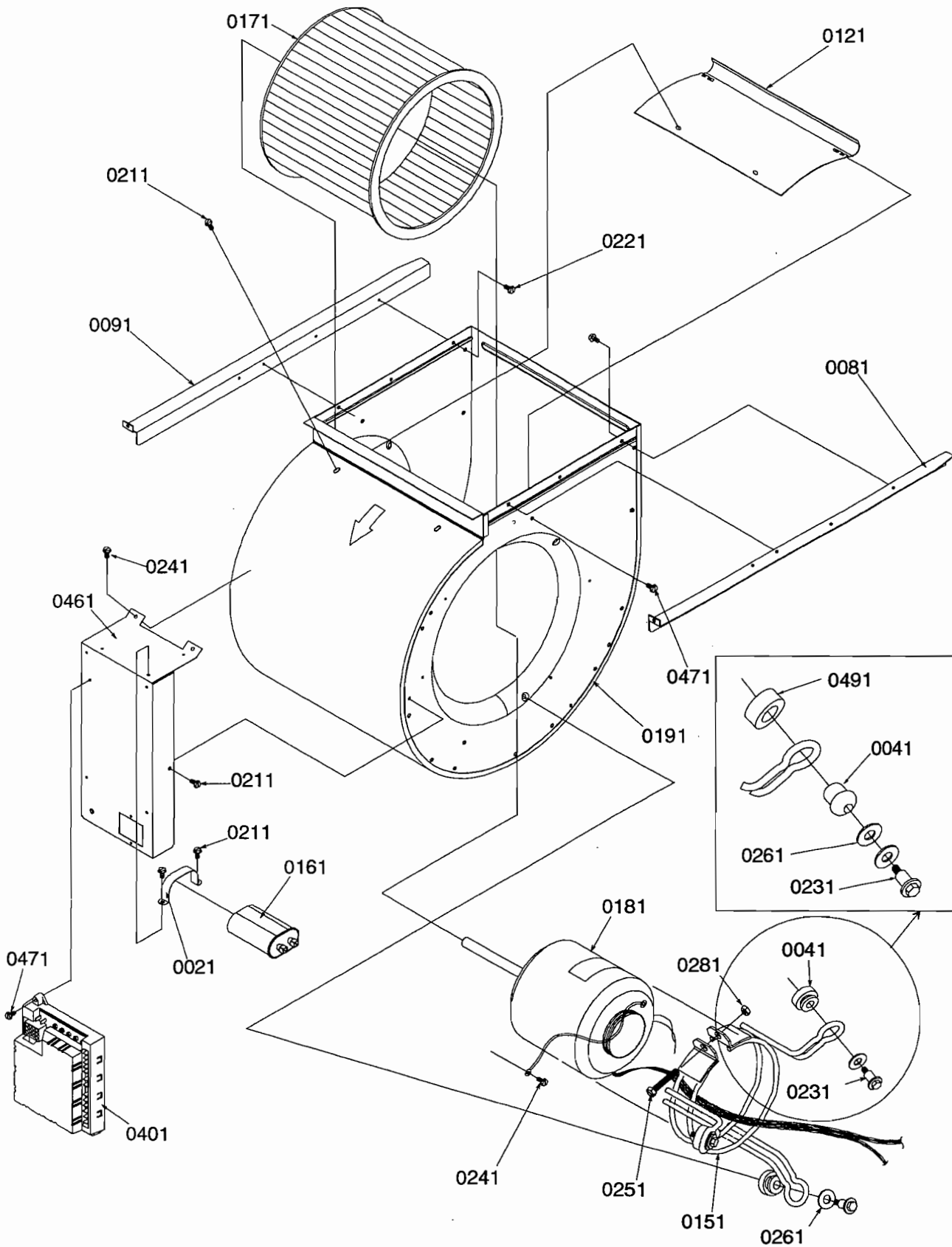
# Vent Systems/Controls

Ref. Part No: No:	Description:	Ref. Part No: No:	Description:
<i>Image 1</i>			
0111 10779120	TOP COVER-PNT (M1, M2, M3, M7, M8, M9)		
0111 10779122	TOP COVER-PNT (M4, M5, M10, M11)		
0111 10779124	TOP COVER-PNT (M6, M12)		
0181 11135202	HARNESS-WIRING		
0201 10764404	PLATE-PARTITION (M1, M2, M3, M7, M8, M9)		
0201 10764405	PLATE-PARTITION (M4, M5, M10, M11)		
0201 10764406	PLATE-PARTITION (M6, M12)		
0211 B1410304	HOSE-PRESSURE SW		
0231 10764601	GASKET-ROTATE PLT		
0241 11142201	GASKET-COLL/ID (M1, M2, M3, M7, M8, M9)		
0241 11142202	GASKET-COLL/ID (M4, M5, M10, M11)		
0241 11142203	GASKET-COLL/ID (M6, M12)		
0251 10764301	PLATE-ROTATING (M1, M7)		
0251 10764304	PLATE-ROTATING (M4, M5, M10, M11)		
0251 10764308	PLATE-ROTATING (M2, M3, M8, M9)		
0251 10764313	PLATE-ROTATING (M6, M12)		
0271 20002301	BLOWER-ID		
0281 11072301	TRAN-ID BLOW		
0331 11009701	TOP-TRAN PLATE		
0351 10861101	BRKT-AUX LIMIT		
0361 10123506	LIMIT-RESET MAN		
0411 M0253516	SCREW-TR (QTY 4)		
0461 A4554815	BUSHING-SNAP		
0511 M0219918	SCREW-SM (QTY AR)		
0551 M0219916	SCREW-SM (QTY AR)		
0571 M0216536	SCREW-SM (QTY AR)		
0821 C6349701	TRANSFORMER		
0861 11094903	BRKT-CORNER (QTY 2)		

## Expanded Model and Color Nomenclature

M1 - GUID045CA30	P1212401F
M2 - GUID070CA30	P1212402F
M3 - GUID070CA40	P1212403F
M4 - GUID090CA30	P1212404F
M5 - GUID090CA50	P1212405F
M6 - GUID115CA50	P1212407F
M7 - GUID045CX30	P1212501F
M8 - GUID070CX30	P1212502F
M9 - GUID070CX40	P1212503F
M10 - GUID090CX30	P1212504F
M11 - GUID090CX50	P1212505F
M12 - GUID115CX50	P1212507F

# Blower



# Blower

Ref. Part No:	No:	Description:
<i>Image 1</i>		
0021	A3410501	STRAP-CAPACITOR (M4, M5, M6, M10, M11, M12)
0021	A4055402	STRAP-CAPACITOR (M1, M2, M3, M7, M8, M9)
0041	20045001	GROMMET (M1, M2, M7, M8) (QTY 3)
0041	A4002702	GROMMET (M3, M4, M5, M6, M9, M10, M11, M12) (QTY 3)
0081	10744901	RAIL-SIDE BLOWER
0091	10744902	RAIL-SIDE BLOWER
0121	C6121802	CUTOFF (M3, M9)
0121	C6121806	CUTOFF (M6, M12)
0121	C6121810	CUTOFF (M1, M2, M4, M5, M7, M8, M10, M11)
0151	C9443701	BRKT-MOTOR MT (M6, M12)
0151	C9443702	BRKT-MOTOR MT (M3, M4, M5, M9, M10, M11)
0151	C9446702	BRKT-MOTOR MT (M1, M2, M7, M8)
0161	10099901	CAPACITOR (M2, M8)
0161	D6859325	CAPACITOR (M1, M3, M7, M9)
0161	D6879739	CAPACITOR (M4, M10)
0161	D6879746	CAPACITOR (M5, M6, M11, M12)
0171	D6723301	WHEEL-BLOWER (M1, M2, M7, M8)
0171	D6723302	WHEEL-BLOWER (M4, M5, M10, M11)
0171	D6723303	WHEEL-BLOWER (M6, M12)
0171	D6723316	WHEEL-BLOWER (M3, M9)
0181	10759207	MOTOR-BLOW 1/2 HP (M3, M9)
0181	10759305	MOTOR-BLOW 1/2 HP (M4, M10)
0181	10759406	MOTOR-BLOW 1/2 HP (M5, M11)
0181	10759206	MOTOR-BLOW 1/3 HP (M2, M8)
0181	10759208	MOTOR-BLOW 1/3 HP (M1, M7)
0181	10759407	MOTOR-BLOW 3/4 HP (M6, M12)
0191	11185801	BLOWER HSG WELD (M1, M2, M7, M8)
0191	11185802	BLOWER HSG WELD (M3, M9)
0191	11185803	BLOWER HSG WELD (M4, M5, M10, M11)
0191	11185804	BLOWER HSG WELD (M6, M12)
0211	M0211016	SCREW-SM (QTY AR)
0221	M0253516	SCREW-TR (QTY AR)
0231	M0253610	SCREW-SHLDR (M1, M2, M7, M8) (QTY 3)
0231	M0221461	SCREW-TC (M3, M4, M5, M6, M9, M10, M11, M12) (QTY 3)
0241	M0219916	SCREW-SM (QTY 3)
0251	M0267144	SCREW-MACH
0261	M0274008	WASHER-FLAT (QTY AR)
0281	M0282015	NUT-KEPS
0401	11184501	CONTROL-INTEG
0461	10746201	BRKT-CONTROL
0471	M0211020	SCREW-SM (QTY AR)
0491	20044901	WASHER (M1, M2, M7, M8) (QTY 3)

Ref. Part No:	No:	Description:
Expanded Model and Color Nomenclature		
M1	-	GUID045CA30 P1212401F
M2	-	GUID070CA30 P1212402F
M3	-	GUID070CA40 P1212403F
M4	-	GUID090CA30 P1212404F
M5	-	GUID090CA50 P1212405F
M6	-	GUID115CA50 P1212407F
M7	-	GUID045CX30 P1212501F
M8	-	GUID070CX30 P1212502F
M9	-	GUID070CX40 P1212503F
M10	-	GUID090CX30 P1212504F
M11	-	GUID090CX50 P1212505F
M12	-	GUID115CX50 P1212507F

5  
4  
3  
2  
1

1

1