

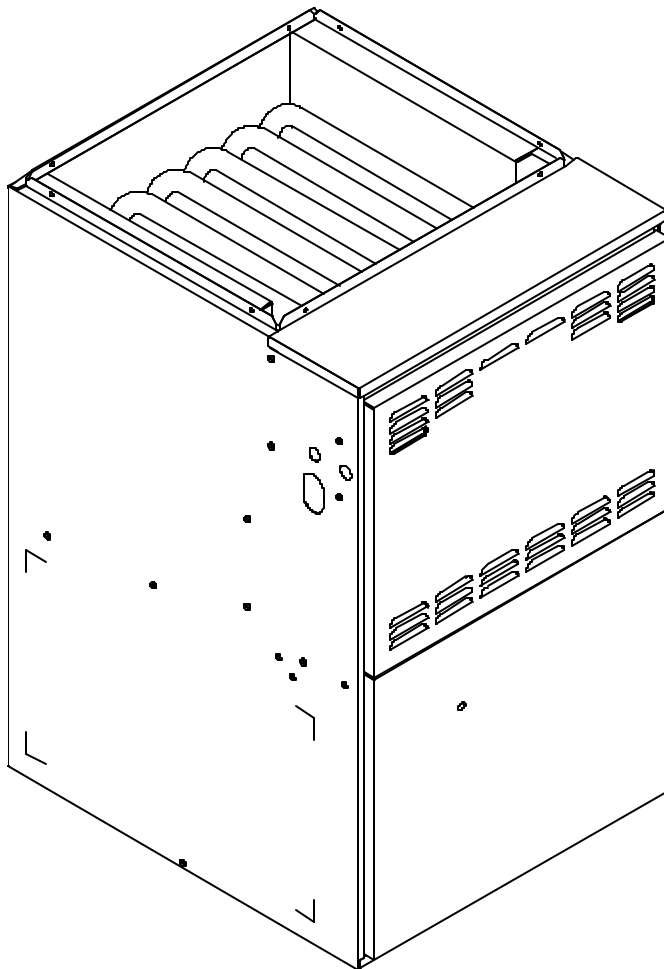
Models and manufacturing
numbers in this manual

GCIS070CX35	P1211203F
GCIS070CX35	P1230703F
GCIS090CX50	P1211205F
GCIS090CX50	P1230705F

Parts

GCIS Gas Furnace

This manual replaces RP6620016 Revision 0.



This manual is to be used by qualified appliance technicians only. Amana does not assume any responsibility for property damage or personal injury for improper service procedures done by an unqualified person.

Amana

RP6620016
Revision 1
October 1999

Important Information

Amana is not responsible for personal injury or property damage resulting from improper service. Review all service information before beginning repairs.

Warranty service must be performed by an authorized technician, using authorized factory parts. If service is required after the warranty expires, Amana also recommends contacting an authorized technician and using authorized factory parts. Locate an authorized technician by calling 800-NATLSVC (800-628-5782).

For assistance within the U.S.A. contact:

Consumer Affairs Department
Amana
2800 220th Trail
Amana IA 52204-0001
319-622-5511--Telephone
319-622-2977--Facsimile

For assistance outside the U.S.A. contact:

International Division
Amana
2800 220th Trail
Amana IA 52204-0001
USA
319-622-5511--Telephone
319-622-8595--Facsimile

Index

Functional Parts List	5
Illustration and Parts	6 - 15

Views shown are for parts illustrations only, not servicing procedures.

Revision 1: Added mfg number/models P1230703F/GCIS070CX35 and P1230705F/GCIS090CX50.

Text Codes:

AR - As Required

NA - Not Available

NS - Not Shown

00000000 - See Note

QTY - Quantity Example (QTY 3) (If Quantity not shown, Quantity = 1)

M - Model Example (M1) (If M Code not shown, then part is used on all Models)

Expanded Model and Color Nomenclature:

Example	
M1 - Model#1	P _____
M2 - Model#2	P _____
M3 - Model#3	P _____

Functional Parts

Part

No: Description:

11177201	BLOWER-ID (M1, M2)
D6859325	CAPACITOR (M1, M3)
D6879740	CAPACITOR (M2, M4)
10207708	CONTROL-INTEG
10735201	FLAME-SENSOR
11176904	HARNESS-WIRING
11176903	HARNESS-WIRING (M1, M2)
11176905	HARNESS-WIRING (M3, M4)
10735002	IGNITOR
10728306	LIMIT(PRIMARY) (M1, M3)
10728319	LIMIT(PRIMARY) (M2, M4)
10123506	LIMIT-RESET MAN(AUXILIARY) (M1, M2)
10123525	LIMIT-RESET MAN(AUXILIARY) (M3, M4)
10123512	LIMIT-RESET MAN(ROLLOUT) (M2)
10123509	LIMIT-RESET MAN(ROLLOUT) (M1)
10123531	LIMIT-RESET MAN(ROLLOUT) (M4)
10123528	LIMIT-RESET MAN(ROLLOUT) (M3)
20046606	MOTOR-BLOW 1/2 HP (M3)
10759210	MOTOR-BLOW 1/2 HP (M1)
10759409	MOTOR-BLOW 3/4 HP (M2, M4)
10716003	ORIFICE (QTY 3)
10690401	SWITCH-INTERLOCK
11177101	SWITCH-PRESSURE
C6349701	TRANSFORMER (M1, M2)
C6349703	TRANSFORMER (M3, M4)
C6476909	VALVE-GAS (M3, M4)
C6476906	VALVE-GAS (M1, M2)

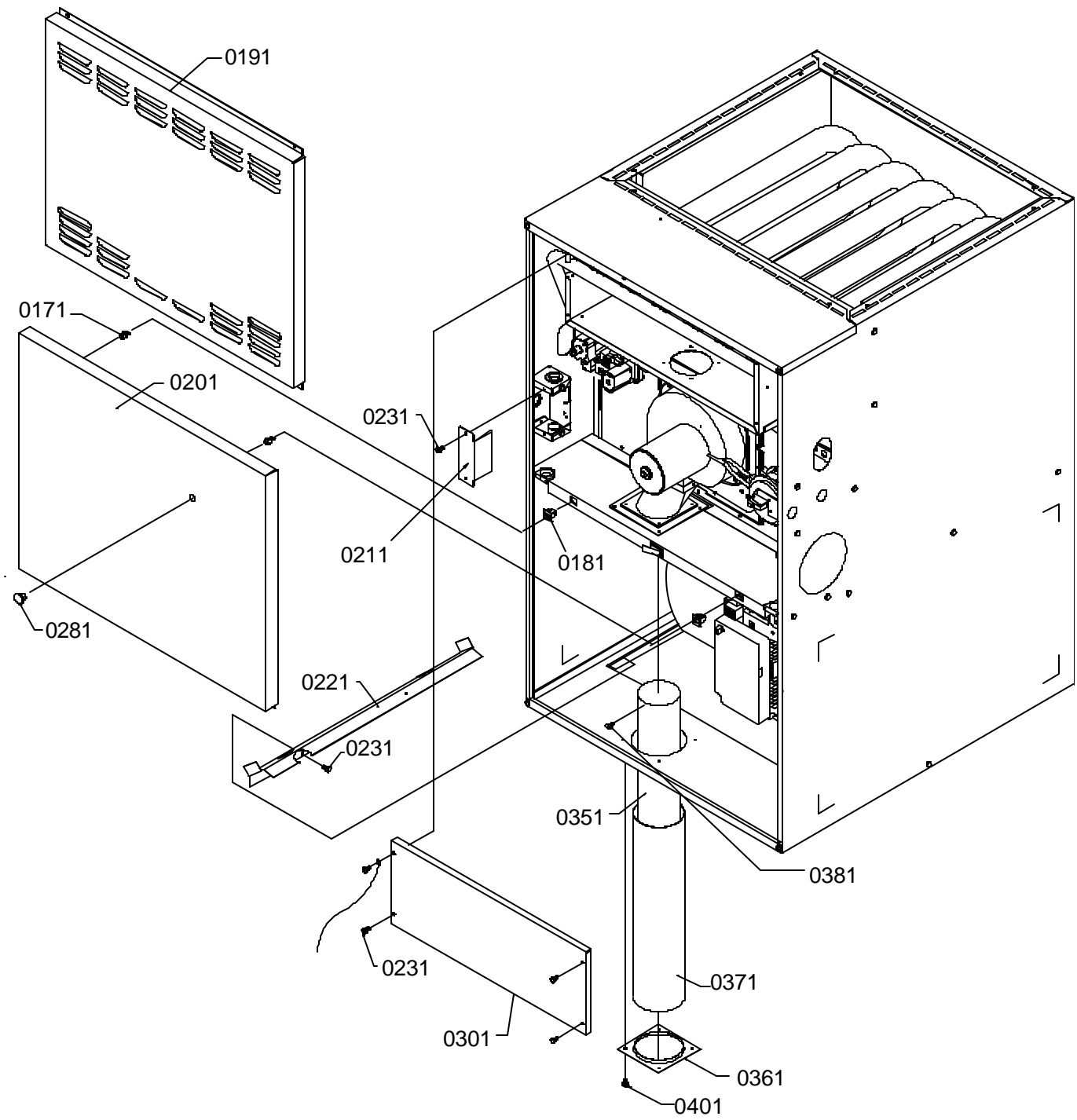
SPECIAL PARTS

11067325	INSTR-HI ALT
11067324	INSTR-LP
11067337	INSTRUCT-INSTALL (M1, M2)
11067355	INSTRUCT-INSTALL (M3, M4)
RP6620016	MANUAL-PARTS (M1, M2)
RS6620002	MANUAL-SERVICE (M1, M2)
11067379	MANUAL-USERS (M3, M4)
11067336	MANUAL-USERS (M1, M2)

Expanded Model and Color Nomenclature

M1 - GCIS070CX35	P1211203F
M2 - GCIS090CX50	P1211205F
M3 - GCIS070CX35	P1230703F
M4 - GCIS090CX50	P1230705F

Front Panels



Front Panels

Ref Part No:	Description:	Ref. Part No: No:	Description:
-----------------	--------------	----------------------	--------------

Image 1:

0171 10690101	STRIKE-DOOR (QTY 2)
0181 10690001	DOOR CATCH ASSY (M1, M2)
0181 10690002	DOOR CATCH ASSY (M3, M4)
0191 10727802	ACCESS DOOR (M1)
0191 10727804	ACCESS DOOR (M2)
0191 20239702	DOOR-ACCESS PNT (M3)
0191 20239704	DOOR-ACCESS PNT (M4)
0201 20239602	BLOWER DOOR (M3)
0201 20239604	BLOWER DOOR PNT (M4)
0201 10727714	BLOWER-DOOR (M1)
0201 10727716	BLOWER-DOOR (M2)
0211 10736201	COVER-HV BOX
0221 10368501	RAIL-FILTER
0231 M0216529	SCREW-SM (QTY AR)
0281 11104001	SNAP-BUSHING CLR
0301 10734607	BOX-FRONT BNR (M1, M3)
0301 10734608	BOX-FRONT BNR (M2, M4)
0351 B9268909	PIPE-FLUE
0361 11034707	BRKT-VENT TUBE (M3, M4)
0361 11034702	VENT TUBE BRKT (M1, M2)
0371 11022002	TUBE-VENT
0381 M0233716	SCREW-SD
0401 M0219916	SCREW-SM (QTY AR)

Expanded Model and Color Nomenclature

M1 - GCIS070CX35	P1211203F
M2 - GCIS090CX50	P1211205F
M3 - GCIS070CX35	P1230703F
M4 - GCIS090CX50	P1230705F

Partition Tube/Collector Box/Manifold

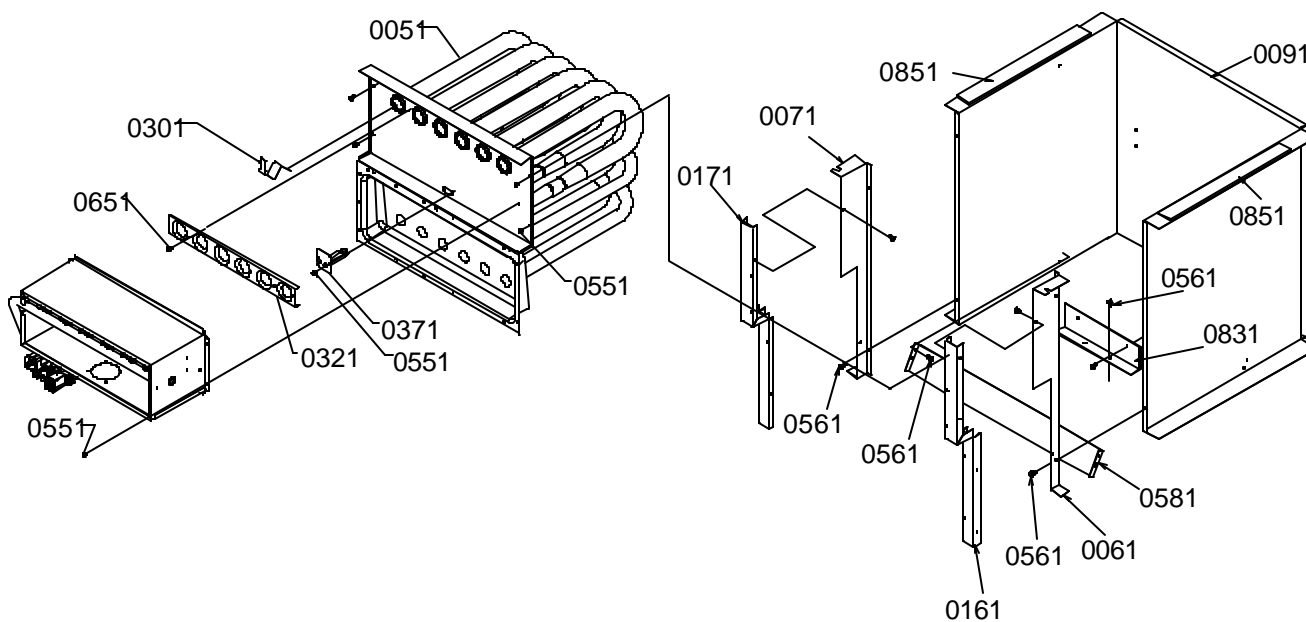
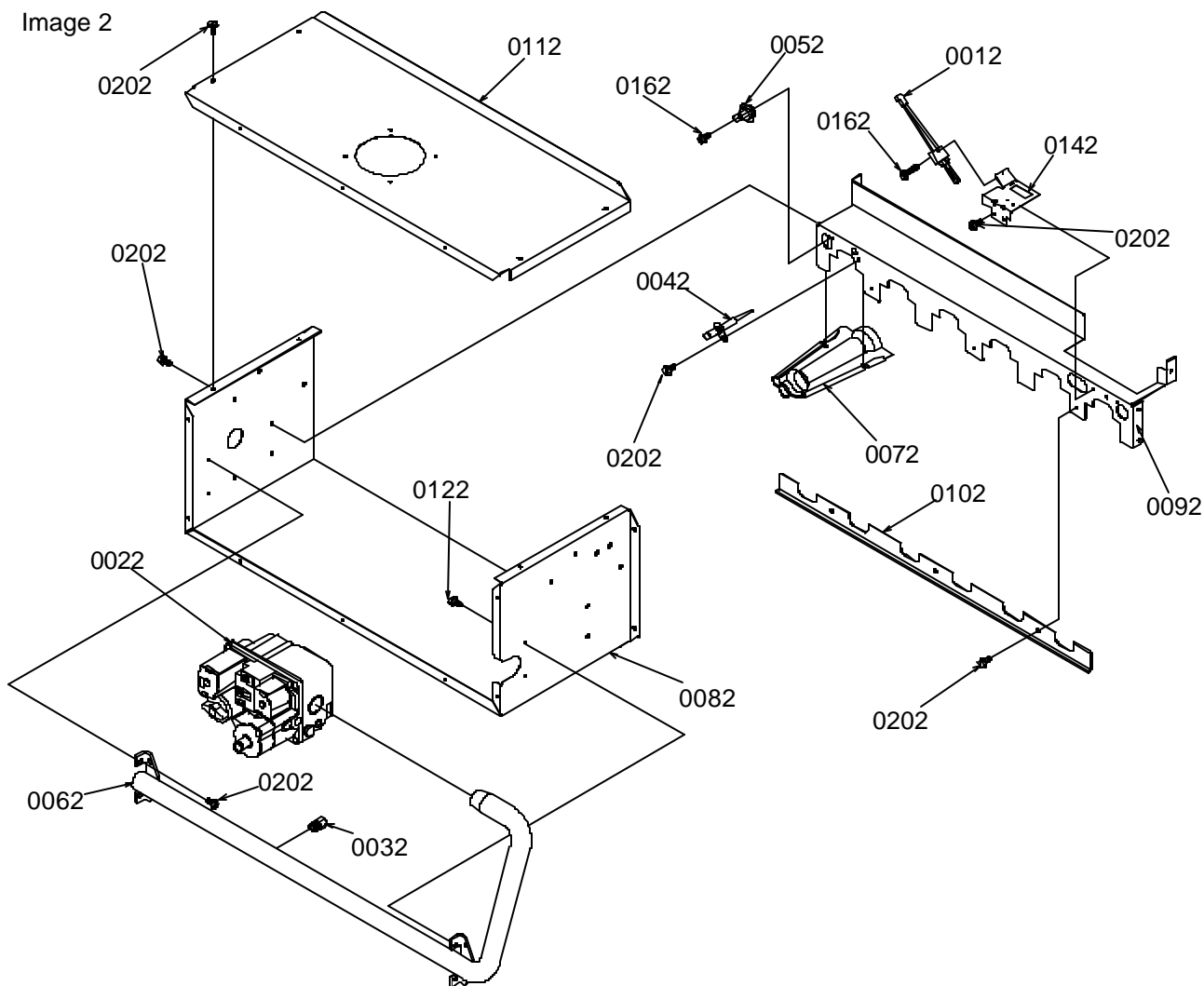


Image 1

Image 2



Partition Tube/Collector Box/Manifold

Ref Part No:	Description:	Ref. Part No: No:	Description:
-----------------	--------------	----------------------	--------------

Image 1:

0051 11094107	PART/TUBE ASSY (M1, M3)
0051 11094112	PART/TUBE ASSY (M2, M4)
0061 10728601	BRKT-LINER MTG
0071 10728602	BRKT-LINER MTG
0091 10728708	LINER-CABINET (M1, M3)
0091 10728709	LINER-CABINET (M2, M4)
0161 10728503	RAIL-PART PANEL
0171 10728504	RAIL-PART PANEL
0301 10624002	INSERT-MESH TUBE (QTY 3)
0321 11072202	SHIELD-ORIFICE (M1, M3)
0321 11072203	SHIELD-ORIFICE (M2, M4)
0371 10728306	LIMIT(PRIMARY) (M1, M3)
0371 10728319	LIMIT(PRIMARY) (M2, M4)
0551 M0219916	SCREW-SM (QTY AR)
0561 M0224303	SCREW-SM (QTY AR)
0581 11008801	BAFFLE-DECK (M1, M3)
0651 M0211020	SCREW-SM (QTY AR)
0831 11008306	BAFFLE-LINER
0851 11072401	GASKET-LINER (M1, M2)

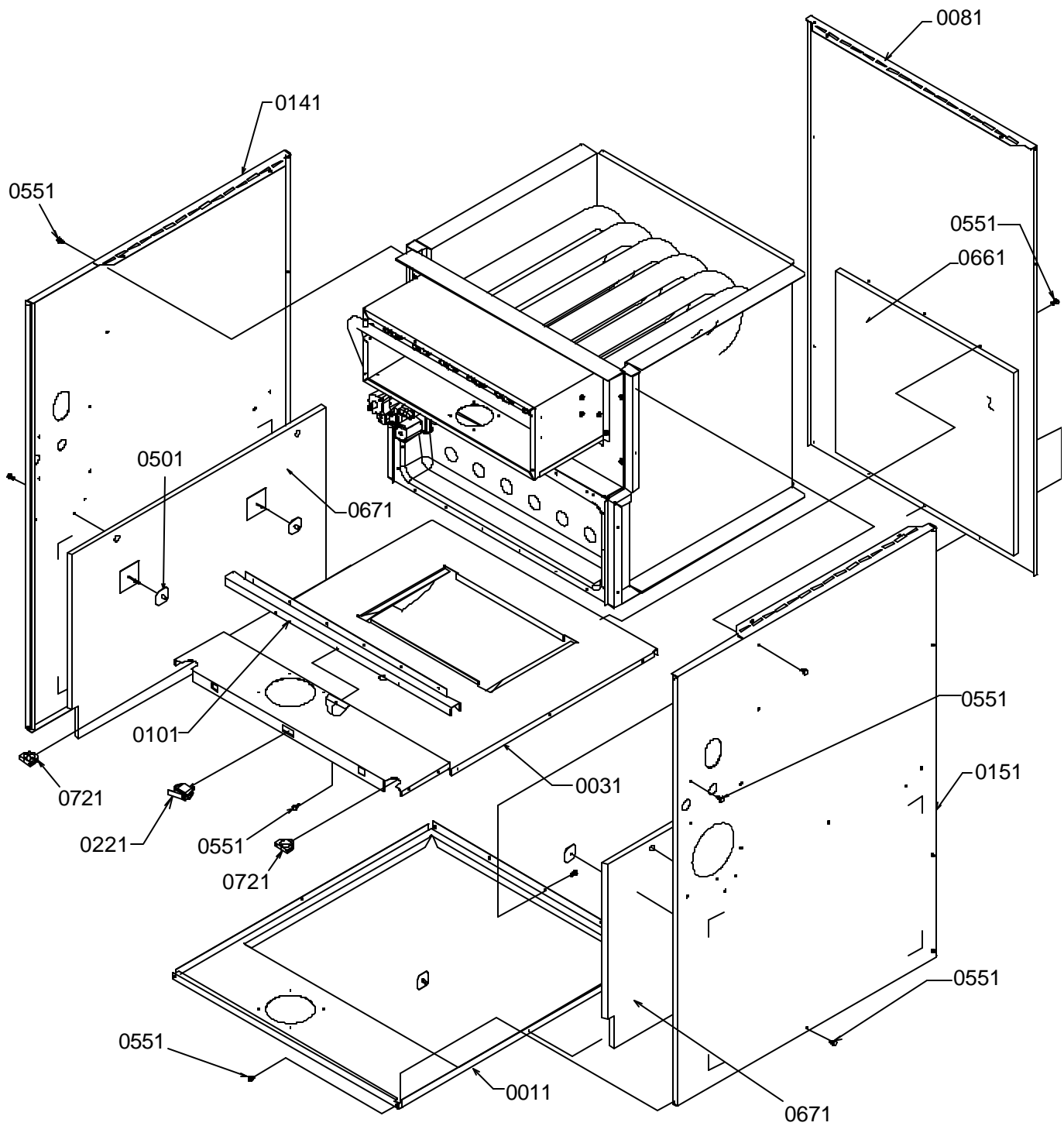
Image 2:

0012 10735002	IGNITOR
0022 C6476906	VALVE-GAS (M1, M2)
0022 C6476909	VALVE-GAS (M3, M4)
0032 10716003	ORIFICE (QTY 3)
0042 10735201	FLAME-SENSOR
0052 10123509	LIMIT-RESET MAN(ROLLOUT) (M1)
0052 10123512	LIMIT-RESET MAN(ROLLOUT) (M2)
0052 10123528	LIMIT-RESET MAN(ROLLOUT) (M3)
0052 10123531	LIMIT-RESET MAN(ROLLOUT) (M4)
0062 10568802	MANIFOLD (M1, M3)
0062 10568803	MANIFOLD (M2, M4)
0072 10735102	BECKETT BURNER (QTY 3)
0082 10734411	BOX-BURNER (M1, M3)
0082 10734412	BOX-BURNER (M2, M4)
0092 11008102	BRKT-BURNER (M1, M3)
0092 11008103	BRKT-BURNER (M2, M4)
0102 10734702	BRKT-LOCK BURNER (M1, M3)
0102 10734703	BRKT-LOCK BURNER (M2, M4)
0112 10734502	TOP-BOX BURNER (M1)
0112 10734503	TOP-BOX BURNER (M2, M4)
0112 20177102	TOP-BRNR BOX (M3)
0122 M0253516	SCREW-TR (QTY AR)
0142 11008703	BRKT-SENSOR
0162 M0216519	SCREW-SM (QTY AR)
0202 M0216529	SCREW-SM (QTY AR)

Expanded Model and Color Nomenclature

M1 - GCIS070CX35	P1211203F
M2 - GCIS090CX50	P1211205F
M3 - GCIS070CX35	P1230703F
M4 - GCIS090CX50	P1230705F

Outer Cabinet



Outer Cabinet

Ref Part No:	Description:	Ref. Part No: No:	Description:
-----------------	--------------	----------------------	--------------

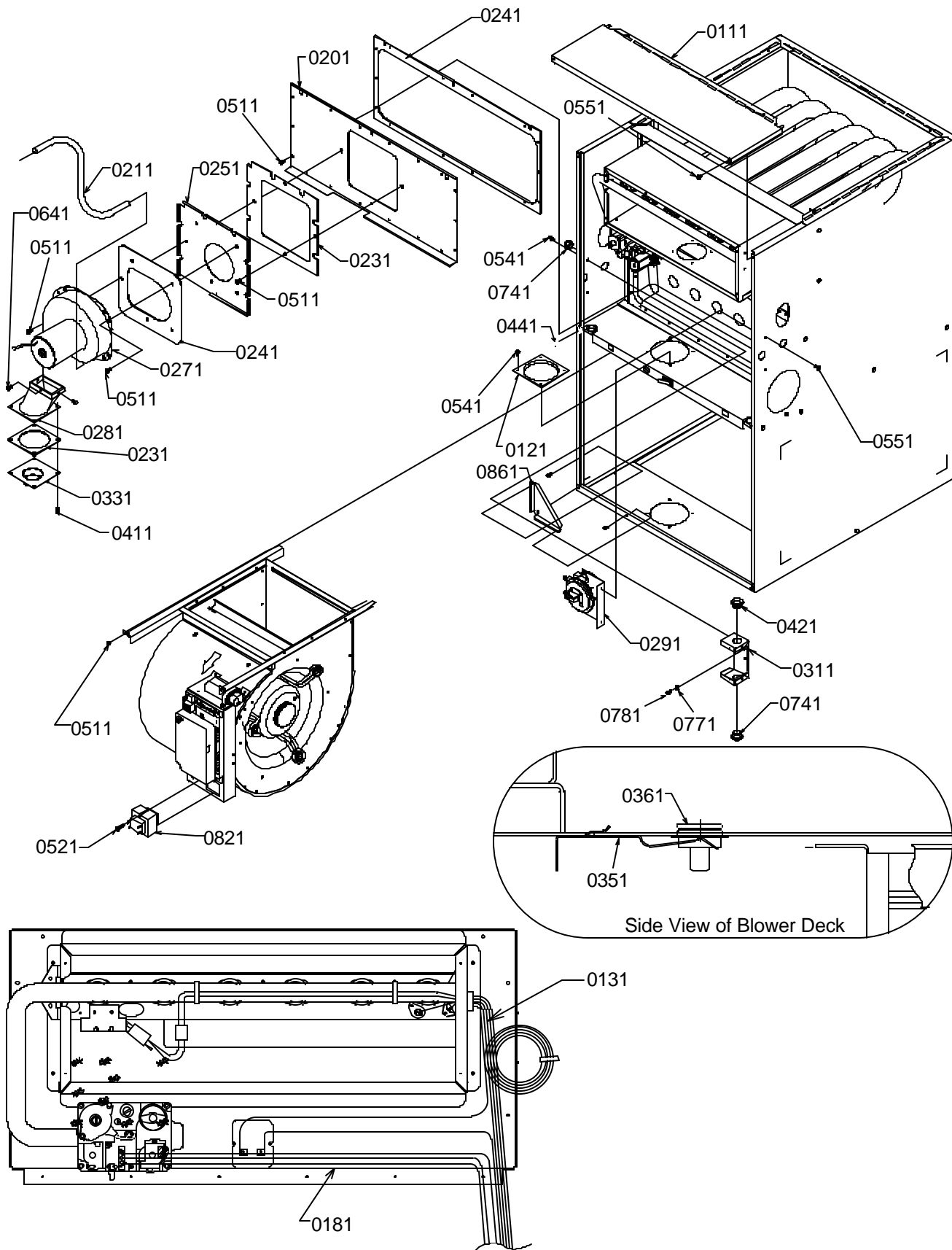
Image 1:

0011 11024620	BASEPAN (M1)
0011 11024622	BASEPAN (M2)
0011 20239108	BASEPAN (M3)
0011 20239110	BASEPAN (M4)
0031 11024501	DECK-PIERCED BLWR (M1, M3)
0031 11024502	DECK-PIERCED BLWR (M2, M4)
0081 10727420	BACK PANEL (M1)
0081 10727422	BACK PANEL (M2)
0081 20239208	BACK PANEL (M3)
0081 20239210	BACK PANEL (M4)
0101 10728404	SUPPORT-PART PAN (M1, M3)
0101 10728405	SUPPORT-PART PAN (M2, M4)
0141 10727116	L SIDE PANEL (M1, M2)
0141 20239504	L SIDE PANEL PNT (M3, M4)
0151 10727016	R SIDE PANEL (M1, M2)
0151 20239404	R SIDE PANEL (M3, M4)
0221 10690401	SWITCH-INTERLOCK
0501 M0107601	HANGER-INSUL (QTY 4)
0551 M0219916	SCREW-SM (QTY AR)
0661 20006601	INSULATION (M1, M3)
0661 20006602	INSULATION (M2, M4)
0671 20007302	INSULATION-SIDE (M1, M2)
0671 20243502	INSULATION-SIDE (M3, M4)
0721 A4568804	GROMMET-D (QTY 2)

Expanded Model and Color Nomenclature

M1 - GCIS070CX35	P1211203F
M2 - GCIS090CX50	P1211205F
M3 - GCIS070CX35	P1230703F
M4 - GCIS090CX50	P1230705F

Vent System/Control



Vent System/Control

Ref Part No:	Description:	Ref. Part No: No:	Description:
<i>Image 1:</i>			
0111 20239308	COVER CF (M3)		
0111 20239310	COVER CF (M4)		
0111 10779126	TOP COVER (M1)		
0111 10779128	TOP COVER (M2)		
0121 11034707	BRKT-VENT TUBE (M3, M4)		
0121 11034702	VENT TUBE BRKT (M1, M2)		
0131 11176904	HARNESS-WIRING		
0181 11176903	HARNESS-WIRING (M1, M2)		
0181 11176905	HARNESS-WIRING (M3, M4)		
0201 10764404	PLATE-PARTITION (M1, M3)		
0201 10764405	PLATE-PARTITION (M2, M4)		
0211 B1410310	HOSE-PRESSURE SW		
0231 10764601	GASKET-ROTATE PLT		
0241 11142201	GASKET-COLL/ID (M1, M3)		
0241 11142202	GASKET-COLL/ID (M2, M4)		
0251 10764309	PLATE-ROTATING (M1)		
0251 10764314	PLATE-ROTATING (M2, M3, M4)		
0271 11177201	BLOWER-ID (M1, M2)		
0271 11177202	BLOWER-ID (M3, M4)		
0281 11072301	TRAN-ID BLOW		
0291 11177101	SWITCH-PRESSURE		
0311 10736102	BOX-HIGH VOLTAGE		
0331 11009703	TOP-TRAN PLATE		
0351 10861101	BRKT-AUX LIMIT		
0361 10123506	LIMIT-RESET MAN(AUXILIARY) (M1, M2)		
0361 10123525	LIMIT-RESET MAN(AUXILIARY) (M3, M4)		
0411 M0253516	SCREW-TR (QTY AR)		
0421 A4554801	BUSHING-SNAP		
0441 11001301	GASKET-COMPT (QTY 2)		
0511 M0219918	SCREW-SM (QTY AR)		
0521 M0216536	SCREW-SM (QTY AR)		
0541 M0216716	SCREW-SM (QTY AR)		
0551 M0219916	SCREW-SM (QTY AR)		
0641 M0211021	SCREW-SM (QTY AR)		
0741 M0571002	BUSHING-SNAP (QTY 2)		
0771 M0270001	WASHER-CUP		
0781 M0227803	SCREW-TC (QTY AR)		
0821 C6349701	TRANSFORMER (M1, M2)		
0821 C6349703	TRANSFORMER (M3, M4)		
0861 11094903	BRKT-CORNER (M3, M4)		
0861 11094902	CORNER BRKT PNT (M1, M2)		

Expanded Model and Color Nomenclature

M1 - GCIS070CX35	P1211203F
M2 - GCIS090CX50	P1211205F
M3 - GCIS070CX35	P1230703F
M4 - GCIS090CX50	P1230705F

Blower

Ref Part No:	Description:	Ref. Part No:	Description:
<i>Image 1:</i>			
0021 A3410501	STRAP-CAPACITOR (M2, M4)		
0021 A4055402	STRAP-CAPACITOR (M1, M3)		
0041 A4002702	GROMMET (M1, M2, M4)		
0081 10744901	RAIL-SIDE BLOWER		
0091 10744902	RAIL-SIDE BLOWER		
0121 C6121802	CUTOFF (M1, M3)		
0121 C6121810	CUTOFF (M2, M4)		
0151 C9443702	BRKT-MOTOR MT (M1, M2, M4)		
0161 D6859325	CAPACITOR (M1, M3)		
0161 D6879740	CAPACITOR (M2, M4)		
0171 D6723302	WHEEL-BLOWER (M2, M4)		
0171 D6723316	WHEEL-BLOWER (M1, M3)		
0181 10759210	MOTOR-BLOW 1/2 HP (M1)		
0181 20046606	MOTOR-BLOW 1/2 HP (M3)		
0181 10759409	MOTOR-BLOW 3/4 HP (M2, M4)		
0191 10745604	BLOWER HSG WELD (M1)		
0191 10745608	BLOWER HSG WELD (M2)		
0191 11185802	BLOWER HSG WELD (M3)		
0191 11185803	BLOWER HSG WELD (M4)		
0211 M0211016	SCREW-SM (QTY AR)		
0221 M0253516	SCREW-TR (QTY AR)		
0231 M0221461	SCREW-TC (QTY AR)		
0241 M0233716	SCREW-SD (M1, M2)		
0251 M0267144	SCREW-MACH (M1, M2, M4)		
0261 M0274008	WASHER-FLAT (M1, M2, M4)		
0281 M0282015	NUT-KEPS (M1, M2, M4)		
0401 10207708	CONTROL-INTEG		
0411 M0216531	SCREW-SM (QTY AR)		
0461 10746201	BRKT-CONTROL (M1, M2)		
0461 10746204	BRKT-CONTROL (M3, M4)		
0471 M0211020	SCREW-SM (QTY AR)		

Expanded Model and Color Nomenclature

M1 - GCIS070CX35	P1211203F
M2 - GCIS090CX50	P1211205F
M3 - GCIS070CX35	P1230703F
M4 - GCIS090CX50	P1230705F