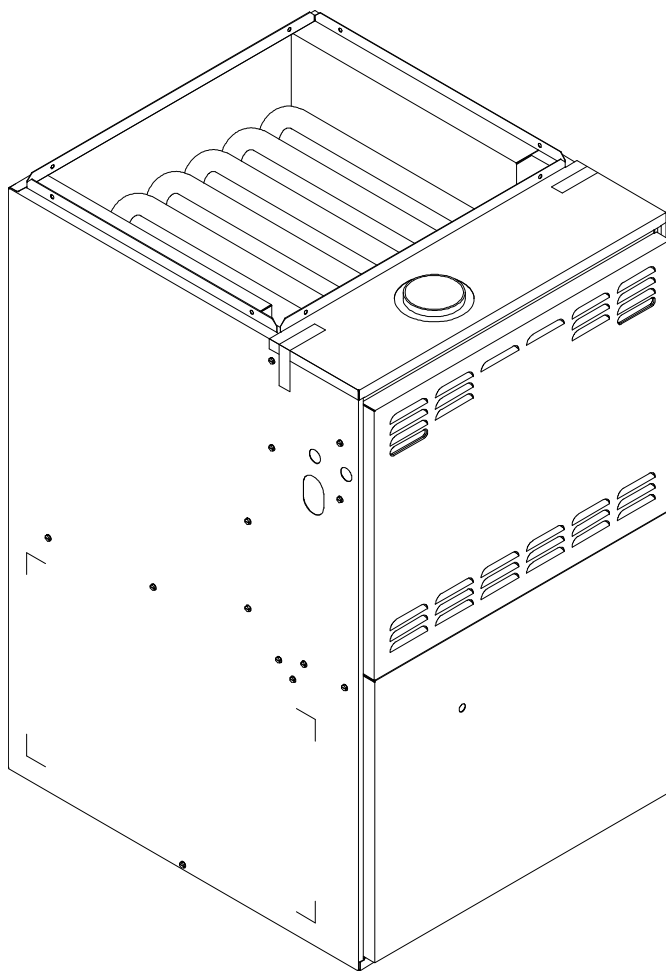


Parts

GUIS Gas Furnace

This manual replaces RP6620015 Rev. 0.



Models and manufacturing numbers in this manual

GUIS070CA35	P1211003F
GUIS070CX35	P1211103F
GUIS090CA30	P1211004F
GUIS090CA50	P1211005F
GUIS090CX50	P1211105F
GUIS115CA50	P1211007F
GUIS140CA50	P1211008F

This manual is to be used by qualified appliance technicians only. Amana does not assume any responsibility for property damage or personal injury for improper service procedures done by an unqualified person.

Amana

RP6620015
Revision 1
April 1999

Important Information

Amana is not responsible for personal injury or property damage resulting from improper service. Review all service information before beginning repairs.

Warranty service must be performed by an authorized technician, using authorized factory parts. If service is required after the warranty expires, Amana also recommends contacting an authorized technician and using authorized factory parts. Locate an authorized technician by calling 800-NATLSVC (800-628-5782).

For assistance within the U.S.A. contact:

Consumer Affairs Department
Amana
2800 220th Trail
Amana IA 52204-0001
319-622-5511--Telephone
319-622-2977--Facsimile

For assistance outside the U.S.A. contact:

International Division
Amana
2800 220th Trail
Amana IA 52204-0001
USA
319-622-5511--Telephone
319-622-8595--Facsimile

Index

Functional Parts List	4 - 5
Illustration and Parts	6 - 15

Views shown are for parts illustrations only, not servicing procedures.

REMOVED DUPLICATE PART NUMBERS (CAPACITOR), (MOTOR-BLOWER) FOR M2,M5 GUI5090CA30
P1211004F, GUI5140CA50 P1211008F

Text Codes:

AR - As Required

0000 - Not Shown

QTY - Quantity Example (QTY 3) (If Quantity not shown, Quantity = 1)

M - Model Example (M1) (If M Code not shown, then part is used on all Models)

NA - Not Available

Expanded Model and Color Nomenclature:

Example	
M1 - Model#1	P _____
M2 - Model#2	P _____
M3 - Model#3	P _____

Functional Parts

Part

No: **Description:**

11177201	BLOWER-ID
D6879740	CAPACITOR (M5)
D6859325	CAPACITOR (M1, M6)
D6879746	CAPACITOR (M3, M4, M7)
D6879739	CAPACITOR (M2)
10207708	CONTROL-INTEG
10735201	FLAME-SENSOR
11176903	HARNESS-WIRING (12 PIN CONNECTOR)
11176904	HARNESS-WIRING (5 PIN CONNECTOR)
10735002	IGNITOR
10728331	LIMIT (M2, M3, M4, M7)
10728325	LIMIT (M5)
10728334	LIMIT (M1, M6)
10123506	LIMIT-RESET MAN (M4, M5)
10123510	LIMIT-RESET MAN (M2, M3, M7)
10123508	LIMIT-RESET MAN (M1, M6)
10123512	LIMIT-RESET MAN (M4, M5)
10123516	LIMIT-RESET MAN (M1, M2, M3, M6, M7)
10759406	MOTOR-BLOW 1/2 HP (M3, M7)
10759207	MOTOR-BLOW 1/2 HP (M1, M6)
10759305	MOTOR-BLOW 1/2 HP (M2)
10759408	MOTOR-BLOW 3/4 HP (M5)
10759407	MOTOR-BLOW 3/4 HP (M4)
10716003	ORIFICE (QTY AR)
10690401	SWITCH-INTERLOCK
11177105	SWITCH-PRESSURE (M4)
11177103	SWITCH-PRESSURE (M1, M6)
11177102	SWITCH-PRESSURE (M2, M3, M7)
11177104	SWITCH-PRESSURE (M5)
C6349701	TRANSFORMER
C6476906	VALVE-GAS

Functional Parts

Part

No: Description:

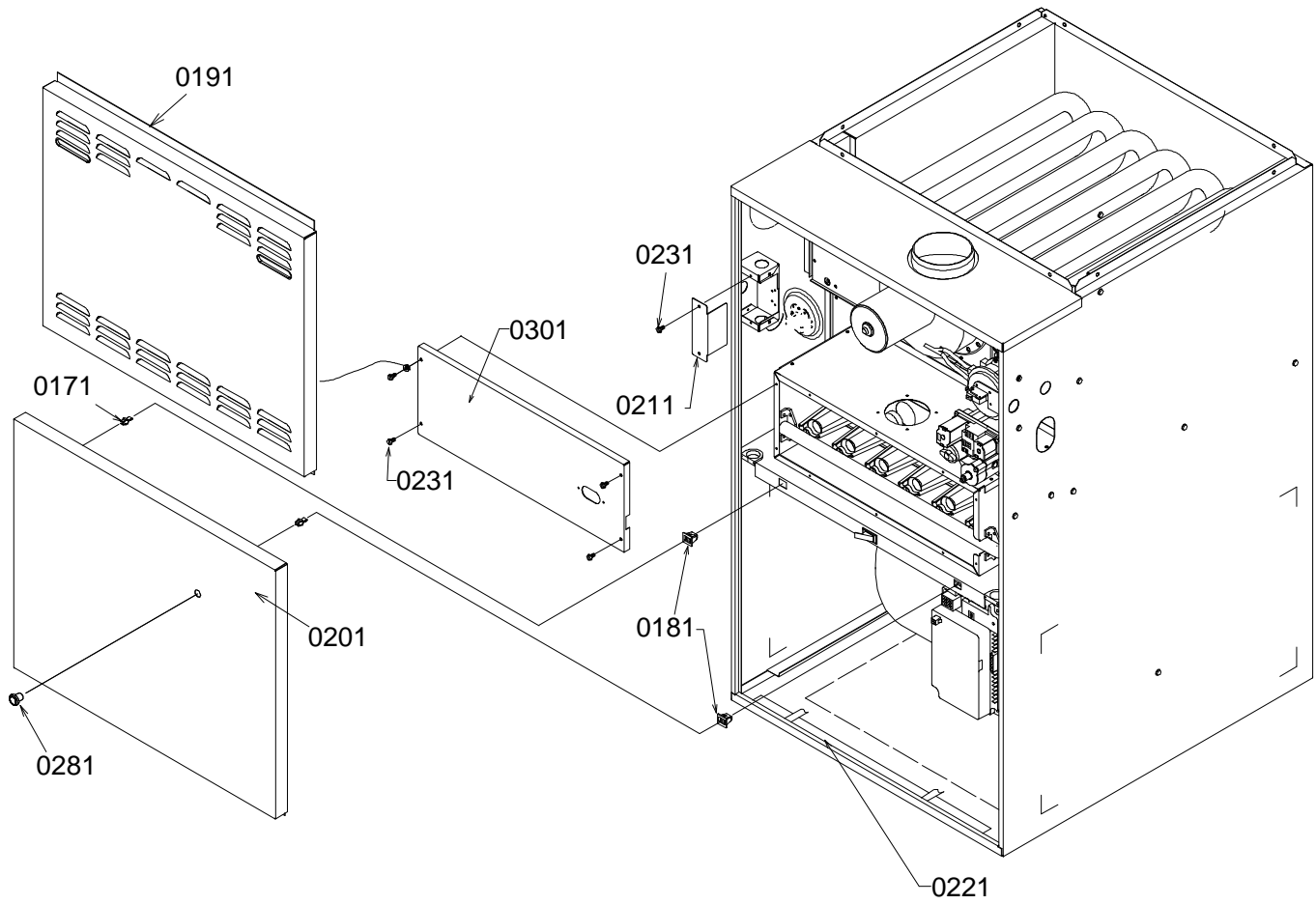
SPECIAL PARTS

11067325	INSTR-HI ALT FR
11067324	INSTR-LP FR
10772905	INSTRUCT-INSTAL
10759816	INSTRUCT-INSTALL
10759817	INSTRUCT-INSTALL
11067337	INSTRUCT-INSTALL FR
RP6620015	MANUAL-PARTS
RS6620002	MANUAL-SERVICE
10759612	MANUAL-USERS
11067336	MANUAL-USERS FR
20024601	MANUAL-VENTING
20024602	MANUAL-VENTING

Expanded Model and Color Nomenclature

M1 - GUI070CA35	P1211003F
M2 - GUI090CA30	P1211004F
M3 - GUI090CA50	P1211005F
M4 - GUI115CA50	P1211007F
M5 - GUI140CA50	P1211008F
M6 - GUI070CX35	P1211103F
M7 - GUI090CX50	P1211105F

Front Panels



Front Panels

Ref. Part No:	Ref. Part No:	Description:	Description:
---------------	---------------	--------------	--------------

Image 1

0171 10690101	STRIKE-DOOR (QTY 2)
0181 10690001	DOOR CATCH ASSY (QTY 2)
0191 10727802	ACCESS DOOR (M1, M6)
0191 10727804	ACCESS DOOR (M2, M3, M7)
0191 10727806	ACCESS DOOR (M4, M5)
0201 10727714	BLOWER-DOOR (M1, M6)
0201 10727716	BLOWER-DOOR (M2, M3, M7)
0201 10727718	BLOWER-DOOR (M4, M5)
0211 10736201	COVER-HV BOX
0221 A9020401	RETAINER-FILTER (M1, M6)
0221 A9020402	RETAINER-FILTER (M2, M3, M7)
0221 A9020403	RETAINER-FILTER (M4, M5)
0231 M0216529	SCREW-SM (QTY AR)
0281 11104001	SNAP-BUSHING CLR
0301 10734607	BOX-FRONT BNR (M1, M6)
0301 10734608	BOX-FRONT BNR (M2, M3, M7)
0301 10734609	BOX-FRONT BNR (M4)
0301 10734610	BOX-FRONT BNR (M5)

Expanded Model and Color Nomenclature

M1 - GUI070CA35	P1211003F
M2 - GUI090CA30	P1211004F
M3 - GUI090CA50	P1211005F
M4 - GUI115CA50	P1211007F
M5 - GUI140CA50	P1211008F
M6 - GUI070CX35	P1211103F
M7 - GUI090CX50	P1211105F

Partition Tube/Collector Box/Manifold

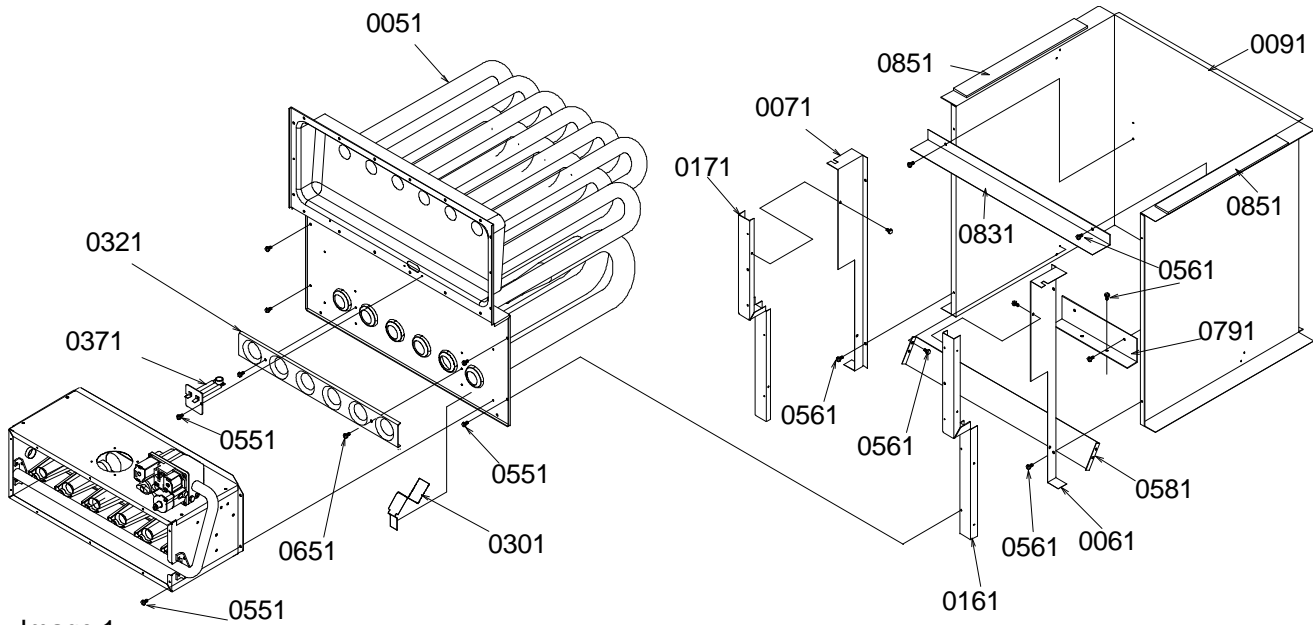


Image 1

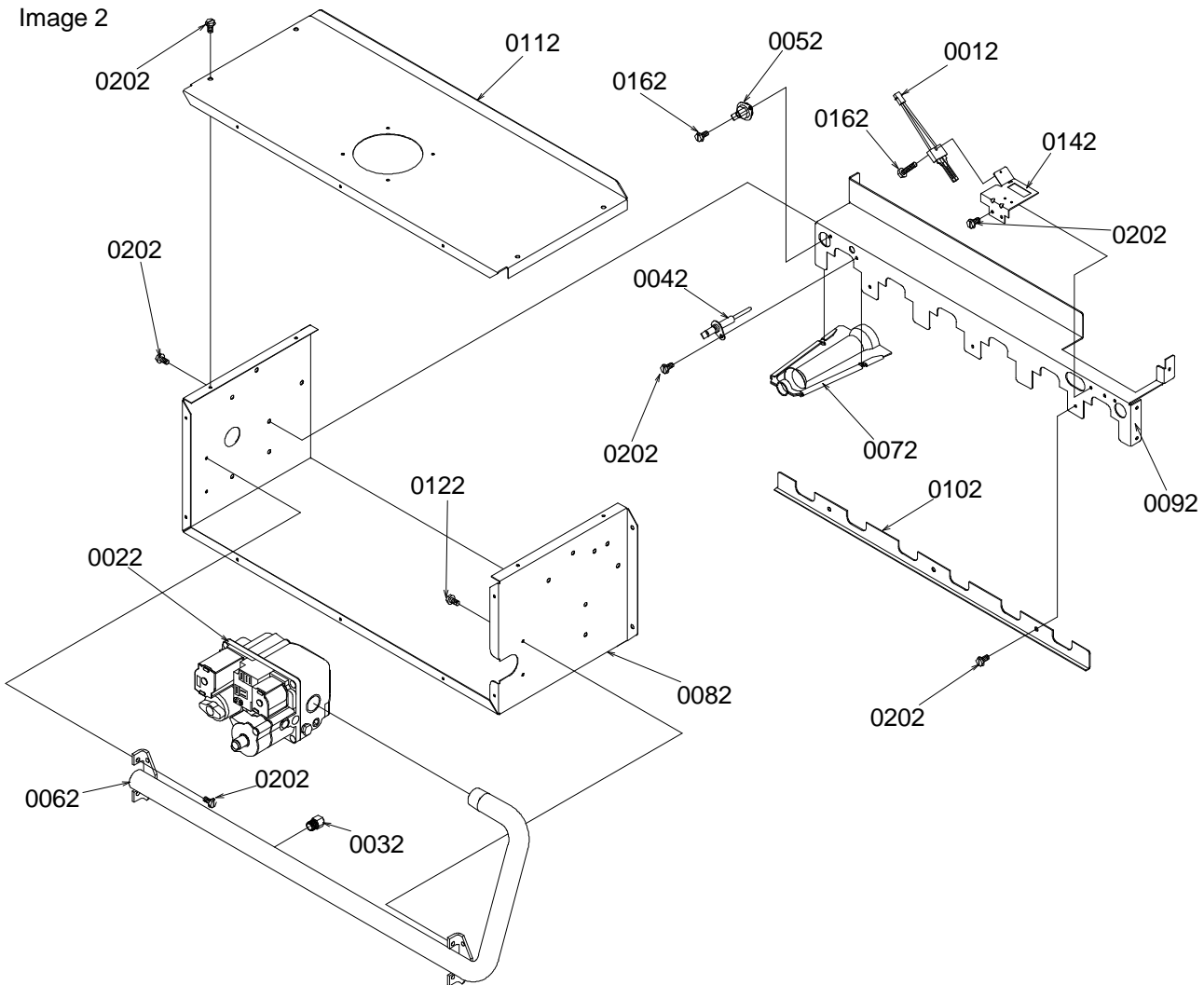
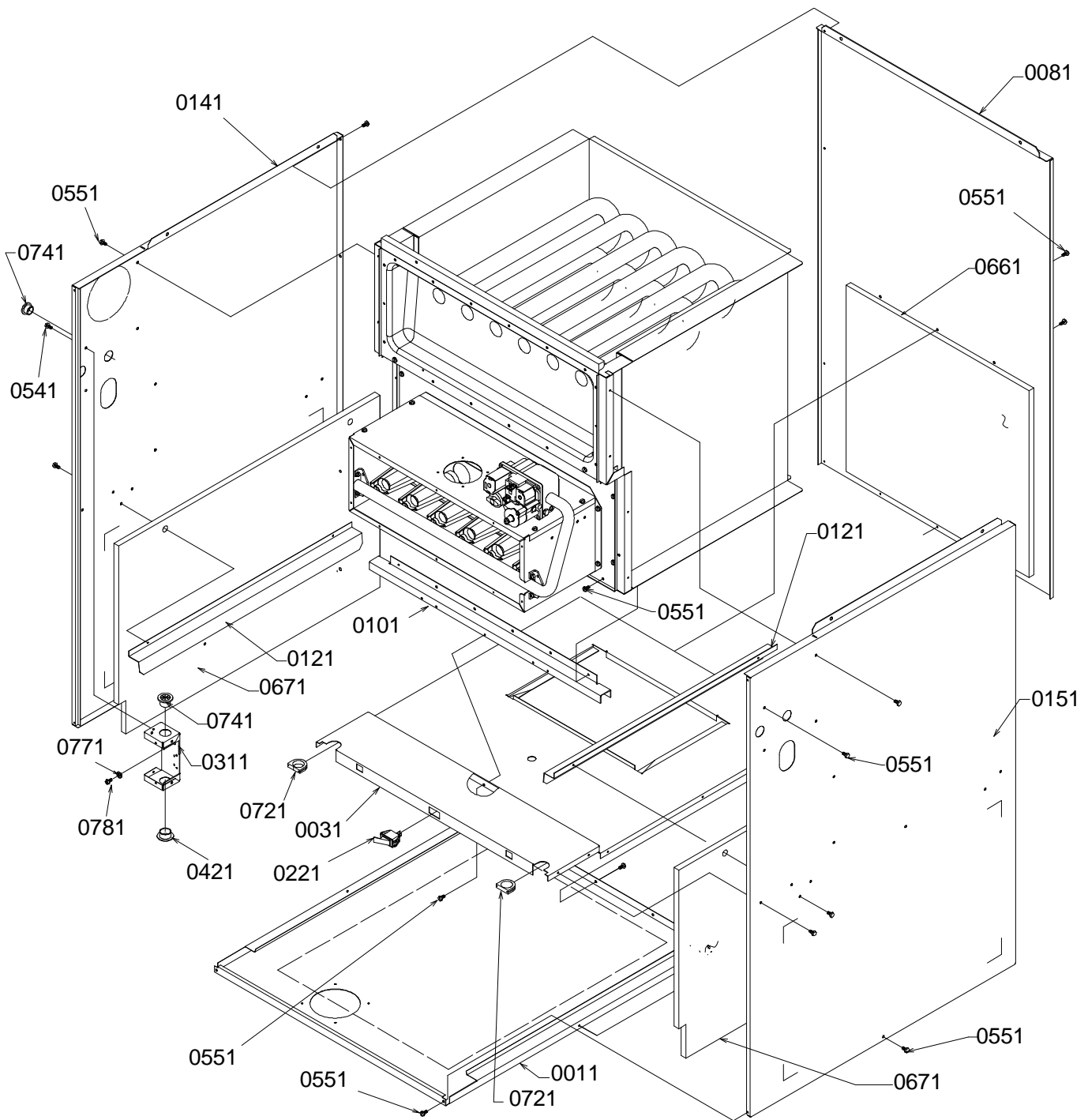


Image 2

Partition Tube/Collector Box/Manifold

Ref. Part No:	Description:	Ref. Part No:	Description:
<i>Image 1</i>		0102 10734702	BRKT-LOCK BURNER (M1, M6)
0051 11094102	PART/TUBE ASSY (M1, M6)	0102 10734703	BRKT-LOCK BURNER (M2, M3, M7)
0051 11094103	PART/TUBE ASSY (M2, M3, M7)	0102 10734704	BRKT-LOCK BURNER (M4)
0051 11094104	PART/TUBE ASSY (M4)	0102 10734705	BRKT-LOCK BURNER (M5)
0051 11094110	PART/TUBE ASSY (M5)	0112 10734502	TOP-BOX BURNER (M1, M6)
0061 10728601	BRKT-LINER MTG	0112 10734503	TOP-BOX BURNER (M2, M3, M7)
0071 10728602	BRKT-LINER MTG	0112 10734504	TOP-BOX BURNER (M4)
0091 10728708	LINER-CABINET (M1, M6)	0112 10734505	TOP-BOX BURNER (M5)
0091 10728709	LINER-CABINET (M2, M3, M7)	0122 M0253516	SCREW-TR (QTY 2)
0091 10728710	LINER-CABINET (M4)	0142 11008703	BRKT-SENSOR
0091 10728711	LINER-CABINET (M5)	0162 M0216519	SCREW-SM (QTY AR)
0161 10728503	RAIL-PART PANEL	0202 M0216529	SCREW-SM (QTY AR)
0171 10728504	RAIL-PART PANEL	Expanded Model and Color Nomenclature	
0301 10624002	INSERT-MESH TUBE (M6, M7) (QTY AR)	M1 - GUI5070CA35	P1211003F
0321 11072202	SHIELD-ORIFICE (M1, M6)	M2 - GUI5090CA30	P1211004F
0321 11072203	SHIELD-ORIFICE (M2, M3, M7)	M3 - GUI5090CA50	P1211005F
0321 11072204	SHIELD-ORIFICE (M4)	M4 - GUI5115CA50	P1211007F
0321 11072205	SHIELD-ORIFICE (M5)	M5 - GUI5140CA50	P1211008F
0371 10728325	LIMIT (M5)	M6 - GUI5070CX35	P1211103F
0371 10728331	LIMIT (M2, M3, M4, M7)	M7 - GUI5090CX50	P1211105F
0371 10728334	LIMIT (M1, M6)		
0551 M0219916	SCREW-SM (QTY AR)		
0561 M0224303	SCREW-SM (QTY AR)		
0581 11008801	BAFFLE-DECK (M1, M6, M7)		
0581 11008802	BAFFLE-DECK (M2)		
0651 M0211020	SCREW-SM (QTY AR)		
0791 11008303	BAFFLE-LINER (M7)		
0791 11008306	BAFFLE-LINER (M1, M2, M3, M4, M5, M6)		
0831 11008302	BAFFLE-LINER (M1, M6, M7)		
0831 11008303	BAFFLE-LINER (M2, M3)		
0831 11008304	BAFFLE-LINER (M4)		
0831 11008305	BAFFLE-LINER (M5)		
0851 11072401	GASKET-LINER (QTY 2)		
<i>Image 2</i>			
0012 10735002	IGNITOR		
0022 C6476906	VALVE-GAS		
0032 10716003	ORIFICE (QTY AR)		
0042 10735201	FLAME-SENSOR		
0052 10123508	LIMIT-RESET MAN (M1, M6)		
0052 10123510	LIMIT-RESET MAN (M2, M3, M7)		
0052 10123512	LIMIT-RESET MAN (M4, M5)		
0062 10568802	MANIFOLD (M1, M6)		
0062 10568803	MANIFOLD (M2, M3, M7)		
0062 10568804	MANIFOLD (M4)		
0062 10568805	MANIFOLD (M5)		
0072 10735102	BECKETT BURNER (QTY AR)		
0082 10734411	BOX-BURNER (M1, M6)		
0082 10734412	BOX-BURNER (M2, M3, M7)		
0082 10734413	BOX-BURNER (M4)		
0082 10734414	BOX-BURNER (M5)		
0092 11008102	BRKT-BURNER (M1, M6)		
0092 11008103	BRKT-BURNER (M2, M3, M7)		
0092 11008104	BRKT-BURNER (M4)		
0092 11008105	BRKT-BURNER (M5)		

Outer Cabinet



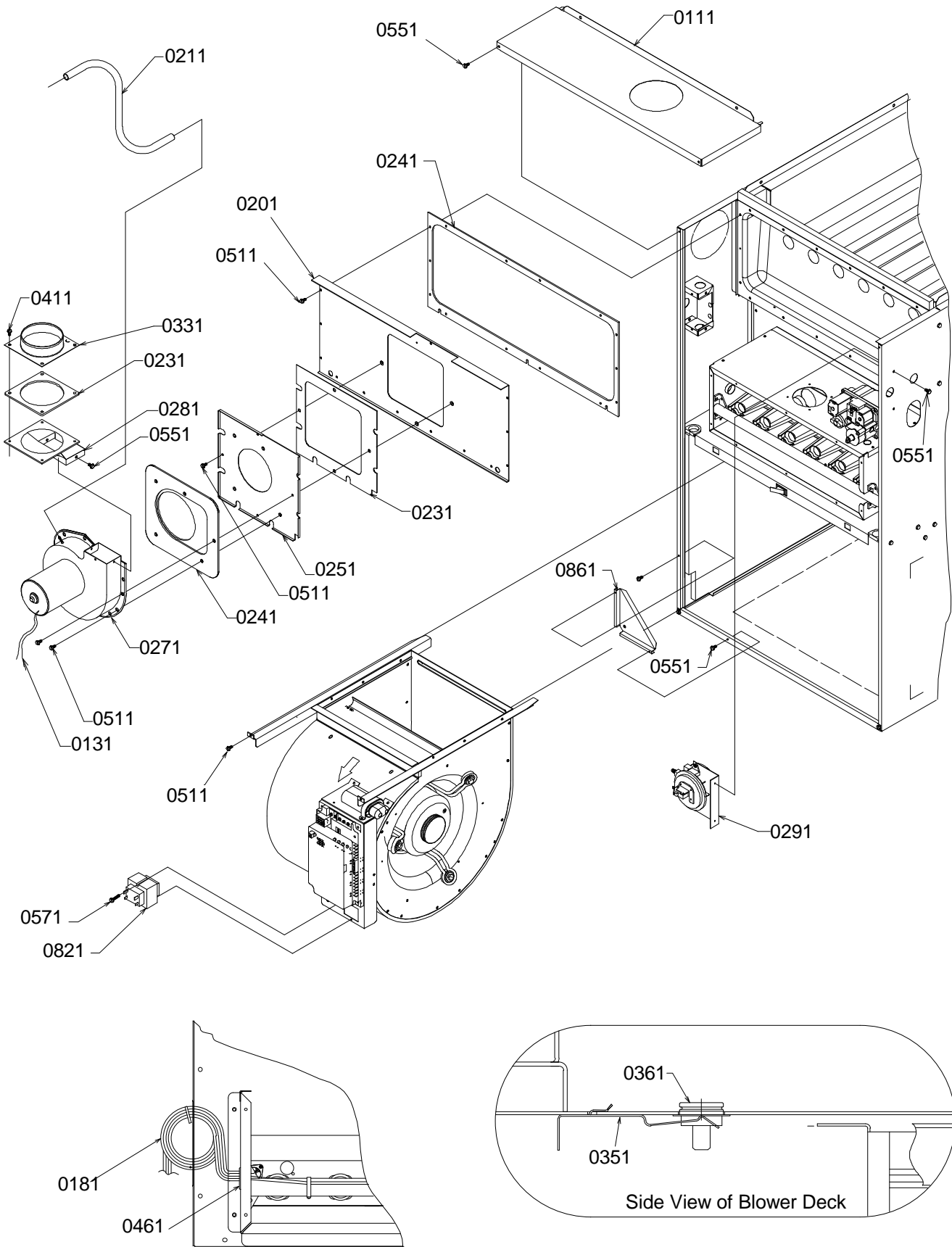
Outer Cabinet

Ref. Part No:	No:	Description:	Ref. Part No:	No:	Description:
<i>Image 1</i>					
0011	10727508	BASEPAN (M1, M6)			
0011	10727510	BASEPAN (M2, M3, M7)			
0011	10727512	BASEPAN (M4, M5)			
0031	11034806	DECK-BLOWER (M1, M6)			
0031	11034808	DECK-BLOWER (M2, M3, M7)			
0031	11034809	DECK-BLOWER (M4, M5)			
0081	10727414	BACK PANEL (M1, M6)			
0081	10727416	BACK PANEL (M2, M3, M7)			
0081	10727418	BACK PANEL (M4, M5)			
0101	10728401	SUPPORT-PART PAN (M1, M6)			
0101	10728402	SUPPORT-PART PAN (M2, M3, M7)			
0101	10728403	SUPPORT-PART PAN (M4, M5)			
0121	10690301	ANGLE-FILTER (QTY 2)			
0141	10727114	L SIDE PANEL			
0151	10727014	R SIDE PANEL			
0221	10690401	SWITCH-INTERLOCK			
0311	10736102	BOX-HIGH VOLTAGE			
0421	A4554801	BUSHING-SNAP			
0541	M0216716	SCREW-SM (QTY AR)			
0551	M0219916	SCREW-SM (QTY AR)			
0661	20006602	INSULATION (M2, M3, M7)			
0661	20006603	INSULATION (M4, M5)			
0671	20007302	INSULATION-SIDE (QTY 2)			
0721	A4568804	GROMMET-D (QTY 2)			
0741	M0571002	BUSHING-SNAP (QTY 2)			
0771	M0270001	WASHER-CUP			
0781	M0227803	SCREW-TC			

Expanded Model and Color Nomenclature

M1 - GUI070CA35	P1211003F
M2 - GUI090CA30	P1211004F
M3 - GUI090CA50	P1211005F
M4 - GUI115CA50	P1211007F
M5 - GUI140CA50	P1211008F
M6 - GUI070CX35	P1211103F
M7 - GUI090CX50	P1211105F

Vent System/Controls



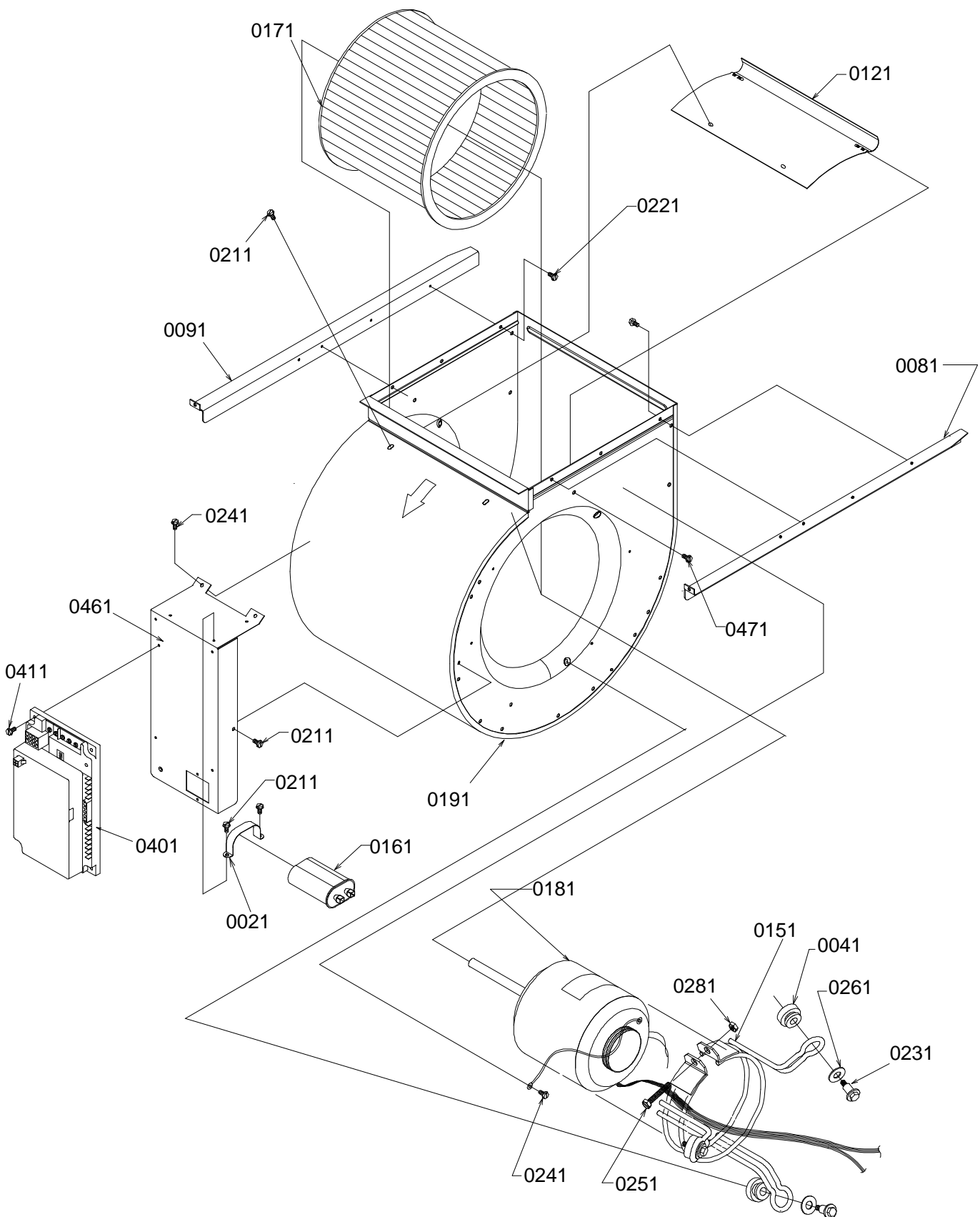
Vent System/Controls

Ref. Part No:	Ref. Part No:	Description:	Description:
<i>Image 1</i>			
0111 10779120		TOP COVER (M1, M6)	
0111 10779122		TOP COVER (M2, M3, M7)	
0111 10779124		TOP COVER (M4, M5)	
0131 11176904		HARNESS-WIRING (5 PIN CONNECTOR)	
0181 11176903		HARNESS-WIRING (12 PIN CONNECTOR)	
0201 10764404		PLATE-PARTITION (M1, M6)	
0201 10764405		PLATE-PARTITION (M2, M3, M7)	
0201 10764406		PLATE-PARTITION (M4, M5)	
0211 B1410310		HOSE-PRESSURE SW	
0231 10764601		GASKET-ROTATE PLT	
0241 11142201		GASKET-COLL/ID (M1, M6)	
0241 11142202		GASKET-COLL/ID (M2, M3, M7)	
0241 11142203		GASKET-COLL/ID (M4, M5)	
0251 10764308		PLATE-ROTATING (M1, M6)	
0251 10764309		PLATE-ROTATING (M5)	
0251 10764320		PLATE-ROTATING (M2, M3, M4, M7)	
0271 11177201		BLOWER-ID	
0281 11072301		TRAN-ID BLOW	
0291 11177102		SWITCH-PRESSURE (M2, M3, M7)	
0291 11177103		SWITCH-PRESSURE (M1, M6)	
0291 11177104		SWITCH-PRESSURE (M5)	
0291 11177105		SWITCH-PRESSURE (M4)	
0331 11009701		TOP-TRAN PLATE	
0351 10861101		BRKT-AUX LIMIT	
0361 10123506		LIMIT-RESET MAN (M4, M5)	
0361 10123516		LIMIT-RESET MAN (M1, M2, M3, M6, M7)	
0411 M0253516		SCREW-TR (QTY 4)	
0461 A4554815		BUSHING-SNAP (M1, M2, M3, M4, M6, M7)	
0511 M0219918		SCREW-SM (QTY AR)	
0551 M0219916		SCREW-SM (QTY AR)	
0571 M0216536		SCREW-SM (QTY AR)	
0821 C6349701		TRANSFORMER	
0861 11094902		CORNER BRKT PNT (QTY 2)	

Expanded Model and Color Nomenclature

M1 - GUI5070CA35	P1211003F
M2 - GUI5090CA30	P1211004F
M3 - GUI5090CA50	P1211005F
M4 - GUI5115CA50	P1211007F
M5 - GUI5140CA50	P1211008F
M6 - GUI5070CX35	P1211103F
M7 - GUI5090CX50	P1211105F

Blower



Blower

Ref. Part No: No:	Description:	Ref. Part No: No:	Description:
<i>Image 1</i>			
0021 A3410501	STRAP-CAPACITOR		
0041 A4002702	GROMMET (QTY 3)		
0081 10744901	RAIL-SIDE BLOWER		
0091 10744902	RAIL-SIDE BLOWER		
0121 C6121802	CUTOFF (M1, M6)		
0121 C6121806	CUTOFF (M4, M5)		
0121 C6121810	CUTOFF (M2, M3, M7)		
0151 C9443701	BRKT-MOTOR MT (M4, M5)		
0151 C9443702	BRKT-MOTOR MT (M1, M2, M3, M6, M7)		
0161 D6859325	CAPACITOR (M1, M6)		
0161 D6879739	CAPACITOR (M2)		
0161 D6879740	CAPACITOR (M5)		
0161 D6879746	CAPACITOR (M3, M4, M7)		
0171 D6723302	WHEEL-BLOWER (M2, M3, M7)		
0171 D6723303	WHEEL-BLOWER (M4, M5)		
0171 D6723316	WHEEL-BLOWER (M1, M6)		
0181 10759207	MOTOR-BLOW 1/2 HP (M1, M6)		
0181 10759305	MOTOR-BLOW 1/2 HP (M2)		
0181 10759406	MOTOR-BLOW 1/2 HP (M3, M7)		
0181 10759407	MOTOR-BLOW 3/4 HP (M4)		
0181 10759408	MOTOR-BLOW 3/4 HP (M5)		
0191 10745604	BLOWER HSG (M1, M6)		
0191 10745608	BLOWER HSG (M2, M3, M7)		
0191 10745610	BLOWER HSG (M4, M5)		
0211 M0211016	SCREW-SM (QTY AR)		
0221 M0253516	SCREW-TR (QTY 6)		
0231 M0221461	SCREW-TC (QTY 3)		
0241 M0233716	SCREW-SD (QTY 3)		
0251 M0267144	SCREW-MACH		
0261 M0274008	WASHER-FLAT (QTY 3)		
0281 M0282015	NUT-KEPS		
0401 10207708	CONTROL-INTEG		
0411 M0216531	SCREW-SM (QTY AR)		
0461 10746201	BRKT-CONTROL		
0471 M0211020	SCREW-SM (QTY AR)		

Expanded Model and Color Nomenclature

M1 - GUI070CA35	P1211003F
M2 - GUI090CA30	P1211004F
M3 - GUI090CA50	P1211005F
M4 - GUI115CA50	P1211007F
M5 - GUI140CA50	P1211008F
M6 - GUI070CX35	P1211103F
M7 - GUI090CX50	P1211105F