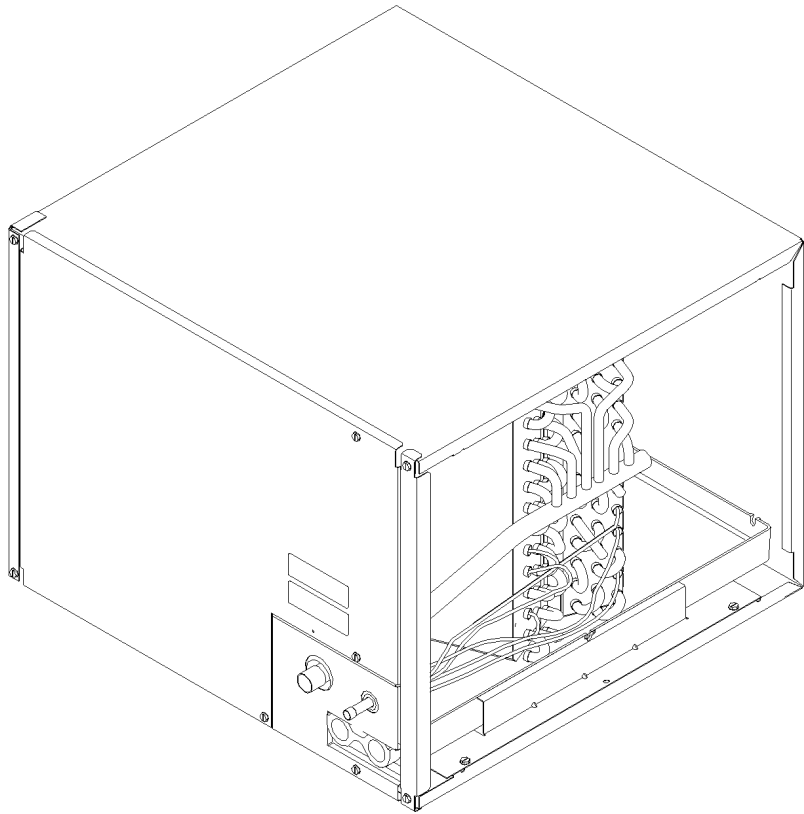


## CHF\*TCC/FCC Evaporator Coils

CCF24FCC	P1210901C
CCF24FDC	P1210908C
CCF30FCC	P1210902C
CCF36FCC	P1210903C
CCF36FDC	P1210909C
CCF42FCC	P1210904C
CCF48FCC	P1210905C
CCF48FDC	P1210910C
CCF60FCC	P1210906C
CHF18TCC	P1210911C
CHF24TCC	P1210912C
CHF30TCC	P1210913C
CHF36TCC	P1210914C
CHF42TCC	P1210915C
CHF48TCC	P1210916C
CHF60TCC	P1210920C
CHF61TCC	P1210922C



RP6230005 Rev. 4  
May 2007

Amana is a trademark of Maytag Corporation and used under license to Goodman Company, L.P. All rights reserved.

This manual is to be used by qualified technicians only.

[www.amana-hac.com](http://www.amana-hac.com)

This manual replaces RP6230005 Rev. 3  
Copyright © 1996-2007 Goodman Company, L.P.

# Important Information

---

## Index

Functional Parts List .....	3
Illustration and Parts .....	4 - 5

*Views shown are for parts illustrations only, not servicing procedures*

Rev.4: Corrected evap coil part number.

### Text Codes:

AR - As Required

NA - Not Available

NS - Not Shown

00000000 - See Note

QTY - Quantity Example (QTY 3) (If Quantity not shown, Quantity = 1)

M - Model Example (M1) (If M Code not shown, then part is used on all Models)

### Expanded Model Nomenclature:

Example M1 - Model#1 M2 - Model#2 M3 - Model#3
---

Goodman Company, L.P. is not responsible for personal injury or property damage resulting from improper service. Review all service information before beginning repairs.

Warranty service must be performed by an authorized technician, using authorized factory parts. If service is required after the warranty expires, Goodman Company, L.P. also recommends contacting an authorized technician and using authorized factory parts.

Goodman Company, L.P. reserves the right to discontinue, or change at any time, specifications or designs without notice or without incurring obligations.

For assistance within the U.S.A. contact:

Consumer Affairs Department  
Goodman Company, L.P.  
7401 Security Way  
Houston, Texas 77040  
877-254-4729-Telephone  
713-863-2382-Facsimile

For assistance outside the U.S.A. contact:

International Division  
Goodman Company, L.P.  
7401 Security Way  
Houston, Texas 77040  
713-861-2500-Telephone  
713-863-2382-Facsimile

# Functional Parts

**Part**

**No: Description:**

---

1272409	EVAP ASSY (M6, M9, M15, M16, M17)
1272408	EVAP ASSY (M4, M5, M7, M8, M13, M14)
1272407	EVAP ASSY (M1, M2, M3, M10, M11, M12)
11062024	EXPANSION VALVE (M14, M15)
11062023	EXPANSION VALVE (M12, M13)
11062025	EXPANSION VALVE (M16)
11062022	EXPANSION VALVE (M10, M11)
11076303	PISTON-ORIFICE 0591 (M1, M7)
11076317	PISTON-ORIFICE 0650 (M2)
11076318	PISTON-ORIFICE 0710 (M3, M8)
11076309	PISTON-ORIFICE 0760 (M4)
11076312	PISTON-ORIFICE 0846 (M5, M9)
11076314	PISTON-ORIFICE 0925 (M6, M17)
A4692801	VALVE CORE

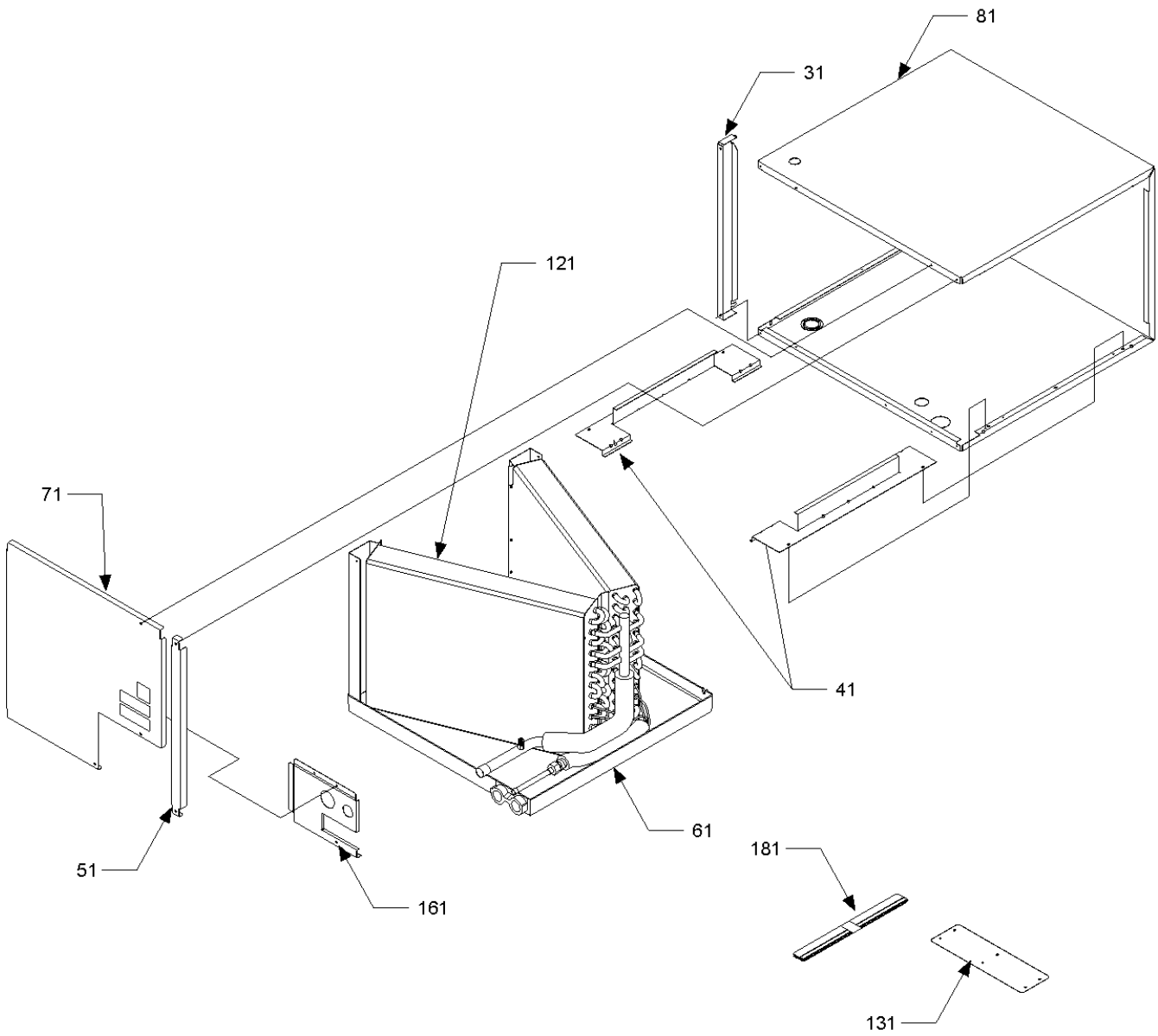
**SPECIAL PARTS**

10618423	INSTALLATION INSTRUCTIONS
RP6230005	REPAIR PARTS MANUAL

Expanded Model Nomenclature

M1 - CCF24FCC	P1210901C
M2 - CCF30FCC	P1210902C
M3 - CCF36FCC	P1210903C
M4 - CCF42FCC	P1210904C
M5 - CCF48FCC	P1210905C
M6 - CCF60FCC	P1210906C
M7 - CCF24FDC	P1210908C
M8 - CCF36FDC	P1210909C
M9 - CCF48FDC	P1210910C
M10 - CHF18TCC	P1210911C
M11 - CHF24TCC	P1210912C
M12 - CHF30TCC	P1210913C
M13 - CHF36TCC	P1210914C
M14 - CHF42TCC	P1210915C
M15 - CHF48TCC	P1210916C
M16 - CHF60TCC	P1210920C
M17 - CHF61TCC	P1210922C

# Coil Assembly



# Coil Assembly

Ref Part No:	Description:	Ref. Part No:	Description:
<i>Image 1:</i>		Expanded Model Nomenclature	
31	11081804	CABINET TOP ASSY (M1, M2, M3)	M1 - CCF24FCC P1210901C
31	11081805	CABINET TOP ASSY (M4, M5, M7, M8)	M2 - CCF30FCC P1210902C
31	11081806	CABINET TOP ASSY (M6, M9, M17)	M3 - CCF36FCC P1210903C
31	11081810	CABINET TOP ASSY (M10, M11, M12)	M4 - CCF42FCC P1210904C
31	11081811	CABINET TOP ASSY (M13, M14)	M5 - CCF48FCC P1210905C
31	11081812	CABINET TOP ASSY (M15, M16)	M6 - CCF60FCC P1210906C
41	20186503	PAN MOUNT (QTY 2)	M7 - CCF24FDC P1210908C
51	11081304	FRONT PANEL ASSY (M1, M2, M3)	M8 - CCF36FDC P1210909C
51	11081305	FRONT PANEL ASSY (M4, M5, M7, M8)	M9 - CCF48FDC P1210910C
51	11081306	FRONT PANEL ASSY (M6, M9, M17)	M10 - CHF18TCC P1210911C
51	11081310	FRONT PANEL ASSY (M10, M11, M12)	M11 - CHF24TCC P1210912C
51	11081311	FRONT PANEL ASSY (M13, M14)	M12 - CHF30TCC P1210913C
51	11081312	FRONT PANEL ASSY (M15, M16)	M13 - CHF36TCC P1210914C
61	11173803	DRIP PAN (M1, M2, M3, M4, M5, M6, M7, M8, M9, M10, M11, M12, M13, M14, M15)	M14 - CHF42TCC P1210915C
61	20257001	DRIP PAN (M16, M17)	M15 - CHF48TCC P1210916C
71	11081403	CABINET DOOR ASSY (M1, M2, M3)	M16 - CHF60TCC P1210920C
71	11081404	CABINET DOOR ASSY (M4, M5, M7, M8)	M17 - CHF61TCC P1210922C
71	11081405	CABINET DOOR ASSY (M6, M9, M17)	
71	11081411	CABINET DOOR ASSY (M10, M11, M12)	
71	11081412	CABINET DOOR ASSY (M13, M14)	
71	11081413	CABINET DOOR ASSY (M15, M16)	
81	11068623	BLOWER CABINET (M1, M2, M3, M10, M11, M12)	
81	11068625	BLOWER CABINET (M4, M5, M7, M8, M13, M14)	
81	11068625	BLOWER CABINET (M4, M5, M7, M8, M13, M14)	
81	11068627	BLOWER CABINET (M6, M9, M15, M16, M17)	
121	1272407	EVAP ASSY (M1, M2, M3, M10, M11, M12)	
121	1272408	EVAP ASSY (M4, M5, M7, M8, M13, M14)	
121	1272409	EVAP ASSY (M6, M9, M15, M16, M17)	
131	11084602	CONNECTION PLATE	
161	11176201	PIPING DOOR ASSY (M1, M2, M3, M4, M5, M6, M7, M8, M9, M17)	
161	11176203	PIPING DOOR ASSY (M10, M11, M12, M13, M14, M15, M16)	
181	10801106	DUCT FLANGE (M1, M2, M3, M4, M5, M7, M8, M10, M11, M12, M13, M14)	
181	10801107	DUCT FLANGE (QTY AR)	
NS	11062022	EXPANSION VALVE (M10, M11)	
NS	11062023	EXPANSION VALVE (M12, M13)	
NS	11062024	EXPANSION VALVE (M14, M15)	
NS	11062025	EXPANSION VALVE (M16)	
NS	A4692801	VALVE CORE	