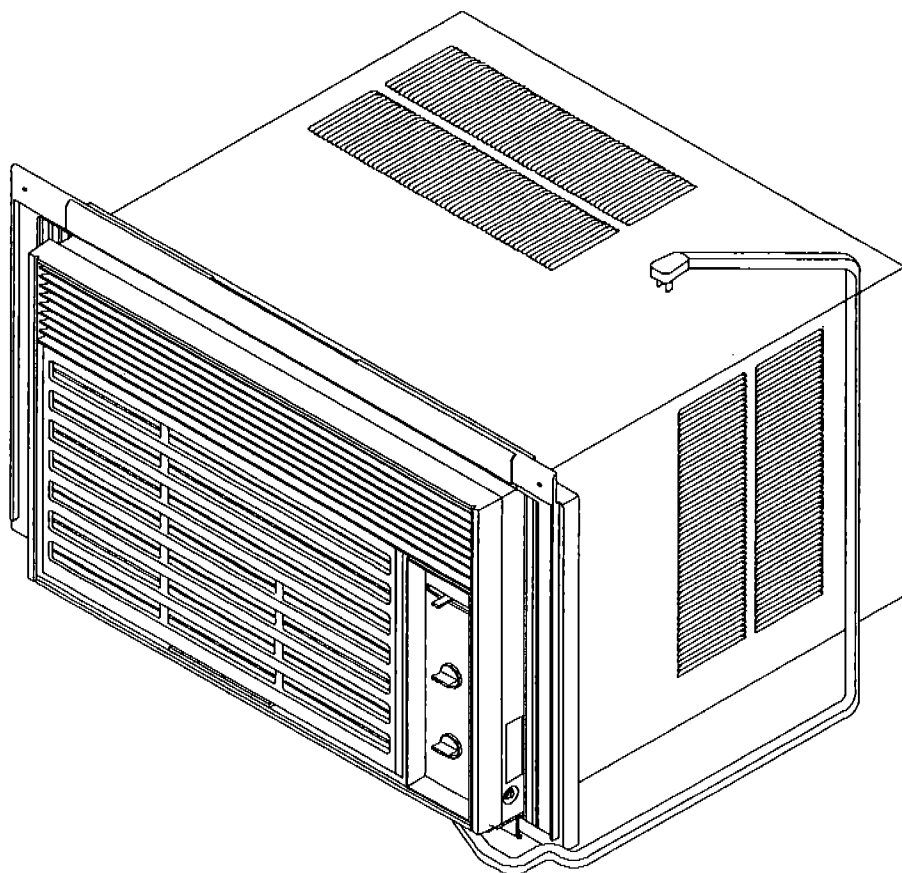


Parts

Quiet Zone Room Air Conditioners

Parts Manual for
Amana®



This manual is to be used by qualified appliance technicians only. Amana Refrigeration Inc. does not assume any responsibility for property damage or personal injury for improper service procedures done by an unqualified person.

Amana
A Raytheon Company

Models and manufacturing numbers in this manual

10QZ22RC	P1209802R
10QZ22RC1	P1209805R
12QZ22RC	P1209803R
12QZ22RC1	P1209806R
9QZ22RC	P1209801R
9QZ22RC1	P1209804R

RP4100004
Revision 0
August 1996

Important Information

Pride and workmanship go into every product to provide our customers with quality products. It is possible, however, that during its lifetime a product may require service. Products should be serviced only by a qualified service technician who is familiar with the safety procedures required in the repair and who is equipped with the proper tools, parts, testing instruments and the appropriate service manual.

REVIEW ALL SERVICE INFORMATION IN THE APPROPRIATE SERVICE MANUAL BEFORE BEGINNING REPAIRS.

Important Notices



IF REPAIRS ARE ATTEMPTED BY UNQUALIFIED PERSONS, DANGEROUS CONDITIONS (SUCH AS EXPOSURE TO ELECTRICAL SHOCK) MAY RESULT. THIS MAY CAUSE SERIOUS INJURY OR DEATH.



AMANA WILL NOT BE RESPONSIBLE FOR ANY INJURY OR PROPERTY DAMAGE ARISING FROM IMPROPER SERVICE OR SERVICE PROCEDURES. IF YOU PERFORM SERVICE ON YOUR OWN PRODUCT, YOU ASSUME RESPONSIBILITY FOR ANY PERSONAL INJURY OR PROPERTY DAMAGE WHICH MAY RESULT.

To locate an authorized servicer, please consult your telephone book or the dealer from whom you purchased this product. For further assistance, please contact:

CONSUMER AFFAIRS DEPT. OR 1-319-622-5511
AMANA REFRIGERATION, INC. CALL and ask for
AMANA, IOWA 52204 Consumer Affairs

If outside the United States contact:

AMANA REFRIGERATION, INC.
ATTN: INTERNATIONAL DIVISION
AMANA, IOWA 52204, USA
Telephone: (319) 622-5511
Facsimile: (319) 622-2180

RECOGNIZE SAFETY SYMBOLS, WORDS AND LABELS



DANGER - Immediate hazards which WILL result in severe personal injury or death.



WARNING - Hazards or unsafe practices which COULD result in severe personal injury or death.



CAUTION - Hazards or unsafe practices which COULD result in minor personal injury or product or property damage.

Index

Functional Parts List	5
Illustration and Parts	6 - 15

Views shown are for parts illustrations only, not servicing procedures.

Text Codes:

AR - As Required

0000 - Not Shown

QTY - Quantity Example (QTY 3) (If Quantity not shown, Quantity = 1)

M - Model Example (M1) (If M Code not shown, then part is used on all Models)

Expanded Model and Color Nomenclature:

Example	
M1 - Model#1	P _____
M2 - Model#2	P _____
M3 - Model#3	P _____

Functional Parts

Part No: **Description:**

D6879722 CAPACITOR (M3, M6)
D6879824 CAPACITOR (M5)
D6879845 CAPACITOR (M4)
D6879845 CAPACITOR (M1)
D6879731 CAPACITOR (M2, M5)
10812701 COMP-PN 2R13S3R126A (M1, M4)
D9831808 COMP-TC RKA5510EXA (M2, M5)
D9831803 COMP-TC RKA5512EXA (M3, M6)
D9878805 CONDENSER ASSY (M4, M5, M6)
D9878805 CONDENSER ASSY (M1, M2, M3)
11150501 CONTROL-ELECTRONIC
B4113216 CORD-POWER
11152602 EVAPORATOR ASSY
11152503 MOTOR-FAN (M1)
11152502 MOTOR-FAN (M2)
11152503 MOTOR-FAN (M4)
11152502 MOTOR-FAN (M5)
11152501 MOTOR-FAN (M3, M6)
D4976682 OVERLOAD (M1, M4)
D6961631 OVERLOAD (M3, M6)
D6961655 OVERLOAD (M2, M5)

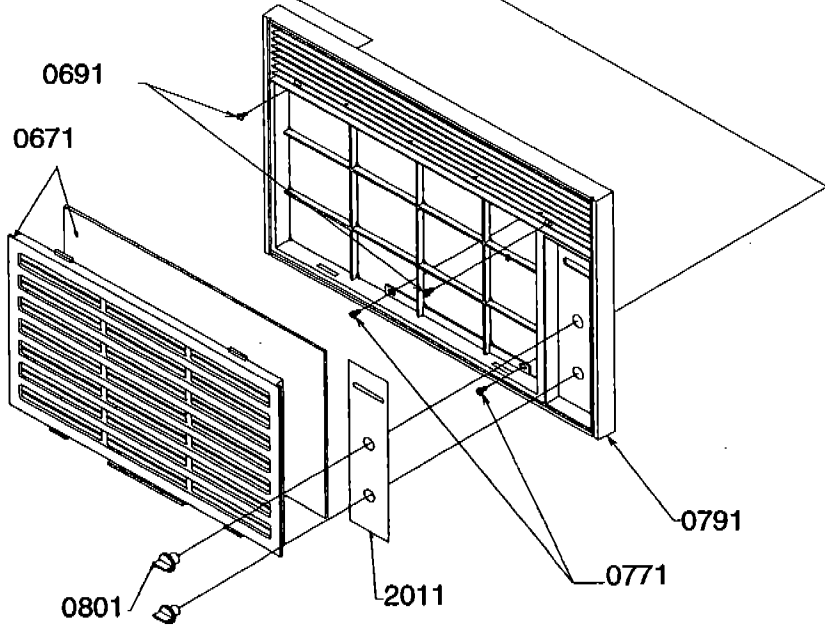
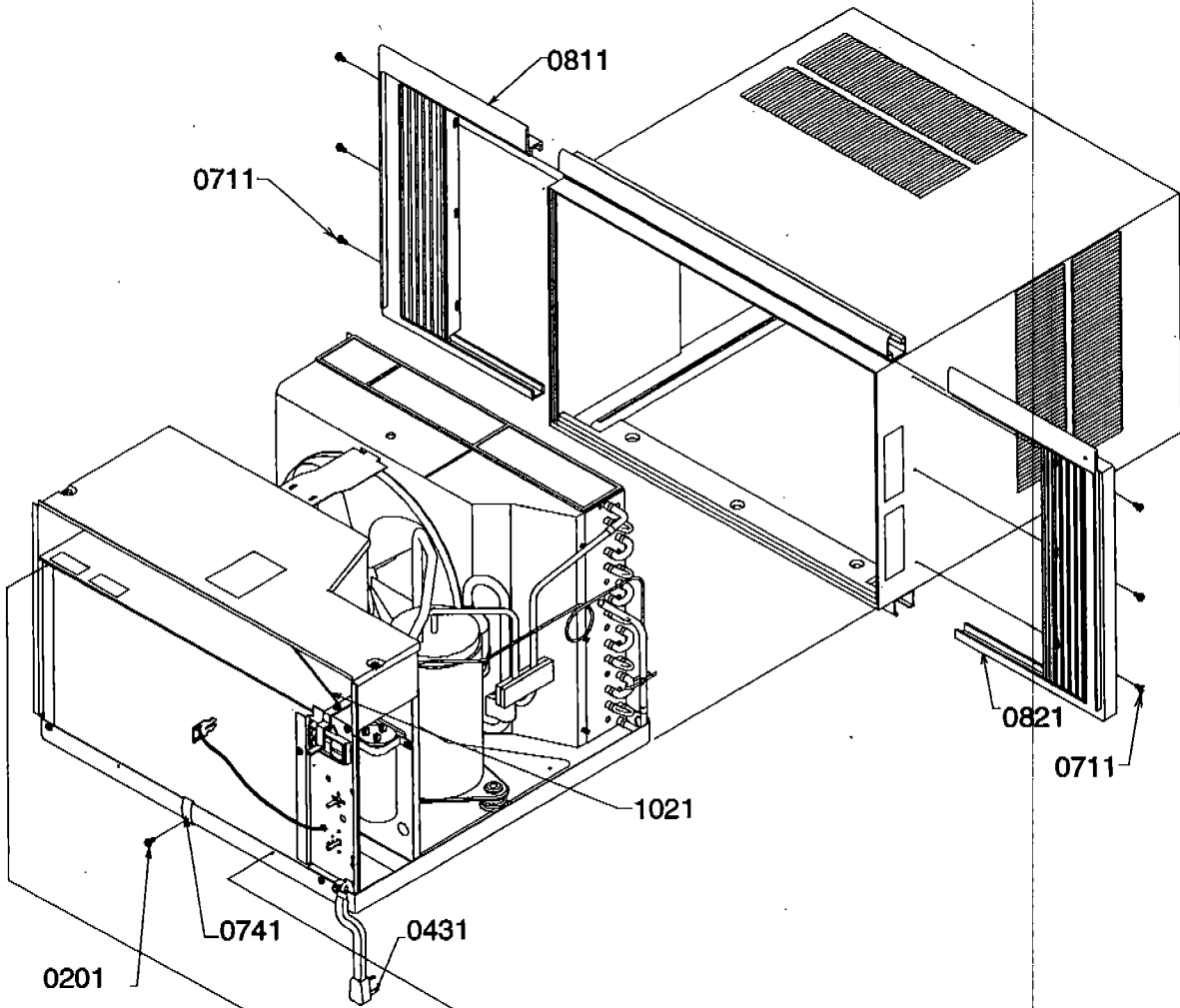
SPECIAL PARTS

A9037708 MANUAL-OWNERS
RP4100004 MANUAL-PARTS
M0275521 SEALER-PLASTIC (QTY AR)
M0321202 TIE-ELEC (QTY 2)

Expanded Model and Color Nomenclature

M1 - 9QZ22RC	P1209801R
M2 - 10QZ22RC	P1209802R
M3 - 12QZ22RC	P1209803R
M4 - 9QZ22RC1	P1209804R
M5 - 10QZ22RC1	P1209805R
M6 - 12QZ22RC1	P1209806R

Cabinet



Cabinet

Ref. Part No: No:	Description:	Ref. Part No: No:	Description:
----------------------	--------------	----------------------	--------------

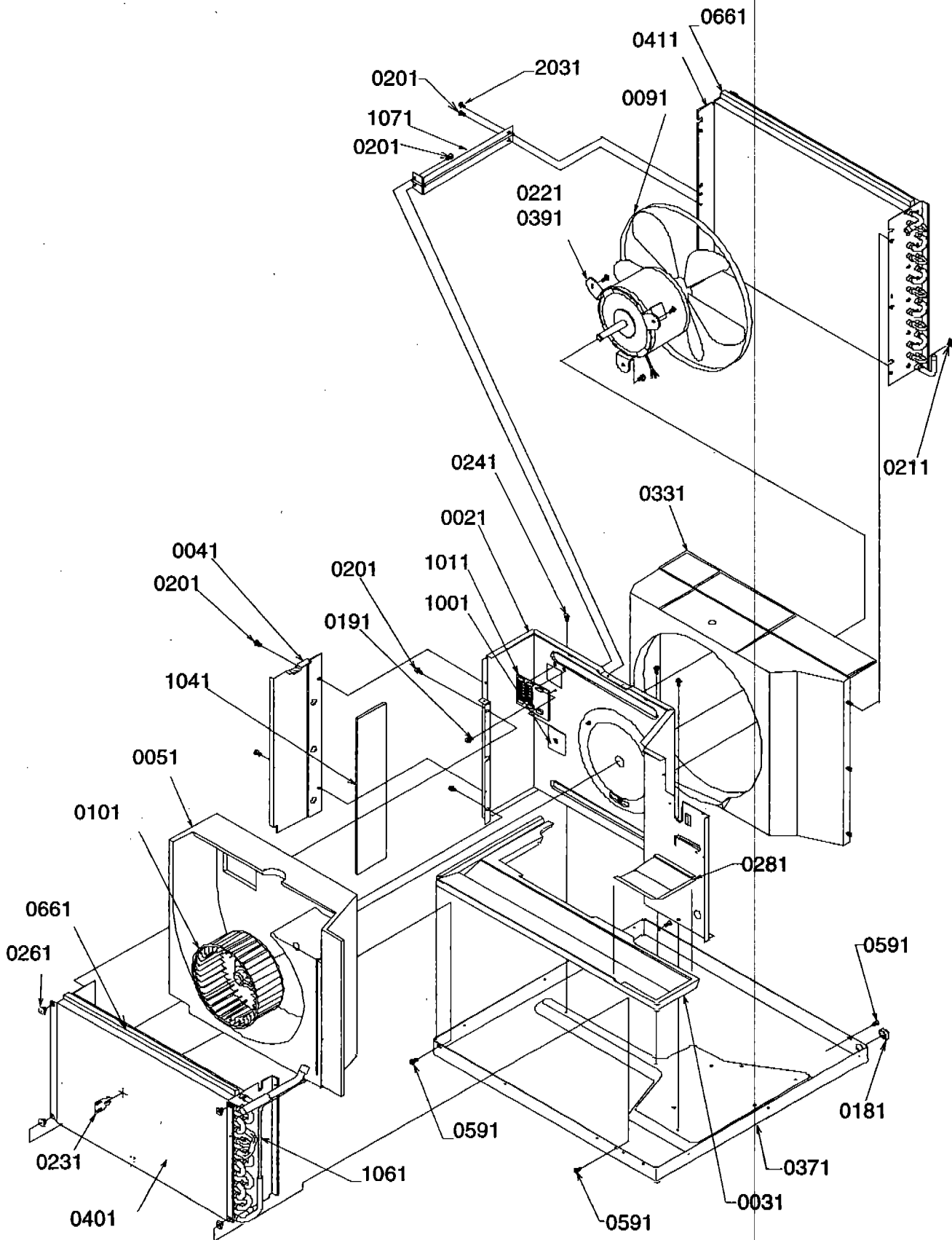
Image 1

0201	M0219916	SCREW-SM (QTY AR)
0431	B4113216	CORD-POWER
0671	10520004	INSERT/FILTER
0691	M0241118	SCREW-SM (QTY 2)
0711	M0216529	SCREW-SM (QTY 6)
0741	A9035301	CLAMP-RETAINING
0771	M0241116	SCREW-SM (QTY 2)
0791	10699911	FRONT FRAME ASSY
0801	10013410	KNOB-ROTARY (QTY 2)
0811	10659809	L FRAME ASSY
0821	10659810	R FRAME ASSY
1021	11018003	ACTUATOR
2011	C6399816	ESCUTCHEON

Expanded Model and Color Nomenclature

M1 - 9QZ22RC	P1209801R
M2 - 10QZ22RC	P1209802R
M3 - 12QZ22RC	P1209803R
M4 - 9QZ22RC1	P1209804R
M5 - 10QZ22RC1	P1209805R
M6 - 12QZ22RC1	P1209806R

Chassis



Chassis

Ref. No:	Part No:	Description:	Ref. No:	Part No:	Description:
----------	----------	--------------	----------	----------	--------------

Image 1

0021	D9928105	PANEL-PARTITION
0031	D6976601	BLOCK-FILLER
0041	D6982601	EXT-PART PANEL
0051	10671602	SCROLL
0091	C6399901	FAN-CONDENSER
0101	C6172701	WHEEL-BLOWER
0181	A3080003	PLUG-BUTTON
0191	M0216529	SCREW-SM (QTY 3)
0201	M0219916	SCREW-SM (QTY AR)
0211	A3315701	GROMMET (QTY 2)
0221	M0224956	SCREW-TAP R (QTY 3)
0231	11196701	CLIP-T'STAT SENSOR
0241	M0216716	SCREW-SM (QTY AR)
0261	M0586001	GROMMET-SCREW (QTY 4)
0281	C6399601	SHIELD-FILLER BLK
0331	D6974703	SHROUD-CONDENSER
0371	D6975510	BASEPAN-PNT (M2, M3, M5, M6)
0391	11152502	MOTOR-FAN (M2)
0391	11152503	MOTOR-FAN (M4)
0391	11152501	MOTOR-FAN (M3, M6)
0391	11152503	MOTOR-FAN (M1)
0391	11152502	MOTOR-FAN (M5)
0401	11152602	EVAPORATOR ASSY
0411	D9878805	CONDENSER ASSY (M4, M5, M6)
0411	D9878805	CONDENSER ASSY (M1, M2, M3)
0591	M0211017	SCREW-SM (QTY 4)
0661	10839803	GASKET-CROSS LINK (QTY AR)
1001	11016101	DOOR-VENT
1011	11016202	BASE-VENT
1041	10671507	INSUL-SIDE
1061	11152801	TUBE-ELBOW 1/4"
1071	11159001	BRACE-SIDE
2031	M0233716	SCREW-SD

Expanded Model and Color Nomenclature

M1 - 9QZ22RC	P1209801R
M2 - 10QZ22RC	P1209802R
M3 - 12QZ22RC	P1209803R
M4 - 9QZ22RC1	P1209804R
M5 - 10QZ22RC1	P1209805R
M6 - 12QZ22RC1	P1209806R

Controls

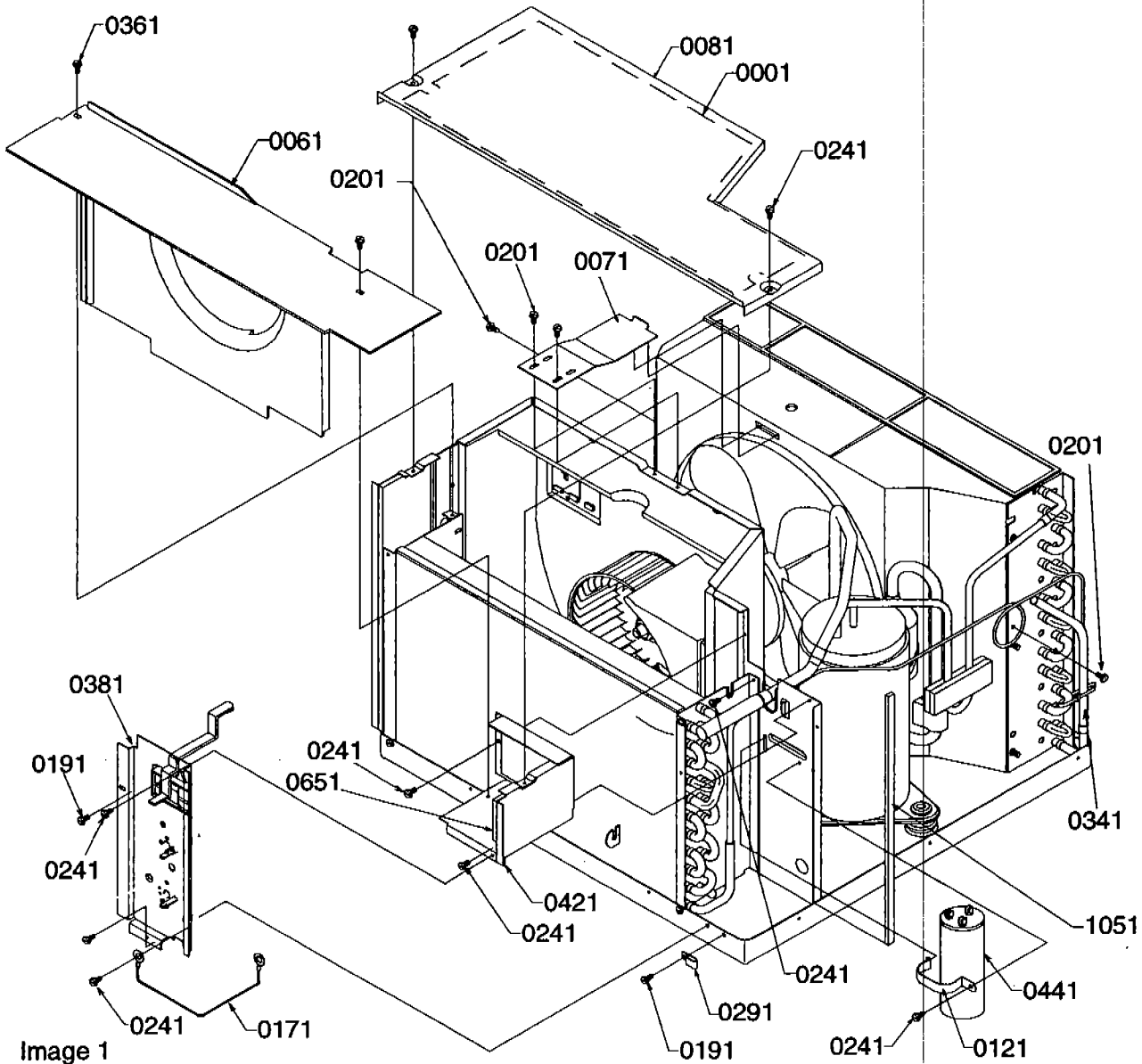
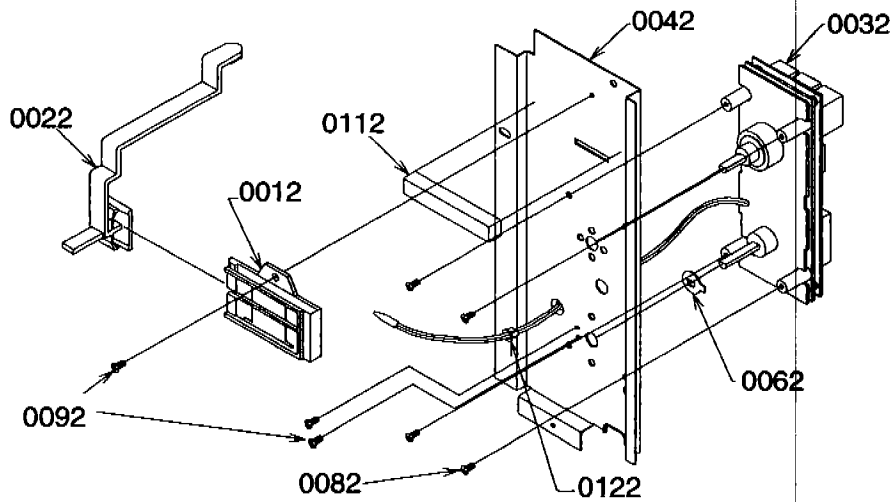


Image 1

Image 2



Controls

Ref. No:	Part No:	Description:	Ref. No:	Part No:	Description:
----------	----------	--------------	----------	----------	--------------

Image 1

0001	10671301	INSUL-TOP COVER
0061	D9961801	PANEL-INLET
0071	B1399601	BRACE-TIE
0081	D9914402	TOP COVER ASSY
0121	B1399901	STRAP-CAPACITOR (M2, M3, M5, M6)
0121	C6300502	STRAP-CAPACITOR (M1, M4, M5)
0171	C5946467	WIRE-JUMPER GN
0191	M0216529	SCREW-SM (QTY 3)
0201	M0219916	SCREW-SM (QTY AR)
0241	M0216716	SCREW-SM (QTY AR)
0291	M0103902	CLAMP-SPEED
0341	B1394401	STRAINER
0361	M0245116	SCREW-SM (QTY 2)
0381	11150701	CONT PANEL ASSY
0421	C6481705	BARRIER-CONTROL
0441	D6879824	CAPACITOR (M5)
0441	D6879845	CAPACITOR (M4)
0441	D6879731	CAPACITOR (M2, M5)
0441	D6879845	CAPACITOR (M1)
0441	D6879722	CAPACITOR (M3, M6)
0651	10671203	INSUL-VENT BRKT
1051	10839801	GASKET-CROSS LINK (QTY 14)

Image 2

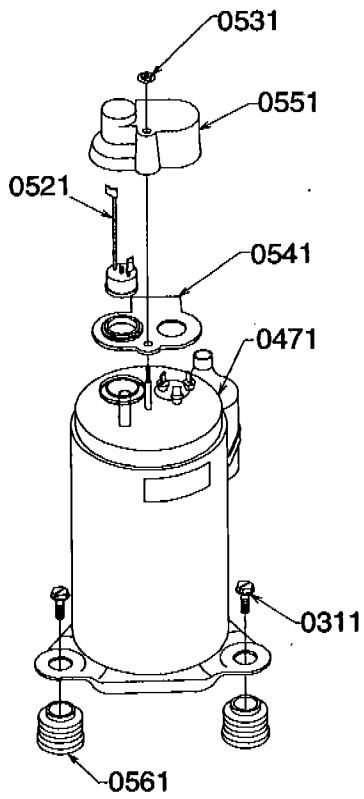
0012	C6382902	SLIDE-VENT DOOR
0022	C6397703	CONT-VENT DOOR
0032	11150501	CONTROL-ELECTRONIC
0042	11152202	PANEL-CONTROL
0062	A3492802	POINTER
0082	M0226601	SCREW-PLASTITE 48-2 (QTY 4)
0092	M0232001	SCREW-TC (QTY 3)
0112	10839706	GASKET-URETHANE (QTY 4)
0122	11188701	HOLDER-LED

Expanded Model and Color Nomenclature

M1 - 9QZ22RC	P1209801R
M2 - 10QZ22RC	P1209802R
M3 - 12QZ22RC	P1209803R
M4 - 9QZ22RC1	P1209804R
M5 - 10QZ22RC1	P1209805R
M6 - 12QZ22RC1	P1209806R

Compressor/Tubing

M2, M3, M5, M6



M1 & M4

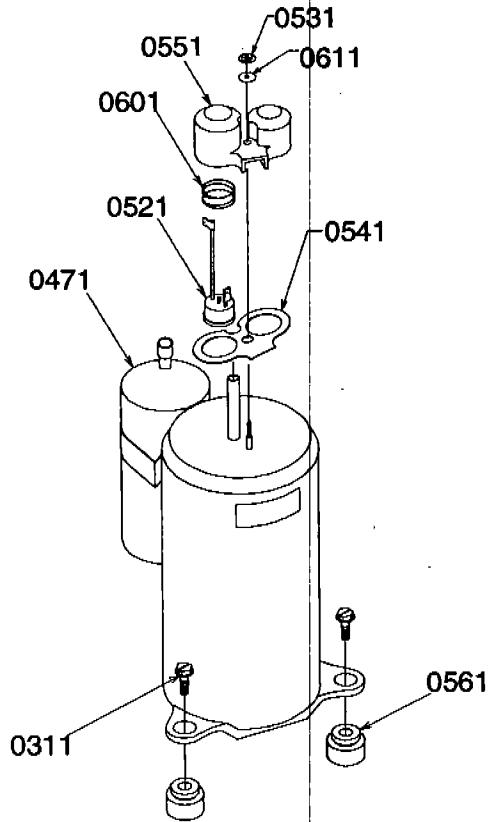


Image 1

Image 2

M1 & M4

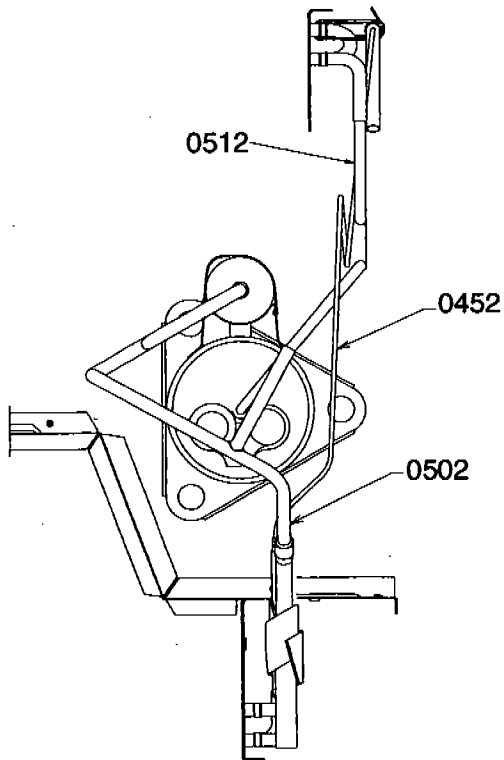
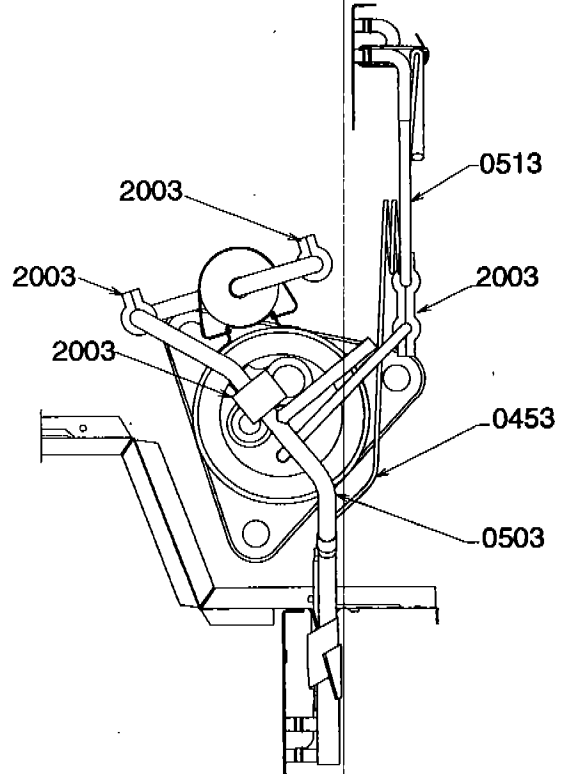


Image 3

M2, M3, M5, M6



Compressor/Tubing

Ref. Part No:	Part No:	Description:	Ref. Part No:	Part No:	Description:
---------------	----------	--------------	---------------	----------	--------------

Image 1

0311	M0253610	SCREW-SHLDR (QTY 3)
0471	D9831808	COMP-TC RKA5510EXA (M2, M5)
0471	D9831803	COMP-TC RKA5512EXA (M3, M6)
0471	10812701	COMP-PN 2R13S3R126A (M1, M4)
0521	D6961655	OVERLOAD (M2, M5)
0521	D4976682	OVERLOAD (M1, M4)
0521	D6961631	OVERLOAD (M3, M6)
0531	A9036601	NUT-TERM COVER (M2, M3, M5, M6)
0531	A3436601	NUT-TERM COVER (M1, M4)
0541	B1434901	GASKET-TERM COVER (M2, M3, M5, M6)
0541	A3436701	GASKET-TERM COVER (M1, M4)
0551	C6470701	COVER-TERM (M2, M3, M5, M6)
0551	10329001	COVER-TERM (M1, M4)
0561	A3448601	GROMMET (QTY 3)
0601	A3436901	SPRING-OVERLOAD (M1, M4)
0611	A3436801	GASKET-NUT (M1, M4)

Image 2

0452	11153401	TUBE-CAPILLARY (M1, M4)
0502	11153001	SUCTION TUBE WELD (M1, M4)
0512	11152701	TUBE-DISCHARGE (M1, M4)

Image 3

0453	11153402	TUBE-CAPILLARY (M2, M5)
0453	11153403	TUBE-CAPILLARY (M3, M6)
0503	11154701	SUCTION TUBE WELD (M2, M3)
0503	11154701	SUCTION TUBE WELD (M5, M6)
0513	11153101	TUBE-DISCHARGE (M2, M3, M5, M6)
2003	11154801	SEALER-RUBBER BASED (M2, M3, M5, M6) (QTY AR)

Expanded Model and Color Nomenclature

M1 - 9QZ22RC	P1209801R
M2 - 10QZ22RC	P1209802R
M3 - 12QZ22RC	P1209803R
M4 - 9QZ22RC1	P1209804R
M5 - 10QZ22RC1	P1209805R
M6 - 12QZ22RC1	P1209806R

Front/Outer Case

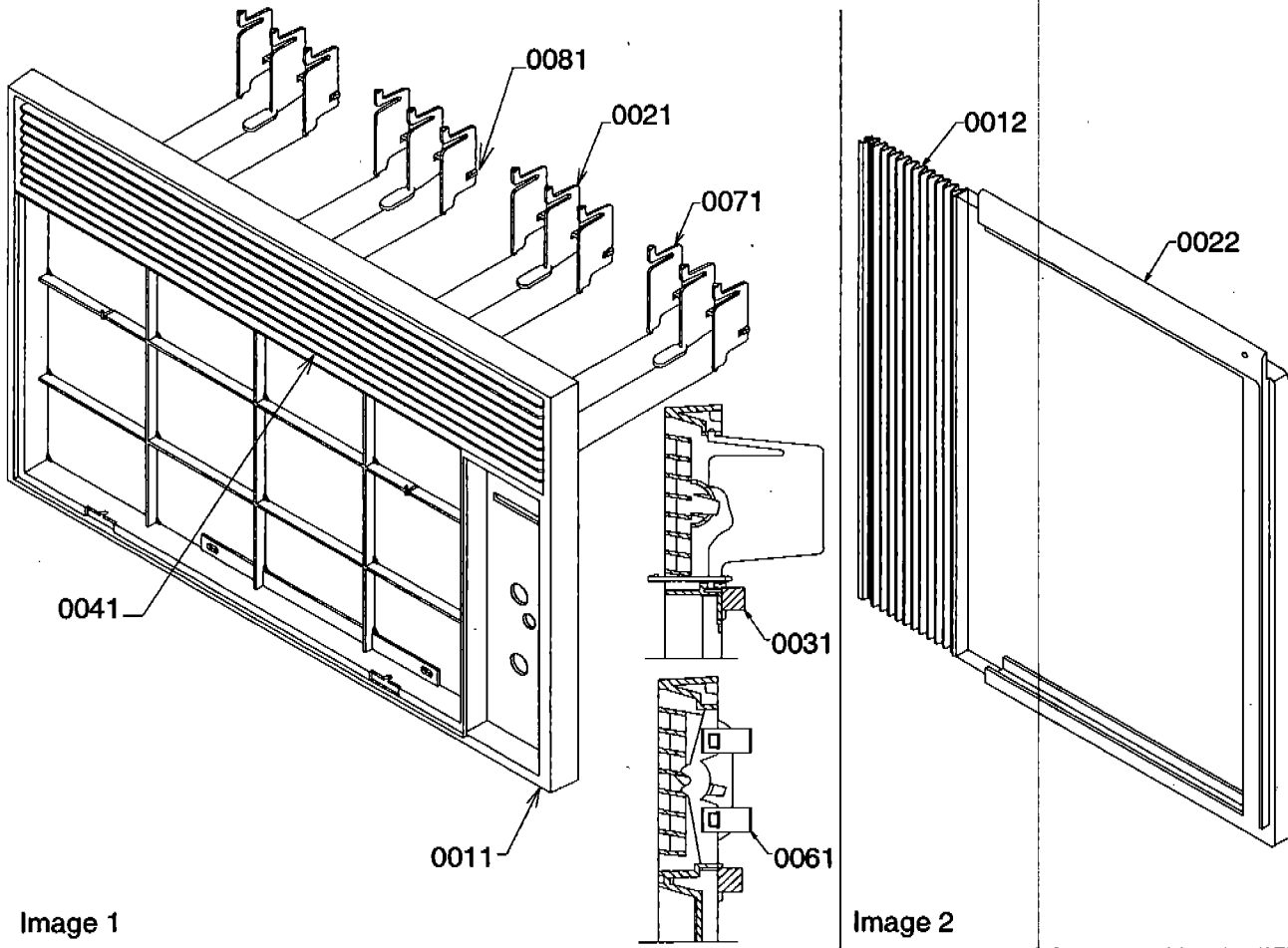
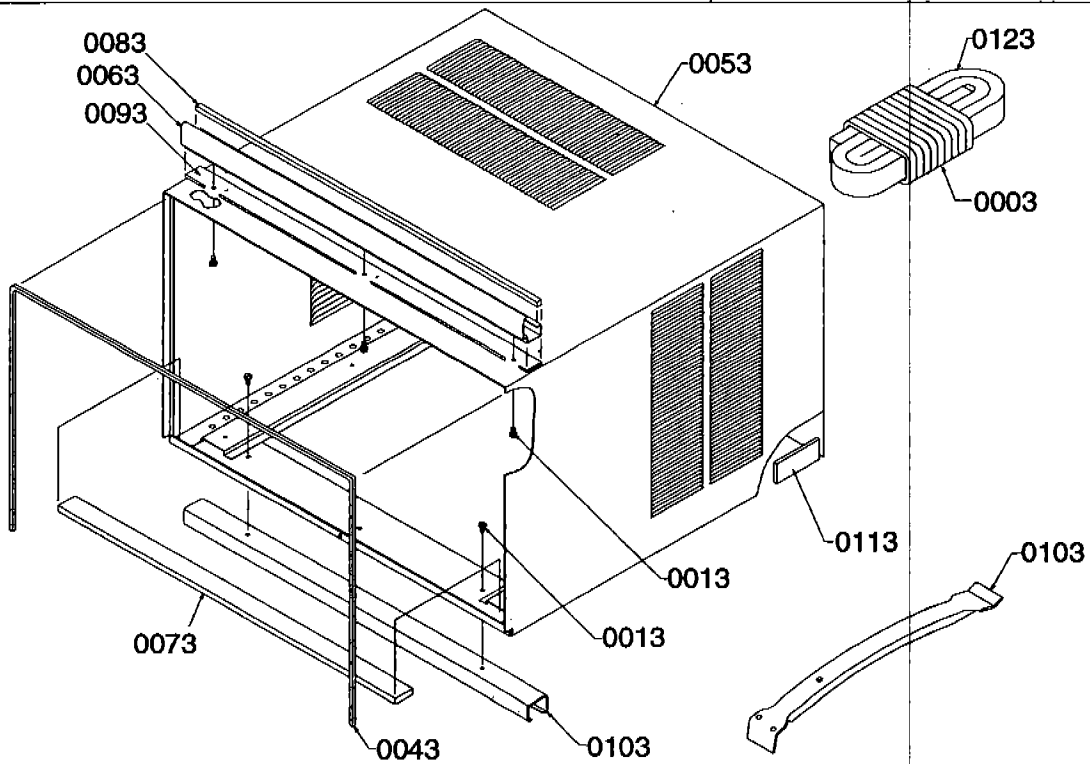


Image 1

Image 2

Image 3



Front/Outer Case

Ref. Part No:	Part No:	Description:	Ref. Part No:	Part No:	Description:
---------------	----------	--------------	---------------	----------	--------------

Image 1

0011	D9969906	FRAME-FRONT
0021	10558401	BAFFLE-AIR (QTY 4)
0031	10839706	GASKET-URETHANE (QTY AR)
0041	D6972104	BOX-LOUVER
0061	B1404802	CLIP-LOUVER BOX (QTY 2)
0071	10558501	BAFFLE-AIR (QTY 8)
0081	10558301	CONNECTOR-BAFFLE (QTY 4)

Image 2

0012	11118405	CURTAIN
0022	10382605V	FRAME-SLIDING LEFT
0022	10382606V	FRAME-SLIDING RIGHT

Image 3

0003	10839720	GASKET-URETHANE (QTY AR)
0013	M0219916	SCREW-SM (QTY 5)
0043	10839713	GASKET-URETHANE (QTY AR)
0053	11151302	OC WELD
0063	C5903425	TOP RAIL
0073	10839703	GASKET-URETHANE (QTY AR)
0083	10839711	GASKET-URETHANE (QTY AR)
0093	10839704	GASKET-URETHANE (QTY AR)
0103	11075305	SAFETY SUPPORT (QTY 2)
0103	B1124714	BOTTOM RAIL
0113	10839807	GASKET-CROSS LINK (QTY AR)
0123	10839702	GASKET-URETHANE

Expanded Model and Color Nomenclature

M1 - 9QZ22RC	P1209801R
M2 - 10QZ22RC	P1209802R
M3 - 12QZ22RC	P1209803R
M4 - 9QZ22RC1	P1209804R
M5 - 10QZ22RC1	P1209805R
M6 - 12QZ22RC1	P1209806R