

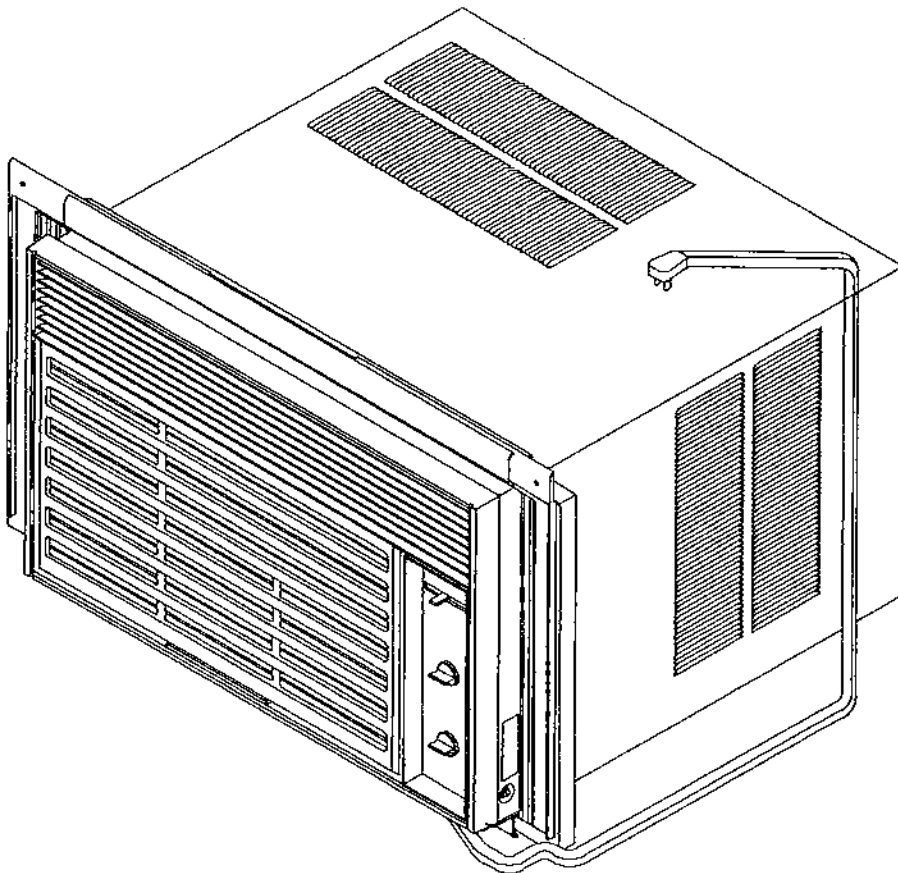
Models and manufacturing
numbers in this manual

5QZ21RC	P1209701R
5QZ21RC1	P1209703R
7QZ21RC	P1209702R
7QZ21RC1	P1209704R

Parts

Quiet Zone Room Air Conditioners

Parts Manual for
Amana®



This manual is to be used by qualified appliance technicians only. Amana Refrigeration Inc. does not assume any responsibility for property damage or personal injury for improper service procedures done by an unqualified person.

Amana
A Raytheon Company

RP4100003
Revision 0
August 1996

Important Information

Pride and workmanship go into every product to provide our customers with quality products. It is possible, however, that during its lifetime a product may require service. Products should be serviced only by a qualified service technician who is familiar with the safety procedures required in the repair and who is equipped with the proper tools, parts, testing instruments and the appropriate service manual.

REVIEW ALL SERVICE INFORMATION IN THE APPROPRIATE SERVICE MANUAL BEFORE BEGINNING REPAIRS.

Important Notices



IF REPAIRS ARE ATTEMPTED BY UNQUALIFIED PERSONS, DANGEROUS CONDITIONS (SUCH AS EXPOSURE TO ELECTRICAL SHOCK) MAY RESULT. THIS MAY CAUSE SERIOUS INJURY OR DEATH.



AMANA WILL NOT BE RESPONSIBLE FOR ANY INJURY OR PROPERTY DAMAGE ARISING FROM IMPROPER SERVICE OR SERVICE PROCEDURES. IF YOU PERFORM SERVICE ON YOUR OWN PRODUCT, YOU ASSUME RESPONSIBILITY FOR ANY PERSONAL INJURY OR PROPERTY DAMAGE WHICH MAY RESULT.

To locate an authorized servicer, please consult your telephone book or the dealer from whom you purchased this product. For further assistance, please contact:

CONSUMER AFFAIRS DEPT.
AMANA REFRIGERATION, INC.
AMANA, IOWA 52204

OR
CALL

1-319-622-5511
and ask for
Consumer Affairs

If outside the United States contact:

AMANA REFRIGERATION, INC.
ATTN: INTERNATIONAL DIVISION
AMANA, IOWA 52204, USA
Telephone: (319) 622-5511
Facsimile: (319) 622-2180

RECOGNIZE SAFETY SYMBOLS, WORDS AND LABELS



DANGER - Immediate hazards which **WILL** result in severe personal injury or death.



WARNING - Hazards or unsafe practices which **COULD** result in severe personal injury or death.



CAUTION - Hazards or unsafe practices which **COULD** result in minor personal injury or product or property damage.

Index

Functional Parts List	5
Illustration and Parts	6 - 15

Views shown are for parts illustrations only, not servicing procedures.

Text Codes:

AR - As Required

0000 - Not Shown

QTY - Quantity Example (QTY 3) (If Quantity not shown, Quantity = 1)

M - Model Example (M1) (If M Code not shown, then part is used on all Models)

Expanded Model and Color Nomenclature:

Example	
M1 - Model#1	P _____
M2 - Model#2	P _____
M3 - Model#3	P _____

Functional Parts

Part

No: Description:

D6789048	CAPACITOR-POLY (M1, M3)
D6789049	CAPACITOR-POLY (M2, M4)
D6887706	COMP-PN 2R10S3R126A (M2, M4)
D6887708	COMP-PN 2R7B3R126D (M1, M3)
10193303	CONDENSER ASSY (M1, M3)
D9864803	CONDENSER ASSY (M2, M4)
11150501	CONTROL-ELECTRONIC
B4113216	CORD-POWER
11154002	EVAPORATOR ASSY
11153801	MOTOR-FAN
D6961625	OVERLOAD (M2, M4)
D6961612	OVERLOAD (M1, M3)

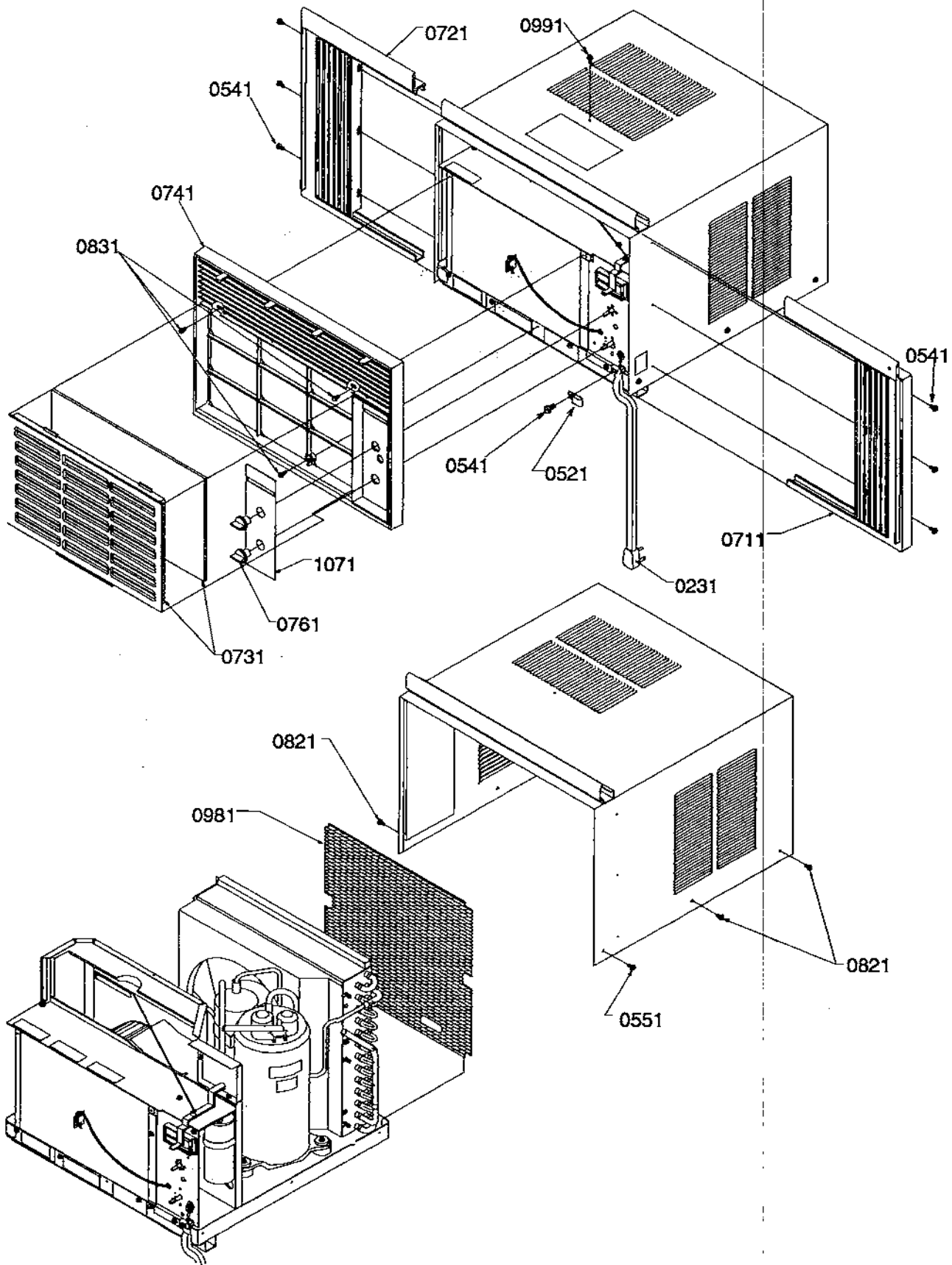
SPECIAL PARTS

A3445901	FILTER-AIR
A3456004	INSTRUCT-INSTALL
A9037708	MANUAL-OWNERS
RP4100003	MANUAL-PARTS
M0321202	TIE-ELEC (QTY AR)

Expanded Model and Color Nomenclature

M1 - 5QZ21RC	P1209701R
M2 - 7QZ21RC	P1209702R
M3 - 5QZ21RC1	P1209703R
M4 - 7QZ21RC1	P1209704R

Cabinet



Cabinet

Ref. Part
No: No:

Description:

Ref. Part
No: No:

Description:

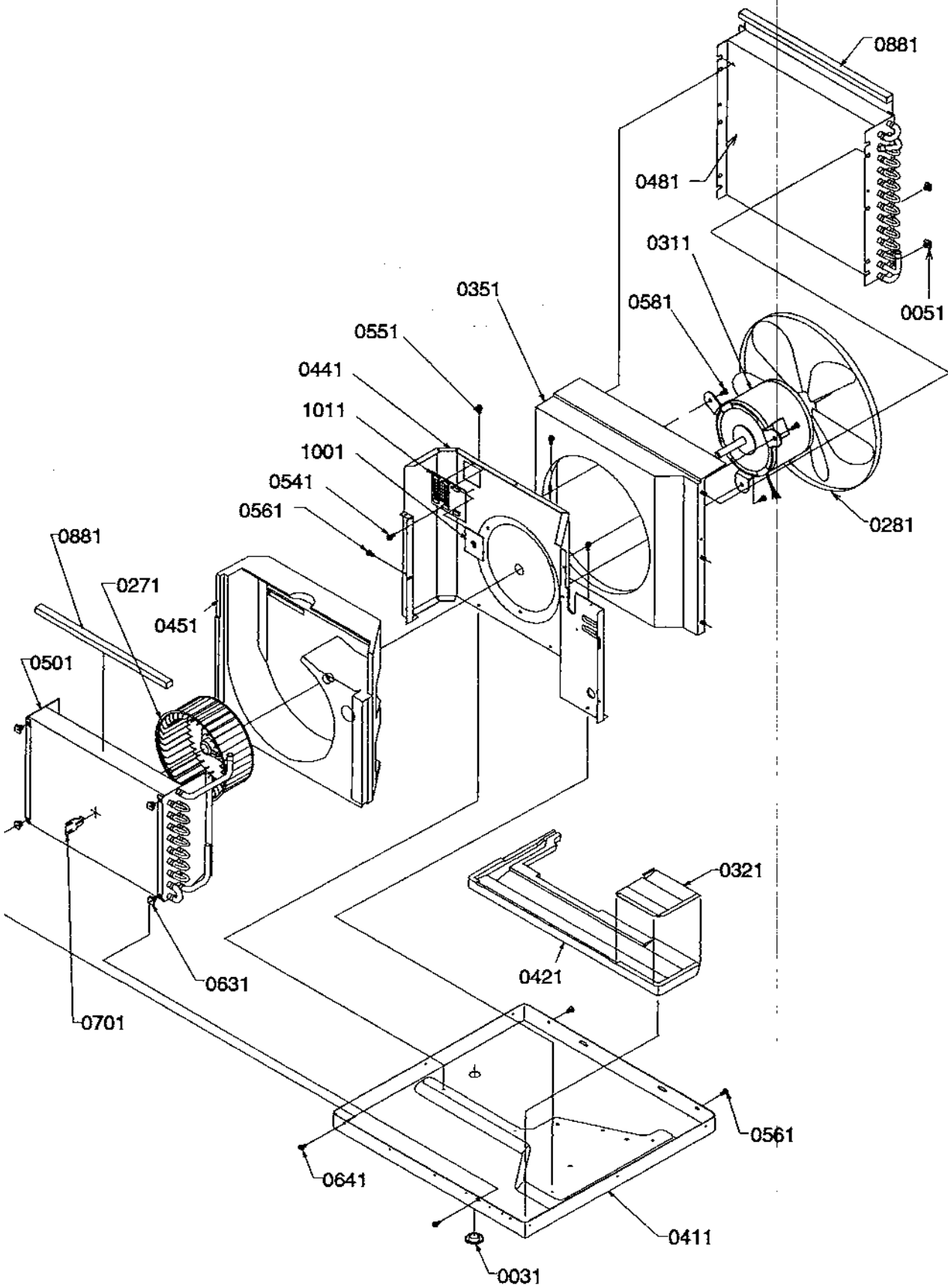
Image 1

0231	B4113216	CORD-POWER
0521	M0103902	CLAMP-SPEED
0541	M0216529	SCREW-SM (QTY AR)
0551	M0216716	SCREW-SM (QTY AR)
0711	10659808	R FRAME ASSY
0721	10659807	L FRAME ASSY
0731	10520011	INSERT/FILTER
0741	10569808	FRONT FRAME ASSY
0761	10013410	KNOB-ROTARY (QTY 2)
0821	M0211016	SCREW-SM (QTY AR)
0831	M0241118	SCREW-SM (QTY AR)
0981	11007503	GRILLE-COND
0991	M0220757	SCREW-SHLDR
1071	C6383606	ESCUTCHEON

Expanded Model and Color Nomenclature

M1 - 5QZ21RC	P1209701R
M2 - 7QZ21RC	P1209702R
M3 - 5QZ21RC1	P1209703R
M4 - 7QZ21RC1	P1209704R

Chassis



Chassis

Ref. Part No:	Part No:	Description:	Ref. Part No:	Part No:	Description:
---------------	----------	--------------	---------------	----------	--------------

Image 1

0031	A3080003	PLUG-BUTTON
0051	A3315701	GROMMET (QTY 4)
0271	10558601	WHEEL-BLOWER
0281	C6379801	BLADE-PLASTIC FAN
0311	11153801	MOTOR-FAN
0321	C6383501	SHIELD-FILLER BLK
0351	D6948902	SHROUD-CONDENSER
0411	D9998111	BASEPAN
0421	D6947901	BLOCK-FILLER
0441	D6950507	PANEL-PARTITION
0451	11023101	SCROLL
0481	D9864803	CONDENSER ASSY (M2, M4)
0481	10193303	CONDENSER ASSY (M1, M3)
0501	11154002	EVAPORATOR ASSY
0541	M0216529	SCREW-SM (QTY AR)
0551	M0216716	SCREW-SM (QTY AR)
0561	M0219916	SCREW-SM (QTY AR)
0581	M0224956	SCREW-TAP R (QTY 3)
0631	M0586001	GROMMET-SCREW (QTY 4)
0641	M0211017	SCREW-SM (QTY AR)
0701	11196701	CLIP-T*STAT SENSOR
0881	10839803	GASKET-CROSS LINK (QTY AR)
1001	11016101	DOOR-VENT
1011	11016202	BASE-VENT

Expanded Model and Color Nomenclature

M1 - 5QZ21RC	P1209701R
M2 - 7QZ21RC	P1209702R
M3 - 5QZ21RC1	P1209703R
M4 - 7QZ21RC1	P1209704R

Controls

Ref. Part No:	Part No:	Description:	Ref. Part No:	Part No:	Description:
---------------	----------	--------------	---------------	----------	--------------

Image 1

0181	B1394401	STRAINER
0211	C6300502	STRAP-CAPACITOR
0291	C6380303	BOTTOM RAIL
0301	C6381407	BARRIER-CONTROL
0391	D6789049	CAPACITOR-POLY (M2, M4)
0391	D6789048	CAPACITOR-POLY (M1, M3)
0461	D6950802A	PANEL-INLET
0551	M0216716	SCREW-SM (QTY AR)
0561	M0219916	SCREW-SM (QTY AR)
0571	M0245116	SCREW-SM (QTY AR)
0821	M0211016	SCREW-SM (QTY AR)
1081	10671204	INSUL-VENT BRKT
9961	B1439302	ELBOW
9971	D9818905	ELBOW
9981	B1439201	ELBOW
9991	11152901	ELBOW

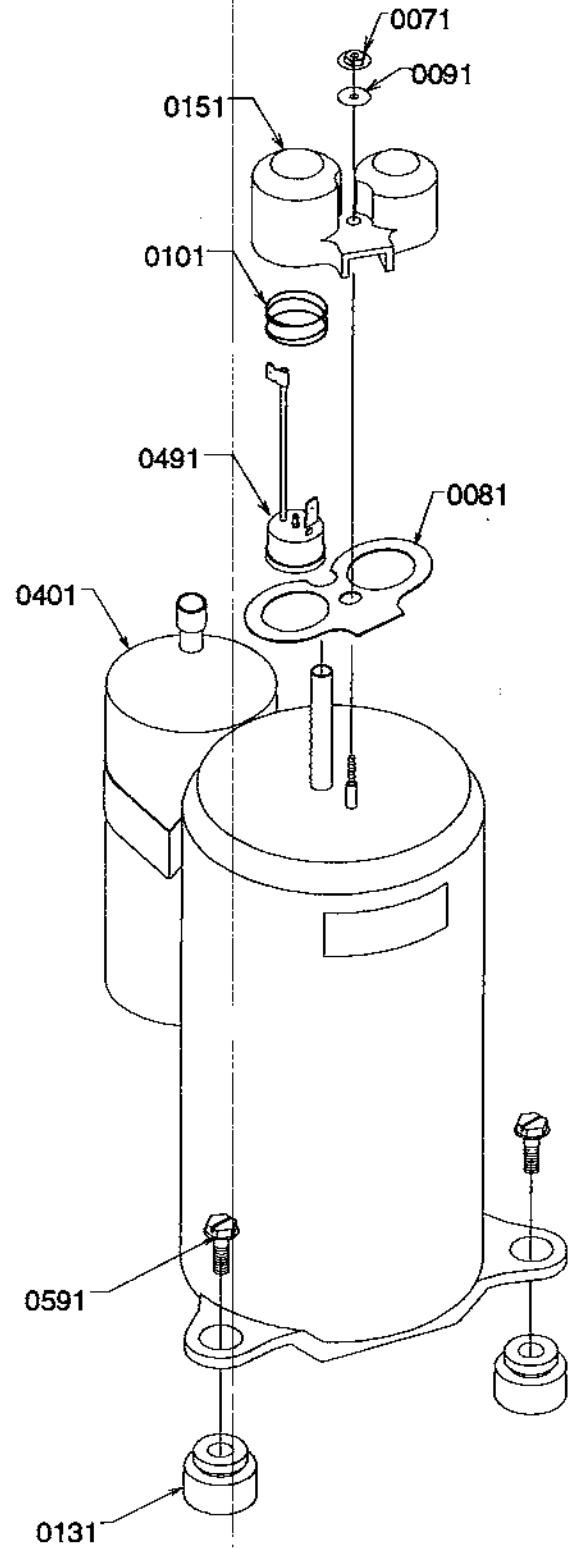
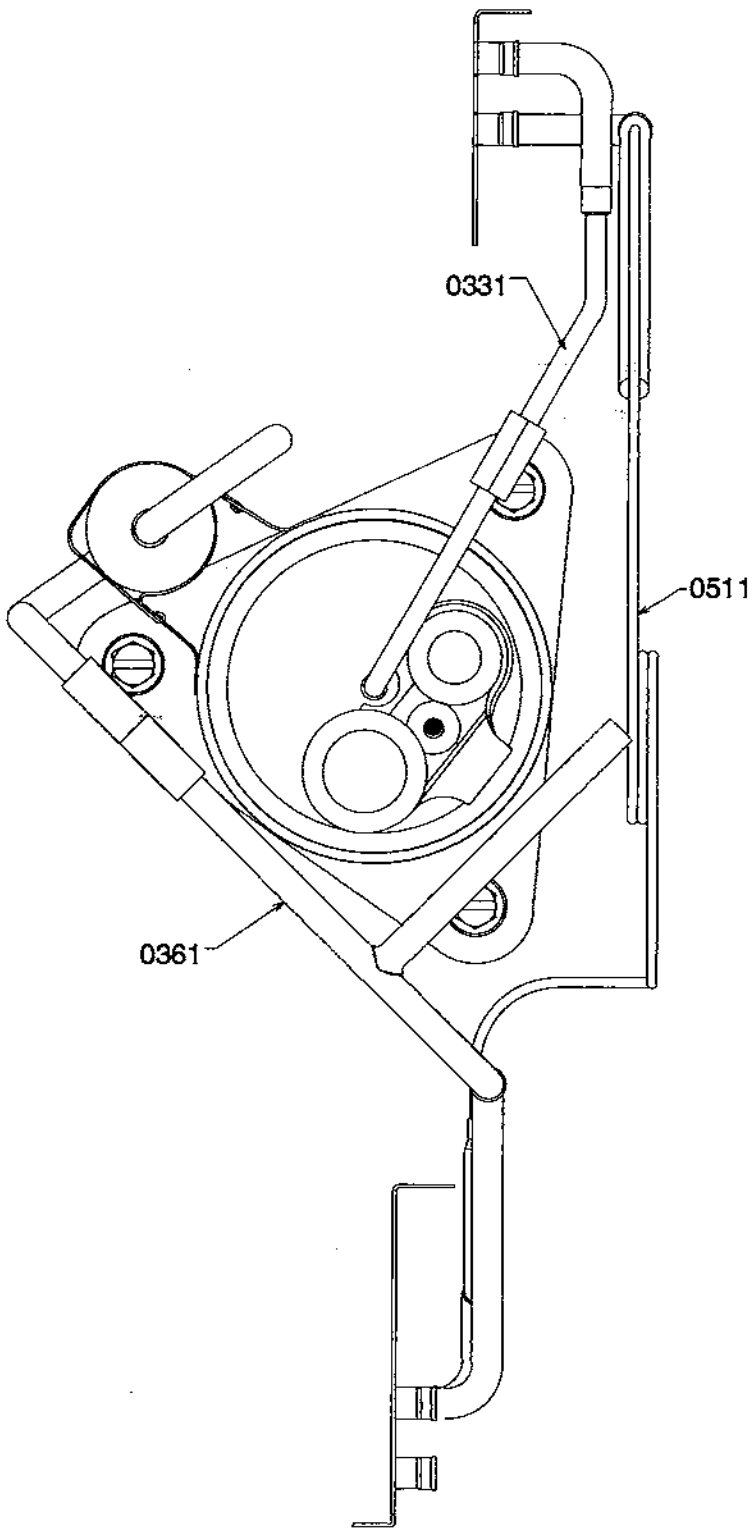
Image 2

0012	C6382902	SLIDE-VENT DOOR
0022	C6362304	CONT-VENT DOOR
0032	11150501	CONTROL-ELECTRONIC
0042	11152102	PANEL-CONTROL
0062	A3492802	POINTER
0082	M0226601	SCREW-PLASTITE 48-2 (QTY 4)
0092	M0232001	SCREW-TC (QTY 3)
0112	10839706	GASKET-URETHANE (QTY 4)
0122	11188701	HOLDER-LED

Expanded Model and Color Nomenclature

M1 - 5QZ21RC	P1209701R
M2 - 7QZ21RC	P1209702R
M3 - 5QZ21RC1	P1209703R
M4 - 7QZ21RC1	P1209704R

Compressor/Tubing



Compressor/Tubing

Ref. Part No:	Part No:	Description:	Ref. Part No:	Part No:	Description:
---------------	----------	--------------	---------------	----------	--------------

Image 1

0071	A3436601	NUT-TERM COVER
0081	A3436701	GASKET-TERM COVER
0091	A3436801	GASKET-NUT
0101	A3436901	SPRING-OVERLOAD
0131	A4622801	GROMMET (QTY 3)
0151	10329001	COVER-TERM
0331	C6483201	TUBE-DISCH
0361	C6483301	SUCTION TUBE WELD
0401	D6887708	COMP-PN 2R7B3R126D (M1, M3)
0401	D6887706	COMP-PN 2R10S3R126A (M2, M4)
0491	D6961625	OVERLOAD (M2, M4)
0491	D6961612	OVERLOAD (M1, M3)
0511	11185201	CAPILLARY WELD (INCLUDES CAPILLARY TUBE AND ELBOW) (M3)
0511	11185202	CAPILLARY WELD (INCLUDES CAPILLARY TUBE AND ELBOW) (M4)
0511	11185202	CAPILLARY WELD (INCLUDES CAPILLARY TUBE AND ELBOW) (M2)
0511	11185201	CAPILLARY WELD (INCLUDES CAPILLARY TUBE AND ELBOW) (M1)
0591	M0253661	SCREW-SHLDR (QTY 3)

Expanded Model and Color Nomenclature

M1 - 5QZ21RC	P1209701R
M2 - 7QZ21RC	P1209702R
M3 - 5QZ21RC1	P1209703R
M4 - 7QZ21RC1	P1209704R

Front/Outer Case

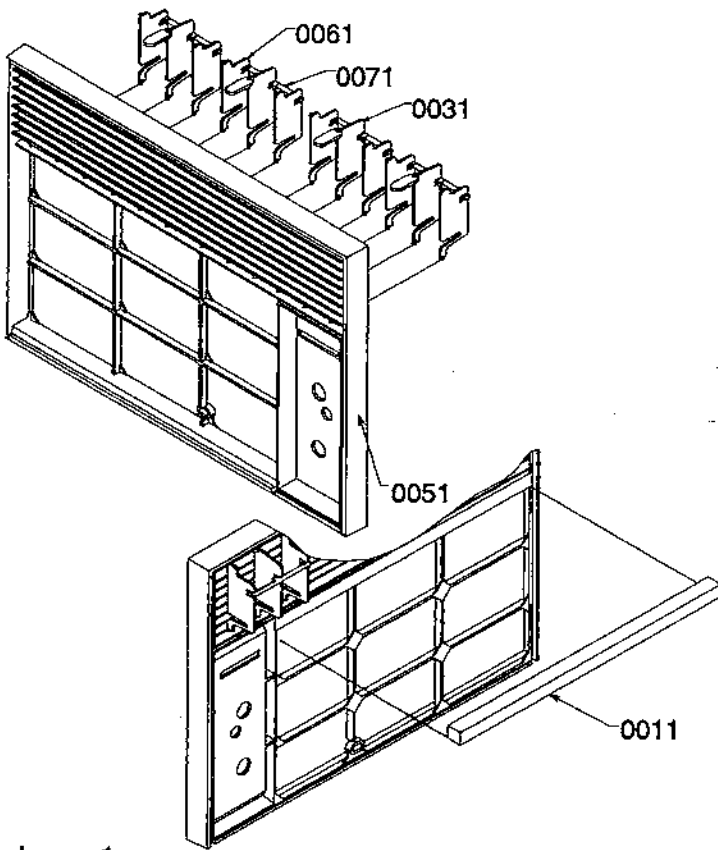


Image 1

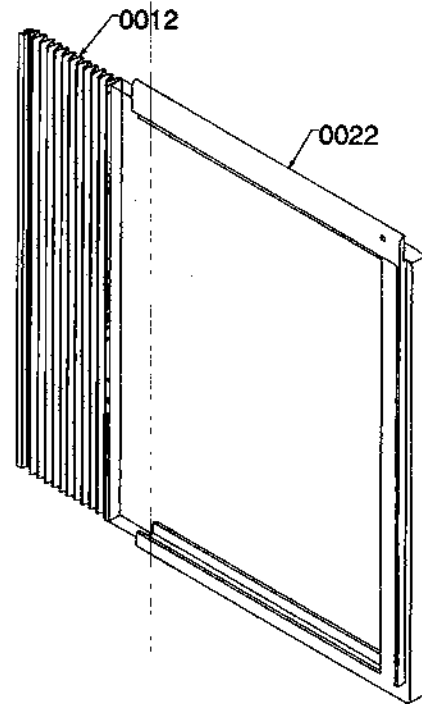
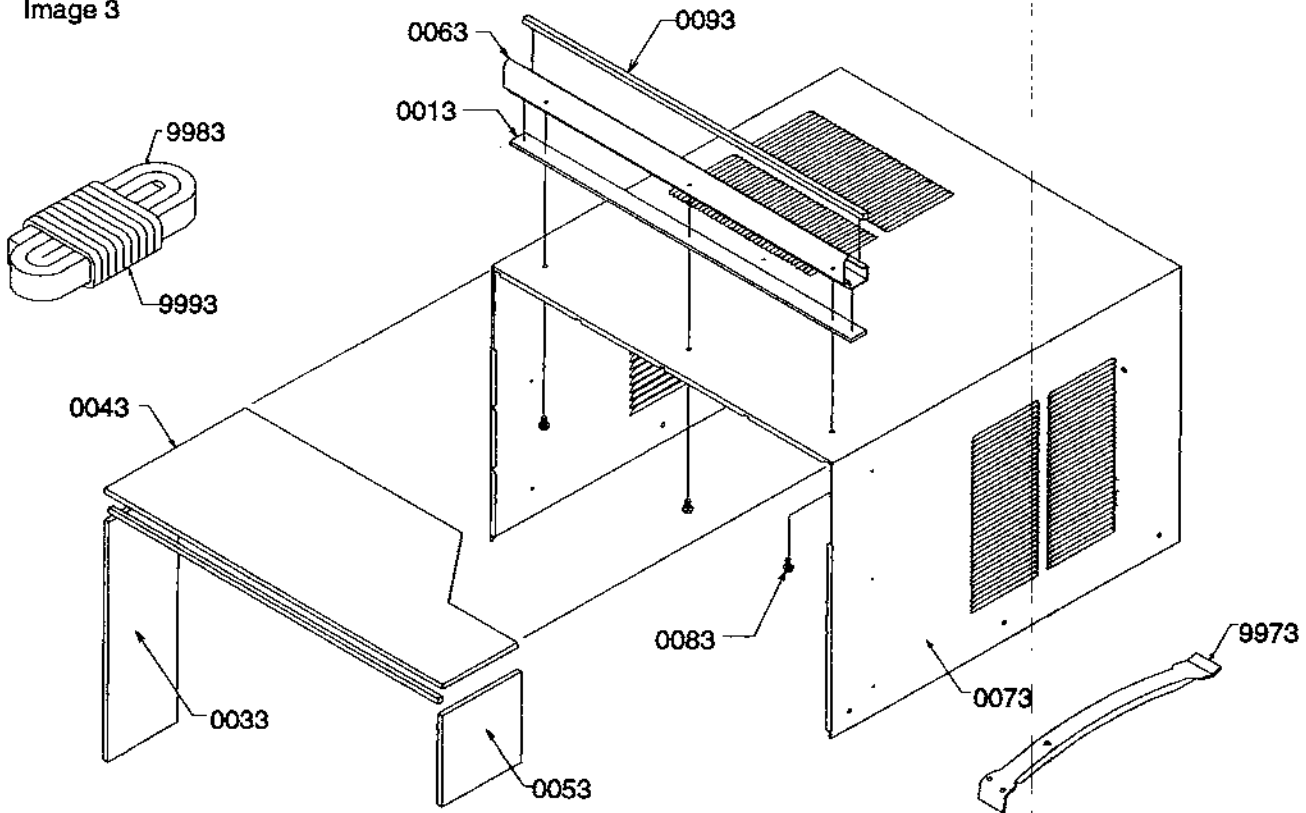


Image 2

Image 3



Front/Outer Case

Ref. Part No:	Part No:	Description:	Ref. Part No:	Part No:	Description:
---------------	----------	--------------	---------------	----------	--------------

Image 1

0011	10839706	GASKET-URETHANE (QTY 15)
0031	10558401	BAFFLE-AIR (QTY 4)
0051	10558204	FRAME-FRONT
0081	10558501	BAFFLE-AIR (QTY 8)
0071	10558301	CONNECTOR-BAFFLE (QTY 4)

Image 2

0012	11118404	CURTAIN
0022	10382608V	FRAME-SLIDING R
0022	10382607V	FRAME-SLIDING L

Image 3

0013	10839704	GASKET-URETHANE (QTY 19)
0033	10671504	INSUL-SIDE
0043	10698801	INSUL-TOP
0053	10671505	INSUL-SIDE
0063	C5903423	TOP RAIL
0073	11150905	OUTERCASE
0083	M0219916	SCREW-SM (QTY AR)
0093	10839711	GASKET-URETHANE (QTY 19)
9973	11075306	SAFETY SUPPORT
9983	10839702	GASKET-URETHANE
9993	10839720	GASKET-URETHANE (QTY AR)

Expanded Model and Color Nomenclature

M1 - 5QZ21RC	P1209701R
M2 - 7QZ21RC	P1209702R
M3 - 5QZ21RC1	P1209703R
M4 - 7QZ21RC1	P1209704R