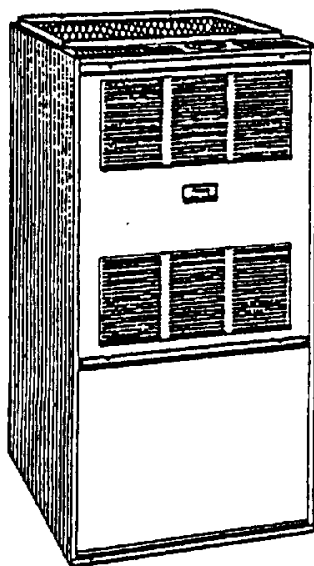


Parts

GUC Gas Furnace



This manual is to be used by qualified appliance technicians only. Amana does not assume any responsibility for property damage or personal injury for improper service procedures done by an unqualified person.

Amana

RP6610005
Revision 0
January 1996

Important Information

Amana is not responsible for personal injury or property damage resulting from improper service. Review all service information before beginning repairs.

Warranty service must be performed by an authorized technician, using authorized factory parts. If service is required after the warranty expires, Amana also recommends contacting an authorized technician and using authorized factory parts. Locate an authorized technician by calling 800-NATLSVC (800-628-5782).

For assistance within the U.S.A. contact:

Consumer Affairs Department
Amana
2800 220th Trail
Amana IA 52204-0001
319-622-5511--Telephone
319-622-2977--Facsimile

For assistance outside the U.S.A. contact:

International Division
Amana
2800 220th Trail
Amana IA 52204-0001
USA
319-622-5511--Telephone
319-622-8595--Facsimile

Index

Functional Parts List	4 - 5
Illustration and Parts	6 - 15

Views shown are for parts illustrations only, not servicing procedures.

Text Codes:

AR - As Required

NA - Not Available

NS - Not Shown

00000000 - See Note

QTY - Quantity Example (QTY 3) (If Quantity not shown, Quantity = 1)

M - Model Example (M1) (If M Code not shown, then part is used on all Models)

Expanded Model and Color Nomenclature:

Example	
M1 - Model#1	P _____
M2 - Model#2	P _____
M3 - Model#3	P _____

Functional Parts

Part

No: Description:

D9868608	BLOWER-INDUCED DRAFT (M1, M2, M3)
D9868607	BLOWER-INDUCED DRAFT (M4, M5, M6, M7)
10099902	CAPACITOR (M4, M7)
10099901	CAPACITOR (M1, M2)
D6879739	CAPACITOR (M5, M6)
D6859325	CAPACITOR (M3)
A3375801	CAPACITOR-BOOT
10735201	FLAME-SENSOR
10735002	IGNITOR (M1, M2, M3, M4, M5, M6)
11149401	IGNITOR-ROUND (M7)
10250803	LIMIT (M1, M2)
10250808	LIMIT (M5)
10250807	LIMIT (M3, M4, M7)
10250815	LIMIT (M6)
10123503	LIMIT-RESET MANUAL
10452803	MANIFOLD (M4, M5, M7)
10452802	MANIFOLD (M2, M3)
10452804	MANIFOLD (M6)
10452801	MANIFOLD (M1)
10220001	MOTOR-BLOWER (M1)
10219701	MOTOR-BLOWER (M5, M6)
10219902	MOTOR-BLOWER (M4, M7)
10219601	MOTOR-BLOWER (M3)
10219801	MOTOR-BLOWER (M2)
10716003	ORIFICE (QTY AR)
B9276201	SWITCH-INTERLOCK
11111901	SWITCH-PRESSURE
C6349701	TRANSFORMER
C6476904	VALVE-GAS (M1, M2, M3, M4, M5, M6)
11149701	VALVE-GAS (M7)
D6723306	WHEEL-BLOWER (M3, M5, M6)
D6723302	WHEEL-BLOWER (M1, M2, M4, M7)

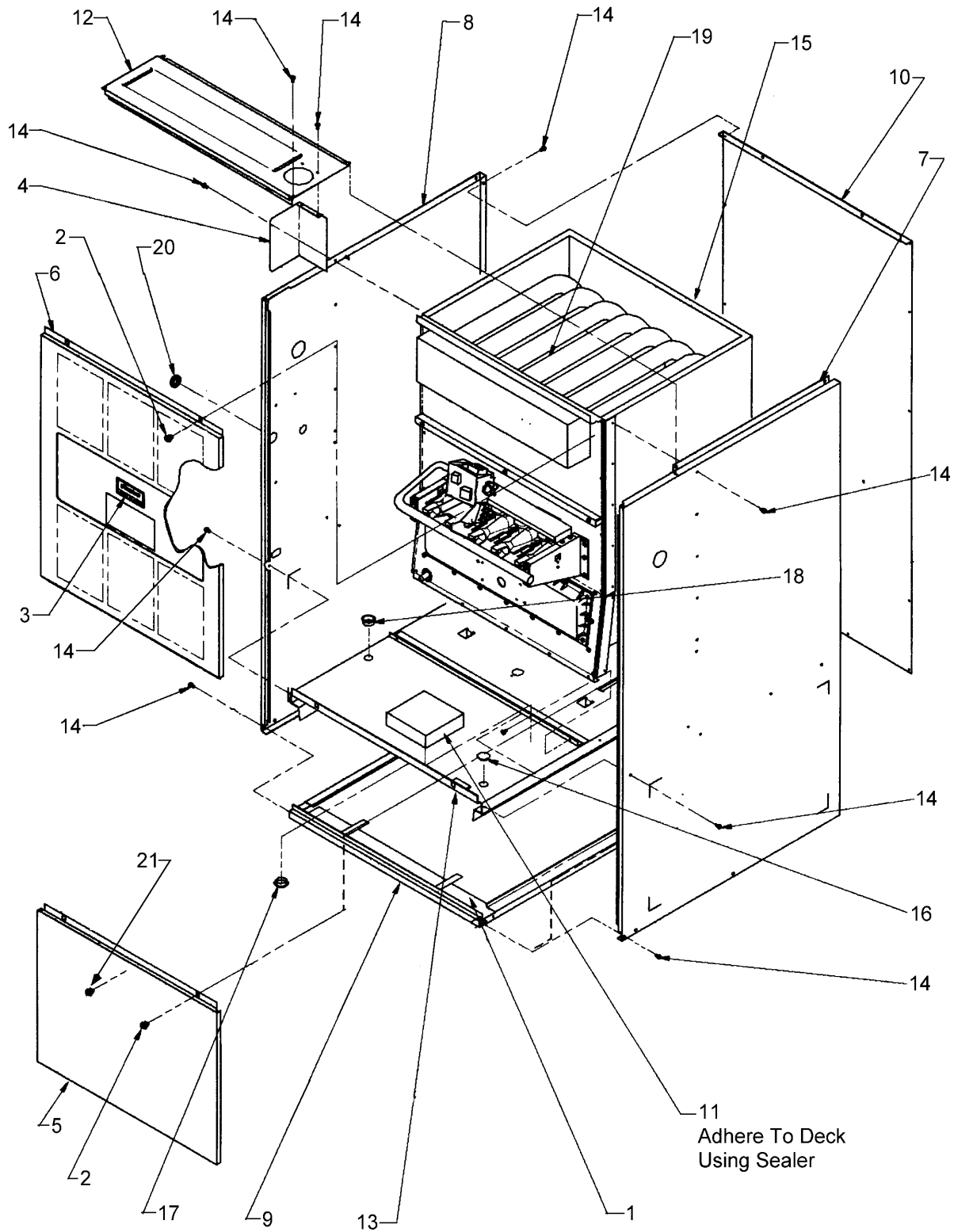
SPECIAL PARTS

10318710	INSTRUCTIONS-INSTALLATION (M1, M2, M3, M4, M5, M6)
10318711	INSTRUCTIONS-INSTALLATION (M7)
10772901	INSTRUCTIONS-INSTALLATION (M1, M2, M3, M4, M5, M6)
10772904	INSTRUCTIONS-INSTALLATION (M7)
10318811	MANUAL-USERS (M7)
10318810	MANUAL-USERS (M1, M2, M3, M4, M5, M6)
RP6610005	PARTS MANUAL

Expanded Model and Color Nomenclature

M1 - GUC045X30B	P1208701F
M2 - GUC070X30B	P1208702F
M3 - GUC070X40B	P1208703F
M4 - GUC090X35B	P1208704F
M5 - GUC090X50B	P1208705F
M6 - GUC115X50B	P1208706F
M7 - GUC090X35BI	P1209404F

Cabinet Assembly



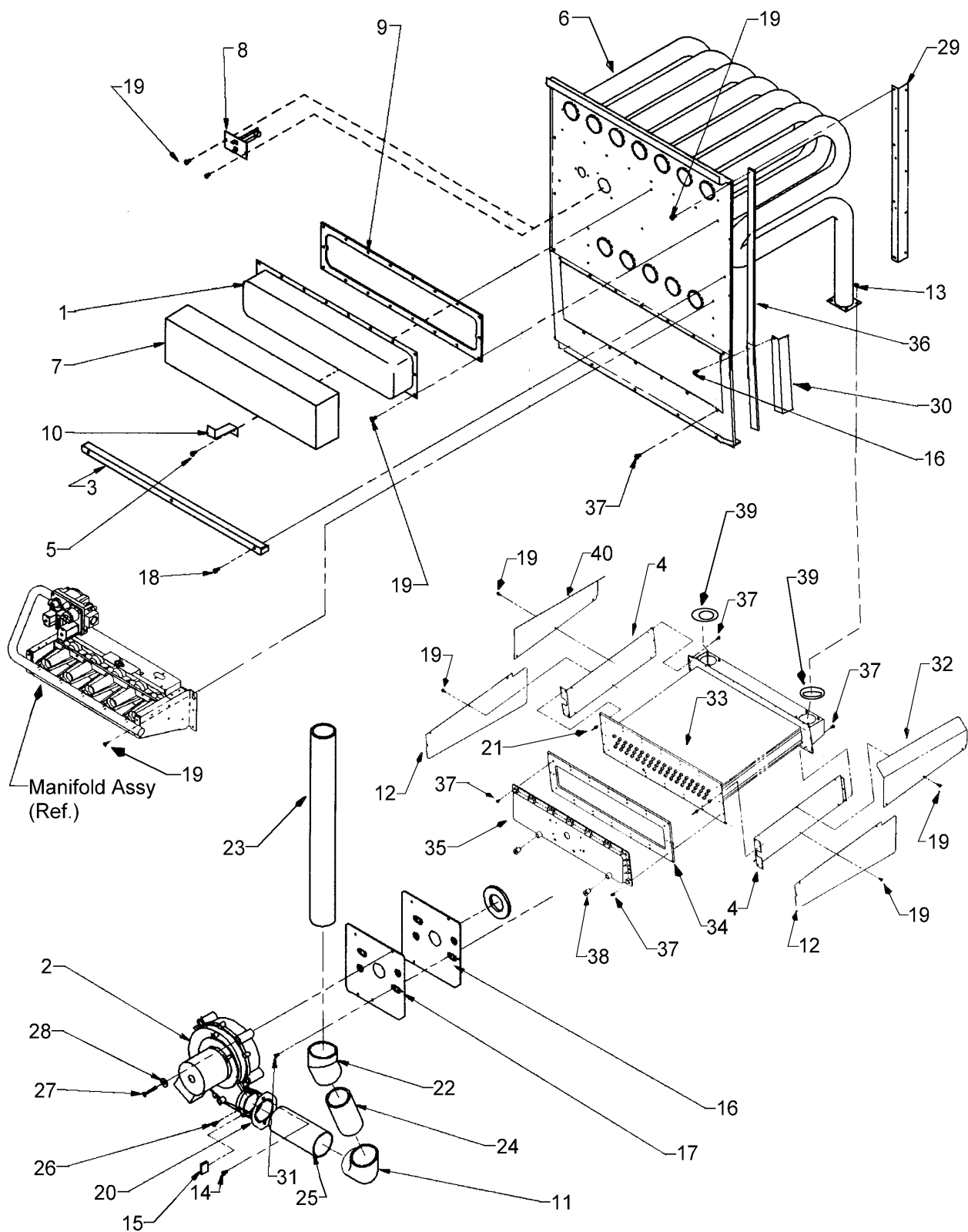
Cabinet Assembly

Ref Part No:	Description:	Ref. Part No:	Description:
<i>Image 1:</i>			
1	A9020401		RETAINER-FILTER (M1)
1	A9020402		RETAINER-FILTER (M2, M3)
1	A9020403		RETAINER-FILTER (M4, M5, M6, M7)
2	B1388803		LATCH-1/4 TURN (QTY 4)
3	10095401		NAMEPLATE-AMANA (QTY 1)
4	C6455101		SHIELD-HEAT
5	D6979614		BLOWER DOOR-PNT (M1)
5	D6979616		BLOWER DOOR-PNT (M2, M3)
5	D6979618		BLOWER DOOR-PNT (M4, M5, M6, M7)
6	D6988004		ACCESS DOOR-PNT (M1)
6	D6988009		ACCESS DOOR-PNT (M2, M3)
6	D6988010		ACCESS DOOR-PNT (M4, M5, M6, M7)
7	10452403		R SIDE PANEL-PNT
8	10452003		L SIDE PANEL-PNT
9	10568602		BASEPAN-PNT (M4, M5, M6, M7)
9	10568604		BASEPAN-PNT (M2, M3)
9	10568606		BASEPAN-PNT (M1)
10	D9965704		BACK PANEL-PNT (M4, M5, M6, M7)
10	D9965705		BACK PANEL-PNT (M2, M3)
10	D9965706		BACK PANEL-PNT (M1)
11	M0050227		BLOCK-FOAM
12	D9985404		TOP COVER-PNT (M1)
12	D9985405		TOP COVER-PNT (M2, M3)
12	D9985406		TOP COVER-PNT (M4, M5, M6, M7)
13	10204310		BLOWER DECK WELD (M1)
13	10204311		BLOWER DECK WELD (M2)
13	10204312		BLOWER DECK WELD (M3)
13	10204313		BLOWER DECK WELD (M4, M7)
13	10204314		BLOWER DECK WELD (M5, M6)
14	M0219916		SCREW-SM (QTY AR)
15	C6415904		INSULATION-HEAT EXCHANGER (M1)
15	C6415905		INSULATION-HEAT EXCHANGER (M2, M3)
15	C6415906		INSULATION-HEAT EXCHANGER (M4, M5, M6, M7)
16	M0310308		PLUG-WHITE BUTTON
17	A4568804		GROMMET-D
18	M0571001		BUSHING-SNAP
19	11090806		HEAT EXCHANGER ASSEMBLY (M1)
19	11090807		HEAT EXCHANGER ASSEMBLY (M2, M3)
19	11090808		HEAT EXCHANGER ASSEMBLY (M4, M5, M7)
19	11090810		HEAT EXCHANGER ASSEMBLY (M6)
20	A4603801		GROMMET
21	11104001		SNAP-BUSHING

Expanded Model and Color Nomenclature

M1 - GUC045X30B	P1208701F
M2 - GUC070X30B	P1208702F
M3 - GUC070X40B	P1208703F
M4 - GUC090X35B	P1208704F
M5 - GUC090X50B	P1208705F
M6 - GUC115X50B	P1208706F
M7 - GUC090X35BI	P1209404F

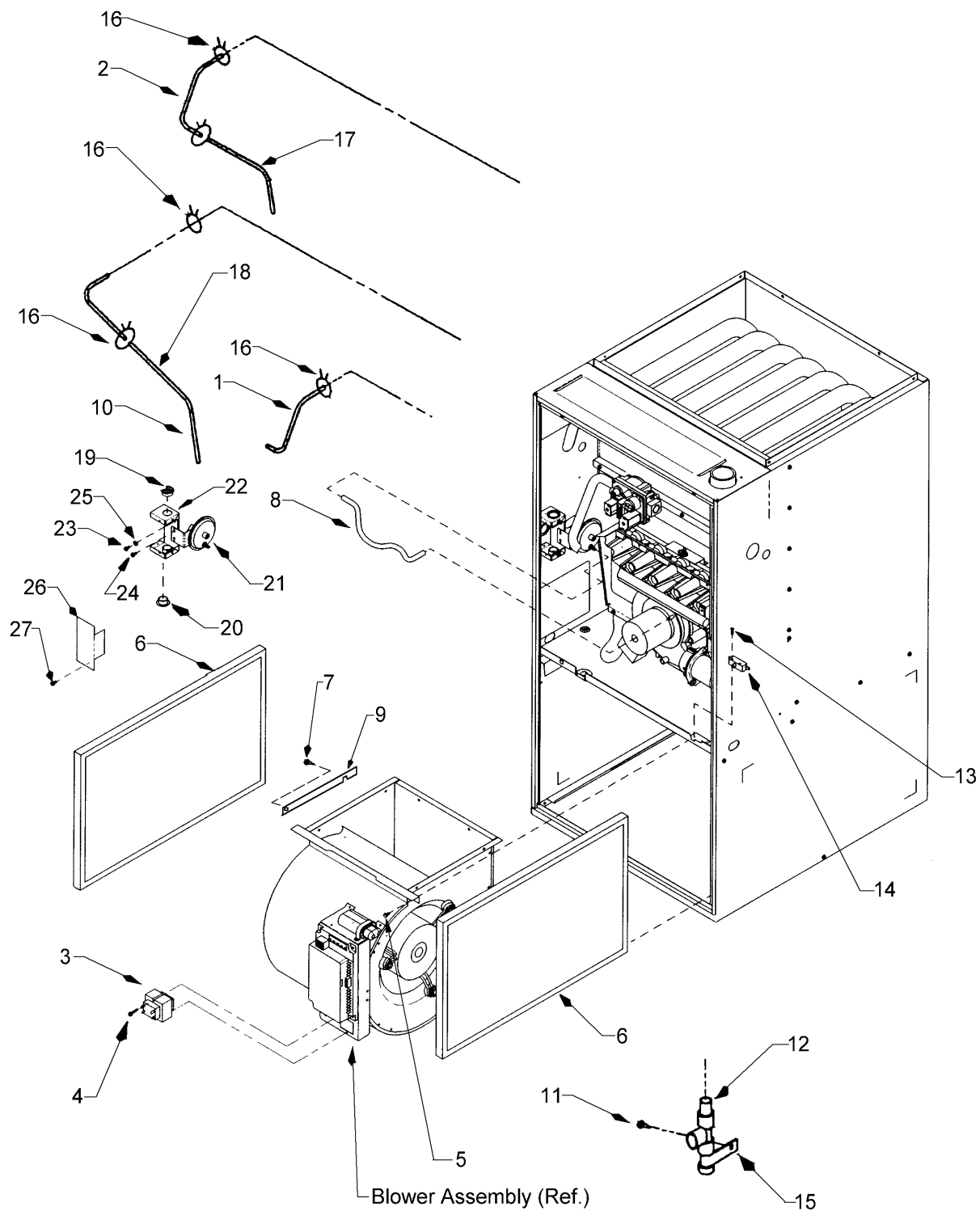
Heat Exchanger & Related Parts



Heat Exchanger & Related Parts

Ref Part No:	Description:	Ref. Part No:	Description:
<i>Image 1:</i>		35	10197204 COVER-FRONT RECUPERATOR (M4, M5, M7)
1	D9981001 BOX-COLLECTOR	35	10197205 COVER-FRONT RECUPERATOR (M6)
2	D9868607 BLOWER-INDUCED DRAFT (M4, M5, M6, M7)	36	11066201 GASKET-PARTITION PANEL (QTY 2)
2	D9868608 BLOWER-INDUCED DRAFT (M1, M2, M3)	37	M0211031 SCREW-SM (QTY AR)
3	C6457401 STIFFENER-PANEL (M1)	38	M0326804 PLUG-TUBE (QTY 2)
3	C6457402 STIFFENER-PANEL (M2, M3)	39	M0275404 SEALER (QTY AR)
3	C6457403 STIFFENER-PANEL (M4, M5, M6, M7)	40	10241503 EXTENSION-SHIELD
4	10220503 SHIELD-COIL (QTY 2)	Expanded Model and Color Nomenclature	
5	M0211016 SCREW-SM	M1 - GUC045X30B	P1208701F
6	10273405 PARTITION/TUBE ASSEMBLY (M1)	M2 - GUC070X30B	P1208702F
6	10273406 PARTITION/TUBE ASSEMBLY (M2, M3)	M3 - GUC070X40B	P1208703F
6	10273407 PARTITION/TUBE ASSEMBLY (M4, M5, M7)	M4 - GUC090X35B	P1208704F
6	10273408 PARTITION/TUBE ASSEMBLY (M6)	M5 - GUC090X50B	P1208705F
7	D9987601 INSULATION-COLLECTOR BOX (M1, M2, M3)	M6 - GUC115X50B	P1208706F
7	D9987602 INSULATION-COLLECTOR BOX (M4, M5, M6, M7)	M7 - GUC090X35BI	P1209404F
8	10250803 LIMIT (M1, M2)		
8	10250807 LIMIT (M3, M4, M7)		
8	10250808 LIMIT (M5)		
8	10250815 LIMIT (M6)		
9	D9983001 GASKET-COLLECT BOX (M1, M2, M3)		
9	D9983002 GASKET-COLLECT BOX (M4, M5, M6, M7)		
10	C6471201 BRACKET-INSULATION		
11	C6458203 ELBOW-CUTOFF (M1)		
11	10241601 ELBOW-PVC (M2, M3, M4, M5, M6, M7)		
12	10220602 SKIRT-SHIELD (QTY 2)		
13	M0282010 NUT-KEPS (QTY 8)		
14	M0200304 SCREW-MACH (QTY 2)		
15	M0283201 NUT-U TYPE SPEED (QTY 2)		
16	D9986602 PLATE-BLOWER		
17	D9855802 GASKET-BLOWER PLATE		
18	M0211022 SCREW-SM (QTY 3)		
19	M0219916 SCREW-SM (QTY AR)		
20	D9849601 COLLAR-PIPE		
21	A4539606 RIVET-POP (QTY 4)		
22	C6455901 ELBOW-22 1/2 ELL (M1)		
23	10195401 PIPE-PVC FLUE (M2, M3, M4, M5, M6, M7)		
23	B1370920 PIPE-PVC STRAIGHT (M1)		
24	B1370923 PIPE-PVC STRAIGHT (M1)		
25	B1370917 PIPE-PVC STRAIGHT (M1)		
25	B1370921 PIPE-PVC STRAIGHT (M2, M3, M4, M5, M6, M7)		
26	M0236717 SCREW-SM		
27	M0218152 SCREW-TC (QTY 4)		
28	M0270528 WASHER-FLAT (QTY 4)		
29	D9992403 ANGLE-SUPPORT (QTY 2)		
30	C6449901 ANGLE-SUPPORT (QTY 2)		
31	M0228032 SCREW-TC (QTY 4)		
32	10241502 EXTENSION-SHIELD		
33	11085604 RECUPERATOR/TURB ASSEMBLY (M1)		
33	11085605 RECUPERATOR/TURB ASSEMBLY (M2, M3)		
33	11085606 RECUPERATOR/TURB ASSEMBLY (M4, M5, M6, M7)		
34	D9875101 GASKET-FRONT COVER (M1)		
34	D9875102 GASKET-FRONT COVER (M2, M3)		
34	D9875103 GASKET-FRONT COVER (M4, M5, M6, M7)		
35	10197002 COVER-FRONT RECUPERATOR (M1)		
35	10197103 COVER-FRONT RECUPERATOR (M2, M3)		

Electrical Controls & Miscellaneous



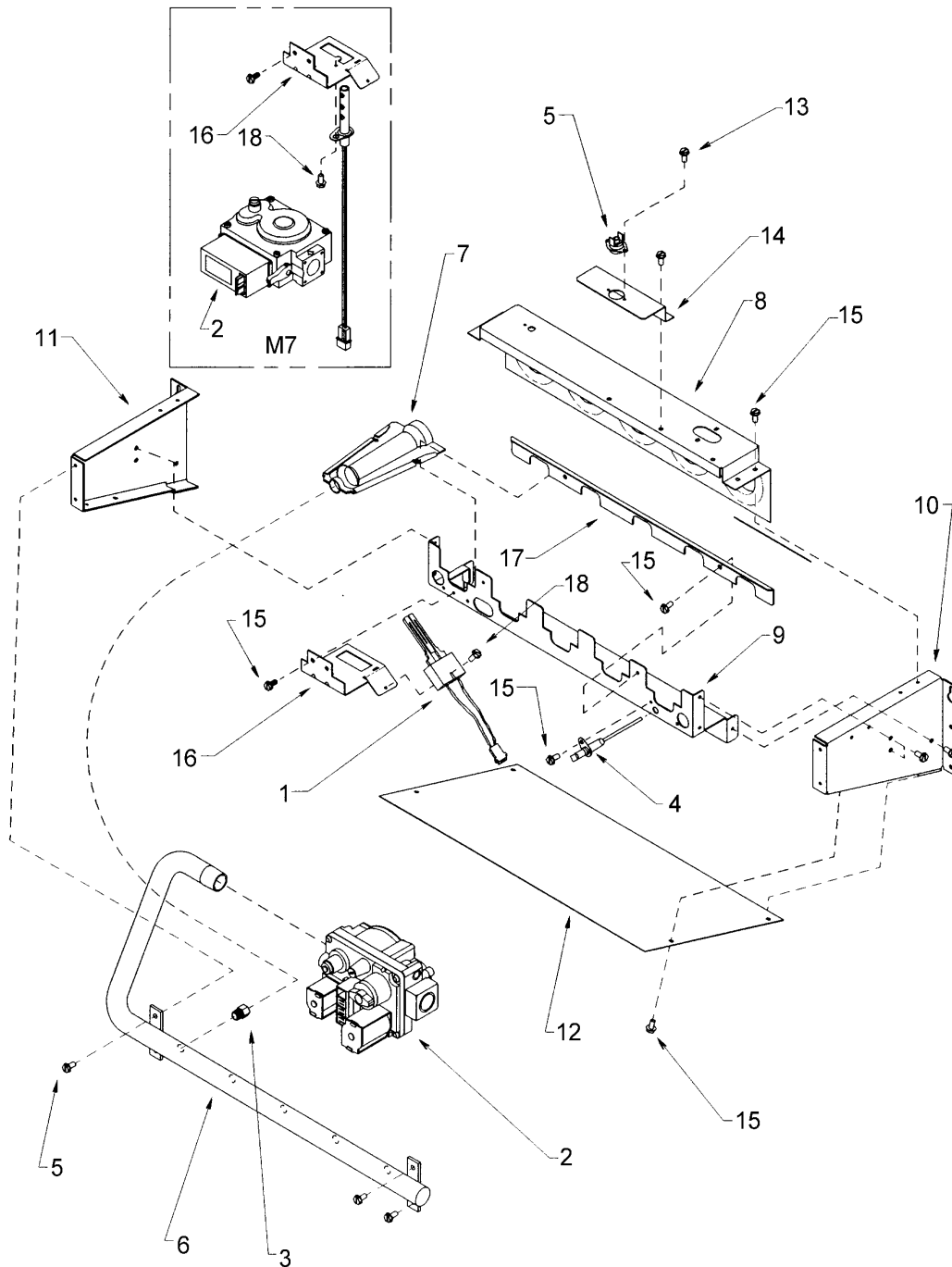
Electrical Controls & Miscellaneous

Ref Part No:	Description:	Ref. Part No:	Description:
<i>Image 1:</i>			
1	10220801		HOSE-L DRAIN
2	10220701		HOSE-R DRAIN
3	C6349701		TRANSFORMER
4	M0216536		SCREW-SM (QTY 2)
5	M0211018		SCREW-SM (QTY 2)
6	10809201		FILTER (QTY AR)
7	M0219916		SCREW-SM (QTY 2)
8	B1410310		HOSE-PRESSURE SWITCH
9	10560501		BRACKET-MOTOR SHAFT (M3, M5, M6)
10	10194301		HOSE-DRAIN
11	M0216531		SCREW-SM
12	C6458404		STANDPIPE ASSEMBLY
13	M0227525		SCREW-TC (QTY 2)
14	R9276201		SWITCH-INTERLOCK
15	M0102318		CLAMP-TUBE
16	M0119207		CLAMP-HOSE (QTY 4)
17	10194601		TUBE-DRAIN
18	10194501		TUBE-DRAIN
19	M0571002		BUSHING-SNAP
20	A4554801		BUSHING-SNAP
21	11111901		SWITCH-PRESSURE
22	10736102		BOX-HIGH VOLTAGE
23	M0227803		SCREW-TC
24	M0216716		SCREW-SM (QTY 4)
25	M0270001		WASHER-CUP
26	10736201		COVER-HIGH VOLTAGE BOX
27	M0216529		SCREW-SM (QTY 2)

Expanded Model and Color Nomenclature

M1 - GUC045X30B	P1208701F
M2 - GUC070X30B	P1208702F
M3 - GUC070X40B	P1208703F
M4 - GUC090X35B	P1208704F
M5 - GUC090X50B	P1208705F
M6 - GUC115X50B	P1208706F
M7 - GUC090X35BI	P1209404F

Manifold Assembly



Manifold Assembly

Ref Part No:	Description:	Ref. Part No:	Description:
--------------	--------------	---------------	--------------

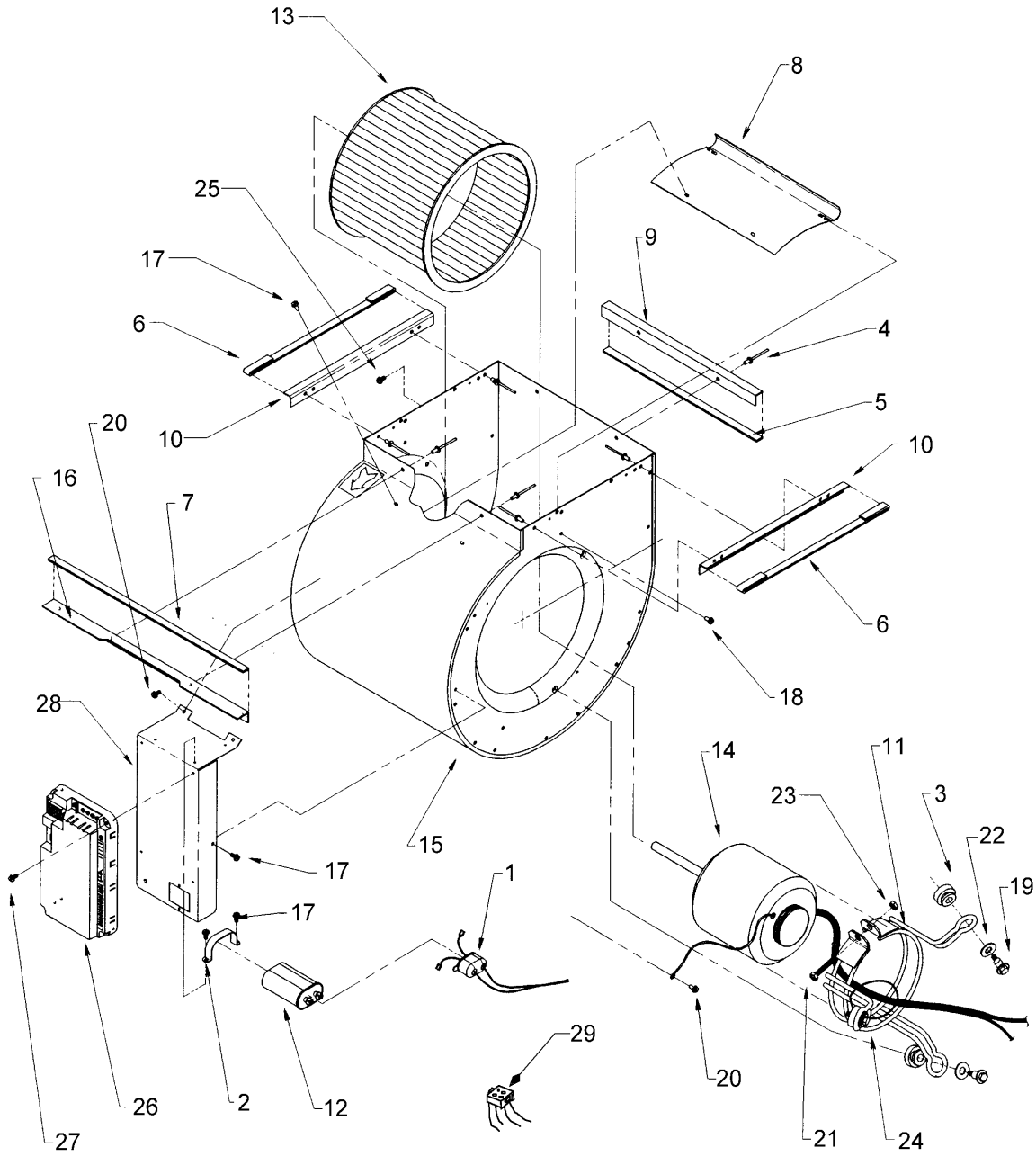
Image 1:

1	10735002	IGNITOR (M1, M2, M3, M4, M5, M6)
1	11149401	IGNITOR-ROUND (M7)
2	11149701	VALVE-GAS (M7)
2	C6476904	VALVE-GAS (M1, M2, M3, M4, M5, M6)
3	10716003	ORIFICE (QTY AR)
4	10735201	FLAME-SENSOR
5	10123503	LIMIT-RESET MANUAL
6	10452801	MANIFOLD (M1)
6	10452802	MANIFOLD (M2, M3)
6	10452803	MANIFOLD (M4, M5, M7)
6	10452804	MANIFOLD (M6)
7	10735102	BECKETT BURNER (QTY AR)
8	D9950428	BRACKET-SHIELD & MOUNTING (M1)
8	D9950429	BRACKET-SHIELD & MOUNTING (M2, M3)
8	D9950430	BRACKET-SHIELD & MOUNTING (M4, M5, M7)
8	D9950431	BRACKET-SHIELD & MOUNTING (M6)
9	11008101	BRACKET-BURNER (M1)
9	11008102	BRACKET-BURNER (M2, M3)
9	11008103	BRACKET-BURNER (M4, M5, M7)
9	11008104	BRACKET-BURNER (M6)
10	10499302	BRACKET-R MANIFOLD
11	10499402	BRACKET-L MANIFOLD
12	D9974006	SHIELD-INDUCED DRAFT BLOWER (M1)
12	D9974007	SHIELD-INDUCED DRAFT BLOWER (M2, M3)
12	D9974008	SHIELD-INDUCED DRAFT BLOWER (M4, M5, M7)
12	D9974009	SHIELD-INDUCED DRAFT BLOWER (M6)
13	M0212517	SCREW-SM (QTY 2)
14	10118902	BRACKET-SENSOR
15	M0216529	SCREW-SM (QTY 23)
16	11008703	BRACKET-SENSOR
17	10734701	BRACKET-LOCK BURNER (M1)
17	10734702	BRACKET-LOCK BURNER (M2, M3)
17	10734703	BRACKET-LOCK BURNER (M4, M5, M7)
17	10734704	BRACKET-LOCK BURNER (M6)
18	M0216519	SCREW-SM

Expanded Model and Color Nomenclature

M1 - GUC045X30B	P1208701F
M2 - GUC070X30B	P1208702F
M3 - GUC070X40B	P1208703F
M4 - GUC090X35B	P1208704F
M5 - GUC090X50B	P1208705F
M6 - GUC115X50B	P1208706F
M7 - GUC090X35BI	P1209404F

Blower Assembly



Blower Assembly

Ref Part

No: Description:

Ref. Part

No: No: Description:

Image 1:

1	A3375801	CAPACITOR-BOOT
2	A3410501	STRAP-CAPACITOR (M5, M6)
2	A4055402	STRAP-CAPACITOR (M1, M2, M3, M4, M7)
3	A4002702	GROMMET (QTY 3)
4	A4539611	RIVET-POP (QTY 8)
5	B1136502	FELT-BACK (M1, M2, M4, M7)
5	B1136519	FELT-SIDE (M3, M5, M6)
6	B1136517	FELT-SIDE (QTY 2)
7	B1136518	FELT-FRONT (M3, M5, M6)
7	B1136519	FELT-FRONT (M1, M2, M4, M7)
8	C6121807	CUTOFF (M3, M5, M6)
8	C6121810	CUTOFF (M1, M2, M4, M7)
9	C6392833	ANGLE-BLOWER (M3, M5, M6)
9	C6392834	ANGLE-BLOWER (M1, M2, M4, M7)
10	C6392906	ANGLE-BLOWER (QTY 2)
11	C9443701	BRACKET-MOTOR MOUNT (M3, M5, M6)
11	C9443702	BRACKET-MOTOR MOUNT (M1, M2, M4, M7)
12	10099901	CAPACITOR (M1, M2)
12	10099902	CAPACITOR (M4, M7)
12	D6859325	CAPACITOR (M3)
12	D6879739	CAPACITOR (M5, M6)
13	D6723302	WHEEL-BLOWER (M1, M2, M4, M7)
13	D6723306	WHEEL-BLOWER (M3, M5, M6)
14	10219601	MOTOR-BLOWER (M3)
14	10219701	MOTOR-BLOWER (M5, M6)
14	10219801	MOTOR-BLOWER (M2)
14	10219902	MOTOR-BLOWER (M4, M7)
14	10220001	MOTOR-BLOWER (M1)
15	10324220	BLOWER HOUSING WELD-PNT (M1, M2, M4, M7)
15	10324224	BLOWER HOUSING WELD-PNT (M3, M5, M6)
16	D9950103	ANGLE-BLOWER FRONT (M3, M5, M6)
16	D9950104	ANGLE-BLOWER FRONT (M1, M2, M4, M7)
17	M0219916	SCREW-SM (QTY 5)
18	M0211020	SCREW-SM (QTY 2)
19	M0221461	SCREW-TC (QTY 3)
20	M0233716	SCREW-SD (QTY 3)
21	M0267144	SCREW-MACH
22	M0274008	WASHER-FLAT (QTY 3)
23	M0282015	NUT-KEPS
24	M0321202	TIE-ELECTRICAL
25	M0216529	SCREW-SM (M3, M5, M6)
26	10207704	CONTROL-INTEGRATED (M1, M2, M3, M4, M5, M6)
26	10207706	CONTROL-INTEGRATED (M7)
27	M0211020	SCREW-SM (M7) (QTY 2)
27	M0216531	SCREW-SM (M1, M2, M3, M4, M5, M6) (QTY 2)
28	10746201	BRACKET-CONTROL
29	11135303	HARNESS-WIRING

Expanded Model and Color Nomenclature

M1 - GUC045X30B	P1208701F
M2 - GUC070X30B	P1208702F
M3 - GUC070X40B	P1208703F
M4 - GUC090X35B	P1208704F
M5 - GUC090X50B	P1208705F
M6 - GUC115X50B	P1208706F
M7 - GUC090X35BI	P1209404F