

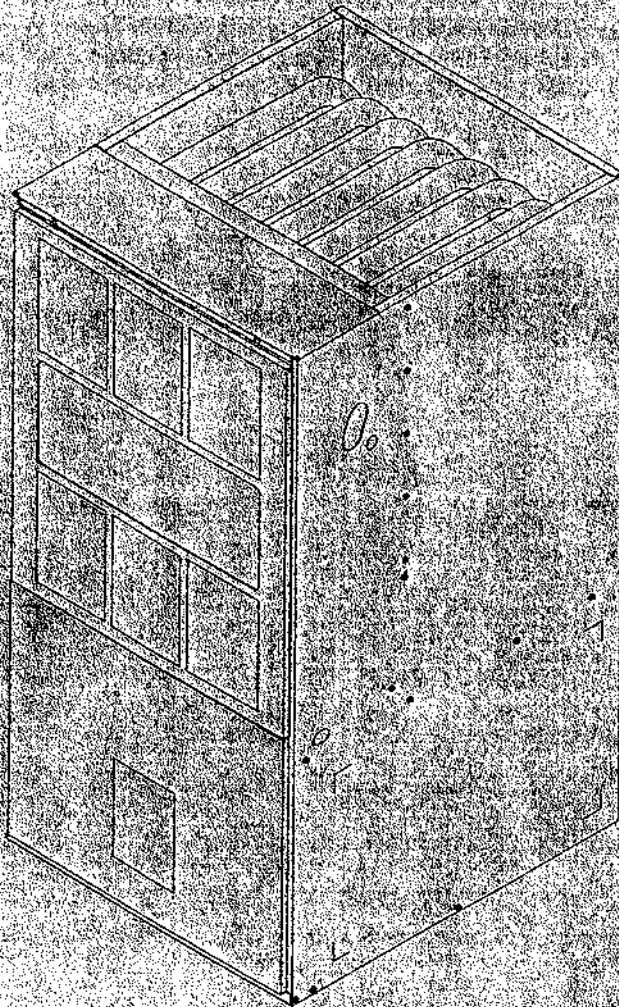
Models and manufacturing
numbers in this manual

GDC045X30B	P1208101F
GDC070X30B	P1208102F
GDC070X40B	P1208103F
GDC090X40B	P1208104F
GDC090X50B	P1208105F
GDC115X50B	P1208106F

Parts

Furnaces

Parts Manual for
Amana®



This manual is to be used by qualified appliance technicians only. Amana Refrigeration Inc. does not assume any responsibility for property damage or personal injury for improper service procedures done by an unqualified person.

Amana
A Raytheon Company

RP6610008
Revision 0
August 1996

Important Information

Pride and workmanship go into every product to provide our customers with quality products. It is possible, however, that during its lifetime a product may require service. Products should be serviced only by a qualified service technician who is familiar with the safety procedures required in the repair and who is equipped with the proper tools, parts, testing instruments and the appropriate service manual.

REVIEW ALL SERVICE INFORMATION IN THE APPROPRIATE SERVICE MANUAL BEFORE BEGINNING REPAIRS.

Important Notices



IF REPAIRS ARE ATTEMPTED BY UNQUALIFIED PERSONS, DANGEROUS CONDITIONS (SUCH AS EXPOSURE TO ELECTRICAL SHOCK) MAY RESULT. THIS MAY CAUSE SERIOUS INJURY OR DEATH.



AMANA WILL NOT BE RESPONSIBLE FOR ANY INJURY OR PROPERTY DAMAGE ARISING FROM IMPROPER SERVICE OR SERVICE PROCEDURES. IF YOU PERFORM SERVICE ON YOUR OWN PRODUCT, YOU ASSUME RESPONSIBILITY FOR ANY PERSONAL INJURY OR PROPERTY DAMAGE WHICH MAY RESULT.

To locate an authorized servicer, please consult your telephone book or the dealer from whom you purchased this product. For further assistance, please contact:

CONSUMER AFFAIRS DEPT.
AMANA REFRIGERATION, INC.
AMANA, IOWA 52204

OR
CALL

1-319-622-5511
and ask for
Consumer Affairs

If outside the United States contact:

AMANA REFRIGERATION, INC.
ATTN: INTERNATIONAL DIVISION
AMANA, IOWA 52204, USA
Telephone: (319) 622-5511
Facsimile: (319) 622-2180

RECOGNIZE SAFETY SYMBOLS, WORDS AND LABELS



DANGER - Immediate hazards which **WILL** result in severe personal injury or death.



WARNING - Hazards or unsafe practices which **COULD** result in severe personal injury or death.



CAUTION - Hazards or unsafe practices which **COULD** result in minor personal injury or product or property damage.

Index

Functional Parts List	5
Illustration and Parts	6 - 19

Views shown are for parts illustrations only, not servicing procedures.

Text Codes:

AR - As Required

0000 - Not Shown

QTY - Quantity Example (QTY 3) (If Quantity not shown, Quantity = 1)

M - Model Example (M1) (If M Code not shown, then part is used on all Models)

Expanded Model and Color Nomenclature:

Example	
M1 - Model#1	P _____
M2 - Model#2	P _____
M3 - Model#3	P _____

Functional Parts

Part

No: Description:

10735102	BECKETT BURNER (QTY AR)
D9868613	BLOWER-ID (M1, M2, M3)
D9868612	BLOWER-ID (M4, M5, M6)
10099901	CAPACITOR (M1, M2)
D6879739	CAPACITOR (M5, M6)
D6859325	CAPACITOR (M3, M4)
10207706	CONTROL-INTEG
10735201	FLAME-SENSOR
11168302	HARNESS-WIRING
10735002	IGNITOR
10123513	LIMIT-RESET MAN (M2, M3, M4, M5, M6)
10123512	LIMIT-RESET MAN (M1)
10452903	MANIFOLD (M4, M5)
10452902	MANIFOLD (M2, M3)
10452904	MANIFOLD (M6)
10452901	MANIFOLD (M1)
10219709	MOTOR-BLOWER 1/2 (M3)
10219708	MOTOR-BLOWER 1/2 (M4)
10220003	MOTOR-BLOWER 1/3 (M1)
10219804	MOTOR-BLOWER 1/3 (M2)
10219707	MOTOR-BLOWER 3/4 (M5, M6)
10716003	ORIFICE (QTY AR)
11111910	SWITCH-PRESSURE
11111902	SWITCH-PRESSURE (M2, M3, M6)
11111903	SWITCH-PRESSURE (M4, M5)
11111905	SWITCH-PRESSURE (M1)
C6349701	TRANSFORMER
11086002	TURBULATOR (QTY AR)
C6476907	VALVE-GAS

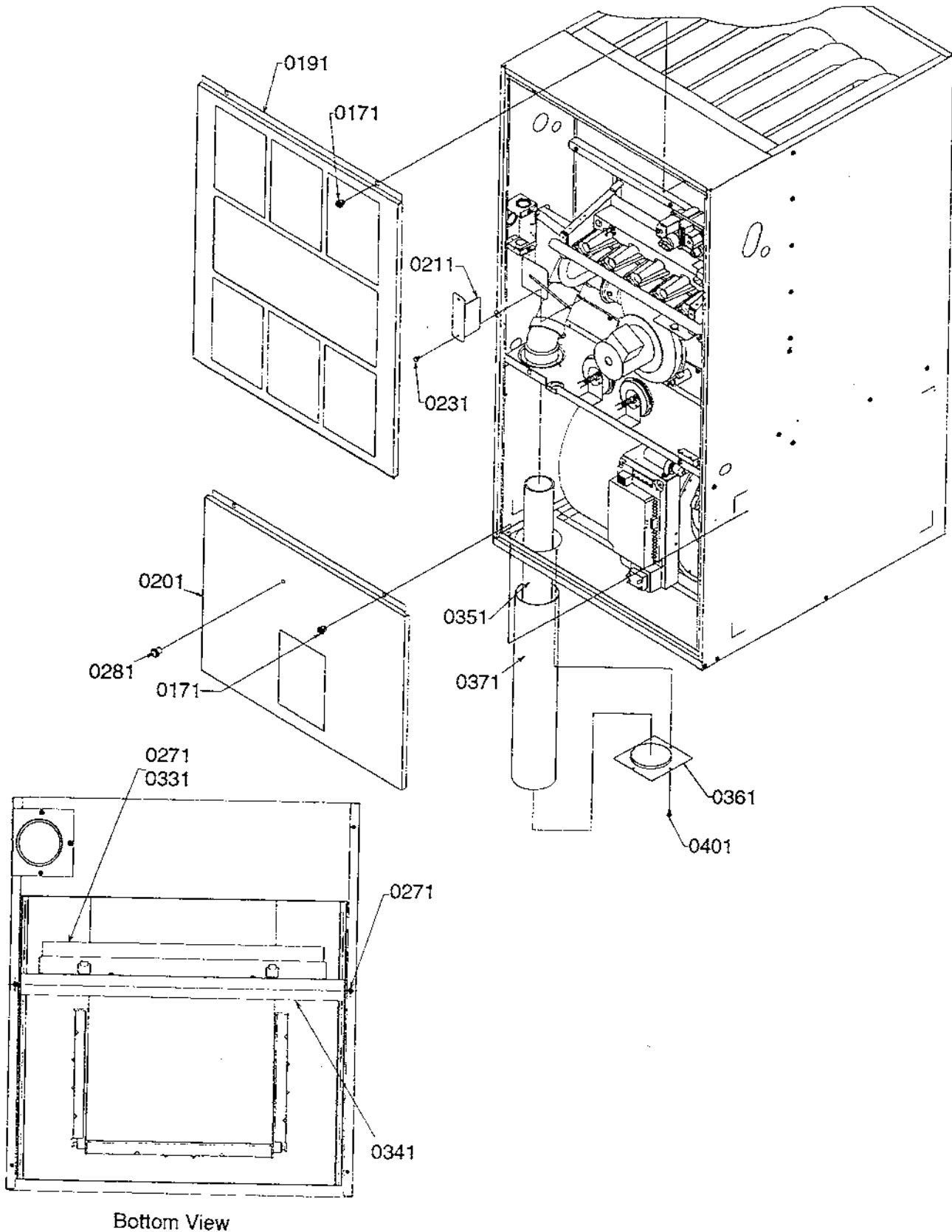
SPECIAL PARTS

C4855625	FILTER-AIR (M3, M4, M5, M6)
10373002	FILTER-AIR (M1, M2)
RP6610008	MANUAL-PARTS
RS6610001	MANUAL-SERVICE
10318813S	MANUAL-USERS
10318814S	MANUAL-USERS
11067328	MANUAL-USERS FR (M1)
11134608S	SPEC SHEET

Expanded Model and Color Nomenclature

M1 - GDC045X30B	P1208101F
M2 - GDC070X30B	P1208102F
M3 - GDC070X40B	P1208103F
M4 - GDC090X40B	P1208104F
M5 - GDC090X50B	P1208105F
M6 - GDC115X50B	P1208106F

Front Panels



Bottom View

Front Panels

Ref. No:	Part No:	Description:	Ref. No:	Part No:	Description:
<i>Image 1</i>					
0171	B1388803	LATCH-1/4 TURN (QTY 4)			
0191	D6988004	ACCESS DOOR (M1)			
0191	D6988009	ACCESS DOOR (M2, M3)			
0191	D6988010	ACCESS DOOR (M4, M5, M6)			
0201	D6979618	BLOWER DOOR (M4, M5, M6)			
0201	D6979614	BLOWER DOOR (M1)			
0201	D6979616	BLOWER DOOR (M2, M3)			
0211	10736201	COVER-HV BOX			
0231	M0216529	SCREW-SM (QTY AR)			
0271	M0216716	SCREW-SM (M1, M2) (QTY AR)			
0271	M0211018	SCREW-SM (M3, M4, M5, M6) (QTY AR)			
0281	11104001	SNAP-BUSHING CLR			
0331	10368501	RAIL-FILTER			
0341	10262101	SUPPORT-BLOWER (M3)			
0351	B1370909	PIPE-PVC STRAIGHT			
0361	C6424004	VENT TUBE BKT			
0371	11022001	TUBE-VENT			
0401	M0219916	SCREW-SM (QTY AR)			

Expanded Model and Color Nomenclature

M1 - GDC045X30B	P1208101F
M2 - GDC070X30B	P1208102F
M3 - GDC070X40B	P1208103F
M4 - GDC090X40B	P1208104F
M5 - GDC090X50B	P1208105F
M6 - GDC115X50B	P1208106F

Partition Tube/Collector Box/Manifold

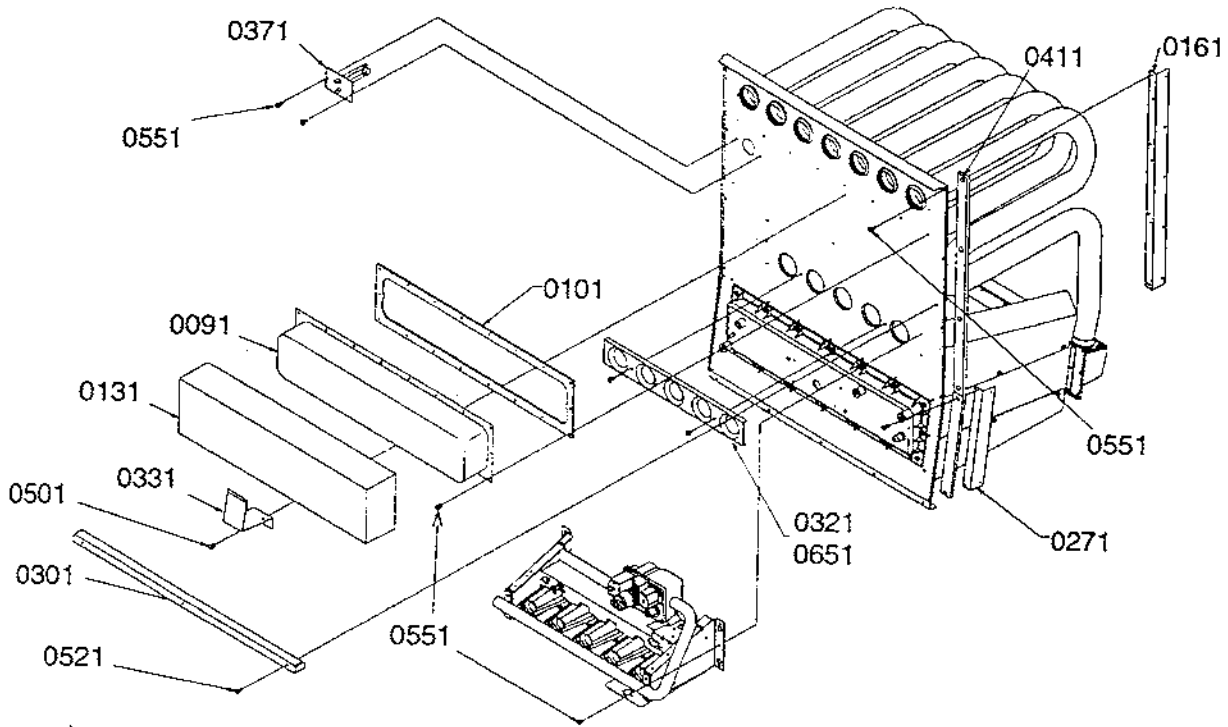
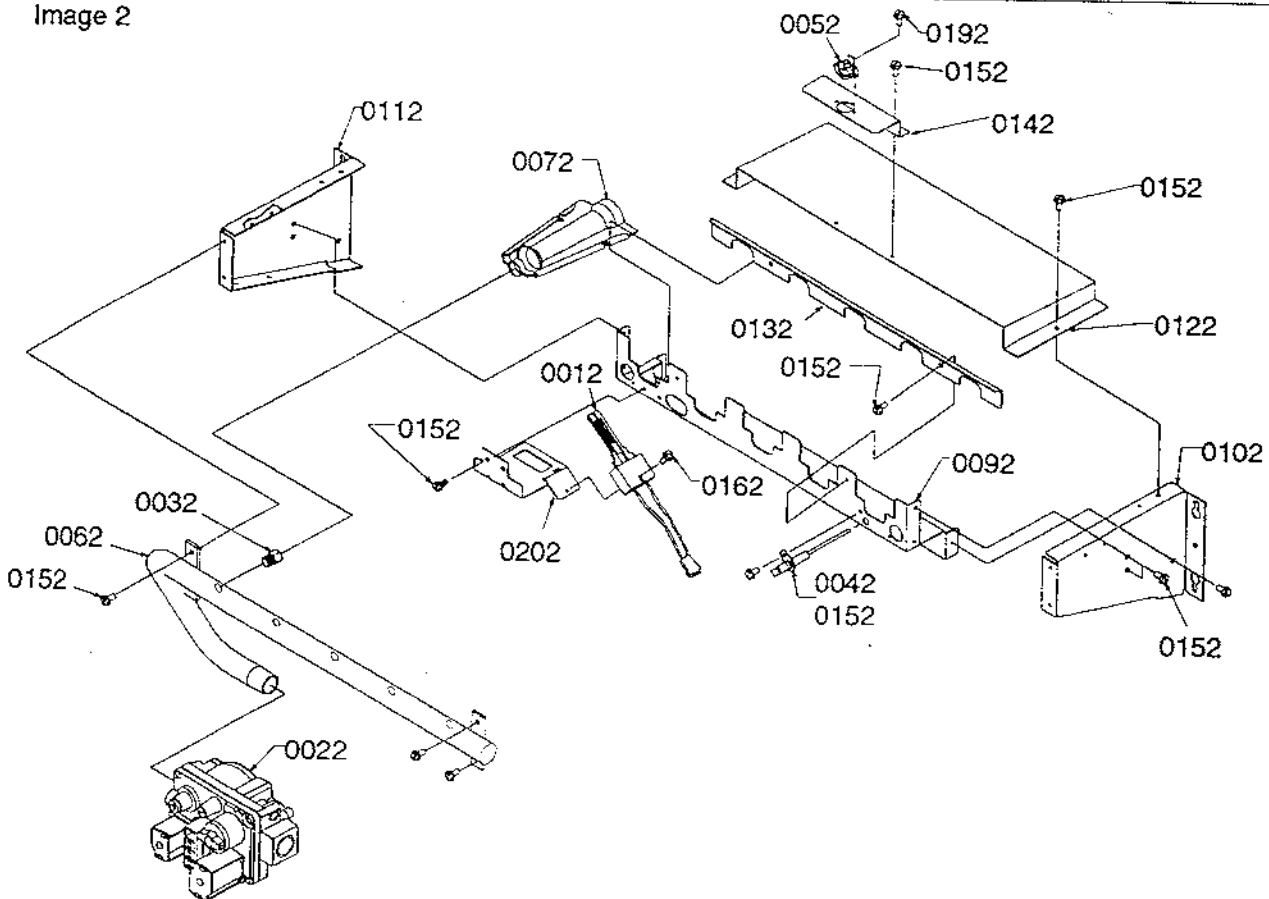


Image 1

Image 2



Partition Tube/Collector Box/Manifold

Ref. Part No:	Part No:	Description:	Ref. Part No:	Part No:	Description:
---------------	----------	--------------	---------------	----------	--------------

Image 1

0091	D9981101	BOX-COLLECTOR (M4, M5, M6)
0091	D9981001	BOX-COLLECTOR (M1, M2, M3)
0101	D9983001	GASKET-COLL BOX (M1, M2, M3)
0101	D9983002	GASKET-COLL BOX (M4, M5, M6)
0131	D9987602	INSUL-COLL BOX (M4, M5, M6)
0131	D9987601	INSUL-COLL BOX (M1, M2, M3)
0161	D9992403	ANGLE-SUPPORT (QTY 2)
0271	C6449901	ANGLE-SUPPORT (QTY 2)
0301	C6457403	STIFFENER-PANEL (M4, M5, M6)
0301	C6457402	STIFFENER-PANEL (M2, M3)
0321	11072202	SHIELD-ORIFICE (M2, M3)
0321	11072201	SHIELD-ORIFICE (M1)
0321	11072203	SHIELD-ORIFICE (M4, M5)
0321	11072204	SHIELD-ORIFICE (M6)
0331	C6471201	BRKT-INSUL
0371	10250805	LIMIT (M1)
0371	10250807	LIMIT (M2, M4, M5, M6)
0371	10250802	LIMIT (M3)
0411	11066201	GASKET-PART PANEL (QTY 2)
0501	M0211016	SCREW-SM (QTY AR)
0521	M0211022	SCREW-SM (QTY AR)
0551	M0219916	SCREW-SM (QTY AR)
0651	M0211020	SCREW-SM (QTY AR)

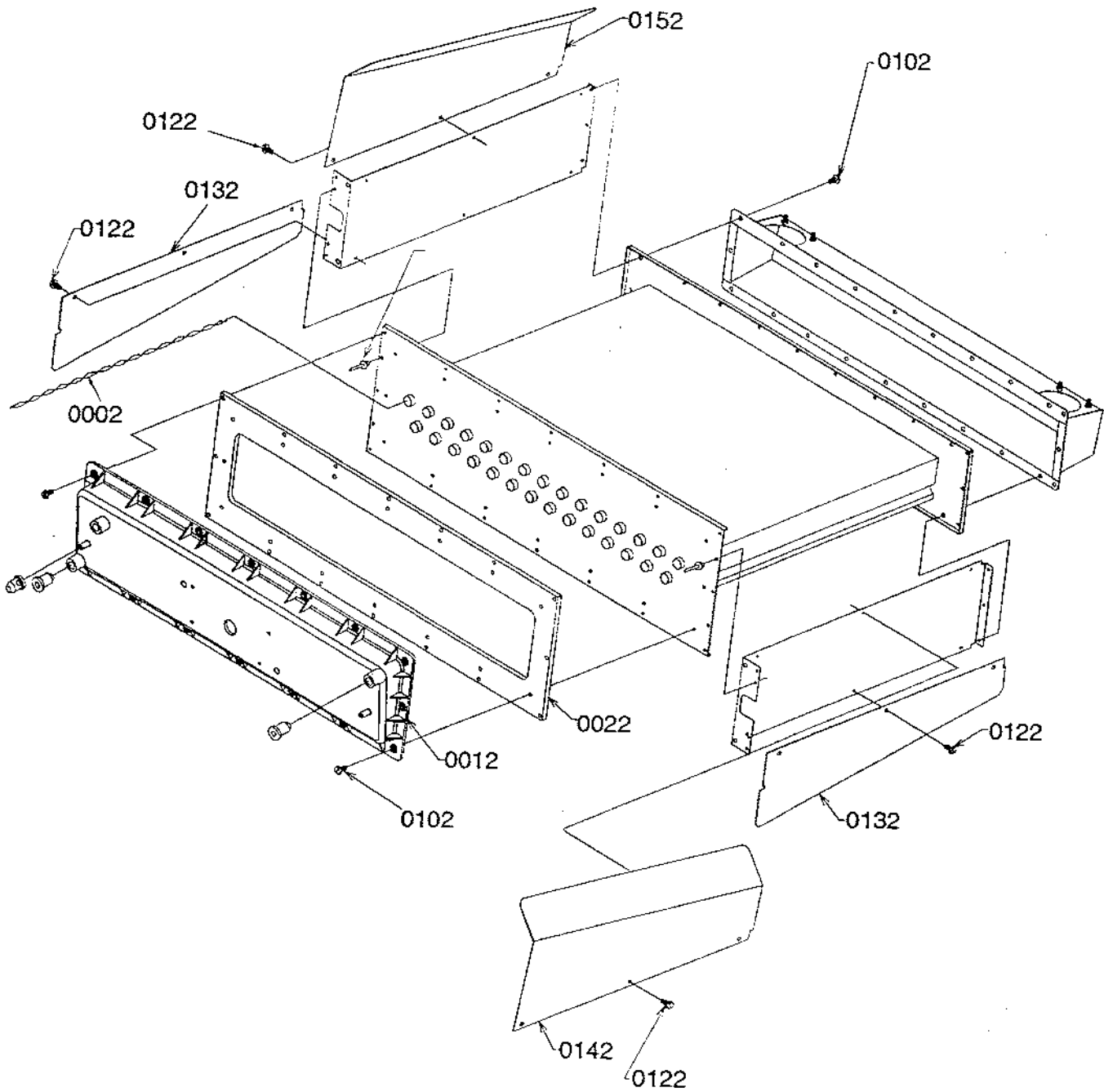
Expanded Model and Color Nomenclature

M1 - GDC045X30B	P1208101F
M2 - GDC070X30B	P1208102F
M3 - GDC070X40B	P1208103F
M4 - GDC090X40B	P1208104F
M5 - GDC090X50B	P1208105F
M6 - GDC115X50B	P1208106F

Image 2

0012	10735002	IGNITOR
0022	C6476907	VALVE-GAS
0032	10716003	ORIFICE (QTY AR)
0042	10735201	FLAME-SENSOR
0052	10123512	LIMIT-RESET MAN (M1)
0052	10123513	LIMIT-RESET MAN (M2, M3, M4, M5, M6)
0062	10452902	MANIFOLD (M2, M3)
0062	10452904	MANIFOLD (M6)
0062	10452903	MANIFOLD (M4, M5)
0062	10452901	MANIFOLD (M1)
0072	10735102	BECKETT BURNER (QTY AR)
0092	11008104	BRKT-BURNER (M6)
0092	11008103	BRKT-BURNER (M4, M5)
0092	11008101	BRKT-BURNER (M1)
0092	11008102	BRKT-BURNER (M2, M3)
0102	10499303	BRKT-R MANIFOLD
0112	10499403	BRKT-L MANIFOLD
0122	11165102	SHIELD-ID BLOWER (M2, M3)
0122	11165104	SHIELD-ID BLOWER (M6)
0122	11165103	SHIELD-ID BLOWER (M4, M5)
0122	11165101	SHIELD-ID BLOWER (M1)
0132	10734702	BRKT-LOCK BURNER (M2, M3)
0132	10734703	BRKT-LOCK BURNER (M4, M5)
0132	10734701	BRKT-LOCK BURNER (M1)
0132	10734704	BRKT-LOCK BURNER (M6)
0142	10118902	BRKT-SENSOR
0152	M0216529	SCREW-SM (QTY AR)
0162	M0216519	SCREW-SM (QTY AR)
0192	M0212517	SCREW-SM (QTY AR)
0202	11008703	BRKT-SENSOR

Heat Exchange/Recupe Coil



Heat Exchange/Recupe Coil

Ref. Part

No: No: Description:

Ref. Part

No: No: Description:

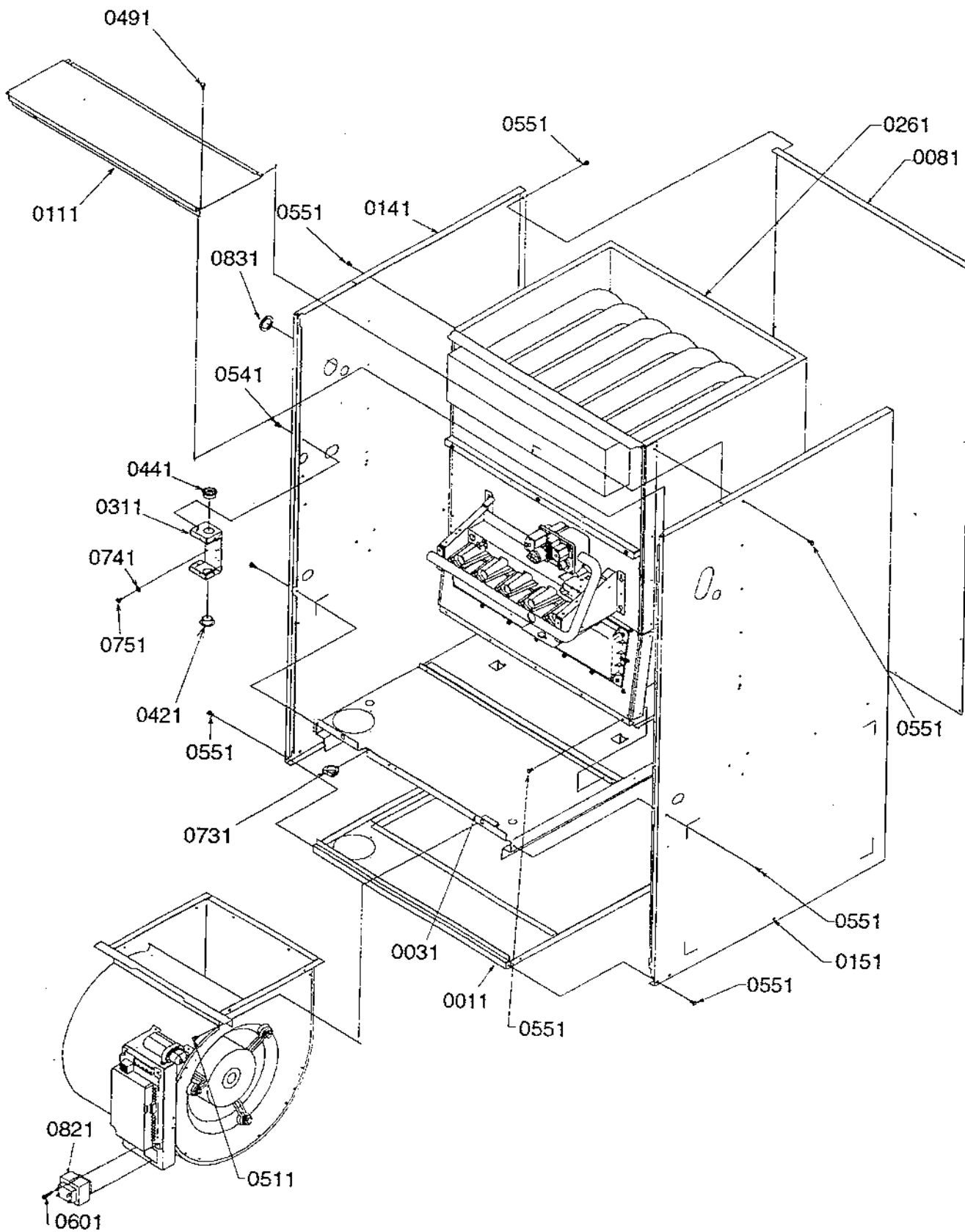
Image 1

0002	11086002	TURBULATOR (QTY AR)
0012	10197207	COVER-FR RECUPE (M4, M5)
0012	10197004	COVER-FR RECUPE (M1)
0012	10197208	COVER-FR RECUPE (M6)
0012	10197104	COVER-FR RECUPE (M2, M3)
0022	D9875103	GASKET-FR COV (M4, M5, M6)
0022	D9875101	GASKET-FR COV (M1)
0022	D9875102	GASKET-FR COV (M2, M3)
0102	M0211031	SCREW-SM (QTY AR)
0122	M0219916	SCREW-SM (QTY AR)
0132	10238302	SKIRT-SHIELD (QTY 2)
0142	10241502	EXTENSION-SHIELD
0152	10241503	EXTENSION-SHIELD

Expanded Model and Color Nomenclature

M1 - GDC045X30B	P1208101F
M2 - GDC070X30B	P1208102F
M3 - GDC070X40B	P1208103F
M4 - GDC090X40B	P1208104F
M5 - GDC090X50B	P1208105F
M6 - GDC115X50B	P1208106F

Outer Cabinet



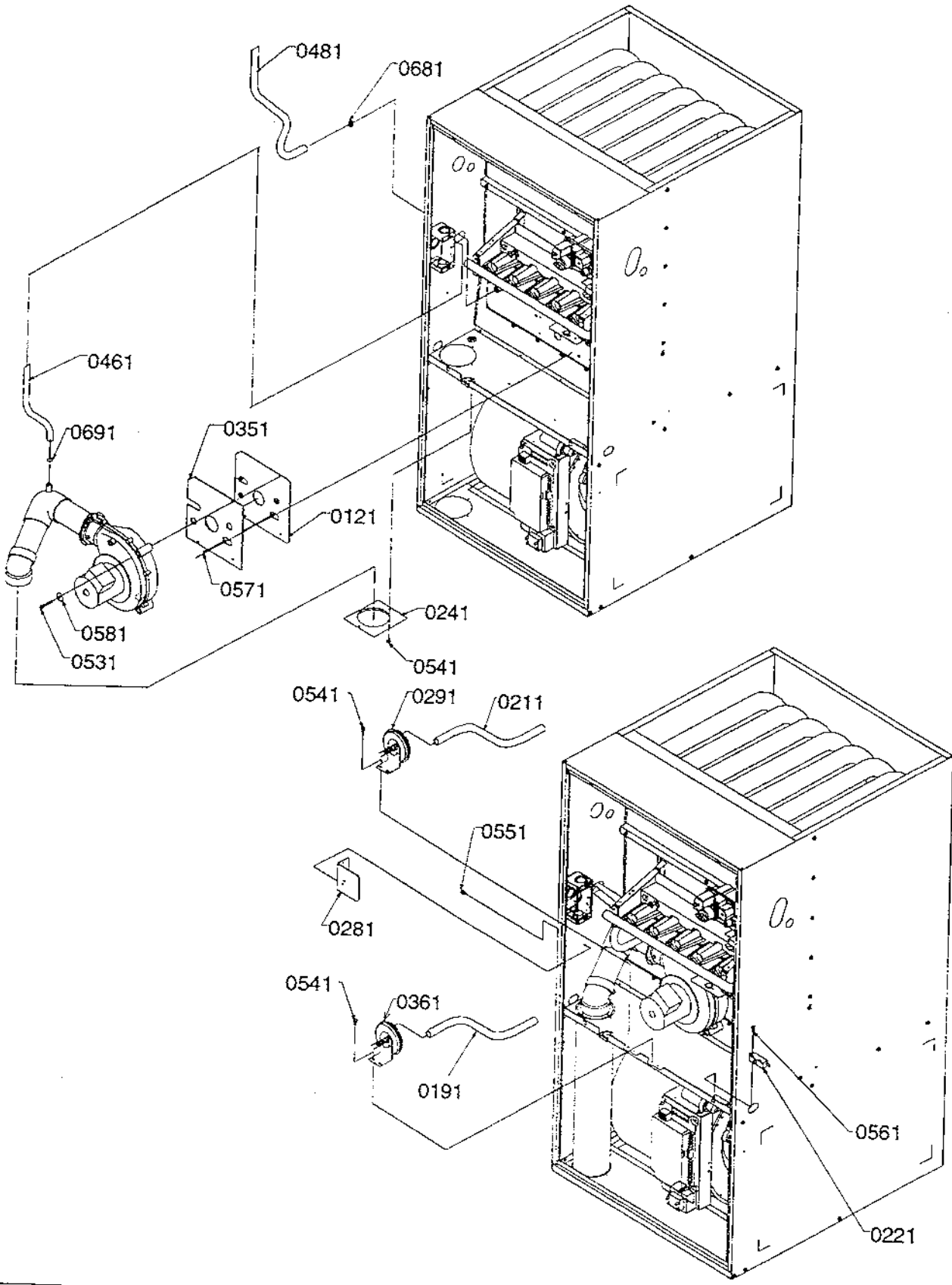
Outer Cabinet

Ref. Part No:	Part No:	Description:	Ref. Part No:	Part No:	Description:
<i>Image 1</i>					
0011	D9902316	BASEPAN WELD (M2, M3)			
0011	D9902318	BASEPAN WELD (M4, M5, M6)			
0011	D9902314	BASEPAN WELD (M1)			
0031	10309216	BLOWER DECK WELD (M1)			
0031	10309217	BLOWER DECK WELD (M2)			
0031	10309218	BLOWER DECK WELD (M3)			
0031	10309219	BLOWER DECK WELD (M4, M5, M6)			
0081	D9965808	BACK PANEL (M1)			
0081	D9965812	BACK PANEL (M4, M5, M6)			
0081	D9965810	BACK PANEL (M2, M3)			
0111	D6995118	TOP COVER (M4, M5, M6)			
0111	D6995116	TOP COVER (M2, M3)			
0111	D6995114	TOP COVER (M1)			
0141	10452012	L-SIDE PANEL			
0151	10452412	R-SIDE PANEL			
0261	C6415906	INSUL-HT EX (M4, M5, M6)			
0261	C6415904	INSUL-HT EX (M1)			
0261	C6415905	INSUL-HT EX (M2, M3)			
0311	10736102	BOX-HIGH VOLTAGE			
0421	A4554801	BUSHING-SNAP			
0441	M0571002	BUSHING-SNAP			
0491	M0211530	SCREW-SM (QTY AR)			
0511	M0211018	SCREW-SM (QTY AR)			
0541	M0216716	SCREW-SM (QTY AR)			
0551	M0219916	SCREW-SM (QTY AR)			
0601	M0216536	SCREW-SM (QTY AR)			
0731	A4568804	GROMMET-D			
0741	M0270001	WASHER-CUP			
0751	M0227803	SCREW-TC			
0821	C6349701	TRANSFORMER			
0831	A4603801	GROMMET			

Expanded Model and Color Nomenclature

M1 - GDC045X30B	P1208101F
M2 - GDC070X30B	P1208102F
M3 - GDC070X40B	P1208103F
M4 - GDC090X40B	P1208104F
M5 - GDC090X50B	P1208105F
M6 - GDC115X50B	P1208106F

Tubing/Pressure Switches



Tubing/Pressure Switches

Ref. Part No:	Part No:	Description:	Ref. Part No:	Part No:	Description:
---------------	----------	--------------	---------------	----------	--------------

Image 1

0121	D9986603	PLATE-BLOWER
0191	B1410312	HOSE-PRESSURE SW
0211	B1410311	HOSE-PRESSURE SW
0221	B9276201	SWITCH-INTERLOCK
0241	C6424002	BRKT-VENT TUBE
0281	10314001	BRKT-ELBOW
0291	11111905	SWITCH-PRESSURE (M1)
0291	11111903	SWITCH-PRESSURE (M4, M5)
0291	11111902	SWITCH-PRESSURE (M2, M3, M6)
0351	D9855802	GASKET-BLOW PLT
0361	11111910	SWITCH-PRESSURE
0461	C6458101	HOSE-DRAIN
0481	10241101	HOSE-DRAIN
0531	M0218151	SCREW-SM (QTY AR)
0541	M0216716	SCREW-SM (QTY AR)
0551	M0219916	SCREW-SM (QTY AR)
0561	M0227525	SCREW-TC (QTY 2)
0571	M0228032	SCREW-TC (QTY 4)
0581	M0270528	WASHER-FLAT (QTY 4)
0681	M0119206	CLAMP-HOSE
0691	M0117603	CLAMP-HOSE

Expanded Model and Color Nomenclature

M1 - GDC045X30B	P1208101F
M2 - GDC070X30B	P1208102F
M3 - GDC070X40B	P1208103F
M4 - GDC090X40B	P1208104F
M5 - GDC090X50B	P1208105F
M6 - GDC115X50B	P1208106F

Wiring/Blower Pipe

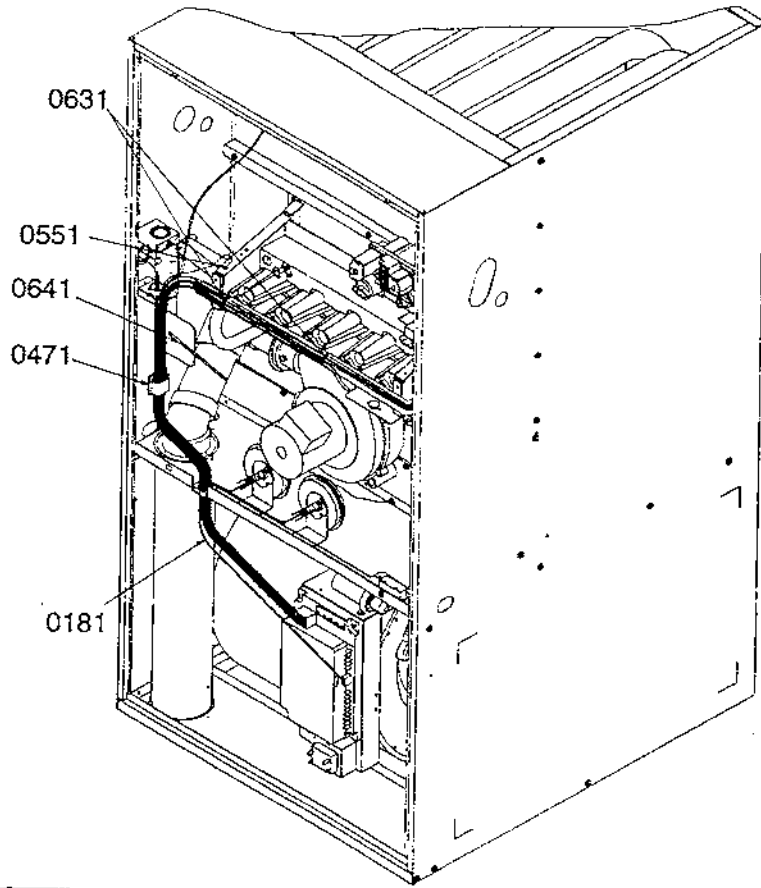
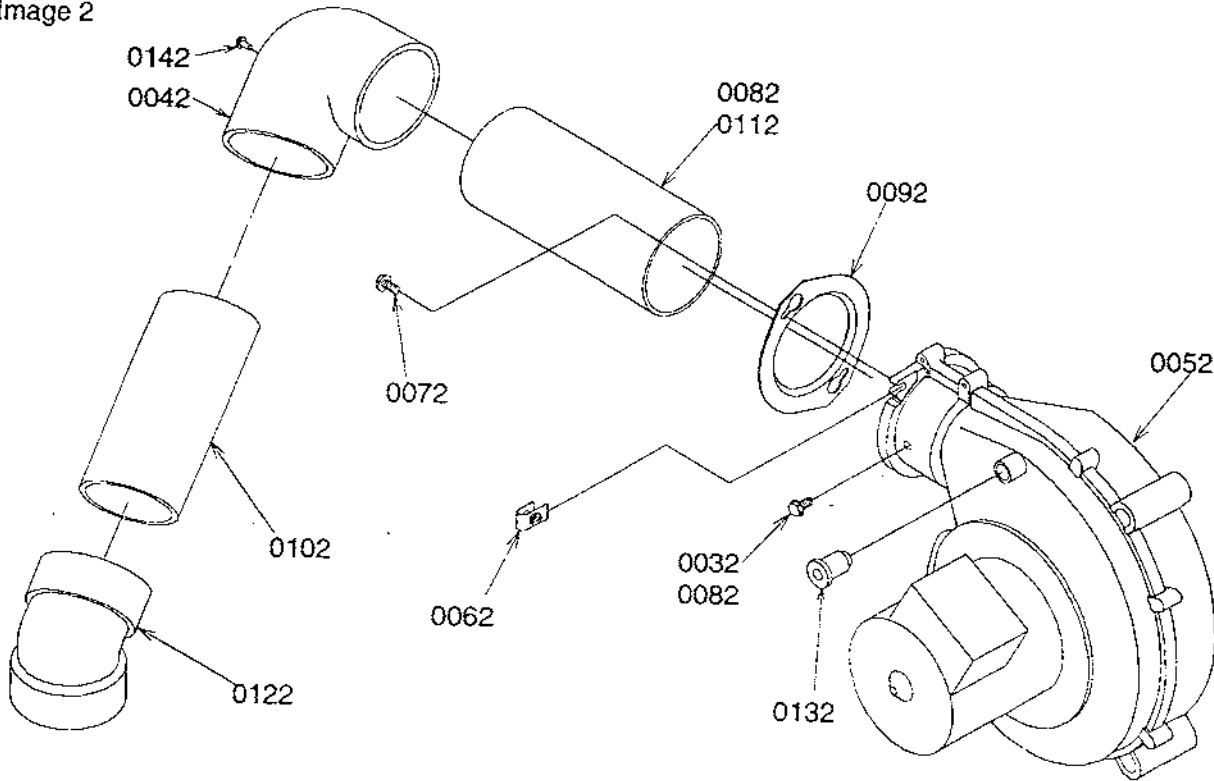


Image 1

Image 2



Wiring/Blower Pipe

Ref. Part No:	Part No:	Description:	Ref. Part No:	Part No:	Description:
---------------	----------	--------------	---------------	----------	--------------

Image 1

0181	11168302	HARNES-WIRING
0471	M0104102	CLIP-CORD
0551	M0219916	SCREW-SM (QTY AR)
0631	M0321202	TIE-ELEC (QTY 5)
0641	M0321208	TIE-ELEC

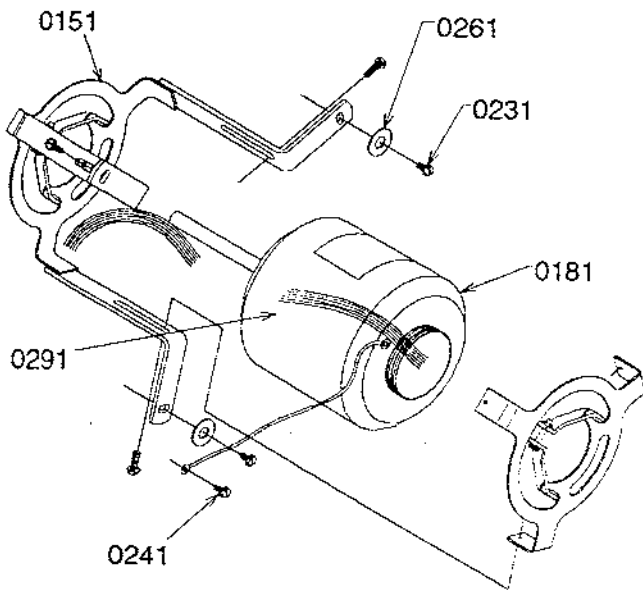
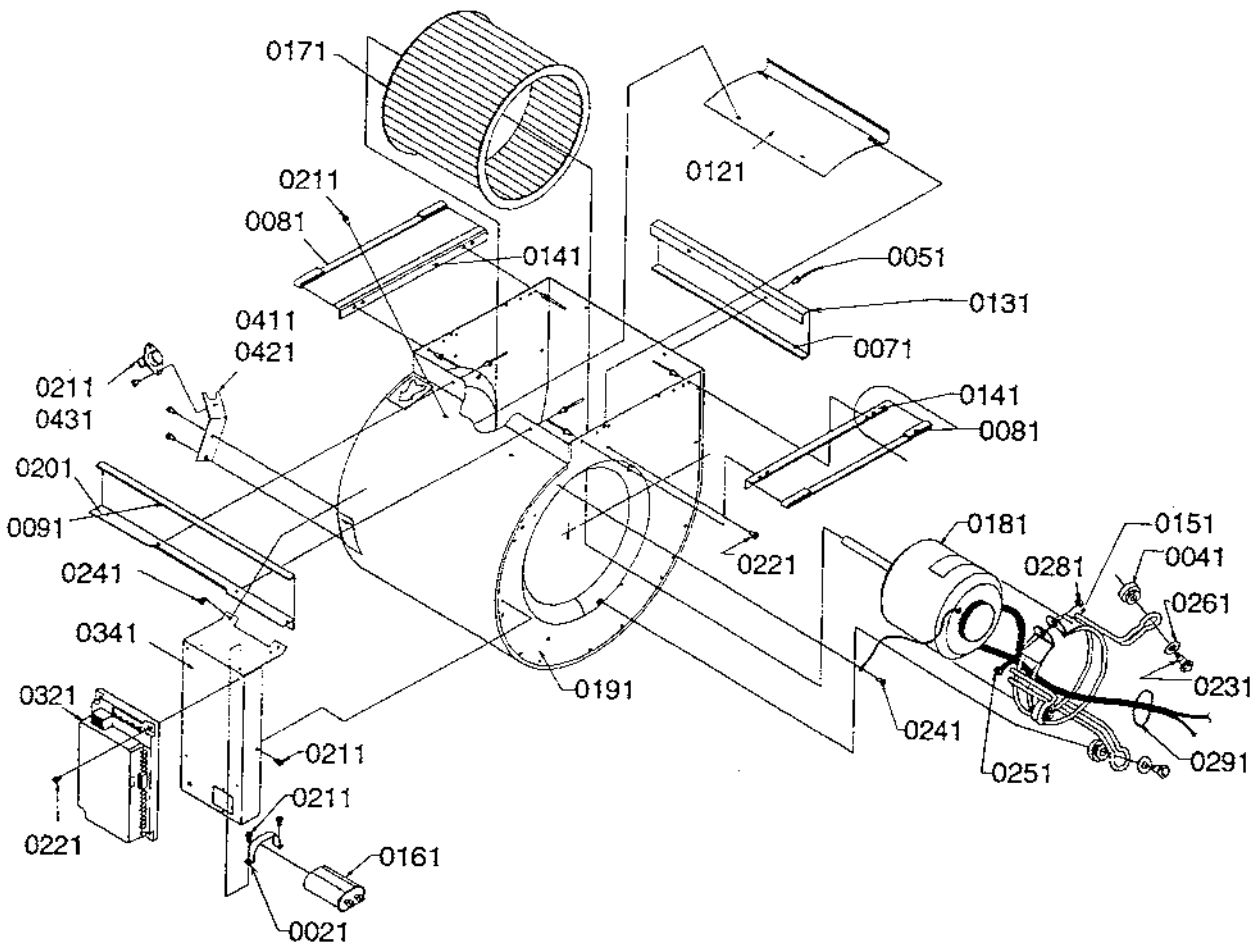
Image 2

0032	M0236717	SCREW-SM (QTY AR)
0042	C6458303	ELBOW ASSY
0052	D9868613	BLOWER-ID (M1, M2, M3)
0052	D9868612	BLOWER-ID (M4, M5, M6)
0062	M0283201	NUT-U TYPE SPEED (QTY 2)
0072	M0200304	SCREW-MACH (QTY 2)
0082	M0275402	SEALER (QTY 9)
0092	D9849601	COLLAR-PIPE
0102	B1370924	PIPE-PVC STRAIGHT
0112	B1370926	PIPE-PVC STRAIGHT (M2, M3, M4, M5, M6)
0112	B1370917	PIPE-PVC STRAIGHT (M1)
0122	C6455901	ELBOW-22 1/2 ELL
0132	M0326802	PLUG-TUBE
0142	M0326806	PLUG-TUBE

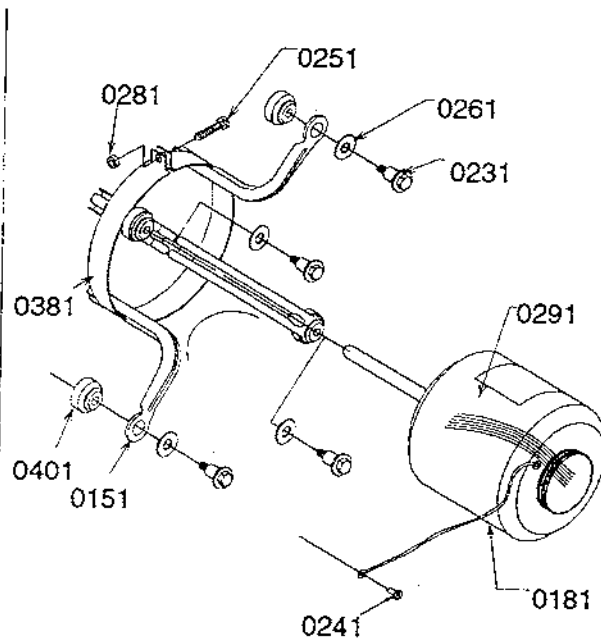
Expanded Model and Color Nomenclature

M1 - GDC045X30B	P1208101F
M2 - GDC070X30B	P1208102F
M3 - GDC070X40B	P1208103F
M4 - GDC090X40B	P1208104F
M5 - GDC090X50B	P1208105F
M6 - GDC115X50B	P1208106F

Blower



Alternate Motor Mount For M1



Alternate Motor Mount For M2, M3, M4, M5, M6

Blower

Ref. Part No:	Part No:	Description:
<i>Image 1</i>		
0021	A3410501	STRAP-CAPACITOR (M5, M6)
0021	A4055402	STRAP-CAPACITOR (M1, M2, M3, M4)
0041	A4002702	GROMMET (M1, M2)
0051	A4539611	RIVET-POP (M1, M2)
0051	A4539611	RIVET-POP (M3, M4, M5, M6)
0071	B1136502	FELT-BACK (M1, M2)
0071	B1136519	FELT-FRONT (M3, M4, M5, M6)
0081	B1136517	FELT-SIDE (M1, M2)
0081	B1136521	FELT (M3, M4, M5, M6)
0091	B1136518	FELT-SIDE (M3, M4, M5, M6)
0091	B1136519	FELT-FRONT (M1, M2)
0121	C6121807	CUTOFF (M3, M4, M5, M6)
0121	C6121810	CUTOFF (M1, M2)
0131	C6392834	ANGLE-BLOWER (M1, M2)
0131	C6421201	ANGLE-BLOWER (M3, M4, M5, M6)
0141	C6392906	ANGLE-BLOWER (M1, M2)
0141	C6421202	ANGLE-BLOWER (M3, M4, M5, M6)
0151	C9443702	BRKT-MOTOR MT (M1, M2)
0151	10441501	ARM-MTR MOUNT (M3, M4, M5, M6)
0161	D6879739	CAPACITOR (M5, M6)
0161	10099901	CAPACITOR (M1, M2)
0161	D6859325	CAPACITOR (M3, M4)
0171	D6723311	WHEEL-BLOWER (M3, M4, M5, M6)
0171	D6723302	WHEEL-BLOWER (M1, M2)
0181	10219707	MOTOR-BLOWER 3/4 (M5, M6)
0181	10219708	MOTOR-BLOWER 1/2 (M4)
0181	10220003	MOTOR-BLOWER 1/3 (M1)
0181	10219709	MOTOR-BLOWER 1/2 (M3)
0181	10219804	MOTOR-BLOWER 1/3 (M2)
0191	10324220	BLOW HSG WELD (M1, M2)
0191	10324222	BLOW HSG WELD (M3, M4, M5, M6)
0201	D9950101	ANGLE-BLOWER FR (M3, M4, M5, M6)
0201	D9950104	ANGLE-BLOWER FR (M1, M2)
0211	M0211016	SCREW-SM (QTY AR)
0221	M0211020	SCREW-SM (QTY AR)
0231	M0221461	SCREW-TC (M1, M2)
0231	M0221461	SCREW-TC (M3, M4, M5, M6)
0241	M0233716	SCREW-SD (QTY 3)
0251	M0267144	SCREW-MACH
0261	M0274008	WASHER-FLAT (M3, M4, M5, M6)
0261	M0274008	WASHER-FLAT (M1, M2)
0281	M0282015	NUT-KEPS
0291	M0321202	TIE-ELEC
0321	10207706	CONTROL-INTEG
0341	10746201	BRKT-CONTROL
0381	10441601	BAND-MTR MOUNT (M3, M4, M5, M6)
0401	A4002701	GROMMET (M3, M4, M5, M6)
0411	B1423601	BRKT-AUX LIMIT
0421	M1252043	SCREW-TC (QTY 2)
0431	M0352005	SWITCH

Ref. Part No:	Part No:	Description:
Expanded Model and Color Nomenclature		

M1 - GDC045X30B	P1208101F
M2 - GDC070X30B	P1208102F
M3 - GDC070X40B	P1208103F
M4 - GDC090X40B	P1208104F
M5 - GDC090X50B	P1208105F
M6 - GDC115X50B	P1208106F