

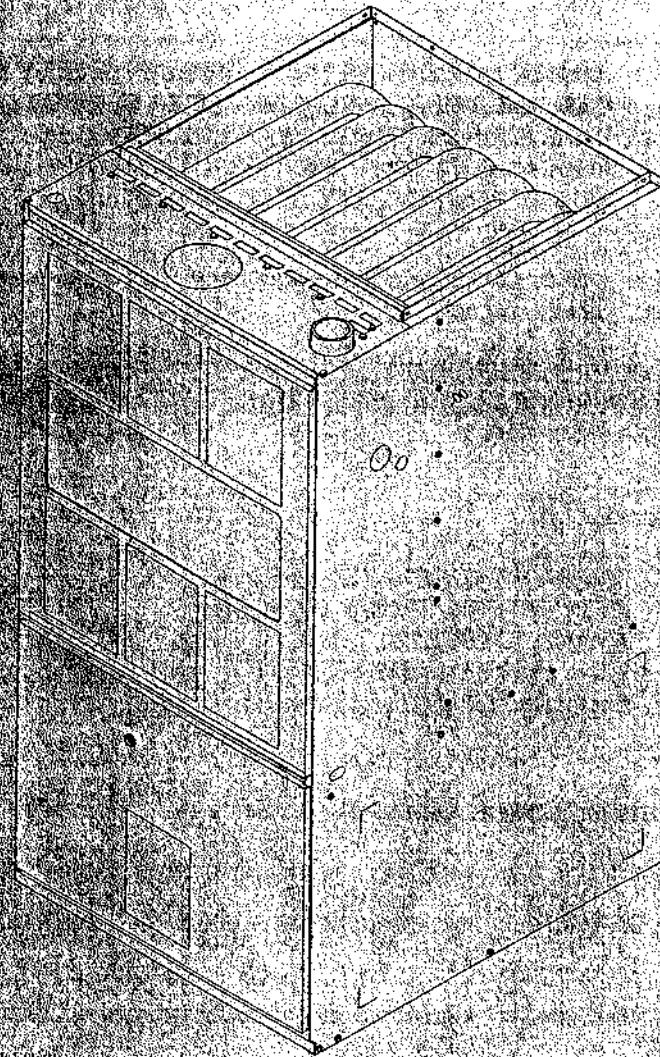
Models and manufacturing  
numbers in this manual

GUD040X40B P1208003F  
GUD045X30B P1208001F  
GUD070X30B P1208002F  
GUD090X35B P1208004F  
GUD090X50B P1208005F  
GUD115X50B P1208006F

# Parts

## GUD Gas Furnace

Parts Manual for  
Amana®



This manual is to be used by qualified appliance technicians only. Amana Refrigeration Inc. does not assume any responsibility for property damage or personal injury for improper service procedures done by an unqualified person.

**Amana**  
A Raytheon Company

RP661007  
Revision 0  
February 1996

## Important Information

Pride and workmanship go into every product to provide our customers with quality products. It is possible, however, that during its lifetime a product may require service. Products should be serviced only by a qualified service technician who is familiar with the safety procedures required in the repair and who is equipped with the proper tools, parts, testing instruments and the appropriate service manual.

**REVIEW ALL SERVICE INFORMATION IN THE APPROPRIATE SERVICE MANUAL BEFORE BEGINNING REPAIRS.**

## Important Notices



**IF REPAIRS ARE ATTEMPTED BY UNQUALIFIED PERSONS, DANGEROUS CONDITIONS (SUCH AS EXPOSURE TO ELECTRICAL SHOCK) MAY RESULT. THIS MAY CAUSE SERIOUS INJURY OR DEATH.**



**AMANA WILL NOT BE RESPONSIBLE FOR ANY INJURY OR PROPERTY DAMAGE ARISING FROM IMPROPER SERVICE OR SERVICE PROCEDURES. IF YOU PERFORM SERVICE ON YOUR OWN PRODUCT, YOU ASSUME RESPONSIBILITY FOR ANY PERSONAL INJURY OR PROPERTY DAMAGE WHICH MAY RESULT.**

To locate an authorized servicer, please consult your telephone book or the dealer from whom you purchased this product. For further assistance, please contact

CONSUMER AFFAIRS DEPT.      OR      1-319-622-5511  
AMANA REFRIGERATION, INC.      CALL      and ask for  
AMANA, IOWA 52204      Consumer Affairs

If outside the United States contact:

AMANA REFRIGERATION, INC.  
ATTN: INTERNATIONAL DIVISION  
AMANA, IOWA 52204, USA  
Telephone: (319) 622-5511  
Facsimile: (319) 622-2180

## RECOGNIZE SAFETY SYMBOLS, WORDS AND LABELS



**DANGER - Immediate hazards which WILL result in severe personal injury or death.**



**WARNING - Hazards or unsafe practices which COULD result in severe personal injury or death.**



**CAUTION - Hazards or unsafe practices which COULD result in minor personal injury or product or property damage.**

## Index

- FUNCTIONAL PARTS LIST .....	5
ILLUSTRATION AND PARTS .....	6 - 19

### Text Codes:

98 - As Required

99 - Not Shown

QTY - Quantity Example (QTY 3) (If Quantity not shown, Quantity = 1)

M - Model Example (M1) (If M Code not shown, then part is used on all Models)

### Expanded Model and Color Nomenclature:

M1 - GUD045X30B	P1208001F
M2 - GUD070X30B	P1208002F
M3 - GUD070X40B	P1208003F
M4 - GUD090X35B	P1208004F
M5 - GUD090X50B	P1208005F
M6 - GUD115X50B	P1208006F



## Functional Parts

### Part

No: Description:

---

10735102	BECKETT BURNER (QTY AR)
D9868607	BLOWER, INDUCED DRAFT
10099902	CAPACITOR (M4)
D6859325	CAPACITOR (M3)
D6879739	CAPACITOR (M5, M6)
10099901	CAPACITOR (M1, M2)
A3375801	CAPACITOR, BOOT (PRIOR TO SERIAL NUMBER 9602)
10207704	CONTROL, INTEGRATED
10809201	FILTER (QTY AR)
10735201	FLAME, SENSOR
10735002	IGNITOR
10250808	LIMIT (M6)
10250807	LIMIT (M1)
10250802	LIMIT (M2, M3)
10250803	LIMIT (M4, M5)
10219704	MOTOR, BLOWER (M5, M6)
10219803	MOTOR, BLOWER (M2)
10219904	MOTOR, BLOWER (M4)
10220002	MOTOR, BLOWER (M1)
10219602	MOTOR, BLOWER (M3)
10716003	ORIFICE (QTY AR)
10195504	STANDPIPE BAG ASSEMBLY
B9276201	SWITCH, INTERLOCK
10207910	SWITCH, PRESSURE (M4, M5)
10207911	SWITCH, PRESSURE (M1, M2, M3, M6)
C6349701	TRANSFORMER
C6476905	VALVE, GAS
D6723302	WHEEL, BLOWER (M1, M2, M4)
D6723306	WHEEL, BLOWER (M3, M5, M6)

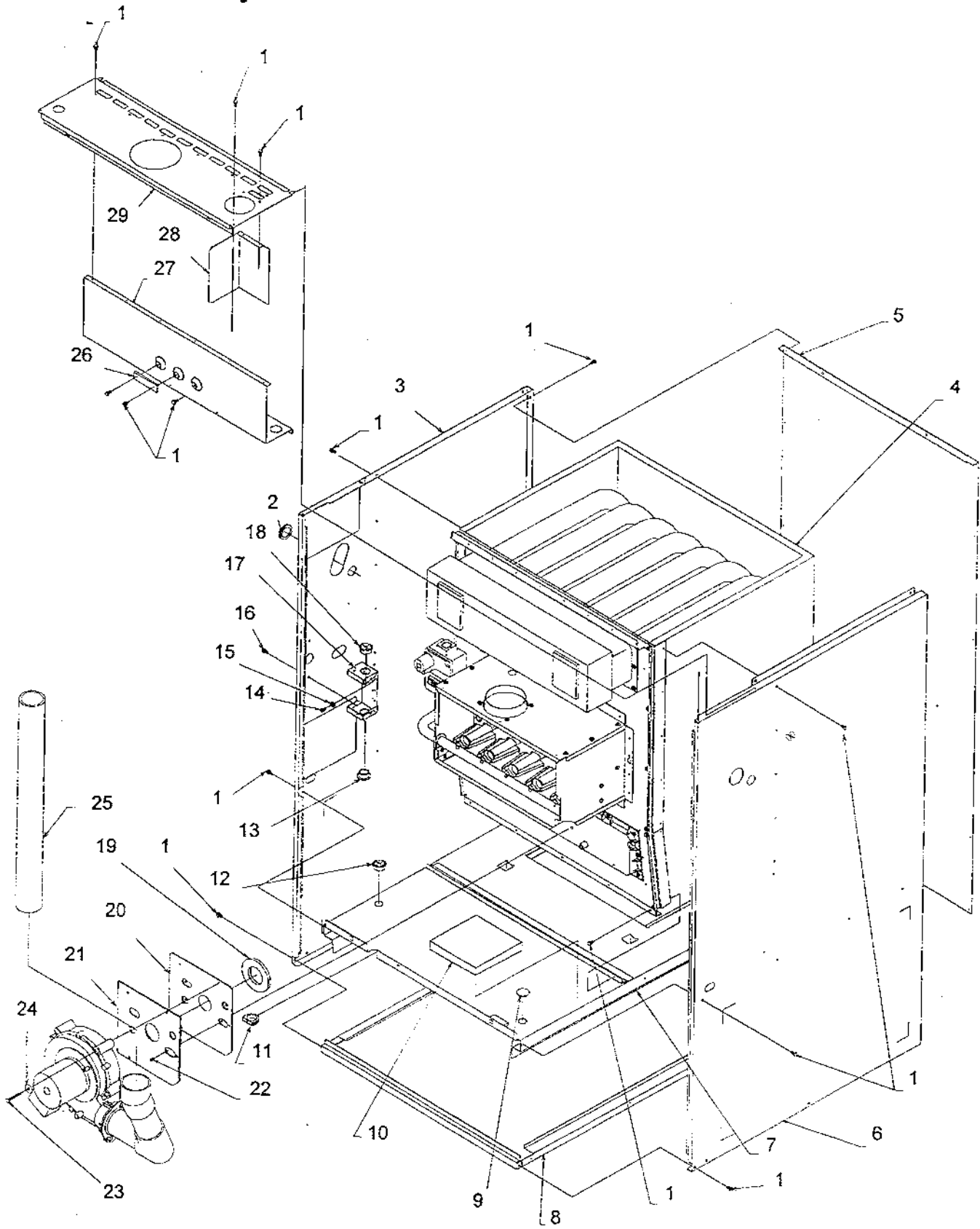
### SPECIAL PARTS

10318710S	INSTRUCTIONS-INSTALLATION
10772901S	INSTRUCTIONS-INSTALLATION
10318810S	MANUAL-USERS
RP6610007	PARTS MANUAL

### Expanded Model and Color Nomenclature

M1 - GUD045X30B	P1208001F
M2 - GUD070X30B	P1208002F
M3 - GUD070X40B	P1208003F
M4 - GUD090X35B	P1208004F
M5 - GUD090X50B	P1208005F
M6 - GUD115X50B	P1208006F

# Cabinet Assembly



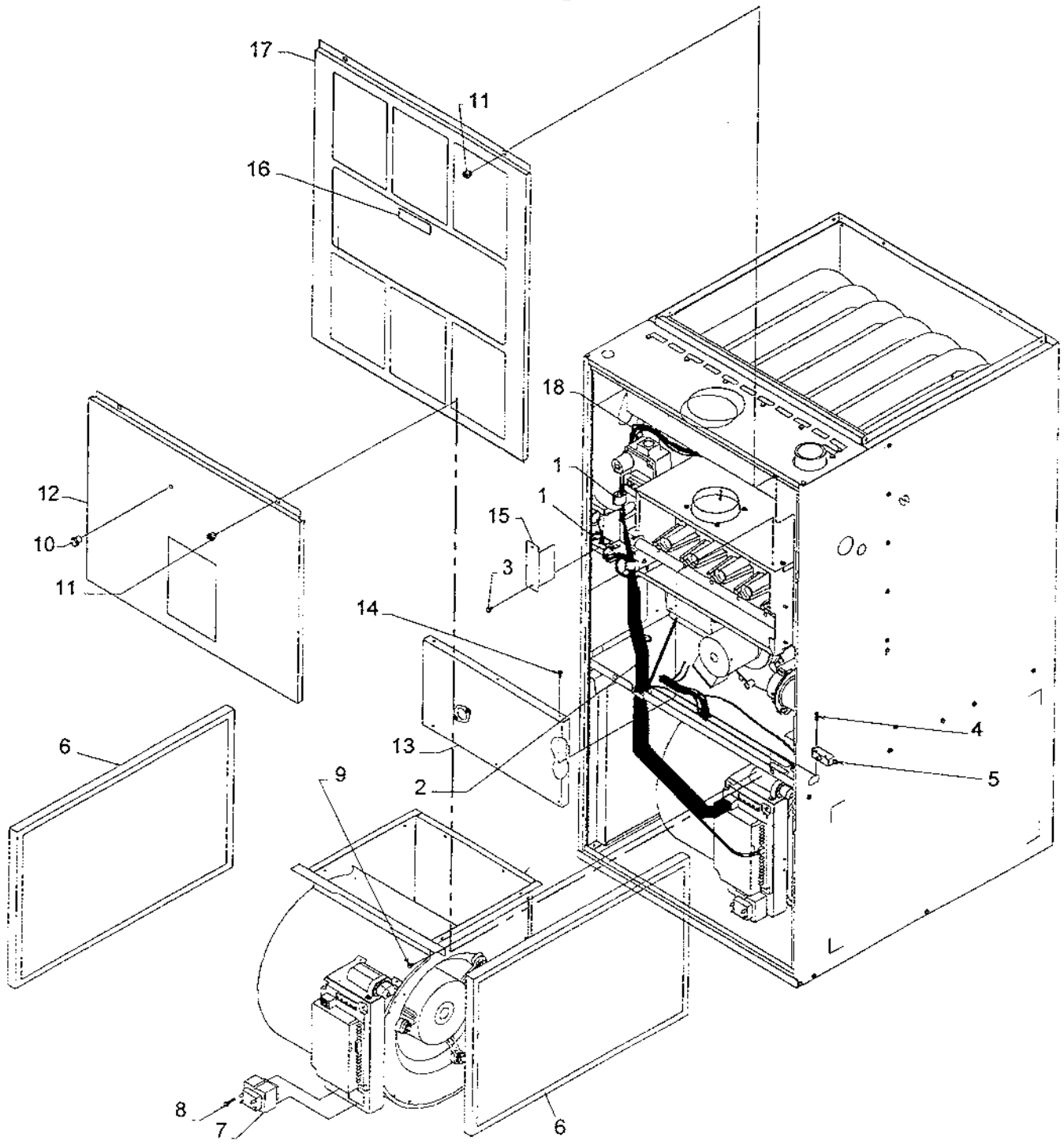
# Cabinet Assembly

Ref. Part No:	Ref. Part No:	Description:	Description:
1 M0219916		SCREW, SM (QTY AR)	
2 A4603801		GROMMET	
3 10452003		L SIDE PANEL	
4 C6415905		INSULATION, HEAT EXCHANGER (M2, M3)	
4 C6415904		INSULATION, HEAT EXCHANGER (M1)	
4 C6415906		INSULATION, HEAT EXCHANGER (M4, M5, M6)	
5 D9965706		BACK PANEL (M1)	
5 D9965705		BACK PANEL (M2, M3)	
5 D9965704		BACK PANEL (M4, M5, M6)	
6 10452403		R SIDE PANEL	
7 10204314		BLOWER DECK WELD (M5, M6)	
7 10204312		BLOWER DECK WELD (M3)	
7 10204311		BLOWER DECK WELD (M2)	
7 10204316		BLOWER DECK WELD (M4)	
7 10204310		BLOWER DECK WELD (M1)	
8 10568604		BASEPAN (M2, M3)	
8 10568606		BASEPAN (M1)	
8 10568602		BASEPAN (M4, M5, M6)	
9 M0310308		PLUG, WHITE BUTTON	
10 M0050227		BLOCK, FOAM	
11 A4568804		GROMMET, D	
12 M0571001		BUSHING, SNAP	
13 A4554801		BUSHING, SNAP	
14 M0227803		SCREW, TC	
15 M0270001		WASHER, CUP	
16 M0216716		SCREW, SM (QTY 7)	
17 10736102		BOX, HIGH VOLTAGE	
18 M0571002		BUSHING, SNAP	
19 D9875103		GASKET, FRONT COVER, PART B (M4, M5, M6)	
19 D9875102		GASKET, FRONT COVER, PART B (M2, M3)	
19 D9875101		GASKET, FRONT COVER, PART B (M1)	
20 D9986602		PLATE, BLOWER (AFTER SERIAL NUMBER 9602)	
20 D9986602		PLATE, BLOWER (PRIOR TO SERIAL NUMBER 9603)	
21 D9855802		GASKET, BLOWER PLATE	
22 M0228032		SCREW, TC (QTY 4)	
23 M0218152		SCREW, TC (QTY 4)	
24 M0270528		WASHER, FLAT (QTY 4)	
25 10195401		PIPE, PVC FLUE (M2, M3, M4, M5, M6)	
25 B1370920		PIPE, PVC STRAIGHT (M1)	
26 10261901		STRIP, SUPPORT	
27 10261801		SHIELD, AIR PIPE CO (M1)	
27 10261803		SHIELD, AIR PIPE CO (M4, M5, M6)	
27 10261802		SHIELD, AIR PIPE CO (M2, M3)	
28 C6455101		SHIELD, HEAT	
29 10236802		TOP COVER (M6)	
29 10236804		TOP COVER (M4, M5)	
29 10236806		TOP COVER (M2, M3)	
29 10236808		TOP COVER (M1)	

## Expanded Model and Color Nomenclature

M1 - GUD045X30B	P1208001F
M2 - GUD070X30B	P1208002F
M3 - GUD070X40B	P1208003F
M4 - GUD090X35B	P1208004F
M5 - GUD090X50B	P1208005F
M6 - GUD115X50B	P1208006F

# Cabinet Assembly and Blower Mounting



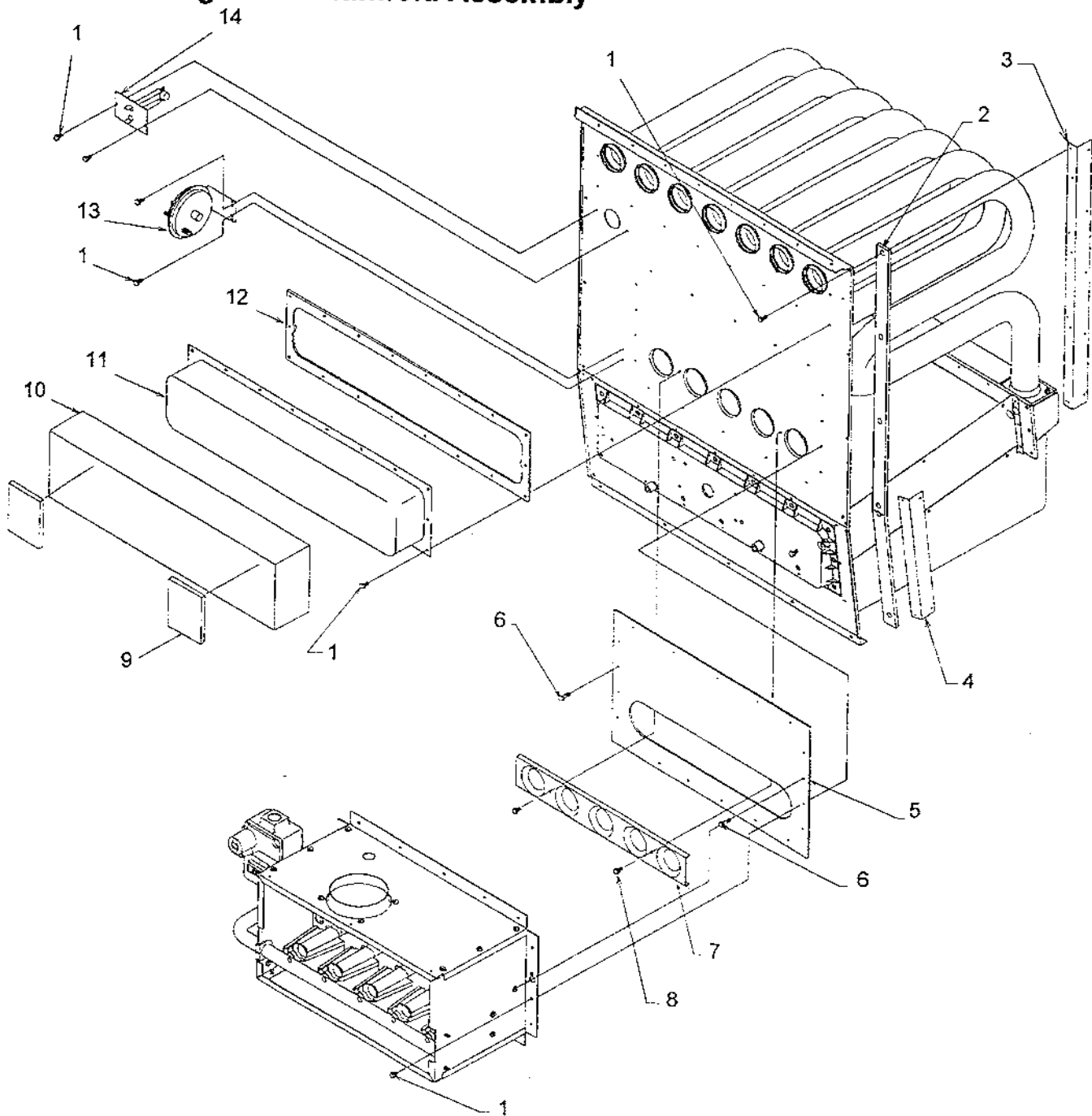
# Cabinet Assembly and Blower Mounting

Ref. Part No:	Part No:	Description:	Ref. Part No:	Part No:	Description:
1	M0104102	CLIP, CORD (QTY 2)			
2	11135306	HARNES, WIRING			
3	M0216529	SCREW, SM (M3, M5, M6)			
4	M0227525	SCREW, TC (QTY 2)			
5	B9276201	SWITCH, INTERLOCK			
6	10809201	FILTER (QTY AR)			
7	C6349701	TRANSFORMER			
8	M0216536	SCREW, SM (QTY 2)			
9	M0211018	SCREW, SM (QTY 2)			
10	B1388803	LATCH, 1/4 TURN (QTY 4)			
11	11104001	SNAP, BUSHING (CLEAR)			
12	D6979614	BLOWER DOOR (M1)			
12	D6979616	BLOWER DOOR (M2, M3)			
12	D6979618	BLOWER DOOR (M4, M5, M6)			
13	10249907	FRONT COVER ASSEMBLY (M2, M3)			
13	10249905	FRONT COVER ASSEMBLY (M6)			
13	10249908	FRONT COVER ASSEMBLY (M1)			
13	10249906	FRONT COVER ASSEMBLY (M4, M5)			
14	M0211016	SCREW, SM (QTY AR)			
15	10736201	COVER, HIGH VOLTAGE BOX			
16	10095404	NAMEPLATE, AMANA			
17	D6988009	ACCESS DOOR (M2, M3)			
17	D6988004	ACCESS DOOR (M1)			
17	D6988010	ACCESS DOOR (M4, M5, M6)			
18	M0321202	TIE, ELECTRIC (QTY 5)			
99	A9020401	RETAINER, FILTER (M1)			
99	A4617502	NUT, WIRE (QTY 2)			
99	A9020403	RETAINER, FILTER (M4, M5, M6)			
99	A9020402	RETAINER, FILTER (M2, M3)			

## Expanded Model and Color Nomenclature

M1 - GUD045X30B	P1208001F
M2 - GUD070X30B	P1208002F
M3 - GUD070X40B	P1208003F
M4 - GUD090X35B	P1208004F
M5 - GUD090X50B	P1208005F
M6 - GUD115X50B	P1208006F

# Heat Exchanger and Manifold Assembly



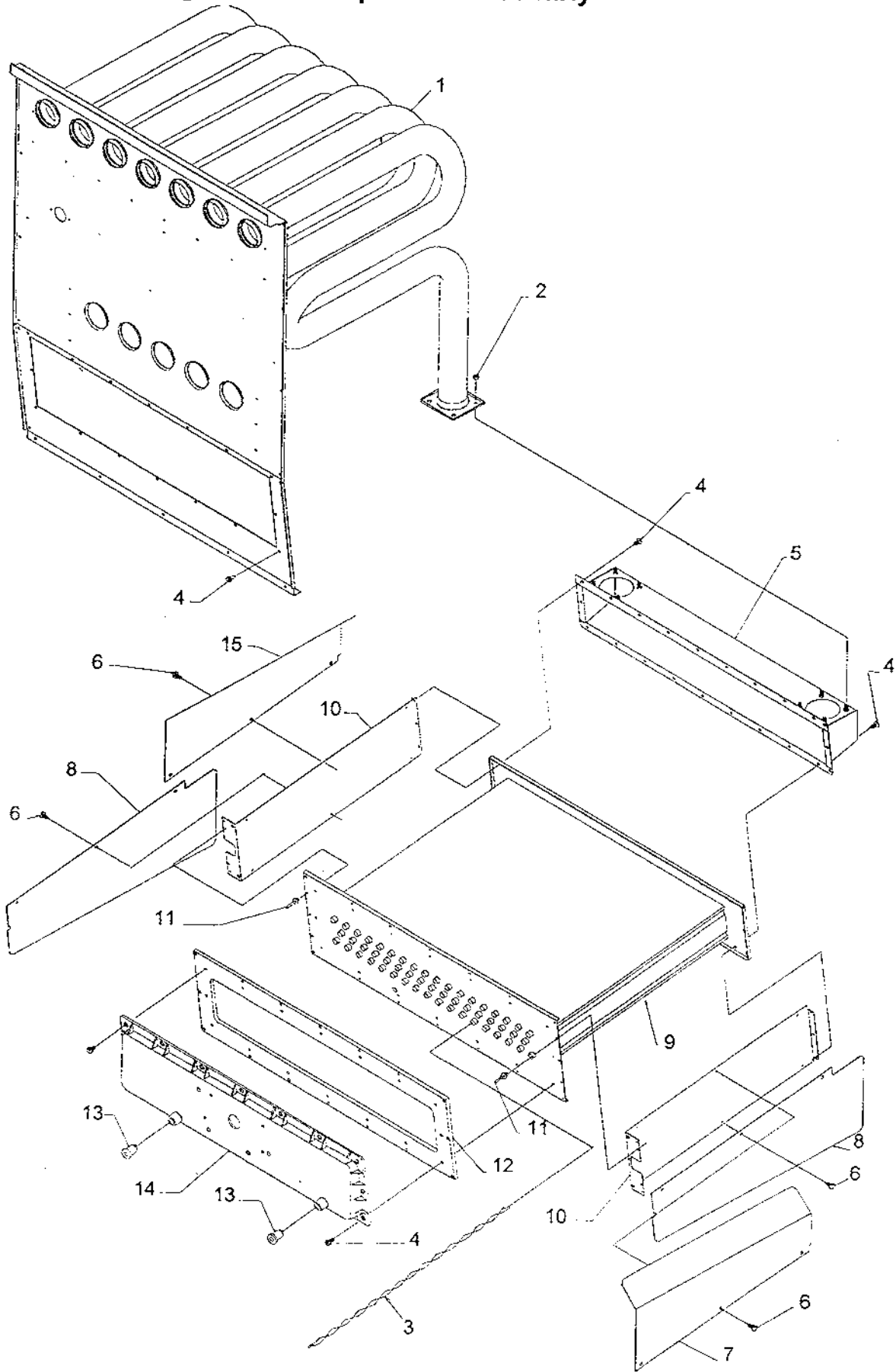
# Heat Exchanger and Manifold Assembly

Ref. Part No:	Ref. Part No:	Description:	Description:
1 M0219916		SCREW, SM (QTY AR)	
2 11066201		GASKET, PARTITION PANEL (QTY 2)	
3 D9992403		ANGLE, SUPPORT CO (QTY 2)	
4 C6449901		ANGLE, SUPPORT CO (QTY 2)	
5 10250602		GASKET, FRESH AIR BOX (M2, M3)	
5 10250603		GASKET, FRESH AIR BOX (M4, M5)	
5 10250604		GASKET, FRESH AIR BOX (M6)	
5 10250601		GASKET, FRESH AIR BOX (M1)	
6 M0220757		SCREW, SHLDR (QTY 2)	
7 11072202		SHIELD, ORIFICE CO (M2, M3)	
7 11072201		SHIELD, ORIFICE CO (M1)	
7 11072203		SHIELD, ORIFICE CO (M4, M5)	
7 11072204		SHIELD, ORIFICE CO (M6)	
8 M0211020		SCREW, SM (QTY AR)	
9 C6430402		INSULATION (QTY 2)	
10 D9987602		INSULATION, COLLECTOR BOX (M4, M5, M6)	
10 D9987601		INSULATION, COLLECTOR BOX (M1, M2, M3)	
11 D9981101		BOX, COLLECTOR (M4, M5, M6)	
11 D9981001		BOX, COLLECTOR (M1, M2, M3)	
12 D9983002		GASKET, COLLECTOR BOX (M4, M5, M6)	
12 D9983001		GASKET, COLLECTOR BOX (M1, M2, M3)	
13		SWITCH, PRESSURE (SEE PAGE 18 & 19)	
14 10250802		LIMIT (M2, M3)	
14 10250807		LIMIT (M1)	
14 10250808		LIMIT (M6)	
14 10250803		LIMIT (M4, M5)	

## Expanded Model and Color Nomenclature

M1 - GUD045X30B	P1208001F
M2 - GUD070X30B	P1208002F
M3 - GUD070X40B	P1208003F
M4 - GUD090X35B	P1208004F
M5 - GUD090X50B	P1208005F
M6 - GUD115X50B	P1208006F

# Heat Exchanger and Recupe Coil Assembly



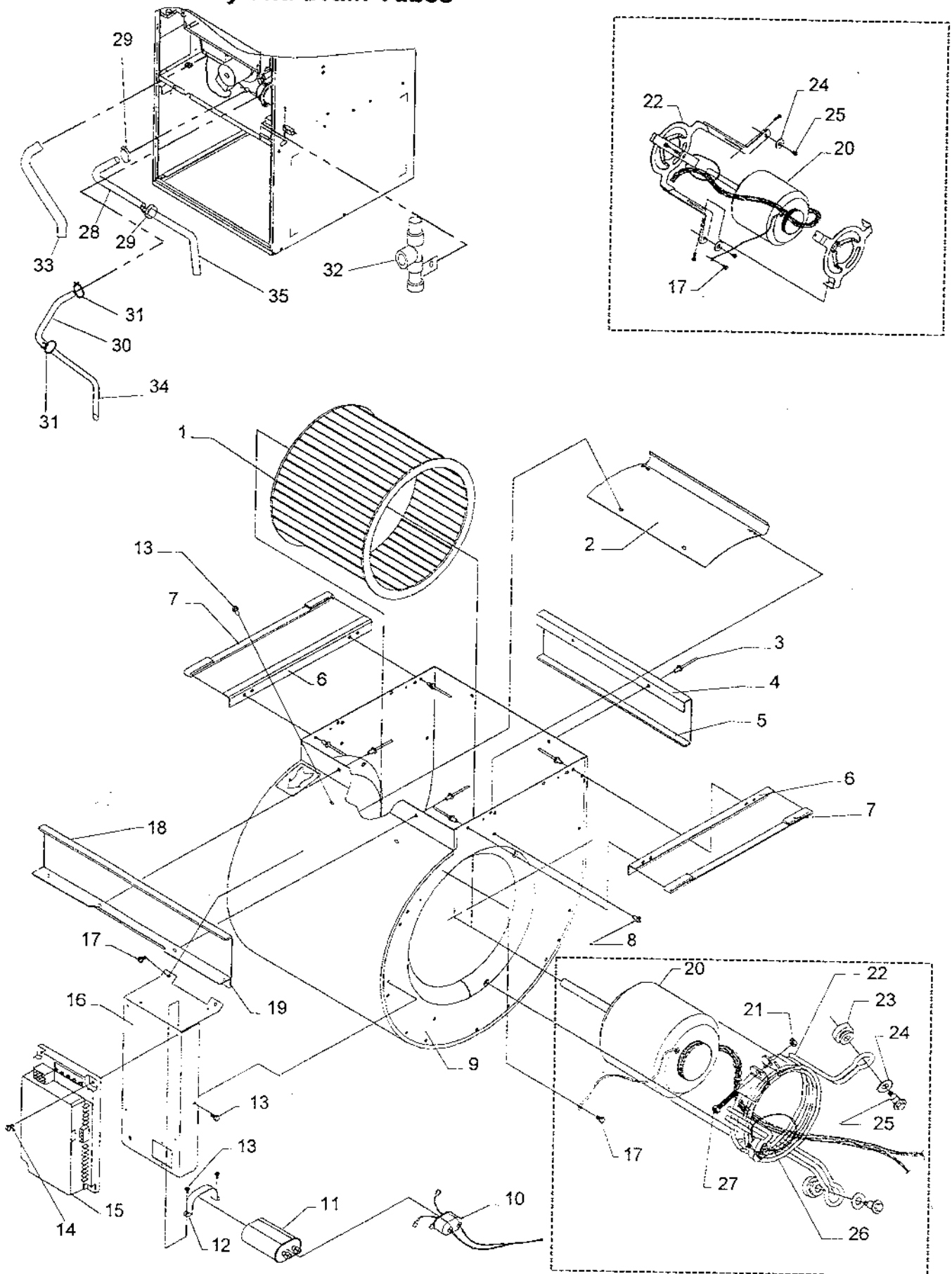
# Heat Exchanger and Recupe Coil Assembly

Ref. Part No:	Ref. Part No:	Description:	Description:
1		PARTITION/TUBE ASSEMBLY (NOT SERVICEABLE)	
2	M0282010	NUT, KEPS (QTY AR)	
3	11086002	TURBULATOR (M4, M5, M6)	
3	11086002	TURBULATOR (M1)	
3	11086002	TURBULATOR (M2, M3)	
4	M0211031	SCREW, SM (QTY AR)	
5		RECUPERATOR COVER WELD (NOT SERVICEABLE)	
6	M0219916	SCREW, SM (QTY 12)	
7	10241502	EXTENSION, SHIELD	
8	10220602	SKIRT, SHIELD (QTY 2)	
9		RECUPERATOR/TURBULATOR ASSEMBLY (NOT SERVICEABLE)	
10	10220503	SHIELD, COIL (QTY 2)	
11	A4539606	RIVET, POP (QTY 4)	
12	D9875102	GASKET, FRONT COVER, PART A (M2, M3)	
12	D9875101	GASKET, FRONT COVER, PART A (M1)	
12	D9875103	GASKET, FRONT COVER, PART A (M4, M5, M6)	
13	M0326804	PLUG, TUBE (QTY 2)	
14	10197204	COVER, FRONT RECUPERATOR (M4, M5)	
14	10197103	COVER, FRONT RECUPERATOR (M2, M3)	
14	10197005	COVER, FRONT RECUPERATOR (M1)	
14	10197205	COVER, FRONT RECUPERATOR (M6)	
15	10241503	EXTENSION, SHIELD CO	

## Expanded Model and Color Nomenclature

M1 - GUD045X30B	P1208001F
M2 - GUD070X30B	P1208002F
M3 - GUD070X40B	P1208003F
M4 - GUD090X35B	P1208004F
M5 - GUD090X50B	P1208005F
M6 - GUD115X50B	P1208006F

# Blower Assembly and Drain Tubes



# Blower Assembly and Drain Tubes

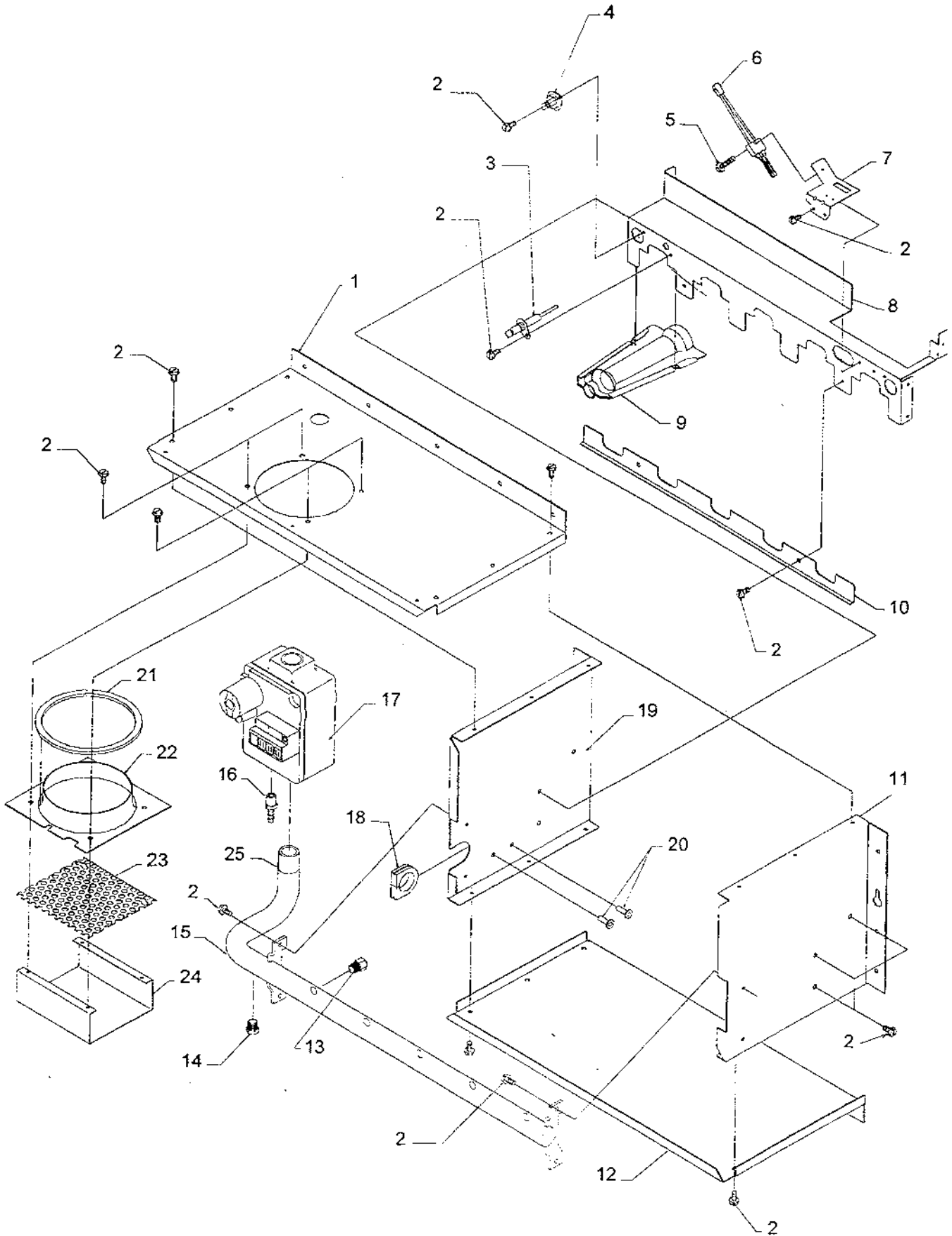
Ref. Part No:	Description:
1 D6723306	WHEEL, BLOWER (M3, M5, M6)
1 D6723302	WHEEL, BLOWER (M1, M2, M4)
2 C6121810	CUTOFF CO (M1, M2, M4)
2 C6121807	CUTOFF CO (M3, M5, M6)
3 A4539611	RIVET, POP (QTY 8)
4 C6392833	ANGLE, BLOWER CO (M3, M5, M6)
4 C6392834	ANGLE, BLOWER CO (M1, M2, M4)
5 B1136502	FELT, BACK (M1, M2, M4)
5 B1136519	FELT, FRONT (M3, M5, M6)
6 C6392906	ANGLE, BLOWER (QTY 2)
7 B1136517	FELT, SIDE (QTY 2)
8 M0211020	SCREW, SM (QTY 2)
9 10324224	BLOWER HOUSING (M3, M5, M6)
9 10324220	BLOWER HOUSING (M1, M2, M4)
10 A3375801	CAPACITOR, BOOT (PRIOR TO SERIAL NUMBER 9602)
11 10099901	CAPACITOR (M1, M2)
11 D6859325	CAPACITOR (M3)
11 10099902	CAPACITOR (M4)
11 D6879739	CAPACITOR (M5, M6)
12 A3410501	STRAP, CAPACITOR (M5, M6)
12 A4055402	STRAP, CAPACITOR (M1, M2, M3, M4)
13 M0219916	SCREW, SM (QTY 5)
14 M0216531	SCREW, SM (QTY AR)
15 10207704	CONTROL, INTEGRATED
16 10746201	BRACKET, CONTROL
17 M0233716	SCREW, SD (QTY 3)
18 B1136518	FELT, SIDE (M3, M5, M6)
18 B1136519	FELT, FRONT (M1, M2, M4)
19 D9950103	ANGLE, BLOWER FRONT CO (M3, M5, M6)
19 D9950104	ANGLE, BLOWER FRONT CO (M1, M2, M4)
20 10219602	MOTOR, BLOWER (M3)
20 10219803	MOTOR, BLOWER (M2)
20 10219704	MOTOR, BLOWER (M5, M6)
20 10219904	MOTOR, BLOWER (M4)
20 10220002	MOTOR, BLOWER (M1)
21 M0282015	NUT, KEPS
22 C9443702	BRACKET, MOTOR MOUNT (M1, M2, M4)
22 C9443701	BRACKET, MOTOR MOUNT (M3, M5, M6)
23 A4002702	GROMMET (QTY 3)
24 M0274008	WASHER, FLAT (QTY 3)
25 M0221461	SCREW, TC (QTY 3)
26 M0321202	TIE, ELECTRIC
27 M0267144	SCREW, MACH
28 10194301	HOSE, DRAIN
29 M0119207	CLAMP, HOSE (QTY 2)
30 10220701	HOSE, R DRAIN
31 M0119206	CLAMP, HOSE (QTY 2)
32 C6458404	STANDPIPE ASSEMBLY
33 10220801	HOSE, L DRAIN
34 10194601	TUBE, DRAIN
35 10194501	TUBE, DRAIN
99 M0102318	CLAMP, TUBE
99 A3326006	CLAMP, HOSE (QTY 2)
99 10254302	COUPLING, RUBBER

Ref. Part No: No: Description:

## Expanded Model and Color Nomenclature

M1 - GUD045X30B	P1208001F
M2 - GUD070X30B	P1208002F
M3 - GUD070X40B	P1208003F
M4 - GUD090X35B	P1208004F
M5 - GUD090X50B	P1208005F
M6 - GUD115X50B	P1208006F

# Manifold Assembly



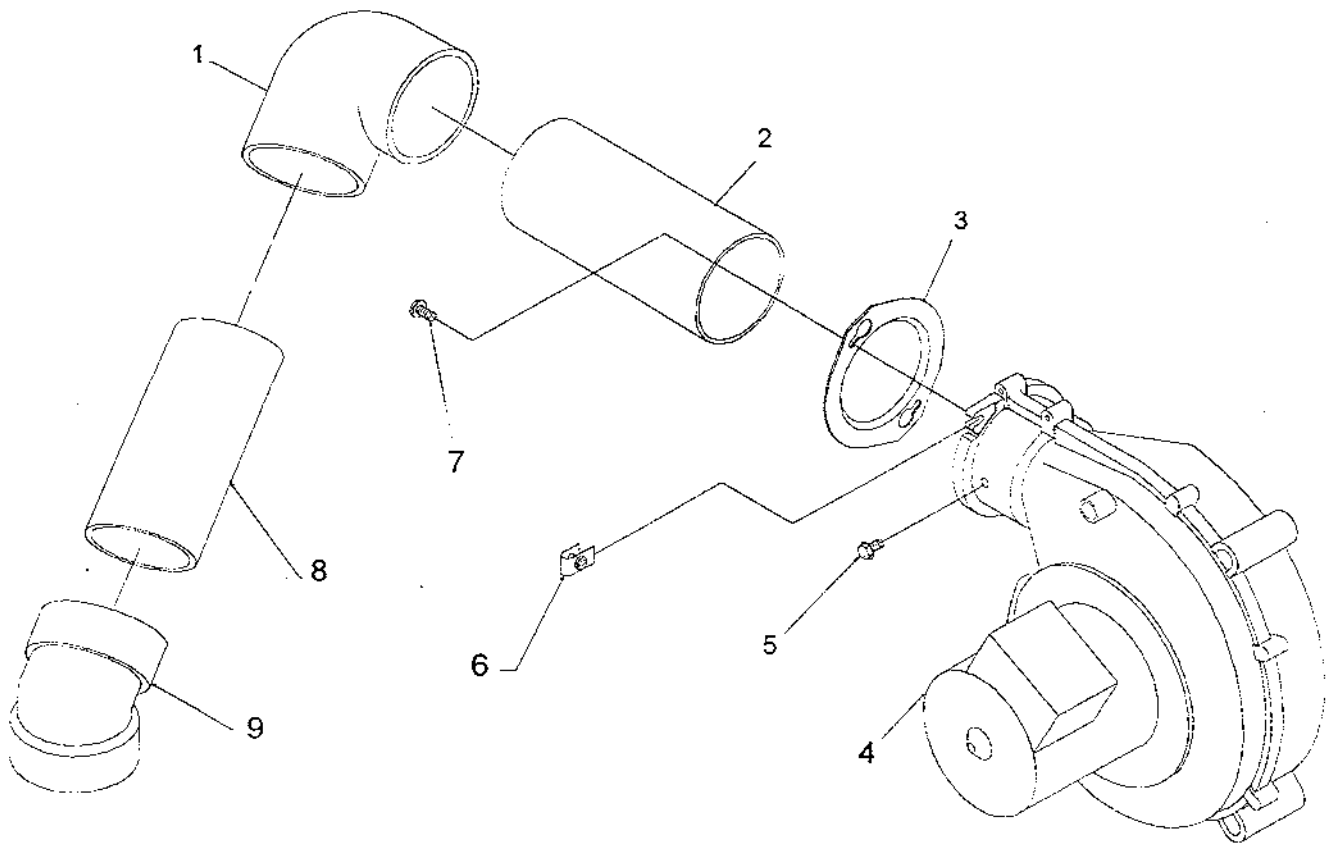
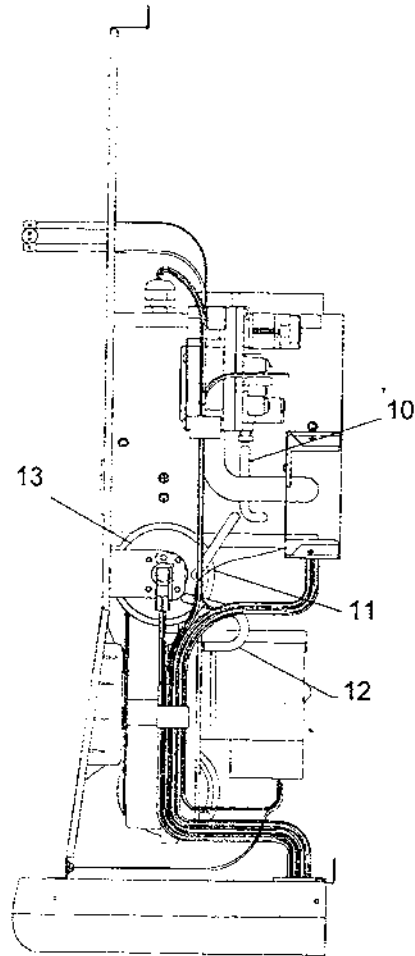
# Manifold Assembly

Ref. Part No:	Part No:	Description:	Ref. Part No:	Part No:	Description:
1	10237009	TOP, FRESH AIR BOX (M1)			
1	10237011	TOP, FRESH AIR BOX (M4, M5)			
1	10237010	TOP, FRESH AIR BOX (M2, M3)			
1	10237012	TOP, FRESH AIR BOX (M6)			
2	M0216529	SCREW, SM (QTY AR)			
3	10735201	FLAME, SENSOR			
4	10123509	LIMIT, RESET MANUAL			
5	M0216519	SCREW, SM			
6	10735002	IGNITOR			
7	11008703	BRACKET, SENSOR			
8	11008101	BRACKET, BURNER (M1)			
8	10734702	BRACKET, LOCK BURNER CO (M2, M3)			
8	10734703	BRACKET, LOCK BURNER CO (M4, M5)			
8	10734704	BRACKET, LOCK BURNER CO (M6)			
9	10735102	BECKETT BURNER (QTY AR)			
10	11008104	BRACKET, BURNER (M6)			
10	11008103	BRACKET, BURNER (M4, M5)			
10	11008102	BRACKET, BURNER (M2, M3)			
10	10734701	BRACKET, LOCK BURNER (M1)			
11	10237502	SIDE, R FRESH AIR BOX			
12	10237007	BOTTOM, FRESH AIR BOX CO (M2, M3)			
12	10237005	BOTTOM, FRESH AIR BOX CO (M6)			
12	10237008	BOTTOM, FRESH AIR BOX CO (M1)			
12	10237006	BOTTOM, FRESH AIR BOX CO (M4, M5)			
13	10716003	ORIFICE (QTY AR)			
14	M0750101	PLUG, PIPE			
15	10249703	MANIFOLD (M2, M3)			
15	10249702	MANIFOLD (M4, M5)			
15	10249701	MANIFOLD (M6)			
15	10249704	MANIFOLD (M1)			
16	10218701	HOSE, BARB			
17	C6476905	VALVE, GAS			
18	A4568803	GROMMET, D			
19	10238602	SIDE, L FRESH AIR BOX			
20	A4539628	RIVET, POP (QTY 2)			
21	10249601	GASKET, FRESH AIR EXTRUSION			
22	10238801	EXTRUSION, FRESH AIR PIPE			
23	10249501	BAFFLE, FLUE			
24	10238702	BAFFLE, FRESH AIR PIPE			
25	M0275592	SEALER, PIPE (QTY AR)			

## Expanded Model and Color Nomenclature

M1 - GUD045X30B	P1208001F
M2 - GUD070X30B	P1208002F
M3 - GUD070X40B	P1208003F
M4 - GUD090X35B	P1208004F
M5 - GUD090X50B	P1208005F
M6 - GUD115X50B	P1208006F

# Pressure Controls



# Pressure Controls

Ref. Part No:	Part No:	Description:	Ref. Part No:	Part No:	Description:
1	C6458203	ELBOW, CUTOFF (M1)			
1	10241601	ELBOW, PVC (M2, M3, M4, M5, M6)			
2	B1370921	PIPE, PVC STRAIGHT (M2, M3, M4, M5, M6)			
2	B1370917	PIPE, PVC STRAIGHT (M1)			
3	D9849601	COLLAR, PIPE			
4	D9868607	BLOWER, INDUCED DRAFT			
5	M0236717	SCREW, SM			
6	M0283201	NUT, U TYPE SPEED (QTY 2)			
7	M0200304	SCREW, MACH (QTY 2)			
8	B1370923	PIPE, PVC STRAIGHT (M1)			
9	C6455901	ELBOW, 22 1/2 ELL (M1)			
10	B1410306	HOSE, PRESSURE SWITCH			
11	B1410308	HOSE, PRESSURE SWITCH (M1, M2, M3, M6)			
12	B1410308	HOSE, PRESSURE SWITCH (M4, M5) (QTY AR)			
12	B1410309	HOSE, PRESSURE SWITCH (M1, M2, M3)			
12	B1410310	HOSE, PRESSURE SWITCH (M6)			
13	10207910	SWITCH, PRESSURE (M4, M5)			
13	10207911	SWITCH, PRESSURE (M1, M2, M3, M6)			

## Expanded Model and Color Nomenclature

M1 - GUD045X30B	P1208001F
M2 - GUD070X30B	P1208002F
M3 - GUD070X40B	P1208003F
M4 - GUD090X35B	P1208004F
M5 - GUD090X50B	P1208005F
M6 - GUD115X50B	P1208006F