

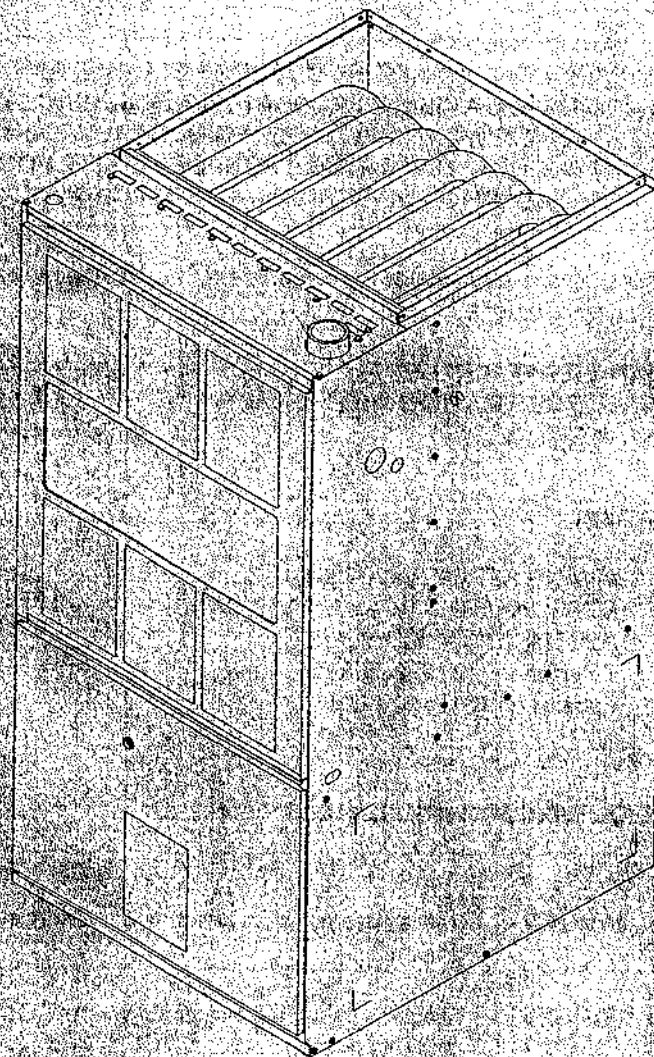
Models and manufacturing
numbers in this manual

GUX045X30B P1207801F
GUX070X30B P1207802F
GUX070X30BI P1209302F ●
GUX070X40B P1207803F
GUX090X35B P1207804F
GUX090X50B P1207805F
GUX115X50B P1207806F

Parts

GUX Gas Furnace

Parts Manual for
Amana®



This manual is to be used by qualified appliance technicians only. Amana Refrigeration Inc. does not assume any responsibility for property damage or personal injury for improper service procedures done by an unqualified person.

Amana
A Raytheon Company

RP661006

Revision 0

February 1996

Important Information

Pride and workmanship go into every product to provide our customers with quality products. It is possible, however, that during its lifetime a product may require service. Products should be serviced only by a qualified service technician who is familiar with the safety procedures required in the repair and who is equipped with the proper tools, parts, testing instruments and the appropriate service manual.
REVIEW ALL SERVICE INFORMATION IN THE APPROPRIATE SERVICE MANUAL BEFORE BEGINNING REPAIRS.

Important Notices



IF REPAIRS ARE ATTEMPTED BY UNQUALIFIED PERSONS, DANGEROUS CONDITIONS (SUCH AS EXPOSURE TO ELECTRICAL SHOCK) MAY RESULT. THIS MAY CAUSE SERIOUS INJURY OR DEATH.



AMANA WILL NOT BE RESPONSIBLE FOR ANY INJURY OR PROPERTY DAMAGE ARISING FROM IMPROPER SERVICE OR SERVICE PROCEDURES. IF YOU PERFORM SERVICE ON YOUR OWN PRODUCT, YOU ASSUME RESPONSIBILITY FOR ANY PERSONAL INJURY OR PROPERTY DAMAGE WHICH MAY RESULT.

To locate an authorized servicer, please consult your telephone book or the dealer from whom you purchased this product. For further assistance, please contact:

CONSUMER AFFAIRS DEPT OR 1-319-622-5511
AMANA REFRIGERATION, INC. CALL and ask for
AMANA, IOWA 52204 Consumer Affairs

If outside the United States contact:

AMANA REFRIGERATION, INC.
ATTN: INTERNATIONAL DIVISION
AMANA, IOWA 52204 USA
Telephone: (319) 622-5511
Facsimile: (319) 622-2180

RECOGNIZE SAFETY SYMBOLS, WORDS AND LABELS



DANGER - Immediate hazards which WILL result in severe personal injury or death.



WARNING - Hazards or unsafe practices which COULD result in severe personal injury or death.



CAUTION - Hazards or unsafe practices which COULD result in minor personal injury or product or property damage.

Index

FUNCTIONAL PARTS LIST	4 - 5
ILLUSTRATION AND PARTS	6 - 19

Text Codes:

98 - As Required

99 - Not Shown

QTY - Quantity Example (QTY 3) (If Quantity not shown, Quantity = 1)

M - Model Example (M1) (If M Code not shown, then part is used on all Models)

Expanded Model and Color Nomenclature:

M1 - GUX045X30B	P1207801F
M2 - GUX070X30B	P1207802F
M3 - GUX070X40B	P1207803F
M4 - GUX090X35B	P1207804F
M5 - GUX090X50B	P1207805F
M6 - GUX115X50B	P1207806F
M7 - GUX070X30BI	P1209302F

Functional Parts

Part No:	Description:
10735102	BECKETT BURNER (QTY AR)
10099901	CAPACITOR (M1, M2, M7)
D6879739	CAPACITOR (M5, M6)
10099902	CAPACITOR (M4)
D6859325	CAPACITOR (M3)
A3375801	CAPACITOR, BOOT (PRIOR TO SERIAL NUMBER 9602)
10207707	CONTROL, INTEGRATED (M7)
10207704	CONTROL, INTEGRATED (M1, M2, M3, M4, M5, M6)
10809201	FILTER (QTY AR)
10735201	FLAME, SENSOR
10735002	IGNITOR (M1, M2, M3, M4, M5, M6)
11111701	IGNITOR (M7)
10250815	LIMIT (M6)
10250808	LIMIT (M5)
10250802	LIMIT (M1, M2, M7)
10250803	LIMIT (M4)
10250807	LIMIT (M3)
10123503	LIMIT, RESET MANUAL
10219803	MOTOR, BLOWER (M2, M7)
10219704	MOTOR, BLOWER (M5, M6)
10219905	MOTOR, BLOWER (M4)
10220002	MOTOR, BLOWER (M1)
10219602	MOTOR, BLOWER (M3)
10195506	STANDPIPE BAG ASSEMBLY
B9276201	SWITCH, INTERLOCK
11111904	SWITCH, PRESSURE (M1)
11111903	SWITCH, PRESSURE (M2, M3, M4, M5, M6, M7)
	SWITCH, PRESSURE (SEE PAGE 18 & 19)
C6349701	TRANSFORMER
C6476904	VALVE, GAS
D6723311	WHEEL, BLOWER (M6)
D6723306	WHEEL, BLOWER (M3, M5)
D6723302	WHEEL, BLOWER (M1, M2, M4, M7)

Functional Parts

Part

No: Description:

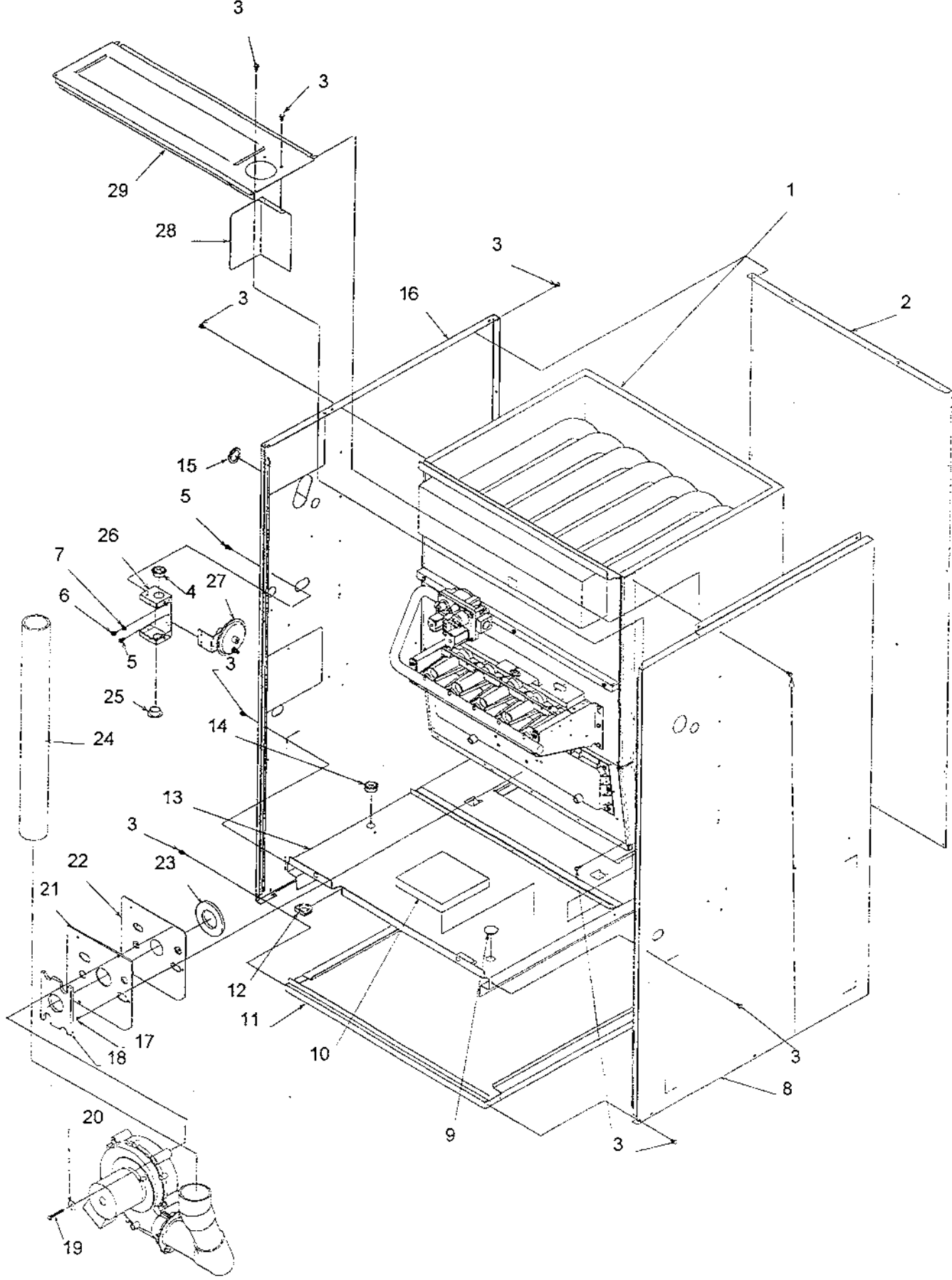
SPECIAL PARTS

11165501	DIAGRAM-WIRING
10318710	INSTRUCTIONS-INSTALLATION (M1, M2, M3, M4, M5, M6)
10318711	INSTRUCTIONS-INSTALLATION (M7)
10772901	INSTRUCTIONS-INSTALLATION (M1, M2, M3, M4, M5, M6)
10772903	INSTRUCTIONS-INSTALLATION (M7)
10318810	MANUAL-USERS (M1, M2, M3, M4, M5, M6)
10318811	MANUAL-USERS (M7)
RP6610006	PARTS MANUAL

Expanded Model and Color Nomenclature

M1 - GUX045X30B	P1207801F
M2 - GUX070X30B	P1207802F
M3 - GUX070X40B	P1207803F
M4 - GUX090X35B	P1207804F
M5 - GUX090X50B	P1207805F
M6 - GUX115X50B	P1207806F
M7 - GUX070X30BI	P1209302F

Cabinet Assembly



Cabinet Assembly

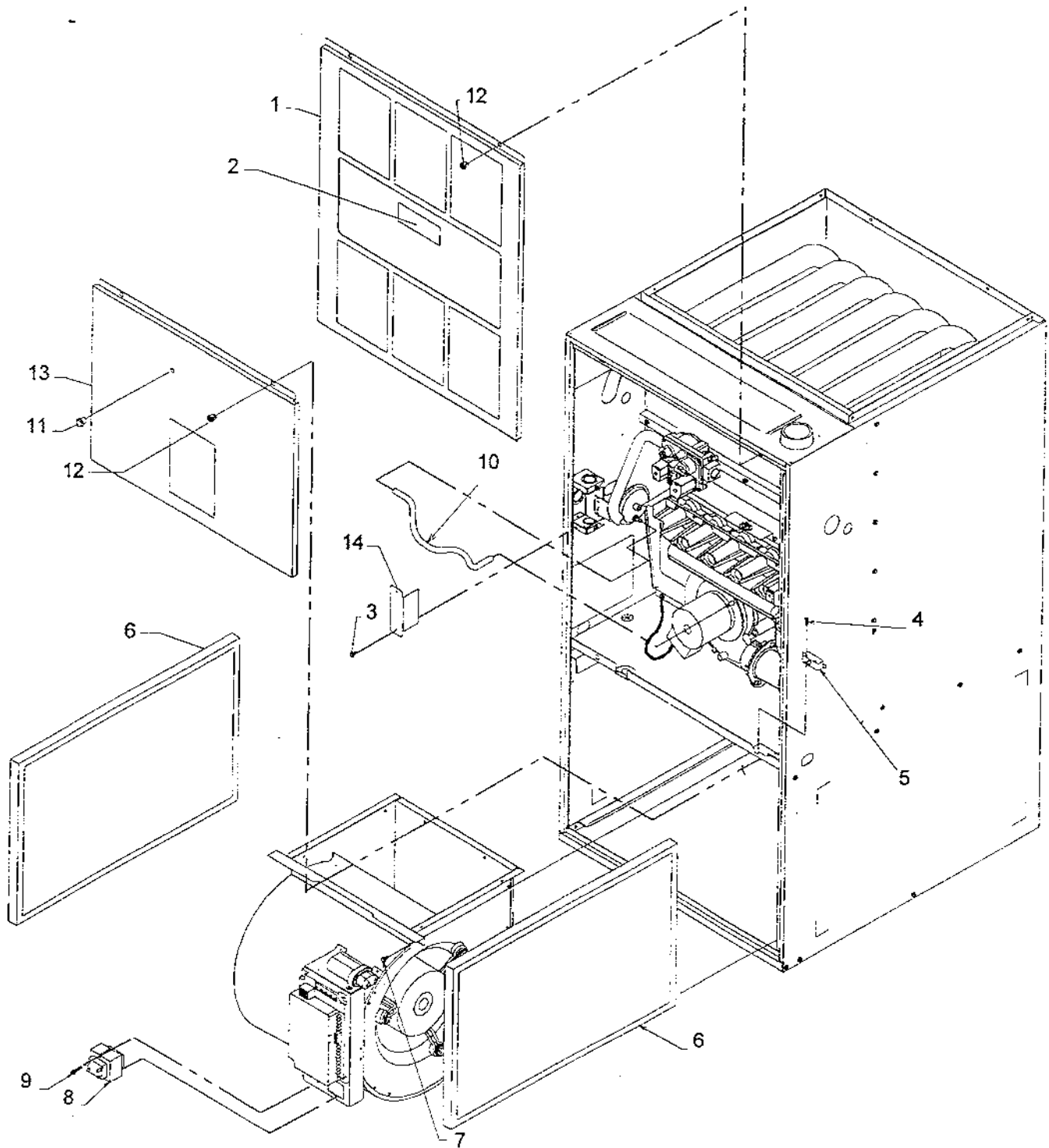
Ref. Part No:	Description:
1 C6415904	INSULATION, HEAT EXCHANGER (M1)
1 C6415905	INSULATION, HEAT EXCHANGER (M2, M3, M7)
1 C6415906	INSULATION, HEAT EXCHANGER (M4, M5, M6)
2 D9965704	BACK PANEL (M4, M5, M6)
2 D9965706	BACK PANEL (M1)
2 D9965705	BACK PANEL (M2, M3, M7)
3 M0219916	SCREW, SM (QTY AR)
4 M0571002	BUSHING, SNAP
5 M0216716	SCREW, SM (QTY 2)
6 M0227803	SCREW, TC
7 M0270001	WASHER, CUP
8 10452403	RIGHT SIDE PANEL
9 M0310308	PLUG, WHITE BUTTON
10 M0050227	BLOCK, FOAM
11 10568606	BASEPAN (M1)
11 10568602	BASEPAN (M4, M5, M6)
11 10568604	BASEPAN (M2, M3, M7)
12 A4568804	GROMMET-D
13 10204315	BLOWER DECK WELD (M6)
13 10204311	BLOWER DECK WELD (M2, M7)
13 10204313	BLOWER DECK WELD (M4)
13 10204317	BLOWER DECK WELD (M1)
13 10204312	BLOWER DECK WELD (M3)
13 10204314	BLOWER DECK WELD (M5)
14 M0571001	BUSHING-SNAP
15 A4603801	GROMMET
16 10452003	LEFT SIDE PANEL
17 M0228032	SCREW, TC (QTY 4)
18 D9875103	GASKET, FRONT COVER (PART C) (M4, M5, M6)
18 D9875102	GASKET, FRONT COVER (PART C) (M2, M3, M7)
18 D9875101	GASKET, FRONT COVER (PART C) (M1)
19 M0218152	SCREW, TC (QTY 4)
20 M0270528	WASHER, FLAT (QTY 4)
21 D9855802	GASKET, BLOWER PLATE
22 D9986603	PLATE, BLOWER (SERIAL NUMBER 9603 AND AFTER)
22 D9986602	PLATE, BLOWER (PRIOR TO SERIAL NUMBER 9603)
23 D9875101	GASKET, FRONT COVER (PART B) (M1)
23 D9875102	GASKET, FRONT COVER (PART B) (M2, M3, M7)
23 D9875103	GASKET, FRONT COVER (PART B) (M4, M5, M6)
24 B1370920	PIPE, PVC STRAIGHT (M1)
24 10195401	PIPE, PVC FLUE (M2, M3, M4, M5, M6, M7)
25 A4554801	BUSHING, SNAP
26 10736102	BOX, HIGH VOLTAGE
27	SWITCH, PRESSURE (SEE PAGE 18 & 19)
28 C6455101	SHIELD, HEAT
29 D9985404	TOP COVER (M1)
29 D9985405	TOP COVER (M2, M3, M7)
29 D9985406	TOP COVER (M4, M5, M6)

Ref. Part No: Description:

Expanded Model and Color Nomenclature

M1 - GUX045X30B	P1207801F
M2 - GUX070X30B	P1207802F
M3 - GUX070X40B	P1207803F
M4 - GUX090X35B	P1207804F
M5 - GUX090X50B	P1207805F
M6 - GUX115X50B	P1207806F
M7 - GUX070X30BI	P1209302F

Cabinet Assembly and Blower Mounting



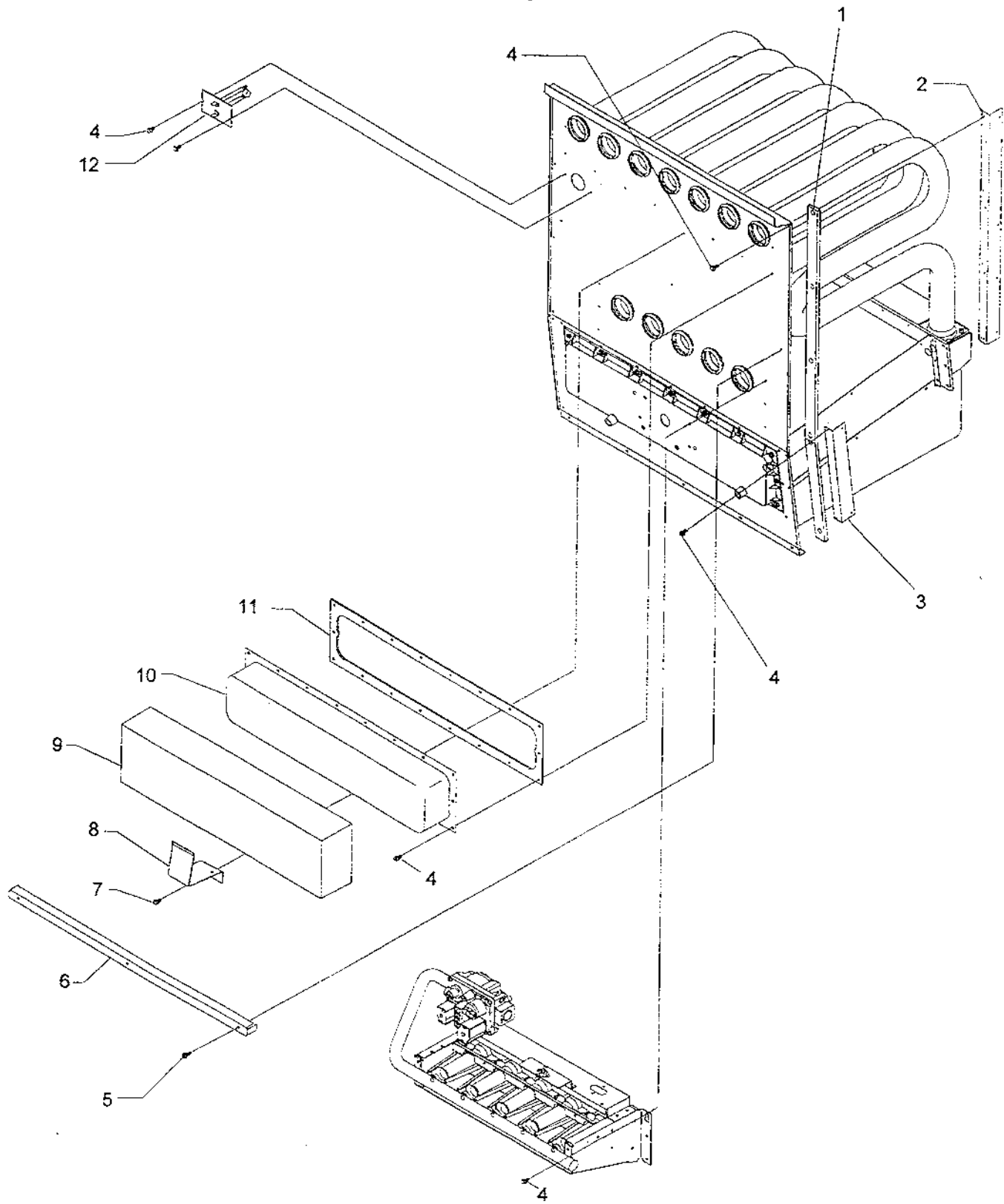
Cabinet Assembly and Blower Mounting

Ref. Part No:	Part No:	Description:	Ref. Part No:	Part No:	Description:
1	D6988010	ACCESS DOOR (M4, M5, M6)			
1	D6988009	ACCESS DOOR (M2, M3, M7)			
1	D6988004	ACCESS DOOR (M1)			
2	10095406	NAMEPLATE, AMANA			
3	M0216529	SCREW, SM (M3, M5)(QTY 3), (M1,M2, M4, M6, M7)(QTY 2)			
4	M0227525	SCREW, TC (QTY 2)			
5	B9276201	SWITCH, INTERLOCK			
6	10809201	FILTER (QTY AR)			
7	M0211018	SCREW, SM (QTY 2)			
8	C6349701	TRANSFORMER			
9	M0228032	SCREW, TC (QTY 2)			
10	B1410310	HOSE, PRESSURE SWITCH			
11	B1388803	LATCH, 1/4 TURN (QTY 4)			
12	11104001	SNAP, BUSHING CLEAR			
13	D6979616	BLOWER DOOR (M2, M3, M7)			
13	D6979614	BLOWER DOOR (M1)			
13	D6979618	BLOWER DOOR (M4, M5, M6)			
14	10736201	COVER, HIGH VOLTAGE BOX			
99	A9020402	RETAINER, FILTER (M2, M3, M7)			
99	A9020401	RETAINER, FILTER (M1)			
99	A9020403	RETAINER, FILTER (M4, M5, M6)			

Expanded Model and Color Nomenclature

M1 - GUX045X30B	P1207801F
M2 - GUX070X30B	P1207802F
M3 - GUX070X40B	P1207803F
M4 - GUX090X35B	P1207804F
M5 - GUX090X50B	P1207805F
M6 - GUX115X50B	P1207806F
M7 - GUX070X30BI	P1209302F

Heat Exchanger and Manifold Assembly



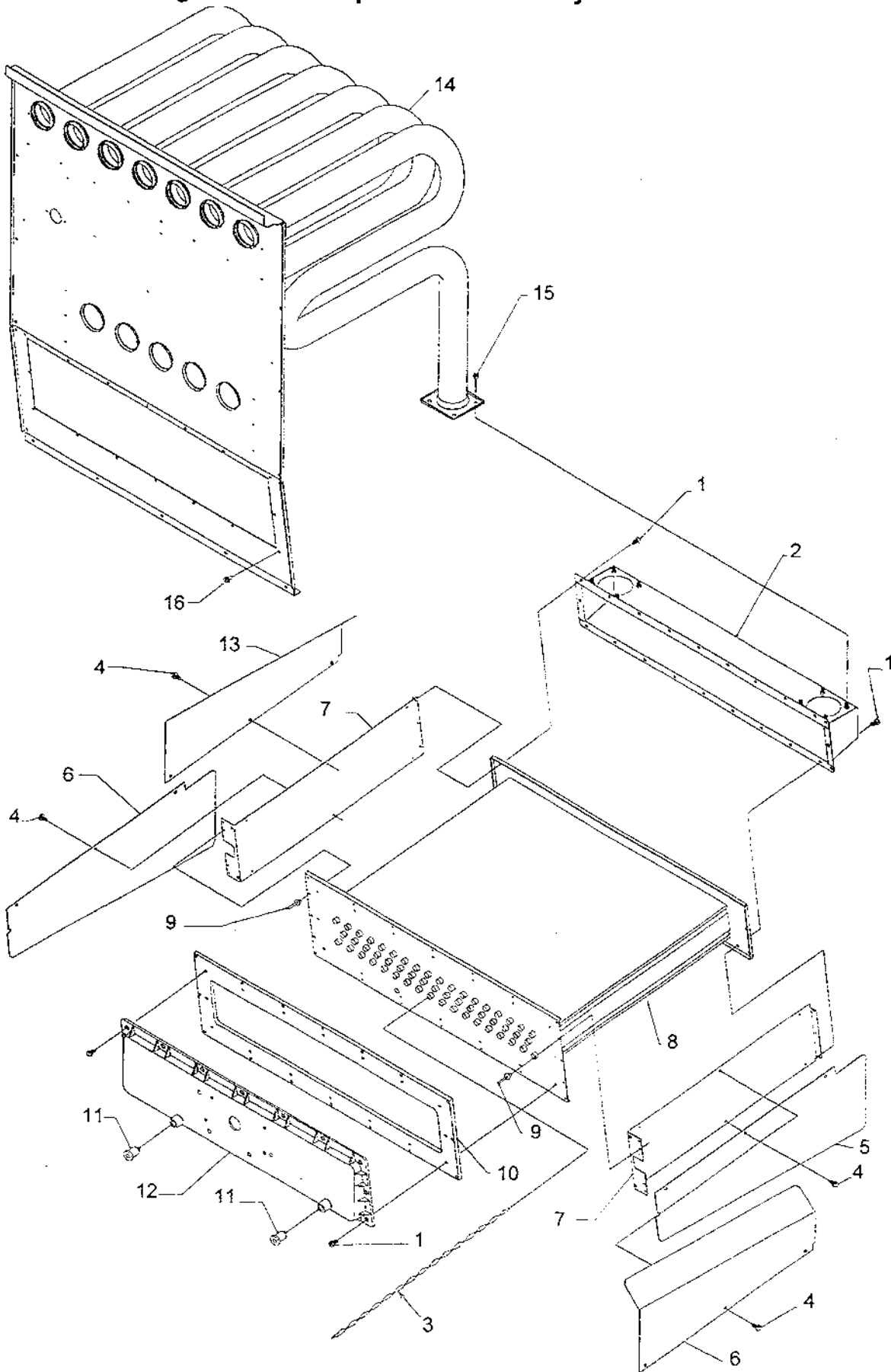
Heat Exchanger and Manifold Assembly

Ref. Part No:	Description:	Ref. Part No:	Description:
1 11066201	GASKET, PART PANEL (QTY 2)		
2 D9992403	ANGLE, SUPPORT (QTY 2)		
3 C6449901	ANGLE, SUPPORT (QTY 2)		
4 M0219916	SCREW, SM (QTY AR)		
5 M0211022	SCREW, SM (QTY 3)		
6 C6457402	STIFFENER, PANEL (M2, M3, M7)		
6 C6457403	STIFFENER, PANEL (M4, M5, M6)		
6 C6457401	STIFFENER, PANEL (M1)		
7 M0211016	SCREW, SM		
8 C6471201	BRACKET, INSULATION		
9 D9987602	INSULATION, COLLECTOR BOX (M4, M5, M6)		
9 D9987601	INSULATION, COLLECTOR BOX (M1, M2, M3, M7)		
10 D9981001	BOX, COLLECTOR (M1, M2, M3, M7)		
10 D9981101	BOX, COLLECTOR (M4, M5, M6)		
11 D9983001	GASKET, COLLECTOR BOX (M1, M2, M3, M7)		
11 D9983002	GASKET, COLLECTOR BOX (M4, M5, M6)		
12 10250807	LIMIT (M3)		
12 10250803	LIMIT (M4)		
12 10250808	LIMIT (M5)		
12 10250815	LIMIT (M6)		
12 10250802	LIMIT (M1, M2, M7)		

Expanded Model and Color Nomenclature

M1 - GUX045X30B	P1207801F
M2 - GUX070X30B	P1207802F
M3 - GUX070X40B	P1207803F
M4 - GUX090X35B	P1207804F
M5 - GUX090X50B	P1207805F
M6 - GUX115X50B	P1207806F
M7 - GUX070X30BI	P1209302F

Heat Exchanger and Recupe Coil Assembly



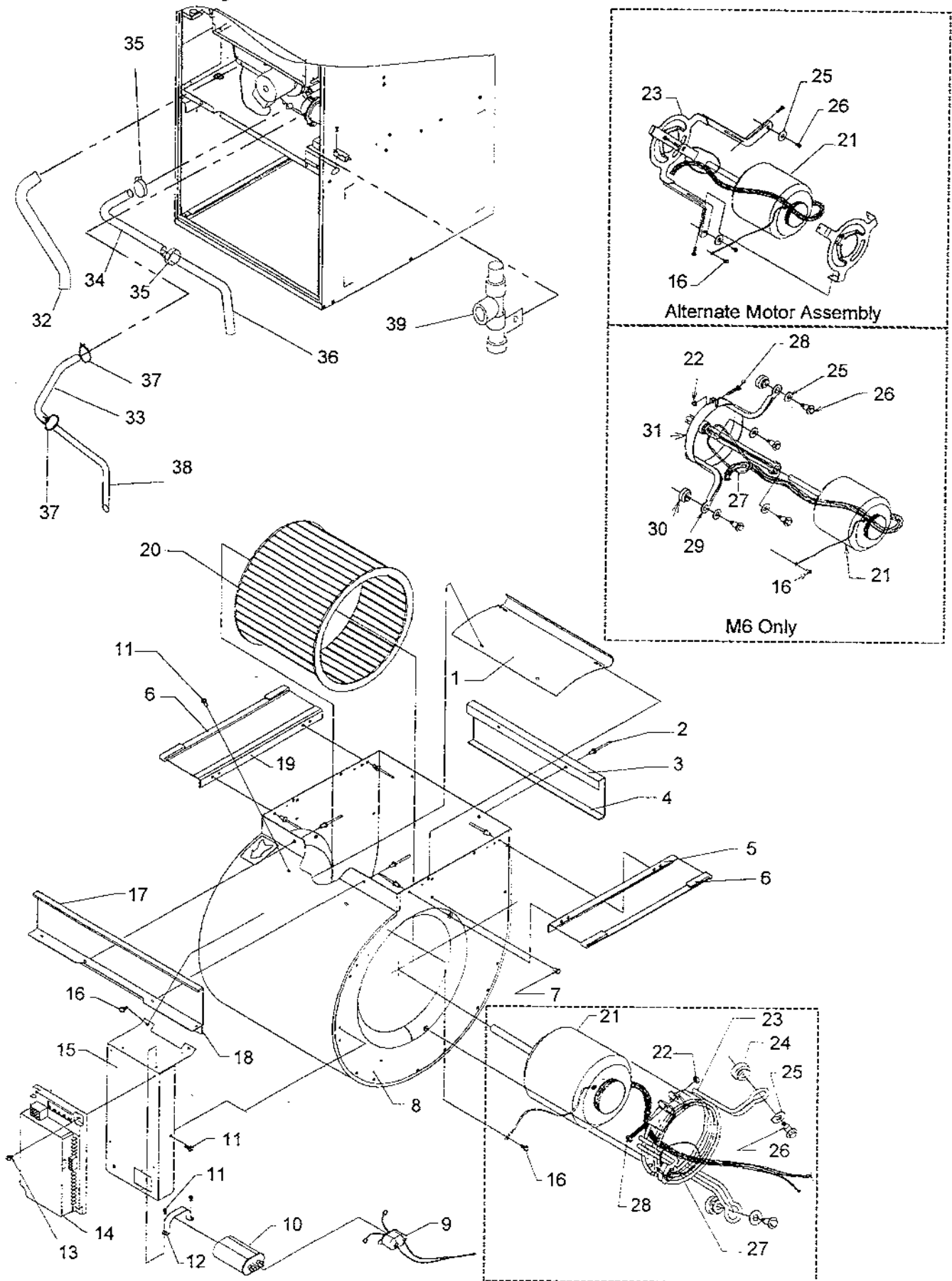
Heat Exchanger and Recupe Coil Assembly

Ref. Part No:	Part No:	Description:	Ref. Part No:	Part No:	Description:
1	M0211031	SCREW, SM (QTY AR)			
2		RECUPERATOR COVER (NOT SERVICEABLE)			
3	11086001	TURBULATOR (M1) (QTY 29)			
3	11086001	TURBULATOR (M2, M3, M7) (QTY 41)			
3	11086001	TURBULATOR (M4, M5, M6) (QTY 53)			
4	M0219916	SCREW, SM (QTY 12)			
5	10241502	EXTENSION, SHIELD			
6	10220602	SKIRT, SHIELD (QTY 2)			
7	10220503	SHIELD, COIL (QTY 2)			
8		RECUPE/TURB ASSEMBLY (NOT SERVICEABLE)			
9	A4539606	RIVET, POP (QTY 4)			
10	D9875102	GASKET, FRONT COVER (PART A) (M2, M3, M7)			
10	D9875101	GASKET, FRONT COVER (PART A) (M1)			
10	D9875103	GASKET, FRONT COVER (PART A) (M4, M5, M6)			
11	M0326804	PLUG, TUBE (QTY 2)			
12	10197202	COVER, FRONT RECUPERATOR (M6)			
12	10197201	COVER, FRONT RECUPERATOR (M4, M5)			
12	10197101	COVER, FRONT RECUPERATOR (M2, M3, M7)			
12	10197005	COVER, FRONT RECUPERATOR (M1)			
13	10241503	EXTENSION, SHIELD			
14		PARTITION/TUBE ASSEMBLY (NOT SERVICEABLE)			
15	M0282010	NUT, KEPS (QTY AR)			
16	M0211031	SCREW, SM (QTY AR)			

Expanded Model and Color Nomenclature

M1 - GUX045X30B	P1207801F
M2 - GUX070X30B	P1207802F
M3 - GUX070X40B	P1207803F
M4 - GUX090X35B	P1207804F
M5 - GUX090X50B	P1207805F
M6 - GUX115X50B	P1207806F
M7 - GUX070X30BI	P1209302F

Blower Assembly and Drain Tubes



Blower Assembly and Drain Tubes

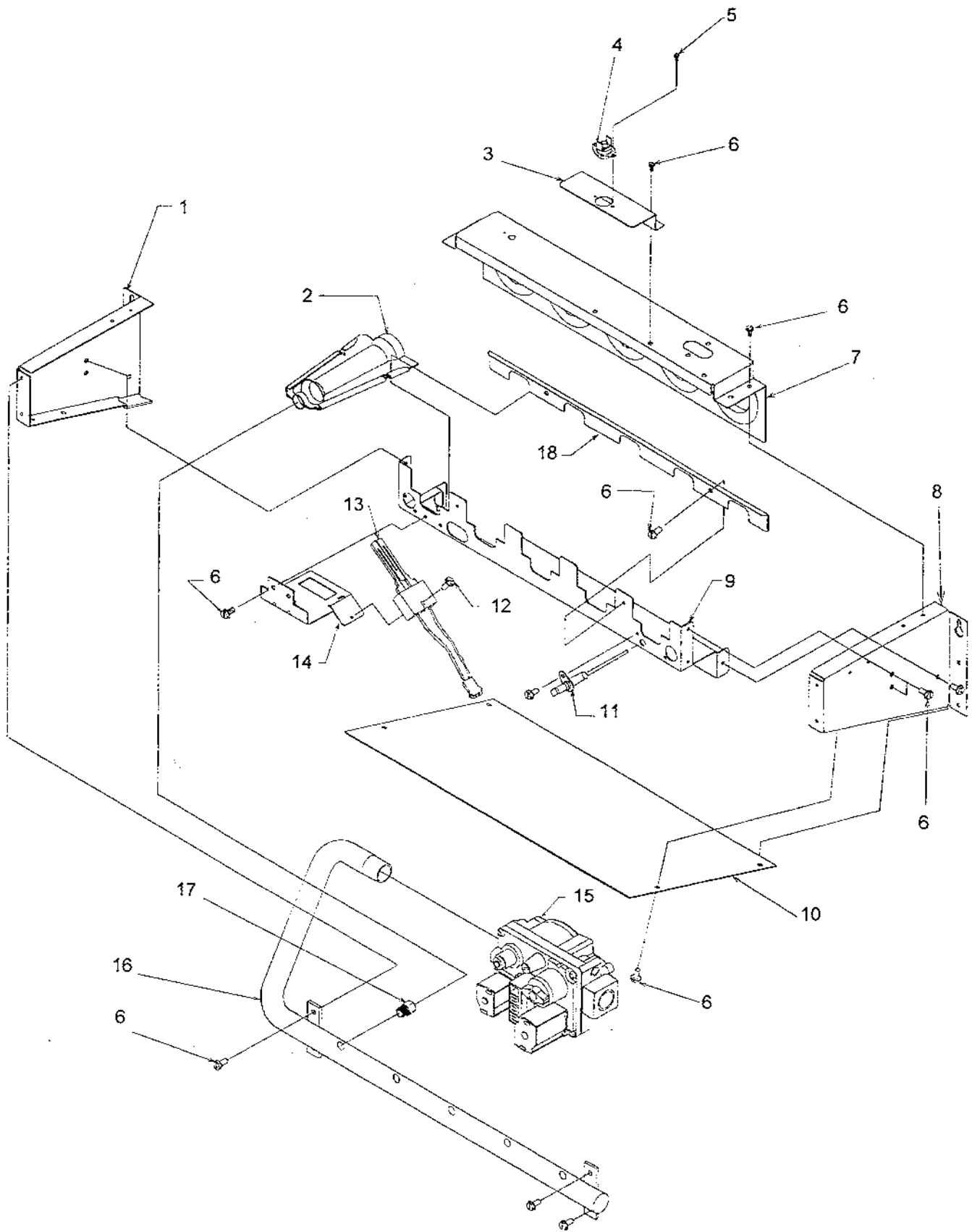
Ref. Part No:	Description:
1 C6121810	CUTOFF (M1, M2, M4, M7)
1 C6121807	CUTOFF (M3, M5, M6)
2 A4539611	RIVET, POP (QTY AR)
3 C6392834	ANGLE, BLOWER, REAR (M1, M2, M4, M7)
3 C6392833	ANGLE, BLOWER, REAR (M3, M5, M6)
4 B1136519	FELT, REAR (M3, M5, M6)
4 B1136502	FELT, REAR (M1, M2, M4, M7)
5 C6421201	ANGLE, BLOWER, SIDE (M6)
5 C6392906	ANGLE, BLOWER, SIDE (M1, M2, M3, M4, M5, M7)
6 B1136517	FELT, SIDE (M1, M2, M3, M4, M5, M7) (QTY 2)
6 B1136521	FELT, SIDE (M6) (QTY 2)
7 M0211020	SCREW, SM (QTY 2)
8 10324222	BLOWER HOUSING WELD (M6)
8 10324224	BLOWER HOUSING WELD (M3, M5)
8 10324220	BLOWER HOUSING WELD (M1, M2, M4, M7)
9 A3375801	CAPACITOR, BOOT (PRIOR TO SERIAL NUMBER 9602)
10 D6879739	CAPACITOR (M5, M6)
10 D6859325	CAPACITOR (M3)
10 10099901	CAPACITOR (M1, M2, M7)
10 10099902	CAPACITOR (M4)
11 M0219916	SCREW, SM (QTY 5)
12 A4055402	STRAP, CAPACITOR (M1, M2, M3, M4, M7)
12 A3410501	STRAP, CAPACITOR (M5, M6)
13 M0216531	SCREW, SM (M1, M2, M3, M4, M5, M6) (QTY 2)
13 M0211020	SCREW, SM (M7) (QTY 2)
14 10207704	CONTROL, INTEGRATED (M1, M2, M3, M4, M5, M6)
14 10207707	CONTROL, INTEGRATED (M7)
15 10746201	BRACKET, CONTROL
16 M0233716	SCREW, SD (QTY 3)
17 B1136518	FELT, FRONT (M3, M5, M6)
17 B1136519	FELT, FRONT (M1, M2, M4, M7)
18 D9950101	ANGLE, BLOWER, FRONT (M6)
18 D9950103	ANGLE, BLOWER, FRONT (M3, M5)
18 D9950104	ANGLE, BLOWER, FRONT (M1, M2, M4, M7)
19 C6421202	ANGLE, BLOWER, SIDE (M6)
19 C6392906	ANGLE, BLOWER, SIDE (M1, M2, M3, M4, M5, M7)
20 D6723311	WHEEL, BLOWER (M6)
20 D6723302	WHEEL, BLOWER (M1, M2, M4, M7)
20 D6723306	WHEEL, BLOWER (M3, M5)
21 10219602	MOTOR, BLOWER (M3)
21 10219704	MOTOR, BLOWER (M5, M6)
21 10220002	MOTOR, BLOWER (M1)
21 10219803	MOTOR, BLOWER (M2, M7)
21 10219905	MOTOR, BLOWER (M4)
22 M0282015	NUT, KEPS
23 C9443702	BRACKET, MOTOR MOUNT (M1, M2, M4, M7)
23 C9443701	BRACKET, MOTOR MOUNT (M3, M5)
24 A4002702	GROMMET (M1, M2, M3, M4, M5, M7) (QTY 3)
25 M0274008	WASHER, FLAT (QTY AR)
26 M0221461	SCREW, TC (QTY AR)
27 M0321202	TIE, ELECTRICAL (QTY AR)
28 M0267144	SCREW, MACH
29 10441501	ARM, MOTOR MOUNT (M6) (QTY 4)

Ref. Part No:	Description:
30 A4002701	GROMMET (M6)
31 10441601	BAND, MOTOR MOUNT (M6)
32 10220801	HOSE, LEFT DRAIN
33 10220701	HOSE, RIGHT DRAIN
34 10194301	HOSE, DRAIN
35 M0119207	CLAMP, HOSE (QTY 2)
36 10194501	TUBE, DRAIN
37 M0119206	CLAMP, HOSE (QTY 2)
38 10194601	TUBE, DRAIN
39 C6458404	STANDPIPE ASSEMBLY
99 A4617502	NUT, WIRE (QTY 2)
99 M0102318	CLAMP, TUBE
99 M0216531	SCREW, SM

Expanded Model and Color Nomenclature

M1 - GUX045X30B	P1207801F
M2 - GUX070X30B	P1207802F
M3 - GUX070X40B	P1207803F
M4 - GUX090X35B	P1207804F
M5 - GUX090X50B	P1207805F
M6 - GUX115X50B	P1207806F
M7 - GUX070X30BI	P1209302F

Manifold Assembly



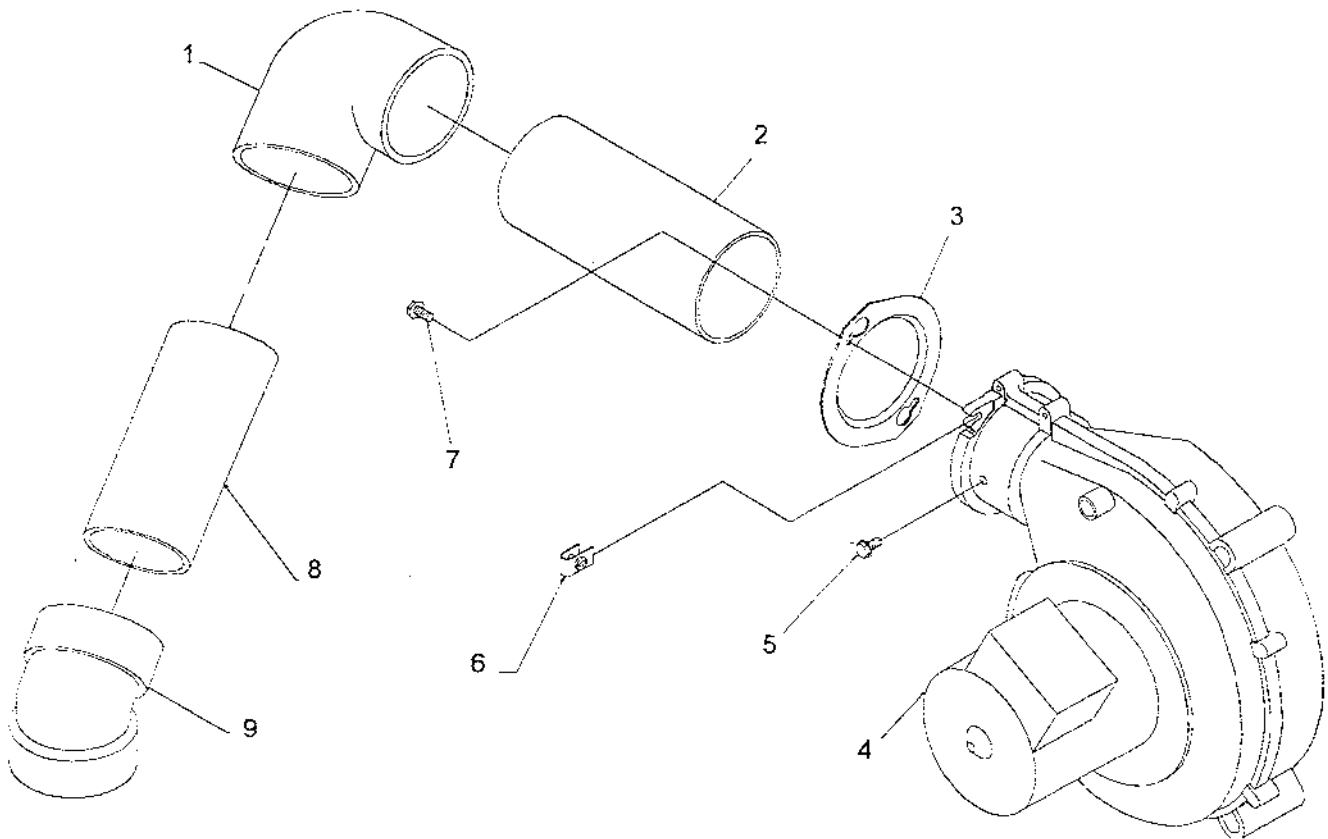
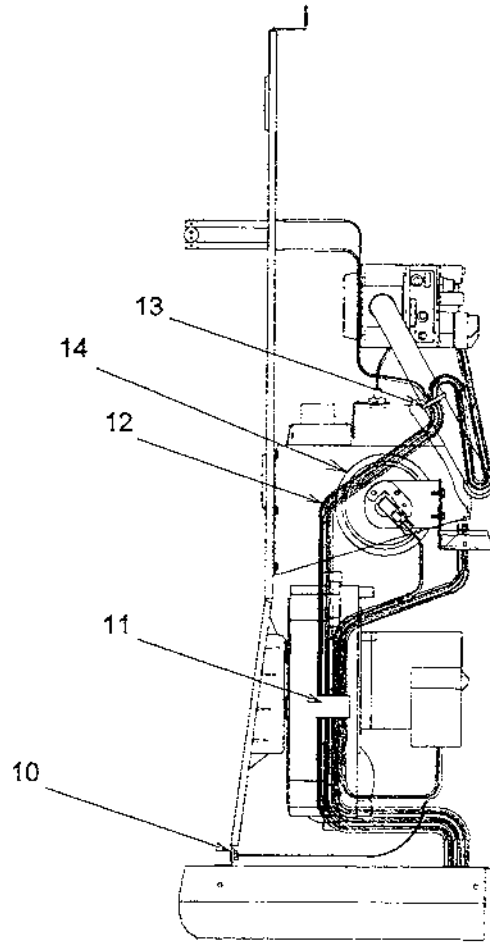
Manifold Assembly

Ref. Part No:	Part No:	Description:	Ref. Part No:	Part No:	Description:
1	10499403	BRACKET, LEFT MANIFOLD			
2	10735102	BECKETT BURNER (QTY AR)			
3	10118902	BRACKET, SENSOR			
4	10123503	LIMIT, RESET MANUAL			
5	M0212517	SCREW, SM (QTY 2)			
6	M0216529	SCREW, SM (QTY 23)			
7	D9950431	BRACKET, SHIELD AND MOUNTING (M6)			
7	D9950429	BRACKET, SHIELD AND MOUNTING (M2, M3, M7)			
7	D9950430	BRACKET, SHIELD AND MOUNTING (M4, M5)			
7	D9950428	BRACKET, SHIELD AND MOUNTING (M1)			
8	10499303	BRACKET, RIGHT MANIFOLD			
9	11008102	BRACKET, BURNER (M2, M3, M7)			
9	11008101	BRACKET, BURNER (M1)			
9	11008104	BRACKET, BURNER (M6)			
9	11008103	BRACKET, BURNER (M4, M5)			
10	D9974008	SHIELD, INDUCED DRAFT BLOWER (M4, M5)			
10	D9974009	SHIELD, INDUCED DRAFT BLOWER (M6)			
10	D9974006	SHIELD, INDUCED DRAFT BLOWER (M1)			
10	D9974007	SHIELD, INDUCED DRAFT BLOWER (M2, M3, M7)			
11	10735201	FLAME, SENSOR			
12	M0216519	SCREW, SM			
13	11111701	IGNITOR (M7)			
13	10735002	IGNITOR (M1, M2, M3, M4, M5, M6)			
14	11008703	BRACKET, SENSOR			
15	C6476904	VALVE, GAS			
16	10452804	MANIFOLD (M6)			
16	10452802	MANIFOLD (M2, M3, M7)			
16	10452803	MANIFOLD (M4, M5)			
16	10452801	MANIFOLD (M1)			
17	10716003	ORIFICE (QTY AR)			
18	10734701	BRACKET, LOCK BURNER (M1)			
18	10734704	BRACKET, LOCK BURNER (M6)			
18	10734702	BRACKET, LOCK BURNER (M2, M3, M7)			
18	10734703	BRACKET, LOCK BURNER (M4, M5)			

Expanded Model and Color Nomenclature

M1 - GUX045X30B	P1207801F
M2 - GUX070X30B	P1207802F
M3 - GUX070X40B	P1207803F
M4 - GUX090X35B	P1207804F
M5 - GUX090X50B	P1207805F
M6 - GUX115X50B	P1207806F
M7 - GUX070X30BI	P1209302F

Pressure Controls



Pressure Controls

Ref. Part No:	Part No:	Description:	Ref. Part No:	Part No:	Description:
1	C6458203	ELBOW, CUTOFF (M1)			
1	10241601	ELBOW, PVC (M2, M3, M4, M5, M6, M7)			
2	B1370917	PIPE, PVC STRAIGHT (M1)			
2	B1370921	PIPE, PVC STRAIGHT (M2, M3, M4, M5, M6, M7)			
3	D9849601	COLLAR, PIPE			
4	D9868610	BLOWER, INDUCED DRAFT (M1)			
4	D9868608	BLOWER, INDUCED DRAFT (M2, M3, M7)			
4	D9868607	BLOWER, INDUCED DRAFT (M4, M5)			
4	D9868609	BLOWER, INDUCED DRAFT (M6)			
5	M0236717	SCREW, SM			
6	M0283201	NUT, U TYPE SPEED (QTY 2)			
7	M0200304	SCREW, MACH (QTY 2)			
8	B1370923	PIPE, PVC STRAIGHT (M1)			
9	C6455901	ELBOW, 22 1/2 ELL (M1)			
10	M0219916	SCREW, SM			
11	M0104102	CLIP, CORD			
12	11135303	HARNES, WIRING (M1, M2, M3, M4, M5, M6)			
12	11135304	HARNES, WIRING (M7)			
13	M0321202	TIE, ELECTRICAL (QTY AR)			
14	11111903	SWITCH, PRESSURE (M2, M3, M4, M5, M6, M7)			
14	11111904	SWITCH, PRESSURE (M1)			

Expanded Model and Color Nomenclature

M1 - GUX045X30B	P1207801F
M2 - GUX070X30B	P1207802F
M3 - GUX070X40B	P1207803F
M4 - GUX090X35B	P1207804F
M5 - GUX090X50B	P1207805F
M6 - GUX115X50B	P1207806F
M7 - GUX070X30BI	P1209302F