

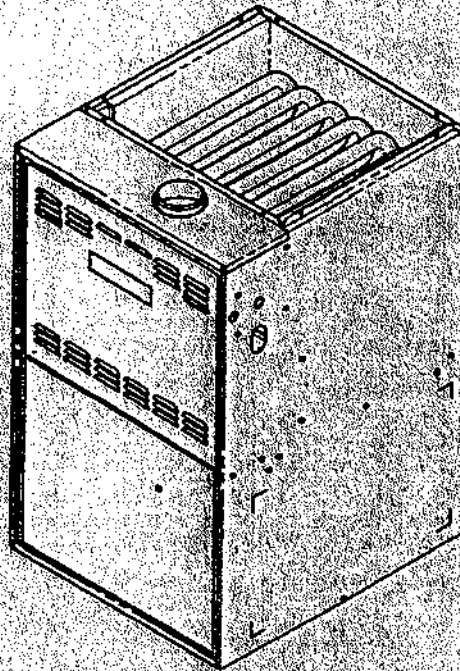
Models and manufacturing
numbers in this manual

GUIB045CX30 P1207701F
GUIB070CX30 P1207702F
GUIB070CX40 P1207703F
GUIB090CX30 P1207704F
GUIB090CX50 P1207705F
GUIB115CX50 P1207707F

Parts

GUIB Gas Furnace

Parts Manual for
Amana®



This manual is to be used by qualified appliance technicians only. Amana Refrigeration Inc. does not assume any responsibility for property damage or personal injury for improper service procedures done by an unqualified person.

Amana
A Raytheon Company

RP6620012
Rev. 0
January 1996

Important Information

Pride and workmanship go into every product to provide our customers with quality products. It is possible, however, that during its lifetime a product may require service. Products should be serviced only by a qualified service technician who is familiar with the safety procedures required in the repair and who is equipped with the proper tools, parts, testing instruments and the appropriate service manual.

REVIEW ALL SERVICE INFORMATION IN THE APPROPRIATE SERVICE MANUAL BEFORE BEGINNING REPAIRS.

Important Notices



IF REPAIRS ARE ATTEMPTED BY UNQUALIFIED PERSONS, DANGEROUS CONDITIONS (SUCH AS EXPOSURE TO ELECTRICAL SHOCK) MAY RESULT. THIS MAY CAUSE SERIOUS INJURY OR DEATH.



AMANA WILL NOT BE RESPONSIBLE FOR ANY INJURY OR PROPERTY DAMAGE ARISING FROM IMPROPER SERVICE OR SERVICE PROCEDURES. IF YOU PERFORM SERVICE ON YOUR OWN PRODUCT, YOU ASSUME RESPONSIBILITY FOR ANY PERSONAL INJURY OR PROPERTY DAMAGE WHICH MAY RESULT.

To locate an authorized servicer, please consult your telephone book or the dealer from whom you purchased this product. For further assistance, please contact:

CONSUMER AFFAIRS DEPT.	OR	1-319-622-5511
AMANA REFRIGERATION, INC.	CALL	and ask for
AMANA, IOWA 52204		Consumer Affairs

If outside the United States contact:

AMANA REFRIGERATION, INC.
ATTN: INTERNATIONAL DIVISION
AMANA, IOWA 52204, USA
Telephone: (319) 622-5511
Facsimile: (319) 622-2180

RECOGNIZE SAFETY SYMBOLS, WORDS AND LABELS



DANGER - Immediate hazards which **WILL** result in severe personal injury or death.



WARNING - Hazards or unsafe practices which **COULD** result in severe personal injury or death.



CAUTION - Hazards or unsafe practices which **COULD** result in minor personal injury or product or property damage.

Index

FUNCTIONAL PARTS LIST	5
ILLUSTRATION AND PARTS	6 - 15

Text Codes:

98 - As Required

99 - Not Shown

QTY - Quantity Example (QTY 3) (If Quantity not shown, Quantity = 1)

M - Model Example (M1) (If M Code not shown, then part is used on all Models)

Expanded Model and Color Nomenclature:

M1 - GUIB045CX30 P1207701F

M2 - GUIB070CX30 P1207702F

M3 - GUIB070CX40 P1207703F

M4 - GUIB090CX30 P1207704F

M5 - GUIB090CX50 P1207705F

M6 - GUIB115CX50 P1207707F

Functional Parts

Part

No: Description:

D6879746	CAPACITOR (M5, M6)
D6879739	CAPACITOR (M4)
D6859325	CAPACITOR (M1, M3)
10099901	CAPACITOR (M2)
11003101	CONTROL-INTEGRATED
11002801	FLAME-SENSOR
11146201	HARNESS-WIRING
10735002	IGNITOR
10728332	LIMIT (M4, M5)
10728331	LIMIT (M3)
10728330	LIMIT (M2)
10728326	LIMIT (M1)
10728334	LIMIT (M6)
10123510	LIMIT-RESET MANUAL (M2, M3, M4, M5)
10123506	LIMIT-RESET MANUAL
10123513	LIMIT-RESET MANUAL (M6)
10123508	LIMIT-RESET MANUAL (M1)
10759202	MOTOR-BLOWER 1/2 HP (M3)
10759301	MOTOR-BLOWER 1/2 HP (M4)
10759401	MOTOR-BLOWER 1/2 HP (M5)
10759203	MOTOR-BLOWER 1/3 HP (M1)
10759201	MOTOR-BLOWER 1/3 HP (M2)
10759402	MOTOR-BLOWER 3/4 HP (M6)
10716003	ORIFICE (QTY AR)
10727903	SWITCH-PRESSURE (M2, M3)
10727914	SWITCH-PRESSURE (M1)
10727905	SWITCH-PRESSURE (M6)
10727904	SWITCH-PRESSURE (M4, M5)
C6349701	TRANSFORMER
11002701	VALVE-GAS

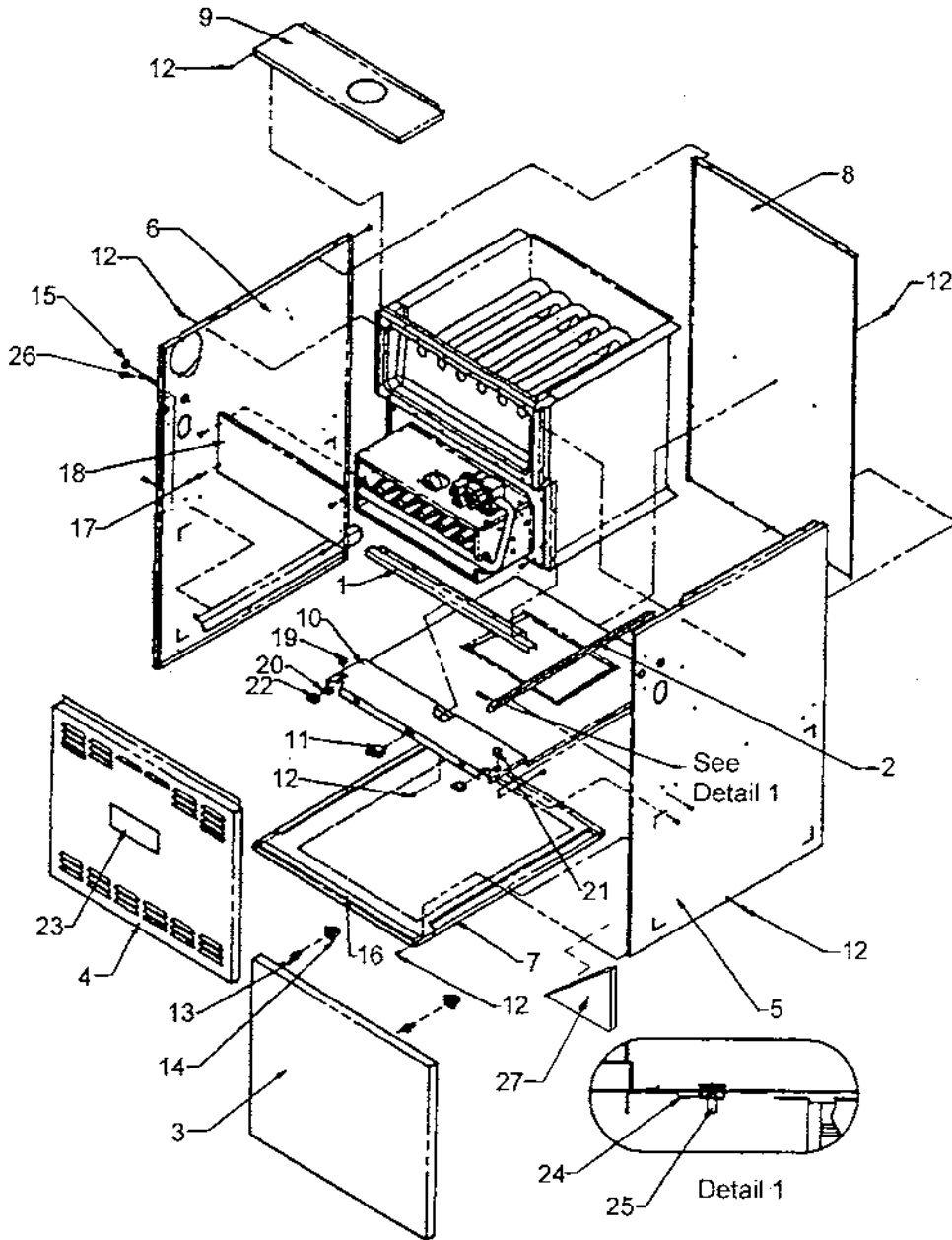
SPECIAL PARTS

10772901	INSTRUCTION-INSTALLATION
10759813	INSTRUCTION-INSTALLATION
10759610	MANUAL-USERS
10759701	MANUAL-VENTING
RP6620012	PARTS MANUAL

Expanded Model and Color Nomenclature

M1 - GUIB045CX30	P1207701F
M2 - GUIB070CX30	P1207702F
M3 - GUIB070CX40	P1207703F
M4 - GUIB090CX30	P1207704F
M5 - GUIB090CX50	P1207705F
M6 - GUIB115CX50	P1207707F

Cabinet Assembly



Cabinet Assembly

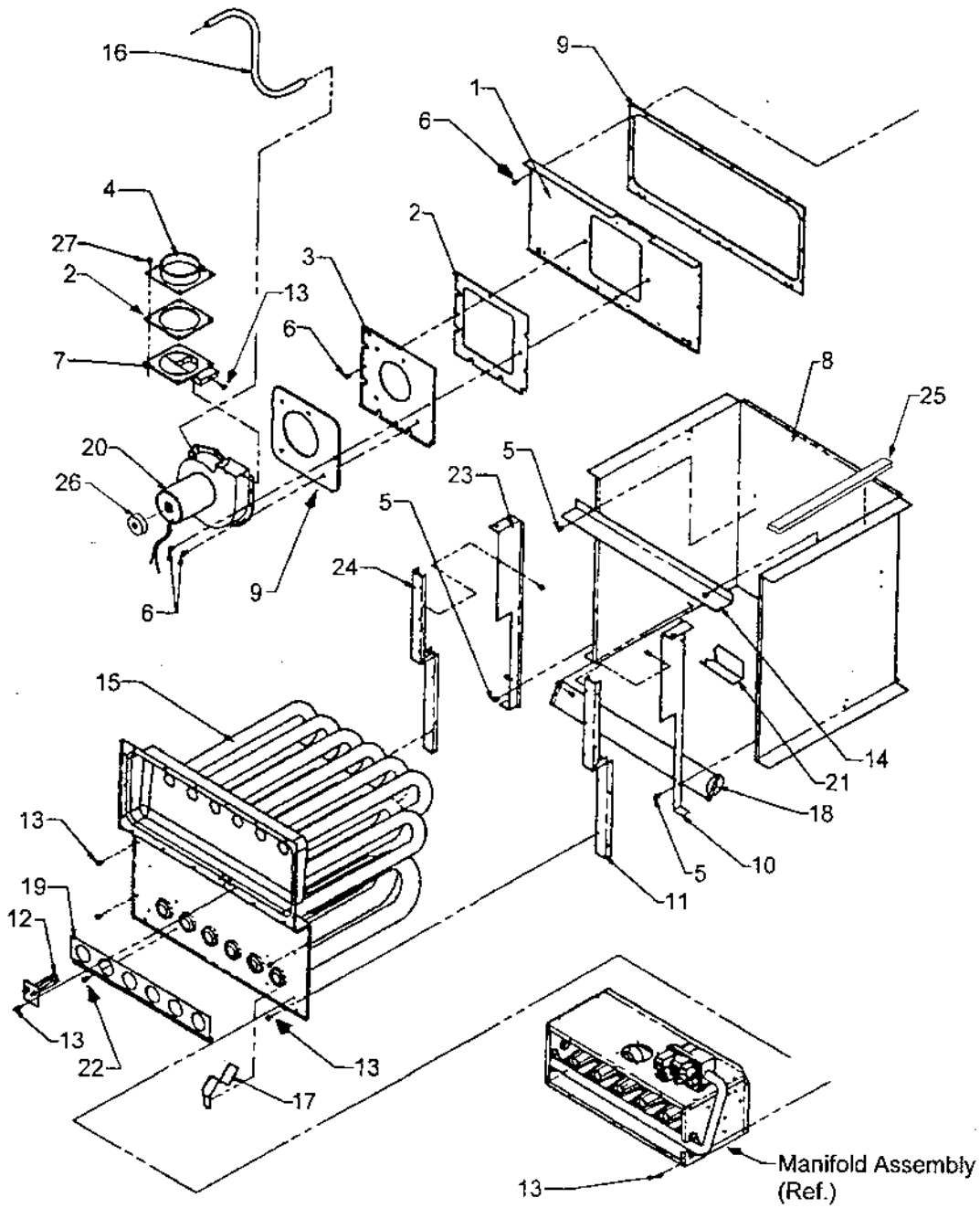
Ref. Part No:	Description:
1 10728402	SUPPORT-PARTITION PANEL (M4, M5)
1 10728403	SUPPORT-PARTITION PANEL (M6)
1 10728401	SUPPORT-PARTITION PANEL (M1, M2, M3)
2 10690301	ANGLE-FILTER (QTY 2)
3 10727724	BLOWER-DOOR-PNT (M6)
3 10727720	BLOWER-DOOR-PNT (M1, M2, M3)
3 10727722	BLOWER-DOOR-PNT (M4, M5)
4 10727802	ACCESS DOOR-PNT (M1, M2, M3)
4 10727806	ACCESS DOOR-PNT (M6)
4 10727804	ACCESS DOOR-PNT (M4, M5)
5 10727014	R SIDE PANEL-PNT
6 10727114	L SIDE PANEL-PNT
7 10727508	BASEPAN-PNT (M1, M2, M3)
7 10727512	BASEPAN-PNT (M6)
7 10727510	BASEPAN-PNT (M4, M5)
8 10727416	BACK PANEL-PNT (M4, M5)
8 10727418	BACK PANEL-PNT (M6)
8 10727414	BACK PANEL-PNT (M1, M2, M3)
9 10779120	TOP COVER-PNT (M1, M2, M3)
9 10779124	TOP COVER-PNT (M6)
9 10779122	TOP COVER-PNT (M4, M5)
10 11034804	DECK-BLOWER (M1, M2)
10 11034801	DECK-BLOWER (M3)
10 11034802	DECK-BLOWER (M4, M5)
10 11034805	DECK-BLOWER (M6)
11 10690401	SWITCH-INTERLOCK
12 M0219916	SCREW-SM (QTY AR)
13 10690101	STRIKE-DOOR (QTY 2)
14 10690001	DOOR CATCH ASSEMBLY (QTY 2)
15 M0571002	BUSHING-SNAP
16 A9020401	RETAINER-FILTER (M1, M2, M3)
16 A9020402	RETAINER-FILTER (M4, M5)
16 A9020403	RETAINER-FILTER (M6)
17 M0216529	SCREW-SM (QTY AR)
18 10734606	BOX-FRONT BURNER (M1)
18 10734607	BOX-FRONT BURNER (M2, M3)
18 10734609	BOX-FRONT BURNER (M6)
18 10734608	BOX-FRONT BURNER (M4, M5)
19 M0571001	BUSHING-SNAP
20 11001301	GASKET-COMPARTMENT (QTY 2)
21 M0310308	PLUG-WHITE BUTTON
22 A4568804	GROMMET-D (QTY 2)
23 11034902	NAMEPLATE-AMANA (QTY 1)
24 10861101	BRACKET-AUXILLARY LIMIT SWITCH
25 10123506	LIMIT-RESET MANUAL
26 M0216716	SCREW-SM (QTY 2)
27 11094902	CORNER BRACKET-PNT (QTY 2)
99 A4554815	BUSHING-SNAP (QTY 1)

Ref. Part No:	Description:
---------------	--------------

Expanded Model and Color Nomenclature

M1 - GUIB045CX30	P1207701F
M2 - GUIB070CX30	P1207702F
M3 - GUIB070CX40	P1207703F
M4 - GUIB090CX30	P1207704F
M5 - GUIB090CX50	P1207705F
M6 - GUIB115CX50	P1207707F

Collector Box & Vent Assembly



Collector Box & Vent Assembly

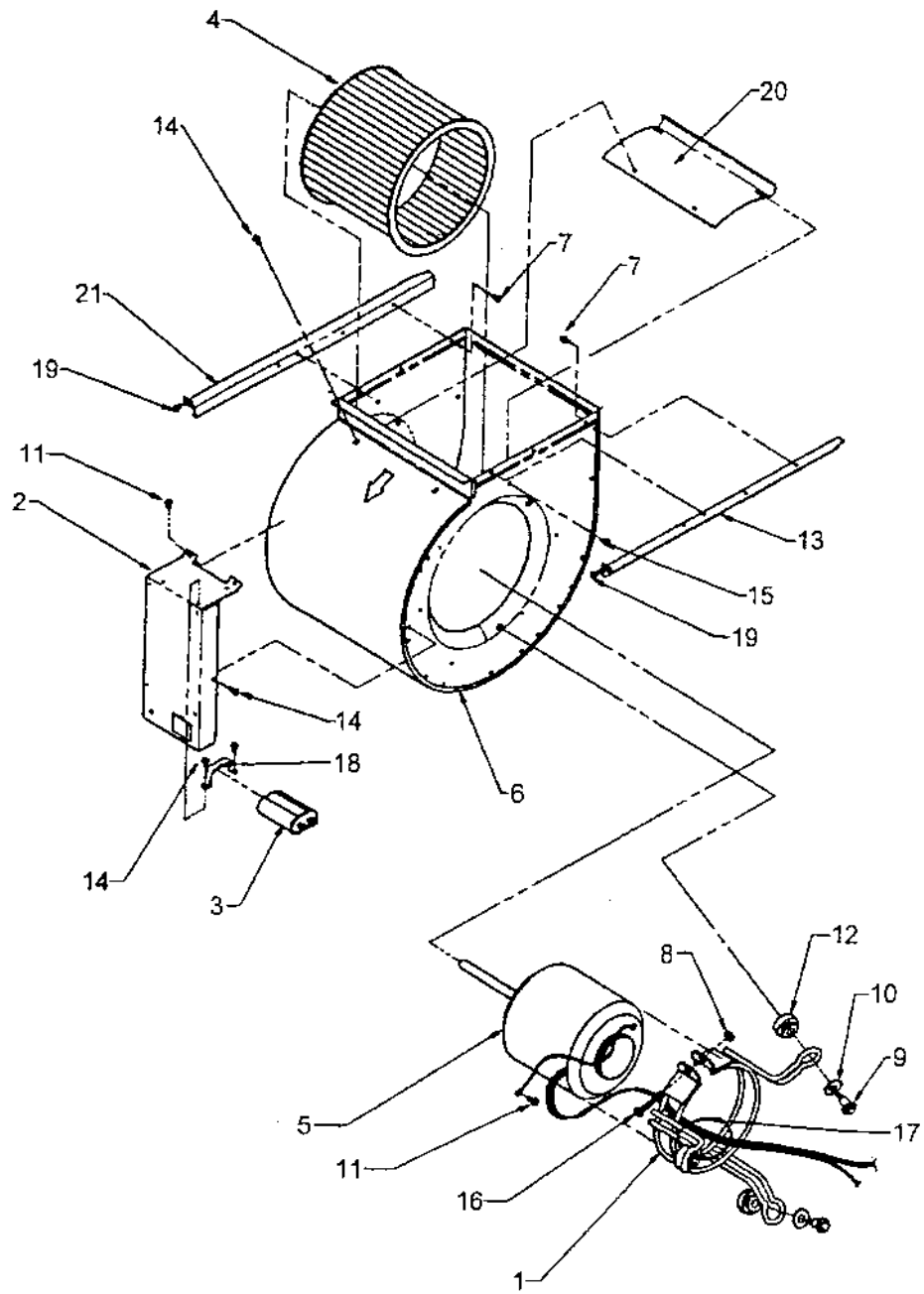
Ref. Part No:	Description:
1 10764404	PLATE-PARTITION (M1, M2, M3)
1 10764406	PLATE-PARTITION (M6)
1 10764405	PLATE-PARTITION (M4, M5)
2 10764601	GASKET-ROTATE PLATE
3 10764304	PLATE-ROTATING (M6)
3 10764311	PLATE-ROTATING (M4, M5)
3 10764317	PLATE-ROTATING (M1)
3 10764307	PLATE-ROTATING (M2, M3)
4 11009701	TOP-TRANSITION PLATE
5 M0224303	SCREW-SM (QTY AR)
6 M0219918	SCREW-SM (QTY AR)
7 11009401	TRANSITION-INDUCED DRAFT BLOWER
8 10728709	LINER-CABINET (M4, M5)
8 10728707	LINER-CABINET (M1)
8 10728710	LINER-CABINET (M6)
8 10728708	LINER-CABINET (M2, M3)
9 11142202	GASKET-COLLECTOR/INDUCED DRAFT (M4, M5)
9 11142201	GASKET-COLLECTOR/INDUCED DRAFT (M1, M2, M3)
9 11142203	GASKET-COLLECTOR/INDUCED DRAFT (M6)
10 10728601	BRACKET-LINER MOUNTING
11 10728503	RAIL-PARTITION PANEL
12 10728334	LIMIT (M6)
12 10728331	LIMIT (M3)
12 10728330	LIMIT (M2)
12 10728332	LIMIT (M4, M5)
12 10728326	LIMIT (M1)
13 M0219916	SCREW-SM (QTY 13)
14 11008302	BAFFLE-LINER (M2, M3)
14 11008303	BAFFLE-LINER (M4, M5)
14 11008304	BAFFLE-LINER (M6)
14 11008306	BAFFLE-LINER (M1)
15 11113103	PARTITION/TUBE ASSEMBLY (M4, M5)
15 11113104	PARTITION/TUBE ASSEMBLY (M6)
15 11113102	PARTITION/TUBE ASSEMBLY (M2, M3)
15 11113101	PARTITION/TUBE ASSEMBLY (M1)
16 B1410304	HOSE-PRESSURE SWITCH
17 10624002	INSERT-MESH TUBE (QTY AR)
18 11008801	BAFFLE-DECK (M3)
18 11008802	BAFFLE-DECK (M4)
19 11072202	SHIELD-ORIFICE (M2, M3)
19 11072203	SHIELD-ORIFICE (M4, M5)
19 11072204	SHIELD-ORIFICE (M6)
19 11072201	SHIELD-ORIFICE (M1)
20 11009002	BLOWER-INDUCED DRAFT
21 11008306	BAFFLE-LINER
22 M0211020	SCREW-SM (QTY AR)
23 10728602	BRACKET-LINER MOUNTING
24 10728504	RAIL-PARTITION PANEL
25 11072401	GASKET-LINER (QTY 2)
26 11083601	GASKET-MOTOR
27 M0253516	SCREW-TR (QTY 4)

Ref. Part No:	Description:
---------------	--------------

Expanded Model and Color Nomenclature

M1 - GUIB045CX30	P1207701F
M2 - GUIB070CX30	P1207702F
M3 - GUIB070CX40	P1207703F
M4 - GUIB090CX30	P1207704F
M5 - GUIB090CX50	P1207705F
M6 - GUIB115CX50	P1207707F

Blower Assembly



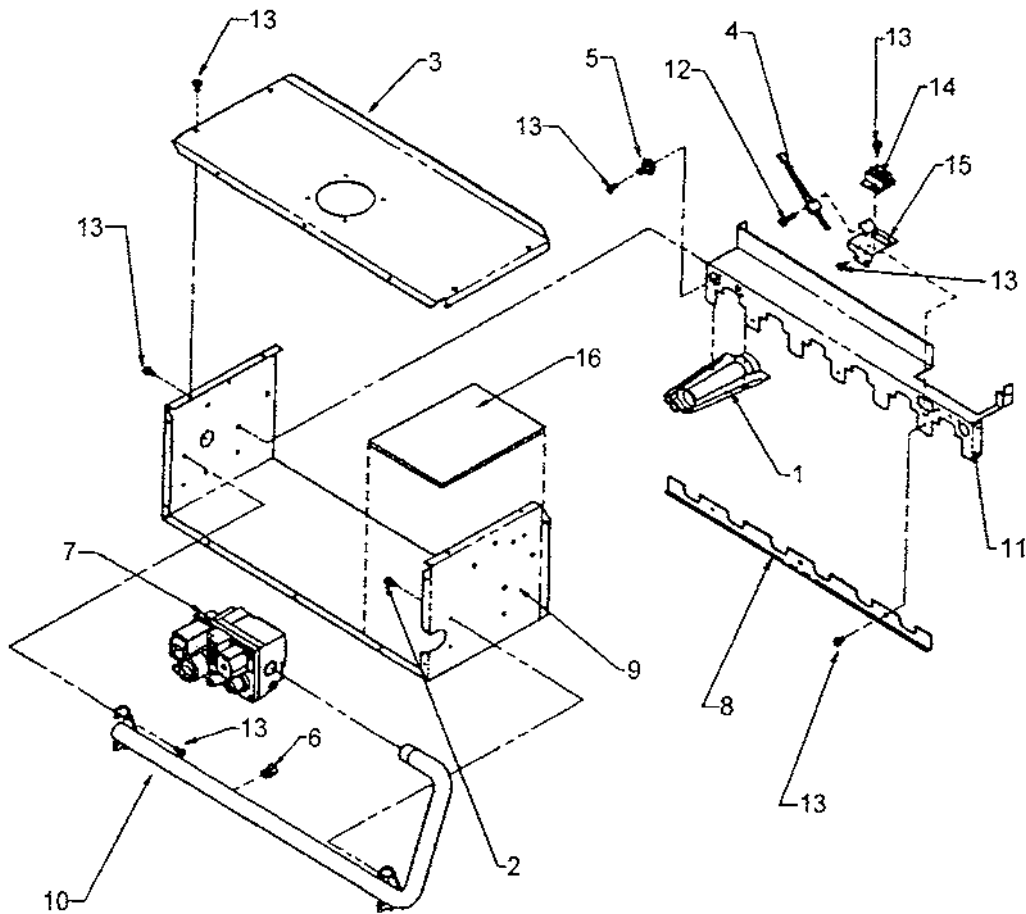
Blower Assembly

Ref. Part No: No:	Description:	Ref. Part No: No:	Description:
1 C9443702	BRACKET-MOTOR MOUNT (M3, M4, M5)		
1 C9443701	BRACKET-MOTOR MOUNT (M6)		
1 C9446702	BRACKET-MOTOR MOUNT (M1, M2)		
2 10746201	BRACKET-CONTROL		
3 D6859325	CAPACITOR (M1, M3)		
3 D6879739	CAPACITOR (M4)		
3 10099901	CAPACITOR (M2)		
3 D6879746	CAPACITOR (M5, M6)		
4 D6723303	WHEEL-BLOWER (M6)		
4 D6723302	WHEEL-BLOWER (M4, M5)		
4 D6723316	WHEEL-BLOWER (M3)		
4 D6723301	WHEEL-BLOWER (M1, M2)		
5 10759203	MOTOR-BLOWER 1/3 HP (M1)		
5 10759201	MOTOR-BLOWER 1/3 HP (M2)		
5 10759402	MOTOR-BLOWER 3/4 HP (M6)		
5 10759401	MOTOR-BLOWER 1/2 HP (M5)		
5 10759301	MOTOR-BLOWER 1/2 HP (M4)		
5 10759202	MOTOR-BLOWER 1/2 HP (M3)		
6 10745602	BLOWER HOUSING WELD-PNT (M1, M2)		
6 10745604	BLOWER HOUSING WELD-PNT (M3)		
6 10745608	BLOWER HOUSING WELD-PNT (M5)		
6 10745608	BLOWER HOUSING WELD-PNT (M4)		
6 10745610	BLOWER HOUSING WELD-PNT (M6)		
7 M0253516	SCREW-TR (QTY 6)		
8 M0282015	NUT-KEPS		
9 M0221461	SCREW-TC (QTY 3)		
10 M0274008	WASHER-FLAT (QTY 3)		
11 M0233716	SCREW-SD (QTY 3)		
12 A4002702	GROMMET (QTY 3)		
13 10744901	RAIL-SIDE BLOWER		
14 M0211016	SCREW-SM (QTY 5)		
15 M0211020	SCREW-SM (QTY 2)		
16 M0267144	SCREW-MACH		
17 M0321202	TIE-ELEC		
18 A3410501	STRAP-CAPACITOR (M4, M5, M6)		
18 A4055402	STRAP-CAPACITOR (M1, M2, M3)		
19 M0219918	SCREW-SM (QTY 2)		
20 C6121810	CUTOFF (M1, M2, M4, M5)		
20 C6121802	CUTOFF (M3)		
20 C6121806	CUTOFF (M6)		
21 10744902	RAIL-SIDE BLOWER		

Expanded Model and Color Nomenclature

M1 - GUIB045CX30	P1207701F
M2 - GUIB070CX30	P1207702F
M3 - GUIB070CX40	P1207703F
M4 - GUIB090CX30	P1207704F
M5 - GUIB090CX50	P1207705F
M6 - GUIB115CX50	P1207707F

Manifold Assembly



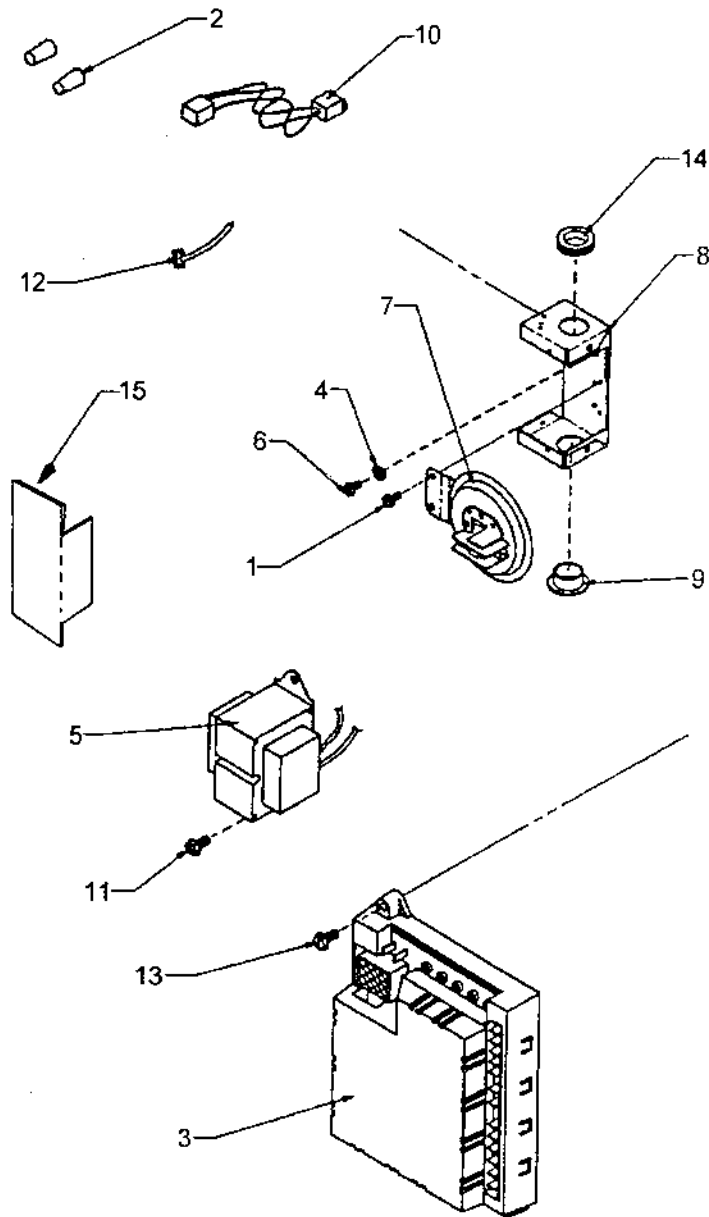
Manifold Assembly

Ref. Part No:	Ref. Part No:	Description:	Description:
1 10735102		BECKETT BURNER (QTY AR)	
2 M0253516		SCREW-TR (QTY 2)	
3 10734504		TOP-BOX BURNER (M6)	
3 10734503		TOP-BOX BURNER (M4, M5)	
3 10734502		TOP-BOX BURNER (M2, M3)	
3 10734501		TOP-BOX BURNER (M1)	
4 10735002		IGNITOR	
5 10123508		LIMIT-RESET MANUAL (M1)	
5 10123513		LIMIT-RESET MANUAL (M6)	
5 10123510		LIMIT-RESET MANUAL (M2, M3, M4, M5)	
6 10716003		ORIFICE (QTY AR)	
7 11002701		VALVE-GAS	
8 10734704		BRACKET-LOCK BURNER (M6)	
8 10734701		BRACKET-LOCK BURNER (M1)	
8 10734703		BRACKET-LOCK BURNER (M4, M5)	
8 10734702		BRACKET-LOCK BURNER (M2, M3)	
9 10734412		BOX-BURNER (M4, M5)	
9 10734411		BOX-BURNER (M2, M3)	
9 10734410		BOX-BURNER (M1)	
9 10734413		BOX-BURNER (M6)	
10 10568803		MANIFOLD (M4, M5)	
10 10568801		MANIFOLD (M1)	
10 10568804		MANIFOLD (M6)	
10 10568802		MANIFOLD (M2, M3)	
11 11008104		BRACKET-BURNER (M6)	
11 11008103		BRACKET-BURNER (M4, M5)	
11 11008101		BRACKET-BURNER (M1)	
11 11008102		BRACKET-BURNER (M2, M3)	
12 M0216519		SCREW-SM	
13 M0216529		SCREW-SM (QTY AR)	
14 11002801		FLAME-SENSOR	
15 11008703		BRACKET-SENSOR	
16 11036001		INSULATION-RIGHT SIDE	
99 11146201		HARNES-WIRING	

Expanded Model and Color Nomenclature

M1 - GUIB045CX30	P1207701F
M2 - GUIB070CX30	P1207702F
M3 - GUIB070CX40	P1207703F
M4 - GUIB090CX30	P1207704F
M5 - GUIB090CX50	P1207705F
M6 - GUIB115CX50	P1207707F

Control Box Assembly



Control Box Assembly

Ref. Part No: No:	Description:	Ref. Part No: No:	Description:
1 M0216716	SCREW-SM (QTY 2)		
2 A4617502	NUT-WIRE		
3 11003101	CONTROL-INTEGRATED		
4 M0270001	WASHER-CUP		
5 C6349701	TRANSFORMER		
6 M0227803	SCREW-TC		
7 10727914	SWITCH-PRESSURE (M1)		
7 10727903	SWITCH-PRESSURE (M2, M3)		
7 10727904	SWITCH-PRESSURE (M4, M5)		
7 10727905	SWITCH-PRESSURE (M6)		
8 10736102	BOX-HIGH VOLTAGE		
9 A4554801	BUSHING-SNAP		
10 11136101	HARNESS-WIRING		
11 M0216536	SCREW-SM (QTY 2)		
12 M0321202	TIE-ELEC (QTY 2)		
13 M0216531	SCREW-SM (QTY 2)		
14 M0571002	BUSHING-SNAP		
15 10736201	COVER-HIGH VOLTAGE BOX		

Expanded Model and Color Nomenclature

M1 - GUIB045CX30	P1207701F
M2 - GUIB070CX30	P1207702F
M3 - GUIB070CX40	P1207703F
M4 - GUIB090CX30	P1207704F
M5 - GUIB090CX50	P1207705F
M6 - GUIB115CX50	P1207707F