

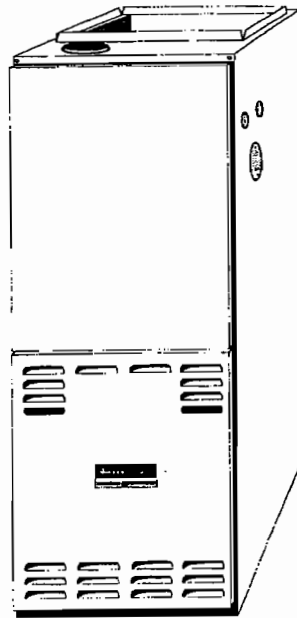
# Parts

## GCIC Gas Furnace

This manual replaces RP6620010 Rev. 0.

Models and manufacturing  
numbers in this manual

GCIC045CX30	P1207501F
GCIC070CX30	P1207502F
GCIC070CX40	P1207503F
GCIC090CX30	P1207504F
GCIC090CX50	P1207505F
GCIC115CX40	P1207506F
GCIC115CX50	P1207507F
GCIC140CX50	P1207508F



This manual is to be used by qualified appliance technicians only. Amana does not assume any responsibility for property damage or personal injury for improper service procedures done by an unqualified person.

**Amana**

RP6620010  
Revision 1  
April 1999

## Important Information

---

Amana is not responsible for personal injury or property damage resulting from improper service. Review all service information before beginning repairs.

Warranty service must be performed by an authorized technician, using authorized factory parts. If service is required after the warranty expires, Amana also recommends contacting an authorized technician and using authorized factory parts. Locate an authorized technician by calling 800-NATLSVC (800-628-5782).

For assistance within the U.S.A. contact:

Consumer Affairs Department  
Amana  
2800 220th Trail  
Amana IA 52204-0001  
319-622-5511--Telephone  
319-622-2977--Facsimile

For assistance outside the U.S.A. contact:

International Division  
Amana  
2800 220th Trail  
Amana IA 52204-0001  
USA  
319-622-5511--Telephone  
319-622-8595--Facsimile

## Index

Functional Parts List .....	4 - 5
Illustration and Parts .....	6 - 15

*Views shown are for parts illustrations only, not servicing procedures.*

Model M2 GCIC070CX30 P1207502F MOTOR BRACKET C9446702 WAS C9443702.

### Text Codes:

AR - As Required

0000 - Not Shown

QTY - Quantity Example (QTY 3) (If Quantity not shown, Quantity = 1)

M - Model Example (M1) (If M Code not shown, then part is used on all Models)

NA - Not Available

### Expanded Model and Color Nomenclature:

Example	
M1 - Model#1	P _____
M2 - Model#2	P _____
M3 - Model#3	P _____

# Functional Parts

Part

No: Description:

---

10585403	BLOWER-INDUCED DRAFT
D6879739	CAPACITOR (M4)
D6859325	CAPACITOR (M1, M3, M6)
D6879740	CAPACITOR (M5, M7, M8)
10099902	CAPACITOR (M2)
10207704	CONTROL-INTEGRATED
10735201	FLAME-SENSOR
11135201	HARNESS-WIRING
10735002	IGNITOR
10728312	LIMIT (M4)
10728306	LIMIT (M3)
10728318	LIMIT (M1)
10728319	LIMIT (M5)
10728302	LIMIT (M7)
10728328	LIMIT (M2)
10728329	LIMIT (M8)
10728327	LIMIT (M6)
10123509	LIMIT-RESET MANUAL (M2, M3, M6, M7, M8)
10123512	LIMIT-RESET MANUAL (M4, M5)
10123506	LIMIT-RESET MANUAL
10123511	LIMIT-RESET MANUAL (M1)
10759205	MOTOR-BLOWER 1/2 HP (M3)
10759301	MOTOR-BLOWER 1/2 HP (M4)
10759304	MOTOR-BLOWER 1/2 HP (M6)
10759203	MOTOR-BLOWER 1/3 HP (M1)
10759204	MOTOR-BLOWER 1/3 HP (M2)
10759404	MOTOR-BLOWER 3/4 HP (M5)
10759405	MOTOR-BLOWER 3/4 HP (M7, M8)
10690401	SWITCH-INTERLOCK
10727913	SWITCH-PRESSURE
C6349701	TRANSFORMER
10671101	VALVE-GAS

# Functional Parts

**Part**

**No: Description:**

---

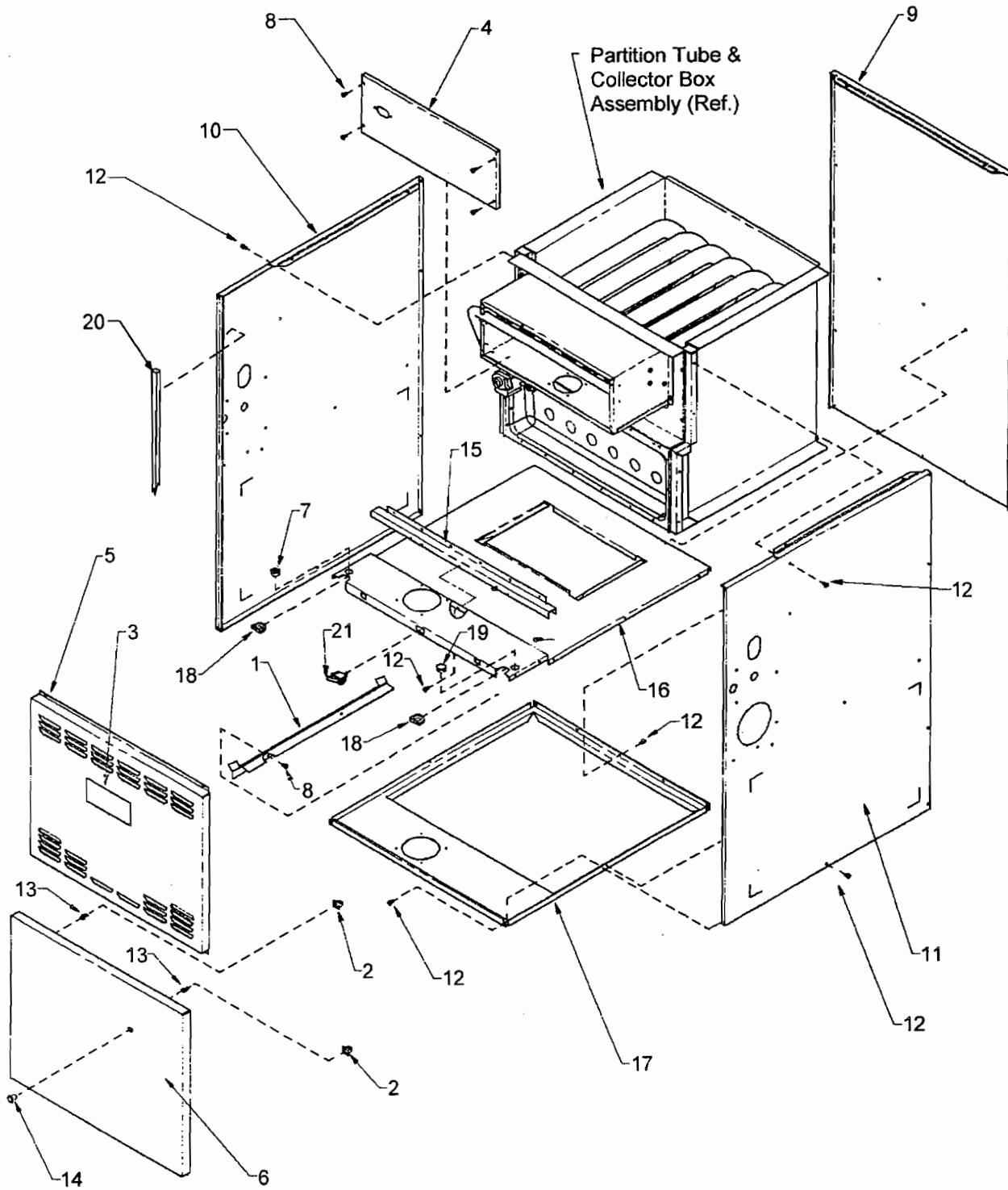
## SPECIAL PARTS

11067325 INSTRUCTIONS-HIGH ALTITUDE  
11067321 INSTRUCTIONS-INSTALLATION  
10759813 INSTRUCTIONS-INSTALLATION  
11067324 INSTRUCTIONS-LP  
11067322 MANUAL-USERS  
10759610 MANUAL-USERS  
10759701 MANUAL-VENTING  
RP6620010 PARTS MANUAL

## Expanded Model and Color Nomenclature

M1 - GCIC045CX30	P1207501F
M2 - GCIC070CX30	P1207502F
M3 - GCIC070CX40	P1207503F
M4 - GCIC090CX30	P1207504F
M5 - GCIC090CX50	P1207505F
M6 - GCIC115CX40	P1207506F
M7 - GCIC115CX50	P1207507F
M8 - GCIC140CX50	P1207508F

# Cabinet Assembly



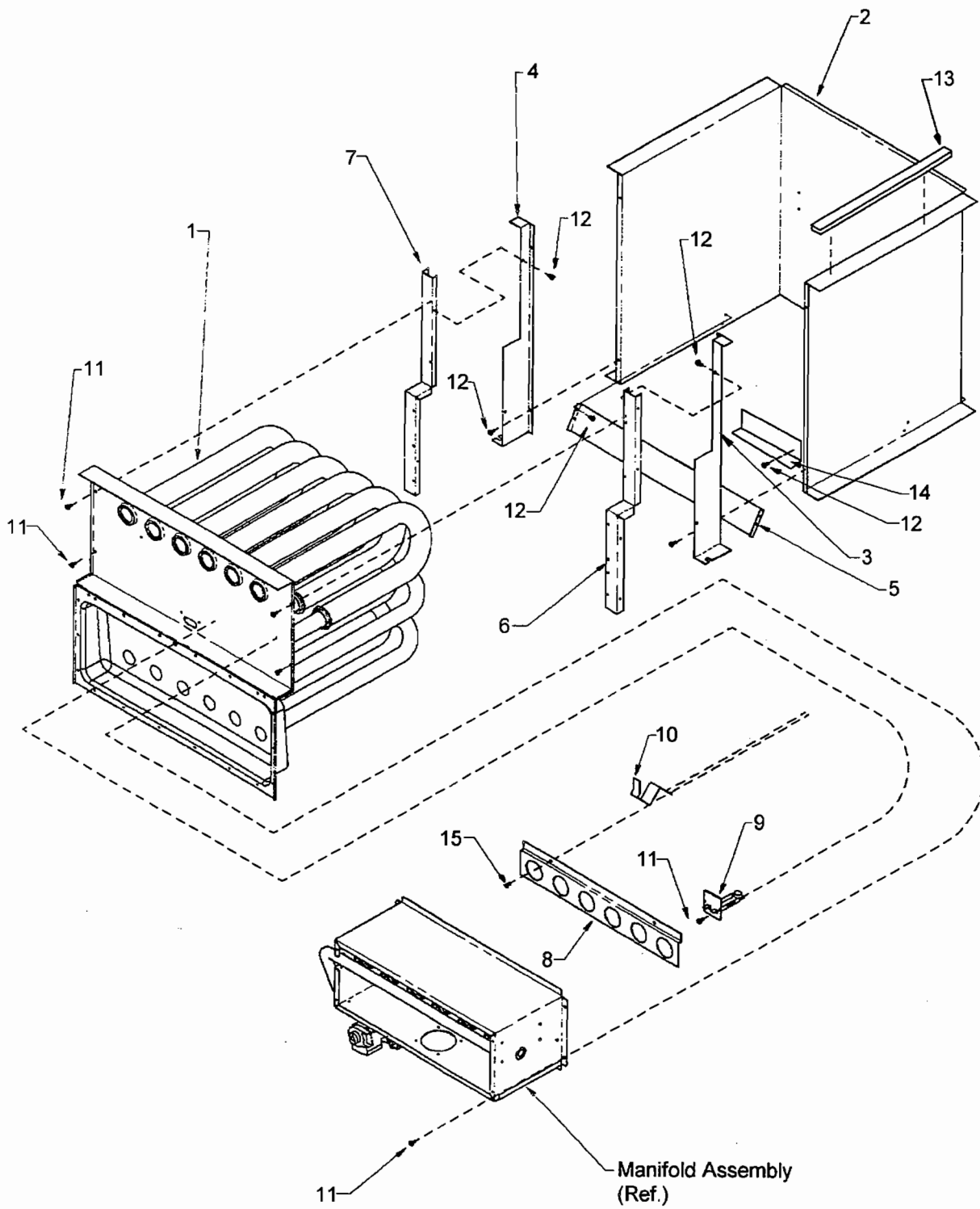
# Cabinet Assembly

Ref. Part No: No:	Description:	Ref. Part No: No:	Description:
<i>Image 1</i>			
1	10368501		RAIL-FILTER
2	10690001		DOOR CATCH ASSY (QTY 2)
3	11034901		NAMEPLATE-AMANA
4	10734606		BOX-FRONT BURNER (M1)
4	10734607		BOX-FRONT BURNER (M2, M3)
4	10734608		BOX-FRONT BURNER (M4, M5)
4	10734609		BOX-FRONT BURNER (M6, M7)
4	10734610		BOX-FRONT BURNER (M8)
5	10727802		ACCESS DOOR-PNT (M1, M2, M3)
5	10727804		ACCESS DOOR-PNT (M4, M5)
5	10727806		ACCESS DOOR-PNT (M6, M7, M8)
6	10727714		BLOWER-DOOR-PNT (M1, M2, M3)
6	10727716		BLOWER-DOOR-PNT (M4, M5)
6	10727718		BLOWER-DOOR-PNT (M6, M7, M8)
7	M0571001		BUSHING-SNAP
8	M0216529		SCREW-SM (QTY 6)
9	10727420		BACK PANEL-PNT (M1, M2, M3)
9	10727422		BACK PANEL-PNT (M4, M5)
9	10727424		BACK PANEL-PNT (M6, M7, M8)
10	10727116		L SIDE PANEL-PNT
11	10727016		R SIDE PANEL-PNT
12	M0219916		SCREW-SM (QTY AR)
13	10690101		STRIKE-DOOR (QTY 2)
14	11104001		SNAP-BUSHING
15	10728404		SUPPORT-PART PAN (M1, M2, M3)
15	10728405		SUPPORT-PART PAN (M4, M5)
15	10728406		SUPPORT-PART PAN (M6, M7, M8)
16	11024501		DECK-PIERCED BLOWER (M3)
16	11024502		DECK-PIERCED BLOWER (M4, M5)
16	11024503		DECK-PIERCED BLOWER (M6)
16	11024504		DECK-PIERCED BLOWER (M1, M2)
16	11024505		DECK-PIERCED BLOWER (M7, M8)
17	11024620		BASEPAN-PNT (M1, M2, M3)
17	11024622		BASEPAN-PNT (M4, M5)
17	11024624		BASEPAN-PNT (M6, M7, M8)
18	A4568804		GROMMET-D (QTY 2)
19	M0310308		PLUG-WHITE BUTTON
20	11001301		GASKET-COMPARTMENT (QTY 2)
21	10690401		SWITCH-INTERLOCK
99	11135201		HARNESS-WIRING

## Expanded Model and Color Nomenclature

M1 - GCIC045CX30	P1207501F
M2 - GCIC070CX30	P1207502F
M3 - GCIC070CX40	P1207503F
M4 - GCIC090CX30	P1207504F
M5 - GCIC090CX50	P1207505F
M6 - GCIC115CX40	P1207506F
M7 - GCIC115CX50	P1207507F
M8 - GCIC140CX50	P1207508F

# Partition Tube Assembly & Collector Box



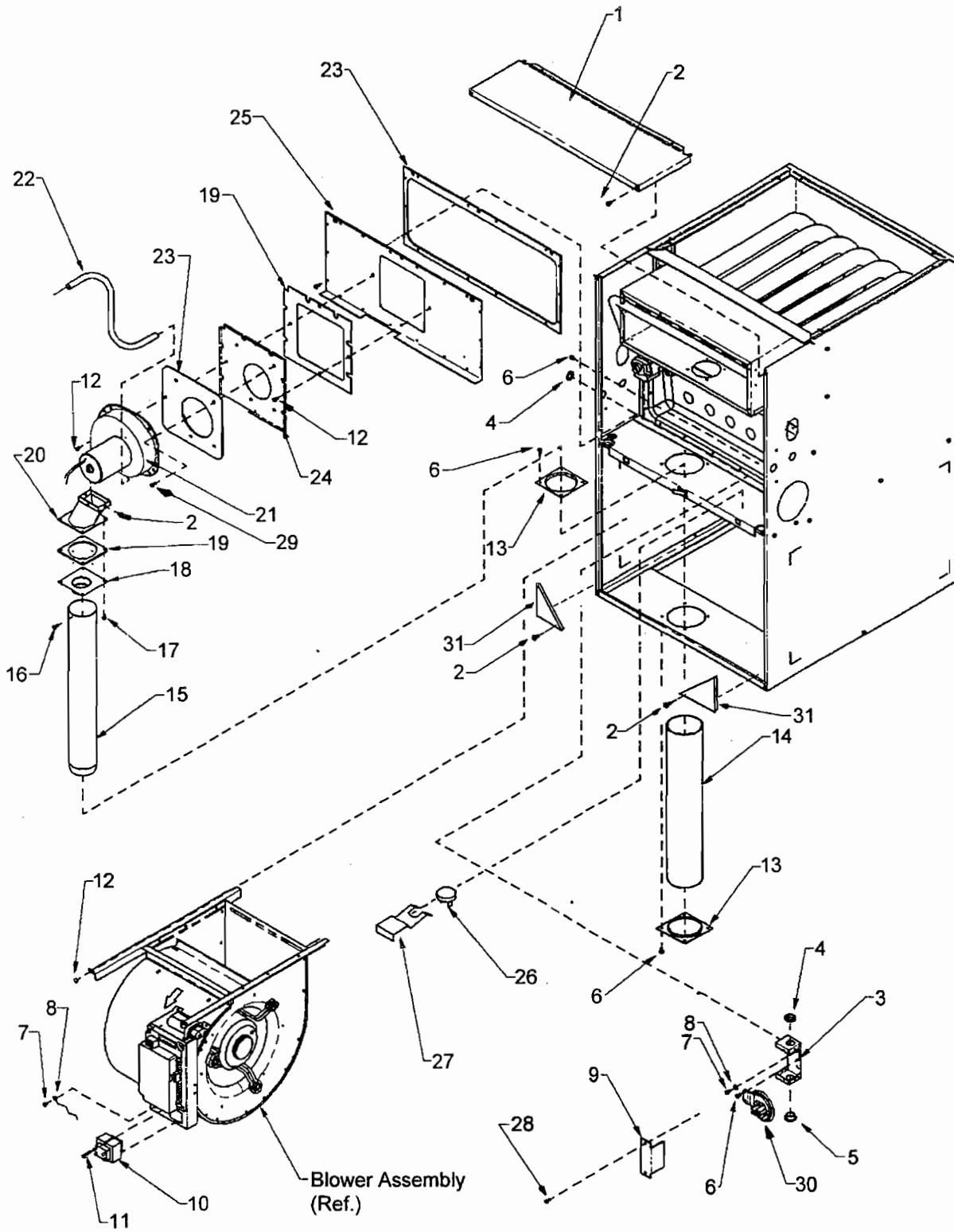
# Partition Tube Assembly & Collector Box

Ref. Part No: No:	Description:	Ref. Part No: No:	Description:
<i>Image 1</i>			
1	11094106		PARTITION/TUBE ASSEMBLY (M1)
1	11094107		PARTITION/TUBE ASSEMBLY (M2, M3)
1	11094108		PARTITION/TUBE ASSEMBLY (M4, M5)
1	11094109		PARTITION/TUBE ASSEMBLY (M6, M7)
1	11094111		PARTITION/TUBE ASSEMBLY (M8)
2	10728707		LINER-CABINET (M1)
2	10728708		LINER-CABINET (M2, M3)
2	10728709		LINER-CABINET (M4, M5)
2	10728710		LINER-CABINET (M6, M7)
2	10728711		LINER-CABINET (M8)
3	10728601		BRACKET-LINER MOUNTING
4	10728602		BRACKET-LINER MOUNTING
5	11008801		BAFFLE-DECK (M2, M3)
5	11008802		BAFFLE-DECK (M4)
5	11008803		BAFFLE-DECK (M6, M7)
6	10728503		RAIL-PARTITION PANEL
7	10728504		RAIL-PARTITION PANEL
8	11072201		SHIELD-ORIFICE (M1)
8	11072202		SHIELD-ORIFICE (M2, M3)
8	11072203		SHIELD-ORIFICE (M4, M5)
8	11072204		SHIELD-ORIFICE (M6, M7)
8	11072205		SHIELD-ORIFICE (M8)
9	10728302		LIMIT (M7)
9	10728306		LIMIT (M3)
9	10728312		LIMIT (M4)
9	10728318		LIMIT (M1)
9	10728319		LIMIT (M5)
9	10728327		LIMIT (M6)
9	10728328		LIMIT (M2)
9	10728329		LIMIT (M8)
10	10624002		INSERT-MESH TUBE (QTY AR)
11	M0219916		SCREW-SM (QTY 10)
12	M0224303		SCREW-SM (QTY AR)
13	11072401		GASKET-LINER (QTY 2)
14	11008306		BAFFLE-LINER (QTY AR)
15	M0211020		SCREW-SM (QTY AR)

## Expanded Model and Color Nomenclature

M1 - GCIC045CX30	P1207501F
M2 - GCIC070CX30	P1207502F
M3 - GCIC070CX40	P1207503F
M4 - GCIC090CX30	P1207504F
M5 - GCIC090CX50	P1207505F
M6 - GCIC115CX40	P1207506F
M7 - GCIC115CX50	P1207507F
M8 - GCIC140CX50	P1207508F

# Vent System & Controls

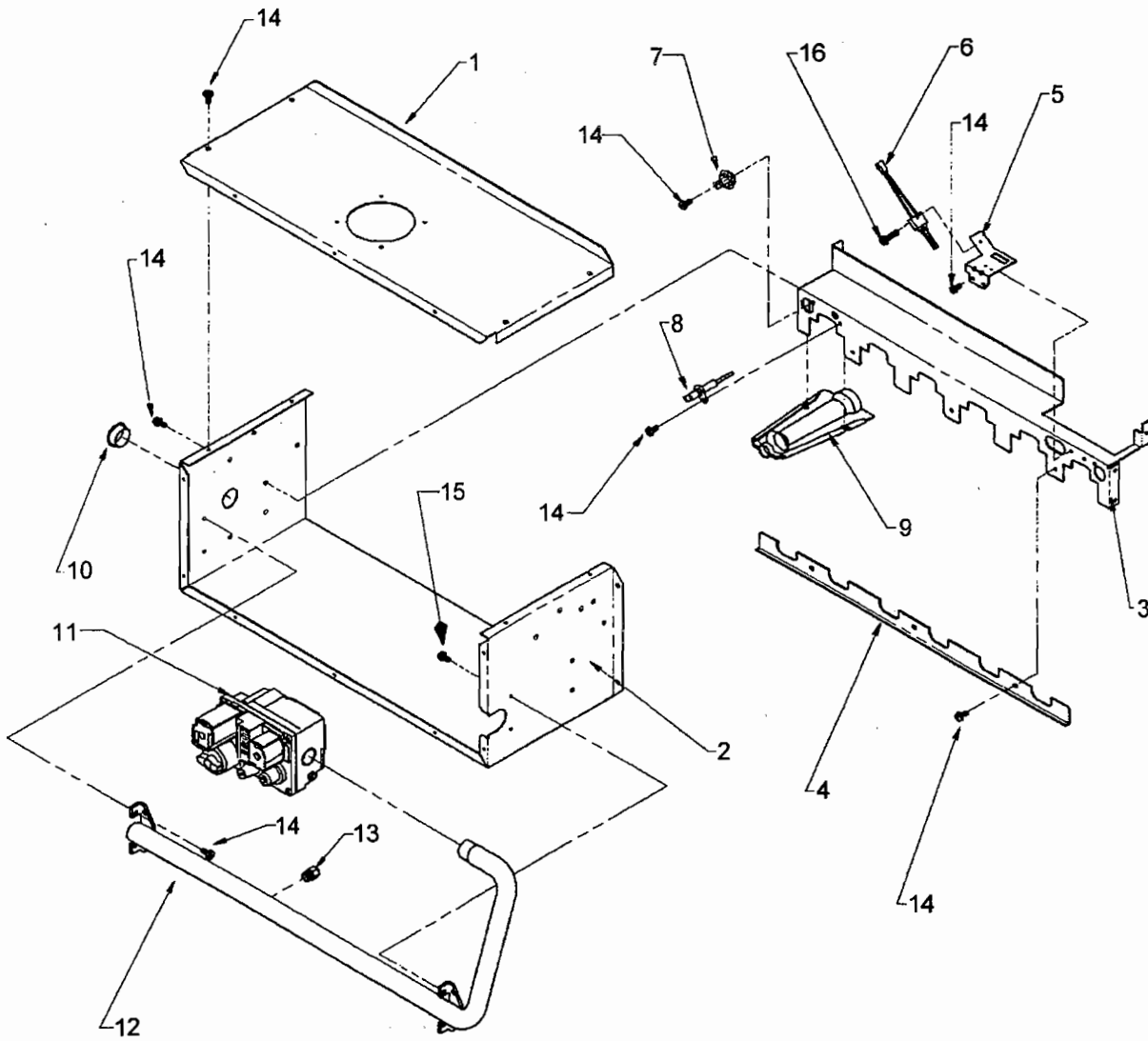


# Vent System & Controls

Ref. Part No:	No:	Description:
<i>Image 1</i>		
1	10779126	TOP COVER-PNT (M1, M2, M3)
1	10779128	TOP COVER-PNT (M4, M5)
1	10779130	TOP COVER-PNT (M6, M7, M8)
2	M0219916	SCREW-SM (QTY 4)
3	10736102	BOX-HIGH VOLTAGE
4	A4554801	BUSHING-SNAP
5	M0571002	BUSHING-SNAP (QTY 2)
6	M0216529	SCREW-SM (QTY 2)
7	M0227803	SCREW-TC
8	M0270001	WASHER-CUP
9	10736201	COVER-HV BOX
10	C6349701	TRANSFORMER
11	M0216536	SCREW-SM (QTY 2)
12	M0219918	SCREW-SM (QTY AR)
13	11034702	VENT TUBE BRACKET-PNT (M1, M2, M3, M4, M5, M6, M7) (QTY 2)
13	11034704	VENT TUBE BRACKET-PNT (M8) (QTY 2)
14	11022002	TUBE-VENT
15	B9268909	PIPE-FLUE
16	M0233716	SCREW-SD
17	M0253516	SCREW-TR (QTY 4)
18	11009703	TOP-TRANSITION PLATE
19	10764601	GASKET-ROTATE PLATE
20	11072301	TRANSITION-INDUCED DRAFT BLOWER
21	10585403	BLOWER-INDUCED DRAFT
22	B1410304	HOSE-PRESSURE SWITCH
23	11142201	GASKET-COLLECTOR/INDUCED DRAFT (M1, M2, M3)
23	11142202	GASKET-COLLECTOR/INDUCED DRAFT (M4, M5)
23	11142203	GASKET-COLLECTOR/INDUCED DRAFT (M6, M7, M8)
24	10764309	PLATE-ROTATING (M2, M3)
24	10764313	PLATE-ROTATING (M4, M5, M6, M7, M8)
24	10764315	PLATE-ROTATING (M1)
25	10764404	PLATE-ROTATING (M1, M2, M3)
25	10764405	PLATE-ROTATING (M4, M5)
25	10764406	PLATE-ROTATING (M6, M7, M8)
26	10123506	LIMIT-RESET MANUAL
27	10861101	BRACKET-AUXILLARY LIMIT
28	M0216716	SCREW-SM (QTY 12)
29	M0211021	SCREW-SM
30	10727913	SWITCH-PRESSURE
31	11094902	CORNER BRKT PNT (QTY 2)

Ref. Part No:	No:	Description:
<b>Expanded Model and Color Nomenclature</b>		
M1 - GCIC045CX30		P1207501F
M2 - GCIC070CX30		P1207502F
M3 - GCIC070CX40		P1207503F
M4 - GCIC090CX30		P1207504F
M5 - GCIC090CX50		P1207505F
M6 - GCIC115CX40		P1207506F
M7 - GCIC115CX50		P1207507F
M8 - GCIC140CX50		P1207508F

# Manifold Assembly



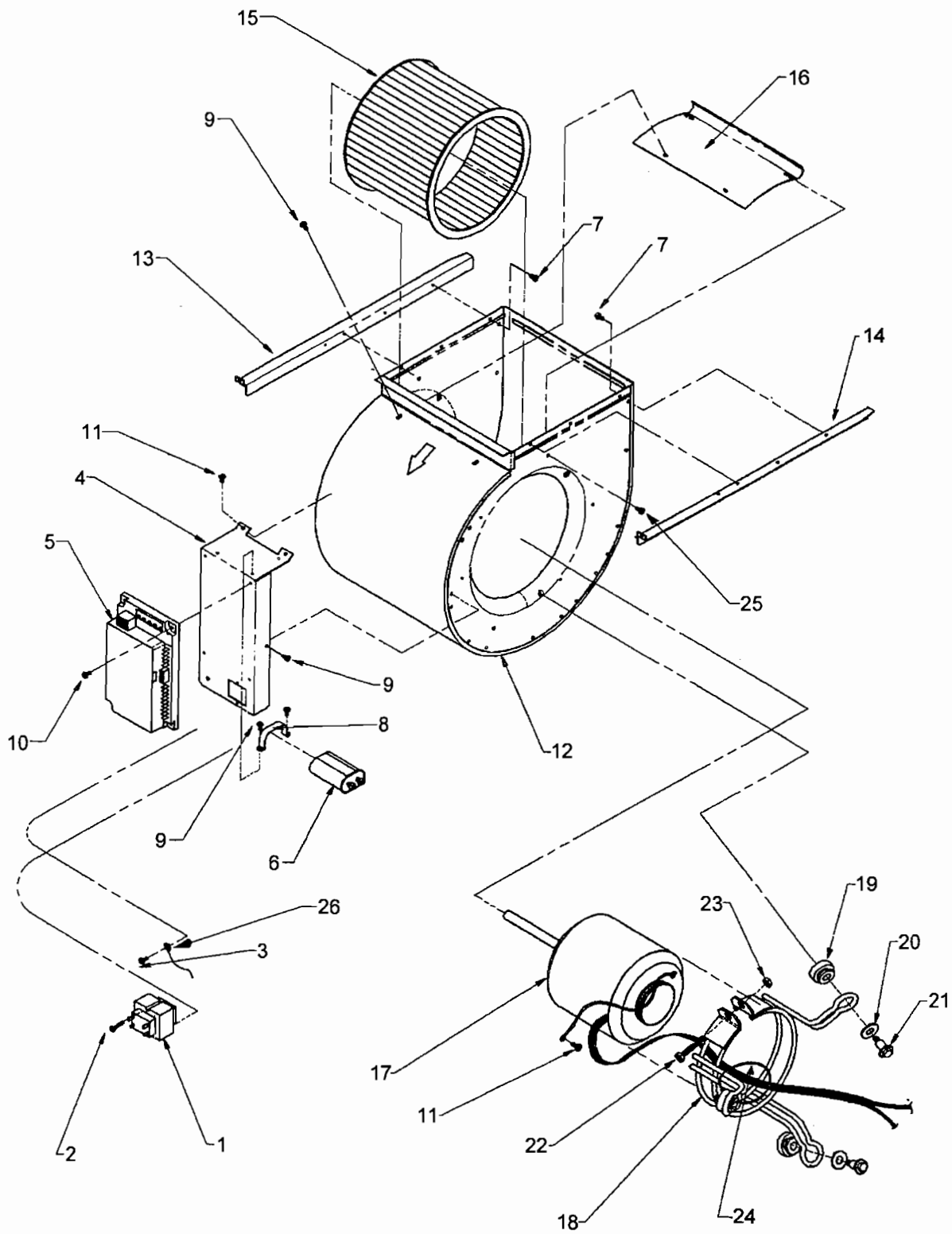
# Manifold Assembly

Ref. Part No: No:	Description:	Ref. Part No: No:	Description:
<i>Image 1</i>			
1	10734501		TOP-BOX BURNER (M1)
1	10734502		TOP-BOX BURNER (M2, M3)
1	10734503		TOP-BOX BURNER (M4, M5)
1	10734504		TOP-BOX BURNER (M6, M7)
1	10734505		TOP-BOX BURNER (M8)
2	10734410		BOX-BURNER (M1)
2	10734411		BOX-BURNER (M2, M3)
2	10734412		BOX-BURNER (M4, M5)
2	10734413		BOX-BURNER (M6, M7)
2	10734414		BOX-BURNER (M8)
3	11008101		BRACKET-BURNER (M1)
3	11008102		BRACKET-BURNER (M2, M3)
3	11008103		BRACKET-BURNER (M4, M5)
3	11008104		BRACKET-BURNER (M6, M7)
3	11008105		BRACKET-BURNER (M8)
4	10734701		BRACKET-LOCK BURNER (M1)
4	10734702		BRACKET-LOCK BURNER (M2, M3)
4	10734703		BRACKET-LOCK BURNER (M4, M5)
4	10734704		BRACKET-LOCK BURNER (M6, M7)
4	10734705		BRACKET-LOCK BURNER (M8)
5	11008703		BRACKET-SENSOR
6	10735002		IGNITOR
7	10123509		LIMIT-RESET MANUAL (M2, M3, M6, M7, M8)
7	10123511		LIMIT-RESET MANUAL (M1)
7	10123512		LIMIT-RESET MANUAL (M4, M5)
8	10735201		FLAME-SENSOR
9	10735102		BECKETT BURNER (QTY AR)
10	A4554801		BUSHING-SNAP
11	10671101		VALVE-GAS
12	10568801		MANIFOLD (M1)
12	10568802		MANIFOLD (M2, M3)
12	10568803		MANIFOLD (M4, M5)
12	10568804		MANIFOLD (M6, M7)
12	10568805		MANIFOLD (M8)
13	10716003		ORIFICE (QTY AR)
14	M0216529		SCREW-SM (QTY AR)
15	M0253516		SCREW-TR (QTY 2)
16	M0216519		SCREW-SM

## Expanded Model and Color Nomenclature

M1 - GCIC045CX30	P1207501F
M2 - GCIC070CX30	P1207502F
M3 - GCIC070CX40	P1207503F
M4 - GCIC090CX30	P1207504F
M5 - GCIC090CX50	P1207505F
M6 - GCIC115CX40	P1207506F
M7 - GCIC115CX50	P1207507F
M8 - GCIC140CX50	P1207508F

# Blower Assembly & Integrated Control



# Blower Assembly & Integrated Control

Ref. Part No:	No:	Description:
<i>Image 1</i>		
1	C6349701	TRANSFORMER
2	M0216536	SCREW-SM (QTY 2)
3	M0227803	SCREW-TC
4	10746201	BRACKET-CONTROL
5	10207704	CONTROL-INTEGRATED
6	10099902	CAPACITOR (M2)
6	D6859325	CAPACITOR (M1, M3, M6)
6	D6879739	CAPACITOR (M4)
6	D6879740	CAPACITOR (M5, M7, M8)
7	M0253516	SCREW-TR (QTY 6)
8	A3410501	STRAP-CAPACITOR (M4, M5, M7, M8)
8	A4055402	STRAP-CAPACITOR (M1, M2, M3, M6)
9	M0211016	SCREW-SM (QTY 5)
10	M0216531	SCREW-SM (QTY 2)
11	M0233716	SCREW-SD (QTY 3)
12	10745602	BLOWER HOUSING WELD-PNT (M1, M2)
12	10745604	BLOWER HOUSING WELD-PNT (M3)
12	10745606	BLOWER HOUSING WELD-PNT (M6)
12	10745608	BLOWER HOUSING WELD-PNT (M4, M5)
12	10745610	BLOWER HOUSING WELD-PNT (M7, M8)
13	10744902	RAIL-SIDE BLOWER
14	10744901	RAIL-SIDE BLOWER
15	D6723301	WHEEL-BLOWER (M1, M2)
15	D6723302	WHEEL-BLOWER (M4, M5)
15	D6723303	WHEEL-BLOWER (M7, M8)
15	D6723310	WHEEL-BLOWER (M6)
15	D6723316	WHEEL-BLOWER (M3)
16	C6121802	CUTOFF (M3)
16	C6121803	CUTOFF (M6)
16	C6121806	CUTOFF (M7, M8)
16	C6121810	CUTOFF (M1,M2, M4, M5)
17	10759205	MOTOR-BLOWER 1/2 HP (M3)
17	10759301	MOTOR-BLOWER 1/2 HP (M4)
17	10759304	MOTOR-BLOWER 1/2 HP (M6)
17	10759203	MOTOR-BLOWER 1/3 HP (M1)
17	10759204	MOTOR-BLOWER 1/3 HP (M2)
17	10759404	MOTOR-BLOWER 3/4 HP (M5)
17	10759405	MOTOR-BLOWER 3/4 HP (M7, M8)
18	C9443701	BRACKET-MOTOR MOUNT (M7, M8)
18	C9443702	BRACKET-MOTOR MOUNT (M3, M4, M5, M6)
18	C9446702	BRACKET-MOTOR MOUNT (M1, M2)
19	A4002702	GROMMET (QTY 3)
20	M0274008	WASHER-FLAT (QTY 3)
21	M0221461	SCREW-TC (QTY 3)
22	M0267144	SCREW-MACH
23	M0282015	NUT-KEPS
24	M0321202	TIE-ELEC
25	M0211020	SCREW-SM (QTY 2)
26	M0270001	WASHER-CUP

Ref. Part No:	No:	Description:
---------------	-----	--------------

## Expanded Model and Color Nomenclature

M1 - GCIC045CX30	P1207501F
M2 - GCIC070CX30	P1207502F
M3 - GCIC070CX40	P1207503F
M4 - GCIC090CX30	P1207504F
M5 - GCIC090CX50	P1207505F
M6 - GCIC115CX40	P1207506F
M7 - GCIC115CX50	P1207507F
M8 - GCIC140CX50	P1207508F

3

2

1