

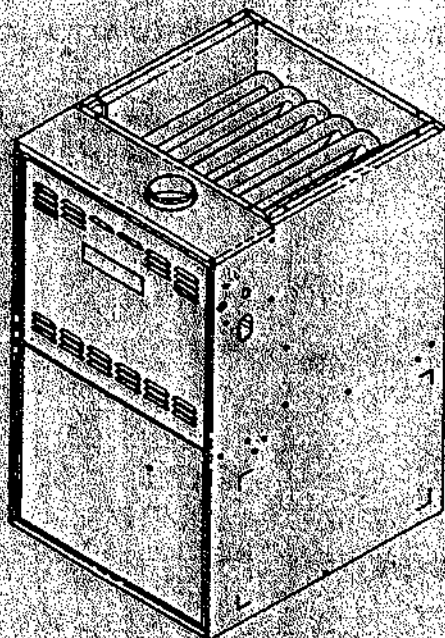
Models and manufacturing  
numbers in this manual

# Parts

## GUIC Gas Furnace

Parts Manual for  
Amana®

GUIC045CA30 P1207601F  
GUIC045CX30 P1207401F  
GUIC070CA30 P1207602F  
GUIC070CA40 P1207603F  
GUIC070CX30 P1207402F  
GUIC070CX40 P1207403F  
GUIC090CA30 P1207604F  
GUIC090CA50 P1207605F  
GUIC090CX30 P1207404F  
GUIC090CX50 P1207405F  
GUIC115CA40 P1207606F  
GUIC115CA50 P1207607F  
GUIC115CX40 P1207406F  
GUIC115CX50 P1207407F  
GUIC140CA50 P1207608F  
GUIC140CX50 P1207408F



This manual is to be used by qualified appliance technicians only. Amana Refrigeration Inc. does not assume any responsibility for property damage or personal injury for improper service procedures done by an unqualified person.

**Amana**  
A Raytheon Company

RP6620009  
Revision 0  
January 1996

## Important Information

Pride and workmanship go into every product to provide our customers with quality products. It is possible, however, that during its lifetime a product may require service. Products should be serviced only by a qualified service technician who is familiar with the safety procedures required in the repair and who is equipped with the proper tools, parts, testing instruments and the appropriate service manual.

REVIEW ALL SERVICE INFORMATION IN THE APPROPRIATE SERVICE MANUAL BEFORE BEGINNING REPAIRS.

## Important Notices



IF REPAIRS ARE ATTEMPTED BY UNQUALIFIED PERSONS, DANGEROUS CONDITIONS (SUCH AS EXPOSURE TO ELECTRICAL SHOCK) MAY RESULT. THIS MAY CAUSE SERIOUS INJURY OR DEATH.



AMANA WILL NOT BE RESPONSIBLE FOR ANY INJURY OR PROPERTY DAMAGE ARISING FROM IMPROPER SERVICE OR SERVICE PROCEDURES. IF YOU PERFORM SERVICE ON YOUR OWN PRODUCT, YOU ASSUME RESPONSIBILITY FOR ANY PERSONAL INJURY OR PROPERTY DAMAGE WHICH MAY RESULT.

To locate an authorized servicer, please consult your telephone book or the dealer from whom you purchased this product. For further assistance, please contact:

CONSUMER AFFAIRS DEPT.      OR      1-319-622-5511  
AMANA REFRIGERATION, INC.      CALL      and ask for  
AMANA, IOWA 52204      Consumer Affairs

If outside the United States contact:

AMANA REFRIGERATION, INC.  
ATTN: INTERNATIONAL DIVISION  
AMANA, IOWA 52204, USA  
Telephone: (319) 622-5511  
Facsimile: (319) 622-2180

## RECOGNIZE SAFETY SYMBOLS, WORDS AND LABELS



DANGER - Immediate hazards which WILL result in severe personal injury or death.



WARNING - Hazards or unsafe practices which COULD result in severe personal injury or death.



CAUTION - Hazards or unsafe practices which COULD result in minor personal injury or product or property damage.

## Index

FUNCTIONAL PARTS LIST .....	4 - 5
ILLUSTRATION AND PARTS .....	6 - 13

### Text Codes:

98 - As Required

99 - Not Shown

QTY - Quantity Example (QTY 3) (If Quantity not shown, Quantity = 1)

M - Model Example (M1) (If M Code not shown, then part is used on all Models)

### Expanded Model and Color Nomenclature:

M1 - GUIC045CX30	P1207401F
M2 - GUIC070CX30	P1207402F
M3 - GUIC070CX40	P1207403F
M4 - GUIC090CX30	P1207404F
M5 - GUIC090CX50	P1207405F
M6 - GUIC115CX40	P1207406F
M7 - GUIC115CX50	P1207407F
M8 - GUIC140CX50	P1207408F
M9 - GUIC045CA30	P1207601F
M10 - GUIC070CA30	P1207602F
M11 - GUIC070CA40	P1207603F
M12 - GUIC090CA30	P1207604F
M13 - GUIC090CA50	P1207605F
M14 - GUIC115CA40	P1207606F
M15 - GUIC115CA50	P1207607F
M16 - GUIC140CA50	P1207608F

# Functional Parts

**Part**

**Number: Description:**

---

10585403	BLOWER-INDUCED DRAFT
D6859325	CAPACITOR, 10 MFD, 370V (M1, M3, M6, M9, M11, M14)
D6879739	CAPACITOR, 15 MFD, 370V (M4, M12)
D6879746	CAPACITOR, 20 MFD, 370V (M5, M7, M13, M15)
D6879740	CAPACITOR, 25 MFD, 370V (M8, M16)
10099901	CAPACITOR, 5 MFD, 370V (M2, M10)
10207704	CONTROL-INTEGRATED
10735201	FLAME-SENSOR
10735002	IGNITOR
10728324	LIMIT (M8, M16)
10728322	LIMIT (M1, M9)
10728325	LIMIT (M3, M11)
10728319	LIMIT (M4, M5, M6, M12, M13, M14)
10728304	LIMIT (M7, M15)
10728326	LIMIT (M2, M10)
10123512	LIMIT-RESET MANUAL (M8, M16)
10123510	LIMIT-RESET MANUAL (M2, M3, M4, M5, M10, M11, M12, M13)
10123513	LIMIT-RESET MANUAL (M6, M7, M14, M15)
10123506	LIMIT-RESET MANUAL
10123509	LIMIT-RESET MANUAL (M1, M9)
10759202	MOTOR-BLOWER 1/2 HP (M3, M11)
10759301	MOTOR-BLOWER 1/2 HP (M4, M12)
10759401	MOTOR-BLOWER 1/2 HP (M5, M13)
10759302	MOTOR-BLOWER 1/2 HP (M6, M14)
10759203	MOTOR-BLOWER 1/3 HP (M1, M9)
10759201	MOTOR-BLOWER 1/3 HP (M2, M10)
10759402	MOTOR-BLOWER 3/4 HP (M7, M15)
10759403	MOTOR-BLOWER 3/4 HP (M8, M16)
10716003	ORIFICE (QTY 98)
10690401	SWITCH-INTERLOCK
10727913	SWITCH-PRESSURE
C6349701	TRANSFORMER
C6476904	VALVE-GAS
10735102	Beckett Burner (QTY AR)

# Functional Parts

## Part

Number:    Description:

---

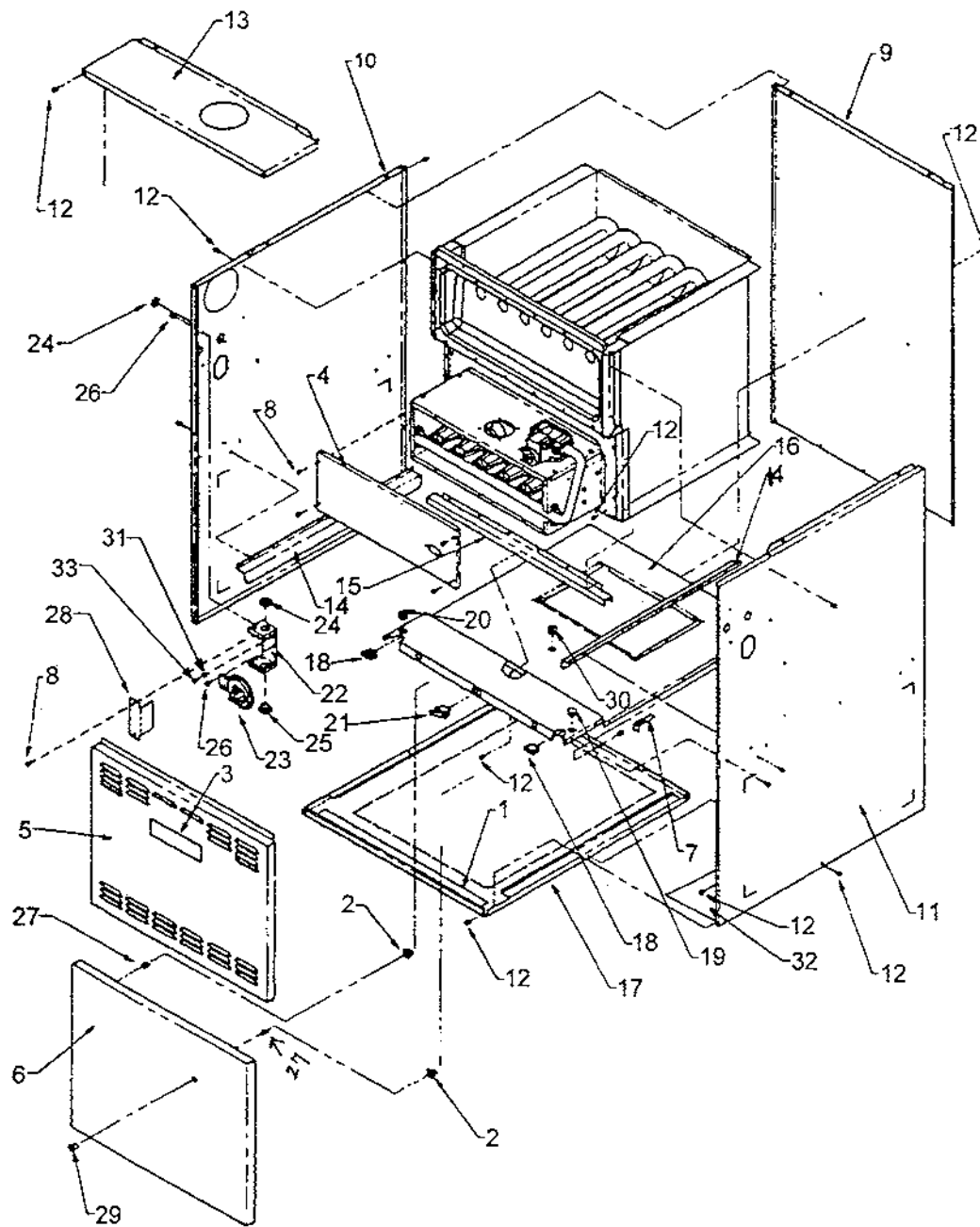
### SPECIAL PARTS

11067325	INSTRUCTIONS-HI ALTITUDE
11067321	INSTRUCTIONS-INSTALLATION
10772901S	INSTRUCTIONS-INSTALLATION
10759813S	INSTRUCTIONS-INSTALLATION
11067324	INSTRUCTIONS-LP
10759610S	MANUAL-USERS
11067322	MANUAL-USERS FR
10759701S	MANUAL-VENTING
RP6620009	PARTS MANUAL

### Expanded Model and Color Nomenclature

M1 - GUIC045CX30	P1207401F
M2 - GUIC070CX30	P1207402F
M3 - GUIC070CX40	P1207403F
M4 - GUIC090CX30	P1207404F
M5 - GUIC090CX50	P1207405F
M6 - GUIC115CX40	P1207406F
M7 - GUIC115CX50	P1207407F
M8 - GUIC140CX50	P1207408F
M9 - GUIC045CA30	P1207601F
M10 - GUIC070CA30	P1207602F
M11 - GUIC070CA40	P1207603F
M12 - GUIC090CA30	P1207604F
M13 - GUIC090CA50	P1207605F
M14 - GUIC115CA40	P1207606F
M15 - GUIC115CA50	P1207607F
M16 - GUIC140CA50	P1207608F

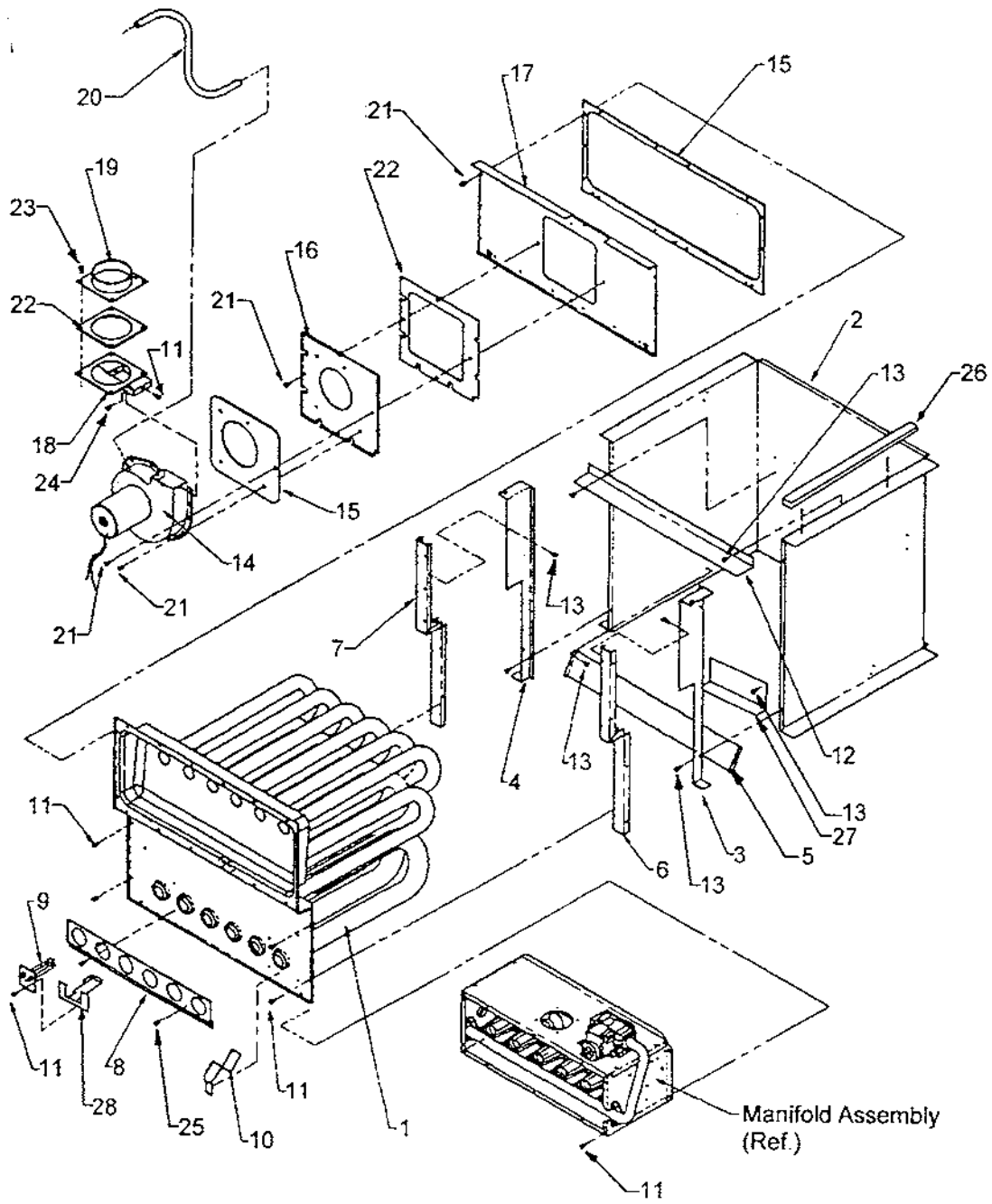
# Cabinet Assembly



# Cabinet Assembly

Ref. Part No:	Part No:	Description:	Ref. Part No:	Part No:	Description:
1	A9020402	RETAINER-FILTER (M4, M5, M12, M13)	22	10736102	BOX-HIGH VOLTAGE
1	A9020403	RETAINER-FILTER (M6, M7, M8, M14, M15, M16)	23	10727913	SWITCH-PRESSURE
1	A9020401	RETAINER-FILTER (M1, M2, M3, M9, M10, M11)	24	M0571002	BUSHING-SNAP (QTY 2)
2	10690001	DOOR CATCH ASSY (QTY 2)	25	A4554801	BUSHING-SNAP
3	11034901	NAMEPLATE-AMANA	26	M0216716	SCREW-SM (QTY 4)
4	10734606	BOX-FRONT BURNER (M1, M9)	27	10690101	STRIKE-DOOR (QTY 2)
4	10734607	BOX-FRONT BURNER (M2, M3, M10, M11)	28	10736201	COVER-HIGH VOLTAGE BOX
4	10734610	BOX-FRONT BURNER (M8, M16)	29	11104001	SNAP-BUSHING
4	10734609	BOX-FRONT BURNER (M6, M7, M14, M15)	30	10123506	LIMIT-RESET MANUAL
4	10734608	BOX-FRONT BURNER (M4, M5, M12, M13)	31	M0270001	WASHER-CUP
5	10727806	ACCESS DOOR-PNT (M6, M7, M8, M14, M15, M16)	32	11094902	CORNER BRACKET-PNT (QTY 2)
5	10727804	ACCESS DOOR-PNT (M4, M5, M12, M13)	33	M0227803	SCREW-TC
5	10727802	ACCESS DOOR-PNT (M1, M2, M3, M9, M10, M11)	Expanded Model and Color Nomenclature		
6	10727714	BLOWER-DOOR-PNT (M1, M2, M3, M9, M10, M11)			
6	10727718	BLOWER-DOOR-PNT (M6, M7, M8, M14, M15, M16)	M1 - GUIC045CX30	P1207401F	
6	10727716	BLOWER-DOOR-PNT (M4, M5, M12, M13)	M2 - GUIC070CX30	P1207402F	
7	10861101	BRACKET-AUXILLARY LIMIT	M3 - GUIC070CX40	P1207403F	
8	M0216529	SCREW-SM (QTY 6)	M4 - GUIC090CX30	P1207404F	
9	10727416	BACK PANEL-PNT (M4, M5, M12, M13)	M5 - GUIC090CX50	P1207405F	
9	10727418	BACK PANEL-PNT (M6, M7, M8, M14, M15, M16)	M6 - GUIC115CX40	P1207406F	
9	10727414	BACK PANEL-PNT (M1, M2, M3, M9, M10, M11)	M7 - GUIC115CX50	P1207407F	
10	10727114	L SIDE PANEL-PNT	M8 - GUIC140CX50	P1207408F	
11	10727014	R SIDE PANEL-PNT	M9 - GUIC045CA30	P1207601F	
12	M0219916	SCREW-SM (QTY 98)	M10 - GUIC070CA30	P1207602F	
13	10779124	TOP COVER-PNT (M6, M7, M8, M14, M15, M16)	M11 - GUIC070CA40	P1207603F	
13	10779122	TOP COVER-PNT (M4, M5, M12, M13)	M12 - GUIC090CA30	P1207604F	
13	10779120	TOP COVER-PNT (M1, M2, M3, M9, M10, M11)	M13 - GUIC090CA50	P1207605F	
14	10690301	ANGLE-FILTER (QTY 2)	M14 - GUIC115CA40	P1207606F	
15	10728401	SUPPORT-PARTITION PANEL (M1, M2, M3, M9, M10, M11)	M15 - GUIC115CA50	P1207607F	
15	10728402	SUPPORT-PARTITION PANEL (M4, M5, M12, M13)	M16 - GUIC140CA50	P1207608F	
15	10728403	SUPPORT-PARTITION PANEL (M6, M7, M8, M14, M15, M16)			
16	11034804	DECK-BLOWER (M1, M2, M9, M10)			
16	11034803	DECK-BLOWER (M6, M14)			
16	11034802	DECK-BLOWER (M4, M5, M12, M13)			
16	11034801	DECK-BLOWER (M3, M11)			
16	11034805	DECK-BLOWER (M7, M8, M15, M16)			
17	10727510	BASEPAN-PNT (M4, M5, M12, M13)			
17	10727508	BASEPAN-PNT (M1, M2, M3, M9, M10, M11)			
17	10727512	BASEPAN-PNT (M6, M7, M8, M14, M15, M16)			
18	A4568804	GROMMET-D (QTY 2)			
19	M0310308	PLUG-WHITE BUTTON			
20	M0571001	BUSHING-SNAP			
21	10690401	SWITCH-INTERLOCK			

# Partition Tube Assembly & Collector Box



# Partition Tube Assembly & Collector Box

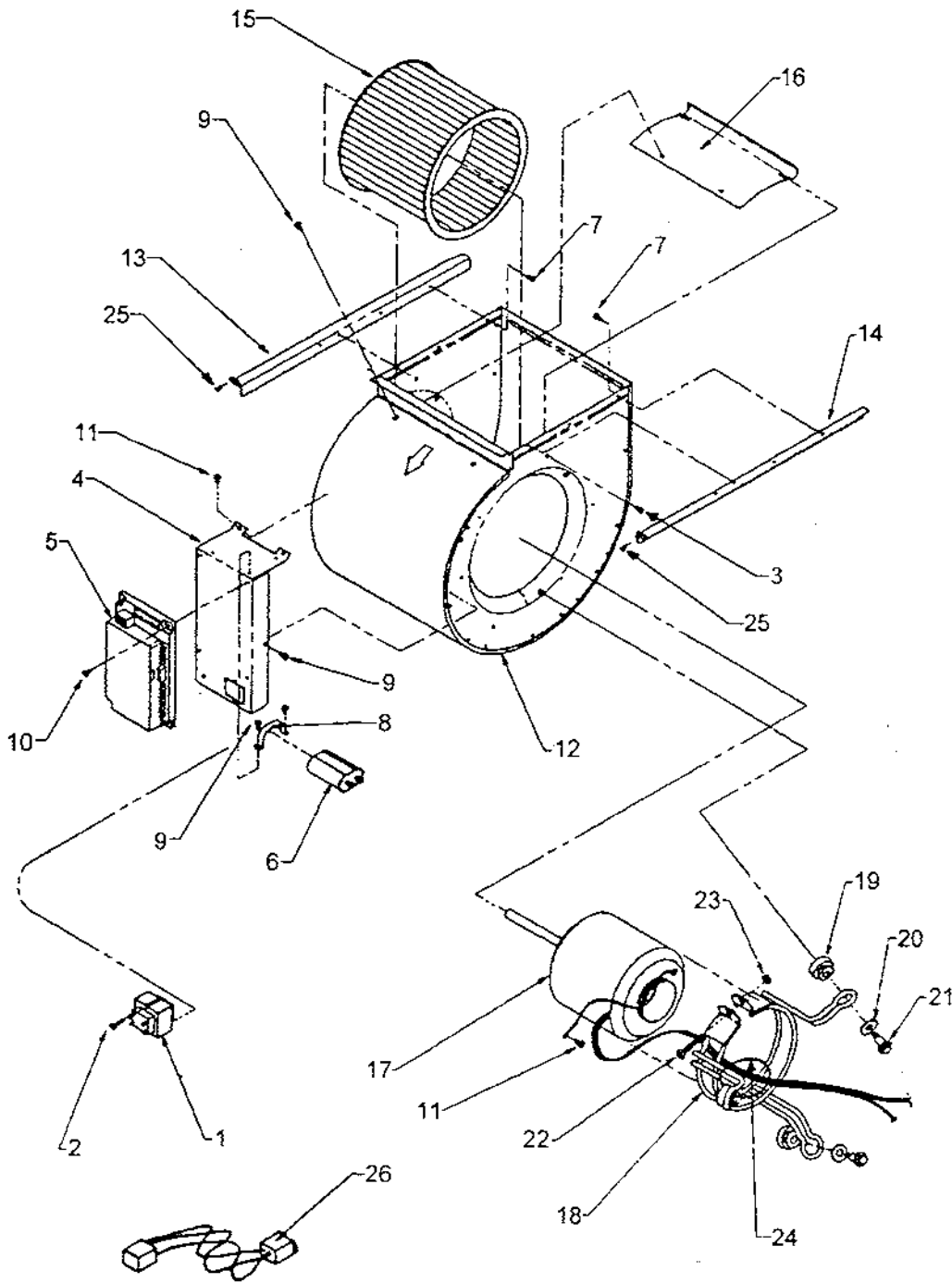
Ref. Part No:	Ref. Part No:	Description:
1	11094107	PARTITION/TUBE ASSEMBLY (M2, M3, M10, M11)
1	11094106	PARTITION/TUBE ASSEMBLY (M1, M9)
1	11094108	PARTITION/TUBE ASSEMBLY (M4, M5, M12, M13)
1	11094109	PARTITION/TUBE ASSEMBLY (M6, M7, M14, M15)
1	11094110	PARTITION/TUBE ASSEMBLY (M8, M16)
2	10728707	LINER-CABINET (M1, M9)
2	10728711	LINER-CABINET (M8, M16)
2	10728710	LINER-CABINET (M6, M7, M14, M15)
2	10728709	LINER-CABINET (M4, M5, M12, M13)
2	10728708	LINER-CABINET (M2, M3, M10, M11)
3	10728601	BRACKET-LINER MOUNTING
4	10728602	BRACKET-LINER MOUNTING
5	11008802	BAFFLE-DECK (M4, M12)
5	11008801	BAFFLE-DECK (M3, M11)
6	10728503	RAIL-PARTITION PANEL
7	10728504	RAIL-PARTITION PANEL
8	11072201	SHIELD-ORIFICE (M1, M9)
8	11072203	SHIELD-ORIFICE (M4, M5, M12, M13)
8	11072205	SHIELD-ORIFICE (M8, M16)
8	11072204	SHIELD-ORIFICE (M6, M7, M14, M15)
8	11072202	SHIELD-ORIFICE (M2, M3, M10, M11)
9	10728304	LIMIT (M7, M15)
9	10728319	LIMIT (M4, M5, M6, M12, M13, M14)
9	10728322	LIMIT (M1, M9)
9	10728324	LIMIT (M8, M16) <i>Primary</i>
9	10728325	LIMIT (M3, M11)
9	10728326	LIMIT (M2, M10)
10	10624002	INSERT-MESH TUBE (M1, M2, M3, M4, M5, M6, M7, M8) (QTY 98)
11	M0219916	SCREW-SM (QTY 98)
12	11008306	BAFFLE-LINER (M1, M9)
12	11008303	BAFFLE-LINER (M4, M5, M12, M13)
12	11008305	BAFFLE-LINER (M8, M16)
12	11008302	BAFFLE-LINER (M2, M3, M10, M11)
12	11008304	BAFFLE-LINER (M6, M7, M14, M15)
13	M0224303	SCREW-SM (QTY 98)
14	10585403	BLOWER-INDUCED DRAFT
15	11142202	GASKET COLLECTOR/INDUCED DRAFT (M4, M5, M12, M13)
15	11142203	GASKET COLLECTOR/INDUCED DRAFT (M6, M7, M8, M14, M15, M16)
15	11142201	GASKET COLLECTOR/INDUCED DRAFT (M1, M2, M3, M9, M10, M11)
16	10764301	PLATE-ROTATING (M1, M9)
16	10764313	PLATE-ROTATING (M6, M7, M8, M14, M15, M16)
16	10764308	PLATE-ROTATING (M2, M3, M10, M11)
16	10764304	PLATE-ROTATING (M4, M5, M12, M13)
17	10764404	PLATE-ROTATING (M1, M2, M3, M9, M10, M11)
17	10764406	PLATE-ROTATING (M6, M7, M8, M14, M15, M16) <i>PKB</i>
17	10764405	PLATE-ROTATING (M4, M5, M12, M13)
18	11072301	TRANSITION-INDUCED DRAFT BLOWER
19	11009701	TOP-TRANSITION PLATE

Ref. Part No:	Ref. Part No:	Description:
20	B1410304	HOSE-PRESSURE SWITCH
21	M0219918	SCREW-SM (QTY 98)
22	10764601	GASKET-ROTATE PLATE
23	M0253516	SCREW-TR (QTY 4)
24	M0211021	SCREW-SM
25	M0211020	SCREW-SM (QTY 98)
26	11072401	GASKET-LINER (QTY 2)
27	11008306	BAFFLE-LINER
28	11094802	BAFFLE-LIMIT (M4, M5, M6, M7, M12, M13, M14, M15)

## Expanded Model and Color Nomenclature

M1 - GUIC045CX30	P1207401F
M2 - GUIC070CX30	P1207402F
M3 - GUIC070CX40	P1207403F
M4 - GUIC090CX30	P1207404F
M5 - GUIC090CX50	P1207405F
M6 - GUIC115CX40	P1207406F
M7 - GUIC115CX50	P1207407F
M8 - GUIC140CX50	P1207408F
M9 - GUIC045CA30	P1207601F
M10 - GUIC070CA30	P1207602F
M11 - GUIC070CA40	P1207603F
M12 - GUIC090CA30	P1207604F
M13 - GUIC090CA50	P1207605F
M14 - GUIC115CA40	P1207606F
M15 - GUIC115CA50	P1207607F
M16 - GUIC140CA50	P1207608F

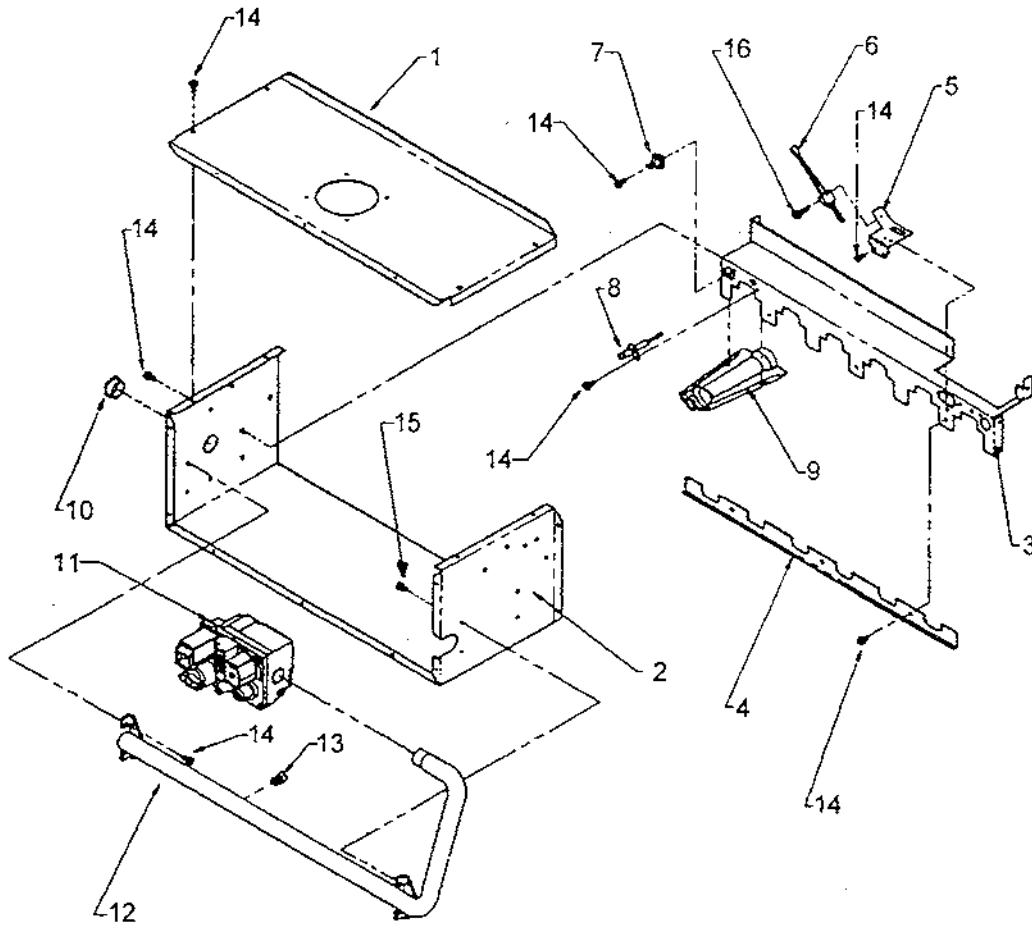
# Blower Assembly & Integrated Control



# Blower Assembly & Integrated Control

Ref. Part No:	Part No:	Description:	Ref. Part No:	Part No:	Description:
1	C6349701	TRANSFORMER	22	M0267144	SCREW-MACH
2	M0216536	SCREW-SM (QTY 2)	23	M0282015	NUT-KEPS
3	M0211020	SCREW-SM (QTY 2)	24	M0321202	TIE-ELEC
4	10746201	BRACKET-CONTROL	25	M0219916	SCREW-SM (QTY 2)
5	10207704	CONTROL-INTEGRATED	26	11135201	HARNES-WIRING (MAIN)
6	D6879746	CAPACITOR, 20 MFD, 370V (M5, M7, M13, M15)	Expanded Model and Color Nomenclature		
6	10099901	CAPACITOR, 5 MFD, 370V (M2, M10)	M1 - GUIC045CX30	P1207401F	
6	D6859325	CAPACITOR, 10 MFD, 370V (M1, M3, M6, M9, M11, M14)	M2 - GUIC070CX30	P1207402F	
6	D6879740	CAPACITOR, 25 MFD, 370V (M8, M16)	M3 - GUIC070CX40	P1207403F	
6	D6879739	CAPACITOR, 15 MFD, 370V (M4, M12)	M4 - GUIC090CX30	P1207404F	
7	M0253516	SCREW-TR (QTY 6)	M5 - GUIC090CX50	P1207405F	
8	A3410501	STRAP-CAPACITOR (M4, M5, M7, M8, M12, M13, M15, M16)	M6 - GUIC115CX40	P1207406F	
8	A4055402	STRAP-CAPACITOR (M1, M2, M3, M6, M9, M10, M11, M14)	M7 - GUIC115CX50	P1207407F	
9	M0211016	SCREW-SM (QTY 5)	M8 - GUIC140CX50	P1207408F	
10	M0216531	SCREW-SM (QTY 2)	M9 - GUIC045CA30	P1207601F	
11	M0233716	SCREW-SD (QTY 3)	M10 - GUIC070CA30	P1207602F	
12	10745606	BLOWER HOUSING WELD-PNT (M6, M14)	M11 - GUIC070CA40	P1207603F	
12	10745608	BLOWER HOUSING WELD-PNT (M4, M5, M12, M13)	M12 - GUIC090CA30	P1207604F	
12	10745602	BLOWER HOUSING WELD-PNT (M1, M2, M9, M10)	M13 - GUIC090CA50	P1207605F	
12	10745604	BLOWER HOUSING WELD-PNT (M3, M11)	M14 - GUIC115CA40	P1207606F	
12	10745610	BLOWER HOUSING WELD-PNT (M7, M8, M15, M16)	M15 - GUIC115CA50	P1207607F	
13	10744902	RAIL-SIDE BLOWER	M16 - GUIC140CA50	P1207608F	
14	10744901	RAIL-SIDE BLOWER			
15	D6723302	WHEEL-BLOWER (M4, M5, M12, M13)			
15	D6723316	WHEEL-BLOWER (M3, M11)			
15	D6723303	WHEEL-BLOWER (M7, M8, M15, M16)			
15	D6723310	WHEEL-BLOWER (M6, M14)			
15	D6723301	WHEEL-BLOWER (M1, M2, M9, M10)			
16	C6121802	CUTOFF (M3, M11)			
16	C6121810	CUTOFF (M1, M2, M4, M5, M9, M10, M12, M13)			
16	C6121806	CUTOFF (M7, M8, M15, M16)			
16	C6121803	CUTOFF (M6, M14)			
17	10759402	MOTOR-BLOWER 3/4 HP (M7, M15)			
17	10759201	MOTOR-BLOWER 1/3 HP (M2, M10)			
17	10759403	MOTOR-BLOWER 3/4 HP (M8, M16)			
17	10759203	MOTOR-BLOWER 1/3 HP (M1, M9)			
17	10759302	MOTOR-BLOWER 1/2 HP (M6, M14)			
17	10759301	MOTOR-BLOWER 1/2 HP (M4, M12)			
17	10759401	MOTOR-BLOWER 1/2 HP (M5, M13)			
17	10759202	MOTOR-BLOWER 1/2 HP (M3, M11)			
18	C9446702	BRACKET-MOTOR MOUNT (M1, M2, M9, M10)			
18	C9443701	BRACKET-MOTOR MOUNT (M7, M8, M15, M16)			
18	C9443702	BRACKET-MOTOR MOUNT (M3, M4, M5, M6, M11, M12, M13, M14)			
19	A4002702	GROMMET (QTY 3)			
20	M0274008	WASHER-FLAT (QTY 3)			
21	M0221461	SCREW-TC (QTY 3)			

# Manifold Assembly



# Manifold Assembly

Ref. Part No:	Part No:	Description:	Ref. Part No:	Part No:	Description:
1	10734502	TOP-BOX BURNER (M2, M3, M10, M11)	Expanded Model and Color Nomenclature		
1	10734501	TOP-BOX BURNER (M1, M9)	M1 - GUIC045CX30		P1207401F
1	10734504	TOP-BOX BURNER (M6, M7, M14, M15)	M2 - GUIC070CX30		P1207402F
1	10734505	TOP-BOX BURNER (M8, M16)	M3 - GUIC070CX40		P1207403F
1	10734503	TOP-BOX BURNER (M4, M5, M12, M13)	M4 - GUIC090CX30		P1207404F
2	10734410	BOX-BURNER (M1, M9)	M5 - GUIC090CX50		P1207405F
2	10734412	BOX-BURNER (M4, M5, M12, M13)	M6 - GUIC115CX40		P1207406F
2	10734413	BOX-BURNER (M6, M7, M14, M15)	M7 - GUIC115CX50		P1207407F
2	10734414	BOX-BURNER (M8, M16)	M8 - GUIC140CX50		P1207408F
2	10734411	BOX-BURNER (M2, M3, M10, M11)	M9 - GUIC045CA30		P1207601F
3	11008103	BRACKET-BURNER (M4, M5, M12, M13)	M10 - GUIC070CA30		P1207602F
3	11008101	BRACKET-BURNER (M1, M9)	M11 - GUIC070CA40		P1207603F
3	11008102	BRACKET-BURNER (M2, M3, M10, M11)	M12 - GUIC090CA30		P1207604F
3	11008105	BRACKET-BURNER (M8, M16)	M13 - GUIC090CA50		P1207605F
3	11008104	BRACKET-BURNER (M6, M7, M14, M15)	M14 - GUIC115CA40		P1207606F
4	10734705	BRACKET-LOCK BURNER (M8, M16)	M15 - GUIC115CA50		P1207607F
4	10734702	BRACKET-LOCK BURNER (M2, M3, M10, M11)	M16 - GUIC140CA50		P1207608F
4	10734701	BRACKET-LOCK BURNER (M1, M9)			
4	10734703	BRACKET-LOCK BURNER (M4, M5, M12, M13)			
4	10734704	BRACKET-LOCK BURNER (M6, M7, M14, M15)			
5	11008703	BRACKET-SENSOR			
6	10735002	IGNITOR			
7	10123513	LIMIT-RESET MANUAL (M6, M7, M14, M15)			
7	10123509	LIMIT-RESET MANUAL (M1, M9)			
7	10123510	LIMIT-RESET MANUAL (M2, M3, M4, M5, M10, M11, M12, M13)			
7	10123512	LIMIT-RESET MANUAL (M8, M16)			
8	10735201	FLAME-SENSOR			
9	10735102	BECKETT BURNER (QTY 98)			
10	A4554801	BUSHING-SNAP			
11	C6476904	VALVE-GAS			
12	10568801	MANIFOLD (M1, M9)			
12	10568805	MANIFOLD (M8, M16)			
12	10568804	MANIFOLD (M6, M7, M14, M15)			
12	10568803	MANIFOLD (M4, M5, M12, M13)			
12	10568802	MANIFOLD (M2, M3, M10, M11)			
13	10716003	ORIFICE (QTY 98)			
14	M0216529	SCREW-SM (QTY 17)			
15	M0253516	SCREW-TR (QTY 2)			
16	M0216519	SCREW-SM			

*Rollout*