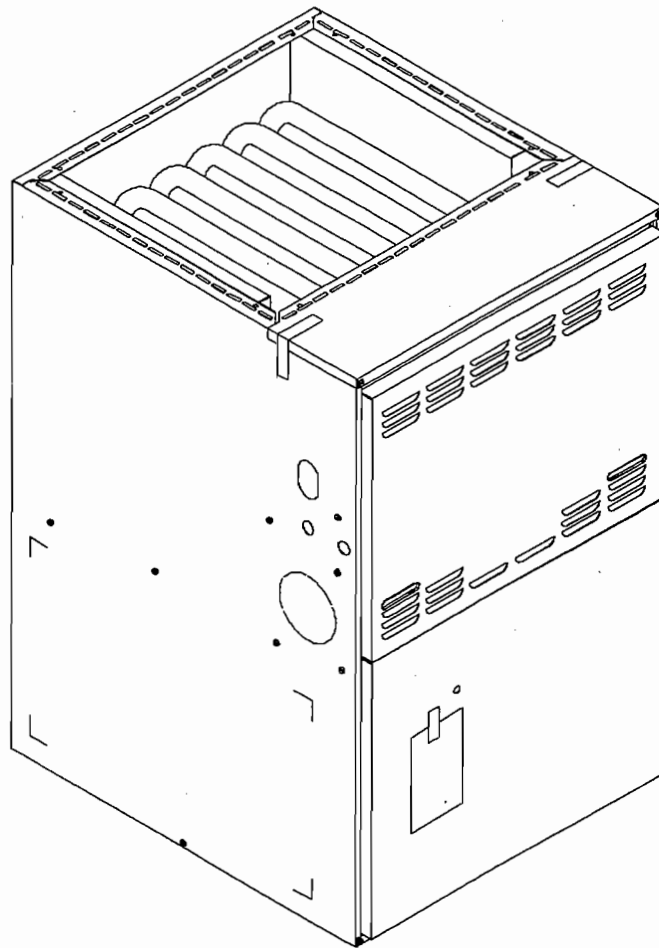


Parts

GCIA Gas Furnace

This manual replaces RP6620013 Rev. 0.



Models and manufacturing numbers in this manual

GCIA045CX30	P1207301F
GCIA070CX30	P1207302F
GCIA070CX40	P1207303F
GCIA090CX30	P1207304F
GCIA090CX50	P1207305F
GCIA115CX40	P1207306F
GCIA115CX50	P1207307F
GCIA140CX50	P1207308F

This manual is to be used by qualified appliance technicians only. Amana does not assume any responsibility for property damage or personal injury for improper service procedures done by an unqualified person.

Amana

RP6620013
Revision 1
March 1999

Important Information

Amana is not responsible for personal injury or property damage resulting from improper service. Review all service information before beginning repairs.

Warranty service must be performed by an authorized technician, using authorized factory parts. If service is required after the warranty expires, Amana also recommends contacting an authorized technician and using authorized factory parts. Locate an authorized technician by calling 800-NATLSVC (800-628-5782).

For assistance within the U.S.A. contact:
Consumer Affairs Department
Amana
2800 220th Trail
Amana IA 52204-0001
319-622-5511--Telephone
319-622-2977--Facsimile

For assistance outside the U.S.A. contact:
International Division
Amana
2800 220th Trail
Amana IA 52204-0001
USA
319-622-5511--Telephone
319-622-8595--Facsimile

Index

Functional Parts List	4 - 5
Illustration and Parts	6 - 15

Views shown are for parts illustrations only, not servicing procedures.

M1,M2 C9446702 was C9443702

Text Codes:

AR - As Required

0000 - Not Shown

QTY - Quantity Example (QTY 3) (If Quantity not shown, Quantity = 1)

M - Model Example (M1) (If M Code not shown, then part is used on all Models)

NA - Not Available

Expanded Model and Color Nomenclature:

Example	
M1 - Model#1	P _____
M2 - Model#2	P _____
M3 - Model#3	P _____

Functional Parts

Part

No:

Description:

11009002	BLOWER-ID
10099902	CAPACITOR (M2)
D6879740	CAPACITOR (M5, M7, M8)
D6879739	CAPACITOR (M4)
D6859325	CAPACITOR (M1, M3, M6)
10207704	CONTROL-INTEG
10735201	FLAME-SENSOR
11135202	HARNESS-WIRING
10735002	IGNITOR
10728328	LIMIT (M2)
10728320	LIMIT (M8)
10728319	LIMIT (M3, M4, M5)
10728318	LIMIT (M1)
10728313	LIMIT (M6)
10728302	LIMIT (M7)
10123511	LIMIT-RESET MAN (M1)
10123509	LIMIT-RESET MAN (M2, M3, M6, M7, M8)
10123506	LIMIT-RESET MAN
10123512	LIMIT-RESET MAN (M4, M5)
10759205	MOTOR-BLOW 1/2 HP (M3)
10759301	MOTOR-BLOW 1/2 HP (M4)
10759304	MOTOR-BLOW 1/2 HP (M6)
10759204	MOTOR-BLOW 1/3 HP (M2)
10759203	MOTOR-BLOW 1/3 HP (M1)
10759404	MOTOR-BLOW 3/4 HP (M5)
10759405	MOTOR-BLOW 3/4 HP (M7, M8)
10716003	ORIFICE (QTY AR)
10690401	SWITCH-INTERLOCK
10727909	SWITCH-PRESSURE (M6, M7)
10727908	SWITCH-PRESSURE (M8)
10727906	SWITCH-PRESSURE (M4, M5)
10727903	SWITCH-PRESSURE (M2, M3)
10727917	SWITCH-PRESSURE (M1)
C6349701	TRANSFORMER
10671101	VALVE-GAS

Functional Parts

Part

No: Description:

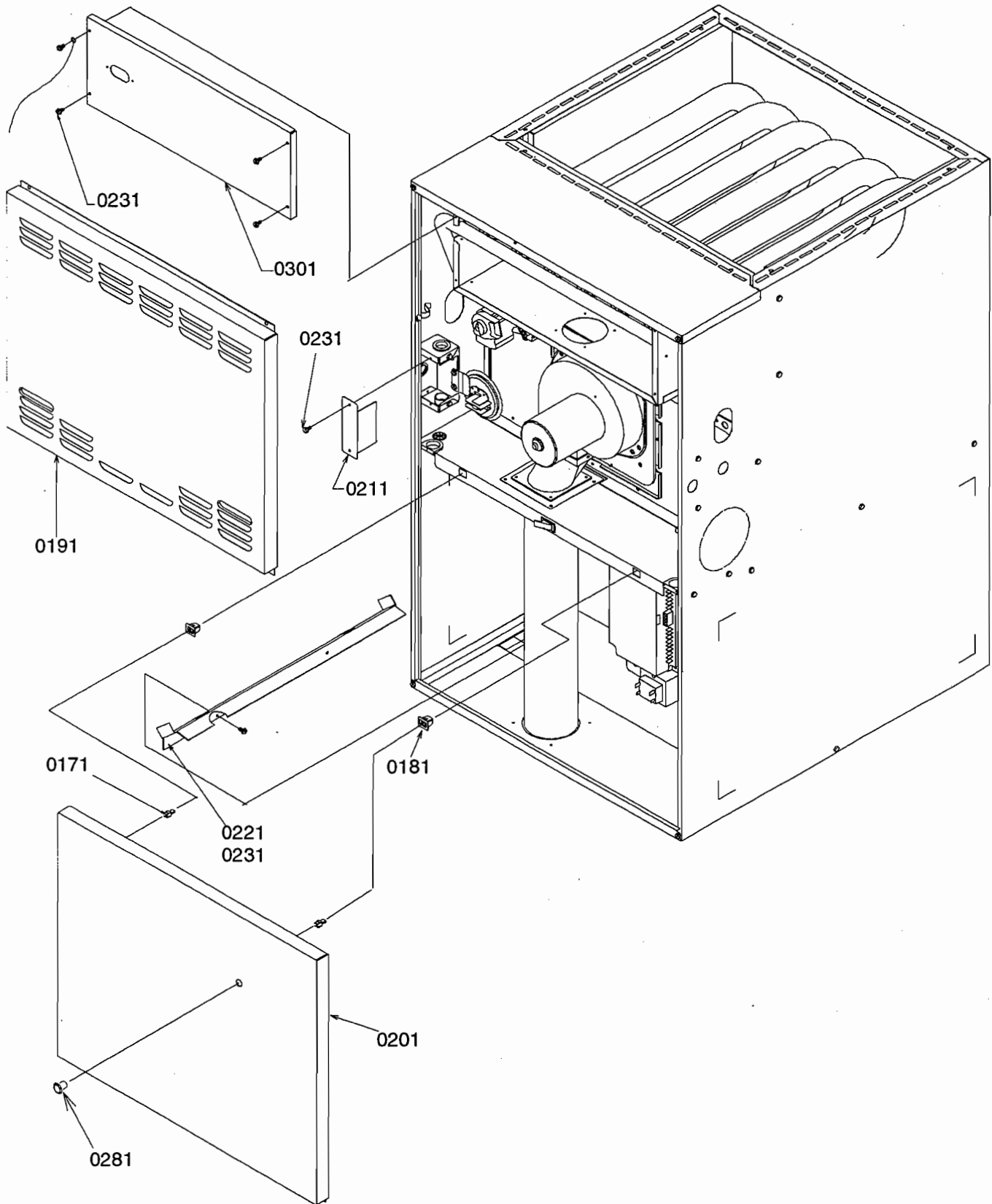
SPECIAL PARTS

10772901 INSTR-INSTAL
10759813 INSTRUCT-INSTAL
10759610 MANUAL-USERS
RP6620013 PARTS MANUAL
RS6620002 SERVICE MANUAL

Expanded Model and Color Nomenclature

M1 - GCIA045CX30	P1207301F
M2 - GCIA070CX30	P1207302F
M3 - GCIA070CX40	P1207303F
M4 - GCIA090CX30	P1207304F
M5 - GCIA090CX50	P1207305F
M6 - GCIA115CX40	P1207306F
M7 - GCIA115CX50	P1207307F
M8 - GCIA140CX50	P1207308F

Front Panels



Front Panels

Ref. Part No:	No:	Description:	Ref. Part No:	No:	Description:
<i>Image 1</i>					
0171	10690101	STRIKE-DOOR (QTY 2)			
0181	10690001	DOOR CATCH ASSY (QTY 2)			
0191	10727802	ACCESS DOOR-PNT (M1, M2, M3)			
0191	10727804	ACCESS DOOR-PNT (M4, M5)			
0191	10727806	ACCESS DOOR-PNT (M6, M7, M8)			
0201	10727714	BLOWER-DOOR-PNT (M1, M2, M3)			
0201	10727716	BLOWER-DOOR-PNT (M4, M5)			
0201	10727718	BLOWER-DOOR-PNT (M6, M7, M8)			
0211	10736201	COVER-HV BOX			
0221	10368501	RAIL-FILTER			
0231	M0216529	SCREW-SM (QTY 8)			
0281	11104001	SNAP-BUSHING CLR			
0301	10734606	BOX-FRONT BNR (M1)			
0301	10734607	BOX-FRONT BNR (M2, M3)			
0301	10734608	BOX-FRONT BNR (M4, M5)			
0301	10734609	BOX-FRONT BNR (M6, M7)			
0301	10734610	BOX-FRONT BNR (M8)			

Expanded Model and Color Nomenclature

M1 - GCIA045CX30	P1207301F
M2 - GCIA070CX30	P1207302F
M3 - GCIA070CX40	P1207303F
M4 - GCIA090CX30	P1207304F
M5 - GCIA090CX50	P1207305F
M6 - GCIA115CX40	P1207306F
M7 - GCIA115CX50	P1207307F
M8 - GCIA140CX50	P1207308F

Partition Tube/Collector Box/Manifold

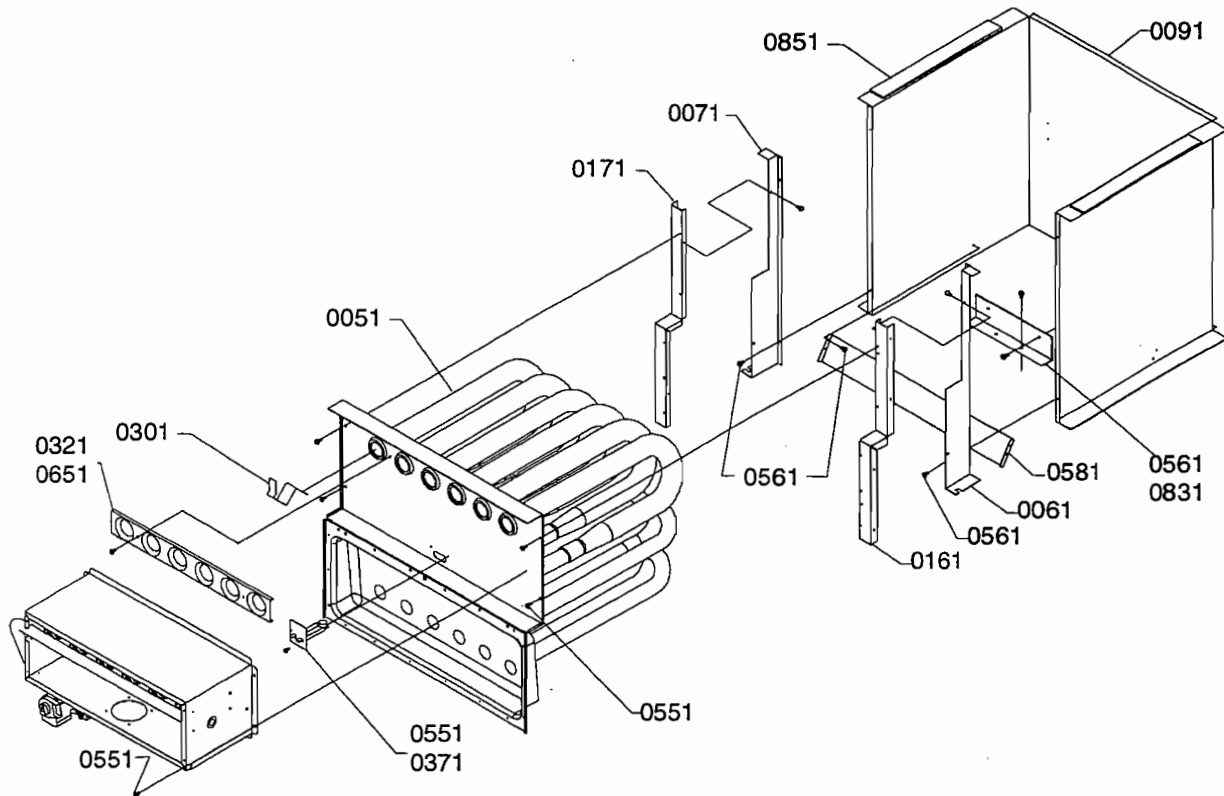
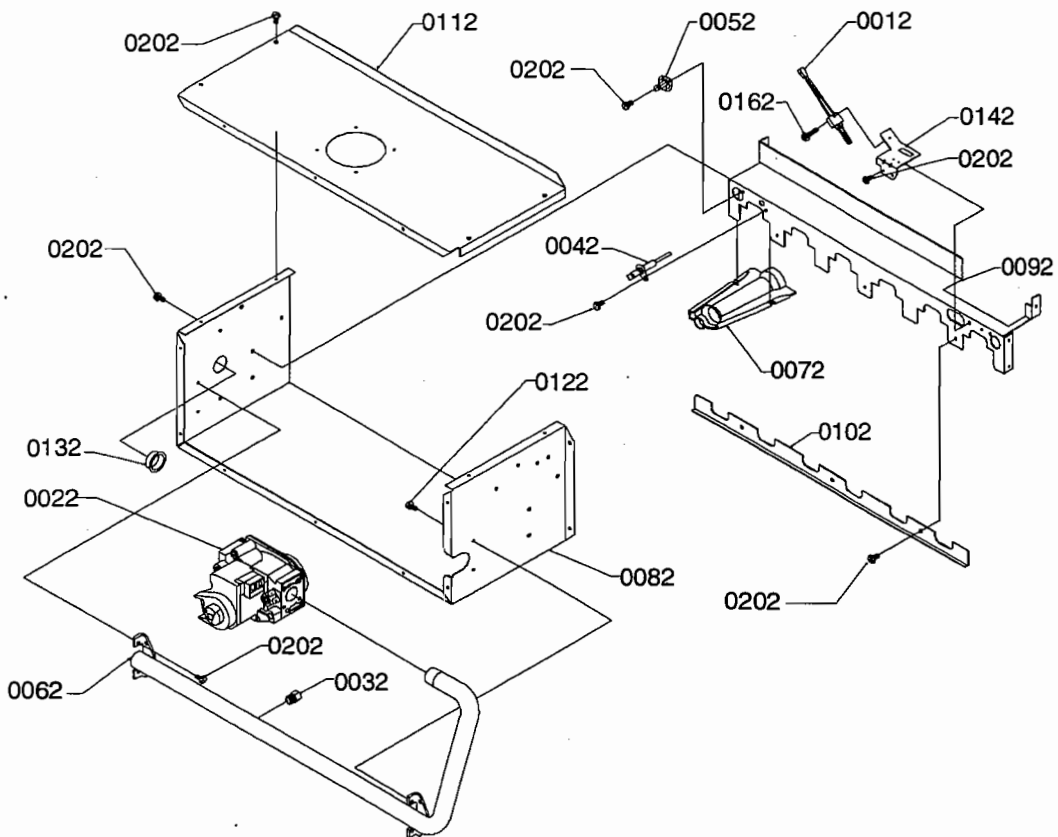


Image 1

Image 2



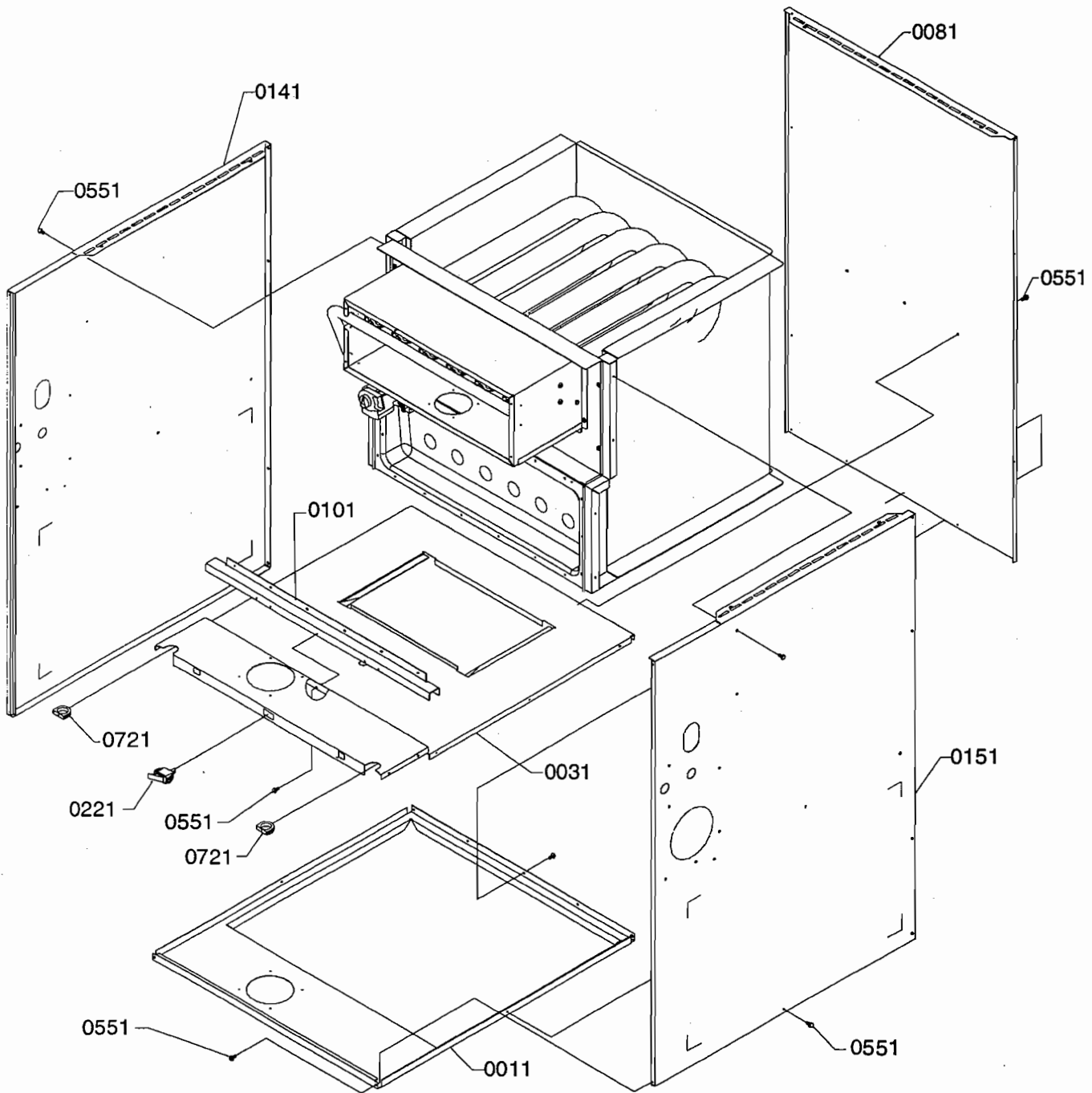
Partition Tube/Collector Box/Manifold

Ref. Part No: No:	Description:	Ref. Part No: No:	Description:
<i>Image 1</i>		0092 11008101	BRKT-BURNER (M1)
0051 11094106	PART/TUBE ASSY (M1)	0092 11008102	BRKT-BURNER (M2, M3)
0051 11094107	PART/TUBE ASSY (M2, M3)	0092 11008103	BRKT-BURNER (M4, M5)
0051 11094108	PART/TUBE ASSY (M4, M5)	0092 11008104	BRKT-BURNER (M6, M7)
0051 11094109	PART/TUBE ASSY (M6, M7)	0092 11008105	BRKT-BURNER (M8)
0051 11094110	PART/TUBE ASSY (M8)	0102 10734701	BRKT-LOCK BURNER (M1)
0061 10728601	BRKT-LINER MTG	0102 10734702	BRKT-LOCK BURNER (M2, M3)
0071 10728602	BRKT-LINER MTG	0102 10734703	BRKT-LOCK BURNER (M4, M5)
0091 10728707	LINER-CABINET (M1)	0102 10734704	BRKT-LOCK BURNER (M6, M7)
0091 10728708	LINER-CABINET (M2, M3)	0102 10734705	BRKT-LOCK BURNER (M8)
0091 10728709	LINER-CABINET (M4, M5)	0112 10734501	TOP-BOX BURNER (M1)
0091 10728710	LINER-CABINET (M6, M7)	0112 10734502	TOP-BOX BURNER (M2, M3)
0091 10728711	LINER-CABINET (M8)	0112 10734503	TOP-BOX BURNER (M4, M5)
0161 10728503	RAIL-PART PANEL	0112 10734504	TOP-BOX BURNER (M6, M7)
0171 10728504	RAIL-PART PANEL	0112 10734505	TOP-BOX BURNER (M8)
0301 10624002	INSERT-MESH TUBE (QTY AR)	0122 M0253516	SCREW-TR (QTY 2)
0321 11072201	SHIELD-ORIFICE (M1)	0132 A4554801	BUSHING-SNAP
0321 11072202	SHIELD-ORIFICE (M2, M3)	0142 11008703	BRKT-SENSOR
0321 11072203	SHIELD-ORIFICE (M4, M5)	0162 M0216519	SCREW-SM
0321 11072204	SHIELD-ORIFICE (M6, M7)	0202 M0216529	SCREW-SM (QTY AR)
0321 11072205	SHIELD-ORIFICE (M8)		
0371 10728302	LIMIT (M7)		
0371 10728313	LIMIT (M6)		
0371 10728318	LIMIT (M1)		
0371 10728319	LIMIT (M3, M4, M5)		
0371 10728320	LIMIT (M8)		
0371 10728328	LIMIT (M2)		
0551 M0219916	SCREW-SM (QTY AR)		
0561 M0224303	SCREW-SM (QTY AR)		
0581 11008801	BAFFLE-DECK (M2, M3)		
0581 11008802	BAFFLE-DECK (M4)		
0581 11008803	BAFFLE-DECK (M6, M7)		
0651 M0211020	SCREW-SM (QTY AR)		
0831 11008306	BAFFLE-LINER		
0851 11072401	GASKET-LINER (QTY 2)		
<i>Image 2</i>			
0012 10735002	IGNITOR		
0022 10671101	VALVE-GAS		
0032 10716003	ORIFICE (QTY AR)		
0042 10735201	FLAME-SENSOR		
0052 10123509	LIMIT-RESET MAN (M2, M3, M6, M7, M8)		
0052 10123511	LIMIT-RESET MAN (M1)		
0052 10123512	LIMIT-RESET MAN (M4, M5)		
0062 10568801	MANIFOLD (M1)		
0062 10568802	MANIFOLD (M2, M3)		
0062 10568803	MANIFOLD (M4, M5)		
0062 10568804	MANIFOLD (M6, M7)		
0062 10568805	MANIFOLD (M8)		
0072 10735102	BECKETT BURNER (QTY AR)		
0082 10734410	BOX-BURNER (M1)		
0082 10734411	BOX-BURNER (M2, M3)		
0082 10734412	BOX-BURNER (M4, M5)		
0082 10734413	BOX-BURNER (M6, M7)		
0082 10734414	BOX-BURNER (M8)		

Expanded Model and Color Nomenclature

M1 - GCIA045CX30	P1207301F
M2 - GCIA070CX30	P1207302F
M3 - GCIA070CX40	P1207303F
M4 - GCIA090CX30	P1207304F
M5 - GCIA090CX50	P1207305F
M6 - GCIA115CX40	P1207306F
M7 - GCIA115CX50	P1207307F
M8 - GCIA140CX50	P1207308F

Outer Cabinet



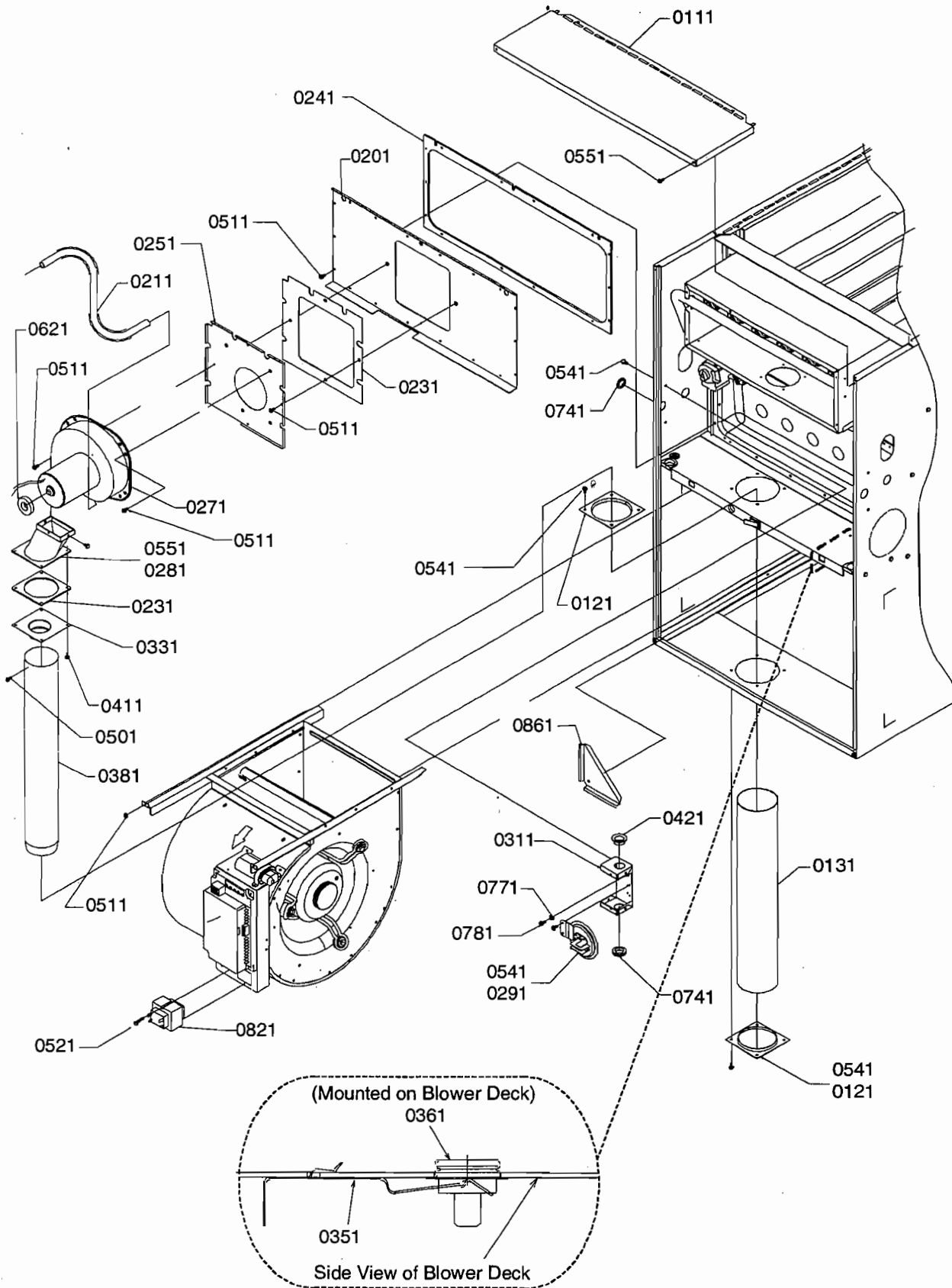
Outer Cabinet

Ref. Part No: No:	Description:	Ref. Part No: No:	Description:
<i>Image 1</i>			
0011 11024620	BASEPAN-PNT (M1, M2, M3)		
0011 11024622	BASEPAN-PNT (M4, M5)		
0011 11024624	BASEPAN-PNT (M6, M7, M8)		
0031 11024501	DECK-PIERCED BLWR (M3)		
0031 11024502	DECK-PIERCED BLWR (M4, M5)		
0031 11024503	DECK-PIERCED BLWR (M6)		
0031 11024504	DECK-PIERCED BLWR (M1, M2)		
0031 11024505	DECK-PIERCED BLWR (M7, M8)		
0081 10727420	BACK PANEL-PNT (M1, M2, M3)		
0081 10727422	BACK PANEL-PNT (M4, M5)		
0081 10727424	BACK PANEL-PNT (M6, M7, M8)		
0101 10728404	SUPPORT-PART PAN (M1, M2, M3)		
0101 10728405	SUPPORT-PART PAN (M4, M5)		
0101 10728406	SUPPORT-PART PAN (M6, M7, M8)		
0141 10727116	L SIDE PANEL-PNT		
0151 10727016	R SIDE PANEL-PNT		
0221 10690401	SWITCH-INTERLOCK		
0551 M0219916	SCREW-SM (QTY AR)		
0721 A4568804	GROMMET-D (QTY 2)		

Expanded Model and Color Nomenclature

M1 - GCIA045CX30	P1207301F
M2 - GCIA070CX30	P1207302F
M3 - GCIA070CX40	P1207303F
M4 - GCIA090CX30	P1207304F
M5 - GCIA090CX50	P1207305F
M6 - GCIA115CX40	P1207306F
M7 - GCIA115CX50	P1207307F
M8 - GCIA140CX50	P1207308F

Vent Systems/Controls



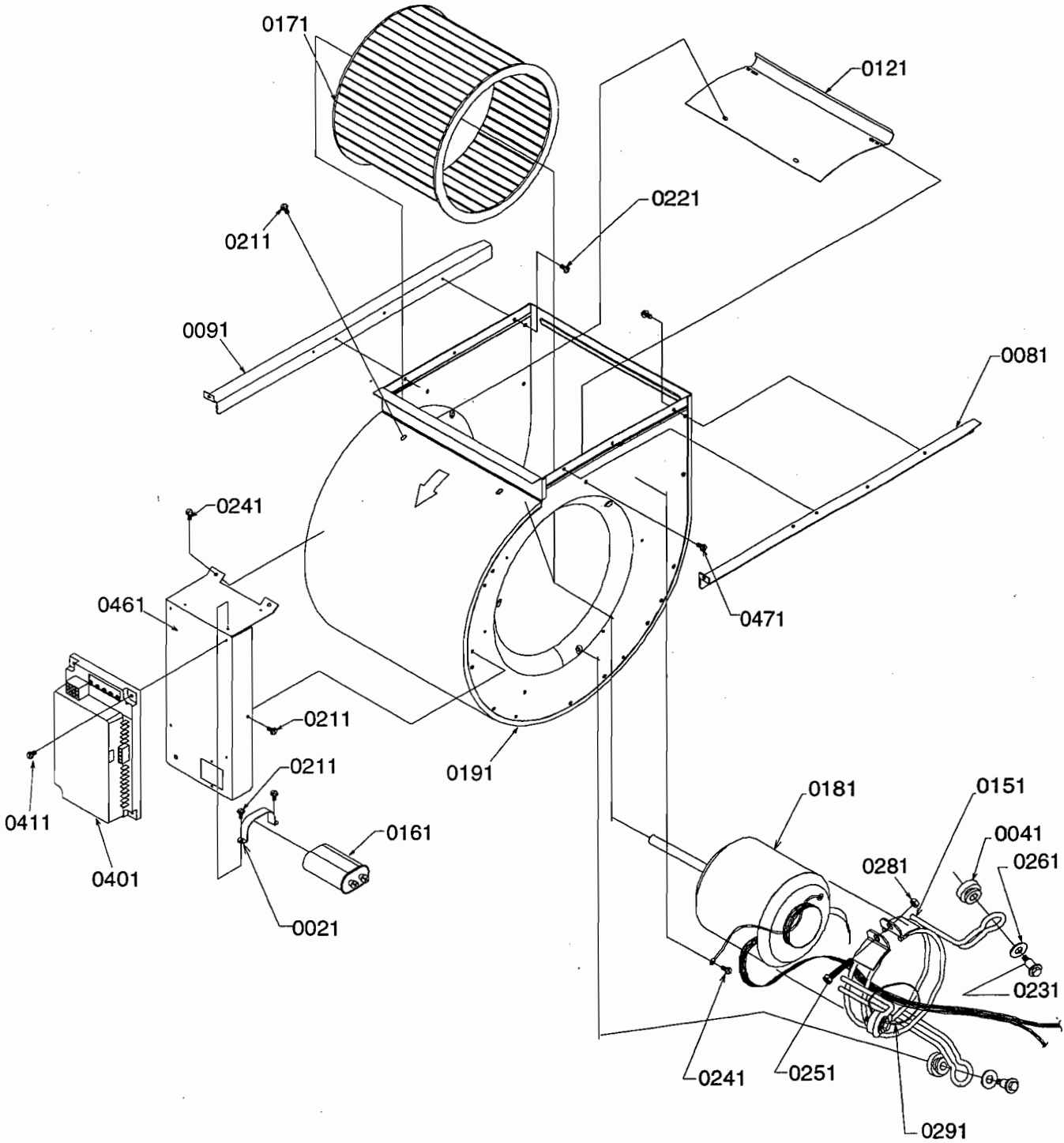
Vent Systems/Controls .

Ref. Part No: No:	Description:	Ref. Part No: No:	Description:
<i>Image 1</i>			
0111 10779126	TOP COVER-PNT (M1, M2, M3)		
0111 10779128	TOP COVER-PNT (M4, M5)		
0111 10779130	TOP COVER-PNT (M6, M7, M8)		
0121 11034702	VENT TUBE BRKT-PNT (M1, M2, M3, M4, M5, M6, M7)		
0121 11034704	VENT TUBE BRKT-PNT (M8)		
0131 11022002	TUBE-VENT		
0201 10764404	PLATE-PARTITION (M1, M2, M3)		
0201 10764405	PLATE-PARTITION (M4, M5)		
0201 10764406	PLATE-PARTITION (M6, M7, M8)		
0211 B1410304	HOSE-PRESSURE SW		
0231 10764601	GASKET-ROTATE PLT		
0241 11142201	GASKET-COLL/ID (M1, M2, M3)		
0241 11142202	GASKET-COLL/ID (M4, M5)		
0241 11142203	GASKET-COLL/ID (M6, M7, M8)		
0251 10764302	PLATE-ROTATING (M2, M3)		
0251 10764306	PLATE-ROTATING CO (M1)		
0271 11009002	BLOWER-ID		
0281 11009401	TRANSITION-ID BLWR		
0291 10727903	SWITCH-PRESSURE (M2, M3)		
0291 10727906	SWITCH-PRESSURE (M4, M5)		
0291 10727908	SWITCH-PRESSURE (M8)		
0291 10727909	SWITCH-PRESSURE (M6, M7)		
0291 10727917	SWITCH-PRESSURE (M1)		
0311 10736102	BOX-HIGH VOLTAGE		
0331 11009703	TOP-TRAN PLATE		
0351 10861101	BRKT-AUX LIMIT		
0361 10123506	LIMIT-RESET MAN		
0381 B9268909	PIPE-FLUE		
0411 M0253516	SCREW-TR (QTY 4)		
0421 A4554801	BUSHING-SNAP		
0501 M0233716	SCREW-SD		
0511 M0219918	SCREW-SM (QTY AR)		
0521 M0216536	SCREW-SM (QTY 2)		
0541 M0216716	SCREW-SM (QTY AR)		
0551 M0219916	SCREW-SM (QTY AR)		
0621 11083601	GASKET-MOTOR		
0741 M0571002	BUSHING-SNAP (QTY 2)		
0771 M0270001	WASHER-CUP		
0781 M0227803	SCREW-TC		
0821 C6349701	TRANSFORMER		
0861 11094902	CORNER BRKT PNT (QTY 2)		

Expanded Model and Color Nomenclature

M1 - GCIA045CX30	P1207301F
M2 - GCIA070CX30	P1207302F
M3 - GCIA070CX40	P1207303F
M4 - GCIA090CX30	P1207304F
M5 - GCIA090CX50	P1207305F
M6 - GCIA115CX40	P1207306F
M7 - GCIA115CX50	P1207307F
M8 - GCIA140CX50	P1207308F

Blower



Blower

Ref. Part No: No:	Description:
<i>Image 1</i>	
0000 11135202	HARNESS-WIRING
0021 A3410501	STRAP-CAPACITOR (M4, M5, M7, M8)
0021 A4055402	STRAP-CAPACITOR (M1, M2, M3, M6)
0041 A4002702	GROMMET (QTY 3)
0081 10744901	RAIL-SIDE BLOWER
0091 10744902	RAIL-SIDE BLOWER
0121 C6121802	CUTOFF (M3)
0121 C6121803	CUTOFF (M6)
0121 C6121806	CUTOFF (M7, M8)
0121 C6121810	CUTOFF (M1, M2, M4, M5)
0151 C9443701	BRKT-MOTOR MT (M7, M8)
0151 C9443702	BRKT-MOTOR MT (M3, M4, M5, M6)
0151 C9446702	BRKT-MOTOR MT (M1, M2)
0161 10099902	CAPACITOR (M2)
0161 D6859325	CAPACITOR (M1, M3, M6)
0161 D6879739	CAPACITOR (M4)
0161 D6879740	CAPACITOR (M5, M7, M8)
0171 D6723301	WHEEL-BLOWER (M1, M2)
0171 D6723302	WHEEL-BLOWER (M4, M5)
0171 D6723303	WHEEL-BLOWER (M7, M8)
0171 D6723310	WHEEL-BLOWER (M6)
0171 D6723316	WHEEL-BLOWER (M3)
0181 10759205	MOTOR-BLOW 1/2 HP (M3)
0181 10759301	MOTOR-BLOW 1/2 HP (M4)
0181 10759304	MOTOR-BLOW 1/2 HP (M6)
0181 10759203	MOTOR-BLOW 1/3 HP (M1)
0181 10759204	MOTOR-BLOW 1/3 HP (M2)
0181 10759404	MOTOR-BLOW 3/4 HP (M5)
0181 10759405	MOTOR-BLOW 3/4 HP (M7, M8)
0191 10745602	BLOWER HSG WELD-PNT (M1, M2)
0191 10745604	BLOWER HSG WELD-PNT (M3)
0191 10745606	BLOWER HSG WELD-PNT (M6)
0191 10745608	BLOWER HSG WELD-PNT (M4, M5)
0191 10745610	BLOWER HSG WELD-PNT (M7, M8)
0211 M0211016	SCREW-SM (QTY 5)
0221 M0253516	SCREW-TR (QTY 6)
0231 M0221461	SCREW-TC (QTY 3)
0241 M0233716	SCREW-SD (QTY 3)
0251 M0267144	SCREW-MACH
0261 M0274008	WASHER-FLAT (QTY 3)
0281 M0282015	NUT-KEPS
0291 M0321202	TIE-ELEC
0401 10207704	CONTROL-INTEG
0411 M0216531	SCREW-SM (QTY 2)
0461 10746201	BRKT-CONTROL
0471 M0211020	SCREW-SM (QTY 2)

Ref. Part No: No:	Description:
Expanded Model and Color Nomenclature	

M1 - GCIA045CX30	P1207301F
M2 - GCIA070CX30	P1207302F
M3 - GCIA070CX40	P1207303F
M4 - GCIA090CX30	P1207304F
M5 - GCIA090CX50	P1207305F
M6 - GCIA115CX40	P1207306F
M7 - GCIA115CX50	P1207307F
M8 - GCIA140CX50	P1207308F

5

)

)