

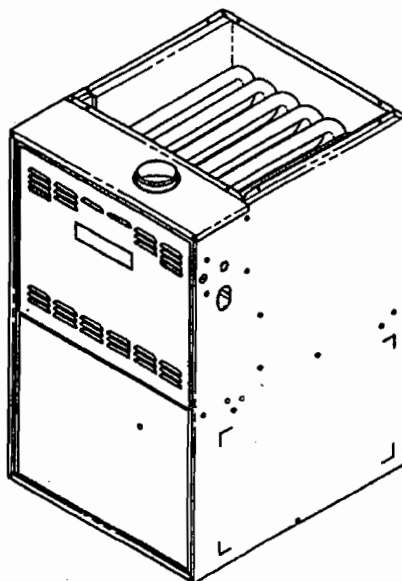
Parts

GUIA Gas Furnace

This manual replaces RP6620011 Rev. 0.

Models and manufacturing
numbers in this manual

GUIA045CA30	P1207201F
GUIA070CA30	P1207202F
GUIA070CA40	P1207203F
GUIA090CA30	P1207204F
GUIA090CA50	P1207205F
GUIA115CA40	P1207206F
GUIA115CA50	P1207207F
GUIA140CA50	P1207208F



This manual is to be used by qualified appliance technicians only. Amana does not assume any responsibility for property damage or personal injury for improper service procedures done by an unqualified person.

Amana

RP6620011
Revision 1
March 1999

Important Information

Amana is not responsible for personal injury or property damage resulting from improper service. Review all service information before beginning repairs.

Warranty service must be performed by an authorized technician, using authorized factory parts. If service is required after the warranty expires, Amana also recommends contacting an authorized technician and using authorized factory parts. Locate an authorized technician by calling 800-NATLSVC (800-628-5782).

For assistance within the U.S.A. contact:
Consumer Affairs Department
Amana
2800 220th Trail
Amana IA 52204-0001
319-622-5511--Telephone
319-622-2977--Facsimile

For assistance outside the U.S.A. contact:
International Division
Amana
2800 220th Trail
Amana IA 52204-0001
USA
319-622-5511--Telephone
319-622-8595--Facsimile

Index

Functional Parts List	4 - 5
Illustration and Parts	6 - 13

Views shown are for parts illustrations only, not servicing procedures.

M1,M2 C9446702 was C9443702

Text Codes:

AR - As Required

0000 - Not Shown

QTY - Quantity Example (QTY 3) (If Quantity not shown, Quantity = 1)

M - Model Example (M1) (If M Code not shown, then part is used on all Models)

NA - Not Available

Expanded Model and Color Nomenclature:

Example	
M1 - Model#1	P _____
M2 - Model#2	P _____
M3 - Model#3	P _____

Functional Parts

Part No:	Description:
11009002	BLOWER-INDUCED DRAFT
D6879746	CAPACITOR (M5, M7)
10099901	CAPACITOR (M2)
D6879739	CAPACITOR (M4)
D6859325	CAPACITOR (M1, M3, M6)
D6879740	CAPACITOR (M8)
10207704	CONTROL-INTEGRATED
10735201	FLAME-SENSOR
11135201	HARNESS-WIRING
10735002	IGNITOR
10728324	LIMIT (M6)
10728326	LIMIT (M1)
10728332	LIMIT (M4, M5, M8)
10728334	LIMIT (M7)
10728330	LIMIT (M2)
10728331	LIMIT (M3)
10123513	LIMIT-RESET MANUAL (M6, M7)
10123508	LIMIT-RESET MANUAL (M1)
10123510	LIMIT-RESET MANUAL (M2, M3, M4, M5)
10123506	LIMIT-RESET MANUAL
10123509	LIMIT-RESET MANUAL (M8)
10759202	MOTOR-BLOWER 1/2 HP (M3)
10759301	MOTOR-BLOWER 1/2 HP (M4)
10759401	MOTOR-BLOWER 1/2 HP (M5)
10759302	MOTOR-BLOWER 1/2 HP (M6)
10759201	MOTOR-BLOWER 1/3 HP (M2)
10759203	MOTOR-BLOWER 1/3 HP (M1)
10759402	MOTOR-BLOWER 3/4 HP (M7)
10759403	MOTOR-BLOWER 3/4 HP (M8)
10716003	ORIFICE (QTY AR)
10690401	SWITCH-INTERLOCK
10727906	SWITCH-PRESSURE (M8)
10727905	SWITCH-PRESSURE (M6, M7)
10727904	SWITCH-PRESSURE (M4, M5)
10727903	SWITCH-PRESSURE (M2, M3)
10727914	SWITCH-PRESSURE (M1)
C6349701	TRANSFORMER
C6476904	VALVE-GAS

Functional Parts

Part

No: Description:

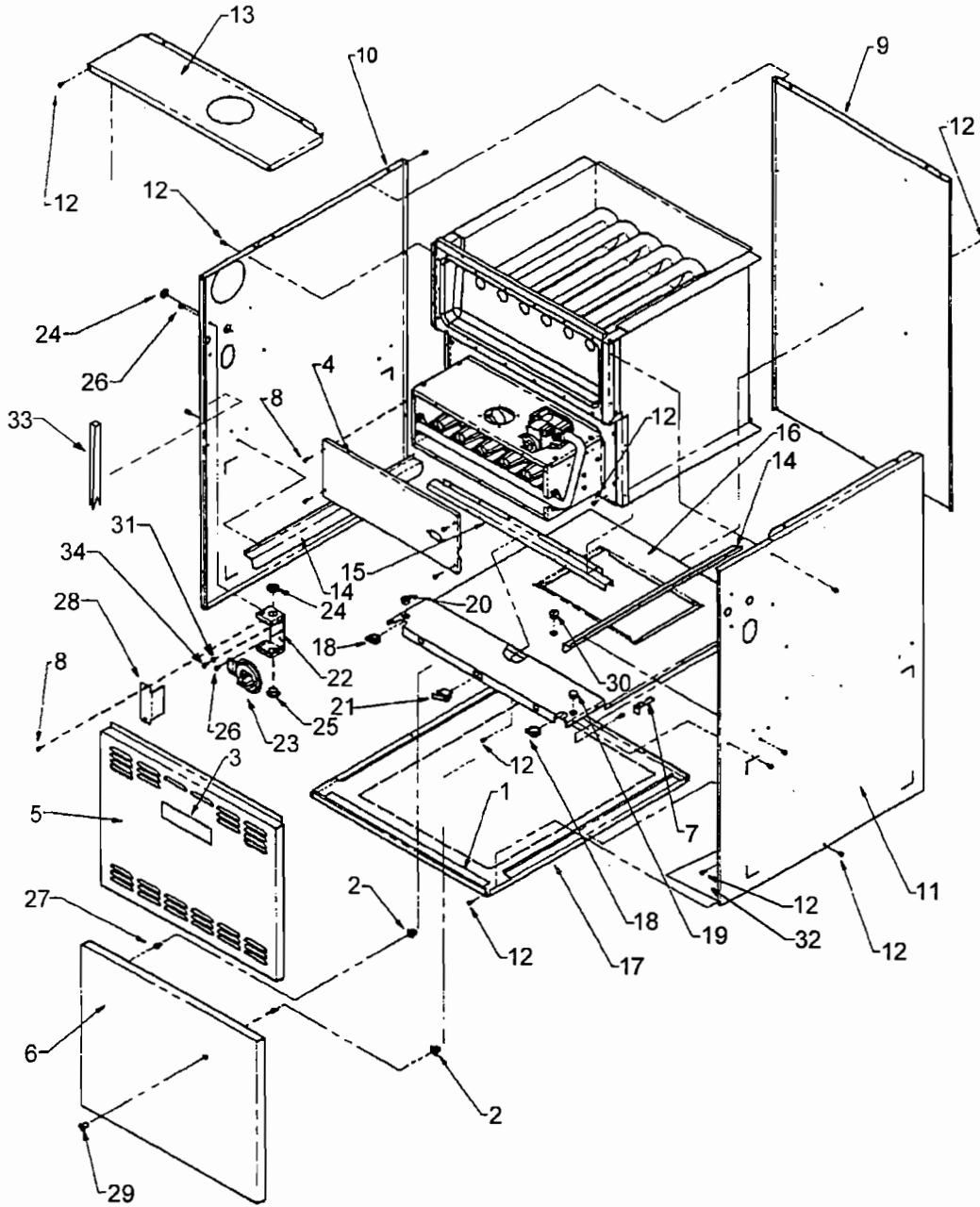
SPECIAL PARTS

10772901 INSTRUCTIONS-INSTALLATION
10759813 INSTRUCTIONS-INSTALLATION
10759610 MANUAL-USERS
10759701 MANUAL-VENTING
RP6620011 PARTS MANUAL

Expanded Model and Color Nomenclature

M1 - GUIA045CA30	P1207201F
M2 - GUIA070CA30	P1207202F
M3 - GUIA070CA40	P1207203F
M4 - GUIA090CA30	P1207204F
M5 - GUIA090CA50	P1207205F
M6 - GUIA115CA40	P1207206F
M7 - GUIA115CA50	P1207207F
M8 - GUIA140CA50	P1207208F

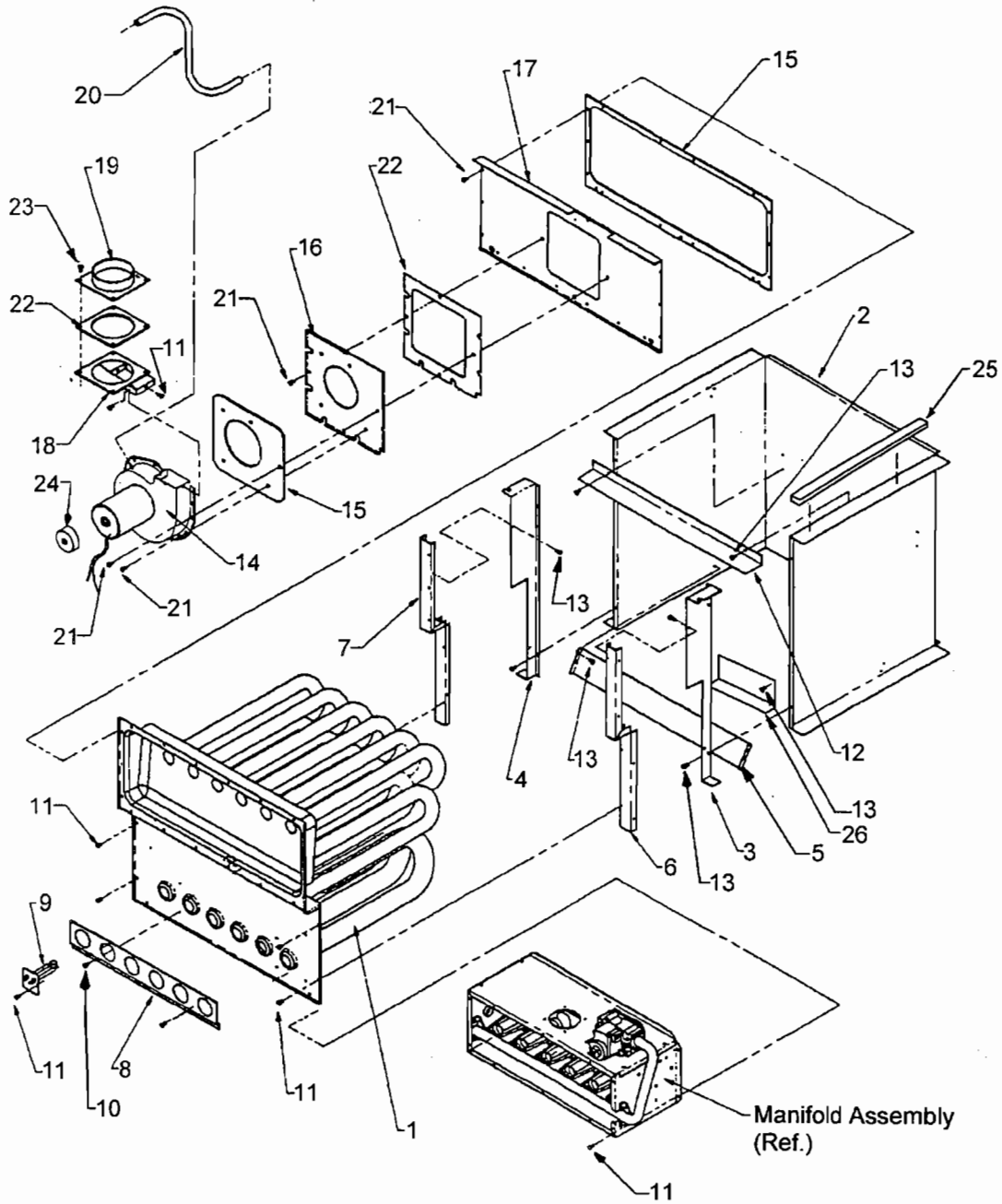
Cabinet Assembly



Cabinet Assembly

Ref. Part No:	Ref. Part No:	Description:	Ref. Part No:	Description:
<i>Image 1</i>				
0	11135201	HARNESS-WIRING	26	M0216716 SCREW-SM (QTY 4)
0	M0321202	TIE-ELECTRICAL (QTY 2)	27	10690101 STRIKE-DOOR (QTY 2)
1	A9020401	RETAINER-FILTER (M1, M2, M3)	28	10736201 COVER-HIGH VOLTAGE BOX
1	A9020402	RETAINER-FILTER (M4, M5)	29	11104001 SNAP-BUSHING CLR
1	A9020403	RETAINER-FILTER (M6, M7, M8)	30	10123506 LIMIT-RESET MANUAL
2	10690001	DOOR CATCH ASSEMBLY (QTY 2)	31	M0270001 WASHER-CUP
3	11034901	NAMEPLATE-AMANA	32	11094902 CORNER BRACKET PNT (QTY 2)
4	10734601	BOX-FRONT BURNER (M1)	33	11001301 GASKET-COMPT (QTY 2)
4	10734602	BOX-FRONT BURNER (M2, M3)	34	M0227803 SCREW-TC
4	10734603	BOX-FRONT BURNER (M4, M5)	Expanded Model and Color Nomenclature	
4	10734604	BOX-FRONT BURNER (M6, M7)	M1 - GUIA045CA30	P1207201F
4	10734605	BOX-FRONT BURNER (M8)	M2 - GUIA070CA30	P1207202F
5	10727802	ACCESS DOOR-PNT (M1, M2, M3)	M3 - GUIA070CA40	P1207203F
5	10727804	ACCESS DOOR-PNT (M4, M5)	M4 - GUIA090CA30	P1207204F
5	10727806	ACCESS DOOR-PNT (M6, M7, M8)	M5 - GUIA090CA50	P1207205F
6	10727714	BLOWER-DOOR-PNT (M1, M2, M3)	M6 - GUIA115CA40	P1207206F
6	10727716	BLOWER-DOOR-PNT (M4, M5)	M7 - GUIA115CA50	P1207207F
6	10727718	BLOWER-DOOR-PNT (M6, M7, M8)	M8 - GUIA140CA50	P1207208F
7	10861101	BRACKET-AUXILIARY LIMIT		
8	M0216529	SCREW-SM (QTY 6)		
9	10727414	BACK PANEL-PNT (M1, M2, M3)		
9	10727416	BACK PANEL-PNT (M4, M5)		
9	10727418	BACK PANEL-PNT (M6, M7, M8)		
10	10727114	L SIDE PANEL-PNT		
11	10727014	R SIDE PANEL-PNT		
12	M0219916	SCREW-SM (QTY 49)		
13	10779120	TOP COVER-PNT (M1, M2, M3)		
13	10779122	TOP COVER-PNT (M4, M5)		
13	10779124	TOP COVER-PNT (M6, M7, M8)		
14	10690301	ANGLE-FILTER (QTY 2)		
15	10728401	SUPPORT-PARTITION PANEL (M1, M2, M3)		
15	10728402	SUPPORT-PARTITION PANEL (M4, M5)		
15	10728403	SUPPORT-PARTITION PANEL (M6, M7, M8)		
16	11034801	DECK-BLOWER (M3)		
16	11034802	DECK-BLOWER (M4, M5)		
16	11034803	DECK-BLOWER (M6)		
16	11034804	DECK-BLOWER (M1, M2)		
16	11034805	DECK-BLOWER (M7, M8)		
17	10727508	BASEPAN-PNT (M1, M2, M3)		
17	10727510	BASEPAN-PNT (M4, M5)		
17	10727512	BASEPAN-PNT (M6, M7, M8)		
18	A4568804	GROMMET-D (QTY 2)		
19	M0310308	PLUG-WHITE BUTTON		
20	M0571001	BUSHING-SNAP		
21	10690401	SWITCH-INTERLOCK		
22	10736102	BOX-HIGH VOLTAGE		
23	10727903	SWITCH-PRESSURE (M2, M3)		
23	10727904	SWITCH-PRESSURE (M4, M5)		
23	10727905	SWITCH-PRESSURE (M6, M7)		
23	10727906	SWITCH-PRESSURE (M8)		
23	10727914	SWITCH-PRESSURE (M1)		
24	M0571002	BUSHING-SNAP (QTY 2)		
25	A4554801	BUSHING-SNAP		

Partition Tube Assembly & Collector Box



Partition Tube Assembly & Collector Box

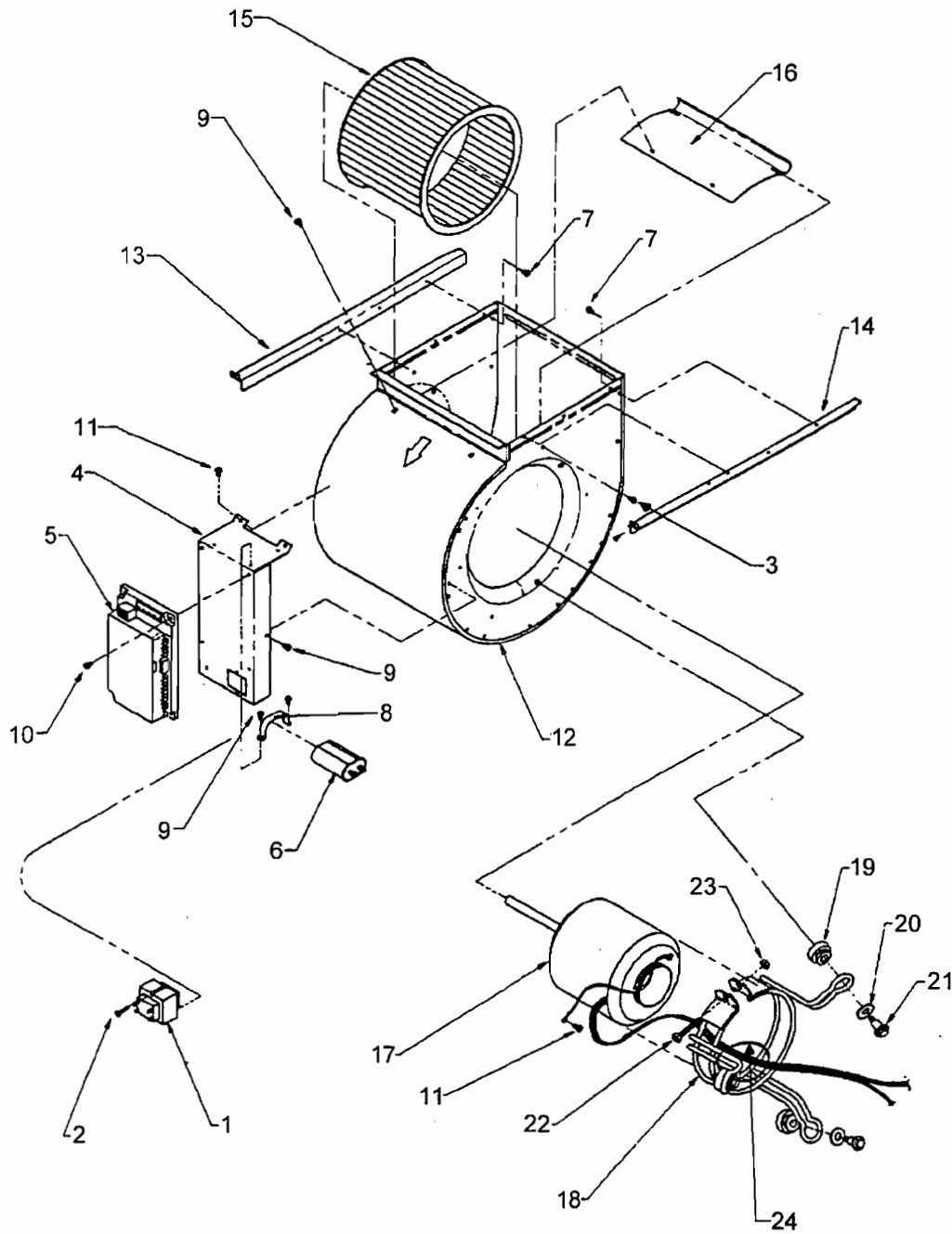
Ref. Part No:	Ref. Part No:	Description:
<i>Image 1</i>		
1	11094101	PARTITION/TUBE ASSEMBLY (M1)
1	11094102	PARTITION/TUBE ASSEMBLY (M2, M3)
1	11094103	PARTITION/TUBE ASSEMBLY (M4, M5)
1	11094104	PARTITION/TUBE ASSEMBLY (M6, M7)
1	11094105	PARTITION/TUBE ASSEMBLY (M8)
2	10728707	LINER-CABINET (M1)
2	10728708	LINER-CABINET (M2, M3)
2	10728709	LINER-CABINET (M4, M5)
2	10728710	LINER-CABINET (M6, M7)
2	10728711	LINER-CABINET (M8)
3	10728601	BRACKET-LINER MOUNTING
4	10728602	BRACKET-LINER MOUNTING
5	11008801	BAFFLE-DECK (M3)
5	11008802	BAFFLE-DECK (M4)
6	10728503	RAIL-PARTITION PANEL
7	10728504	RAIL-PARTITION PANEL
8	11072201	SHIELD-ORIFICE (M1)
8	11072202	SHIELD-ORIFICE (M2, M3)
8	11072203	SHIELD-ORIFICE (M4, M5)
8	11072204	SHIELD-ORIFICE (M6, M7)
8	11072205	SHIELD-ORIFICE (M8)
9	10728324	LIMIT (M6)
9	10728326	LIMIT (M1)
9	10728330	LIMIT (M2)
9	10728331	LIMIT (M3)
9	10728332	LIMIT (M4, M5, M8)
9	10728334	LIMIT (M7)
10	M0211020	SCREW-SM
11	M0219916	SCREW-SM (QTY 13)
12	11008302	BAFFLE-LINER (M2, M3)
12	11008303	BAFFLE-LINER (M4, M5)
12	11008304	BAFFLE-LINER (M6, M7)
12	11008305	BAFFLE-LINER (M8)
12	11008306	BAFFLE-LINER (M1)
13	M0224303	SCREW-SM (QTY 14)
14	11009002	BLOWER-INDUCED DRAFT
15	11142201	GASKET-COLLECT BOX (M1, M2, M3)
15	11142202	GASKET-COLLECT BOX (M4, M5)
15	11142203	GASKET-COLLECT BOX (M6, M7, M8)
16	10764304	PLATE-ROTATING (M6, M7)
16	10764307	PLATE-ROTATING (M2, M3)
16	10764309	PLATE-ROTATING (M8)
16	10764311	PLATE-ROTATING (M4, M5)
16	10764317	PLATE-ROTATING (M1)
17	10764404	PLATE-PARTITION (M1, M2, M3)
17	10764405	PLATE-PARTITION (M4, M5)
17	10764406	PLATE-PARTITION (M6, M7, M8)
18	11009401	TRANSITION-INDUCED DRAFT BLOWER
19	11009701	TOP-TRANSITION PLATE
20	B1410304	HOSE-PRESSURE SWITCH
21	M0219918	SCREW-SM (QTY 24)
22	10764601	GASKET-ROTATE PLATE
23	M0253516	SCREW-TR (QTY 4)

Ref. Part No:	Ref. Part No:	Description:
24	11083601	GASKET-MOTOR
25	11072401	GASKET-LINER (QTY 2)
26	11008306	BAFFLE-LINER

Expanded Model and Color Nomenclature

M1 - GUIA045CA30	P1207201F
M2 - GUIA070CA30	P1207202F
M3 - GUIA070CA40	P1207203F
M4 - GUIA090CA30	P1207204F
M5 - GUIA090CA50	P1207205F
M6 - GUIA115CA40	P1207206F
M7 - GUIA115CA50	P1207207F
M8 - GUIA140CA50	P1207208F

Blower Assembly & Integrated Control



Blower Assembly & Integrated Control

Ref. Part

No: No:

Description:

Ref. Part

No: No:

Description:

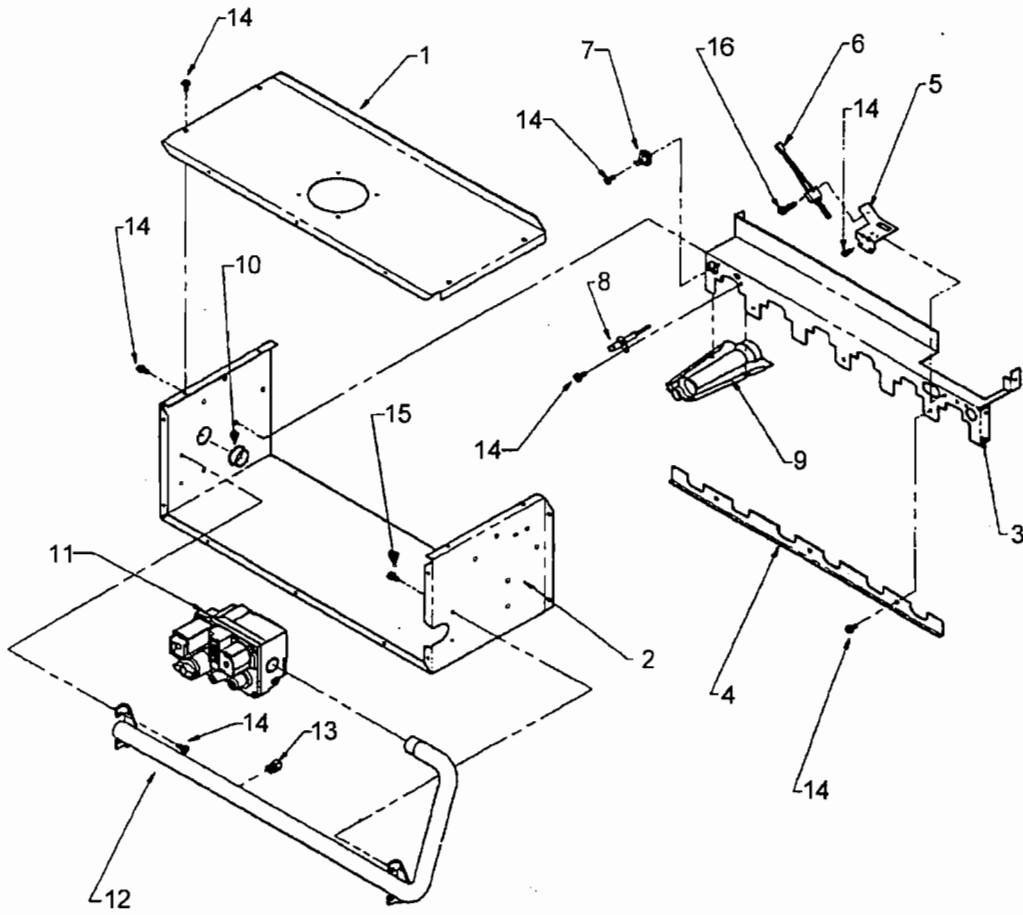
Image 1

1	C6349701	TRANSFORMER
2	M0216536	SCREW-SM (QTY 2)
3	M0211020	SCREW-SM (QTY 2)
4	10746201	BRACKET-CONTROL
5	10207704	CONTROL-INTEGRATED
6	10099901	CAPACITOR (M2)
6	D6859325	CAPACITOR (M1, M3, M6)
6	D6879739	CAPACITOR (M4)
6	D6879740	CAPACITOR (M8)
6	D6879746	CAPACITOR (M5, M7)
7	M0253516	SCREW-TR (QTY 6)
8	A3410501	STRAP-CAPACITOR (M4, M5, M7, M8)
8	A4055402	STRAP-CAPACITOR (M1, M2, M3, M6)
9	M0211016	SCREW-SM (QTY 5)
10	M0216531	SCREW-SM (QTY 2)
11	M0233716	SCREW-SD (QTY 3)
12	10745602	BLOWER HOUSING WELD-PNT (M1, M2)
12	10745604	BLOWER HOUSING WELD-PNT (M3)
12	10745606	BLOWER HOUSING WELD-PNT (M6)
12	10745608	BLOWER HOUSING WELD-PNT (M4, M5)
12	10745610	BLOWER HOUSING WELD-PNT (M7, M8)
13	10744902	RAIL-SIDE BLOWER
14	10744901	RAIL-SIDE BLOWER
15	D6723301	WHEEL-BLOWER (M1, M2)
15	D6723302	WHEEL-BLOWER (M4, M5)
15	D6723303	WHEEL-BLOWER (M7, M8)
15	D6723310	WHEEL-BLOWER (M6)
15	D6723316	WHEEL-BLOWER (M3)
16	C6121802	CUTOFF (M3)
16	C6121803	CUTOFF (M6)
16	C6121806	CUTOFF (M7, M8)
16	C6121810	CUTOFF (M1, M2, M4, M5)
17	10759202	MOTOR-BLOWER 1/2 HP (M3)
17	10759301	MOTOR-BLOWER 1/2 HP (M4)
17	10759302	MOTOR-BLOWER 1/2 HP (M6)
17	10759401	MOTOR-BLOWER 1/2 HP (M5)
17	10759201	MOTOR-BLOWER 1/3 HP (M2)
17	10759203	MOTOR-BLOWER 1/3 HP (M1)
17	10759402	MOTOR-BLOWER 3/4 HP (M7)
17	10759403	MOTOR-BLOWER 3/4 HP (M8)
18	C9443701	BRACKET-MOTOR MOUNT (M7, M8)
18	C9443702	BRACKET-MOTOR MOUNT (M3, M4, M5, M6)
18	C9446702	BRACKET-MOTOR MOUNT (M1, M2)
19	A4002702	GROMMET (QTY 3)
20	M0274008	WASHER-FLAT (QTY 3)
21	M0221461	SCREW-TC (QTY 3)
22	M0267144	SCREW-MACH
23	M0282015	NUT-KEPS
24	M0321202	TIE-ELECTRICAL

Expanded Model and Color Nomenclature

M1 - GUIA045CA30	P1207201F
M2 - GUIA070CA30	P1207202F
M3 - GUIA070CA40	P1207203F
M4 - GUIA090CA30	P1207204F
M5 - GUIA090CA50	P1207205F
M6 - GUIA115CA40	P1207206F
M7 - GUIA115CA50	P1207207F
M8 - GUIA140CA50	P1207208F

Manifold Assembly



Manifold Assembly

Ref. Part No: No:	Description:	Ref. Part No: No:	Description:
<i>Image 1</i>			
1	10734501		TOP-BOX BURNER (M1)
1	10734502		TOP-BOX BURNER (M2, M3)
1	10734503		TOP-BOX BURNER (M4, M5)
1	10734504		TOP-BOX BURNER (M6, M7)
1	10734505		TOP-BOX BURNER (M8)
2	10734410		BOX-BURNER (M1)
2	10734411		BOX-BURNER (M2, M3)
2	10734412		BOX-BURNER (M4, M5)
2	10734413		BOX-BURNER (M6, M7)
2	10734414		BOX-BURNER (M8)
3	11008101		BRACKET-BURNER (M1)
3	11008102		BRACKET-BURNER (M2, M3)
3	11008103		BRACKET-BURNER (M4, M5)
3	11008104		BRACKET-BURNER (M6, M7)
3	11008105		BRACKET-BURNER (M8)
4	10734701		BRACKET-LOCK BURNER (M1)
4	10734702		BRACKET-LOCK BURNER (M2, M3)
4	10734703		BRACKET-LOCK BURNER (M4, M5)
4	10734704		BRACKET-LOCK BURNER (M6, M7)
4	10734705		BRACKET-LOCK BURNER (M8)
5	11008703		BRACKET-SENSOR
6	10735002		IGNITOR
7	10123508		LIMIT-RESET MANUAL (M1)
7	10123509		LIMIT-RESET MANUAL (M8)
7	10123510		LIMIT-RESET MANUAL (M2, M3, M4, M5)
7	10123513		LIMIT-RESET MANUAL (M6, M7)
8	10735201		FLAME-SENSOR
9	10735102		BECKETT BURNER (QTY 2)
10	A4554801		BUSHING-SNAP
11	C6476904		VALVE-GAS
12	10568801		MANIFOLD (M1)
12	10568802		MANIFOLD (M2, M3)
12	10568803		MANIFOLD (M4, M5)
12	10568804		MANIFOLD (M6, M7)
12	10568805		MANIFOLD (M8)
13	10716003		ORIFICE (QTY AR)
14	M0216529		SCREW-SM (QTY 18)
15	M0253516		SCREW-TR (QTY 2)
16	M0216519		SCREW-SM

Expanded Model and Color Nomenclature

M1 - GUIA045CA30	P1207201F
M2 - GUIA070CA30	P1207202F
M3 - GUIA070CA40	P1207203F
M4 - GUIA090CA30	P1207204F
M5 - GUIA090CA50	P1207205F
M6 - GUIA115CA40	P1207206F
M7 - GUIA115CA50	P1207207F
M8 - GUIA140CA50	P1207208F

