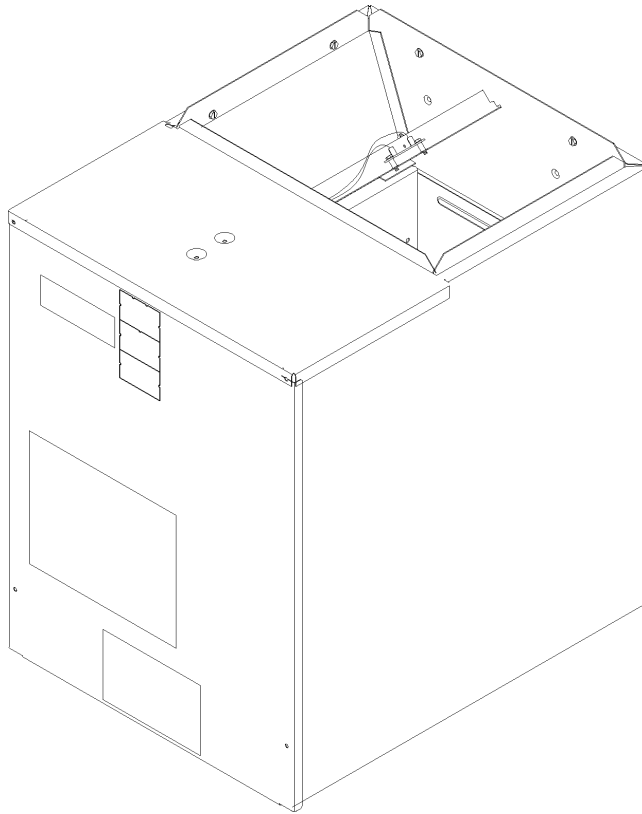


## BBA/BBC Blower Units

BBA24A2A	P1206401C
BBA24A2A	P1206415C
BBA36A2A	P1206402C
BBA36A2A	P1206416C
BBA48A2A	P1206403C
BBA48A2A	P1206417C
BBA60A2A	P1206404C
BBA60A2A	P1206418C
BBC36A2A	P1206405C
BBC36A2A	P1206419C
BBC48A2A	P1206407C
BBC48A2A	P1206421C
BBC60A2A	P1206406C
BBC60A2A	P1206420C



RP6220005 Rev. 3  
April 2007

Amana is a trademark of Maytag Corporation and used under license to Goodman Company, L.P. All rights reserved.

This manual is to be used by qualified technicians only.

[www.amana-hac.com](http://www.amana-hac.com)

This manual replaces RP6220005 Rev. 2  
Copyright © 1995-2007 Goodman Company, L.P.

# Important Information

---

## Index

Functional Parts List .....	3
Illustration and Parts .....	4 - 7

*Views shown are for parts illustrations only, not servicing procedures*

Rev. 3: Corrected motor part numbers to include end bells.

### Text Codes:

AR - As Required

NA - Not Available

NS - Not Shown

00000000 - See Note

QTY - Quantity Example (QTY 3) (If Quantity not shown, Quantity = 1)

M - Model Example (M1) (If M Code not shown, then part is used on all Models)

### Expanded Model Nomenclature:

Example M1 - Model#1 M2 - Model#2 M3 - Model#3
---

Goodman Company, L.P. is not responsible for personal injury or property damage resulting from improper service. Review all service information before beginning repairs.

Warranty service must be performed by an authorized technician, using authorized factory parts. If service is required after the warranty expires, Goodman Company, L.P. also recommends contacting an authorized technician and using authorized factory parts.

Goodman Company, L.P. reserves the right to discontinue, or change at any time, specifications or designs without notice or without incurring obligations.

For assistance within the U.S.A. contact:

Consumer Affairs Department  
Goodman Company, L.P.  
7401 Security Way  
Houston, Texas 77040  
877-254-4729-Telephone  
713-863-2382-Facsimile

For assistance outside the U.S.A. contact:

International Division  
Goodman Company, L.P.  
7401 Security Way  
Houston, Texas 77040  
713-861-2500-Telephone  
713-863-2382-Facsimile

# Functional Parts

**Part No:**            **Description:**

Expanded Model Nomenclature

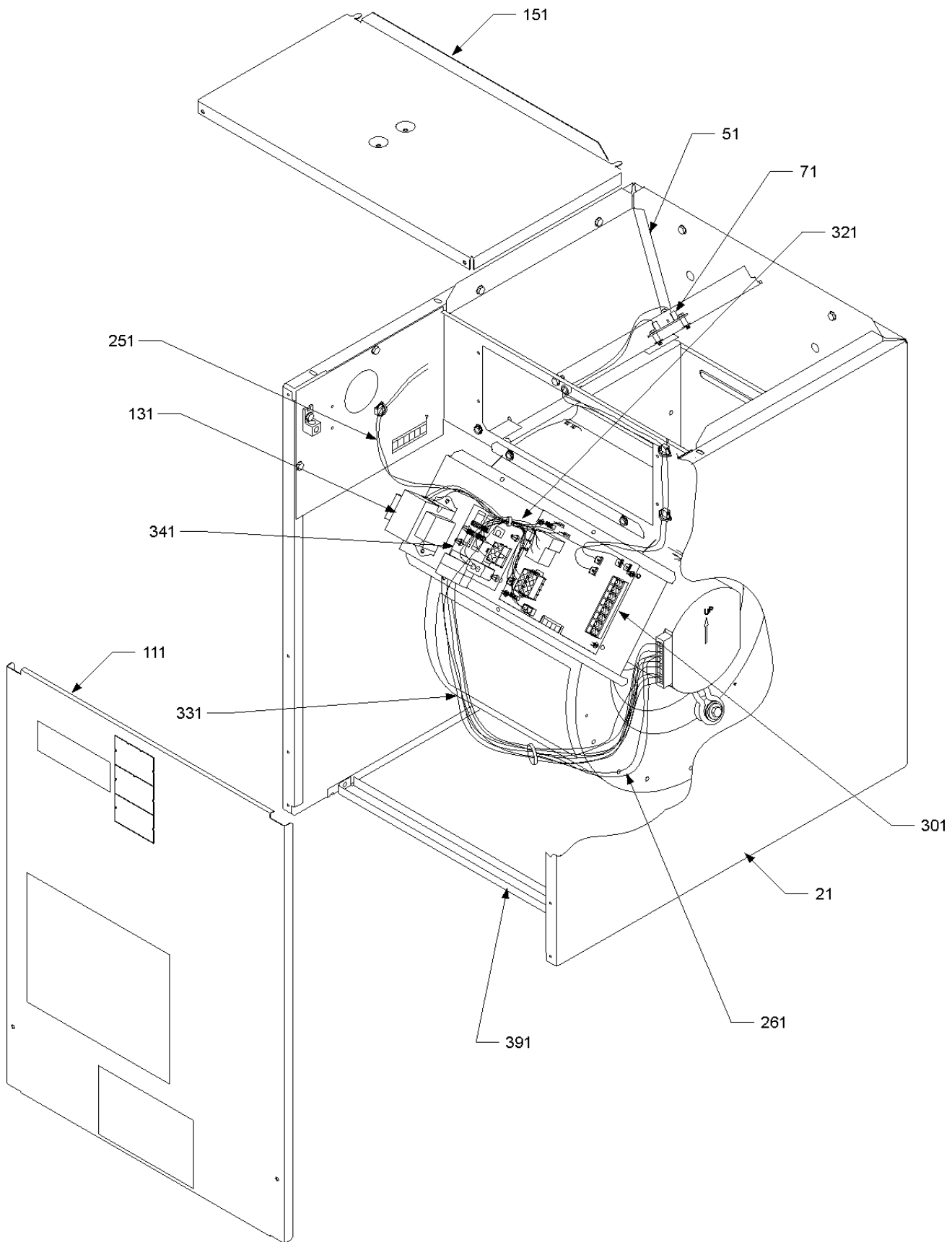
CAP100000370VA	CAPACITOR 10/370V (M1, M2, M3, M8, M9, M10)
CAP150000370VA	CAPACITOR 15/370V (M4, M11)
11074204	CONTROL BOARD (M5, M6, M7, M12, M13, M14)
11074205	INTERFACE BOARD (M1, M2, M3, M4, M8, M9, M10, M11)
11106901	INTERFACE BOARD (M5, M6, M7, M12, M13, M14)
11091204S	MOTOR 1/2 HP, 3 SP, 8 PL (M4, M11)
11091202S	MOTOR 1/3 HP, 3 SP, 6 PL (M2, M9)
11091203S	MOTOR 1/3 HP, 3 SP, 6 PL (M3, M10)
11091207S	MOTOR 1/4 HP, 3 SP, 8 PL (M1, M8)
0231K00010A	MOTOR 3/4 HP PROGRAMMED (M6, M13)
0231K00011A	MOTOR 3/4 HP PROGRAMMED (M7, M14)
20257701	MOTOR BLOWER-EC 1/2# OBS 81130 (M5, M12)
11084501	THERMISTOR
11084902	TRANSFORMER
11118703	WIRING HARNESS (M5, M6, M7)
11118704	WIRING HARNESS (M12, M13, M14)
11106809	WIRING HARNESS, 6-PIN (M12, M13, M14)
11106808	WIRING HARNESS, 6-PIN (M5, M6, M7)
11091403	WIRING HARNESS, FIELD CONNECT (M8, M9, M10, M11, M12, M13, M14)
11091402	WIRING HARNESS, FIELD CONNECT (M1, M2, M3, M4, M5, M6, M7)
11063405	WIRING HARNESS, HIGH VOLTAGE (M5, M6, M7)
11063406	WIRING HARNESS, HIGH VOLTAGE (M12, M13, M14)

M1 - BBA24A2A	P1206401C
M2 - BBA36A2A	P1206402C
M3 - BBA48A2A	P1206403C
M4 - BBA60A2A	P1206404C
M5 - BBC36A2A	P1206405C
M6 - BBC60A2A	P1206406C
M7 - BBC60A2A	P1206407C
M8 - BBA24A2A	P1206415C
M9 - BBA36A2A	P1206416C
M10 - BBA48A2A	P1206417C
M11 - BBA60A2A	P1206418C
M12 - BBC36A2A	P1206419C
M13 - BBC60A2A	P1206420C
M14 - BBC48A2A	P1206421C

**SPECIAL PARTS**

11092508	INSTALLATION INSTRUCTIONS
20275301	NAMEPLATE
RP6220005	REPAIR PARTS MANUAL
IO-616	SUPPLEMENT

# Cabinet Assembly



# Cabinet Assembly

Ref Part No:	Description:	Ref. Part No:	Description:
<i>Image 1:</i>		Expanded Model Nomenclature	
21	11068622 CABINET (M1, M2, M5, M8, M9, M12)	M1 - BBA24A2A	P1206401C
21	11068624 CABINET (M3, M7, M10, M14)	M2 - BBA36A2A	P1206402C
21	11068626 CABINET (M4, M6, M11, M13)	M3 - BBA48A2A	P1206403C
51	11075901 BLOWER SUPPORT (M1, M2, M3, M5, M7, M8, M9, M10, M12, M14)	M4 - BBA60A2A	P1206404C
51	11075902 BLOWER SUPPORT (M4, M6, M11, M13)	M5 - BBC36A2A	P1206405C
71	11084501 THERMISTOR	M6 - BBC60A2A	P1206406C
111	11075102 CABINET DOOR (M1, M2, M5, M8, M9, M12)	M7 - BBC60A2A	P1206407C
111	11075104 CABINET DOOR (M3, M7, M10, M14)	M8 - BBA24A2A	P1206415C
111	11075106 CABINET DOOR (M4, M6, M11, M13)	M9 - BBA36A2A	P1206416C
131	11084902 TRANSFORMER	M10 - BBA48A2A	P1206417C
151	11091806 TOP COVER ASSY (M4, M6, M11, M13)	M11 - BBA60A2A	P1206418C
151	11091804 TOP COVER ASSY (M1, M2, M5, M8, M9, M12)	M12 - BBC36A2A	P1206419C
151	11091805 TOP COVER ASSY (M3, M7, M10, M14)	M13 - BBC60A2A	P1206420C
251	11091402 WIRING HARNESS, FIELD CONNECT (M1, M2, M3, M4, M5, M6, M7)	M14 - BBC48A2A	P1206421C
251	11091403 WIRING HARNESS, FIELD CONNECT (M8, M9, M10, M11, M12, M13, M14)		
261	11063405 WIRING HARNESS, HIGH VOLTAGE (M5, M6, M7)		
261	11063406 WIRING HARNESS, HIGH VOLTAGE (M12, M13, M14)		
301	11074204 CONTROL BOARD (M5, M6, M7, M12, M13, M14)		
321	11106808 WIRING HARNESS, 6-PIN (M5, M6, M7)		
321	11106809 WIRING HARNESS, 6-PIN (M12, M13, M14)		
331	11118703 WIRING HARNESS (M5, M6, M7)		
331	11118704 WIRING HARNESS (M12, M13, M14)		
341	11074205 INTERFACE BOARD (M1, M2, M3, M4, M8, M9, M10, M11)		
341	11106901 INTERFACE BOARD (M5, M6, M7, M12, M13, M14)		
391	20233801 STRENGTH RAIL (M1, M2, M5, M8, M9, M12)		
391	20233802 STRENGTH RAIL (M3, M7, M10, M14)		
391	20233803 STRENGTH RAIL (M4, M6, M11, M13)		
NS	20275301 NAMEPLATE		

# Blower Assembly

Image 1

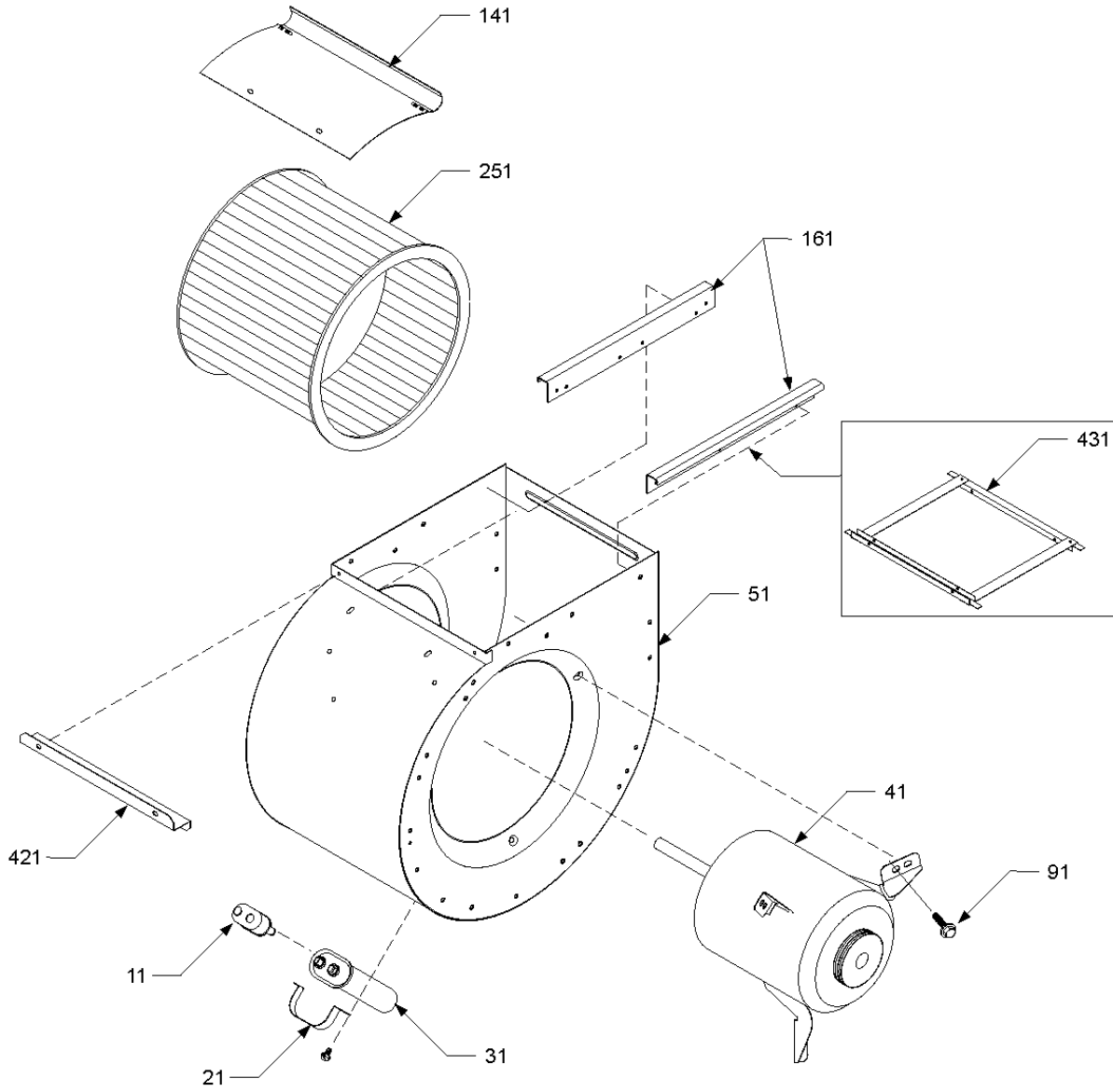
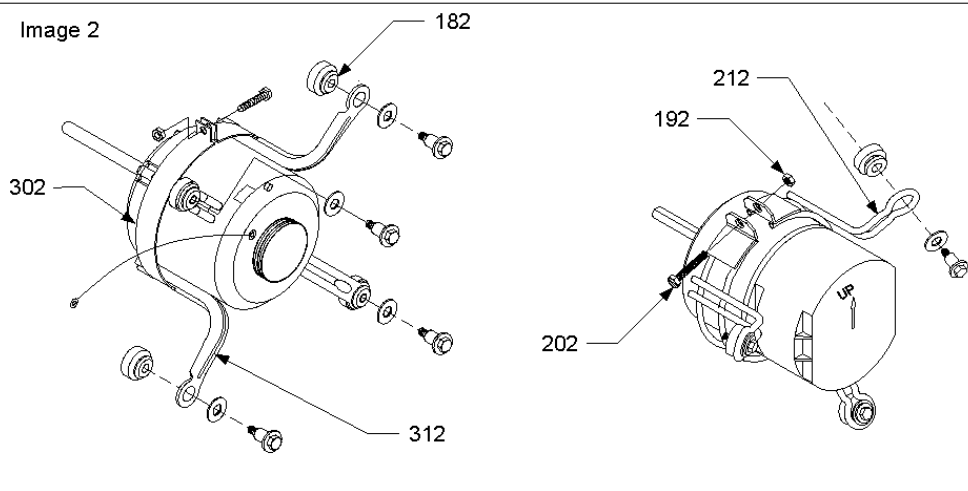


Image 2



# Blower Assembly

Ref Part No:	Description:	Ref. Part No:	Description:
--------------	--------------	---------------	--------------

*Image 1:*

11	A3375801	CAPACITOR BOOT (M1, M2, M3, M4, M8, M9, M10, M11)
21	A4055402	CAPACITOR STRAP (M1, M2, M3, M4, M8, M9, M10, M11)
31	CAP100000370VA	CAPACITOR 10/370V (M1, M2, M3, M8, M9, M10)
31	CAP150000370VA	CAPACITOR 15/370V (M4, M11)
41	11091204S	MOTOR 1/2 HP, 3 SP, 8 PL (M4, M11)
41	11091202S	MOTOR 1/3 HP, 3 SP, 6 PL (M2, M9)
41	11091203S	MOTOR 1/3 HP, 3 SP, 6 PL (M3, M10)
41	11091207S	MOTOR 1/4 HP, 3 SP, 8 PL (M1, M8)
41	0231K00010A	MOTOR 3/4 HP PROGRAMMED (M6, M13)
41	0231K00011A	MOTOR 3/4 HP PROGRAMMED (M7, M14)
41	20257701	MOTOR BLOWER-EC 1/2# OBS 81130 (M5, M12)
51	10324210	ASSY, BLOWER HOUSING (M1)
51	10324212	ASSY, BLOWER HOUSING (M2, M5)
51	10324218	ASSY, BLOWER HOUSING (M4, M6)
51	10324230	ASSY, BLOWER HOUSING (M3, M7)
51	10324235	ASSY, BLOWER HOUSING (M8)
51	10324236	ASSY, BLOWER HOUSING (M9, M12)
51	10324237	ASSY, BLOWER HOUSING (M11, M13)
51	10324238	ASSY, BLOWER HOUSING (M10, M14)
91	M0221461	TC SCREW (M4, M5, M6, M7, M11, M12, M13, M14)
91	M0250558	TC SCREW (M1, M2, M3, M8, M9, M10)
141	C6121803	CUT-OFF (M1, M2, M5, M8, M9, M12)
141	C6121807	CUT-OFF (M3, M4, M6, M7, M10, M11, M13, M14)
161	11080701	BLOWER RAIL (M1, M8)
161	11080703	BLOWER RAIL (M4, M6, M11, M13)
251	D6723306	BLOWER WHEEL (M3, M7, M10, M14)
251	D6723310	BLOWER WHEEL (M2, M9)
251	D6723311S	BLOWER WHEEL (M4, M6, M11, M13)
251	D6723317	BLOWER WHEEL (M1, M8)
251	D6723318	BLOWER WHEEL (M5, M12)
421	20152002	BLOWER BRACKET (M3, M7, M10, M14)
421	11078002	MOUNTING BRACKET (M1, M8)
431	20152001	BLOWER BRACKET (M2, M5, M9, M12)

Expanded Model Nomenclature

M1 - BBA24A2A	P1206401C
M2 - BBA36A2A	P1206402C
M3 - BBA48A2A	P1206403C
M4 - BBA60A2A	P1206404C
M5 - BBC36A2A	P1206405C
M6 - BBC60A2A	P1206406C
M7 - BBC60A2A	P1206407C
M8 - BBA24A2A	P1206415C
M9 - BBA36A2A	P1206416C
M10 - BBA48A2A	P1206417C
M11 - BBA60A2A	P1206418C
M12 - BBC36A2A	P1206419C
M13 - BBC60A2A	P1206420C
M14 - BBC48A2A	P1206421C

*Image 2:*

182	A4002701	GROMMET (M4, M6, M11, M13)
182	A4002702	GROMMET (M5, M7, M12, M14)
192	M0282015	KEP NUTS (M4, M5, M6, M7, M11, M12, M13, M14)
192	M0282015	KEPS NUT (M4, M5, M6, M7, M11, M12, M13, M14)
202	M0267144	MACHINE SCREW (M4, M5, M6, M7, M11, M12, M13, M14)
212	C9443702	BRACKET, MOTOR MOUNT (M5, M7, M12, M14)
302	10441601	MOTOR MOUNT BAND (M4, M6, M11, M13)
312	10441501	MOTOR MOUNT ARM (M4, M6, M11, M13)