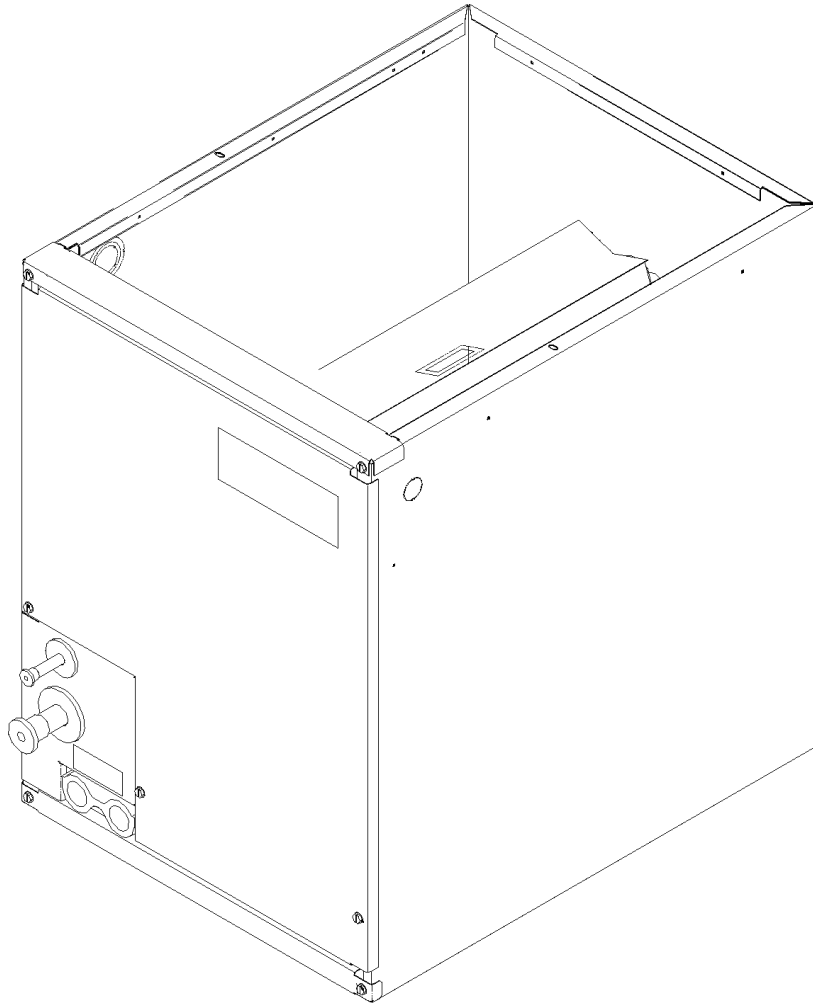


## CCA\*FDC/FKC/FSC and CHA\*TSC Evaporator Coils

CCA18FSC	P1204001C
CCA24FSC	P1204002C
CCA30FDC	P1203910C
CCA30FSC	P1204003C
CCA36FDC	P1203911C
CCA36FKC	P1203917C
CCA36FSC	P1204004C
CCA42FDC	P1203912C
CCA42FSC	P1204005C
CCA48FDC	P1203913C
CCA48FSC	P1204006C
CCA54FSC	P1204007C
CCA57FSC	P1204008C
CCA60FSC	P1204009C
CHA18TSC	P1204101C
CHA24TSC	P1204102C
CHA30TSC	P1204103C
CHA36TSC	P1204104C
CHA42TSC	P1204105C
CHA48TSC	P1204106C
CHA54TSC	P1204107C
CHA57TSC	P1204108C
CHA60TSC	P1204109C



Amana is a trademark of Maytag Corporation and used under license to Goodman Company, L.P. All rights reserved.

This manual is to be used by qualified technicians only.

Manual partially replaces RP6230007 Rev. 0.

© 2008 Goodman Company, L.P. ♦ 5151 San Felipe, Suite 500 ♦ Houston, TX 77056

# Important Information

---

## Index

Functional Parts List .....	3
Illustration and Parts .....	4 - 5

*Views shown are for parts illustrations only, not servicing procedures.*

Rev. 1: Updated evap assy part numbers.

### Text Codes:

AR - As Required

NA - Not Available

NS - Not Shown

00000000 - See Note

QTY - Quantity Example (QTY 3) (If Quantity not shown, Quantity = 1)

M - Model Example (M1) (If M Code not shown, then part is used on all Models)

### Expanded Model Nomenclature:

Example M1 - Model#1 M2 - Model#2 M3 - Model#3
---

Goodman Company, L.P. is not responsible for personal injury or property damage resulting from improper service. Review all service information before beginning repairs.

Warranty service must be performed by an authorized technician, using authorized factory parts. If service is required after the warranty expires, Goodman Company, L.P. also recommends contacting an authorized technician and using authorized factory parts.

Goodman Company, L.P. reserves the right to discontinue, or change at any time, specifications or designs without notice or without incurring obligations.

For assistance within the U.S.A. contact:

Consumer Affairs Department  
Goodman Company, L.P.  
7401 Security Way  
Houston, Texas 77040  
877-254-4729-Telephone  
713-863-2382-Facsimile

For assistance outside the U.S.A. contact:

International Division  
Goodman Company, L.P.  
7401 Security Way  
Houston, Texas 77040  
713-861-2500-Telephone  
713-863-2382-Facsimile

# Functional Parts

## Part

**No:**            **Description:**

---

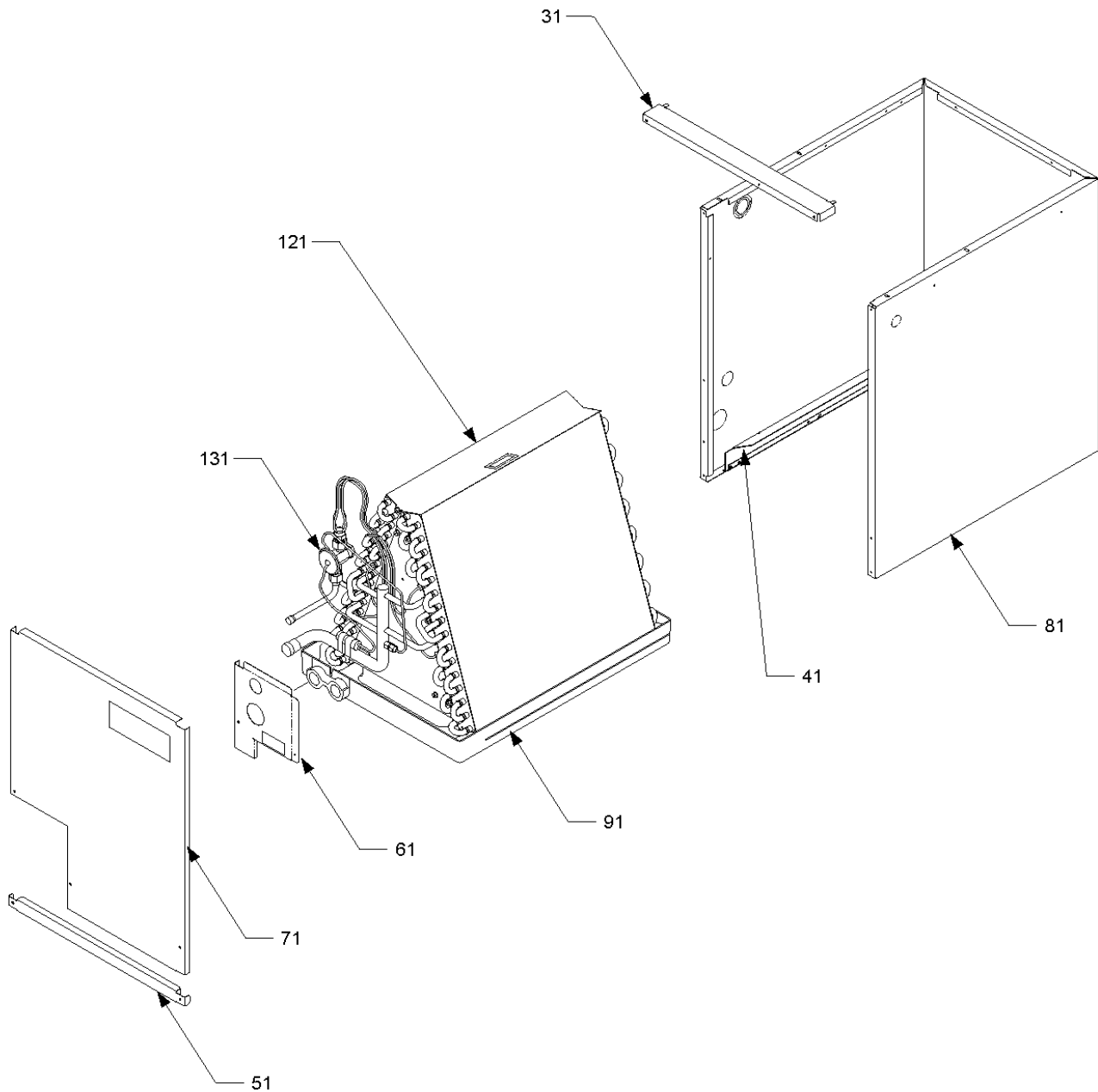
### SPECIAL PARTS

10618422            INSTALLATION INSTRUCTIONS  
  
11037302            INSTRUCTIONS-TXV KIT (M1, M2, M3, M4,  
M5, M6, M7, M8, M9, M10, M11, M12, M13,  
M14)

### Expanded Model Nomenclature

M1 - CCA30FDC	P1203910C
M2 - CCA36FDC	P1203911C
M3 - CCA42FDC	P1203912C
M4 - CCA48FDC	P1203913C
M5 - CCA36FKC	P1203917C
M6 - CCA18FSC	P1204001C
M7 - CCA24FSC	P1204002C
M8 - CCA30FSC	P1204003C
M9 - CCA36FSC	P1204004C
M10 - CCA42FSC	P1204005C
M11 - CCA48FSC	P1204006C
M12 - CCA54FSC	P1204007C
M13 - CCA57FSC	P1204008C
M14 - CCA60FSC	P1204009C
M15 - CHA18TSC	P1204101C
M16 - CHA24TSC	P1204102C
M17 - CHA30TSC	P1204103C
M18 - CHA36TSC	P1204104C
M19 - CHA42TSC	P1204105C
M20 - CHA48TSC	P1204106C
M21 - CHA54TSC	P1204107C
M22 - CHA57TSC	P1204108C
M23 - CHA60TSC	P1204109C

# Cabinet Assembly



# Cabinet Assembly

Ref. Part No:	No:	Description:	Ref. Part No:	No:	Description:
<i>Image 1:</i>			Expanded Model Nomenclature		
31	11081806Q	CABINET TOP ASSY (M4, M5)	M1 - CCA30FDC	P1203910C	
31	11081811Q	CABINET TOP ASSY (M1, M2, M3)	M2 - CCA36FDC	P1203911C	
41	11075802	SUPPORT RAIL-BLOWER (M1, M2, M3, M4, M5)	M3 - CCA42FDC	P1203912C	
51	11081305Q	FRONT PANEL ASSY (M1, M2, M3)	M4 - CCA48FDC	P1203913C	
51	11081306	FRONT PANEL ASSY (M4, M5)	M5 - CCA36FKC	P1203917C	
61	11082003	PIPING DOOR ASSY (M1, M2, M3, M4, M5)	M6 - CCA18FSC	P1204001C	
71	11081404Q	CABINET DOOR ASSY (M1, M2, M3)	M7 - CCA24FSC	P1204002C	
71	11081405Q	CABINET DOOR ASSY (M4, M5)	M8 - CCA30FSC	P1204003C	
81	11068624SPT	BLOWER CABINET (M1, M2, M3)	M9 - CCA36FSC	P1204004C	
81	11068626SPT	BLOWER CABINET (M4, M5)	M10 - CCA42FSC	P1204005C	
81	11074807	BLOWER CABINET (M1, M2, M3)	M11 - CCA48FSC	P1204006C	
81	11074810	BLOWER CABINET (M4, M5)	M12 - CCA54FSC	P1204007C	
91	10616502	BASEPAN (M4, M5, M12, M13, M14, M20, M21, M22, M23)	M13 - CCA57FSC	P1204008C	
91	10616603	BASEPAN (M6, M7, M8, M9, M10, M15, M16, M17, M18)	M14 - CCA60FSC	P1204009C	
91	10616604	BASEPAN (M1, M2, M3, M11, M19)	M15 - CHA18TSC	P1204101C	
121	1272400	EVAP ASSY (M5, M6, M14)	M16 - CHA24TSC	P1204102C	
121	1272401	EVAP ASSY (M7, M8, M15, M16)	M17 - CHA30TSC	P1204103C	
121	1272402	EVAP ASSY (M9, M17, M18)	M18 - CHA36TSC	P1204104C	
121	1272403	EVAP ASSY (M1, M4)	M19 - CHA42TSC	P1204105C	
121	1272404	EVAP ASSY (M2, M10)	M20 - CHA48TSC	P1204106C	
121	1272405	EVAP ASSY (M3, M11, M12, M14, M19, M20)	M21 - CHA54TSC	P1204107C	
121	1272406	EVAP ASSY (M13, M22, M23)	M22 - CHA57TSC	P1204108C	
131	11062022	EXPANSION VALVE (M15, M16)	M23 - CHA60TSC	P1204109C	
131	11062023	EXPANSION VALVE (M17, M18)			
131	11062024	EXPANSION VALVE (M19, M20, M21, M22, M23)			