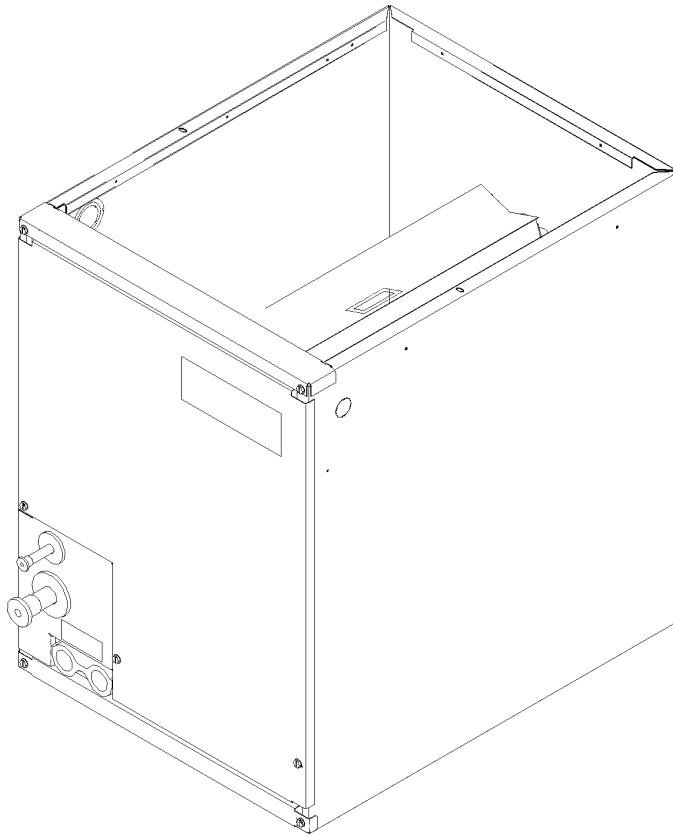


CHA*TCC/TXC and CCA*FCC Evaporator Coils

CCA18FCC	P1203901C
CCA24FCC	P1203902C
CCA30FCC	P1203903C
CCA36FCC	P1203904C
CCA42FCC	P1203905C
CCA48FCC	P1203906C
CCA54FCC	P1203907C
CCA57FCC	P1203908C
CCA60FCC	P1203909C
CHA18TCC	P1203801C
CHA24TCC	P1203802C
CHA24TXC	P1203810C
CHA30TCC	P1203803C
CHA30TXC	P1203811C
CHA36TCC	P1203804C
CHA36TXC	P1203812C
CHA42TCC	P1203805C
CHA42TXC	P1203813C
CHA48TCC	P1203806C
CHA54TCC	P1203807C
CHA57TCC	P1203808C
CHA60TCC	P1203809C
CHA60TXC	P1203814C



Important Information

Index

Functional Parts List	3
Illustration and Parts	4 - 5

Views shown are for parts illustrations only, not servicing procedures

Rev. 3: Corrected evap coil part numbers.

Text Codes:

AR - As Required

NA - Not Available

NS - Not Shown

00000000 - See Note

QTY - Quantity Example (QTY 3) (If Quantity not shown, Quantity = 1)

M - Model Example (M1) (If M Code not shown, then part is used on all Models)

Expanded Model Nomenclature:

Example M1 - Model#1 M2 - Model#2 M3 - Model#3

Goodman Company, L.P. is not responsible for personal injury or property damage resulting from improper service. Review all service information before beginning repairs.

Warranty service must be performed by an authorized technician, using authorized factory parts. If service is required after the warranty expires, Goodman Company, L.P. also recommends contacting an authorized technician and using authorized factory parts.

Goodman Company, L.P. reserves the right to discontinue, or change at any time, specifications or designs without notice or without incurring obligations.

For assistance within the U.S.A. contact:

Consumer Affairs Department
Goodman Company, L.P.
7401 Security Way
Houston, Texas 77040
877-254-4729-Telephone
713-863-2382-Facsimile

For assistance outside the U.S.A. contact:

International Division
Goodman Company, L.P.
7401 Security Way
Houston, Texas 77040
713-861-2500-Telephone
713-863-2382-Facsimile

Functional Parts

**Part
No:**

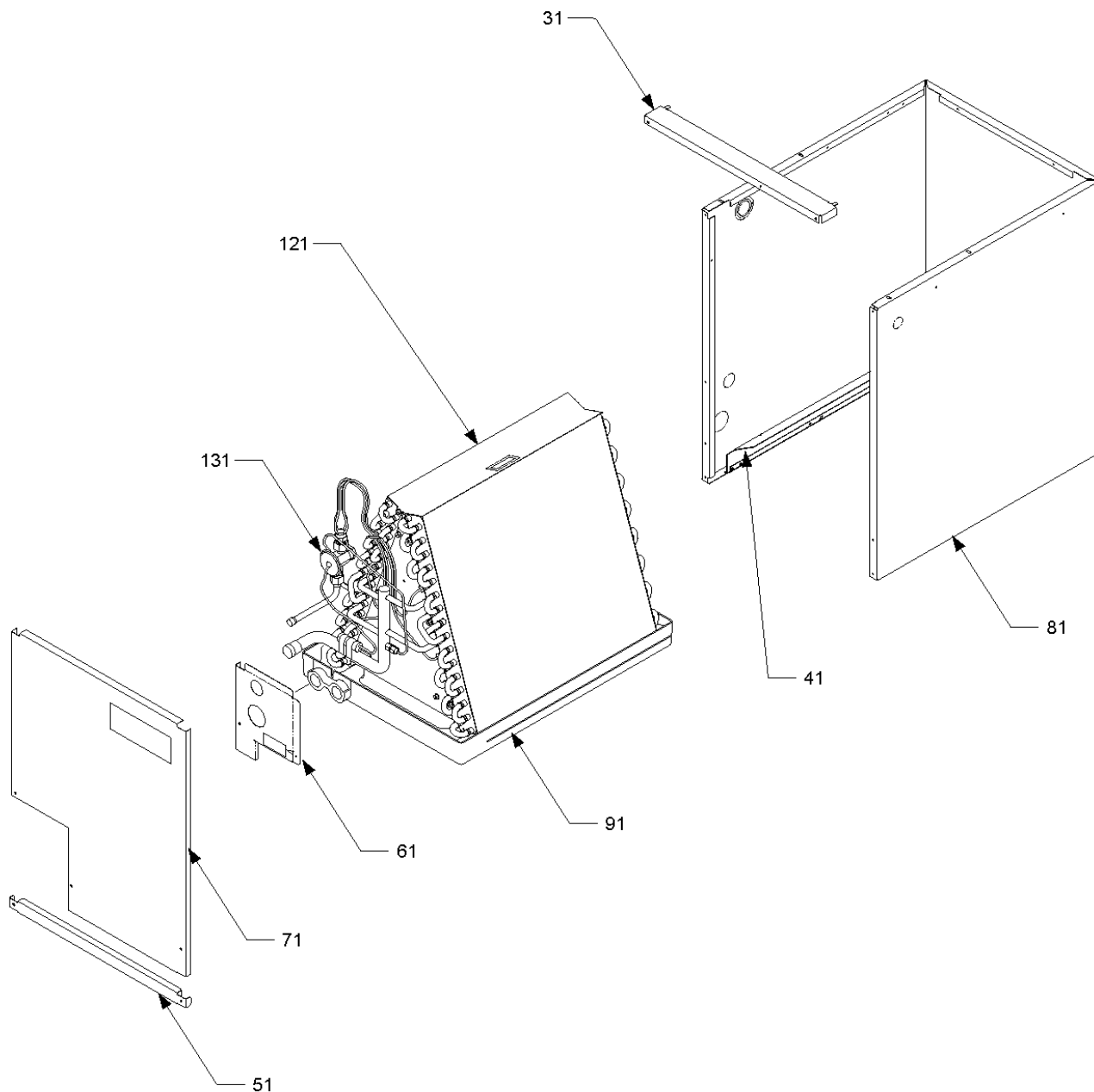
Description:

Expanded Model Nomenclature

1272400	EVAP ASSY (M1, M15, M16)	M1 - CHA18TCC	P1203801C
1272401	EVAP ASSY (M2, M3, M10, M11, M17, M18)	M2 - CHA24TCC	P1203802C
1272402	EVAP ASSY (M4, M12, M19)	M3 - CHA30TCC	P1203803C
1272404	EVAP ASSY (M5, M13, M20)	M4 - CHA36TCC	P1203804C
1272405	EVAP ASSY (M6, M7, M21, M22)	M5 - CHA42TCC	P1203805C
1272406	EVAP ASSY (M8, M9, M14, M23)	M6 - CHA48TCC	P1203806C
11062024	EXPANSION VALVE (M5, M6, M7, M8, M9, M13, M14)	M7 - CHA54TCC	P1203807C
11062022	EXPANSION VALVE (M1, M2, M10)	M8 - CHA57TCC	P1203808C
11062023	EXPANSION VALVE (M3, M4, M11, M12)	M9 - CHA60TCC	P1203809C
11076301	PISTON-ORIFICE 0512 (M15)	M10 - CHA24TXC	P1203810C
11076303	PISTON-ORIFICE 0591 (M16)	M11 - CHA30TXC	P1203811C
11076317	PISTON-ORIFICE 0650 (M17)	M12 - CHA36TXC	P1203812C
11076318	PISTON-ORIFICE 0710 (M18)	M13 - CHA42TXC	P1203813C
11076309	PISTON-ORIFICE 0760 (M19)	M14 - CHA60TXC	P1203814C
OBSOLETE	PISTON-ORIFICE 0846 (M20, M21)	M15 - CCA18FCC	P1203901C
11076314	PISTON-ORIFICE 0925 (M22, M23)	M16 - CCA24FCC	P1203902C
A4692801	VALVE CORE	M17 - CCA30FCC	P1203903C
		M18 - CCA36FCC	P1203904C
		M19 - CCA42FCC	P1203905C
		M20 - CCA48FCC	P1203906C
		M21 - CCA54FCC	P1203907C
		M22 - CCA57FCC	P1203908C
		M23 - P1203909C	P1203909C
SPECIAL PARTS			
10618422	INSTALLATION INSTRUCTIONS		
RP6230006	REPAIR PARTS MANUAL		

THIS PAGE INTENTIONALLY LEFT BLANK

Cabinet Assembly



Cabinet Assembly

Ref Part No:	Description:	Ref. Part No:	Description:
<i>Image 1:</i>		121 1272405	EVAP ASSY (M6, M7, M21, M22)
31 11081804	CABINET TOP ASSY (M1, M2, M3, M4, M15, M16, M17, M18, M19)	121 1272406	EVAP ASSY (M8, M9, M14, M23)
31 11081806	CABINET TOP ASSY (M6, M7, M8, M21, M22, M23)	131 11062022	EXPANSION VALVE (M1, M2, M10)
31 11081810	CABINET TOP ASSY (M10, M11, M12)	131 11062023	EXPANSION VALVE (M3, M4, M11, M12)
31 11081811	CABINET TOP ASSY (M13)	131 11062024	EXPANSION VALVE (M5, M6, M7, M8, M9, M13, M14)
31 11081812	CABINET TOP ASSY (M14)	NS 10801106	DUCT FLANGE (M1, M2, M3, M4, M10, M11, M12, M15, M16, M17, M18, M19)
31 11081822	CABINET TOP ASSY (M5, M20)	Expanded Model Nomenclature	
31 11081823	CABINET TOP ASSY (M9)	M1 - CHA18TCC	P1203801C
41 11075802	RAIL-BLOWER SUPPORT (QTY 2)	M2 - CHA24TCC	P1203802C
51 11081304	FRONT PANEL ASSY (M1, M2, M3, M4, M15, M16, M17, M18, M19)	M3 - CHA30TCC	P1203803C
51 11081306	FRONT PANEL ASSY (M6, M7, M8, M21, M22, M23)	M4 - CHA36TCC	P1203804C
51 11081310	FRONT PANEL ASSY (M10, M11, M12)	M5 - CHA42TCC	P1203805C
51 11081311	FRONT PANEL ASSY (M13)	M6 - CHA48TCC	P1203806C
51 11081312	FRONT PANEL ASSY (M14)	M7 - CHA54TCC	P1203807C
51 11081322	FRONT PANEL ASSY (M5, M20)	M8 - CHA57TCC	P1203808C
51 11081323	FRONT PANEL ASSY (M9)	M9 - CHA60TCC	P1203809C
61 11082003	PIPING DOOR ASSY (M1, M2, M3, M4, M6, M7, M8, M15, M16, M17, M18, M19, M21, M22, M23)	M10 - CHA24TXC	P1203810C
61 11082004	PIPING DOOR ASSY (M10, M11, M12, M13, M14)	M11 - CHA30TXC	P1203811C
61 11082007	PIPING DOOR ASSY (M5, M9, M20)	M12 - CHA36TXC	P1203812C
71 11081401	CABINET DOOR ASSY (M1, M15, M16)	M13 - CHA42TXC	P1203813C
71 11081402	CABINET DOOR ASSY (M2, M3, M17, M18)	M14 - CHA60TXC	P1203814C
71 11081403	CABINET DOOR ASSY (M4, M19)	M15 - CCA18FCC	P1203901C
71 11081405	CABINET DOOR ASSY (M6, M7, M8, M21, M22, M23)	M16 - CCA24FCC	P1203902C
71 11081417	CABINET DOOR ASSY (M10, M11)	M17 - CCA30FCC	P1203903C
71 11081418	CABINET DOOR ASSY (M12)	M18 - CCA36FCC	P1203904C
71 11081419	CABINET DOOR ASSY (M13)	M19 - CCA42FCC	P1203905C
71 11081420	CABINET DOOR ASSY (M14)	M20 - CCA48FCC	P1203906C
71 11081433	CABINET DOOR ASSY (M5, M20)	M21 - CCA54FCC	P1203907C
71 11081434	CABINET DOOR ASSY (M9)	M22 - CCA57FCC	P1203908C
71 10801107	DUCT FLANGE (QTY 2)	M23 - P1203909C	P1203909C
81 11068619	BLOWER CABINET (M2, M3, M10, M11, M17, M18)		
81 11068621	BLOWER CABINET (M1, M15, M16)		
81 11068623	BLOWER CABINET (M4, M12, M19)		
81 11068625	BLOWER CABINET (M5, M13, M20)		
81 11068627	BLOWER CABINET (M6, M7, M8, M9, M14, M21, M22, M23)		
91 10616502	DRAIN PAN (M6, M7, M8, M9, M14, M21, M22, M23)		
91 10616603	DRAIN PAN (M1, M2, M3, M4, M10, M11, M12, M15, M16, M17, M18, M19)		
91 10616604	DRAIN PAN (M5, M13, M20)		
121 1272400	EVAP ASSY (M1, M15, M16)		
121 1272401	EVAP ASSY (M2, M3, M10, M11, M17, M18)		
121 1272402	EVAP ASSY (M4, M12, M19)		
121 1272404	EVAP ASSY (M5, M13, M20)		